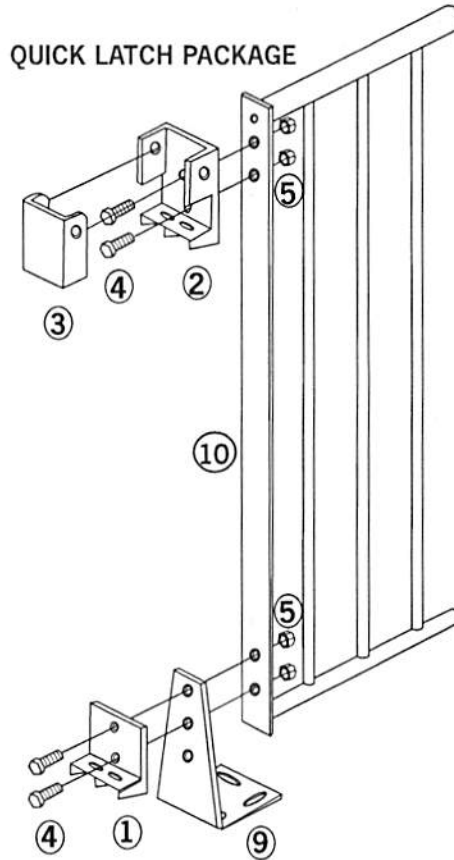
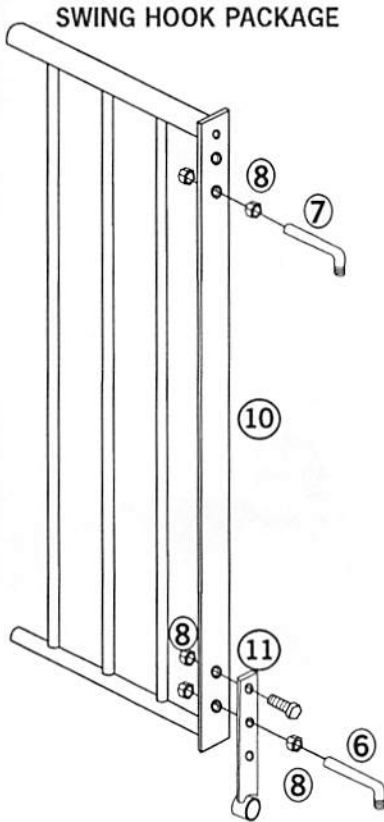


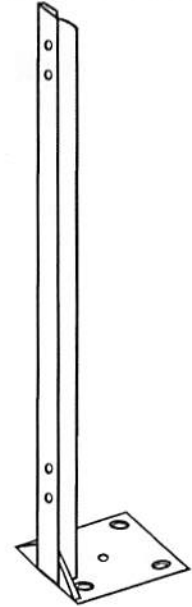
# SWING HOOK & QUICK LATCH PACKAGE



## ASSEMBLY

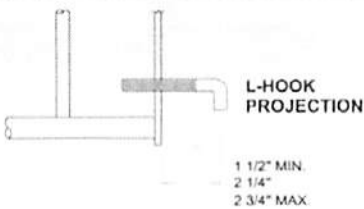


**2013310  
GALV. CHANNEL POST 41"  
+ PLATE**



For Spindle Applications in place of Leg (9)

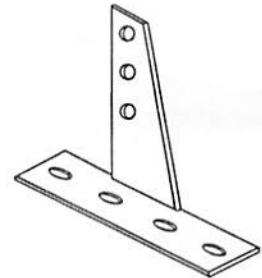
### L-HOOK PROJECTION



### SWING PANEL SIZING

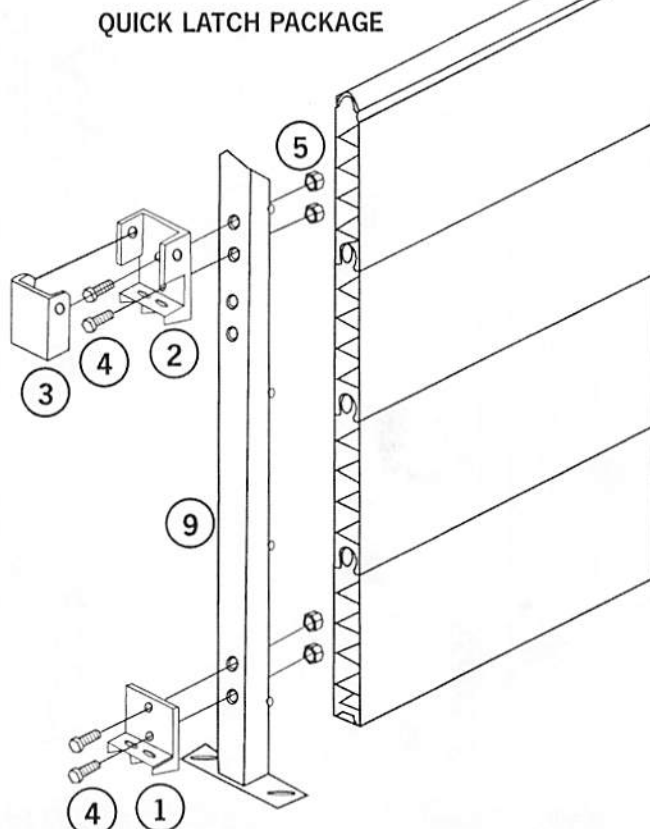
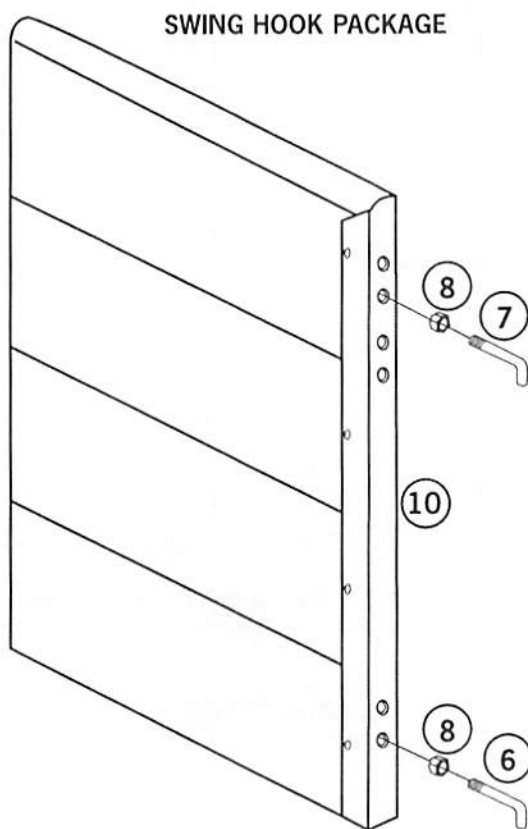
- Compared to pen width
- Measured O.C. latches
- 4 1/2" less than pen width
- 6" less than pen width
- 7" less than pen width

**2013308-5  
S.S. LEG PKG (12" PL) BX/5**



ILLUS.	DESCRIPTION	PART #	QTY/PKG.	PKG. NAME	NOTES
1	QUICK LATCH BOTTOM MOUNT		4		
2	QUICK LATCH TOP MOUNT		4	QUICK LATCH PKG. PL (2010320-4)	GALV. QUICK LATCH USES 1" BOLTS FOR THE TOP AND 1 1/2" BOLTS FOR THE BOTTOM
3	SNAP-IN CHANNEL PC.		4	GALV (2010300-4)	
4	1/2" X 1 1/2" HEX BOLT	BOL1/2-11/2H	8		
5	1/2" LOCK NUT	NUT1/2L	8		
6	PANEL L-HOOK/LONG	2010310	10	SWING HOOK PKG. (2010340-5)	LONG L-HOOK (1 1/8" BEND) GOES TO BOTTOM SHORT L-HOOK (3/4" BEND) GOES TO TOP
7	PANEL L-HOOK/SHORT	2010311	10		
8	1/2" FLANGE NUT	NUT1/2F	20		
9	LEG, STAINLESS STEEL	2013306L			
10	PANEL, FINISHER	2011V42 SERIES			FINISHER PANELS (FASTEN LEG - USE TOP 2 HOLES) 1 1/2" BOTTOM MOUNT BOLTS c/w LEG PKG.
11	SWING PANEL SUPPORT + BOLT	2013309			

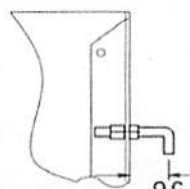
## ASSEMBLY



ILLUS.	DESCRIPTION	PART #	QTY. PER PKG.	PKG. NAME	NOTES
1	QUICK LATCH BOTTOM MOUNT		4	QUICK LATCH PKG. PL (2010320-4) GALV (2010300-4)	GALV. QUICK LATCH USES 1" BOLTS FOR THE TOP AND 1 1/2" BOLTS FOR THE BOTTOM.
2	QUICK LATCH TOP MOUNT		4		
3	SNAP-IN CHANNEL PC.		4		
4	1/2" X 1 1/2" HEX BOLT	BOL1/2-11/2H	16		
5	1/2" LOCK NUT	NUT1/2L	16		
6	PANEL L-HOOK / LONG	2010310	2	SWING HOOK PKG. 2012340	LONG L-HOOK (1 1/8" BEND) GOES TO BOTTOM. SHORT L-HOOK (3/4" BEND) GOES TO TOP.
7	PANEL L-HOOK / SHORT	2010311	2		
8	1/2" FLANGE NUT	NUT1/2F	4		
9	SS CHANNEL 31" LG. + PLATE	2013329PL	STATIONARY		
9	SS CHANNEL 41" LG. + PLATE	2013336PL	STATIONARY		
N/S	SS CHANNEL / WEANER 31"	2013329	STATIONARY		
N/S	SS CHANNEL FINISHER 41"	2013336	STATIONARY		
10	SS CHANNEL / WEANER 31"	2013329SW	SWING		
10	SS CHANNEL / WEANER 41"	2013336SW	SWING		

**NOTE:** Plastic latch to be used on nursery panel only

### POSITIONING OF L-HOOKS



#### L-HOOK PROJECTION

1 1/2" MIN.  
2 1/4" STD.  
2 3/4" MAX.

#### SWING PANEL SIZING

- COMPARED TO PEN WIDTH  
- MEASURED O.C. LATCHES  
4 1/2" LESS THAN PEN WIDTH  
6" LESS THAN PEN WIDTH  
7" LESS THAN PEN WIDTH