



REPLACEMENT PARTS

HRE BLOWERS

9110961

HRE-13 BLOWER, CW

9110962

HRE-16 BLOWER, CW

9110963

HRE-20 BLOWER, CW



WWW.CANARM.COM

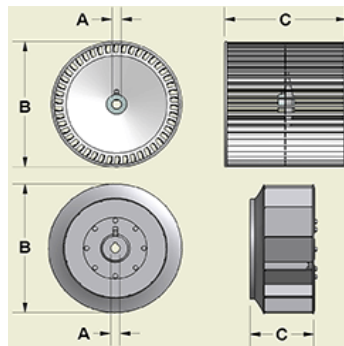
HVACSALES@CANARM.CA

CANARM.... PROVIDING CUSTOMERS WITH VALUE, KNOWLEDGE AND QUALITY PRODUCTS

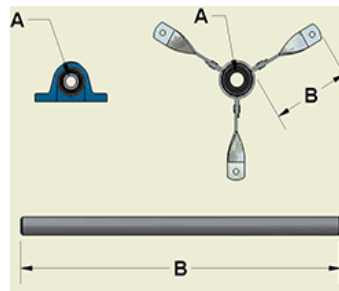


HRE - 9110961 - HRE-13 BLOWER, CW

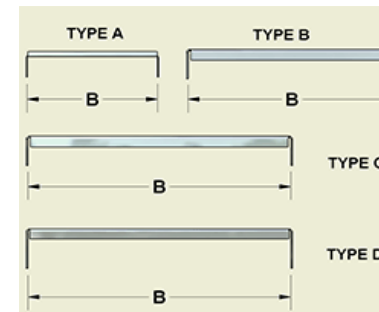
Item Number	Description	Qty Required	Dimensions			
			A	B	C	D
6032017	Wheel, BI-13 X 1, CW	1	1"	13-1/2"	5-11/32"	CW
2100454	Shaft, 1 X 19, 2KWY	1	1"	19"		2 KwY
8100003	Cast Iron Pillow Block Bearing, 1 (NTN)	2	1"			
6250120	V-CAP ASSY HRE-13	1				
7010131	Parts Bag HRE-13/20	1				
8830038	HRE-13/16/20 Isolator - Bolts 3/8-16 x 1-1/2"	4				
8860080	HRE-13/16/20 Vibration Isolators	4				



Wheel



Bearing, Bearing Bracket and Shaft

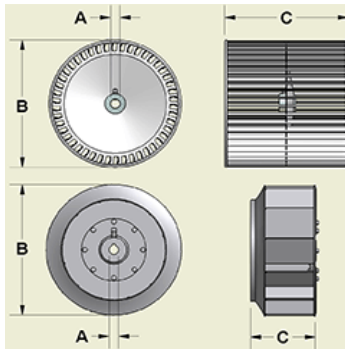


Motor Mount Brackets

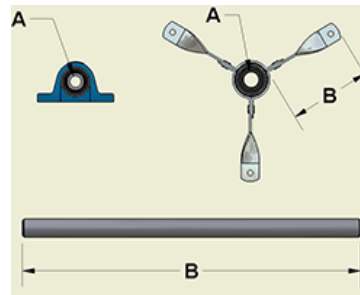


HRE - 9110962 - HRE-16 BLOWER, CW

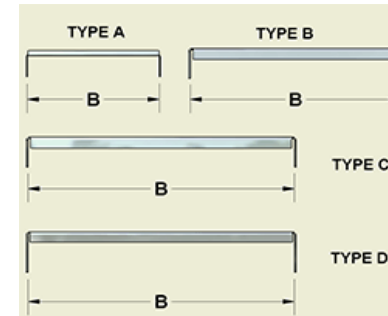
Item Number	Description	Qty Required	Dimensions			
			A	B	C	D
6032028	Wheel, BI-16 X 1-3/16, CW	1	1-3/16"	16-1/2"	6-1/2"	CW
2100456	Shaft, 1-3/16 X 22-1/4, 2KWY	1	1-3/16"	22-1/4"		2 KwY
8100004	Cast Iron Pillow Block Bearing, 1-3/16 (NTN)	2	1-3/16"			
6250121	V-CAP ASSY HRE-16	1				
7010131	Parts Bag HRE-13/20	1				
8830038	HRE-13/16/20 Isolator - Bolts 3/8-16 x 1-1/2"	4				
8860080	HRE-13/16/20 Vibration Isolators	4				



Wheel



Bearing, Bearing Bracket and Shaft

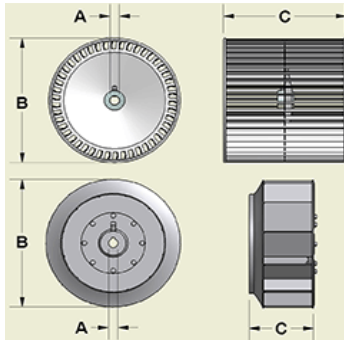


Motor Mount Brackets

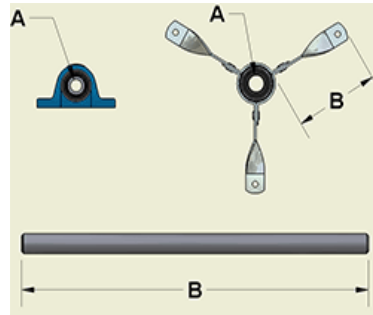


HRE - 9110963 - HRE-20 BLOWER, CW

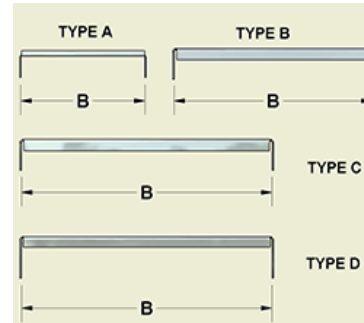
Item Number	Description	Qty Required	Dimensions			
			A	B	C	D
6032030	Wheel, BI-20 X 1-3/16, CW	1	1-3/16"	20"	7-23/32"	CW
2100456	Shaft, 1-3/16 X 22-1/4, 2KWY	1	1-3/16"	22-1/4"		2 KwY
8100004	Cast Iron Pillow Block Bearing, 1-3/16 (NTN)	2	1-3/16"			
6250122	V-CAP ASSY HRE-20	1				
7010131	Parts Bag HRE-13/20	1				
8830038	HRE-13/16/20 Isolator - Bolts 3/8-16 x 1-1/2"	4				
8860080	HRE-13/16/20 Vibration Isolators	4				



Wheel



Bearing, Bearing Bracket and Shaft



Motor Mount Brackets



Corporate Office/HVAC Manufacturing Facility
2157 Parkedale Avenue, PO Box 367
Brockville, Ontario K6V 5V6
Tel: (613) 342-5424 Fax: (613) 342-8437

www.canarm.com

hvacsales@canarm.ca