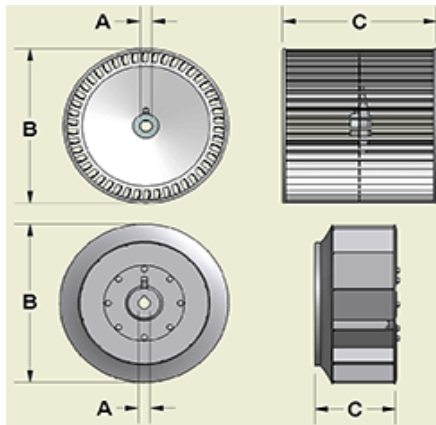
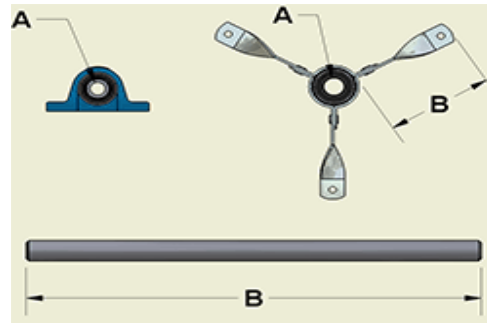


## G7-5 Double Inlet Belt Drive Blower - Part # 9005401

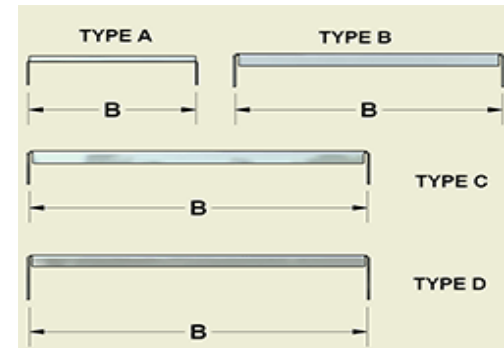
Item Number	Description	Qty Required	Dimensions			
			A	B	C	D
R-6030002	Wheel, G7-5BD-36-3/4-RH-LCD	1	3/4"	8-1/16"	4-15/16"	
R-2100330	Shaft, 3/4 X 11-1/2, 2KWY	1	3/4"	11-1/2"		2 Kw
R-B-6080001	Bearing Bracket Assembly, G7 B/B (c/w bearing and sleeve)	2	3/4"			
R-B-8100000	Ball Bearing and Rubber Sleeve, 3/4 RCR	2	3/4"			
R-B-3140001	Base Sides, G7 LH	1				
R-B-3140002	Base Sides, G7 RH	1				
R-B-6110031	Motor Bracket, G7-5,G9-5,G10-5	1		6-15/16" ID	Type - B	2 HP Max
R-B-7010007	Parts Bag G7/G12	1				
R-B-8860014	Rubber Grommets (#19)	4				



Wheel



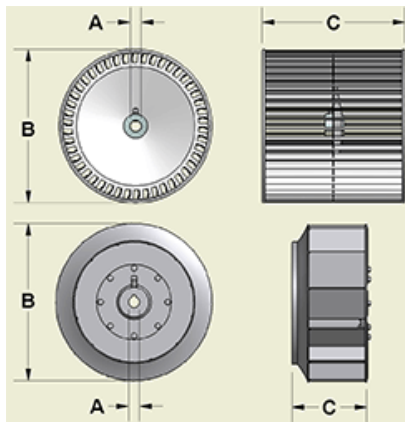
Bearing, Bearing Bracket and Shaft



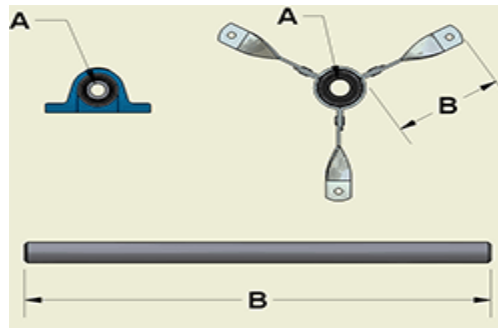
Motor Mount Brackets

## G7 Double Inlet Belt Drive Blower - Part # 9005405

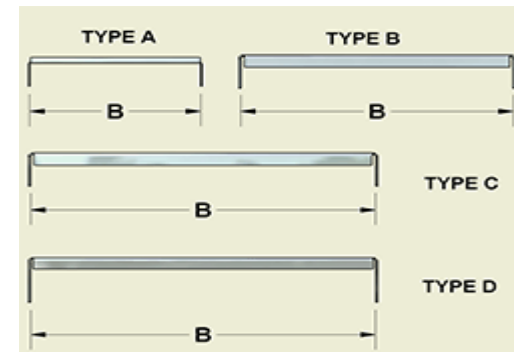
Item Number	Description	Qty Required	Dimensions			
			A	B	C	D
R-6030001	Wheel, G7BD-36-3/4-RH-LCD	1	3/4"	8-1/16"	7-3/16"	
R-2100241	Shaft, 3/4 X 14-3/16, 2KWY	1	3/4"	14-3/16"		2 Kw
R-B-6080001	Bearing Bracket Assembly, G7 B/B (c/w bearing and sleeve)	2	3/4"			
R-B-8100000	Ball Bearing and Rubber Sleeve, 3/4 RCR	2	3/4"			
R-B-3140001	Base Sides, G7 LH	1				
R-B-3140002	Base Sides, G7 RH	1				
R-B-6110032	Motor Bracket, G7,G12-7,G9-7,307	1		9-1/4" ID	Type - B	2 HP Max
R-B-7010007	Parts Bag G7/G12	1				
R-B-8860014	Rubber Grommets (#19)					



Wheel



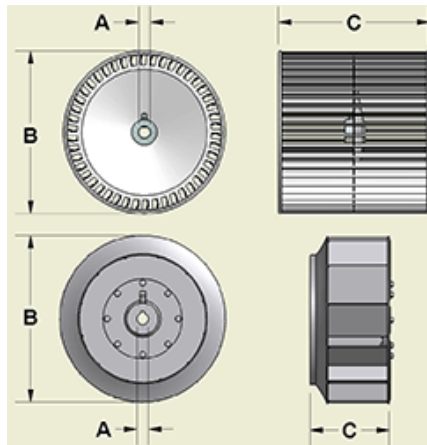
Bearing, Bearing Bracket and Shaft



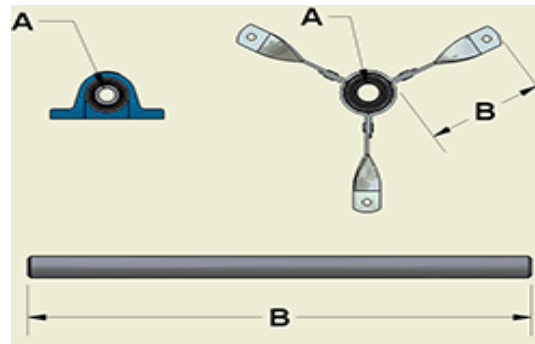
Motor Mount Brackets

## G9-7 Double Inlet Belt Drive Blower - Part # 9005417

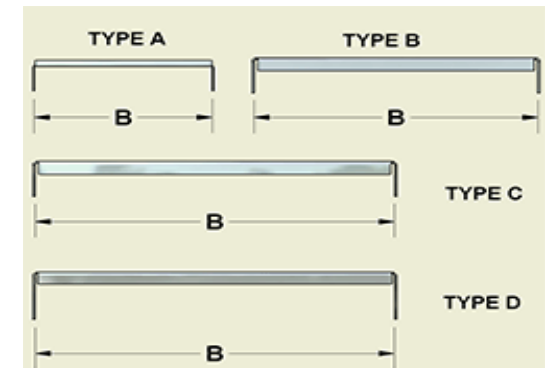
Item Number	Description	Qty Required	Dimensions			
			A	B	C	D
R-6030005	Wheel, G9-7BD-46-3/4-RH-LCD	1	3/4"	10-1/4"	7-3/16"	
R-2100241	Shaft, 3/4 X 14-3/16, 2KWY	1	3/4"	14-3/16"		2 KwY
R-B-6080002	Bearing Bracket Assembly, G9 B/B (c/w bearing and sleeve)	2	3/4"			
R-B-8100000	Ball Bearing and Rubber Sleeve, 3/4 RCR	2	3/4"			
R-B-3140003	Base Sides, G9 LH	1				
R-B-3140004	Base Sides, G9 RH	1				
R-B-6110032	Motor Bracket, G7,G12-7,G9-7,307	1		9-1/4" ID	Type - B	2 HP Max
R-B-7010007	Parts Bag G7/G12	1				
R-B-8860014	Rubber Grommets (#19)	4				



Wheel



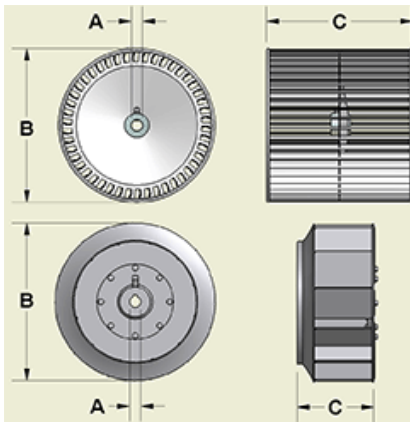
Bearing, Bearing Bracket and Shaft



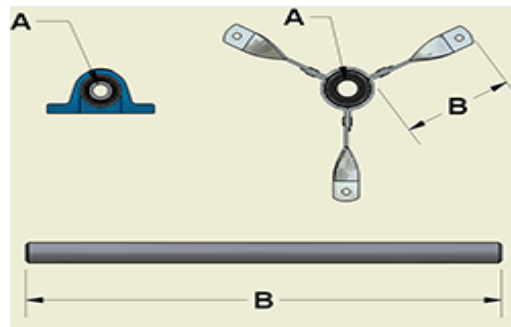
Motor Mount Brackets

## G9 Double Inlet Belt Drive Blower - Part # 9005421

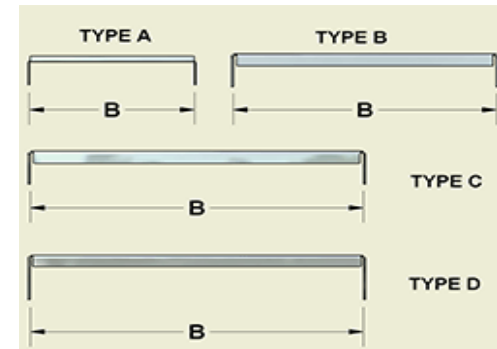
Item Number	Description	Qty Required	Dimensions			
			A	B	C	D
R-6030003	Wheel, G9BD-46-3/4-RH-LCD	1	3/4"	10-1/4"	9-9/16"	
R-2100391	Shaft, 3/4 X 16-5/16, 2KWY	1	3/4"	16-5/16"		2 KwY
R-B-6080002	Bearing Bracket Assembly, G9 B/B (c/w bearing and sleeve)	2	3/4"			
R-B-8100000	Ball Bearing and Rubber Sleeve, 3/4 RCR	2	3/4"			
R-B-3140003	Base Sides, G9 LH	1				
R-B-3140004	Base Sides, G9 RH	1				
R-B-6110027	Motor Bracket, G9,309,709,SIS-9, 9209V,9209-2V	1		11-7/8" ID	Type - B	2 HP Max
R-B-7010007	Parts Bag G7/G12	1				
R-B-8860014	Rubber Grommets (#19)	4				



Wheel



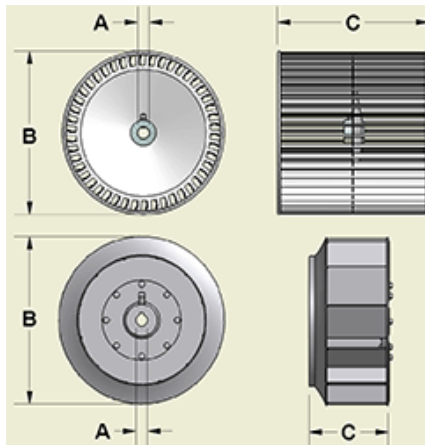
Bearing, Bearing Bracket and Shaft



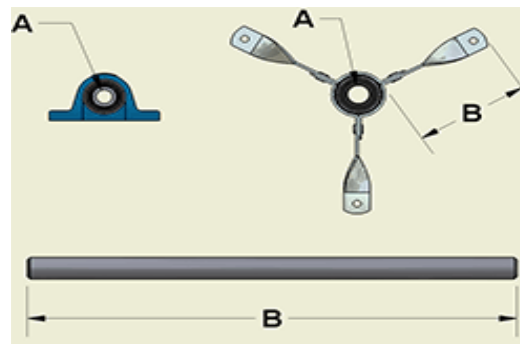
Motor Mount Brackets

## G10-8 Double Inlet Belt Drive Blower - Part # 9005437

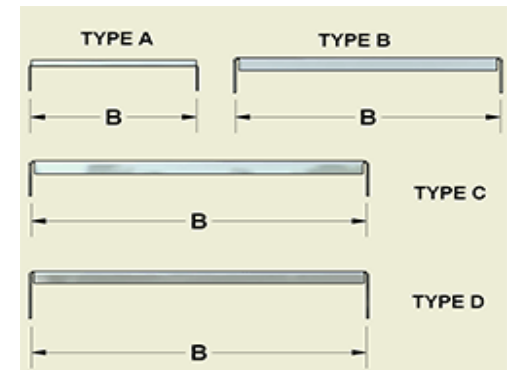
Item Number	Description	Qty Required	Dimensions			
			A	B	C	D
R-6030008	Wheel, G10-8BD-50-3/4-RH-LCD	1	3/4"	11-1/8"	8-1/16"	
R-2100329	Shaft, 3/4 X 15, 2KWY	1	3/4"	15"		2 KwY
R-B-6080003	Bearing Bracket Assembly, G10 B/B (c/w bearing and sleeve)	2	3/4"			
R-B-8100000	Ball Bearing and Rubber Sleeve, 3/4 RCR	2	3/4"			
R-B-3140007	Base Sides, G10 LH	1				
R-B-3140008	Base Sides, G10 RH	1				
R-B-6110018	Motor Bracket, G9-8,G10-8,GT10-8	1		10-9/16" ID	Type - B	2 HP Max
R-B-7010007	Parts Bag G7/G12	1				
R-B-8860014	Rubber Grommets (#19)	4				



Wheel



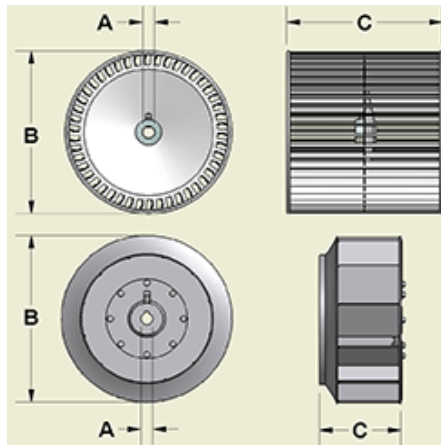
Bearing, Bearing Bracket and Shaft



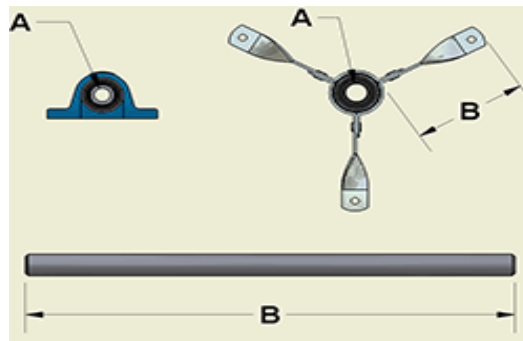
Motor Mount Brackets

## G10 Double Inlet Belt Drive Blower - Part # 9005441

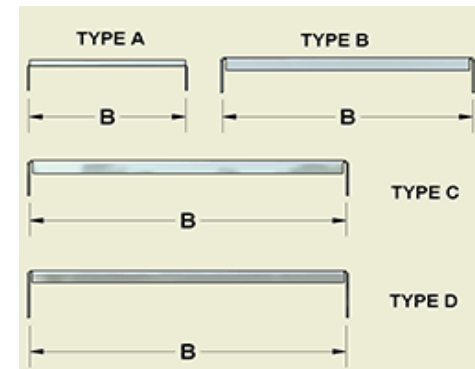
Item Number	Description	Qty Required	Dimensions			
			A	B	C	D
R-6030007	Wheel, G10BD-52-3/4-RH-LCD	1	3/4"	11-9/16"	10-13/16"	
R-2100392	Shaft, 3/4 X 17-5/8, 2KWY	1	3/4"	17-5/8"		2 KwY
R-B-6080003	Bearing Bracket Assembly, G10 B/B (c/w bearing and sleeve)	2	3/4"			
R-B-8100000	Ball Bearing and Rubber Sleeve, 3/4 RCR	2	3/4"			
R-B-3140007	Base Sides, G10 LH	1				
R-B-3140008	Base Sides, G10 RH	1				
R-B-6110015	Motor Bracket G10,310,710,SIS-10,GT10,9210-2V,9210V	1		13-3/16" ID	Type - B	2 HP Max
R-B-7010007	Parts Bag G7/G12	1				
R-B-8860014	Rubber Grommets (#19)	4				



Wheel



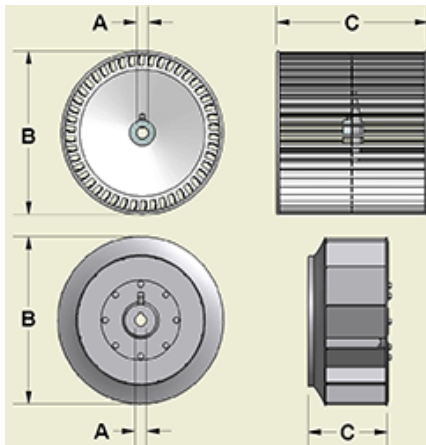
Bearing, Bearing Bracket and Shaft



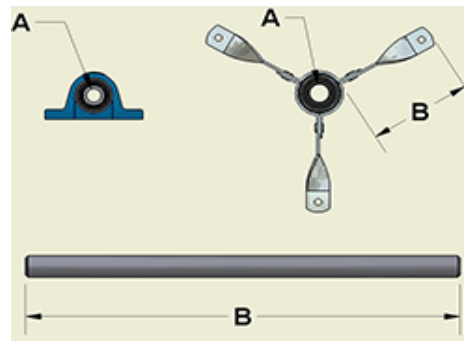
Motor Mount Brackets

## G12 Double Inlet Belt Drive Blower - Part # 9005464

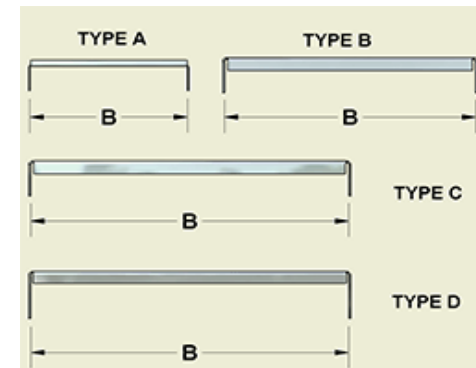
Item Number	Description	Qty Required	Dimensions			
			A	B	C	D
R-6030018	Wheel, G12BD-58-1-RH-RCD-LH-LCD	1	1"	12-7/8"	12-13/16"	
R-2100048	Shaft, 1 X 21-1/2, 2KWY	1	1"	21-1/2"		2 KwY
R-B-6080007	Bearing Bracket Assembly, G12 B/B (c/w bearing and sleeve)	2	1"			
R-B-8100001	Ball Bearing and Rubber Cushion, 1" RCR/RCSM	2	1"			
R-B-3140012	Base Sides, G12 LH	1				
R-B-3140013	Base Sides, G12 RH	1				
R-B-6110001	Motor Bracket G12,312,712,SIS-12,GT12	1		15-7/8" ID	Type - B	2 HP Max
R-B-7010007	Parts Bag G7/G12	1				
R-B-8860014	Rubber Grommets (#19)	4				



Wheel



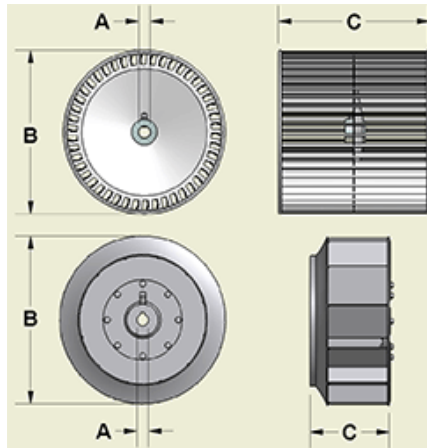
Bearing, Bearing Bracket and Shaft



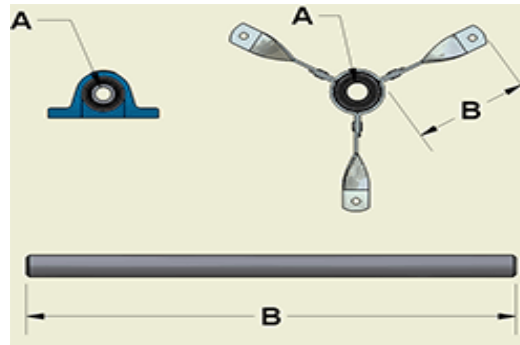
Motor Mount Brackets

## G15-10 Double Inlet Belt Drive Blower - Part # 9005477

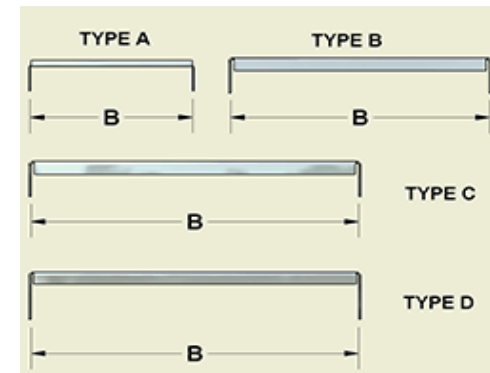
Item Number	Description	Qty Required	Dimensions			
			A	B	C	D
R-6030021	Wheel, G15-10BD-70-1-RH-RCD-LH-LCD	1	1"	15-1/2"	10-13/16"	
R-2100259	Shaft, 1 X 22, 2KWY @ 2	1	1"	22"		2 KwY
R-B-6080008	Bearing Bracket Assembly, G15 B/B (c/w bearing and sleeve)	2	1"			
R-B-8100001	Ball Bearing and Rubber Cushion, 1" RCR/RCSM	2	1"			
R-B-3140014	Base Sides, G15 RH	1				
R-B-3140015	Base Sides, G15 LH	1				
R-B-6110000	Motor Bracket, G15-10	1		14-3/4" ID	Type - B	2 HP Max
R-B-7010037	Parts Bag G15/G18	1				
R-B-8860014	Rubber Grommets (#19)	4				



Wheel



Bearing, Bearing Bracket and Shaft

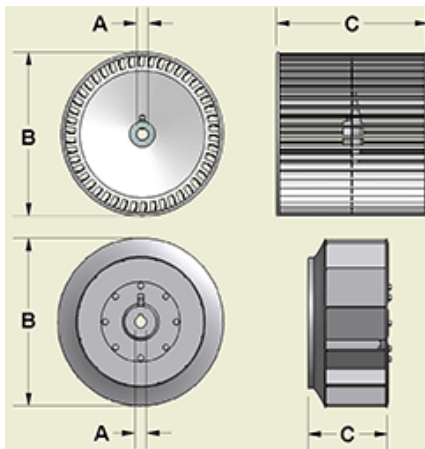


Motor Mount Brackets

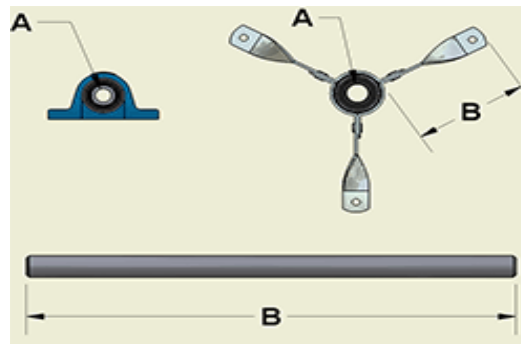


## G15 Double Inlet Belt Drive Blower - Part # 9005478

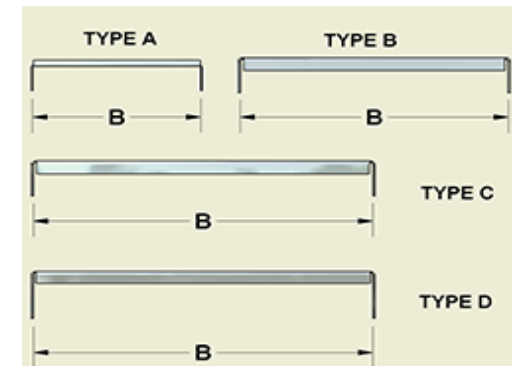
Item Number	Description	Qty Required	Dimensions			
			A	B	C	D
R-6030028	Wheel, G15BD-70-1-RH-RCD-LH-LCD	1	1"	15-1/2"	15-1/16"	
R-2100056	Shaft, 1 X 25, 2KWY	1	1"	25"		2 KwY
R-B-6080008	Bearing Bracket Assembly, G15 B/B (c/w bearing and sleeve)	2	1"			
R-B-8100001	Ball Bearing and Rubber Cushion, 1" RCR/RCSM	2	1"			
R-B-3140014	Base Sides, G15 RH	1				
R-B-3140015	Base Sides, G15 LH	1				
R-B-6110002	Motor Bracket G15	1		18-11/16 IN	Type - C	3 HP Max
R-B-7010037	Parts Bag G15/G18	1				
R-B-8860014	Rubber Grommets (#19)	4				



Wheel



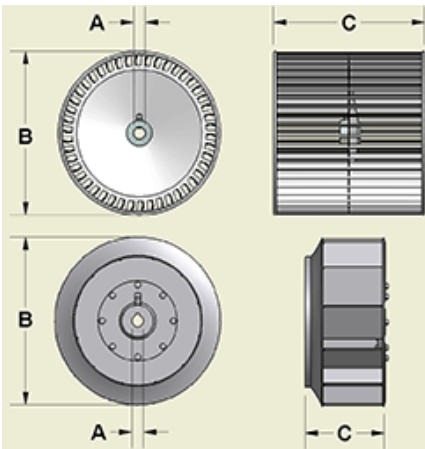
Bearing, Bearing Bracket and Shaft



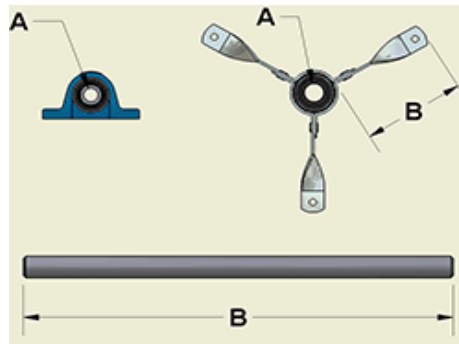
Motor Mount Brackets

## G18 Double Inlet Belt Drive Blower - Part # 9005493

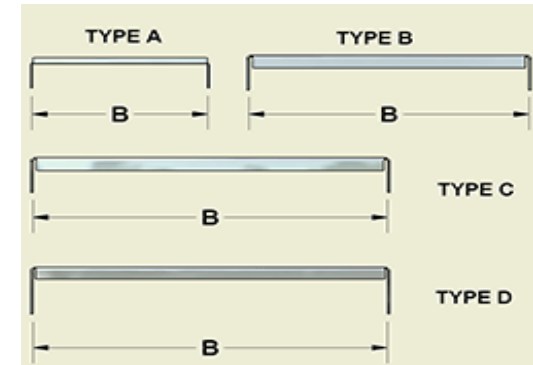
Item Number	Description	Qty Required	Dimensions			
			A	B	C	D
R-6030031	Wheel, G18BD-52-1-RH-RCD-LH-LCD	1	1"	18-1/2"	18-1/2"	
R-2100054	Shaft, 1 X 30-1/8, 2KWY	1	1"	32-1/8"		2 Kwy
R-B-6080009	Bearing Bracket Assembly, G18 B/B, HD (c/w bearing and sleeve)	2	1"			
R-B-8100001	Ball Bearing and Rubber Cushion, 1" RCR/RCSM	2	1"			
R-B-3140016	Base Sides, G18 LH/RH	2				
R-B-6110003	Motor Bracket G18	1		21-15/16 in	Type - C	3 HP Max
R-B-7010037	Parts Bag G15/G18	1				
R-B-8860014	Rubber Grommets (#19)	4				



Wheel



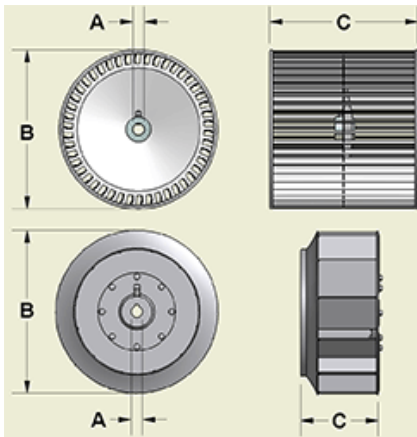
Bearing, Bearing Bracket and Shaft



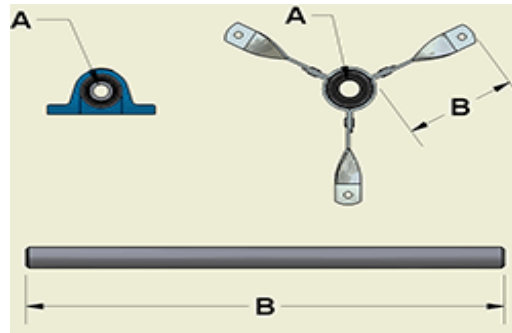
Motor Mount Brackets

## G12-9 Double Inlet Belt Drive Blower - Part # 9005459

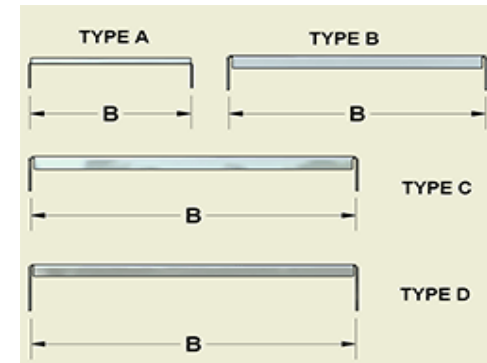
Item Number	Description	Qty Required	Dimensions			
			A	B	C	D
R-6030013	Wheel, G12-9BD-58-3/4-RH-RCD-LH-LCD	1	3/4"	12-7/8"	9-9/16"	
R-2100293	Shaft, 3/4 X 17-1/4, 2KWY	1	3/4"	17-1/4"		2 Kw
R-B-6080003	Bearing Bracket Assembly, G10 B/B (c/w bearing and sleeve)	2	3/4"			
R-B-8100000	Ball Bearing and Rubber Sleeve, 3/4 RCR	2	3/4"			
R-B-3140012	Base Sides, G12 LH	1				
R-B-3140013	Base Sides, G12 RH	1				
R-B-6110008	Motor Bracket , 415,G12-9	1		12-1/2" OD	Type - B	2 HP Max
R-B-7010007	Parts Bag G7/G12	1				
R-B-8860014	Rubber Grommets (#19)	4				



Wheel



Bearing, Bearing Bracket and Shaft



Motor Mount Brackets