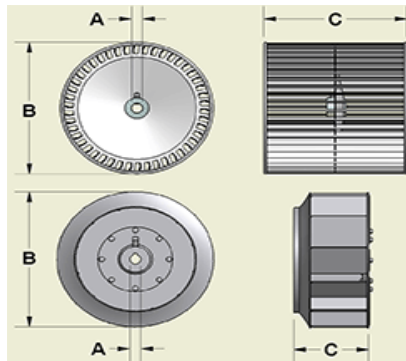
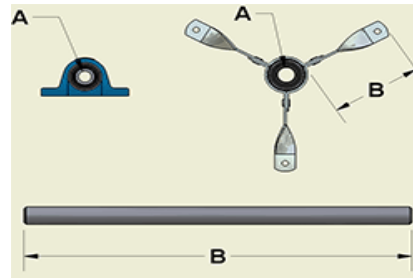


BIDI Series - 9120001 - BIDI-13 Utility Blower

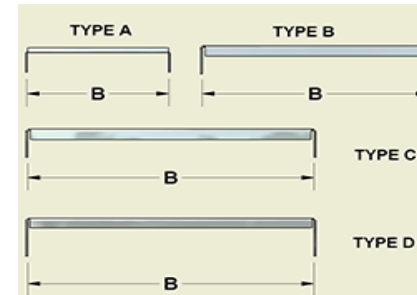
Item Number	Description	Qty Required	Dimensions			
			A	B	C	D
6033001	Wheel, BIDI-13 L.H.(CW)	1	1-7/16"	13-1/2"	5-11/32"	CW(LH)
6033002	Wheel, BIDI-13 R.H.	1	1-7/16"	13-1/2"	5-11/32"	CCW(RH)
2100108	Shaft, 1-7/16 X 31-3/4, 3KWY	1	1-7/16"	31-3/4"		3 Kwy
8100005	Cast Iron Pillow Block Bearing, 1-7/16 (NTN)	2	1-7/16"			
6210070	BIDI-13 Venturi (M) Weldment	2				



Wheel



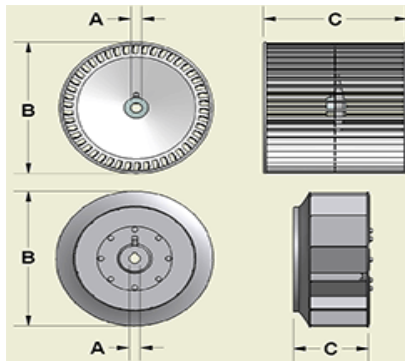
Bearing, Bearing Bracket and Shaft



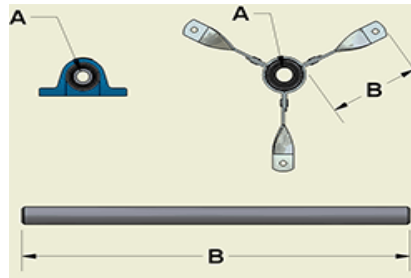
Motor Mount Brackets

BIDI Series - 9120002 - BIDI-16 Utility Blower

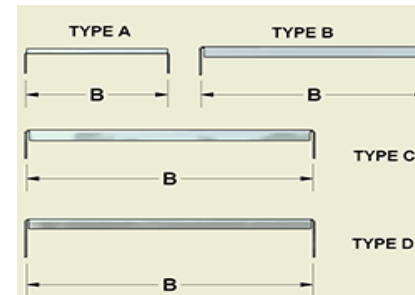
Item Number	Description	Qty Required	Dimensions			
			A	B	C	D
6033003	Wheel, BIDI-16 L.H.(CW)	1	1-11/16"	16-1/2"	6-1/2"	CW(LH)
6033004	Wheel, BIDI-16 R.H.	1	1-11/16"	16-1/2"	6-1/2"	CCW(RH)
2100109	Shaft, 1-11/16 X 37-5/8, 3KWY, 4-1/8~	1	1-11/16"	37-5/8"		3 Kwy
8100006	Cast Iron Pillow Block Bearing, 1-11/16 (NTN)	2	1-11/16"			
6210071	BIDI-16 Venturi (M) Weldment	2				



Wheel



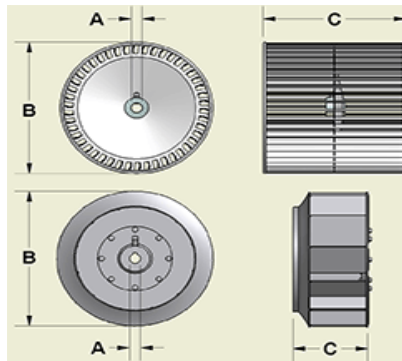
Bearing, Bearing Bracket and Shaft



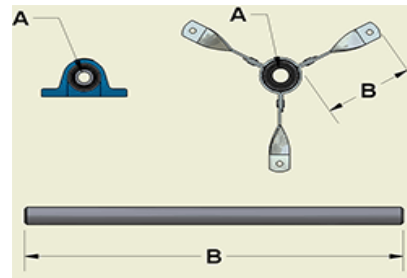
Motor Mount Brackets

BIDI Series - 9120003 - BIDI-18 Utility Blower

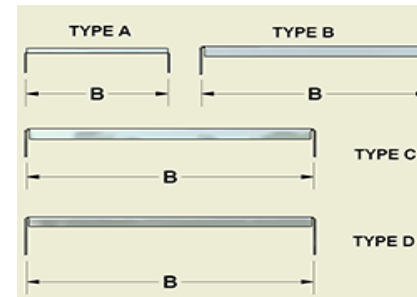
Item Number	Description	Qty Required	Dimensions			
			A	B	C	D
6033005	Wheel, BIDI-18 L.H.(CW)	1	1-11/16"	18-1/4"	7-3/64"	CW(LH)
6033006	Wheel, BIDI-18 R.H.	1	1-11/16"	18-1/4"	7-3/64"	CCW(RH)
2100110	Shaft, 1-11/16 X 39-7/8, 3KWY	1	1-11/16"	39-7/8"		3 Kwy
8100006	Cast Iron Pillow Block Bearing, 1-11/16 (NTN)	2	1-11/16"			
6210072	BIDI-18 Venturi (M) Weldment	2				



Wheel



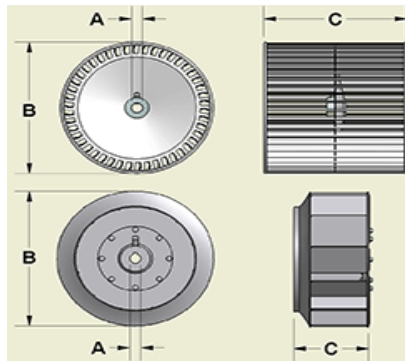
Bearing, Bearing Bracket and Shaft



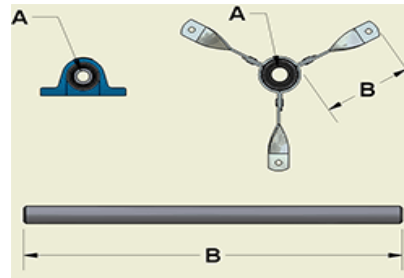
Motor Mount Brackets

BIDI Series - 9120004 - BIDI-20 Utility Blower

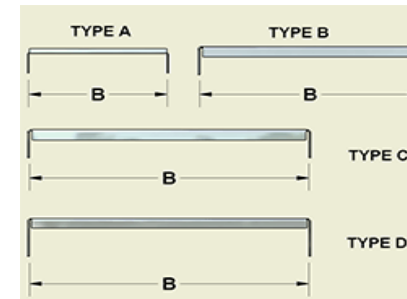
Item Number	Description	Qty Required	Dimensions			
			A	B	C	D
6033007	Wheel, BIDI-20 L.H.(CW)	1	1-11/16"	20"	7-23/32"	CW(LH)
6033008	Wheel, BIDI-20 R.H.	1	1-11/16"	20"	7-23/32"	CCW(RH)
2100111	Shaft, 1-11/16 X 42-1/8, 3KWY	1	1-11/16"	42-1/8"		3 Kwy
8100006	Cast Iron Pillow Block Bearing, 1-11/16 (NTN)	2	1-11/16"			
6210073	BIDI-20 Venturi (M) Weldment	2				



Wheel



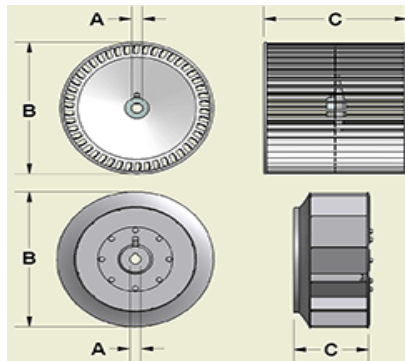
Bearing, Bearing Bracket and Shaft



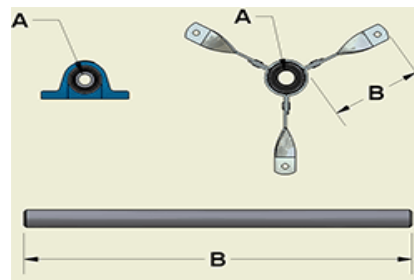
Motor Mount Brackets

BIDI Series - 9120005 - BIDI-22 Utility Blower

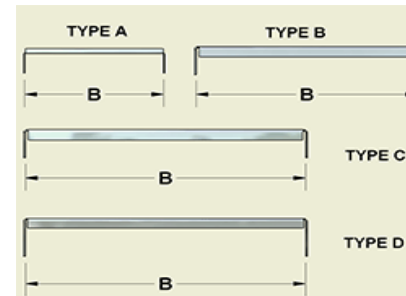
Item Number	Description	Qty Required	Dimensions			
			A	B	C	D
6033009	Wheel, BIDI-22 L.H.(CW)	1	2-1/4"	22-1/4"	8-19/32"	CW(LH)
6033010	Wheel, BIDI-22 R.H.	1	2-1/4"	22-1/4"	8-19/32"	CCW(RH)
2100112	Shaft, 2-1/4 X 46-3/4, 3KWY	1	2-1/4"	46-3/4"		3 Kwy
8100008	Cast Iron Pillow Block Bearing,2-1/4 (NTN)	2	2-1/4"			
6210074	BIDI-22 Venturi (M) Weldment	2				



Wheel



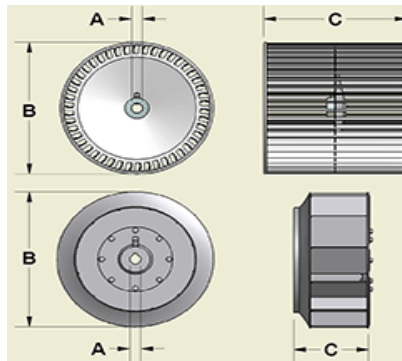
Bearing, Bearing Bracket and Shaft



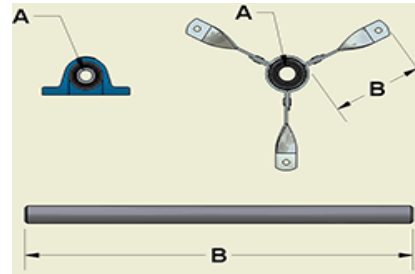
Motor Mount Brackets

BIDI Series - 9120006 - BIDI-24 Utility Blower

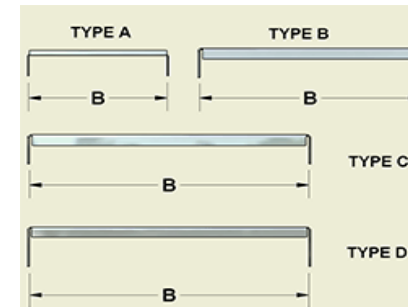
Item Number	Description	Qty Required	Dimensions			
			A	B	C	D
6033011	Wheel, BIDI-24 L.H.(CW)	1	2-1/4"	24-1/2"	9-7/16"	CW(LH)
6033012	Wheel, BIDI-24 R.H.	1	2-1/4"	24-1/2"	9-7/16"	CCW(RH)
2100113	Shaft, 2-1/4 X 49-3/4, 3KWY	1	2-1/4"	49-3/4"		3 Kwy
8100008	Cast Iron Pillow Block Bearing,2-1/4 (NTN)	2	2-1/4"			
6210075	BIDI-24 Venturi (M) Weldment	2				



Wheel



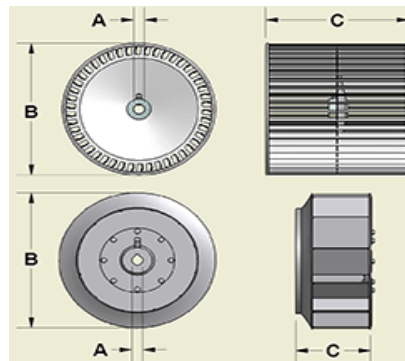
Bearing, Bearing Bracket and Shaft



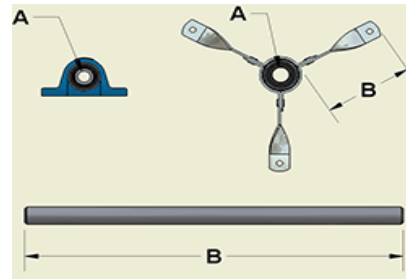
Motor Mount Brackets

BIDI Series - 9120010- BIDI-10 Utility Blower

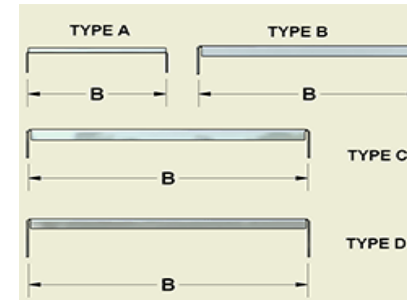
Item Number	Description	Qty Required	Dimensions			
			A	B	C	D
6033019	Wheel, BIDI-10 L.H.(CW)	1	1-3/16"	10-1/2"	5"	CW(LH)
6033020	Wheel, BIDI-10 R.H.	1	1-3/16"	10-1/2"	5"	CCW(RH)
2100387	Shaft, 1-3/16 X 29-1/4, 3KWY	2	1-3/16"	29-1/4"		3 Kwy
8100004	Cast Iron Pillow Block Bearing, 1-3/16 (NTN)	2	1-3/16"			
6210077	BIDI-10 Venturi (M) Weldment	4				



Wheel



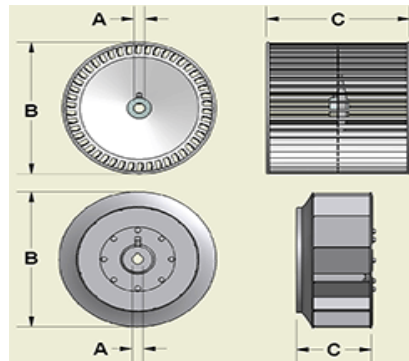
Bearing, Bearing Bracket and Shaft



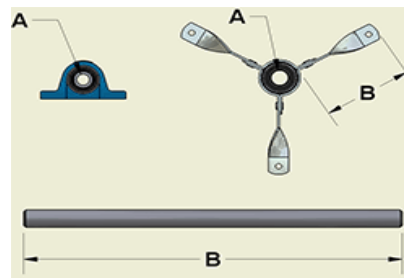
Motor Mount Brackets

BIDI Series - 9120011 - BIDI-12 Utility Blower

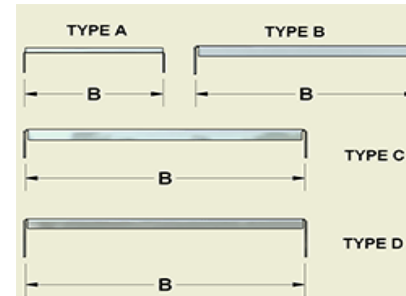
Item Number	Description	Qty Required	Dimensions			
			A	B	C	D
6033021	Wheel, BIDI-12 L.H.(CW)	1	1-7/16"	12-1/4"	5-1/4"	CW(LH)
6033022	Wheel, BIDI-12 R.H.	1	1-7/16"	12-1/4"	5-1/4"	CCW(RH)
2100108	Shaft, 1-7/16 X 31-3/4, 3KWY	1	1-7/16"	31-3/4"		3 Kwy
8100005	Cast Iron Pillow Block Bearing, 1-7/16 (NTN)	2	1-7/16"			
6210078	BIDI-12 Venturi (M) Weldment	2				



Wheel



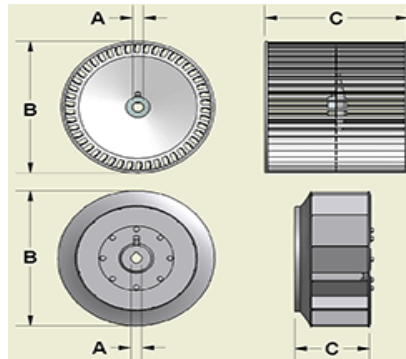
Bearing, Bearing Bracket and Shaft



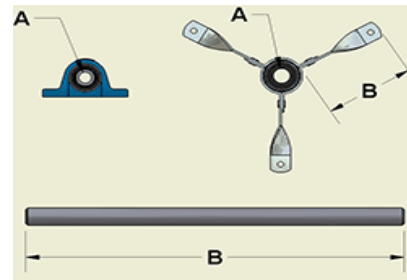
Motor Mount Brackets

BIDI Series - 9120012 - BIDI-15 Utility Blower

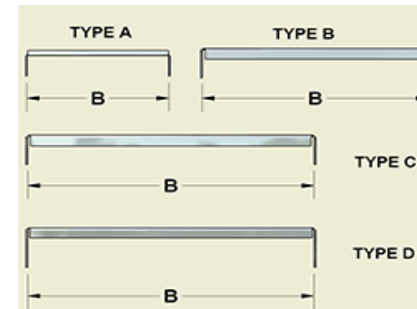
Item Number	Description	Qty Required	Dimensions			
			A	B	C	D
6033023	Wheel, BIDI-15 L.H.(CW)	1	1-7/16"	15"	5-9/16"	CW(LH)
6033024	Wheel, BIDI-15 R.H.	1	1-7/16"	15"	5-9/16"	CCW(RH)
2100386	Shaft, 1-7/16 X 34, 3KWY	1	1-7/16"	34"		3 Kwy
8100005	Cast Iron Pillow Block Bearing,1-7/16 (NTN)	2	1-7/16"			
6210079	BIDI-15 Venturi (M) Weldment	2				



Wheel



Bearing, Bearing Bracket and Shaft



Motor Mount Brackets