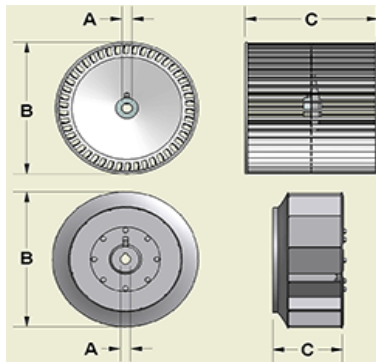
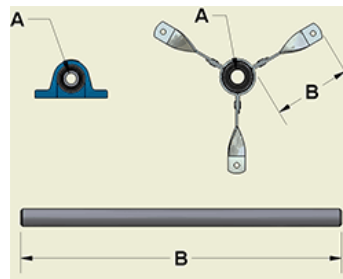


900 Series - 9090001 - 918 X 1 BHD Blower

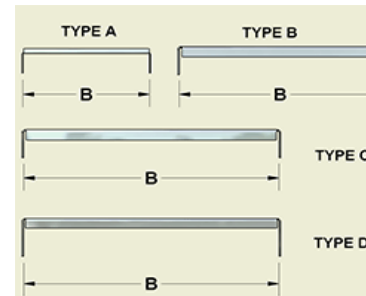
Item Number	Description	Qty Required	Dimensions			
			A	B	C	D
6039010	Wheel, G18BD-52-1-RH-RCD-LH-LCD	1	1"	18-1/2"	18-1/2"	
2100350	Shaft, 1 X 30-3/8, 2KWY, 1 SLAB	1	1"	30-3/8"		2Kwy,1Slab
8100003	Cast Iron Pillow Block Bearing,1 (NTN)	2	1"			



Wheel



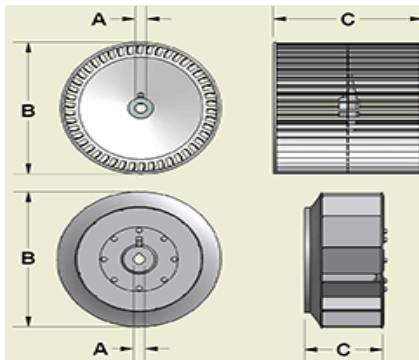
Bearing, Bearing Bracket and Shaft



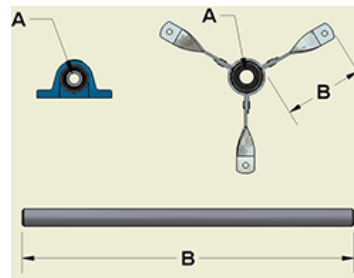
Motor Mount Brackets

900 Series - 9090002 - 920 X 1-3/16 BHD Blower

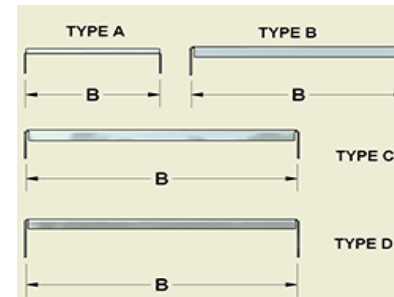
Item Number	Description	Qty Required	Dimensions			
			A	B	C	D
6031004	Wheel, 920 X 1-3/16 HUB X 88 BLADE	1	1-3/16"	20-3/4"	20-3/8"	
2100118	Shaft, 1-3/16 X 37-1/4, 3KWY	1	1-3/16"	37-1/4"		3 Kwy
8100004	Cast Iron Pillow Block Bearing, 1-3/16 (NTN)	2	1-3/16"			



Wheel



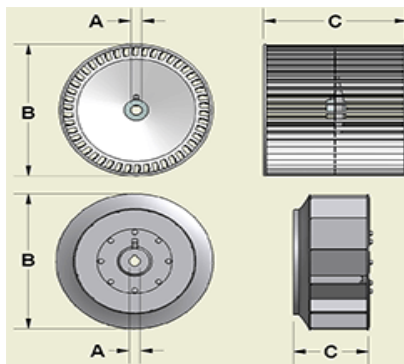
Bearing, Bearing Bracket and Shaft



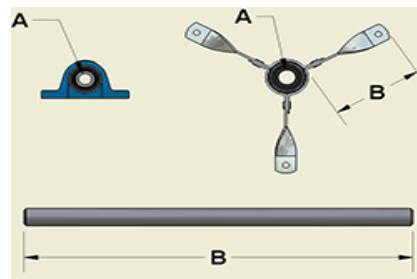
Motor Mount Brackets

900 Series - 9090003 - 920 X 1-7/16 BHD Blower

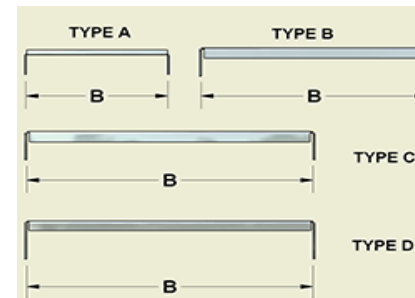
Item Number	Description	Qty Required	Dimensions			
			A	B	C	D
6031005	Wheel, 920 X 1-7/16 HUB X 88 BLADE	1	1-7/16"	20-3/4"	20-3/8"	
2100115	Shaft, 1-7/16 X 39-1/4, 3KWY	1	1-7/16"	39-1/4"		3 Kwy
8100005	Cast Iron Pillow Block Bearing, 1-7/16 (NTN)	2	1-7/16"			



Wheel



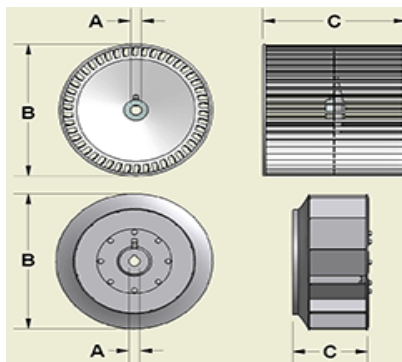
Bearing, Bearing Bracket and Shaft



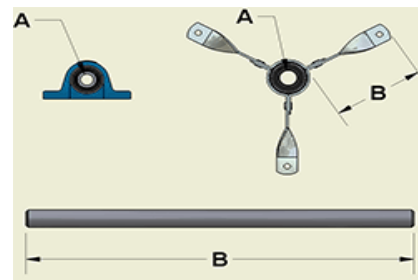
Motor Mount Brackets

900 Series - 9090004 - 922 X 1-3/16 BHD Blower

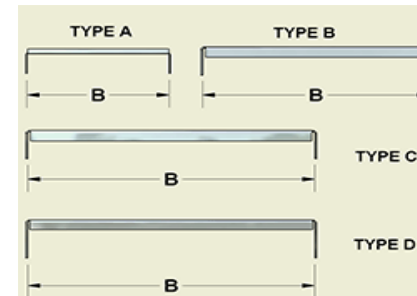
Item Number	Description	Qty Required	Dimensions			
			A	B	C	D
6031009	Wheel, 922 X 1-3/16 HUB X 92 BLADE	1	1-3/16"	22-1/4"	22-3/8"	
2100119	Shaft, 1-3/16 X 39-3/4, 3KWY	1	1-3/16"	39-3/4"		3 Kwy
8100004	Cast Iron Pillow Block Bearing, 1-3/16 (NTN)	2	1-3/16"			



Wheel



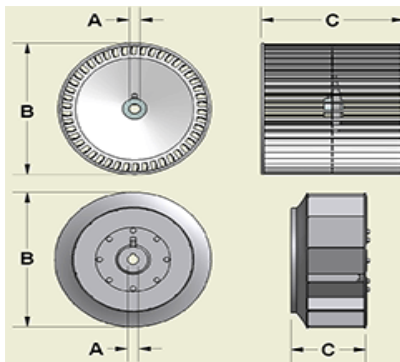
Bearing, Bearing Bracket and Shaft



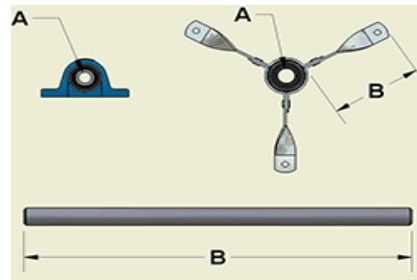
Motor Mount Brackets

900 Series - 9090005 - 922 X 1-7/16 BHD Blower

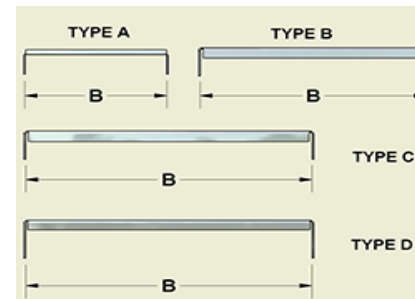
Item Number	Description	Qty Required	Dimensions			
			A	B	C	D
6031010	Wheel, 922 X 1-7/16 HUB X 92 BLADE	1	1-7/16"	22-1/4"	22-3/8"	
2100116	Shaft, 1-7/16 X 41-3/4, 3KWY	1	1-7/16"	41-3/4"		3 Kwy
8100005	Cast Iron Pillow Block Bearing, 1-7/16 (NTN)	2	1-7/16"			



Wheel



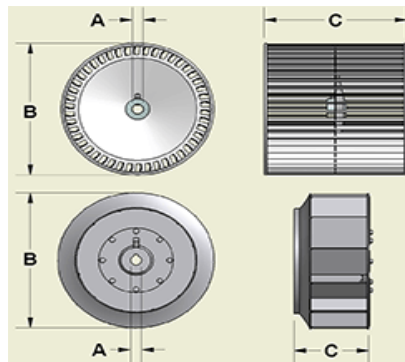
Bearing, Bearing Bracket and Shaft



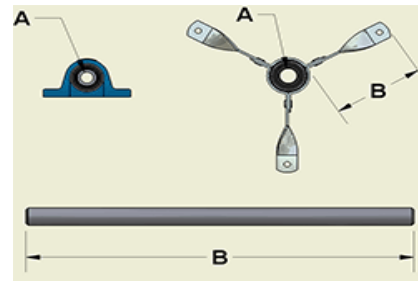
Motor Mount Brackets

900 Series - 9090006 - 925 X 1-3/16 BHD Blower

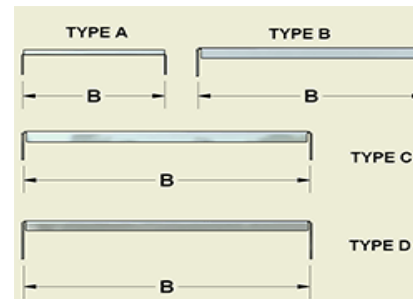
Item Number	Description	Qty Required	Dimensions			
			A	B	C	D
6031014	Wheel, 925 X 1-3/16 HUB X 108 BLADE	1	1-3/16"	26-1/16"	25-3/4"	
2100120	Shaft, 1-3/16 X 43-3/4, 3KWY	1	1-3/16"	43-3/4"		3 Kwy
8100004	Cast Iron Pillow Block Bearing, 1-3/16 (NTN)	2	1-3/16"			



Wheel



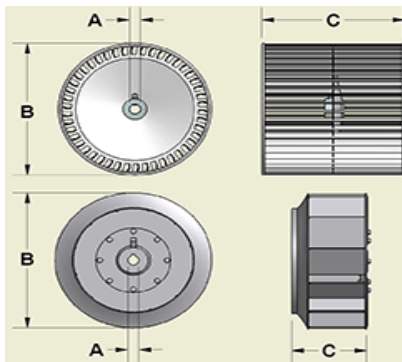
Bearing, Bearing Bracket and Shaft



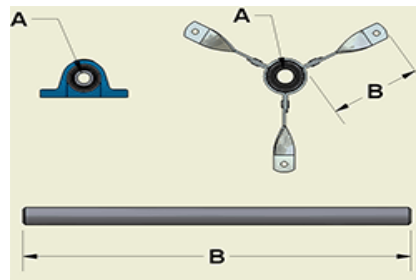
Motor Mount Brackets

900 Series - 9090007 - 925 X 1-7/16 BHD Blower

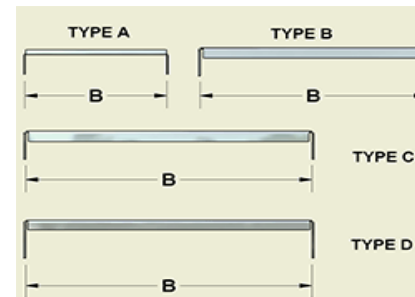
Item Number	Description	Qty Required	Dimensions			
			A	B	C	D
6031015	Wheel, 925 X 1-7/16 HUB X 108 BLADE	1	1-7/16"	26-1/16"	25-3/4"	
2100117	Shaft, 1-7/16 X 45-3/4, 3KWY	1	1-7/16"	45-3/4"		3 Kwy
8100005	Cast Iron Pillow Block Bearing, 1-7/16 (NTN)	2	1-7/16"			



Wheel



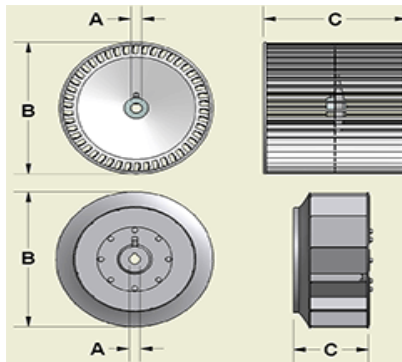
Bearing, Bearing Bracket and Shaft



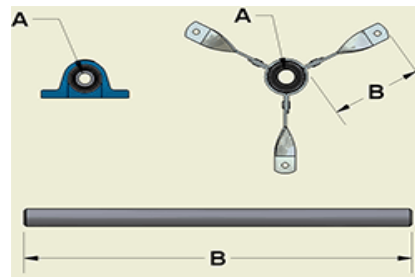
Motor Mount Brackets

900 Series - 9090008 - 925 1-15/16 BDH Blower

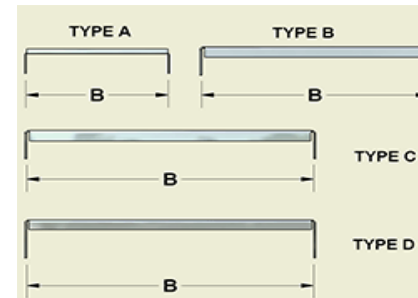
Item Number	Description	Qty Required	Dimensions			
			A	B	C	D
6031017	Wheel, 925 X 1-15/16 HUB X 108 BLADE	1	1-15/16"	26-1/16"	25-3/4"	
2100123	Shaft, 1-15/16 X 47-3/4, 3KWY	1	1-15/16"	47-3/4"		3 Kw
8100007	Cast Iron Pillow Block Bearing, 1-15/16 (NTN)	2	1-15/16"			



Wheel



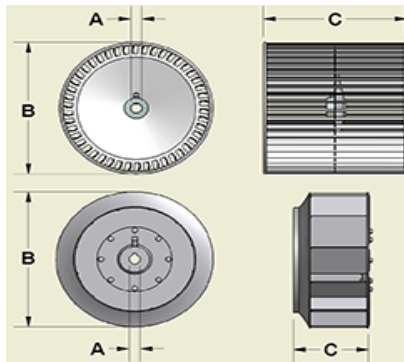
Bearing, Bearing Bracket and Shaft



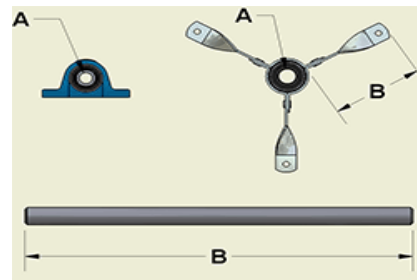
Motor Mount Brackets

900 Series - 9090015 - 918 X1-3/16 BHD Blower

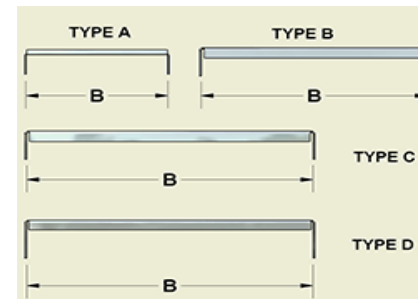
Item Number	Description	Qty Required	Dimensions			
			A	B	C	D
6030032	Wheel, G18BD-52-1-3/16-RH-RCD-LH-LCD	1	1-3/16"	18-1/2"	18-1/2"	
2100240	Shaft, 1-3/16 X 34, 3KWY	1	1-3/16"	34"		3 Kwy
8100004	Cast Iron Pillow Block Bearing, 1-3/16 (NTN)	2	1-3/16"			



Wheel



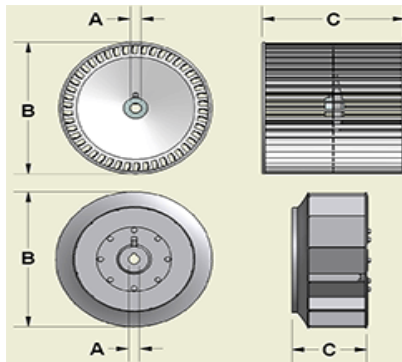
Bearing, Bearing Bracket and Shaft



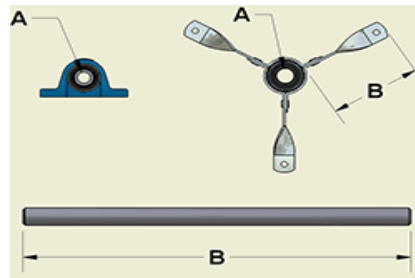
Motor Mount Brackets

900 Series - 9090020 - 907 X 3/4 BHD Blower

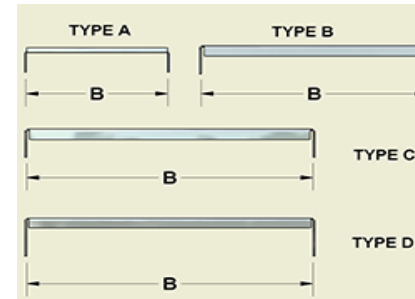
Item Number	Description	Qty Required	Dimensions			
			A	B	C	D
6039001	Wheel, G7BD-36-3/4-RH-LCD	1	3/4"	8-1/16"	7-3/16"	
2100340	Shaft, 3/4 X 17-3/16, 2KWY, 1 SLAB	1	3/4"	17-3/16"		2Kwy/1Slab
8100030	Cast Iron Pillow Block Bearing,3/4 (NTN)	2	3/4"			



Wheel



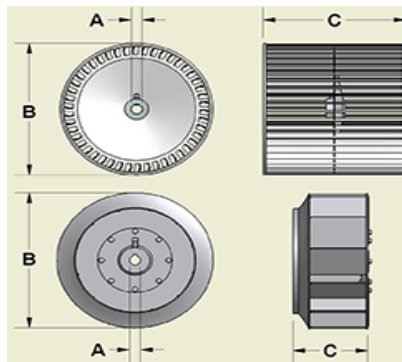
Bearing, Bearing Bracket and Shaft



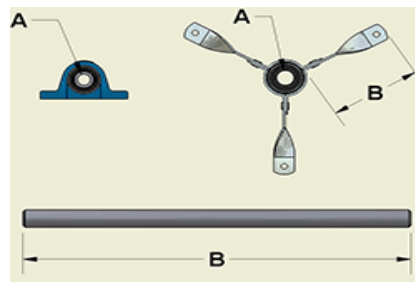
Motor Mount Brackets

900 Series - 9090025 - 909-7 X 3/4 BHD Blower

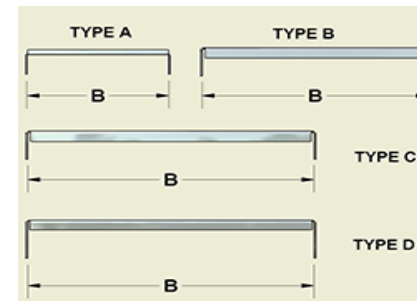
Item Number	Description	Qty Required	Dimensions			
			A	B	C	D
6039003	Wheel, G9-7BD-46-3/4-RH-LCD	1	3/4"	10-1/4"	7-3/16"	
2100340	Shaft, 3/4 X 17-3/16, 2KWY, 1 SLAB	1	3/4"	17-3/16"		2Kwy/1Slab
8100030	Cast Iron Pillow Block Bearing,3/4 (NTN)	2	3/4"			



Wheel



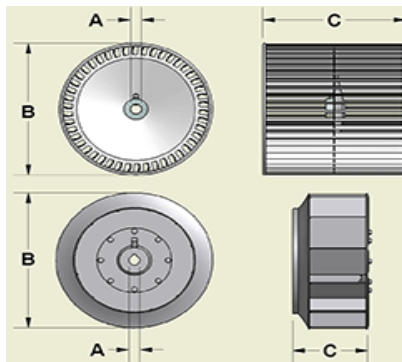
Bearing, Bearing Bracket and Shaft



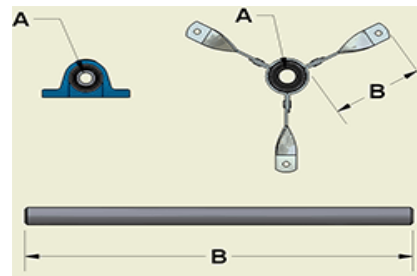
Motor Mount Brackets

900 Series - 9090030 - 909 3/4 BHD Blower

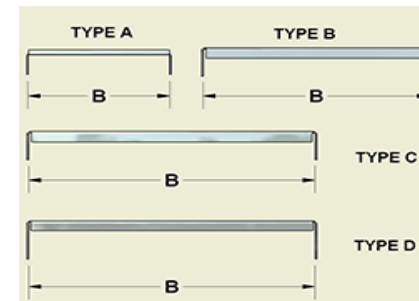
Item Number	Description	Qty Required	Dimensions			
			A	B	C	D
6039002	Wheel, G9BD-46-3/4-RH-LCD	1	3/4"	10-1/4"	9-9/16"	
2100341	Shaft, 3/4 X 19-13/16, 2KWY, 1 SLAB	1	3/4"	19-13/16"		2Kwy/1Slab
8100030	Cast Iron Pillow Block Bearing,3/4 (NTN)	2	3/4"			



Wheel



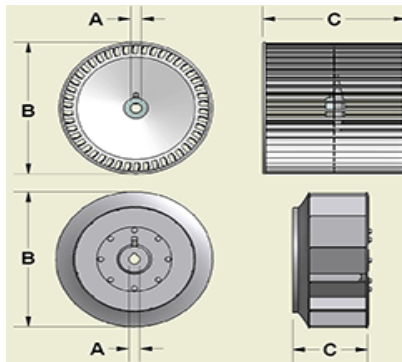
Bearing, Bearing Bracket and Shaft



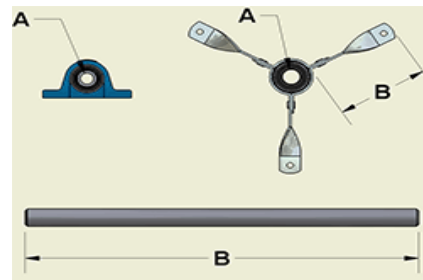
Motor Mount Brackets

900 Series - 9090035 - 910-8 X 3/4 BHD Blower

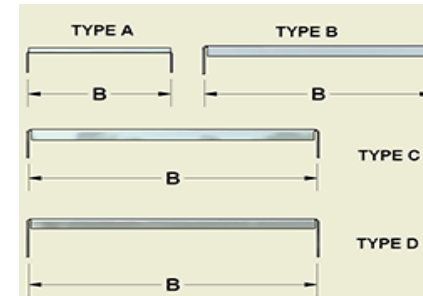
Item Number	Description	Qty Required	Dimensions			
			A	B	C	D
6039005	Wheel, G10-8BD-50-3/4-RH-LCD	1	3/4"	11-1/8"	8-1/16"	
2100349	Shaft, 3/4 X 18-1/2, 2KWY, 1 SLAB	1	3/4"	18-1/2"		2Kwy/1Slab
8100030	Cast Iron Pillow Block Bearing,3/4 (NTN)	2	3/4"			



Wheel



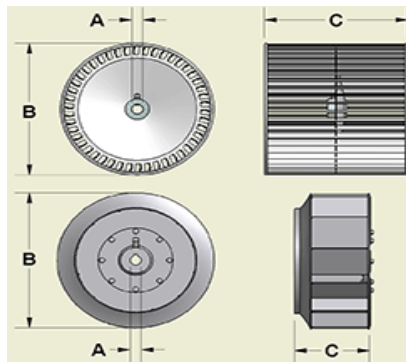
Bearing, Bearing Bracket and Shaft



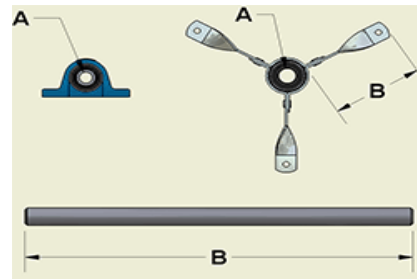
Motor Mount Brackets

900 Series - 9090040 - 910-8 X 1 BHD Blower

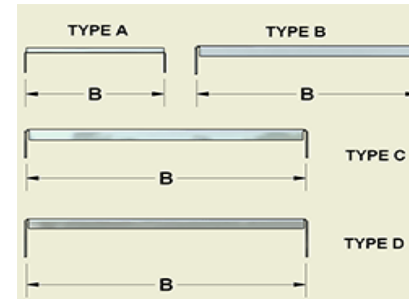
Item Number	Description	Qty Required	Dimensions			
			A	B	C	D
6030113	Wheel, G10BD-52-1-RH-LCD	1	1"	11-9/16"	10-13/16"	
2100186	Shaft, 1 X 21-5/8, 2KWY, 1 SLAB	1	1"	21-5/8"		2 Kwy/1Slab
8100003	Cast Iron Pillow Block Bearing,1 (NTN)	2	1"			



Wheel



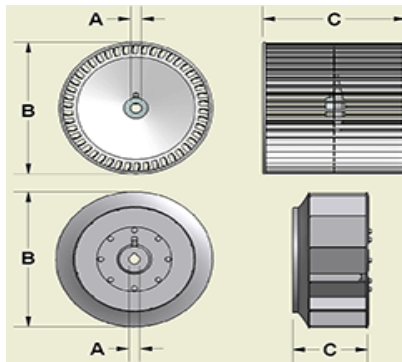
Bearing, Bearing Bracket and Shaft



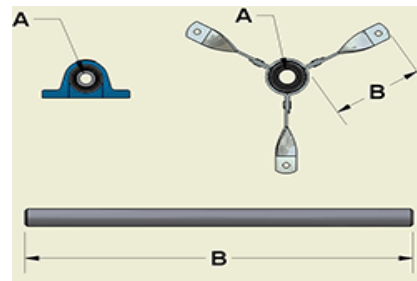
Motor Mount Brackets

900 Series - 9090045 - 912-9 X 1 BHD Blower

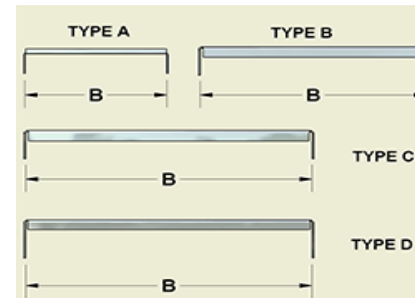
Item Number	Description	Qty Required	Dimensions			
			A	B	C	D
6030014	Wheel, G12-9BD-58-1-RH-RCD-LH-LCD	1	1"	12-7/8"	9-9/16"	
2100353	Shaft, 1 X 20-3/4, 2KWY, 1 SLAB	1	1"	20-3/4"		2Kwy/1Slab
8100003	Cast Iron Pillow Block Bearing,1 (NTN)	2	1"			



Wheel



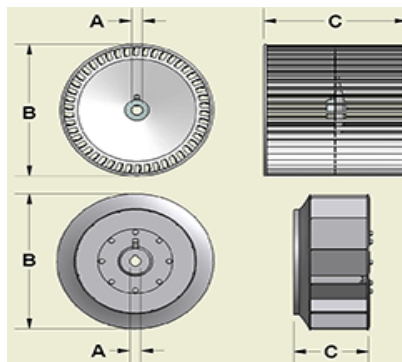
Bearing, Bearing Bracket and Shaft



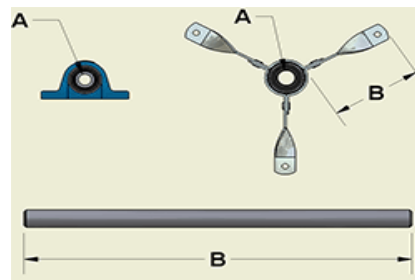
Motor Mount Brackets

900 Series - 9090050 - 912 X 1VHD Blower

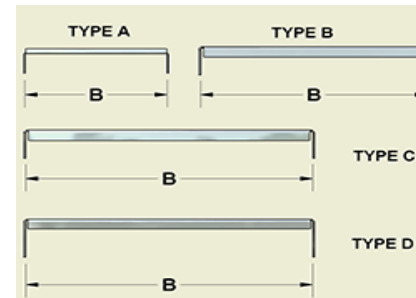
Item Number	Description	Qty Required	Dimensions			
			A	B	C	D
6039025	Wheel, G12BD-58-1-RH-RCD-LH-LCD	1	1"	12-7/8"	12-13/16"	
2100189	Shaft, 1 X 24-1/8, 2KWY, 1 SLAB	1	1"	24-1/8"		2Kwy/1Slab
8100003	Cast Iron Pillow Block Bearing,1 (NTN)	2	1"			



Wheel



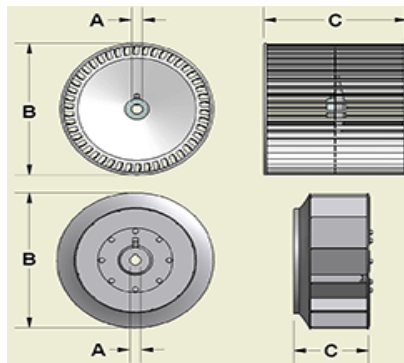
Bearing, Bearing Bracket and Shaft



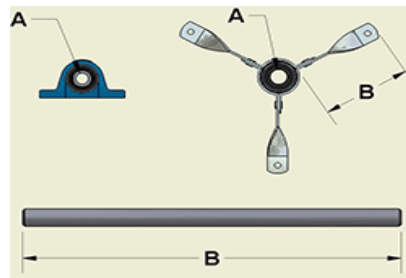
Motor Mount Brackets

900 Series - 9090055 - 915-10 X1 BHD Blower

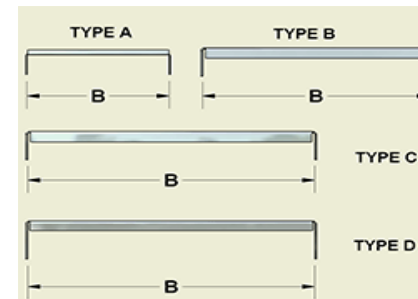
Item Number	Description	Qty Required	Dimensions			
			A	B	C	D
6030021	Wheel, G15-10BD-70-1-RH-RCD-LH-LCD	1	1"	15-1/2"	10-13/16"	
2100206	Shaft, 1 X 23-3/16, 2KWY, 1 SLAB	1	1"	23-3/16"		2Kwy/1Slab
8100003	Cast Iron Pillow Block Bearing,1 (NTN)	2	1"			



Wheel



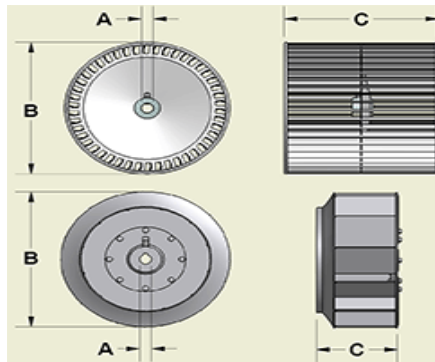
Bearing, Bearing Bracket and Shaft



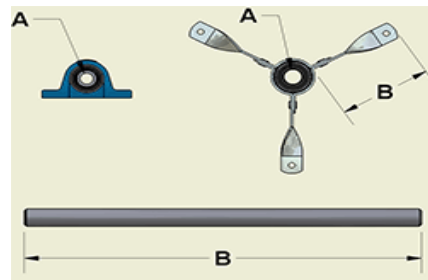
Motor Mount Brackets

900 Series - 9090060 - 915 X 1 BHD Blower

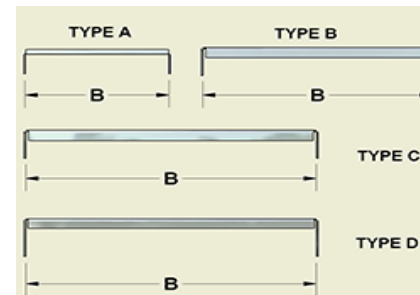
Item Number	Description	Qty Required	Dimensions			
			A	B	C	D
6039009	Wheel, G15BD-70-1-RH-RCD-LH-LCD	1	1"	15-1/2"	15-1/16"	
2100209	Shaft, 1 X 27-1/8, 2KWY, 1 SLAB	1	1"	27-1/8"		2Kwy/1Slab
8100003	Cast Iron Pillow Block Bearing, 1 (NTN)	2	1"			



Wheel



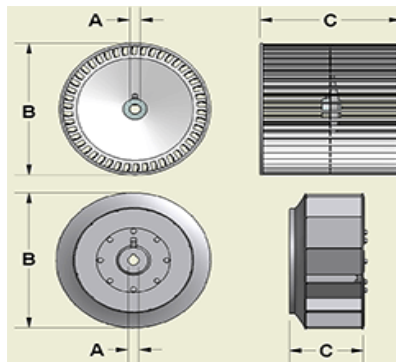
Bearing, Bearing Bracket and Shaft



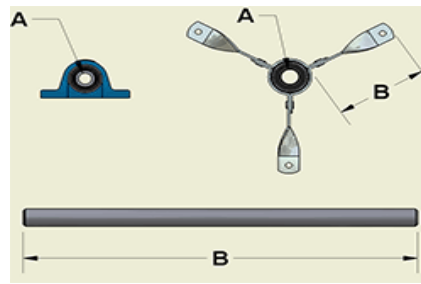
Motor Mount Brackets

900 Series - 9090066 - 920-18 X 1-7/16 BHD Blower

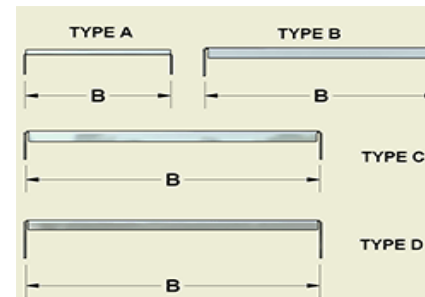
Item Number	Description	Qty Required	Dimensions			
			A	B	C	D
6031021	Wheel, 920-18 X 1-7/16 HUB X 88 BLADE	1	1-7/16"	20-3/4"	18-3/8"	
2100451	Shaft, 1-7/16 X 36, 3KWY	1	1-7/16"	36"		3 KWY
8100005	Cast Iron Pillow Block Bearing, 1-7/16 (NTN)	2	1-7/16"			



Wheel



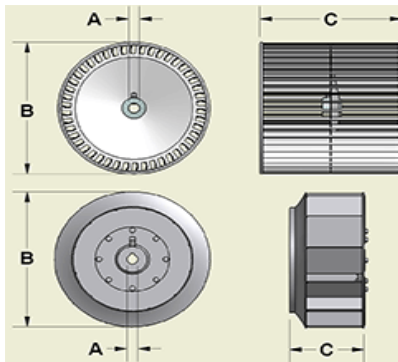
Bearing, Bearing Bracket and Shaft



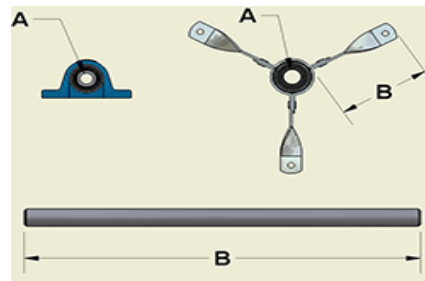
Motor Mount Brackets

900 Series - 9091093 - 915 X 1-3/16 BHD Blower

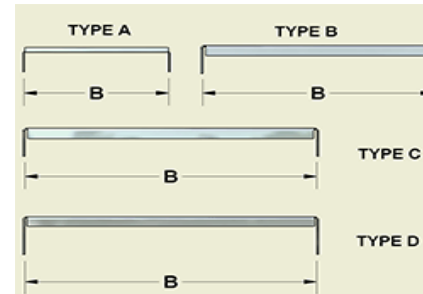
Item Number	Description	Qty Required	Dimensions			
			A	B	C	D
6030029	Wheel, G15BD-70-1-3/16-RH-RCD-LH-LCD	1	1-3/16"	15-1/2"	15-1/16"	
2100271	Shaft, 1-3/16 X 30, 3KWY	1	1-3/16"	30"		3 KwY
8100004	Cast Iron Pillow Block Bearing, 1-3/16 (NTN)	2	1-3/16"			



Wheel



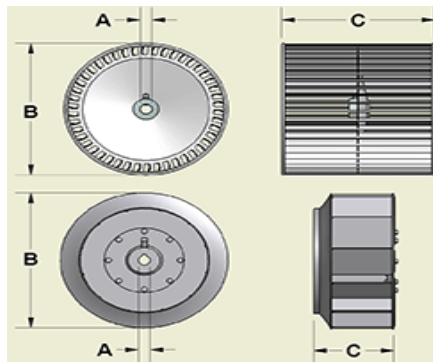
Bearing, Bearing Bracket and Shaft



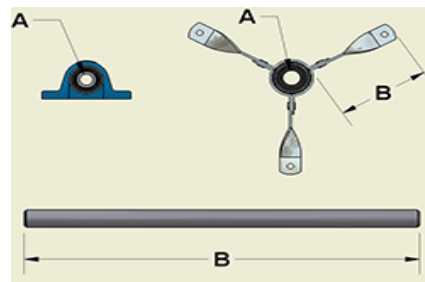
Motor Mount Brackets

900 Series - 9091100 - 912 X 1-3/16 BHD Blower

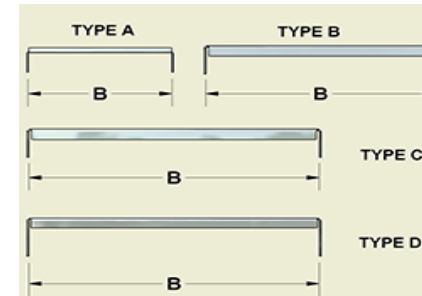
Item Number	Description	Qty Required	Dimensions			
			A	B	C	D
6030019	Wheel, G12BD-58-1-3/16-RH-RCD-LH-LCD	1	1-3/16"	12-7/8"	12-13/16"	
2100275	Shaft, 1-3/16 X 27, 3KWY	1	1-3/16"	27"		3 Kwy
8100004	Cast Iron Pillow Block Bearing, 1-3/16 (NTN)	2	1-3/16"			



Wheel



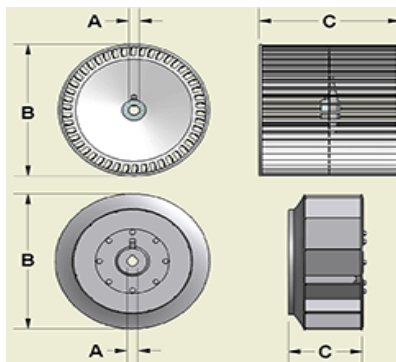
Bearing, Bearing Bracket and Shaft



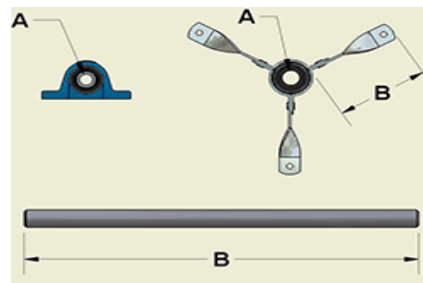
Motor Mount Brackets

900 Series - 9091104 - 912 X 1-7/16 BHD Blower

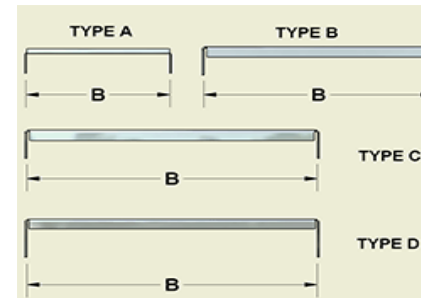
Item Number	Description	Qty Required	Dimensions			
			A	B	C	D
6030020	Wheel, G12BD-1-7/16-RH-RCD-LH-LCD	1	1-7/16"	12-7/8"	12-13/16"	
2100278	Shaft, 1-7/16 X 27, 3KWY	1	1-7/16"	27"		3 Kwy
8100005	Cast Iron Pillow Block Bearing, 1-7/16 (NTN)	2	1-7/16"			



Wheel



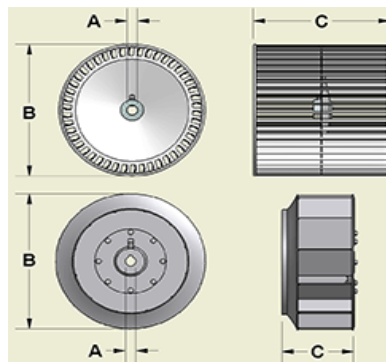
Bearing, Bearing Bracket and Shaft



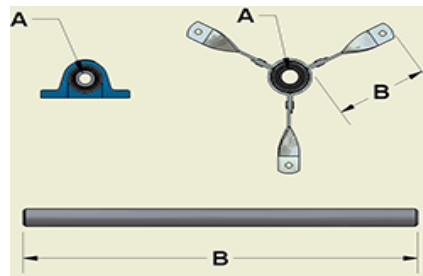
Motor Mount Brackets

900 Series - 9091114 - 918 X 1-7/16 BHD Blower

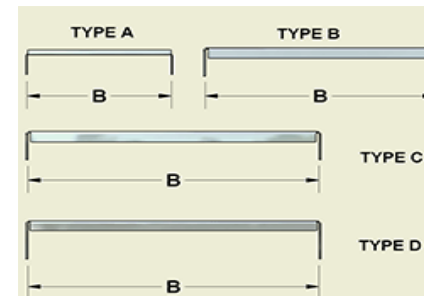
Item Number	Description	Qty Required	Dimensions			
			A	B	C	D
6030033	Wheel, G18BD-52-1-7/16-RH-RCD-LH-LCD	1	1-7/16"	18-1/2"	18-1/2"	
2100283	Shaft, 1-7/16 X 34, 3KWY	1	1-7/16"	34"		3 Kw
8100005	Cast Iron Pillow Block Bearing, 1-7/16 (NTN)	2	1-7/16"			



Wheel



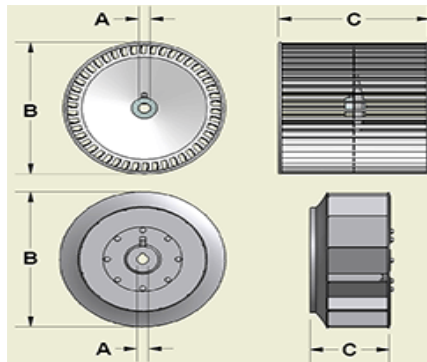
Bearing, Bearing Bracket and Shaft



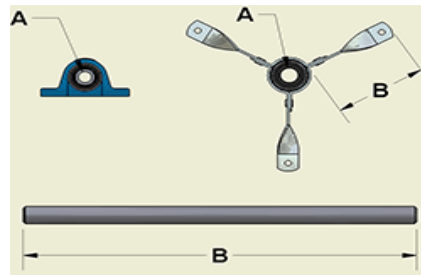
Motor Mount Brackets

900 Series - 9091119 - 910-8 X 1 BHD Blower

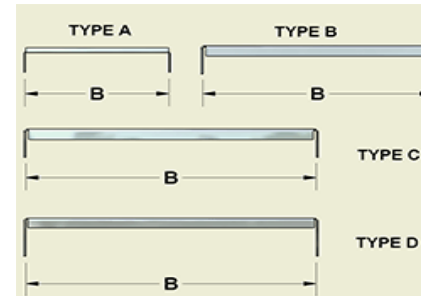
Item Number	Description	Qty Required	Dimensions			
			A	B	C	D
6030166	Wheel, G10-8BD-50-1-RH-LCD	1	1"	11-1/8"	8-1/16"	
2100351	Shaft, 1 X 19, 2KWY, 1 SLAB	1	1"	19"		2Kwy/1Slab
8100003	Cast Iron Pillow Block Bearing,1 (NTN)	2	1"			



Wheel



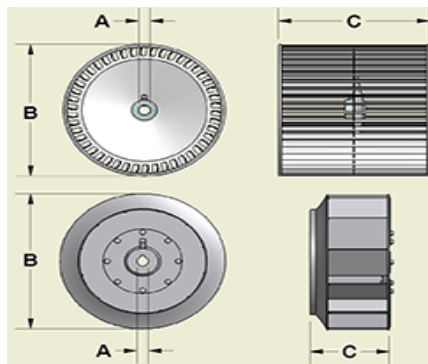
Bearing, Bearing Bracket and Shaft



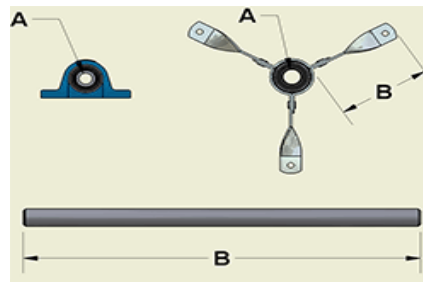
Motor Mount Brackets

900 Series - 9091121 - 915-10 X 1-3/16 BHD Blower

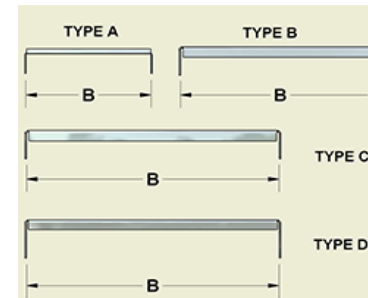
Item Number	Description	Qty Required	Dimensions			
			A	B	C	D
6030026	Wheel, G15-10BD-70-1-3/16-RH-RCD-LH-LCD	1	1-3/16"	15-1/2"	10-13/16"	
2100275	Shaft, 1-3/16 X 27, 3KWY	1	1-3/16"	27"		3 Kwy
8100004	Cast Iron Pillow Block Bearing, 1-3/16 (NTN)	2	1-3/16"			



Wheel



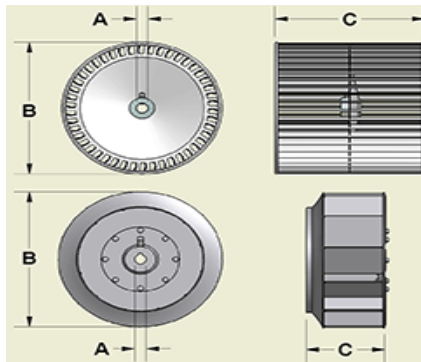
Bearing, Bearing Bracket and Shaft



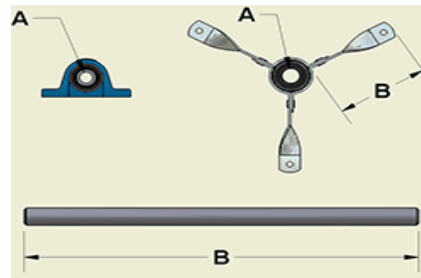
Motor Mount Brackets

900 Series - 9091307 - 925 X 2-3/16 BHD Blower

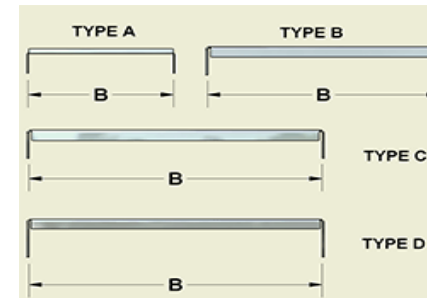
Item Number	Description	Qty Required	Dimensions			
			A	B	C	D
6031043	Wheel, 925 X 2-3/16 HUB X 108 BLADE	1	2-3/16"	26-1/16"	25-3/4"	
2100106	Shaft, 2-3/16 X 49-3/4, 3KWY	1	2-3/16"	49-3/4"		3 Kwy
8100038	Cast Iron Pillow Block Bearing, 2-3/16 (NTN)	2	2-3/16"			



Wheel



Bearing, Bearing Bracket and Shaft



Motor Mount Brackets