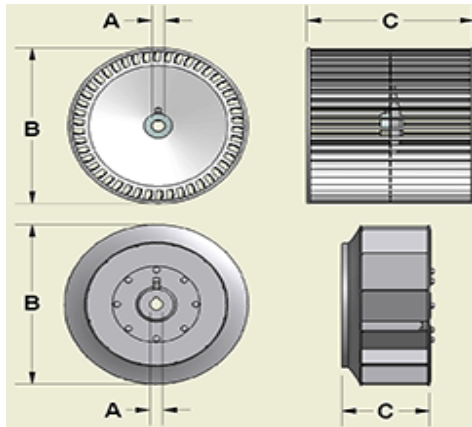
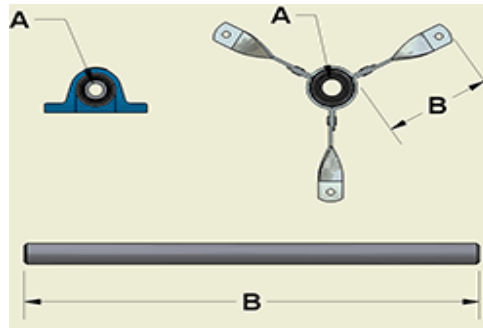


## 809 DWDI Blower - 9080001

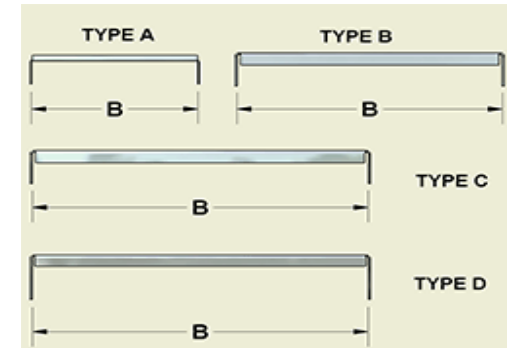
Item Number	Description	Qty Required	Dimensions			
			A	B	C	D
R-6030003	Wheel, G9BD-46-3/4-RH-LCD	1	3/4"	10-1/4"	9-9/16"	
2100391	Shaft, 3/4 X 16-5/16, 2KWY	1	3/4"	16-5/16"		2 Kw
6080002	Bearing Bracket Assembly, G9 B/B (c/w bearing and sleeve)	2	3/4"			
8100000	Ball Bearing, 3/4 RCR	2	3/4"			
8860021	S741 Rubber Sleeve 3/4 RCR	2	3/4"			
6110010	Motor Bracket, 809,809-2	1		11-3/4" OD	Type - B	2 HP Max
7010020	Parts Bag, G9/12,407/12,809/12	1				



Wheel



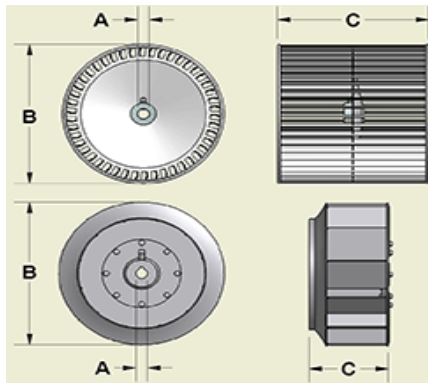
Bearing, Bearing Bracket and Shaft



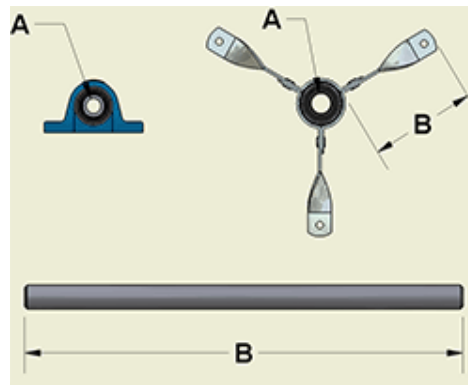
Motor Mount Brackets

## 810 DWDI Blower - 9080003

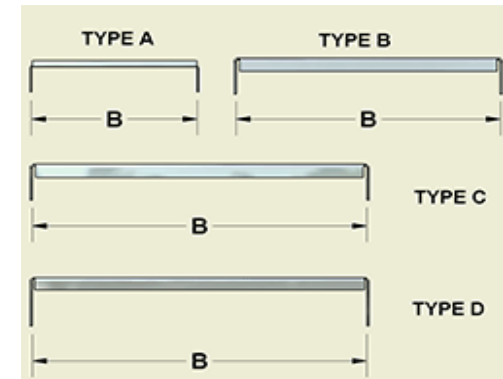
Item Number	Description	Qty Required	Dimensions			
			A	B	C	D
R-6030007	Wheel, G10BD-52-3/4-RH-LCD	1	3/4"	11-9/16"	10-13/16"	
2100401	Shaft, 3/4 X 18-1/4, 2KWY	1	3/4"	18-1/4"		2 KwY
6080003	Bearing Bracket Assembly, G10 B/B (c/w bearing and sleeve)	2	3/4"			
8100000	Ball Bearing, 3/4 RCR	2	3/4"			
8860021	S741 Rubber Sleeve 3/4 RCR	2	3/4"			
6110011	Motor Bracket, 810,810-2,G15-9	1		13-1/16" OD	Type - B	2 HP Max
7010020	Parts Bag, G9/12,407/12,809/12	1				



Wheel



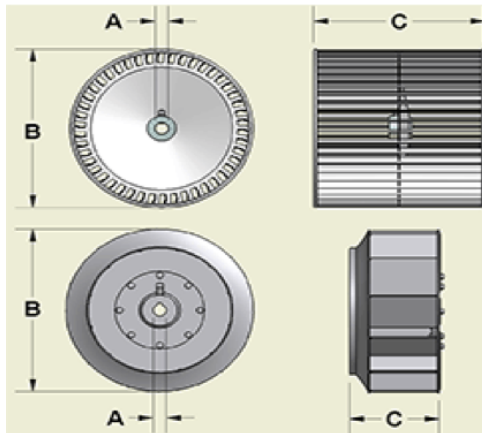
Bearing, Bearing Bracket and Shaft



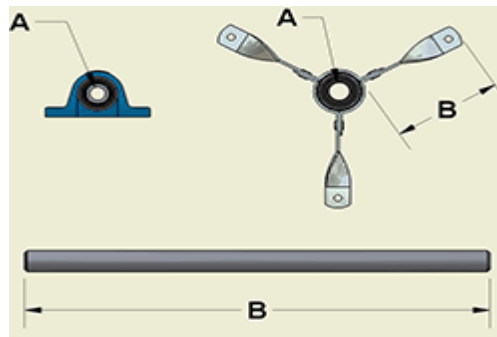
Motor Mount Brackets

## 812 DWDI Blower - 9080006

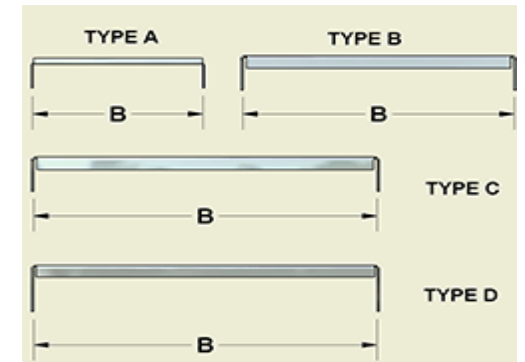
Item Number	Description	Qty Required	Dimensions			
				B	C	D
R-6030018	Wheel, G12BD-58-1-RH-RCD-LH-LCD	1	1"	12-7/8"	12-13/16"	
2100402	Shaft, 1 X 20-3/4, 2KWY	1	1"	20-3/4"		2 KwY
6080007	Bearing Bracket Assembly, G12 B/B (c/w bearing and sleeve)	2	1"			
8100001	Ball Bearing, 1 RCR/RCSM	2	1"			
8860022	RCR 1" RUBBER CUSHION	2	1"			
6110012	Motor Bracket, 812,812-2	1		15-9/16" OD	Type - B	2 HP Max
7010020	Parts Bag, G9/12,407/12,809/12	1				



Wheel



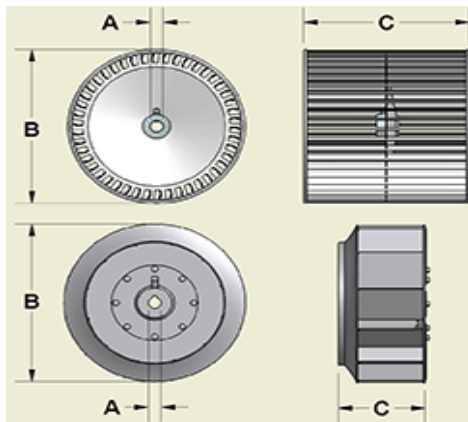
Bearing, Bearing Bracket and Shaft



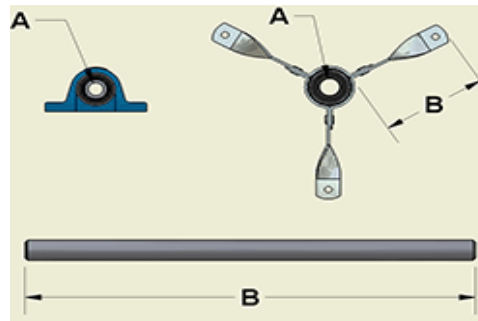
Motor Mount Brackets

## 815 DWDI Blower - 9080007

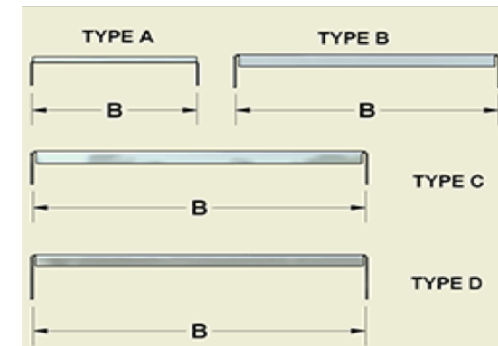
Item Number	Description	Qty Required	Dimensions			
			A	B	C	D
R-6030028	Wheel, G15BD-70-1-RH-RCD-LH-LCD	1	1"	15-1/2"	15-1/16"	
2100056	Shaft, 1 X 25, 2KWY	1	1"	25"		2 Kwy
6080008	Bearing Bracket Assembly, G15 B/B (c/w bearing and sleeve)	2	1"			
8100001	Ball Bearing, 1 RCR/RCSM	2	1"			
8860022	RCR 1" RUBBER CUSHION	2	1"			
6110013	Motor Bracket, 815,815-2	1		18-9/16" OD	Type - B	2 HP Max
7010031	Parts Bag, 415/815	1				



Wheel



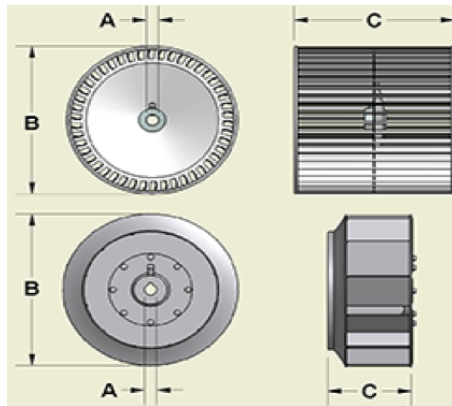
Bearing, Bearing Bracket and Shaft



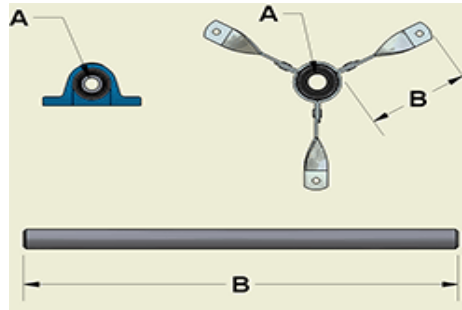
Motor Mount Brackets

## 818 DWDI Blower - 9080008

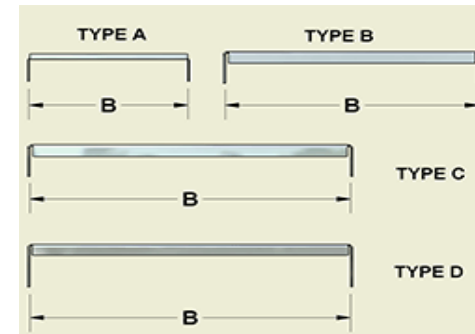
Item Number	Description	Qty Required	Dimensions			
			A	B	C	D
R-6030031	Wheel, G18BD-52-1-RH-RCD-LH-LCD	1	1"	18-1/2"	18-1/2"	
2100052	Shaft, 1 X 32-1/8, 2KWY	1	1"	32-1/8"		2 Kw
6080009	Bearing Bracket Assembly, G18 B/B, HD (c/w bearing and sleeve)	2	1"			
8100001	Ball Bearing, 1 RCR/RCSM	2	1"			
8860022	RCR 1" RUBBER CUSHION	2	1"			
6110014	Motor Bracket, 818,818-2	1		21-7/8" OD	Type - C	3 HP Max
7010014	Parts Bag 418,818,818-2	1				



Wheel



Bearing, Bearing Bracket and Shaft



Motor Mount Brackets