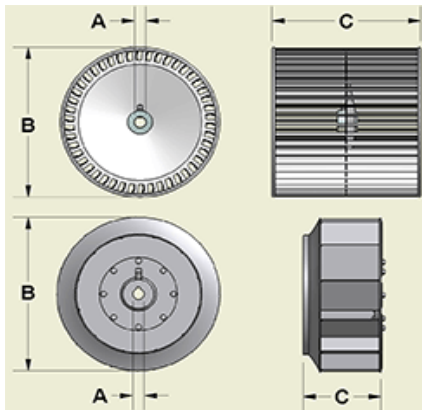
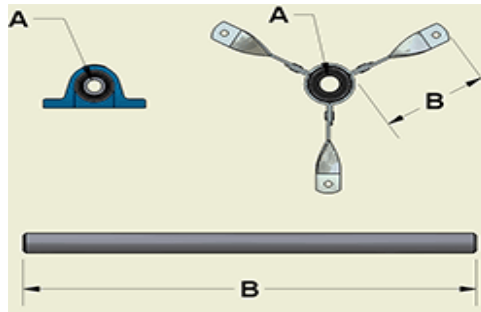


709 Air Supply Unit - Part # 9070101

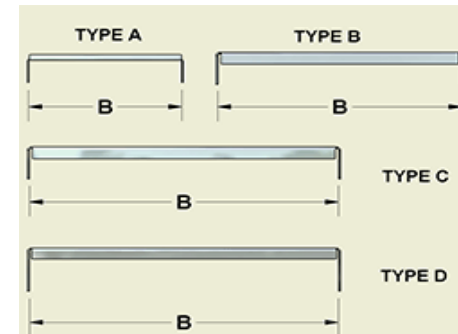
Item Number	Description	Qty Required	Dimensions			
			A	B	C	D
R-6030003	Wheel, G9BD-46-3/4-RH-LCD	1	3/4"	10-1/4"	9-9/16"	
R-2100391	Shaft, 3/4 X 16-5/16, 2KWY	1	3/4"	16-5/16"		2 KwY
R-B-6080002	Bearing Bracket Assembly, G9 B/B (c/w bearing and sleeve)	2	3/4"			
R-B-8100000	Ball Bearing and Rubber Sleeve, 3/4" RCR	2	3/4"			
R-B-8830122	Latch Assemblies 700 Series	4				
R-B-8860032	Alum Filter, 20" X 10" X 1"	4		10"	20"	1" Deep



Wheel



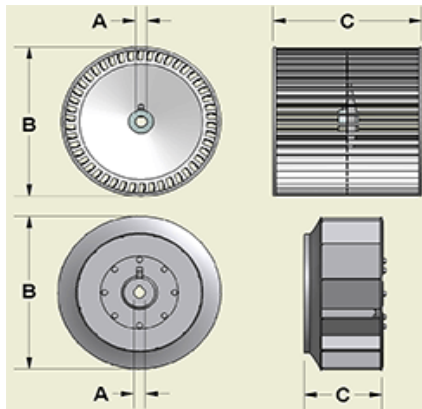
Bearing, Bearing Bracket and Shaft



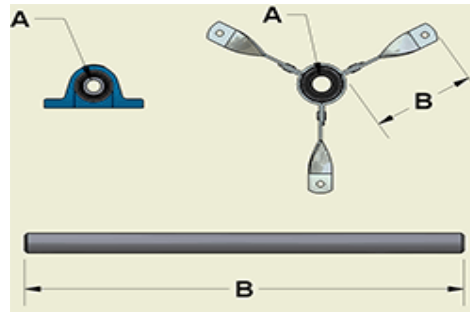
Motor Mount Brackets

710 Air Supply Unit - Part # 9070102

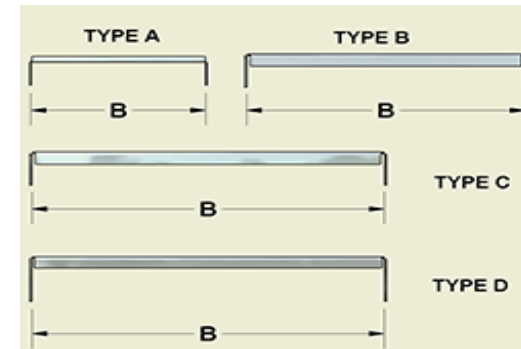
Item Number	Description	Qty Required	Dimensions			
			A	B	C	D
R-6030007	Wheel, G10BD-52-3/4-RH-LCD	1	3/4"	11-9/16"	10-13/16"	
R-2100392	Shaft, 3/4 X 17-5/8, 2KWY	1	3/4"	17-5/8"		2 KwY
R-B-6080003	Bearing Bracket Assembly, G10 B/B (c/w bearing and sleeve)	2	3/4"			
R-B-8100000	Ball Bearing and Rubber Sleeve, 3/4" RCR	2	3/4"			
R-B-8830122	Latch Assemblies 700 Series	4				
R-B-8860033	Alum Filter, 24" X 12" X 1"	4		12"	24"	1" Deep



Wheel



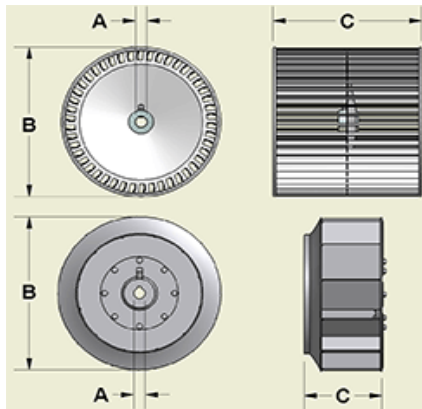
Bearing, Bearing Bracket and Shaft



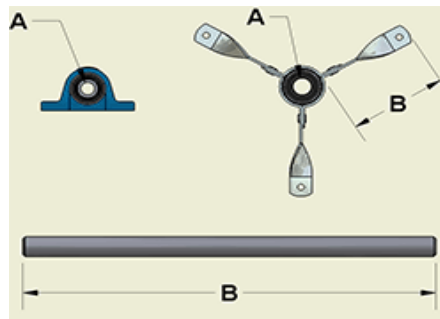
Motor Mount Brackets

712 Air Supply Unit - Part # 9070103

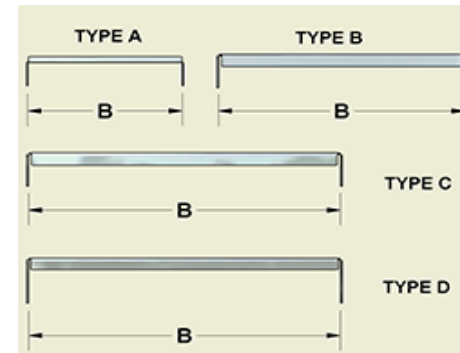
Item Number	Description	Qty Required	Dimensions			
			A	B	C	D
R-6030017	Wheel, G12BD-58-3/4-RH-RCD-LH-LCD	1	3/4"	12-7/8"	12-13/16"	
R-6039008	G12 BD X 3/4", Wheel PKGD	1				
R-2100255	SHAFT, 3/4 X 20-1/2, 2KWY	1	3/4"			
R-B-6080004	Bearing Bracket Assembly, G12 B/B,LD (c/w bearing and sleeve)	2	3/4"			
R-B-8100000	Ball Bearing and Rubber Sleeve, 3/4" RCR	2	3/4"			
R-B-8830122	Latch Assemblies 700 Series	4				
R-B-8860034	Alum Filter, 25" X 16" X 1"	4		16"	25"	1" Deep



Wheel



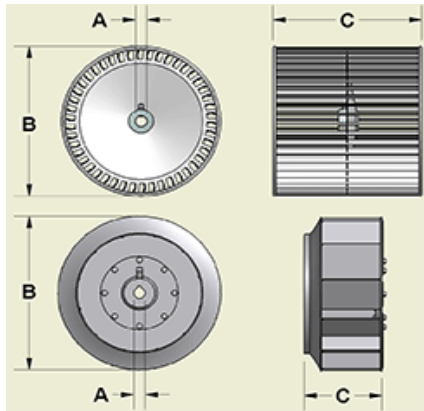
Bearing, Bearing Bracket and Shaft



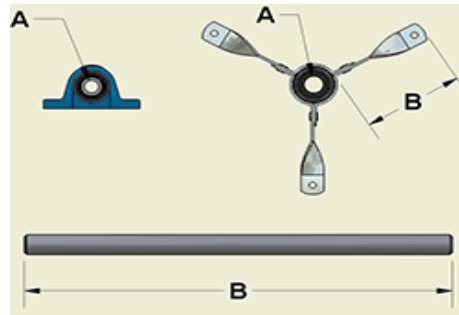
Motor Mount Brackets

715 Air Supply Unit - Part # 9070104

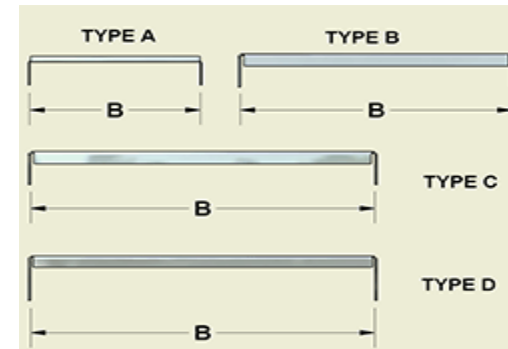
Item Number	Description	Qty Required	Dimensions			
			A	B	C	D
R-6030028	Wheel, G15BD-70-1-RH-RCD-LH-LCD	1	1"	15-1/2"	15-1/16"	
R-2100056	Shaft, 1 X 25, 2KWY	1	1"	25"		2 KwY
R-B-6080008	Bearing Bracket Assembly, G15 B/B (c/w bearing and sleeve)	2	1"			
R-B-8100001	Ball Bearing and Rubber Cushion, 1" RCR/RCSM	2	1"			
R-B-8830122	Latch Assemblies 700 Series	4				
R-B-8860034	Alum Filter, 25" X 16" X 1"	4		16"	25"	1" Deep



Wheel



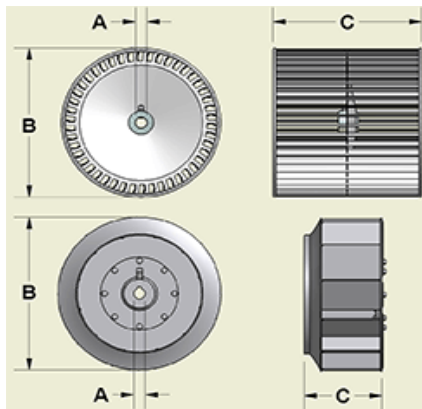
Bearing, Bearing Bracket and Shaft



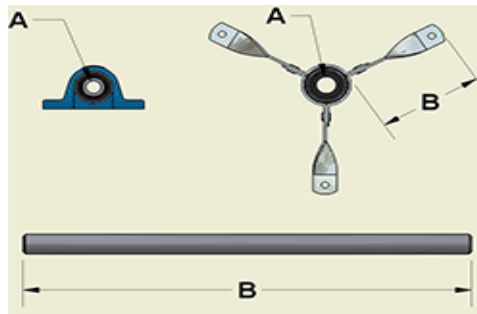
Motor Mount Brackets

718 Air Supply Unit - Part # 9070105

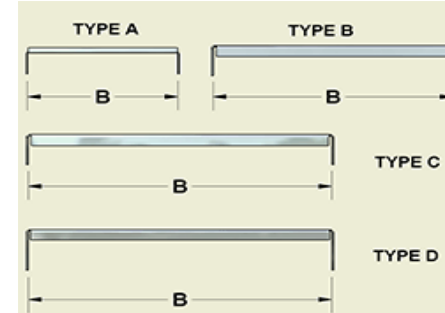
Item Number	Description	Qty Required	Dimensions			
			A	B	C	D
R-6030031	Wheel, G18BD-52-1-RH-RCD-LH-LCD	1	1"	18-1/2"	18-1/2"	
R-2100054	Shaft, 1 X 30-1/8, 2KWY	1	1"	32-1/8"		2 KwY
R-B-6080009	Bearing bracket Assembly, G18 B/B, HD (c/w bearing and sleeve)	2	1"			
R-B-8100001	Ball Bearing and Rubber Cushion, 1" RCR/RCSM	2	1"			
R-B-8830122	Latch Assemblies 700 Series	4				
R-B-8860035	Alum Filter, 28.5" X 20" X 1"	4		20"	28.5"	1" Deep



Wheel



Bearing, Bearing Bracket and Shaft



Motor Mount Brackets