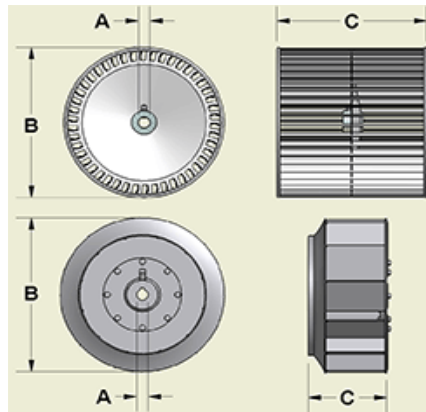
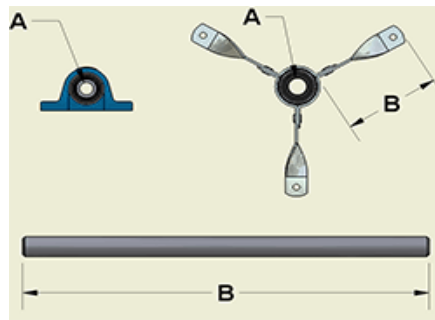


307 Roof Exhauster - 9030101

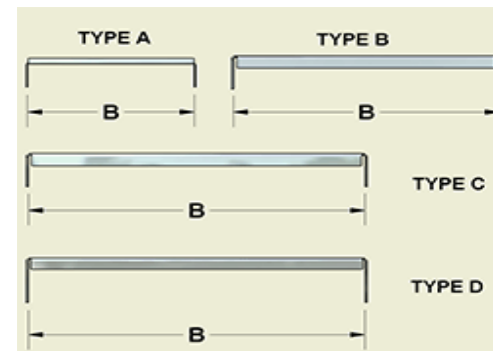
Item Number	Description	Qty Required	Dimensions			
			A	B	C	D
R-6030001	Wheel, G7BD-36-3/4-RH-LCD	1	3/4"	8-1/16"	7-3/16"	
R-2100241	Shaft, 3/4 X 14-3/16, 2KWY	1	3/4"	14-3/16"		2 KwY
R-B-6080001	Bearing Bracket Assembly, G7 B/B (c/w bearing and sleeve)	2	3/4"			
R-B-8100000	Ball Bearing and Rubber Sleeve, 3/4 RCR	2	3/4"			
R-B-2000352	307 SHUTTER	2				
R-B-6110032	Motor Bracket, G7,G12-7,G9-7,307	1		9-1/4" ID	Type - B	2 HP Max
R-B-6250014	Cowl Sub Assy, 307	1				
R-B-7010039	Parts Bag 307/312	1				
R-B-8830126	#8-15X1-1/4 COMB. WOOD SCREW	4				
R-B-8860018	PLASTIC SNAP BUSHING	4				



Wheel



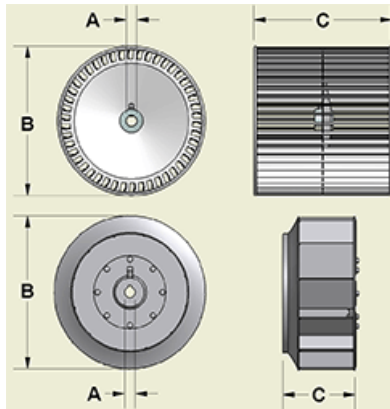
Bearing, Bearing Bracket and Shaft



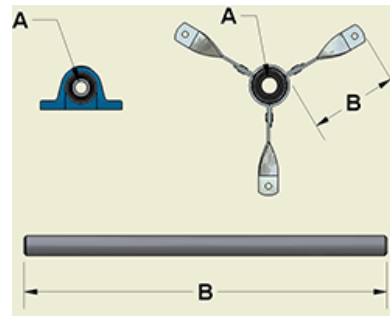
Motor Mount Brackets

309 Roof Exhauster - 9030102

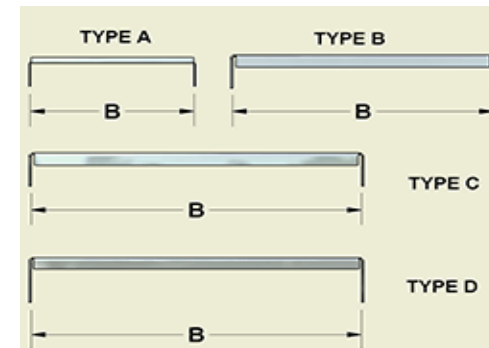
Item Number	Description	Qty Required	Dimensions			
			A	B	C	D
R-6030003	Wheel, G9BD-46-3/4-RH-LCD	1	3/4"	10-1/4"	9-9/16"	
R-2100391	Shaft, 3/4 X 16-5/16, 2KWY	1	3/4"	16-5/16"		2 KwY
R-B-6080002	Bearing Bracket Assembly, G9 B/B (c/w bearing and sleeve)	2	3/4"			
R-B-8100000	Ball Bearing and Rubber Sleeve, 3/4 RCR	2	3/4"			
R-B-2000353	309 Shutter	2				
R-B-6110027	Motor Bracket, G9,309,709,SIS-9, 9209V,9209-2V	1		11-7/8" ID	Type - B	2 HP Max
R-B-6250015	Cowl Sub Assy, 309	1				
R-B-7010039	Parts Bag 307/312	1				
R-B-8830126	#8-15X1-1/4 COMB. WOOD SCREW	4				
R-B-8860018	PLASTIC SNAP BUSHING	4				



Wheel



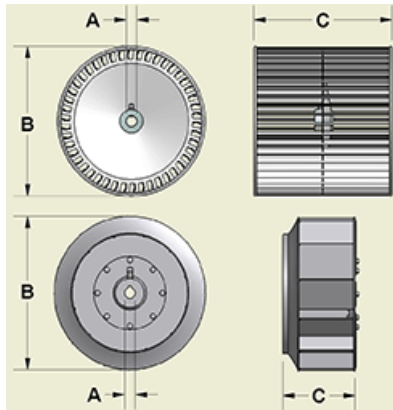
Bearing, Bearing Bracket and Shaft



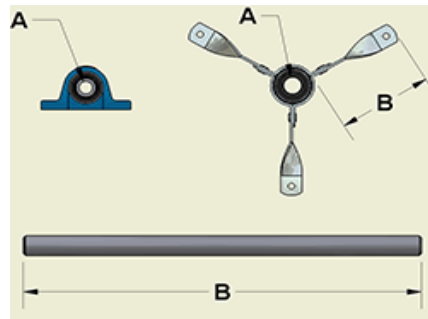
Motor Mount Brackets

310 Roof Exhauster - 9030103

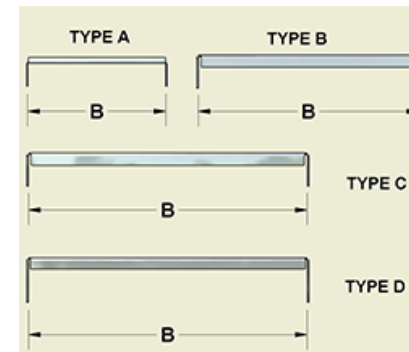
Item Number	Description	Qty Required	Dimensions			
			A	B	C	D
R-6030007	Wheel, G10BD-52-3/4-RH-LCD	1	3/4"	11-9/16"	10-13/16"	
R-2100392	Shaft, 3/4 X 17-5/8, 2KWY	1	3/4"	17-5/8"		2 Kwy
R-B-6080003	Bearing Bracket Assembly, G10 B/B (c/w bearing and sleeve)	2	3/4"			
R-B-8100000	Ball Bearing and Rubber Sleeve, 3/4 RCR	2	3/4"			
R-B-2000354	310 Shutter	2				
R-B-6110015	Motor Bracket G10,310,710,SIS-10,GT10,9210-2V,9210V	1		13-3/16" ID	Type - B	2 HP Max
R-B-6250016	Cowl Sub Assy, 310	1				
R-B-7010039	Parts Bag 307/312	1				
R-B-8830126	#8-15X1-1/4 COMB. WOOD SCREW	4				
R-B-8860018	PLASTIC SNAP BUSHING	4				



Wheel



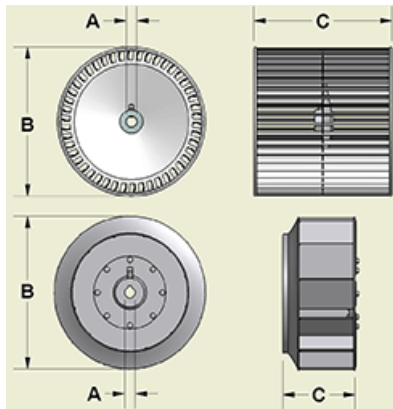
Bearing, Bearing Bracket and Shaft



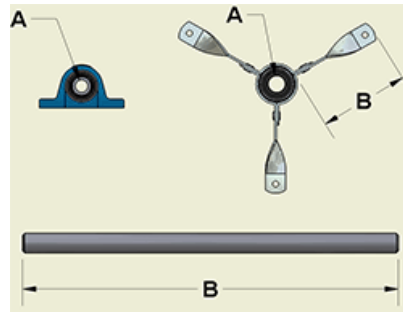
Motor Mount Brackets

312 Roof Exhauster - 9030104

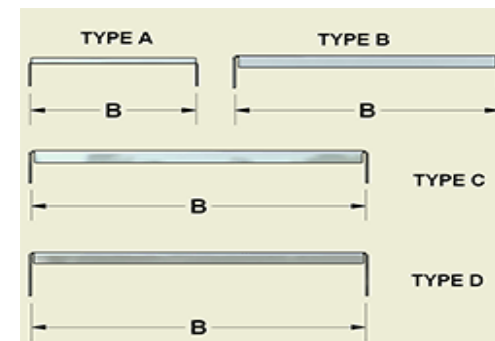
Item Number	Description	Qty Required	Dimensions			
			A	B	C	D
R-6030017	Wheel, G12BD-58-3/4-RH-RCD-LH-LCD	1	3/4"	12-7/8"	12-13/16"	
R-6039008	G12 BD X 3/4", Wheel PKGD	1				
R-2100255	SHAFT, 3/4 X 20-1/2, 2KWY	1	3/4"			
R-B-6080004	Bearing Bracket Assembly, G12 B/B, LD (c/w bearing and sleeve)	2	3/4"			
R-B-8100000	Ball Bearing and Rubber Sleeve, 3/4 RCR	2	3/4"			
R-B-2000355	312 Shutter	3				
R-B-6110001	Motor Bracket G12,312,712,SIS-12,GT12	1		15-7/8" ID	Type - B	2 HP Max
R-B-6250017	Cowl Sub Assy, 312	1				
R-B-7010039	Parts Bag 307/312	1				
R-B-8830126	#8-15X1-1/4 COMB. WOOD SCREW	6				
R-B-8860018	PLASTIC SNAP BUSHING	6				



Wheel



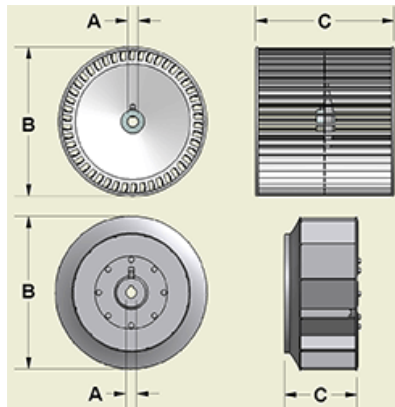
Bearing, Bearing Bracket and Shaft



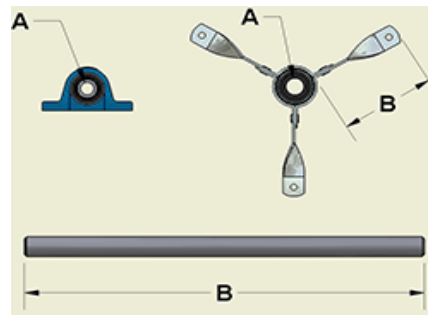
Motor Mount Brackets

315 Roof Exhauster - 9030105

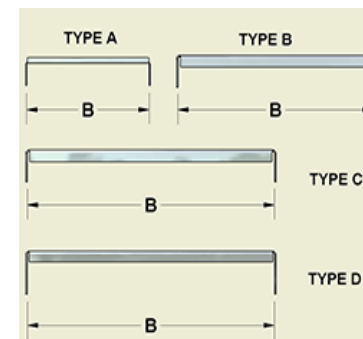
Item Number	Description	Qty Required	Dimensions			
			A	B	C	D
R-6030028	Wheel, G12BD-58-3/4-RH-RCD-LH-LCD	1	3/4"	12-7/8"	12-13/16"	
R-6039008	G12 BD X 3/4", Wheel PKGD	1				
R-2100056	Shaft, 1 X 25, 2KWY	1	1"	25"		2 Kwy
R-B-6080008	Bearing Bracket Assembly, G15 B/B (c/w bearing and sleeve)	2	1"			
R-B-8100000	Ball Bearing and Rubber Sleeve, 3/4 RCR	2	1"			
R-B-2000356	315 Shutter	3				
R-B-6110004	Motor Bracket 315, 715, SIS-15	1		18-11/16" ID	Type - D	3 HP Max
R-B-6250018	Cowl Sub Assy, 315	1				
R-B-7010029	Parts Bag 315	1				
R-B-8830126	#8-15X1-1/4 COMB. WOOD SCREW	6				
R-B-8860018	PLASTIC SNAP BUSHING	6				



Wheel



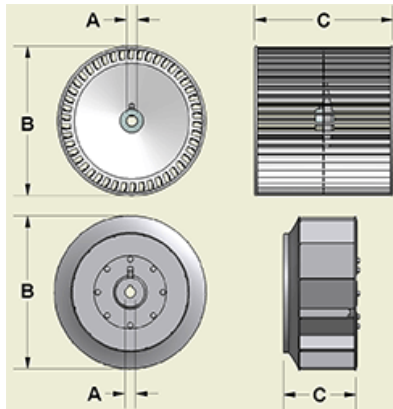
Bearing, Bearing Bracket and Shaft



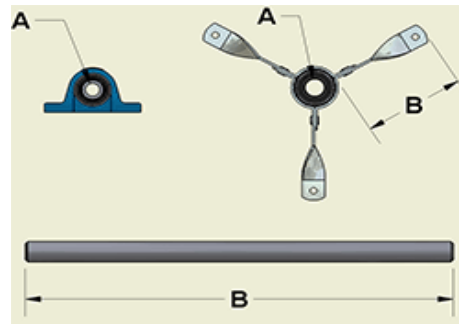
Motor Mount Brackets

318 Roof Exhauster - 9030106

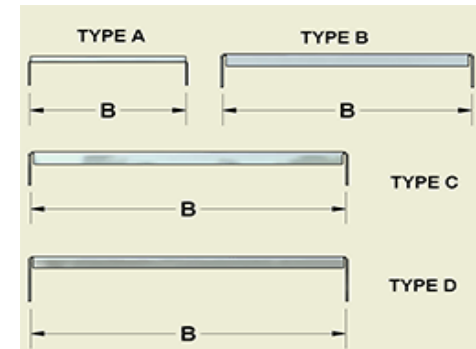
Item Number	Description	Qty Required	Dimensions			
			A	B	C	D
R-6030031	Wheel, G18BD-52-1-RH-RCD-LH-LCD	1	1"	18-1/2"	18-1/2"	
R-2100054	Shaft, 1 X 30-1/8, 2KWY	1	1"	32-1/8"		2 KwY
R-B-6080009	Bearing bracket Assembly, G18 B/B, HD (C/W bearing and sleeve)	2	1"			
R-B-8100001	Ball Bearing and Rubber Cushion, 1" RCR/RCSM	2	1"			
R-B-2000357	318 Shutter	2				
R-B-6110005	Motor Bracket 318, 718, SIS-18	1		22" ID	Type - D	3 HP Max
R-B-6250019	Cowl Sub Assy, 318	1				
R-B-7010010	Parts Bag 318	1				
R-B-8830126	#8-15X1-1/4 COMB. WOOD SCREW	6				
R-B-8860018	PLASTIC SNAP BUSHING	6				



Wheel



Bearing, Bearing Bracket and Shaft



Motor Mount Brackets