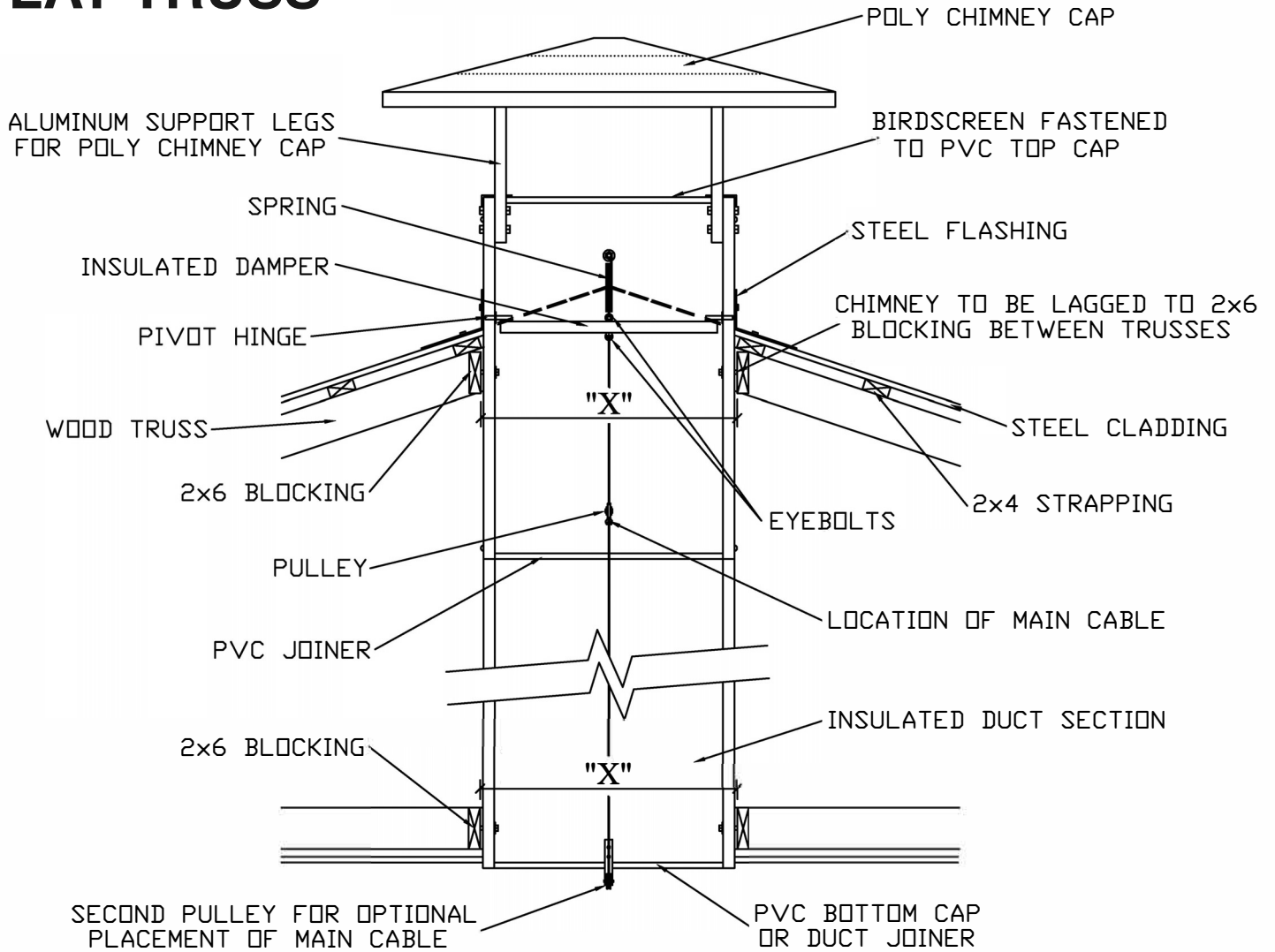


# FLAT TRUSS



RIDGE VIEW OF PRP CHIMNEY WITH INSULATED, FLAT CEILING

FRAMING OPENING:

CHIMNEY  
SIZE:

ROUGH SIZE  
OPENING ("X")

24" PRP CHIMNEY  
30" PRP CHIMNEY  
36" PRP CHIMNEY

26-1/4" x 26-1/4"  
30-1/2" x 30-1/2"  
38-1/4" x 38-1/4"

NOTES:

FASTEN CHIMNEYS INTO PLACE USING  
#12 x 3 1/2" LONG WOOD SCREWS

ABOVE DETAILS FOR SALES PURPOSES ONLY.  
SEE DETAILED FRAMING DRAWINGS FOR MORE  
INFORMATION.

**FAROMOR**  
A CANARM COMPANY

#7686 Concession 16, RR 4  
Arthur, ON, Canada N0G 1A0  
Tel: (519) 848-3910

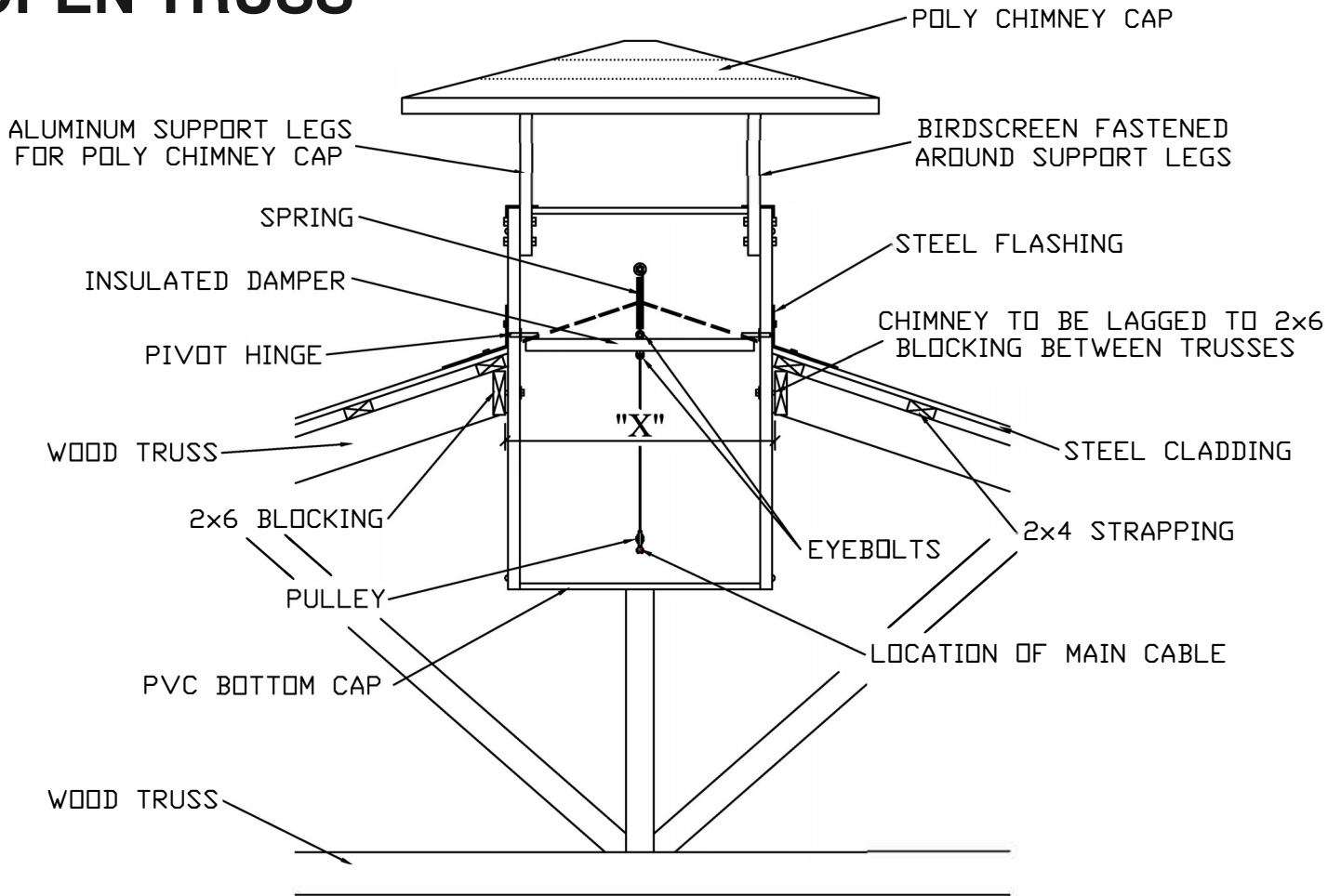
TITLE: RIDGE MOUNTED PRP CHIMNEY  
WITH INSULATED, FLAT CEILING

PROJECT / OWNER:

DRAWN: FEBRUARY 2004

DWG. FILE: 05-FRP-RIDGE-FLAT

# OPEN TRUSS



RIDGE VIEW OF PRP CHIMNEY

FRAMING OPENING:		NOTES:
CHIMNEY SIZE:	ROUGH SIZE OPENING ("X")	
24" PRP CHIMNEY	26-1/4" x 26-1/4"	FASTEN CHIMNEYS INTO PLACE USING #12 x 3 1/2" LONG WOOD SCREWS  ABOVE DETAILS FOR SALES PURPOSES ONLY. SEE DETAILED FRAMING DRAWINGS FOR MORE INFORMATION.
30" PRP CHIMNEY	30-1/2" x 30-1/2"	
36" PRP CHIMNEY	38-1/4" x 38-1/4"	

**FAROMOR**  
A CANARM COMPANY

#7686 Concession 16, RR 4  
Arthur, ON, Canada N0G 1A0  
Tel: (519) 848-3910

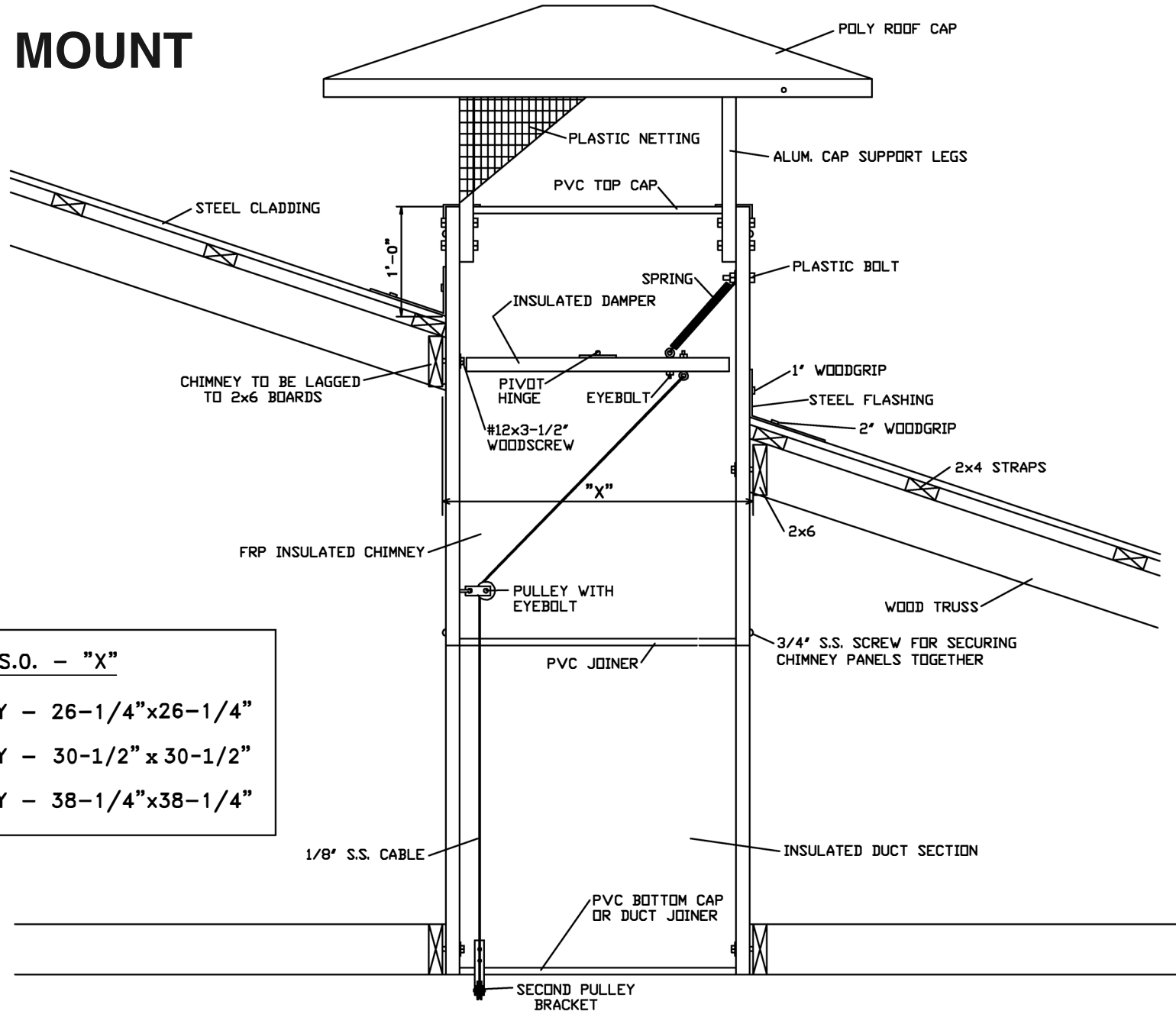
TITLE: RIDGE MOUNTED PRP CHIMNEY IN OPEN CEILING

PROJECT / OWNER:

DRAWN: FEBRUARY 2004

DWG. FILE: 05-FRP-RIDGE-OPEN

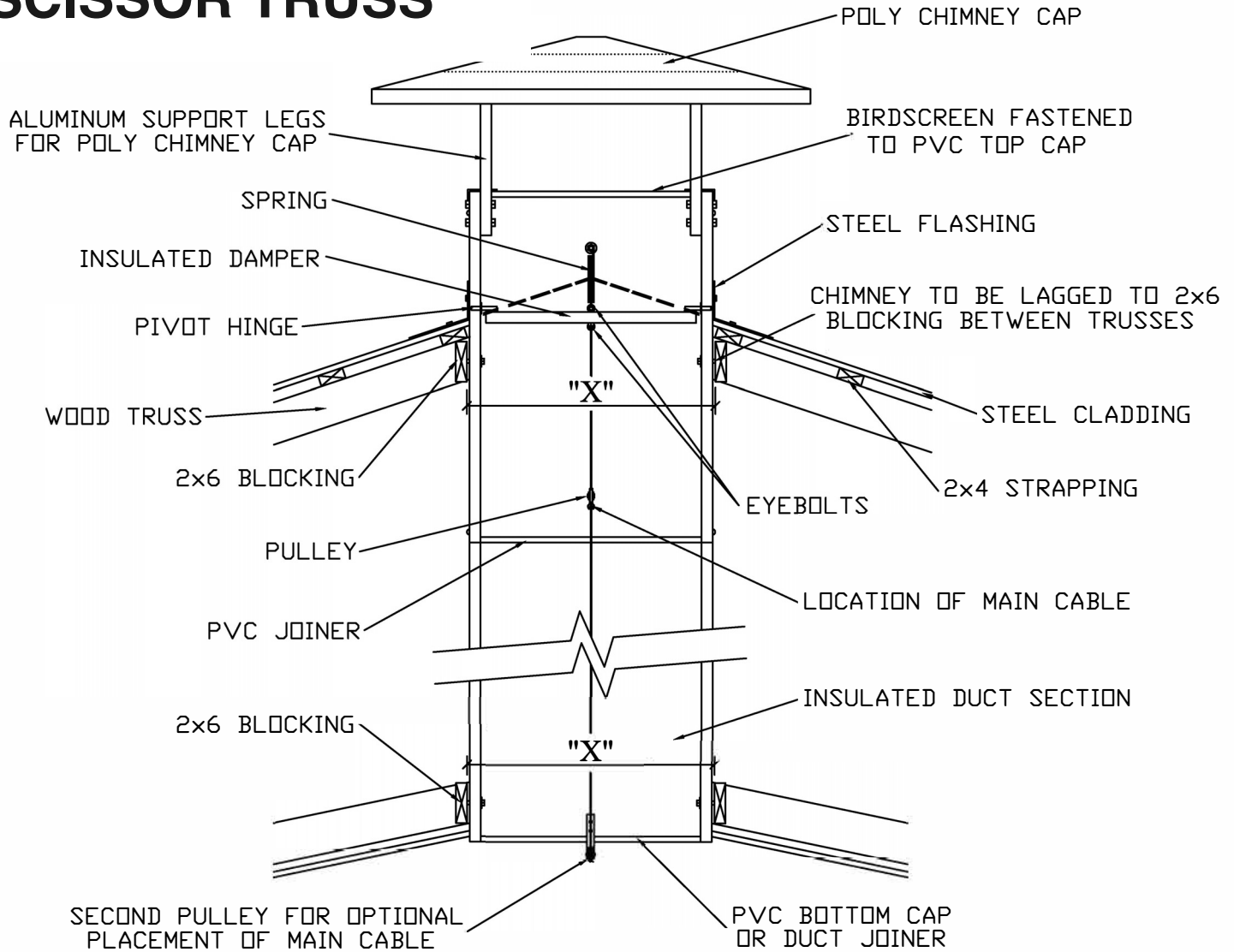
# SLOPE MOUNT



<u>R.S.O. - "X"</u>	
24" CHIMNEY	- 26-1/4" x 26-1/4"
30" CHIMNEY	- 30-1/2" x 30-1/2"
36" CHIMNEY	- 38-1/4" x 38-1/4"

<b>FAROMOR</b> <small>A CANARM COMPANY</small> #7686 Concession 16, RR 4 Arthur, ON, Canada N0G 1A0 Tel: (519) 848-3910	TITLE:	PRP CHIMNEY - SLANT MOUNT	DATE:	
	PART/PROJECT#:		DRAWN BY:	R.S.
	REVISED:		SCALE:	N.T.S.
			CAD FILE:	FRPSLANT

# SCISSOR TRUSS



**RIDGE VIEW OF PRP CHIMNEY WITH INSULATED, SLOPED CEILING**

FRAMING OPENING:

CHIMNEY  
SIZE:

ROUGH SIZE  
OPENING ("X")

24" PRP CHIMNEY  
30" PRP CHIMNEY  
36" PRP CHIMNEY

26-1/4" x 26-1/4"  
30-1/2" x 30-1/2"  
38-1/4" x 38-1/4"

NOTES:

FASTEN CHIMNEYS INTO PLACE USING  
#12 x 3 1/2" LONG WOOD SCREWS

ABOVE DETAILS FOR SALES PURPOSES ONLY.  
SEE DETAILED FRAMING DRAWINGS FOR MORE  
INFORMATION.

**FAROMOR**  
A CANARM COMPANY

#7686 Concession 16, RR 4  
Arthur, ON, Canada N0G 1A0  
Tel: (519) 848-3910

**TITLE:** RIDGE MOUNTED PRP CHIMNEY  
WITH INSULATED, SLOPED CEILING

**PROJECT / OWNER:**

**DRAWN:** FEBRUARY 2004

**DWG. FILE:** 05-FRP-RIDGE-SLOPED