



# Vinyl Roller Curtain

## INSTALLATION MANUAL



P.O. Box 279  
Shakespeare, ON  
NOB 2P0

1-800-960-4002  
[www.faromor.com](http://www.faromor.com)

April 2018



# Table of Contents

Page 3	-	<b>Introduction</b>
	-	<b>General Considerations</b>
Page 4	-	<b>Framing Details</b>
		<i>Page 4a: Front view</i>
		<i>Page 4b: Side view</i>
Page 5-6	-	<b>Parts List</b>
Page 7-13	-	<b>Installation Instructions:</b>
		<i>Page 7: End bracket</i>
		<i>Page 7: Roller tube and curtain assembly</i>
		<i>Page 8: Rigid conduit installation</i>
		<i>Page 8: Centre support mounting</i>
		<i>Page 9: Manual operator hardware</i>
		<i>Page 9: Roller tube motor assembly</i>
		<i>Page 10: Power operated assembly</i>
		<i>Page 10: Manually operated assembly</i>
		<i>Page 11: Sidewall seal installation</i>
		<i>Page 11: Valance mounting options</i>
		<i>Page 12: 2x2 angle installation</i>
		<i>Page 12: Valance assembly</i>
		<i>Page 13: Valance installation</i>
		<i>Page 14: Limit switch setting</i>
Page 15	-	<b>“Finishing Tips and Touches”</b>
Page 15	-	<b>Warranty Policy</b>



# Introduction

The vinyl roller curtain is a one piece, custom sized curtain that provides milking centre separation.

Acting as a divider between the parlour and holding area, this curtain can be raised during milking times and closed between milkings, allowing for increased heat saving during parlour down time.

The heavy duty vinyl material is available in a wide variety of colours and comes with a bottom flap for full floor seal and wear strips for roller tube supports on extended spans.

The roller curtain can be operated by manual crank or by power drive unit with built in limit switches. Other options include sidewall seals for draft free operation, and vinyl valance curtain for aesthetic finish.

## General Considerations

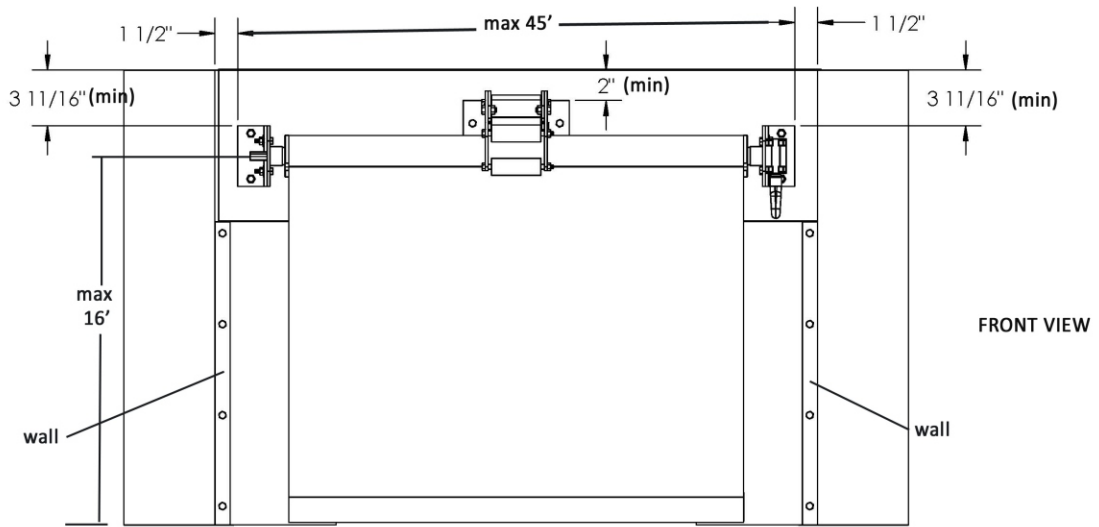
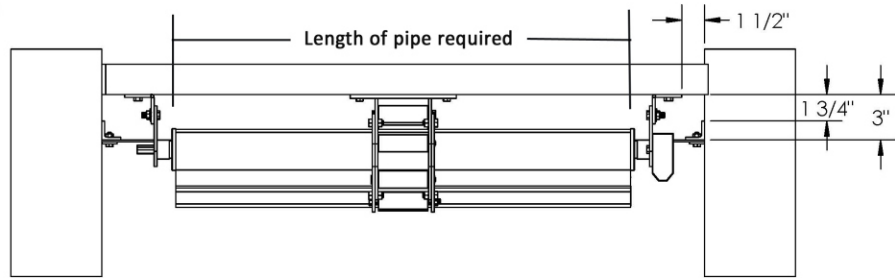
**\*\*Please read the following notes prior to installing the Vinyl Roller Curtain:**

- 1) Read all instructions prior to beginning installation to familiarize yourself with parts and terminology.
- 2) Confirm what appendixes are required for your specific installation (manual vs automatic, centre supports, sidewall seals)
- 3) Watch for "Faromor Tips" on installation pages for pointers that will assist with installation.
- 4) Please read final page "Finishing Tips and Touches" before completing installation.

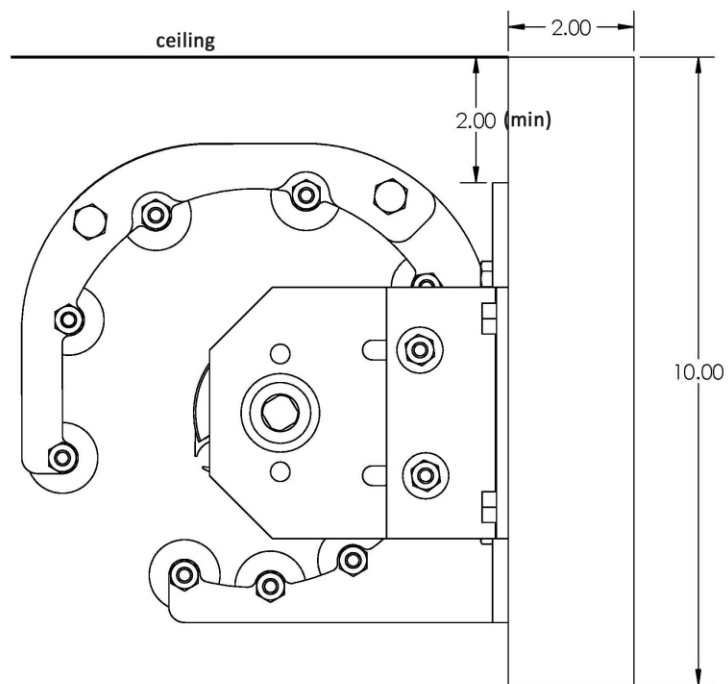


# Framing Detail

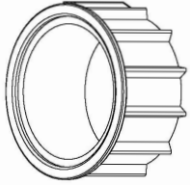
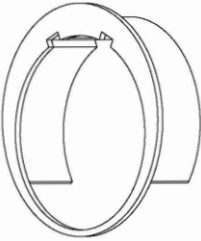
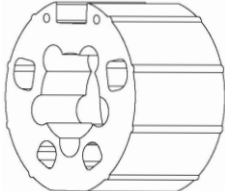
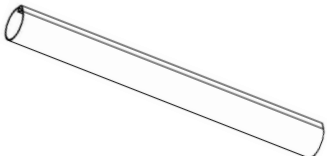
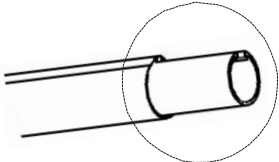

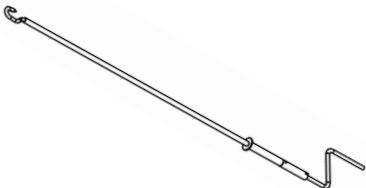
TOP VIEW



END VIEW

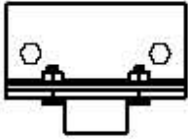
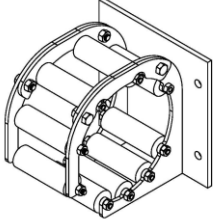
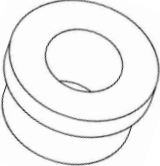
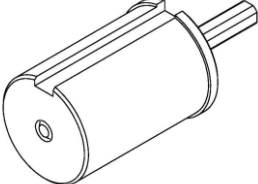
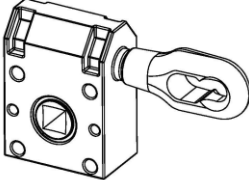




# Parts Listing

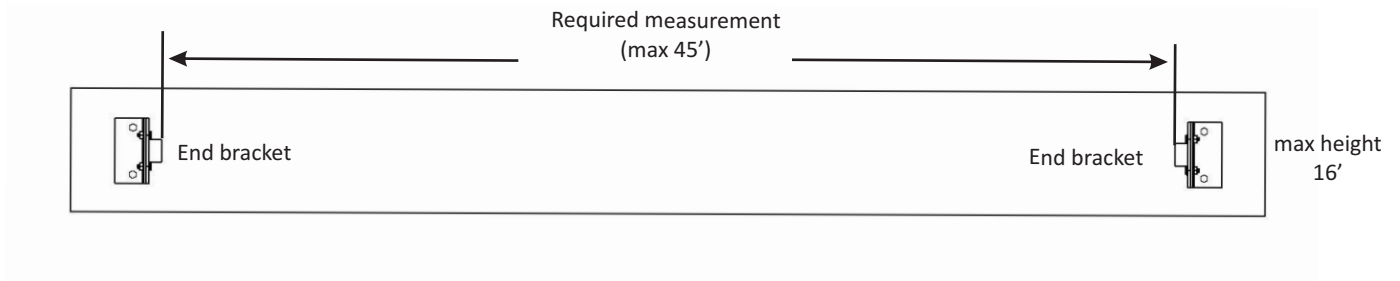
Item #	Part #	Description	Picture
8	09-210-54-02	Small crown adapter	
9	09-210-54-01	Large crown adapter	
10	09-210-54-03	Plastic drive for roller curtain motor	
11	04-204-02	3" aluminum roller tube	
12	04-204-03	Tube joiner for 3" tubing	
13	R316X34	Aluminum rivet - large flange	
14	08-132-16	Hand crank for BRU gearbox	



# Parts Listing

Item #	Part #	Description	Picture
1	04-214-06	Drop tube suspension bracket	
2	04-214-04	Heavy duty centre support	
3	04-204-06-02	Nylon spacer bushing	
4	04-205-01-07	UHMW tube bushing sq pin	
5	04-205-01-01	Bottom roll-up gearbox	
6	09-200-54-04	Universal mounting bracket c/w snap ring	
7	09-110-54	Roller curtain motor (110V/220V)	

# End Bracket Assembly



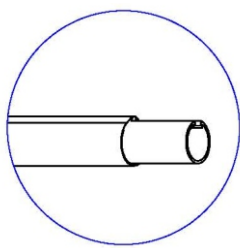
Mount suspension brackets at either end of opening where required for curtain mounting. Keeping top of bracket minimum 4" below ceiling, fasten brackets to the wall. Take accurate measurement between the two brackets to get proper roller tube length.

Once measurement is confirmed remove one of the end brackets from the wall. It is now time to assemble roller tube and curtain. See following page for details.

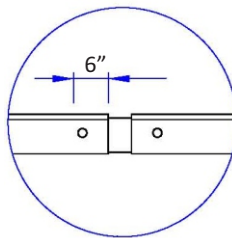
---

## Roller Tube and Curtain Assembly

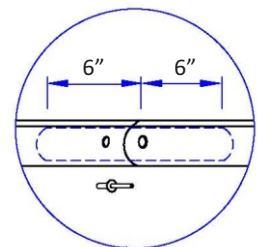
Assembly of roller tube and curtain should be done on the floor prior to mounting to wall.



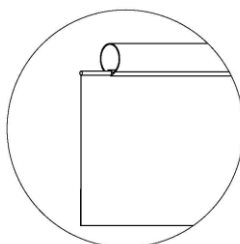
**Step 1:** To join aluminum tube together, insert tube joiner 6" into tube and fasten with rivet provided.



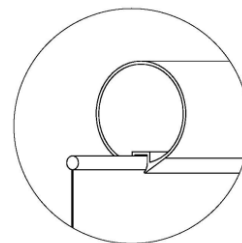
**Step 2:** Take second aluminum tube, slide over joiner and butt up to other tube and fasten with rivet provided.



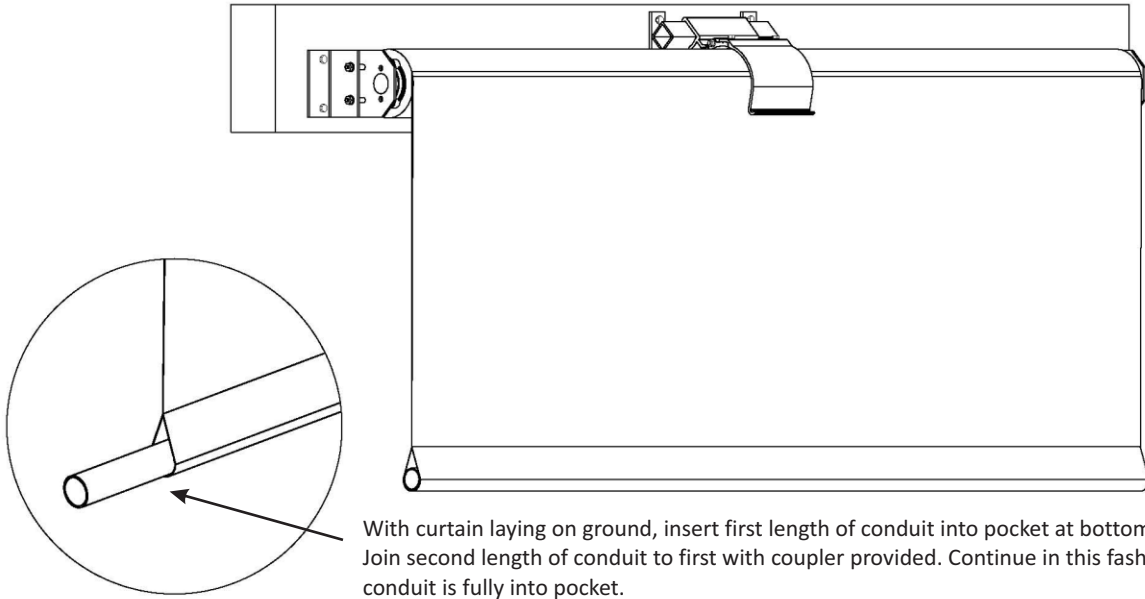
**Step 3:** Cut entire aluminum length to measurement as per page 4



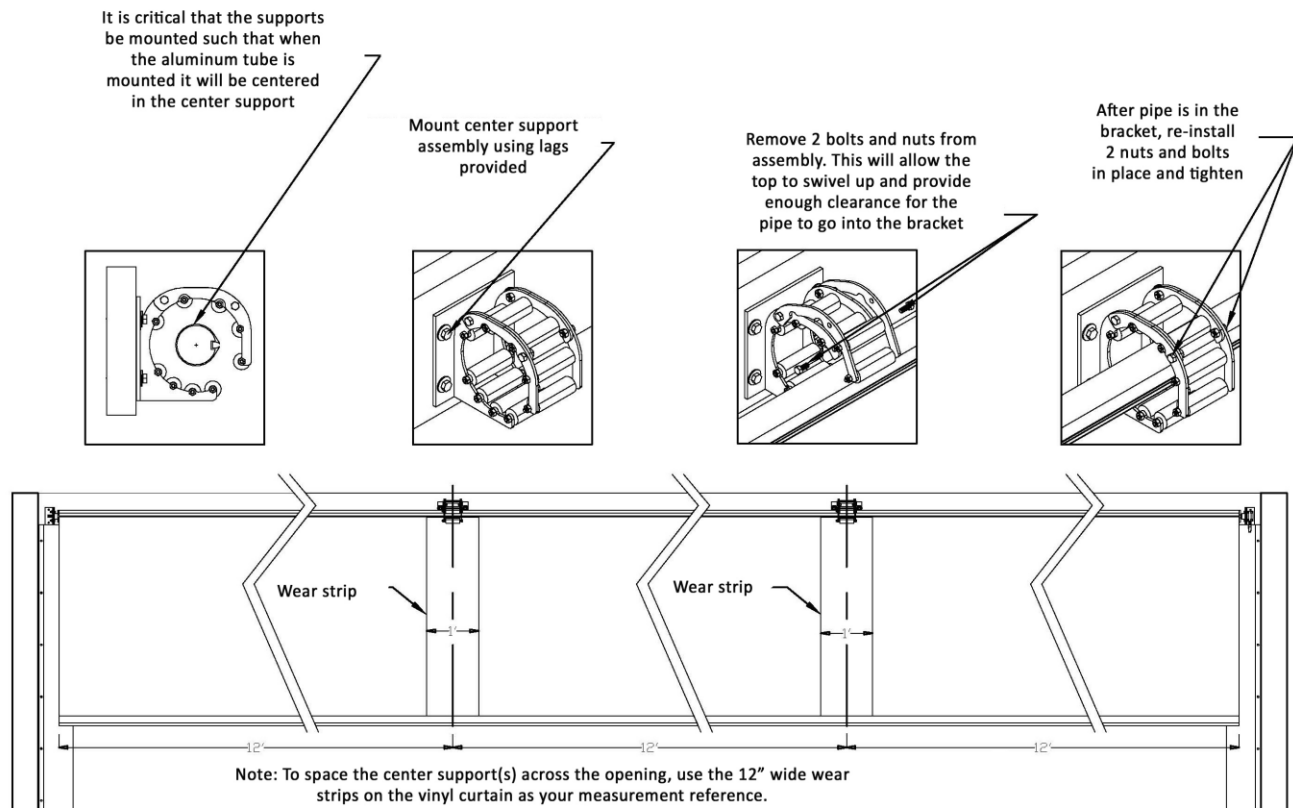
**Step 4:** Lay out vinyl roller curtain and slide aluminum tube onto the rope that is sewn into the curtain. Be sure to pull material tight so there are no wrinkles.



# Rigid Conduit Installation

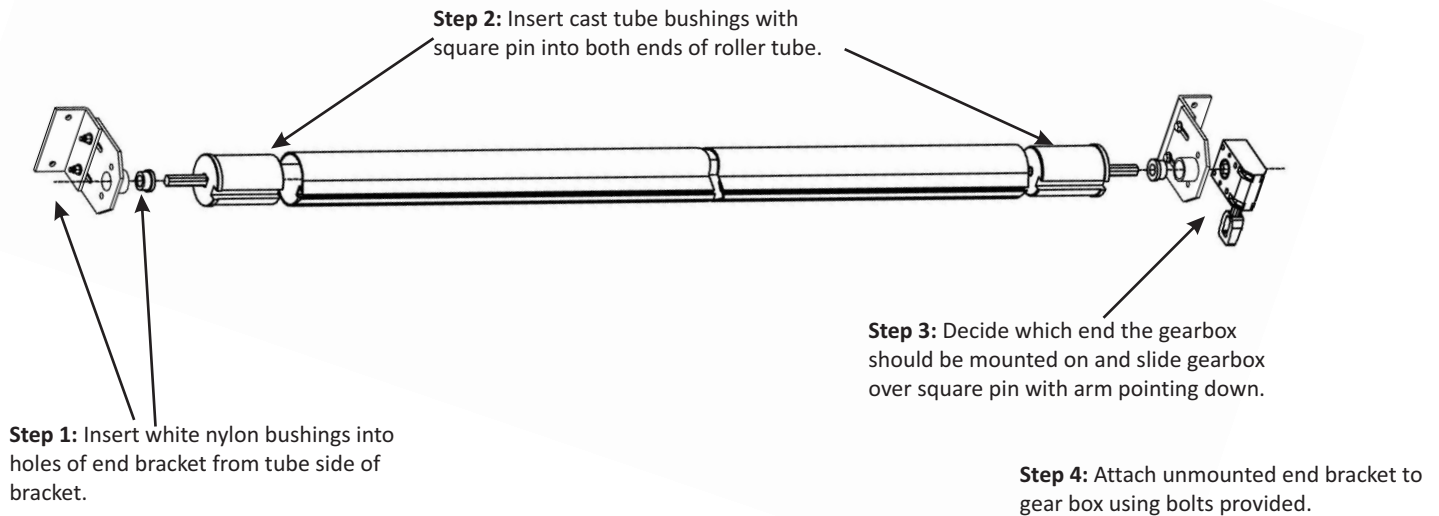


# Centre Support Mounting



# Manual Operator Hardware Installation

For ease of installation most hardware can be assembled prior to lifting tube into place.



**Step 5:** Lift completed unit into place between end brackets and slide square pins through bushings in holes of end brackets.

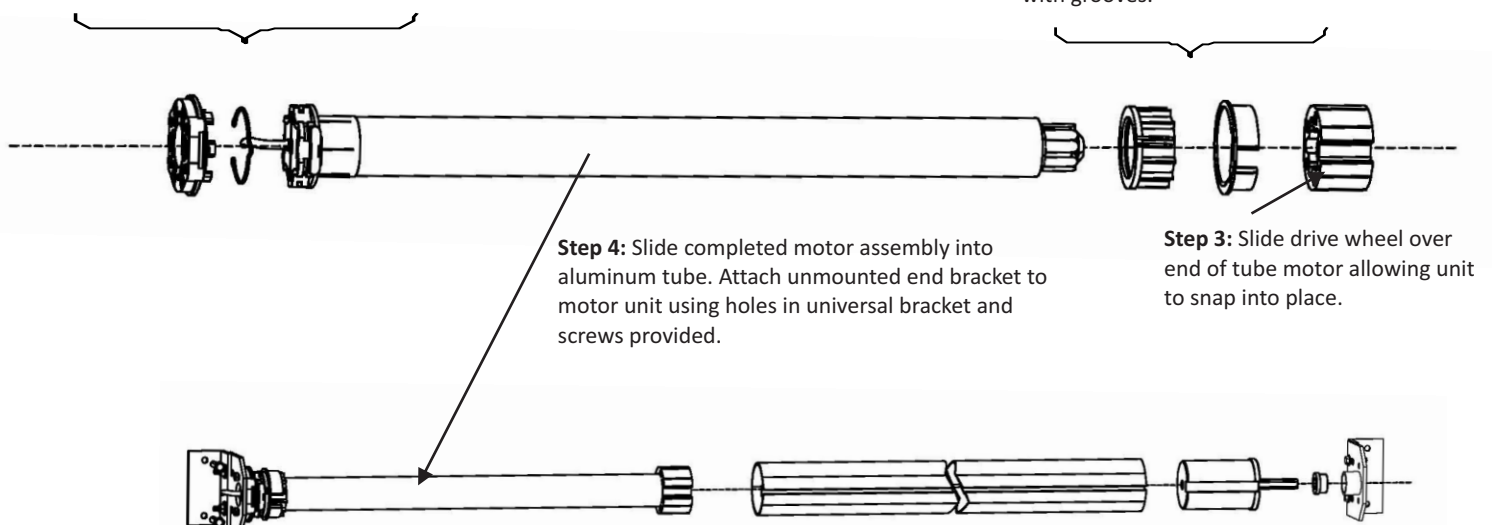
**\*\*Note:** Make sure tube is centred in centre support if centre bracket is being used, and tighten all hardware on end brackets.

---

## Roller Tube Motor Assembly

**Step 1:** Place snap ring over universal mount bracket, thread power cable through hole in universal mount bracket, and snap bracket onto end of tube motor.

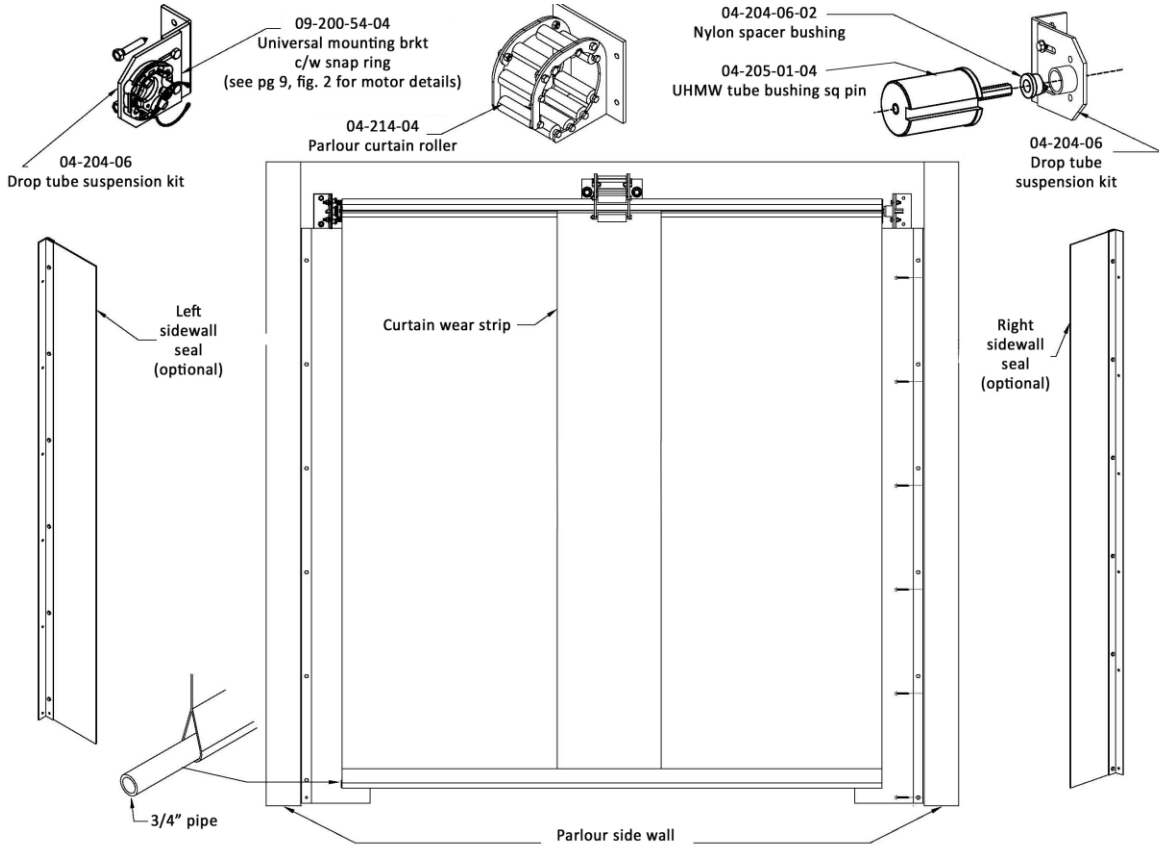
**Step 2:** Slide the plastic drive ring over tube motor to far end lining up with grooves. Slide large crown adapter over drive ring, lining up with grooves.



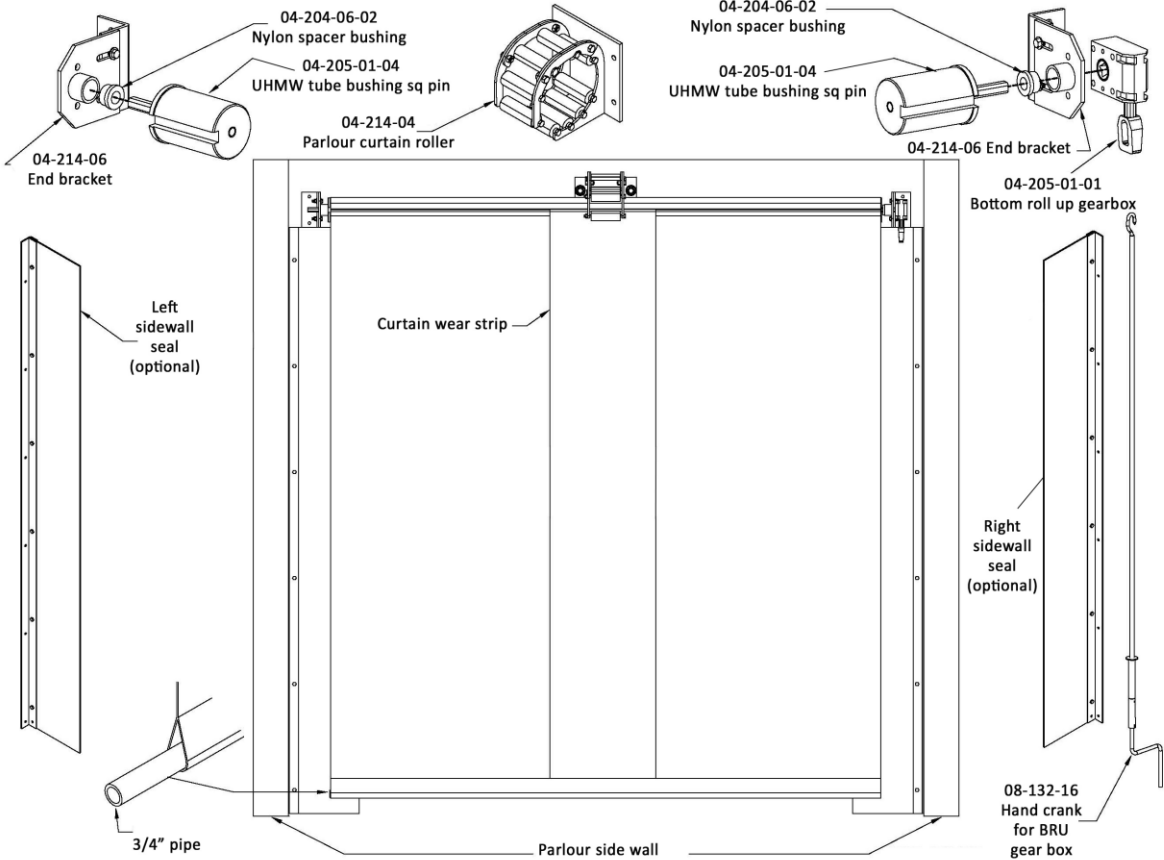
**Step 5:** Lift completed unit into place between end brackets and fasten motor end to bracket with screws provided. To mount non-drive end slide square pins through bushings in hole of end bracket.

**\*\*Note:** Make sure tube is centred in centre support if necessary and tighten all hardware on end brackets.

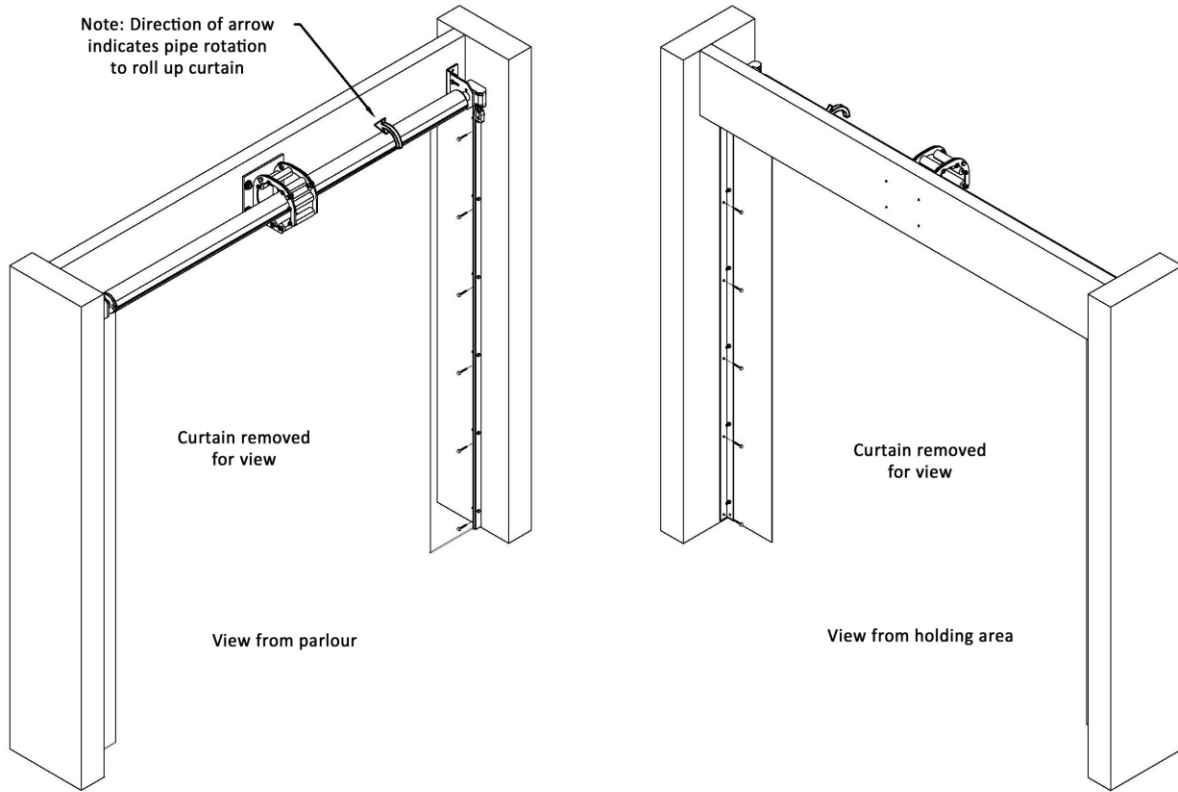
# Power Operated Assembly



# Manually Operated Assembly

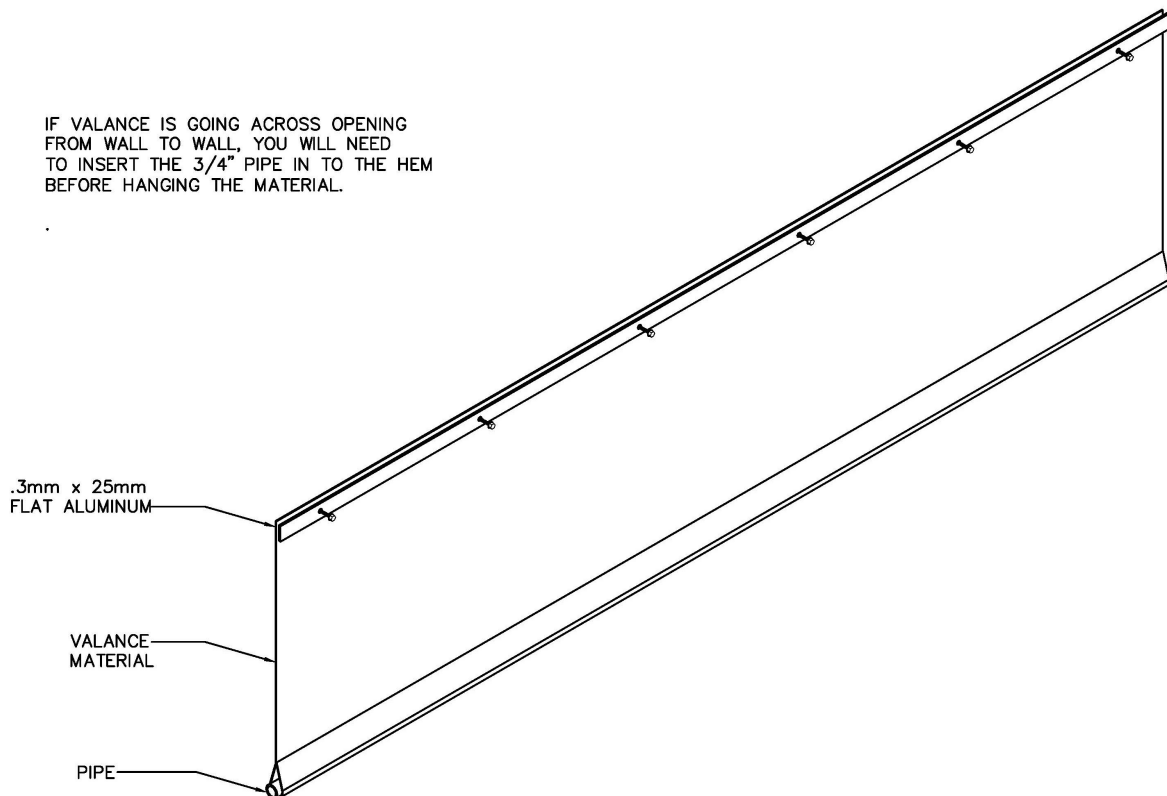


# Rubber Sidewall Seal Mounting



---

IF VALANCE IS GOING ACROSS OPENING FROM WALL TO WALL, YOU WILL NEED TO INSERT THE 3/4" PIPE IN TO THE HEM BEFORE HANGING THE MATERIAL.



## 5. LIMIT SWITCH SETTING

**Two positions have to be set: the UP & DOWN positions, this is where the roller curtain will stop automatically.**

Sequence:

- 1** Wire motor to switch as per wiring/installation recommendations.
- 2** Remove the protective cap covering the limit setting buttons on motor head, and replace when finished.
- 3** Depress fully both limit switch push buttons. They will automatically lock in the down position. Operate the T.C. switch and check that the system operates correctly. Identify the UP limit switch push button (refer to figure used for step 1). Press the T.C. switch in the UP direction until the required position is reached. Set the switch to the center "OFF" position.
- 4** Unlock the UP limit switch push button by depressing and releasing it.
- 5** Repeat the above operation to set the lower limit. Check with the switch that the motor stops at the up & down positions just set.
- 6** Always remember to affix the protective cap over the limit switch buttons.

**NOTE:** Tubular motors are not continuously rated. They have a built-in thermal overload device which limits their operation to approximately 5 minutes.

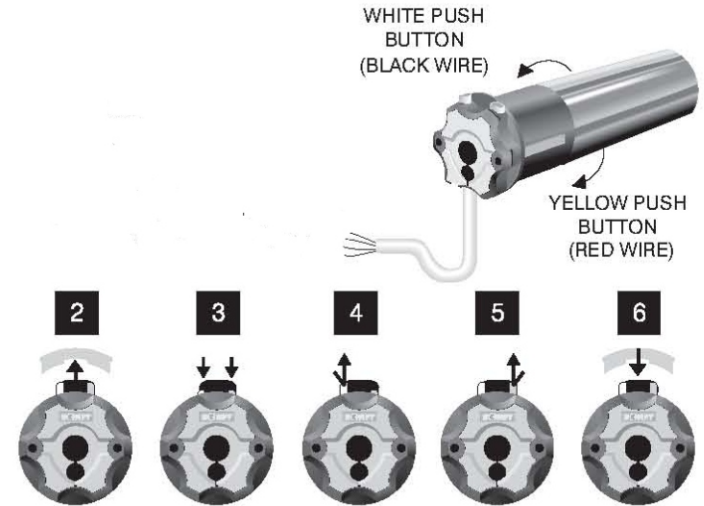
### WIRING/INSTALLATION RECOMMENDATIONS

- A. All wiring must conform to NEC (National Electrical Code) and local codes
- B. Do not wire two or more motors to one SPDT (single pole double throw switch-NO PARALLEL WIRING).
- C. Do not use light switches.

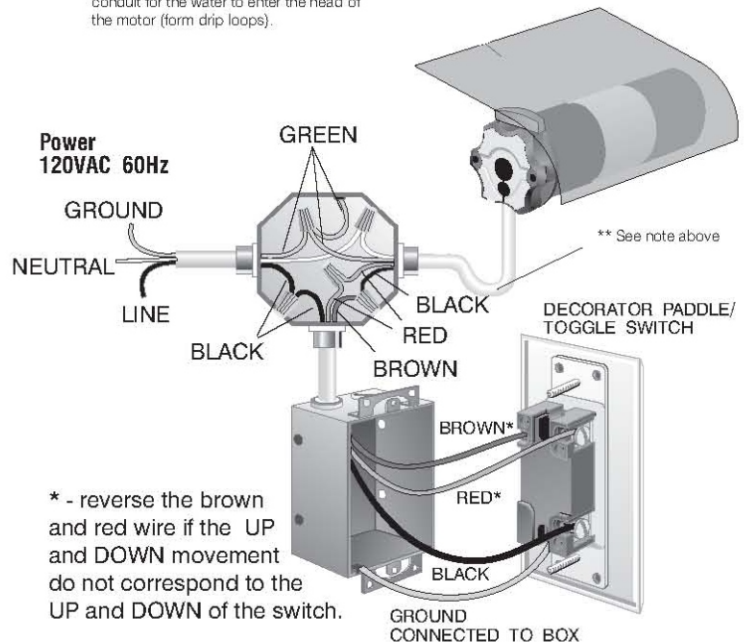
### TROUBLESHOOTING GUIDE

#### SYSTEM DOES NOT RESPOND

- Is the power supply switched on - check any fuses in the system?
- Is control switch wired correctly? Refer to instructions.
- Are limit switches set properly? Review limit switch settings.
- The thermal protective device may have shut the motor off. Wait for the motor to cool down.
- Check the wiring between the motor & the switch.
- Disconnect the switch & test the motor with a tester cable.



\*\* The motor cable should not act as a direct conduit for the water to enter the head of the motor (form drip loops).



#### THE SYSTEM IS NOT STOPPING

- Is the limit switch crown wheel being driven by the tube (has tube profile been properly notched)?
- Is motor drive wheel securely fastened to the tube?

**NOTE:** if the motor is tested outside the tube, the crown wheel has to be manually turned in order to stop the rotation of the output shaft.



# Finishing Tips and Touches

- 1) If curtain material is too wide when mounted, the vinyl can be tripped with sharp knife. It is best to do this while curtain is on floor surface.
- 2) There should be at least 1 full wrap on aluminum roller tube when curtain is fully closed so curtain will roll up smoothly when required to open.
- 3) Ensure limit switches are properly set on motor prior to initial operation to prevent damage to motor and curtain.
- 4) For curtain washing, make sure curtain is in closed position and held in place to prevent excess “swaying” of curtain which can result in curtain dislodgement.

## **WARRANTY POLICY**

Faromor Ltd. Warranty Policy covers all parts manufactured and supplied by Faromor. Warranty starts from date of initial installation of product and lasts one (1) year.

Faromor will also give full warranty on any installation labour we provide for a period of up to one (1) year from date of installation.

All digital thermostats have a two (2) year full warranty.



## CURTAIN SYSTEMS SAFETY PRECAUTIONS

**NOTE: ALL INSTALLATION OF ELECTRICAL CONTROLS SHOULD BE DONE BY A QUALIFIED ELECTRICIAN.**

### General Operation

- Curtains should only be operated when the owner or other responsible persons are in the facility.
- Unauthorized persons or small children should not be near or have access to the outside or inside automatic/manual drive units as they may result in injury. Do not attempt to stop any automatic drive unit by hand while it is in operation.
- Do not attempt to adjust cables or pulleys while system is in operation.
- When making adjustments to automatic drive units, ensure that the override switch is in the “off” position so that the curtain cannot start while any work is being completed.

### Protective Covering

- Ensure that all drive units (manual or automatic) have the covers installed where applicable.
- Electrical motors mounted on outside of building should be covered to prevent damage.

## CURTAIN SYSTEMS MAINTENANCE

### RAW/BRU/STD/STDS

- All cables (main and pull-ups) should be checked on a monthly basis to ensure proper operation. Over time, some cables may stretch causing uneven pull up of curtain system. Where necessary, loosen cable clamp, pull cable tight and re-fasten clamp when curtain is level.
- Ensure all cable clamps are tightly secured so it does not result in drop cables coming loose.
- Ensure curtains remain pulled tight from one end to the other. If curtain seems to be bunching or creasing, curtain may need to be tightened.
- Check all pulleys for excess wear on wheels that may cause cable to get caught.
- Periodically check over aluminum tubes to ensure they are connected tightly.
- Check end pockets to ensure all nuts and bolts are tightly secured.
- Tighten windropes as necessary to make sure there is no slack.
- For bottom roll-up systems, ensure aluminum track is clear of any debris and that gearbox wheels are turning smoothly.

### PRC

- Ensure all mounting brackets are secured tightly to wall and to end of aluminum tube.
- Periodically check that center support rollers are rolling properly and not seized.
- If applicable, ensure valance does not get caught in roller tube.
- Check for wear on sidewall seals periodically if heavy cow traffic is an issue.

**NOTE: FOR ANY SERVICE ON THERMOSTATS OR AUTOMATIC DRIVE UNITS, PLEASE CONTACT A FAROMOR SERVICE REPRESENTATIVE FOR ASSISTANCE. FOR ADJUSTMENT OF LIMIT SWITCHES SEE INSTALLATION MANUALS – ELECTRICAL SECTION.**

**General Cleaning:**

- Use mild soap or detergents for cleaning any of our Faromor products – do not use solvents or aggressive cleaning agents.
- High pressure washers can be used on all products but maintain a minimum distance from product of approximately 1m so as not to put too much pressure on the material – especially fabric curtains.
- Ensure rolling curtains are in the fully closed position when washing so that excess water does not get caught in the rolls of the fabric – allow the water to run completely off the curtains.
- Avoid direct pressure on any curtain area that has an existing hole or ClearVu panel that has an existing crack – the added water pressure may cause more damage at those locations.
- **FOR DRIVE UNITS** – it is recommended to do a simple hand cleaning of the units with warm water and avoid excess water around the motor, wiring or vent plugs so no water will enter the gears or damage the wiring – this will cause premature failure.

**NOTE: DO NOT USE HIGH PRESSURE WASHERS OR WATER OF ANY KIND TO CLEAN DRIVE UNITS OR THERMOSTATS – THIS WILL DAMAGE THE UNITS.**