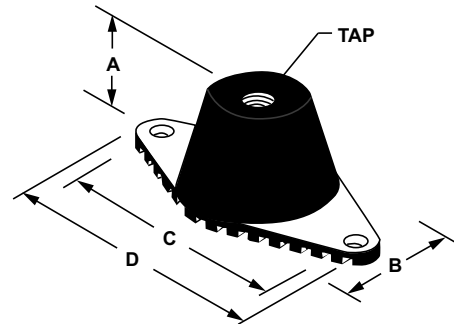


VIBRATION ISOLATORS RUBBER

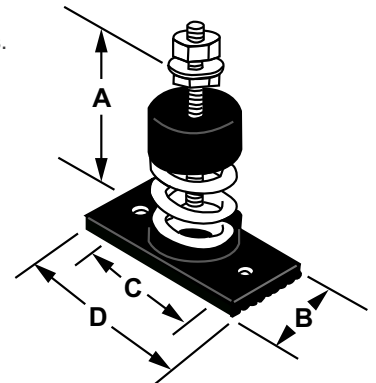
- Rubber-in-shear isolators.
- Reduces vibration transmission to floors or roof surfaces.
- Suitable for indoor and outdoor use.



BLOWER MODEL	QUANTITY REQUIRED	RUBBER VI-RS	RATED LOAD	COLOUR	RATED DEFLECTION	DIMENSION				TAP SIZE
						A	B	C	D	
207, 209, 210, 212, IDB7-12, 207-2, 9209, 9210, DSQ-B-10,12,13,15,16, 407, 409, 410, 412, 415, 610, 612, 809, 810, 812, 815, 907, 909, 910, 912, 915, 918, BI-10, DPL-12,13,15,16,18,	4	R-B-8860041	40 lbs	Red	0.35"	1-1/4"	1-3/4"	2-3/8"	3-1/8"	11/32"
615, BI-12, BI-13, BI-15, DPL-12,13,15,16,18, DPL Units WITH MOTOR BASE & PLATFORM	6	R-B-8860041	40 lbs	Red	0.35"	1-1/4"	1-3/4"	2-3/8"	3-1/8"	11/32"
215, IDB15, 209-2, 210-2, 212-2, 9212, 9215, 9209-2, 9210-2, DSQ-B-18,20,22, 418, 818, DPL-20,22,24,27,30	4	R-B-8860042	115 lbs	Black	0.35"	1-1/4"	1-3/4"	2-3/8"	3-1/8"	11/32"
618, BI-16, BI-18, DPL-20,22,24,27,30 DPL Units WITH MOTOR BASE & PLATFORM	6	R-B-8860042	115 lbs	Black	0.35"	1-1/4"	1-3/4"	2-3/8"	3-1/8"	11/32"
215-2, 9212-2, 9215-2, DSQ-B-24,27, 420, 422, 425,420, DPL-33,36	4	R-B-8860043	165 lbs	Red	0.40"	1-3/4"	2-3/8"	3"	3-7/8"	11/32"
BI-20, BI-22, BI-24, BI-27, BI-30, DPL-33,36 DPL Units WITH MOTOR BASE & PLATFORM	6	R-B-8860043	165 lbs	Red	0.40"	1-3/4"	2-3/8"	3"	3-7/8"	11/32"
9218, 218, 9220, 920, 922, 925	4	R-B-8860044	300 lbs	Red	0.50"	1-3/4"	2-3/8"	3"	4"	1/2"
620, 622, 625, BI-33, BI-36,	6	R-B-8860044	300 lbs	Red	0.50"	2"	2-3/8"	3-1/8"	4"	1/2"
9220-2	4	R-B-8860045	400 lbs	Green	0.50"	2"	2-3/8"	3-1/8"	4"	1/2"

VIBRATION ISOLATORS SPRING

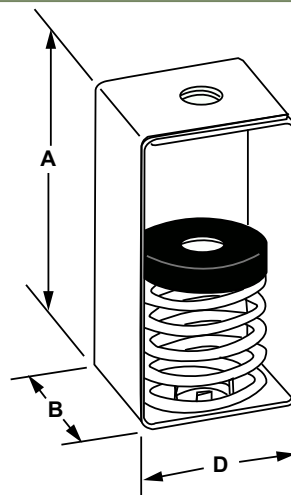
- Spring vibration isolators.
- Reduces vibration transmission to floors or roof surfaces.
- Suitable for indoor use only.



BLOWER MODEL	QUANTITY REQUIRED	SPRING VI-SG	RATED LOAD	COLOUR	RATED DEFLECTION	DIMENSION				STUD DIAMETER
						A	B	C	D	
207, 209, 210, 212, IDB7-12, 207-2, 9209, 9210, DSQ-B-10,12,13,15,16, 407, 409, 410, 412, 415, 610, 612, 809, 810, 812, 815, 907, 909, 910, 912, 915, BI-10, DPL-12,13,15,16,18	4	R-B-8860046	40 lbs	Yellow	1"	4-3/4"	2-1/8"	3"	4"	1/2"
		R-B-8860111	60 lbs	Silver/Blue	1.3"	4-1/2"	4"	5"	6"	1/2"
BI-12, BI-13, BI-15, DPL-12,13,15,16,18 DPL Units WITH MOTOR BASE & PLATFORM	6	R-B-8860046	40 lbs	Yellow	1"	4-3/4"	2-1/8"	3"	4"	1/2"
		R-B-8860111	60 lbs	Silver/Blue	1.3"	4-1/2"	4"	5"	6"	1/2"
215, IDB15, 209-2, 210-2, 212-2, 9212, 9215, 9209-2, 9210-2, DSQ-B-18,20,22, 418, 818, 918, DPL-20,22,24,27,30	4	R-B-8860047	100 lbs	Red	1"	4-3/4"	2-1/8"	3"	4"	1/2"
		R-B-8860112	100 lbs	Silver/Orange	1.3"	4-1/2"	4"	5"	6"	1/2"
615, BI-16, BI-18, DPL-20,22,24,27,30 DPL Units WITH MOTOR BASE & PLATFORM	6	R-B-8860047	100 lbs	Red	1"	4-3/4"	2-1/8"	3"	4"	1/2"
		R-B-8860112	100 lbs	Silver/Orange	1.3"	4-1/2"	4"	5"	6"	1/2"
215-2, 9218, 218, 9220, 9212-2, DSQ-B-24,27, 420, 422, 425, BI-27, BI-30, DPL-33,36	4	R-B-8860048	150 lbs	White	1"	4-3/4"	2-1/8"	3"	4"	1/2"
		R-B-8860113	165 lbs	Silver/Brown	1.2"	4-1/2"	4"	5"	6"	1/2"
618, 620, 622, 625, BI-20, BI-22, BI-24, DPL-33,36 DPL Units WITH MOTOR BASE & PLATFORM	6	R-B-8860048	150 lbs	White	1"	4-3/4"	2-1/8"	3"	4"	1/2"
		R-B-8860113	165 lbs	Silver/Brown	1.2"	4-1/2"	4"	5"	6"	1/2"
9215-2, 920, 922, 925	4	R-B-8860049	210 lbs	Green	1"	4-3/4"	2-1/8"	3"	4"	1/2"
		R-B-8860114	260 lbs	Silver/Black	1.0"	4-1/2"	4"	5"	6"	1/2"
BI-33, BI-36	6	R-B-8860114	260 lbs	Green	1"	4-3/4"	2-1/8"	3"	4"	1/2"
		R-B-8860114	260 lbs	Silver/Black	1.0"	4-1/2"	4"	5"	6"	1/2"
9218-2	4	R-B-8860050	300 lbs	Blue	1"	4-3/4"	2-1/8"	3"	4"	1/2"
		R-B-8860115	370 lbs	Silver/Yellow	0.8"	4-1/2"	4"	5"	6"	1/2"
9220-2	4	R-B-8860051	400 lbs	Orange	1"	4-3/4"	2-1/8"	3"	4"	1/2"
		R-B-8860116	450 lbs	Silver/Red	0.5"	4-1/2"	4"	5"	6"	1/2"

VIBRATION ISOLATORS HANGING

- Hanging rubber-in-shear isolators.
- Reduces vibration transmission to floors or roof surfaces.
- Suitable for indoor and outdoor use.

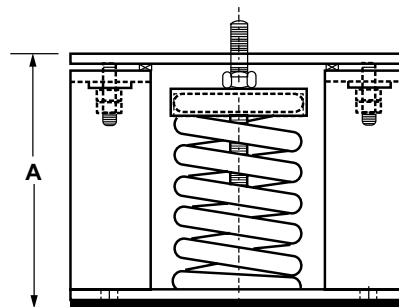
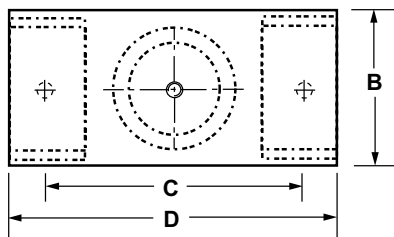


BLOWER MODEL	QUANTITY REQUIRED	HANGER VI-SH	WEIGHT CAPACITY	COLOUR	RATED DEFLECTION	DIMENSION			HANGER VI-SH
						A	B	D	
207, 209, 210, 212, IDB7-12, 9209, 9210, DSQ-B-10,12,13,15,16, DSQ-B-18,20,22, 407, 409, 410, 412, 415, 809, 810, 812, 907, 909, 910, 912,	4	R-B-8860058	60 Lbs	Silver/Blue	1.3"	4-1/2"	2-1/4"	3"	Up to 1/2" Rod
215, IDB15, 207-2, 209-2, 210-2, 212-2, 9212, 9215, 9209-2, 9210-2, 418, 815, 818, 915, 918	4	R-B-8860059	100 lbs	Silver/Orange	1.3"	4-1/2"	2-1/4"	3"	Up to 1/2" Rod
215-2, 9218, 218, 9212-2, DSQ-B-24,27, 420, 422, 425,	4	R-B-8860060	165 lbs	Silver/Brown	1.2"	4-1/2"	2-1/4"	3"	Up to 1/2" Rod
9220, 9215-2, 920, 922, 925	4	R-B-8860061	260 lbs	Silver/Black	1.0"	4-1/2"	2-1/4"	3"	Up to 1/2" Rod
9218-2,	4	R-B-8860062	370 lbs	Silver/Yellow	0.8"	4-1/2"	2-1/4"	3"	Up to 1/2" Rod
9220-2	4	R-B-8860063	450 lbs	Silver/Red	0.5"	4-1/2"	2-1/4"	3"	Up to 1/2" Rod



VIBRATION ISOLATORS OUTDOOR SPRING

- Spring vibration isolators.
- Reduces vibration transmission to floors or roof surfaces.
- Designed for outdoor use. Housed to resist lateral motion from winds.



BLOWER MODEL	QUANTITY REQUIRED	OUTDOOR ISOLATORS	WEIGHT	COLOUR	RATED DEFLECTION	DIMENSION				STUD DIAMETER
						A	B	C	D	
9209, 9210, BI-10,	4	R-B-8860052	60 lbs	Silver/Blue	1.3"	5-5/8"	3"	4-1/2"	6"	1/2"
BI-12, BI-13, BI-15	6	R-B-8860052	60 lbs	Silver/Blue	1.3"	5-5/8"	3"	4-1/2"	6"	1/2"
9212, 9215	4	R-B-8860053	100 lbs	Silver/Orange	1.3"	5-5/8"	3"	4-1/2"	6"	1/2"
615, BI-16, BI-18	6	R-B-8860053	100 lbs	Silver/Orange	1.3"	5-5/8"	3"	4-1/2"	6"	1/2"
9218, 218	4	R-B-8860054	165 lbs	Silver/Brown	1.2"	5-5/8"	3"	4-1/2"	6"	1/2"
618, BI-20, BI-22, BI-24, BI-27, BI-30	6	R-B-8860054	165 lbs	Silver/Brown	1.2"	5-5/8"	3"	4-1/2"	6"	1/2"
9220	4	R-B-8860055	260 lbs	Silver/Black	1.0"	5-5/8"	3"	4-1/2"	6"	1/2"
620, 622, 625, BI-33, BI-36	6	R-B-8860055	260 lbs	Silver/Black	1.0"	5-5/8"	3"	4-1/2"	6"	1/2"
9209-2, 9210-2	4	R-B-8860053	100 lbs	Silver/Orange	1.3"	5-5/8"	3"	4-1/2"	6"	1/2"
9212-2	4	R-B-8860054	165 lbs	Silver/Brown	1.2"	5-5/8"	3"	4-1/2"	6"	1/2"
9215-2	4	R-B-8860055	260 lbs	Silver/Black	1.0"	5-5/8"	3"	4-1/2"	6"	1/2"
9218-2	4	R-B-8860056	370 lbs	Silver/Yellow	0.8"	5-5/8"	3"	4-1/2"	6"	1/2"
9220-2	4	R-B-8860057	450 lbs	Silver/Red	0.5"	5-5/8"	3"	4-1/2"	6"	1/2"