

## VERY LIGHT DIGITAL (VLD) CONTROLLER

### KEY FEATURES

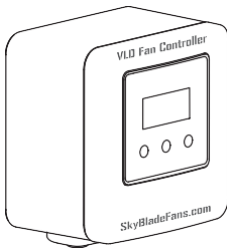


- Easily mounted to wall.
- Control each fan individually.
- Operate your fans for cooling and destratification.
- Manually control each fan's forward speed.
- 3-digit, 7-segment display and 3-button keyboard interface.

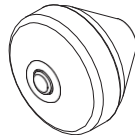
### TECHNICAL SPECIFICATIONS

<b>Power Supply</b>	110-230 VAC $\pm$ 10%/50-60 Hz (field supplied)
<b>Dimensions</b>	3.125" W x 3.125" H x 2.25" D
<b>Weight</b>	0.5 lb.
<b>Language Protocol</b>	0-10v signal
<b>User Interface</b>	Digital
<b>Enclosure</b>	ASA plastic
<b>Fans/Control</b>	Single fan control
<b>Power Consumption</b>	0.5W power consumption
<b>Connections</b>	2-core shielded wire (fieldsupplied)
<b>Max Cable Length</b>	100 Ft.
<b>Rating</b>	IP44 (inset), IP54 (surface)

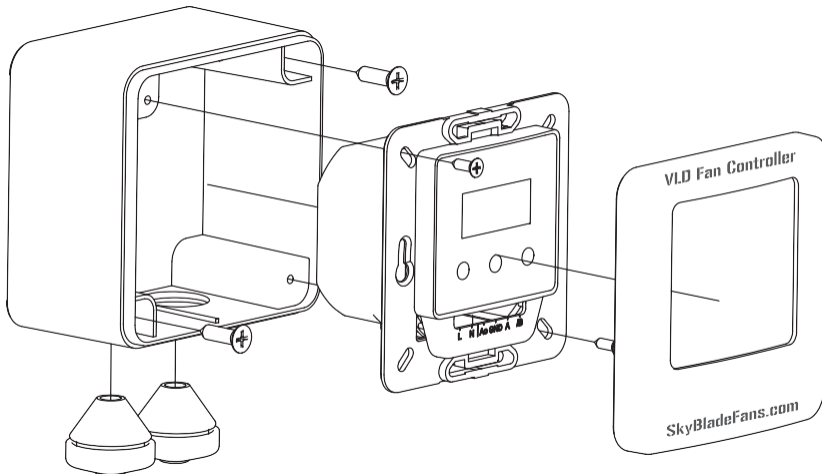
### VLD PACKAGE CONTENTS & ASSEMBLY



**A. VLD Controller**  
(x1)

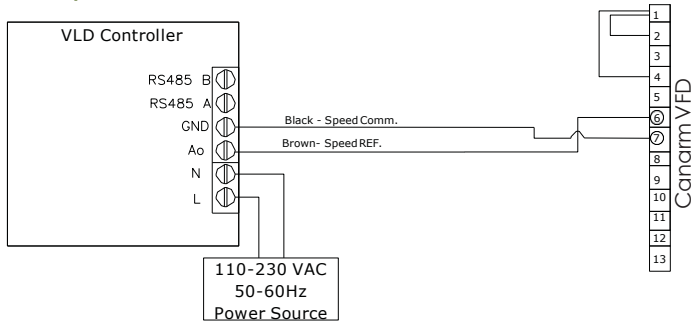


**B. Plastic Bushing**  
(x2)

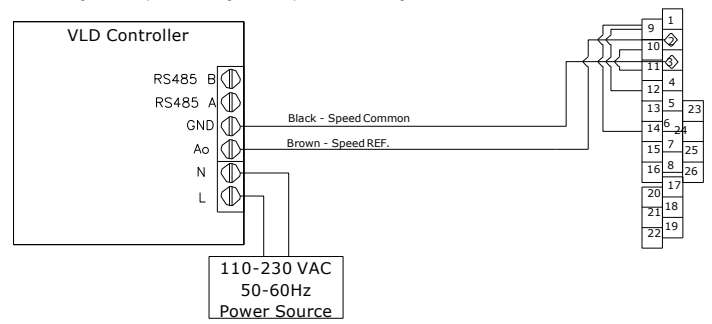


**WIRING DIAGRAM - GEARED DRIVE FAN**

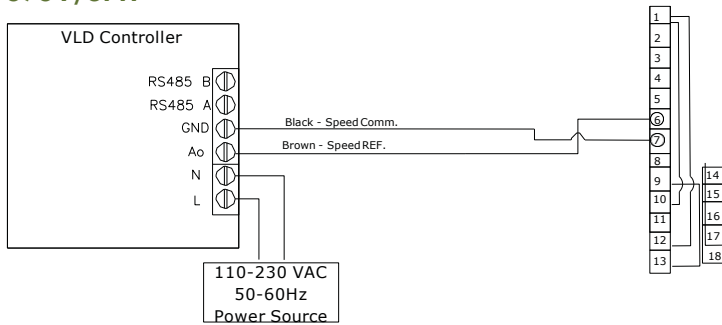
**120V/1PH**



**230V/1PH, 230V/3PH, & 460V/3PH**

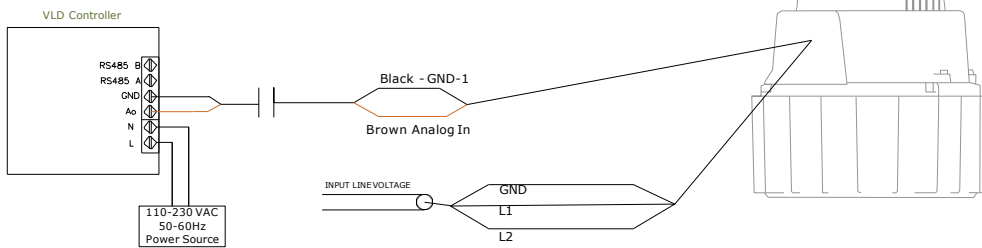


**575V/3PH**



**WIRING DIAGRAM - DIRECT DRIVE FAN**

**120V/1 PH & 230V/1PH**



**230V/3 PH & 460V/3PH**

