

VKM SERIES

Inline Centrifugal Metal Fan



For high static pressure applications - ideal for bathroom exhaust, kitchen ventilation, living areas, whole house ventilation, duct boosting, workshops & smoking areas, offices, bars & restaurants and warehouses.

VENTS VKM series inline centrifugal duct fans are designed for residential and commercial ventilation applications. In-line configuration simplifies installation and offer maintenance free operation.

All VKM models are designed for standard diameter round ducting and range from 4" to 12" in size with airflows ranging up to 985 CFM. The fan's housing is made of steel with polymer coating. The quiet and efficient backward curved impeller is capable of operating in high-pressure systems.

The VKM series can eliminate many ventilation problems as they are designed to boost airflow through long or complex duct runs. The most common uses are bathroom exhaust, range hood exhaust and duct boosting.

FEATURES

- High air volume and static pressure applications.
- Quiet & efficient, vibration free operation.
- Durable and corrosion resistant casing.
- Reliable external rotor motor design.
- Permanently lubricated ball bearing motor for maintenance free operation.
- Automatic reset thermal overload protection.
- Pre-wired and supplied with mounting bracket for easy installation.
- Rated for continuous operation.
- Strong construction for long life.
- Three year warranty.



Conforms to UL Std. UL705
Certified to CSA Std. CSA 22.2#113

PERFORMANCE SPECIFICATIONS

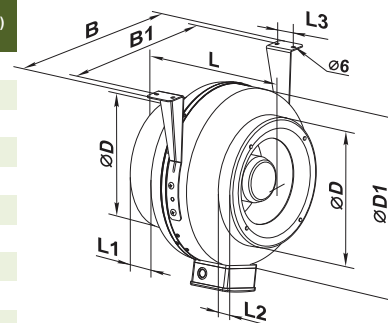
MODEL	RPM*	SONES	WATTS*	AMPS*	DUCT DIA.	CFM VS. STATIC PRESSURE (Ps) IN WG										VOLTS	
						0"	.125"	0.2"	.25"	.375"	0.5"	.75"	1"	1.25	1.5		2.5"
VKM100	3000	6.91	108	0.90	4"	174	167	162	159	151	142	124	106	84	60	-	120
VKM125	2950	6.8	112	0.97	5"	239	228	222	217	205	192	165	130	102	72	-	120
VKM150	2400	6.6	110	0.90	6"	325	292	275	265	241	214	172	139	107	67	-	120
VKM200	2520	7.6	195	1.63	8"	541	502	480	464	428	391	320	265	222	183	36	120
VKMS200	2745	8.3	240	2.14	8"	657	640	632	625	608	590	550	498	434	370	112	120
VKM250	2516	8.2	232	1.95	10"	678	638	613	599	550	479	408	340	292	248	90	120
VKM305	2981	8.35	244	2.10	12"	784	756	738	727	698	669	611	542	480	428	168	120
VKMS305	2320	8.42	272	2.42	12"	985	920	890	869	818	773	680	594	512	441	210	120
VKM355 Q**	2250	7.3	297	1.3	14"	1300	1259	1236	1177	1118	1059	941	618	235	-	-	230
VKM400**	1585	7.5	673	3.05	15.75"	1765	1706	1618	1545	1510	1471	1294	1088	882	588	-	230
VKM450**	1560	7.4	1250	5.4	17.75"	3096	3110	2972	2942	2897	2795	2589	2295	1765	1236	-	230

* The parameters RPM, Watts, Amps are indicated at 0.2 in WG static pressure.

** Special order - please call factory

DIMENSIONS

MODEL	DIMENSIONS (Inches)									Weight (lbs)
	ØD	ØD1	B	B1	L	L1	L2	L3		
VKM100	3 15/16"	10"	11 3/4"	10 3/16"	8 1/16"	13/16"	1"	1 3/16"	9.7	
VKM125	4 15/16"	10"	11 3/4"	10 3/16"	8 1/16"	13/16"	1"	1 3/16"	9.5	
VKM150	5 7/8"	11 15/16"	13 3/4"	12 3/16"	8 11/16"	1"	1"	1 3/16"	11.9	
VKM200	7 7/8"	13 9/16"	15 3/8"	13 3/4"	9 7/8"	1"	1 1/8"	1 9/16"	14.6	
VKMS200	7 7/8"	13 9/16"	15 3/8"	13 3/4"	9 7/8"	1"	1 1/8"	1 9/16"	14.6	
VKM250	9 13/16"	13 9/16"	15 3/8"	13 3/4"	9 3/16"	1"	1 1/4"	1 9/16"	16.1	
VKM305	12"	15 7/8"	17 3/4"	16 5/16"	10 1/4"	15/16"	1 3/16"	1 9/16"	17.6	
VKMS305	12"	15 7/8"	17 3/4"	16 5/16"	10 1/4"	15/16"	1 3/16"	1 9/16"	17.6	
VKM355 Q	14"	18 1/8"	20 1/2"	20 1/2"	19 15/16"	2 3/8"	2 3/8"	2 3/4"	41.5	
VKM400	15 3/4"	22 7/16"	26 1/8"	25"	22 7/16"	2 3/8"	2 3/8"	2 3/4"	55.2	
VKM450	17 3/4"	23 15/16"	27 9/16"	26 3/8"	25 3/8"	2 3/8"	2 3/8"	3 1/8"	60	



ACCESSORIES

For more information on available accessories, see pages J8-J11 in Accessories & Motors section.