

VKM-ANTIRADON SERIES

Inline Centrifugal Metal Fan



VKM-AntiRADON fans are specially designed with high pressure capabilities for radon mitigation applications.

The fans are specifically designed for radon extract ventilation of basements, cellars, crawl spaces, etc. Compatible with Ø 4", 5", and 6" round air ducts.

Installation is simple with the supplied mounting brackets.



FEATURES

- Voltage: 120V, 60Hz.
- Motor: Single-phase external rotor motor with backward curved centrifugal impellers.
- Duct compatibility: Ø 4", 5", 6".
- Suitable for airstreams up to 122° F.
- IP X4 protection.
- Thermal overload protection.
- Mounting bracket included.
- Three year warranty.

High efficiency backward inclined impeller delivers exceptional airflow even in high static pressure systems.



Dynamically balanced impeller ensures vibration free operation



Factory sealed case, no leakages UV resistant durable UL94 certified plastic



Ball bearings motor ensures low-noise and maintenance-free operation



German made high-efficient external rotor motor



Mounting brackets included

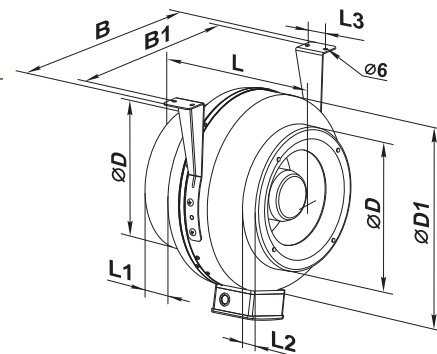
PERFORMANCE SPECIFICATIONS

MODEL	DUCT DIA	RPM*	SONES*	WATTS*	AMPS	CFM vs. Static Pressure (PS0 in WG)											VOLTS
						0"	0.125"	0.2"	0.25"	0.375"	0.5"	0.75"	1.0"	1.25"	1.5"	2.5"	
VKM-AR 100	4"	3000	6.91	108	0.90	174	167	162	159	151	142	124	106	84	60	-	120
VKM-AR 125	5"	2950	6.8	112	0.97	239	228	222	217	205	192	165	130	102	72	-	120
VKM-AR 150	6"	2400	6.6	110	0.90	325	292	275	265	241	214	172	139	107	67	-	120

* The parameter RPM, Sones, and Watts are indicated at 0.2 in WG static pressure.

DIMENSIONS

MODEL	DIMENSIONS (Inches)									WEIGHT (LBS)
	ØD	ØD1	B	B1	L	L1	L2	L3		
VKM-AR 100	3 15/16"	10"	11 3/4"	10 3/16"	8 1/16"	13/16"	1"	1 3/16"	9.7	
VKM-AR 125	4 15/16"	10"	11 3/4"	10 3/16"	8 1/16"	13/16"	1"	1 3/16"	9.5	
VKM-AR 150	5 7/8"	11 15/16"	13 3/4"	12 3/16"	8 11/16"	1"	1"	1 3/16"	11.9	



VKM-ANTIRADON SERIES

Inline Centrifugal Metal Fan

**SOLVE YOUR RADON PROBLEM EFFECTIVELY AND QUICKLY WITH VKM-ANTIRADON FANS.
VKM-ANTIRADON FANS MEET REQUIREMENTS SPECIFICALLY FOR RADON REMOVAL.**

HOW TO MITIGATE RADON CONCENTRATION

Prevent RADON from entering the living quarters from basement by:

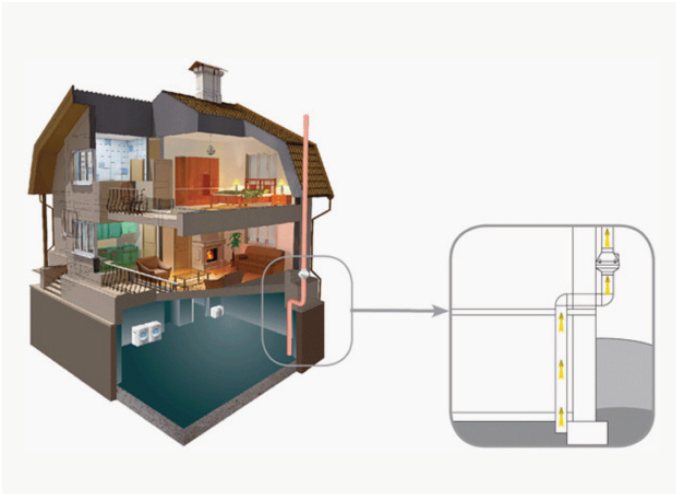
- General ventilation improvement
- Installation of Radon Extraction system in basement
- Underfloor ventilation reinforcement
- Installation of positive pressure or ventilation system

VENTILATION is one of the best ways to eliminate radon from your home.

INSTALLATION

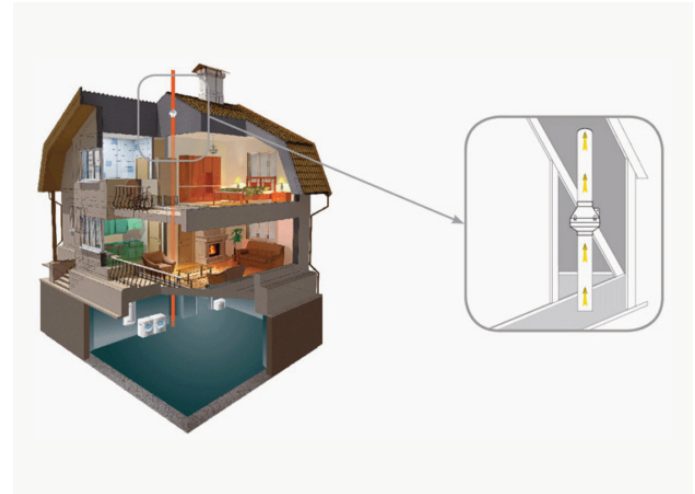
Radon is a colorless, odorless and tasteless natural radioactive gas that can be found anywhere in nature. It is produced by the decay of uranium in soil. Radon becomes a problem when it is trapped in a building and becomes concentrated.

The most effective radon reduction method is the installation of fans that can vent the elevated level of radon outside.



BASEMENT INSTALLATION

The VKM-AntiRADON fan is fixed on the wall. The polluted air is extracted at roof level. The air ducts must be located at least 10' away from any window.



ATTIC INSTALLATION

VKM-AntiRADON fan installed in the attic.

For airtight installation of VKM-AntiRADON fan, rubber collars with stainless clamps are recommended.



*Not supplied with the fan.

ACCESSORIES

For more information on available accessories, see pages J8-J11 in Accessories & Motors section.