

TURBO TUBE PRO SERIES

Super High Powered Inline Fans



Ideal for Kitchens, Pools, Stores, Bars, Restaurants, Offices, Manufacturing Facilities, and more.

TURBO TUBE PRO series is the **NEW IDEAL ENGINEERING SOLUTION** for premises where powerful, yet quiet airflow is required.

The combination of a unique motor, powerful mixed flow impeller and special aerodynamic case enables the **TURBO TUBE PRO** fans to deliver superb airflow performance even at higher static pressure typically found in extensive ventilation systems.



FEATURES

- High Performance: up to 378 CFM.
- Energy Efficient: 38 – 81 w.
- Duct Compatibility: ø4", 5", 6".
- High Pressure.
- Built-in 2-speed switch & power cord included.
- Rotary and removable central "body" for easy installation & maintenance.
- Double-speed capacitor motor with thermal overload protection.
- Long-life ball bearing (up to 40 000 hours).
- Vibration free operation.
- Compact size for limited spaces.
- Lightweight, durable and uv resistant plastic case (flame rating – 5va).
- Corrosion free.
- 3 year warranty.

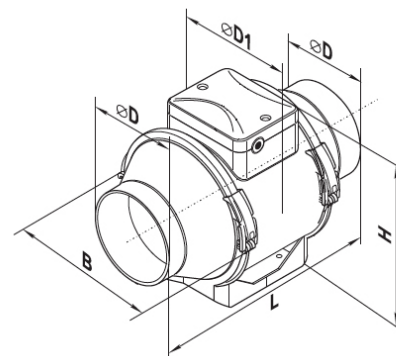
PERFORMANCE SPECIFICATIONS

MODEL	ENERGY STAR CERTIFIED	SPEED	RPM*	DUCT DIA.	WATTS*	AMPS*	CFM VS. STATIC PRESSURE (Ps) IN WG										VOLTS/Hz	
							0"	0.1"	0.2"	0.3"	0.4"	0.5"	0.6"	0.7"	0.8"	0.9"		1.0"
TT PRO 100	yes	high	2927	4"	48	0.4	210	198	184	164	135	107	79	59	44	26	2	120V/60Hz
		low	2414		38	0.32	144	131	121	106	91	70	51	33	14	2	-	
TT PRO 125	yes	high	3003	5"	62	0.53	286	269	250	229	209	154	99	63	31	-	-	120V/60Hz
		low	2570		48	0.42	221	208	192	173	146	106	73	44	9	-	-	
TT PRO 150	yes	high	2981	6"	81	0.69	378	366	355	342	328	313	298	281	259	233	127	120V/60Hz
		low	2432		75	0.64	313	296	278	258	240	219	198	164	121	121	54	

* The parameters RPM, Watts, Amps are indicated at 0.2 in WG static pressure.

DIMENSIONS

MODEL	DIMENSIONS					WEIGHT (lbs)
	ØD	ØD1	B	H	L	
TT PRO 100	3 3/4"	5 1/2"	6 9/16"	7 1/2"	9 11/16"	3.1
TT PRO 125	4 13/16"	5 1/2"	6 9/16"	7 1/2"	9 11/16"	3.1
TT PRO 150	5 3/4"	7 11/16"	8 3/4"	9 13/16"	11 5/8"	6.6

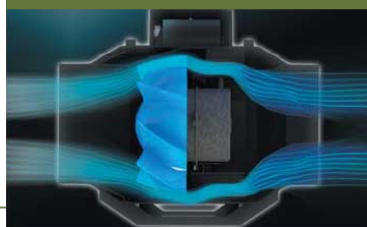


TURBO TUBE PRO SERIES

Super High Powered Inline Fans

INNOVATIVE DESIGN

AERODYNAMIC CASE



The unique motor and special aerodynamic case combination enables the fans to deliver superb airflow performance even at higher static pressure.

NEWLY DESIGNED IMPELLER



The newly designed impeller, due to the specifically changed angle of inclination, provides the most powerful airflow at any pressure in ventilation systems.

EASY TO INSTALL & CLEAN



The removable body, including motor, impeller and junction box, is the ultimate solution for easy installation & cleaning.

EASY CONNECTION



The removable body with the junction box can be rotated 180° to facilitate mounting and wiring.

BUILT-IN SPEED CONTROLLER



The Double-speed motor is controlled with a built-in speed switch.

INTEGRATED MOUNTING BRACKET



The fan case is equipped with a mounting plate to attach the fan to the wall or ceiling.

EASY INSTALLATION



Fix the fan mounting plate on the flat surface.



Install the removable body inside the fan case.



Lock the removable body by clamps with latches



Secure latches by screws.



Attach the ducts with clamps.



Insert the plug into electrical socket - the fan is READY to GO!



Select a required speed by the built-in speed switch. ENJOY the FRESH AIR.



No dismantling or disassembling! Just remove the central body from the case and complete the servicing!

ACCESSORIES

For more information on available accessories, see pages J8-J11 in Accessories & Motors section.