

Touch 'N' Go Premier

KEY FEATURES



- Control multiple fans in groups or individually
- Operate your fans in either forward or reverse
- 0-100% speed control
- Fully digital interface
- Visual indicators of speed and direction
- Password lockout capability

TECHNICAL SPECIFICATIONS

Power Supply	External 24V (supplied)
Dimensions	4.75" W x 7.125" L x 0.5" D
Weight	0.5 lb.
Language Protocol	0-10v signal/CAN
User Interface	7" touchscreen 272 x 480 pixels
Enclosure	Steel
Fans/Control	Up to 10
Power Consumption	0.5W
Connections	4 Core 16 AWG Shielded Wire
Max Cable Length	1,640 Feet (500 meters).
Rating	IP30

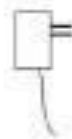
PACKAGE CONTENTS & ASSEMBLY



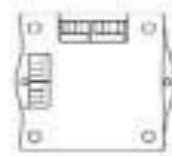
A. TNG Control
(x1)



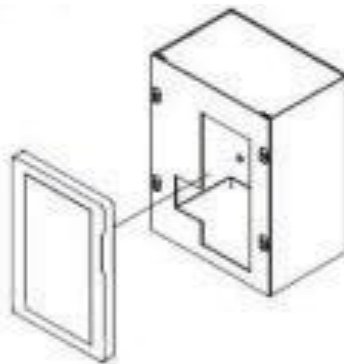
B. Control Cable
(x1)



C. Power Supply

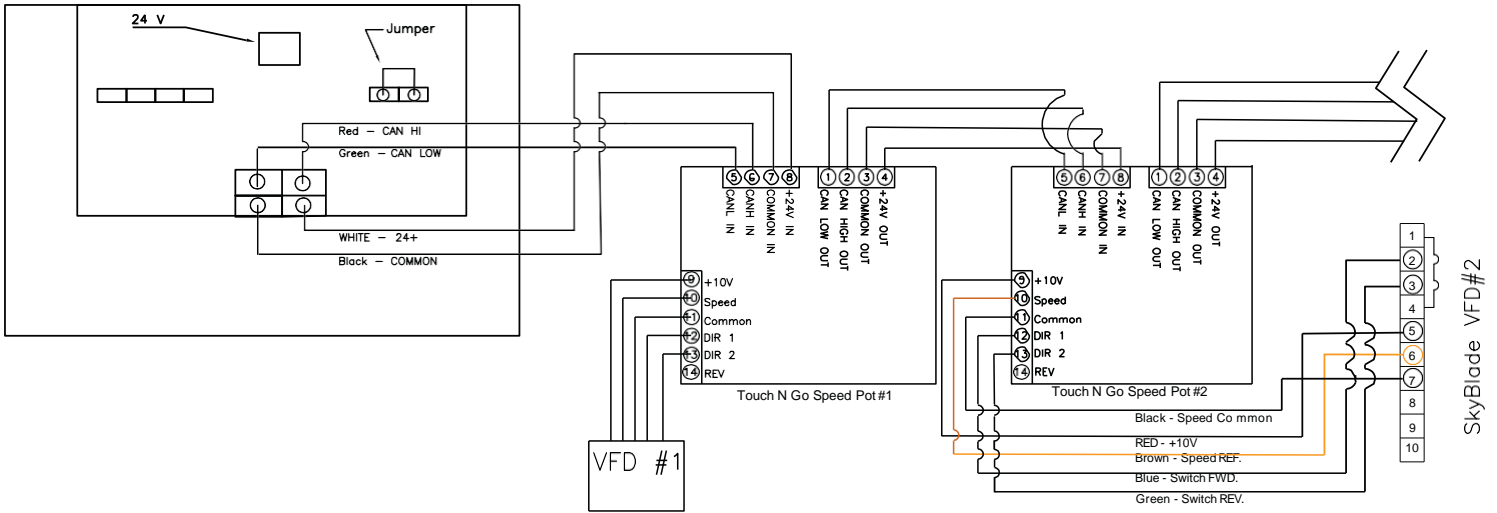


D. Pot Board
(1 per fan)



INTERNAL WIRING DIAGRAMS - GEARED DRIVE

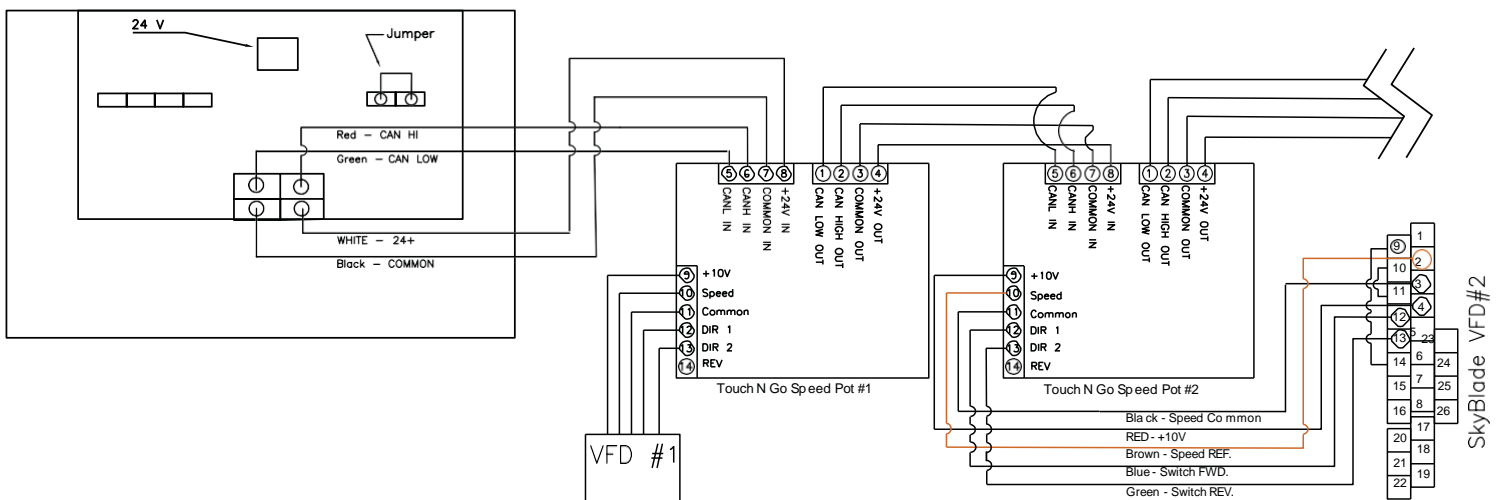
120V/1PH



NOTE: Pot boards must be installed within 15 feet from the fan.

INTERNAL WIRING DIAGRAMS - GEARED DRIVE

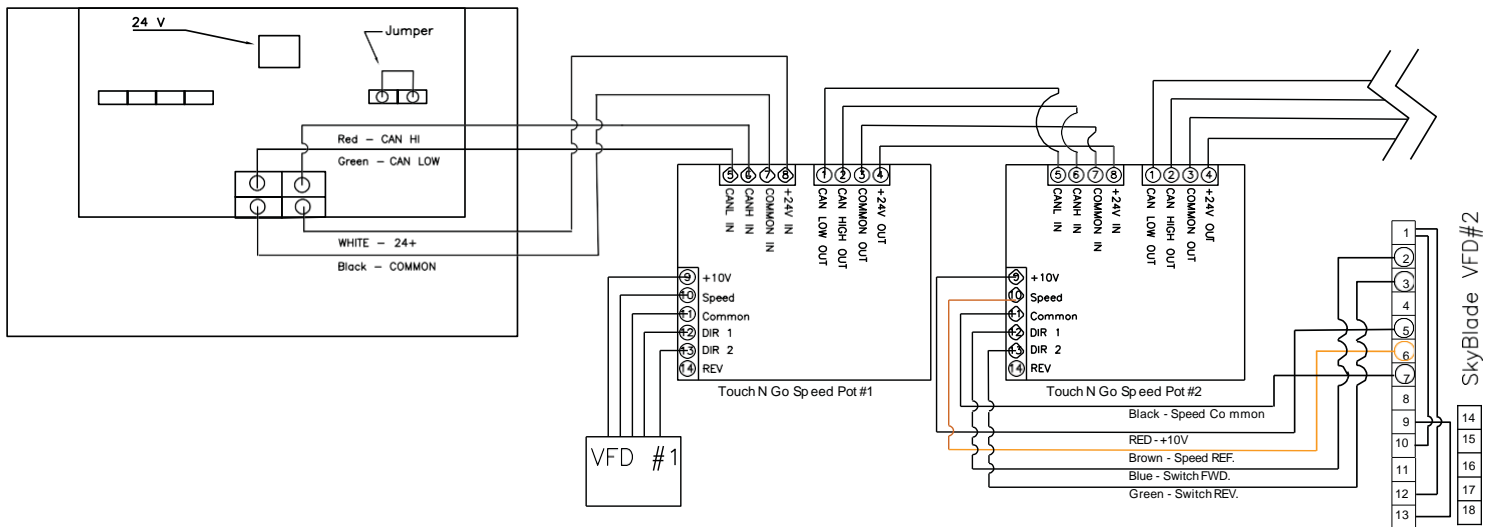
230V/1PH, 230V/3PH & 460V/3PH



NOTE: Pot boards must be installed within 15 feet from the fan.

INTERNAL WIRING DIAGRAMS - GEARED DRIVE

575V/3PH

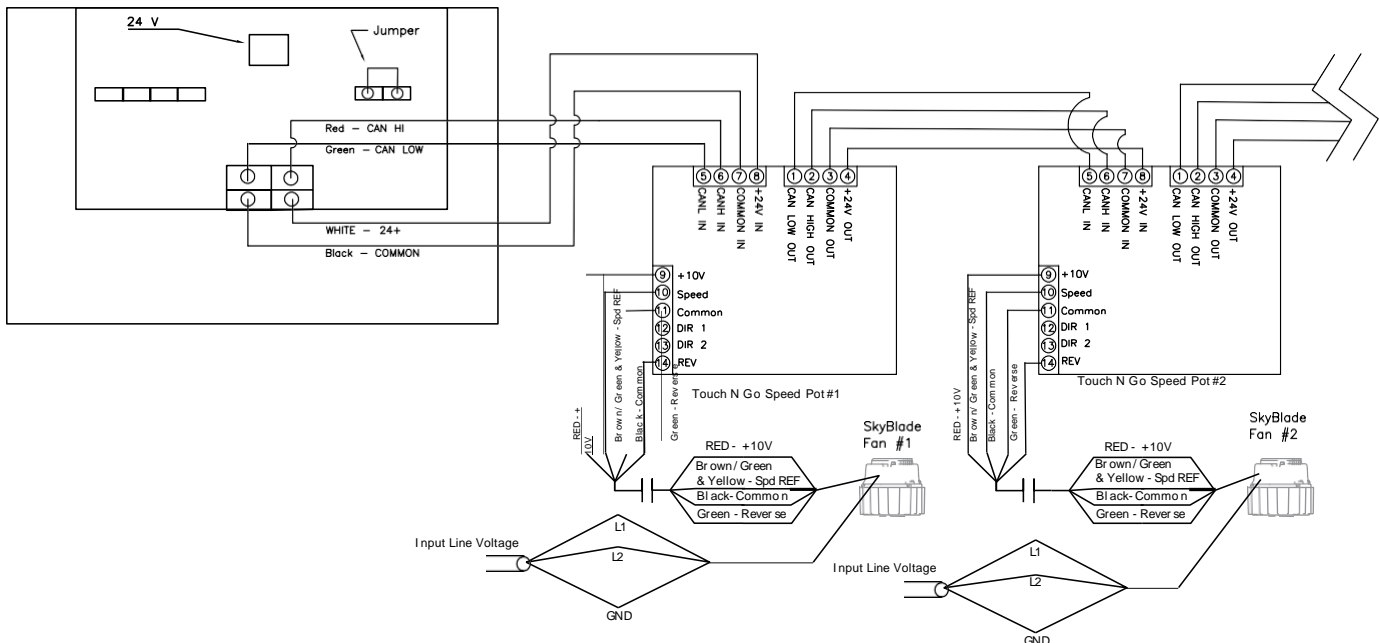


NOTE: Pot boards must be installed within 15 feet from the fan.

INTERNAL WIRING DIAGRAMS - DIRECT DRIVE

NOTE: Blue and White wire is required to be capped separately down by the pot board.

120V/1PH & 230V/1PH



NOTE: Pot boards must be installed within 15 feet from the fan.

