

# TOUCH 'N' GO DIGITAL SINGLE-FAN CONTROLLER

## KEY FEATURES

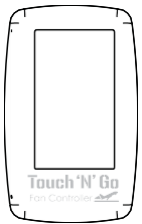


- Control one fan
- Operate your fans in either forward or reverse
- 0-100% speed control
- Easily mounts to wall or electric gang box
- Fully digital interface
- Password lockout capability
- 50 ft. of 4-core cable supplied for installation

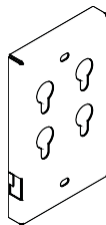
## TECHNICAL SPECIFICATIONS

<b>Power Supply</b>	24V Power
<b>Dimensions</b>	3.6" W x 5.9" H x 1.05" D
<b>Weight</b>	0.5 lb.
<b>Language Protocol</b>	0-10v signal/CAN
<b>User Interface</b>	4.3" digital touchscreen
<b>Display Resolution</b>	272 x 480 pixels
<b>Enclosure</b>	High impact molded ABS
<b>Fans/Control</b>	Single fan control
<b>Connections</b>	4-core shielded wire
<b>Max Cable Length</b>	1,000 Ft.
<b>Rating</b>	IP30

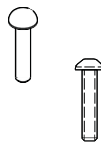
## TOUCH 'N' GO PACKAGE CONTENTS & ASSEMBLY



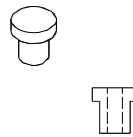
**A. TNG Control**  
(x1)



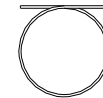
**B. Mounting Plate**  
(x1)



**C. #6-32 x 5/8" Flat Head Screws**  
(x4)



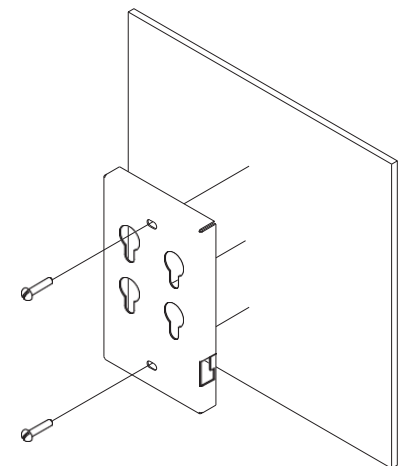
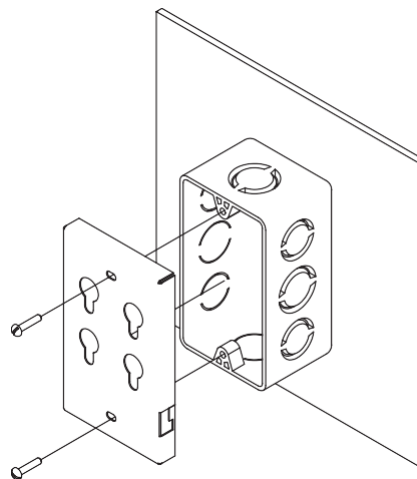
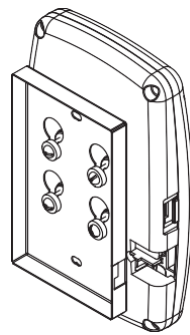
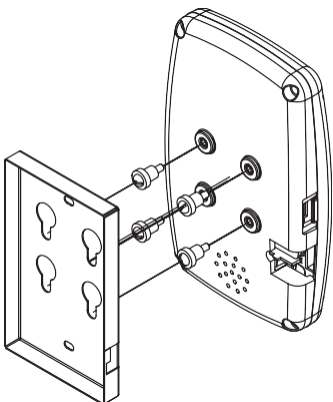
**D. Rubber Grommets**  
(x4)



**E. Control Cable**  
(50 ft)

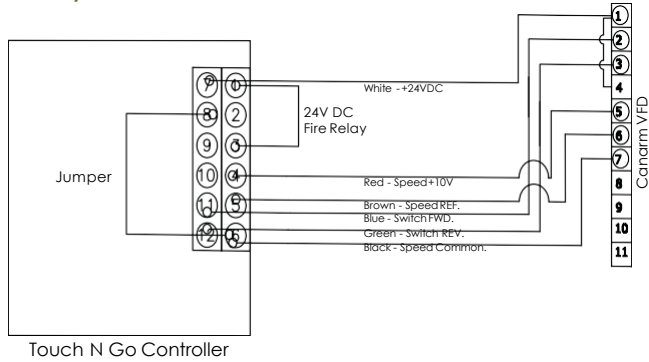


**F. Power Supply**  
(Direct Drive only)

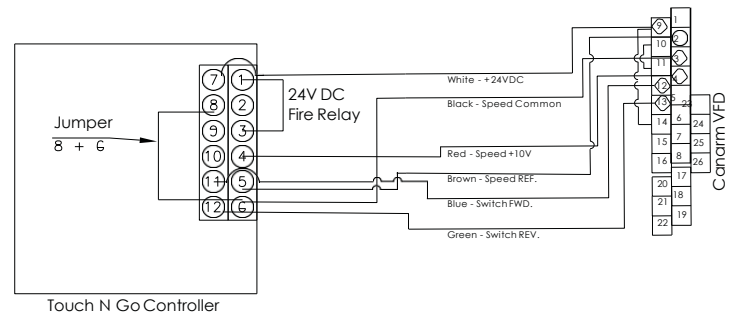


**WIRING DIAGRAM - GEARED DRIVE FAN**

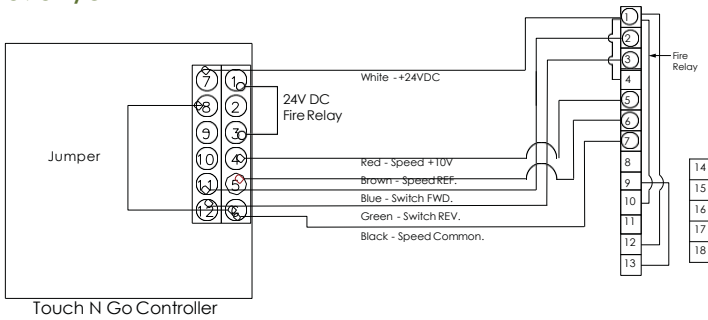
**120V/1PH**



**230V/1PH, 230V/3PH, & 460V/3PH**

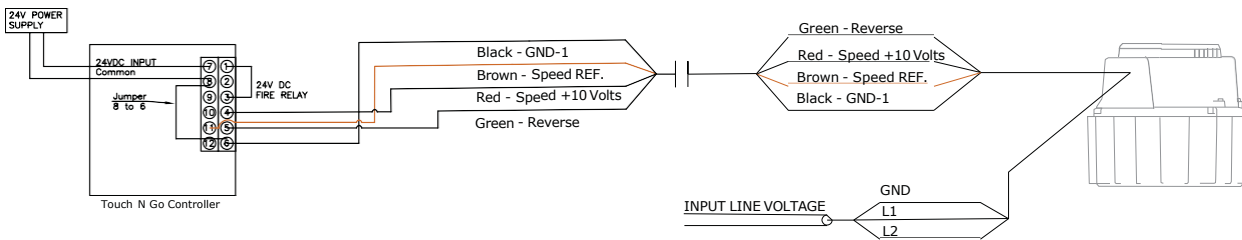


**575V/3PH**



**WIRING DIAGRAM - DIRECT DRIVE FAN**

**120V/1 PH & 230V/1 PH**



**230V/3 PH, 460V/3 PH & 575V/3PH**

