



FEATURES

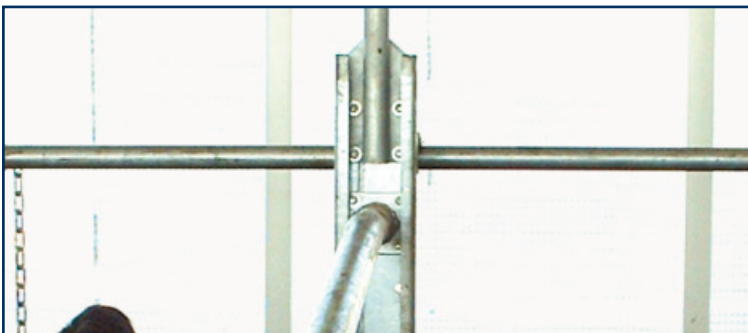
- Designed to promote cow cleanliness and laying behavior.
- Versatile rectangular or channel posts have easy adjustable headrails.
- Stall is higher for increased cow comfort.
- Has a partition style that provides space at the front and sides for cows to lunge forward when rising.
- Designed to make the cows' environment much cleaner and drier.
- Hot dipped galvanized for extreme longevity.
- Complete with 3" heavy duty post and bolt-on 2 3/8" divide for increased durability.
- Available in round post and channel post styles.



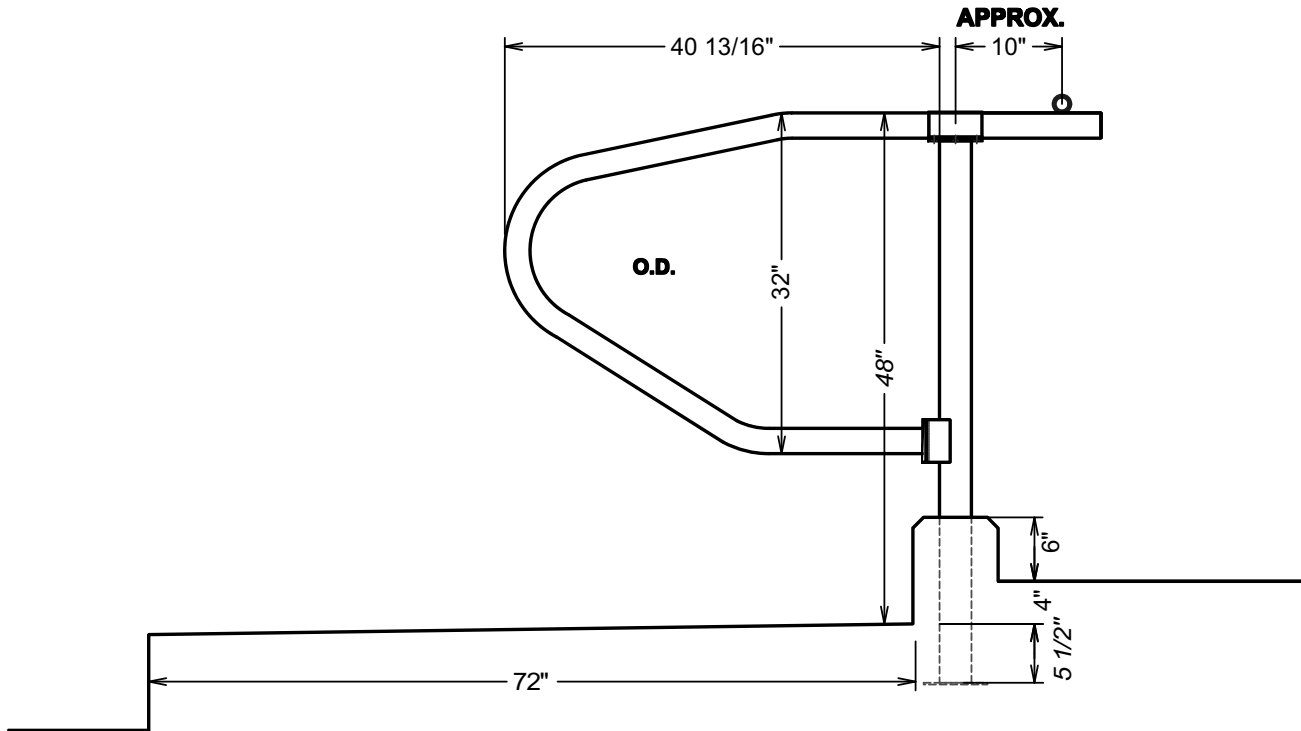
REGULAR CHANNEL POST



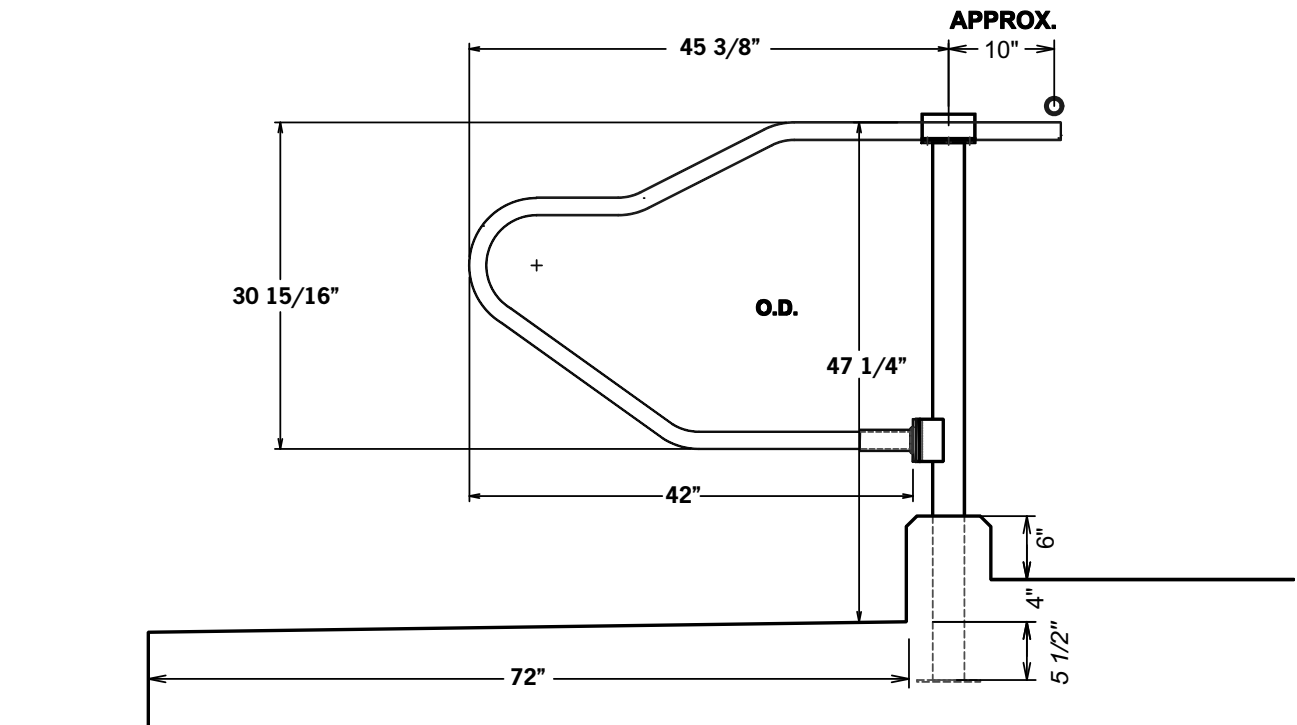
ROUND POST



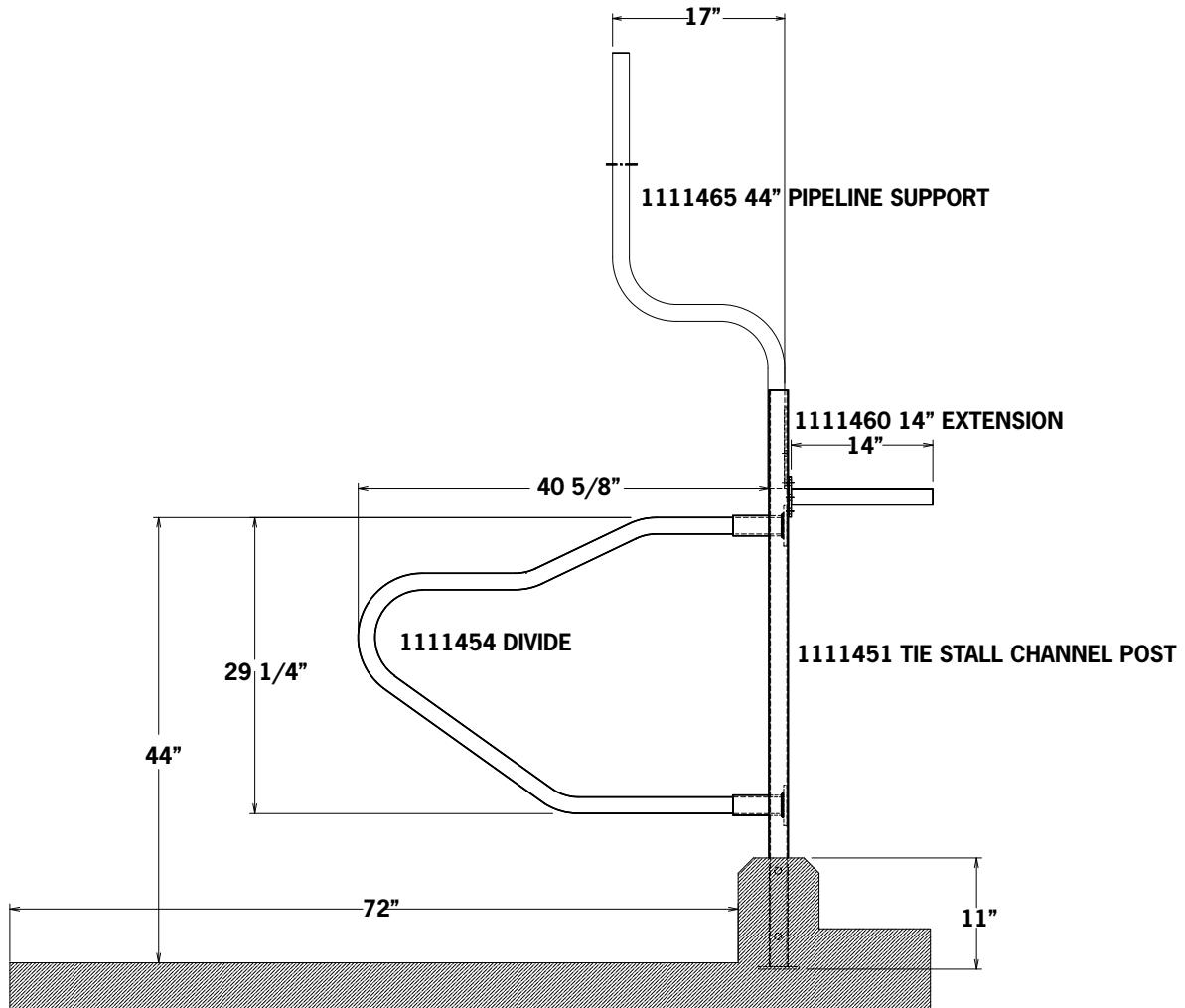
TIE STALL ASSEMBLY
SINGLE ROUND POST STALL (1111350 - 2 3/8" DIVIDER SHOWN)



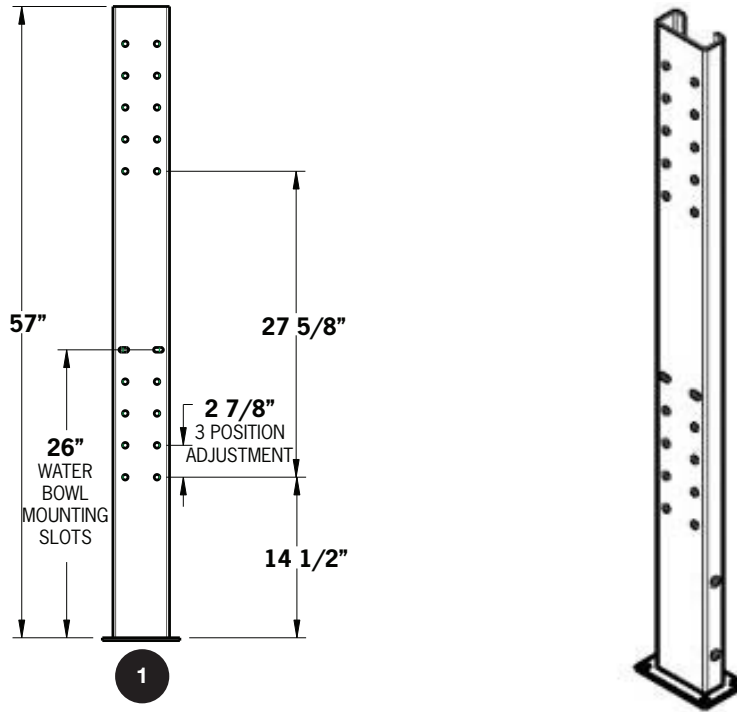
TIE STALL ASSEMBLY
SINGLE ROUND POST STALL (1111354 - 1 5/8" DIVIDER SHOWN)



TIE STALL ASSEMBLY CHANNEL POST STALL (1111451 SHOWN)

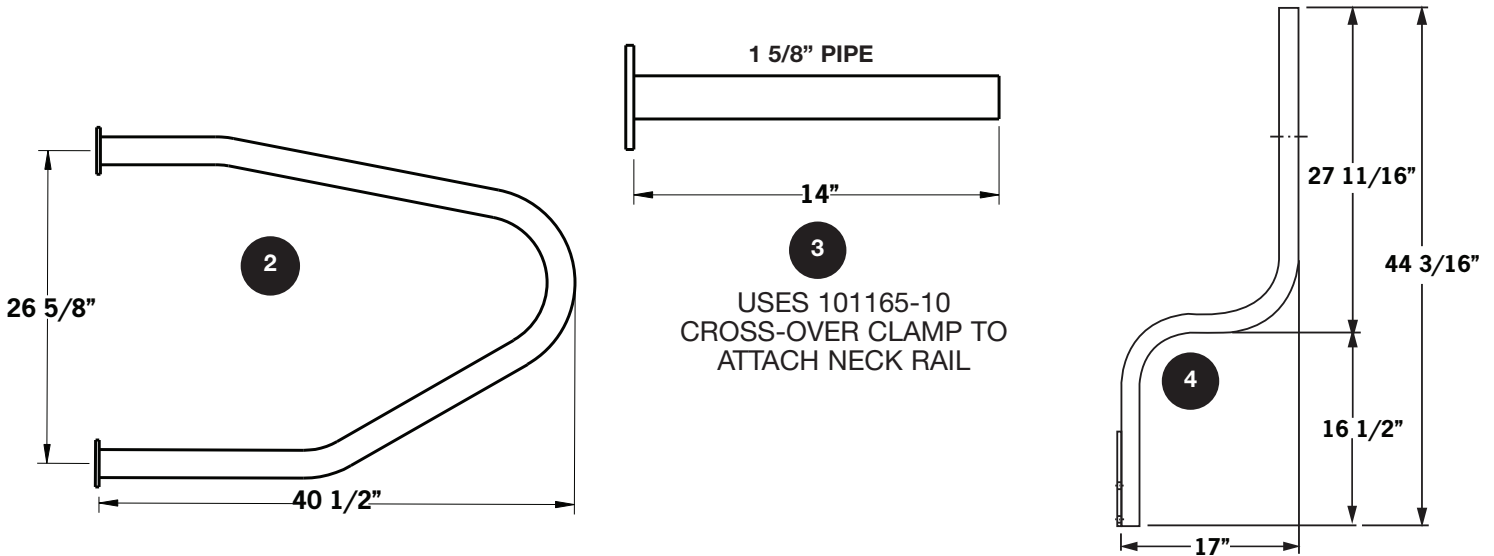


CHANNEL POST TIE STALL



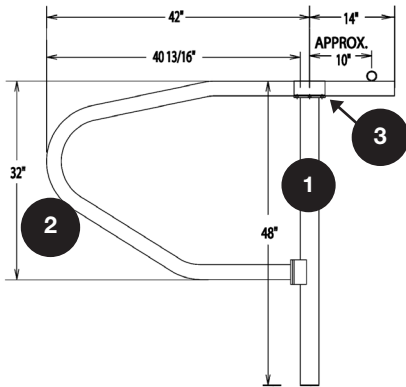
1

CHANNEL POST TIE STALL & ACCESS

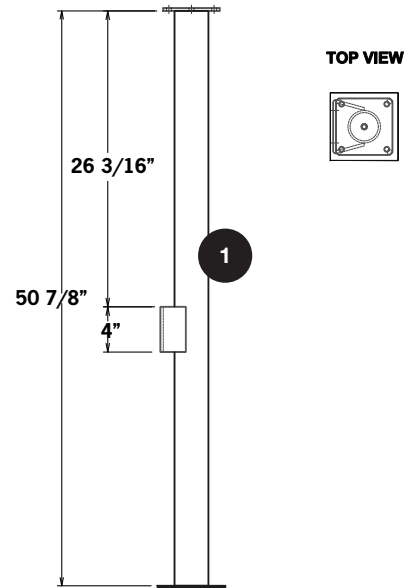


ILLUS.	DESCRIPTION	PART #
1	57" GALV. CHANNEL POST ONLY	1111451
2	42" GALV. DIVIDER (2 PL) (2 3/8")	1111455
	42" GALV. DIVIDER (2 PL) (1 5/8") - not shown	1111454
3	14" GALV. EXTENSION (TIE STALL) (1 5/8" PIPE)	1111460
4	44" GALV. PIPELINE SUPPORTS	1111465

KIT 1111350 SINGLE POST TIE STALL (3" OD) + 42" DIVIDER + 14" EXTENSION

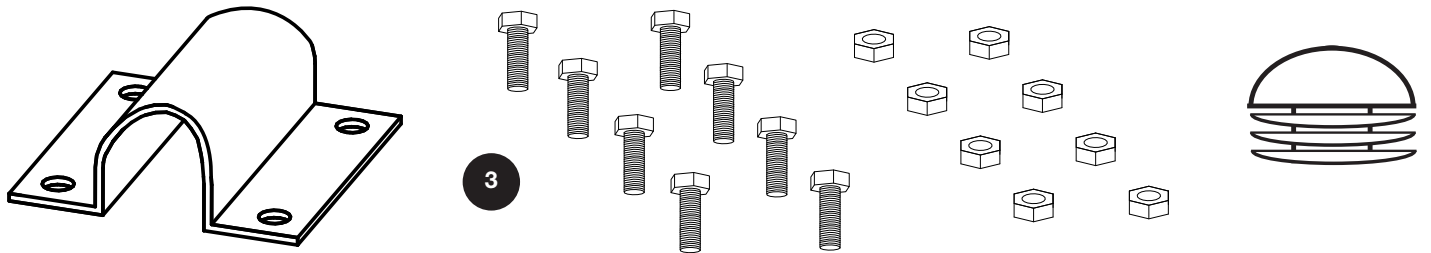


1111351 3" OD GALV. SINGLE POST + PLATE (51" H)

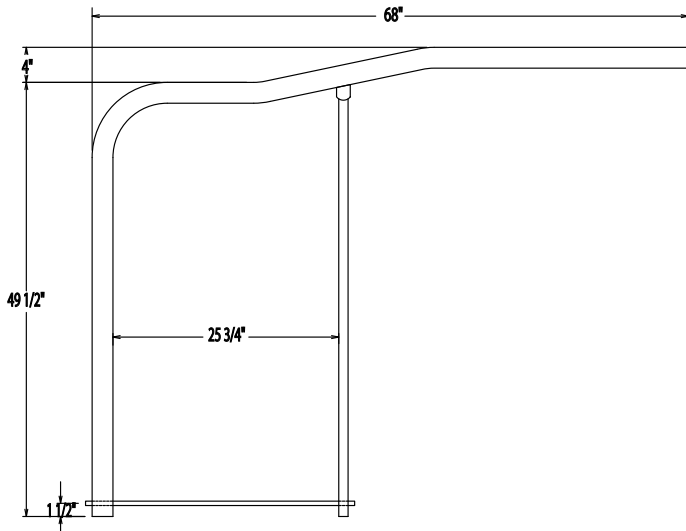


KIT # 1111350 (Includes)		
ILLUS.	DESCRIPTION	PART #
1	GALV. 3" OD POST ONLY + PL (51"H)	1111351
2	GLV DIVIDER (ONLY 2 3/8")	1111355
3	HDW PKG/TIE STALL (8 BOLTS, POST PLUG & X-OVER)	1111350HDW

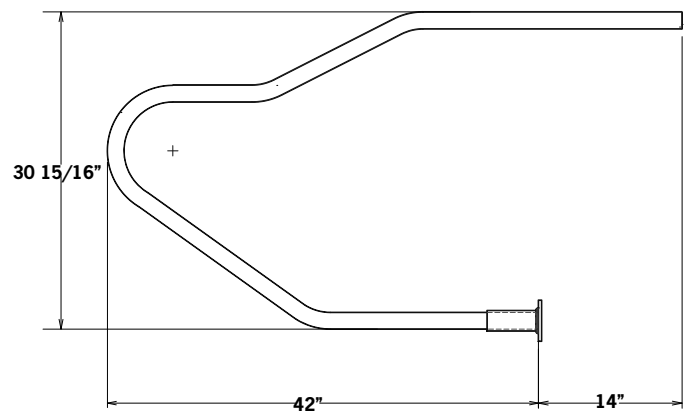
KIT 1111350HDW 8 BOLTS, 8 NUTS, POST PLUG & X-OVER



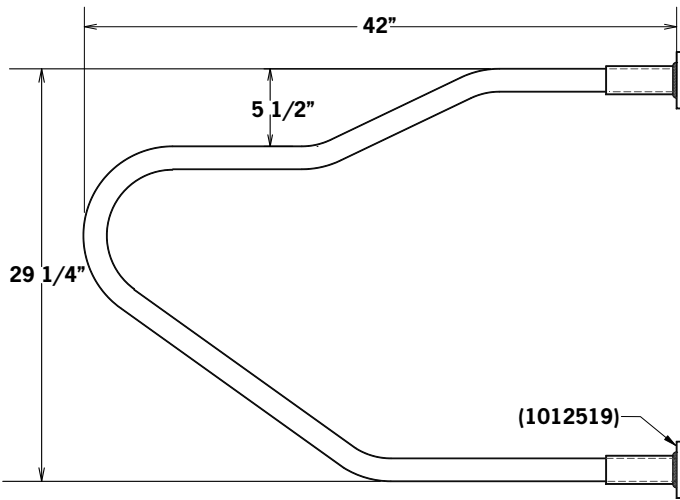
1111378 - 54" PASSAGE DIVIDE (51" H) STALL + 14" EXTENSION



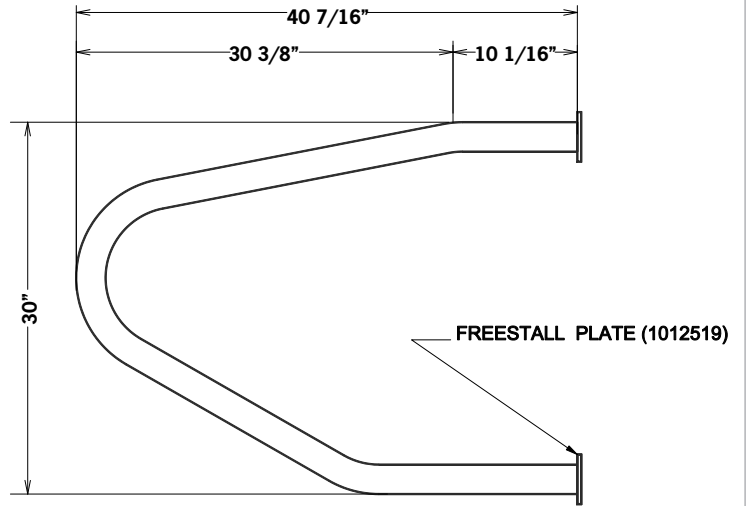
1111354 42" GLV DIV (1 5/8") + 14" EXT (FOR ROUND POST)



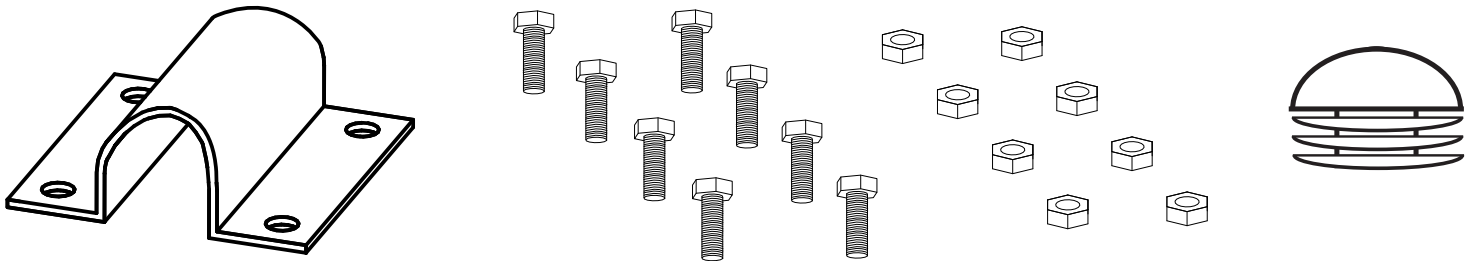
**1111454 - 42" GALV. DIVIDER (1 5/8")
+ 2 PLATE (FOR CHANNEL POST)**



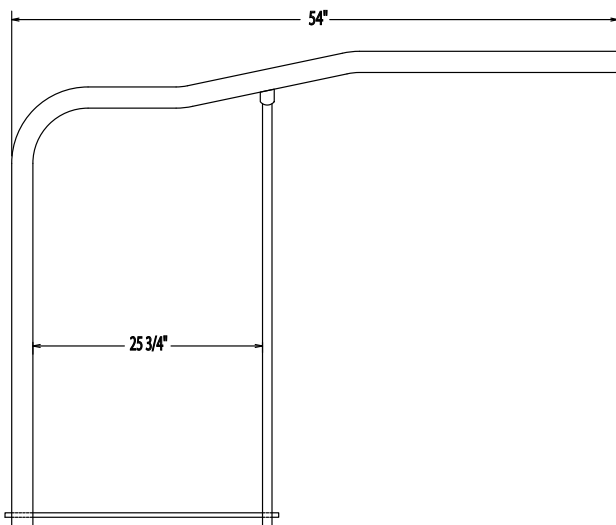
**1111455 - 42" GALV. DIVIDER (2 3/8")
+ 2 PLATE (FOR CHANNEL POST)**



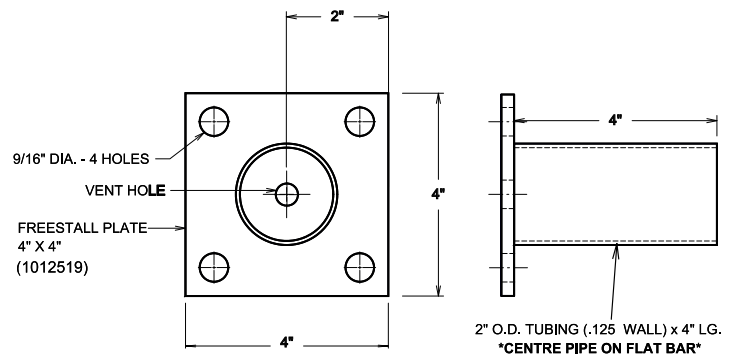
**KIT 1111354HDW
8 BOLTS, 8 NUTS, POST PLUG & X-OVER (1 5/8" DIVIDER)**



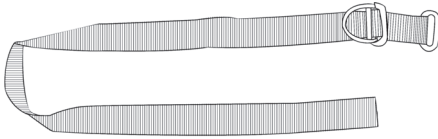
**1110654 - PASSAGE DIVIDER (51"H), 1 5/8" PIPE FOR
CHANNEL POST**



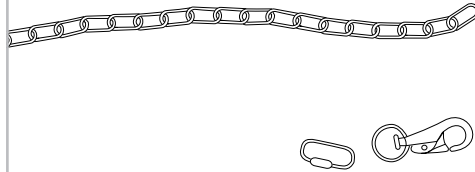
**1111478
END OF ROW STUB/DIVIDER**



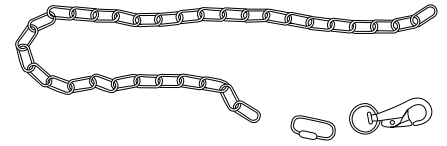
**1112110
NYLON NECK STRAP**



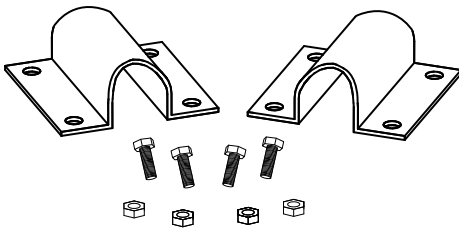
**1110924-5 - 24" HEADRAIL
TIE CHAIN (BOX 5)**



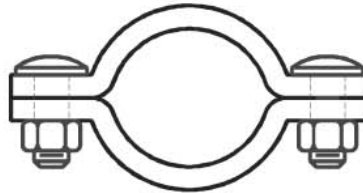
**1110936-5 - 36" HEADRAIL
TIE CHAIN (BOX 5)**



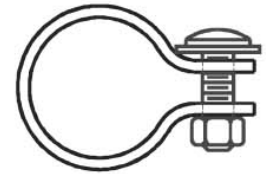
**101166-10 - X-OVER CLAMP
1 5/8" X 2 3/8" (BOX 10)**



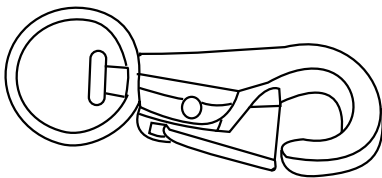
**101190U-10 - 2 PC HEADRAIL
CLAMP 1 5/8" (BOX 10)**



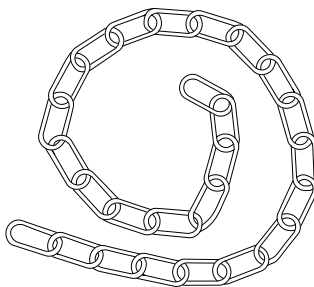
**101195U-10 - 1 PC HEADRAIL
CLAMP 1 5/8" (BOX 10)**



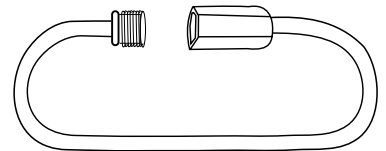
**1112000
HEAVY DUTY SNAP**



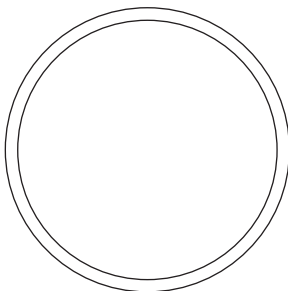
**1112002
CHAIN 1/4" CROSS, ZP**



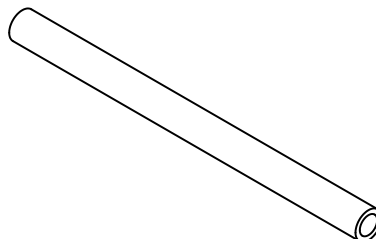
**1112004
QUICK CONNECT 1/4"**



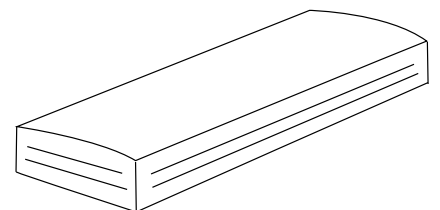
**1112012
O-RING 1/4" X 2"**



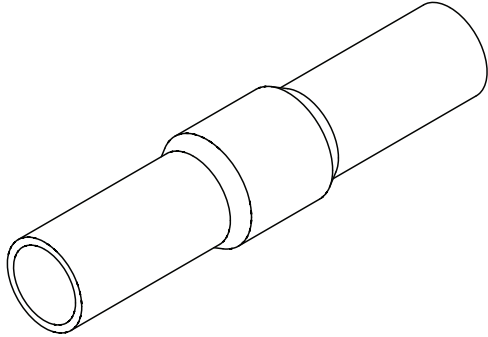
**1110400-1
1 5/8" OD PRE GALV PIPE 21' LG**



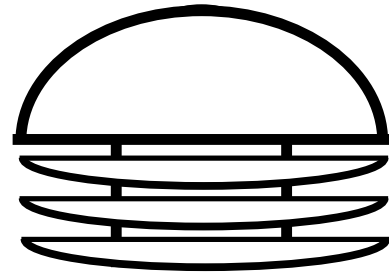
**1111472
POST PLUG 5" X 2" RECT POST**



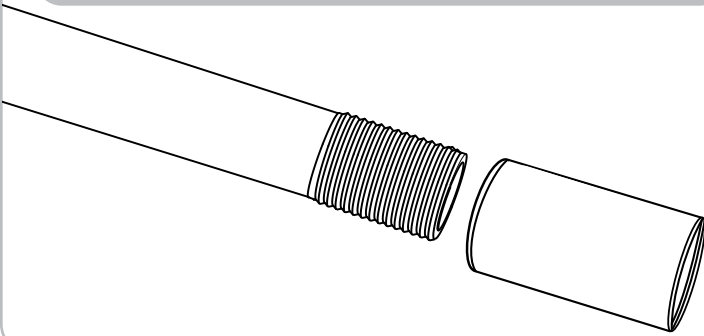
**1110401-5
HEADRAIL JOINER 1 5/8" (BOX 5)**



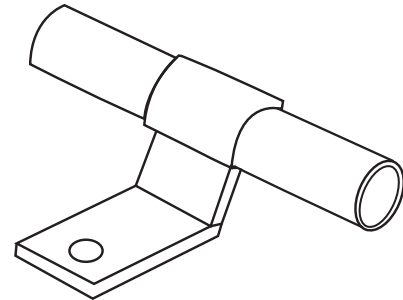
**1110402
1 5/8" OD PLASTIC POST CAP**



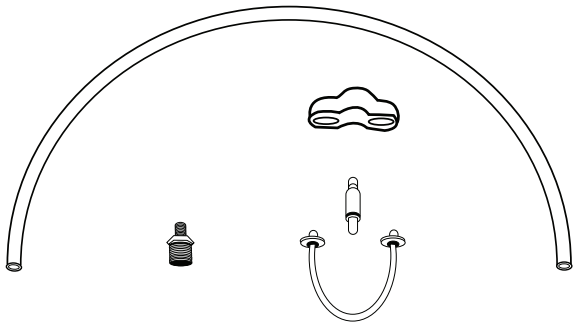
**1110400-22TH - 21' GALV THREADED
HEADRAIL + COUPLER 1 1/4" SCH 40**



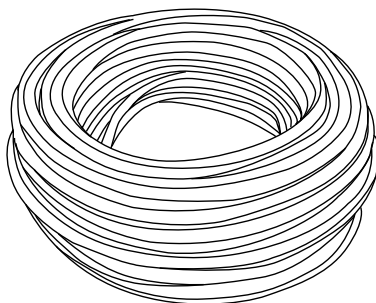
**1113020
BEDDING KEEPER BRACKET & ANCHOR**



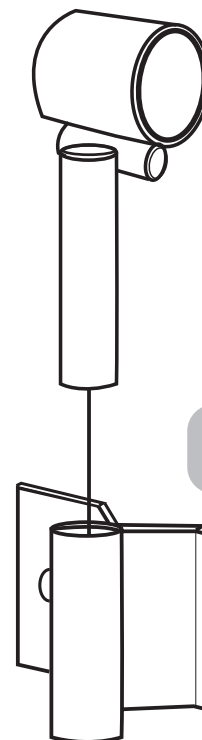
**1120400 - (COMPLETE) SADDLE KIT FOR
WATER BOWL (DAIRY)**



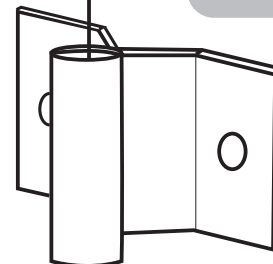
**1120416
BULK HOSE / SADDLE KIT - 100' ROLL**



**1113030
REMOVAEBLE BEDDING KEEPER BRACKET**



**1454240
FIELDGATE HINGE**



ORDERING GUIDELINES

Tie Stalls - Round Post

1. Order arches or single post stalls with suspended divides. (1 less than # of cow spaces)
2. Order 101166-10 cross over clamps for headrail (1 per cow space + 1 extra per row).
3. Order tie chains. (24" for 40" high stalls/36" for 46" high stalls). Order 101195-U or 101190-U clamps for tie chains (1 per cow space + 1 extra per row).
4. Order nylon cow ties (nylon straps).
5. Order headrail (total number of feet required, comes in 21 foot lengths) + headrail joiners (optional - order threaded headrail (21' lengths) and saddle kits for water bowl to headrail hookup)
6. OPTIONAL - order water bowl mounting plate c/w u-bolt (1111345)
Note: Some water bowls need u-bolt only (3 1/2" o.c.), contact Canarm for pricing

Single Post Stalls Passage Divides

1. Order uprights (2 per row)
2. Order passage dividers
3. Order hardware package (1 per passage divider).

Tie Stalls - Channel Post

1. Order choice of post (1 less than # of cows)
2. Order divide (1 less than # of cows)
3. Order cross over clamp for headrail (101165-10).
4. Order hardware package - 1111450HDW for Channel Post (1 per post)
5. Order tie chains. (24" for 40" high stalls/36" for 46" high stalls). Order 101195-U or 101190-U clamps for tie chains (1 per cow space + 1 extra per row).
6. Order nylon cow ties (nylon straps).
7. Order headrail (total number of feet required, comes in 21 foot lengths) + headrail joiners (optional - order threaded headrail (21' lengths) and saddle kits for water bowl to headrail hookup)

Channel Post Passage Divides

1. Order post (2 per row)
2. Order stub (2 per row) (1111478)
3. Order passage divide (2 per row) (1111378)
4. Order hardware (2 per row)