



FEATURES

- Solid vertical spindles, bottom bar and legs.
- Heavy 7/8" solid rod frame.
- SS foot plate
- AI back gate allowing easy access to animal
- Lower side panel allowing easy access to animal.
- Both gestation and breeding stalls are designed to swing left or right (for pin-in).
- Hot-dip galvanized (bare metal available).
- Easily assembled.
- Available with or without drop tube.
- Comes with top straps + u-bolts.

DROP TUBE



OPERATOR AND ANIMAL FRIENDLY



CANARM LTD. - Corporate Office
PO Box 367 2157 Parkedale Ave.,
Brockville, ON
Canada K6V 5V6
Tel: (613) 342-5424 Fax: 1-800-263-4598

Arthur Manufacturing Facility
#7686 Concession 16, RR 4
Arthur, ON
Canada N0G 1A0
Tel: (519) 848-3910 Fax: (519) 848-3948

Montréal Warehouse
2555 Rue Bernard Lefebvre
Laval, QC
Canada H7C 0A5
Tel: (450) 655-2535 Fax: (450) 665-0910

CANARM LTD. - USA Warehouse
808 Commerce Park Drive
Ogdensburg, New York,
USA 13669
Tel: 1-800-267-4427 Fax: 1-800-263-4598



Protection for loose-housed sows.

The Easy-Choice sow stall gives a gestating sow protection while feeding in a loose sow-housing environment. The sow enters when she wants to eat or remove herself from the group and a gate swings shut behind. When she is done feeding, or wants to rejoin the group, she backs up and the gate swings open. The stall is simple and strong, with only one pivot point. Built from solid steel that is then galvanized for additional long life.

FEATURES

- Solid vertical spindles, bottom bar and legs.
- Heavy 7/8" solid rod frame.
- SS foot plate
- AI back gate allowing easy access to animal
- Lower side panel allowing easy access to animal.
- Both gestation and breeding stalls are designed to swing left or right (for pin-in).
- Hot-dip galvanized (bare metal available).
- Easily assembled.
- Available with or without drop tube.
- Comes with top straps + u-bolts.



CANARM LTD. - Corporate Office
PO Box 367 2157 Parkedale Ave.,
Brockville, ON
Canada K6V 5V6
Tel: (613) 342-5424 Fax: 1-800-263-4598

Arthur Manufacturing Facility
#7686 Concession 16, RR 4
Arthur, ON
Canada N0G 1A0
Tel: (519) 848-3910 Fax: (519) 848-3948

Montréal Warehouse
2555 Rue Bernard Lefebvre
Laval, QC
Canada H7C 0A5
Tel: (450) 655-2535 Fax: (450) 665-0910

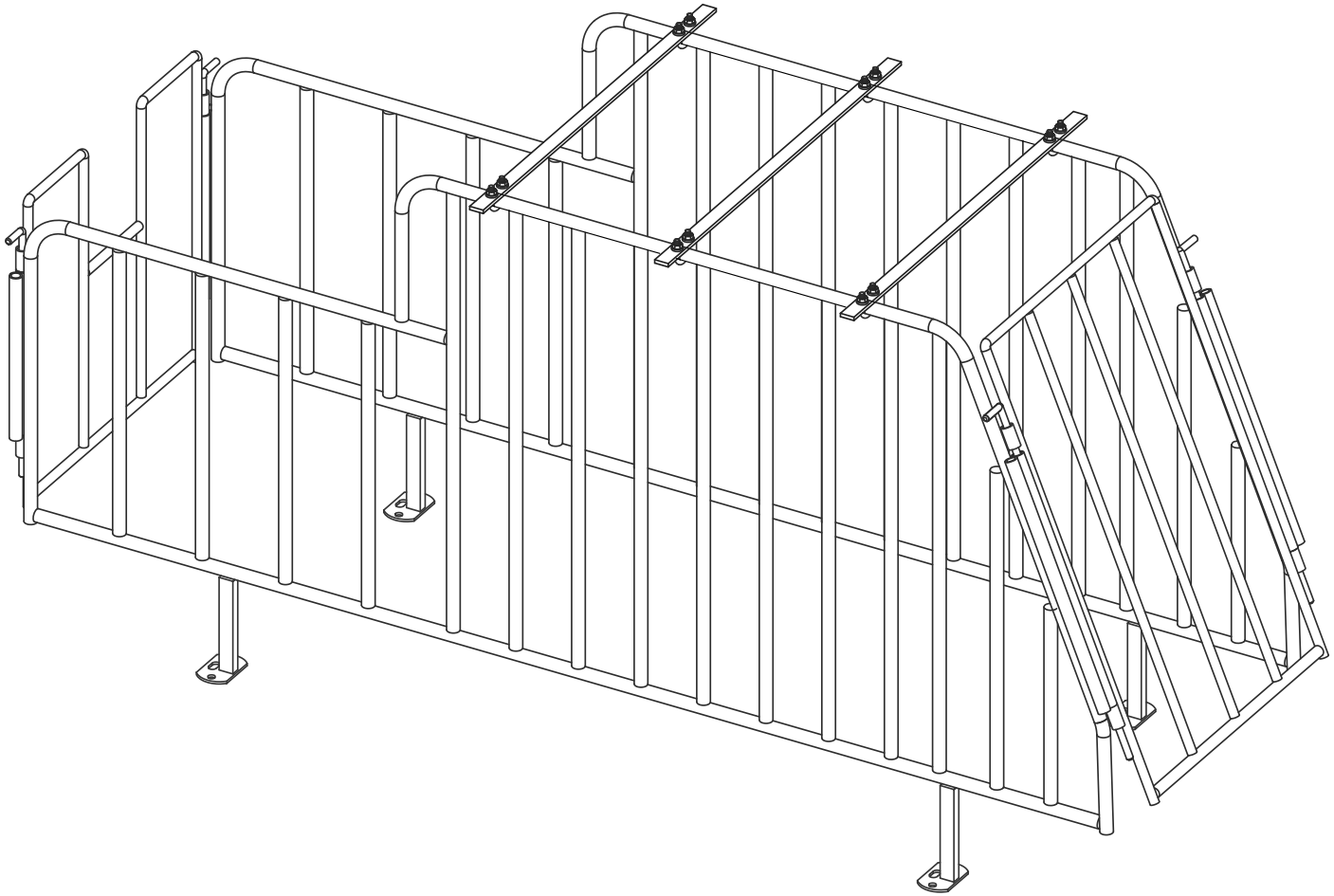
CANARM LTD. - USA Warehouse
808 Commerce Park Drive
Ogdensburg, New York,
USA 13669
Tel: 1-800-267-4427 Fax: 1-800-263-4598

www.canarm.com
Subject to Change without notice.

Swine product is non-stock and non-returnable.

agsales@canarm.ca
Printed in Canada

PIN-IN BREEDING STALLS, 5/8" VERTICAL SPINDLE



PART #	DESCRIPTION
2071340-24HD	DSS GALV. 24" O.C. (5/8" ROD) + 3 STRAPS PIN-IN
2071340-22HD	DSS GALV. 22" O.C. (5/8" ROD) + 3 STRAPS PIN-IN
2071340B-24HD	DSS BM 24" O.C. (5/8" ROD) + 3 STRAPS PIN-IN
2071340B-22HD	DSS BM 22" O.C. (5/8" ROD) + 3 STRAPS PIN-IN
2071331HD	DSS GALV. ROW END (5/8" ROD) + U-BOLTS PIN-IN
2071331BHD	DSS BM ROW END (5/8" ROD) + U-BOLTS PIN-IN
2071880	DROP TUBE PKG GALV + FUNNEL

2071340-24HD - DSS GALV 24 IN OC(5/8" ROD) + 3 STRAPS (PIN-IN)

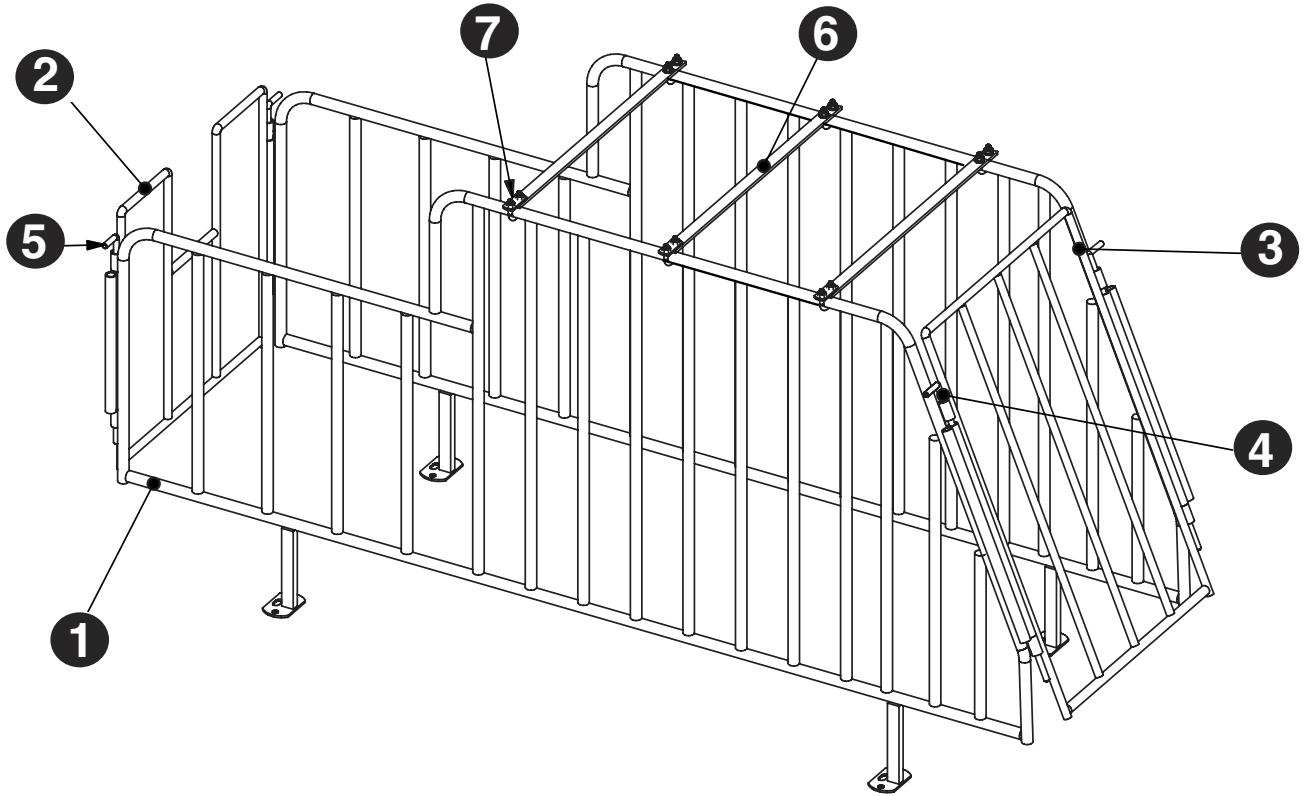


ILLUSTRATION #	PART #	QUANTITY	DESCRIPTION
1	2071332HD	1	GALV DSS SIDE ONLY (5/8 INR 7/8 INFR)
2	2070443	1	DSS AI BACK GATE 24" GALV (PIN-IN)
3	2070472	1	DSS FRONT GATE 24" GALV (PIN IN)
4	2070637	2	STD CR. + DSS 25" PIN GALV
5	2070334	2	DSS 18" BACK PIN GALV
6	2070510-24A	0.6	GALV DSS TOP STRAP, 24 IN OC, 10' LG
7	2070516	0.6	JOINER STRAP + 5 U-BOLTS

2071331HD - DSS GALV ROW END (5/8" ROD PIN-IN)

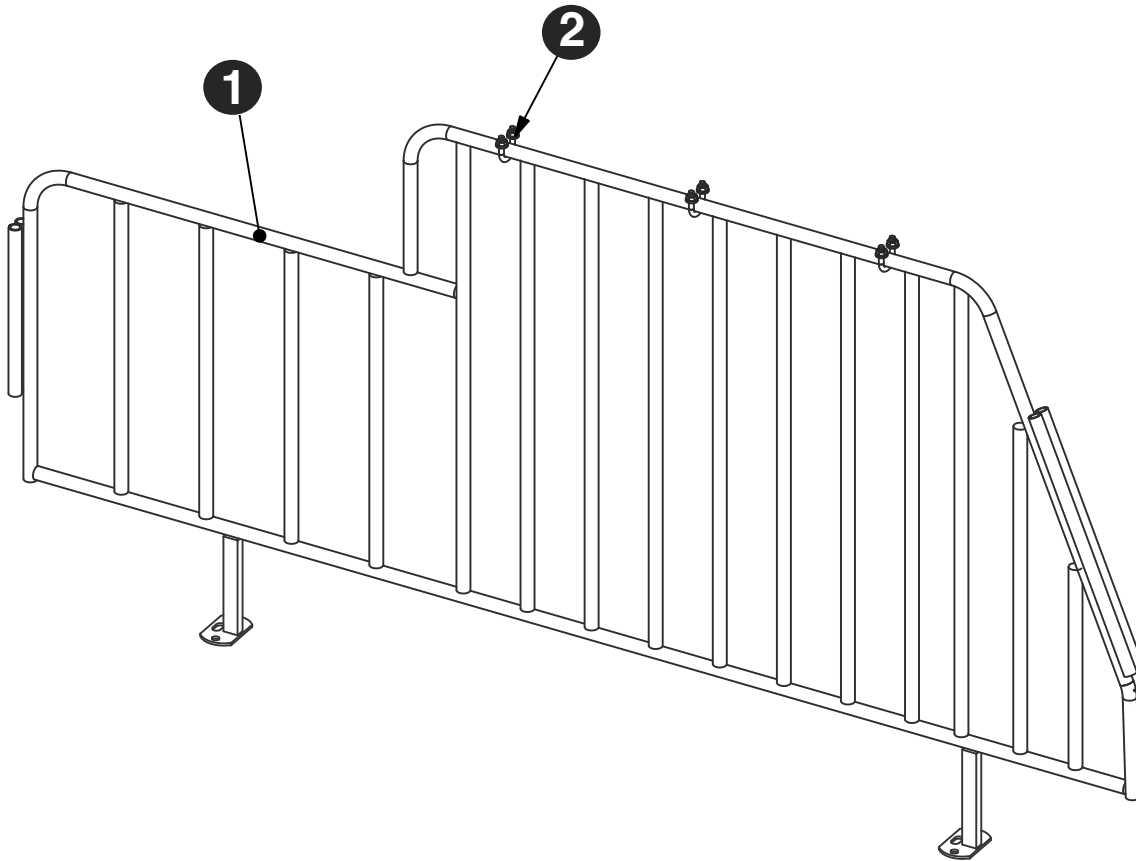


ILLUSTRATION #	PART #	QUANTITY	DESCRIPTION
1	2071332HD	1	GALV DSS SIDE ONLY (5/8" R 7/8" FR)
2	2070517	1	U-BLT + JOINER / END OF ROW

2071350-24HD - DSS GALV 24 IN O/C (5/8" ROD) 3 STRAPS + SLAM LATCH

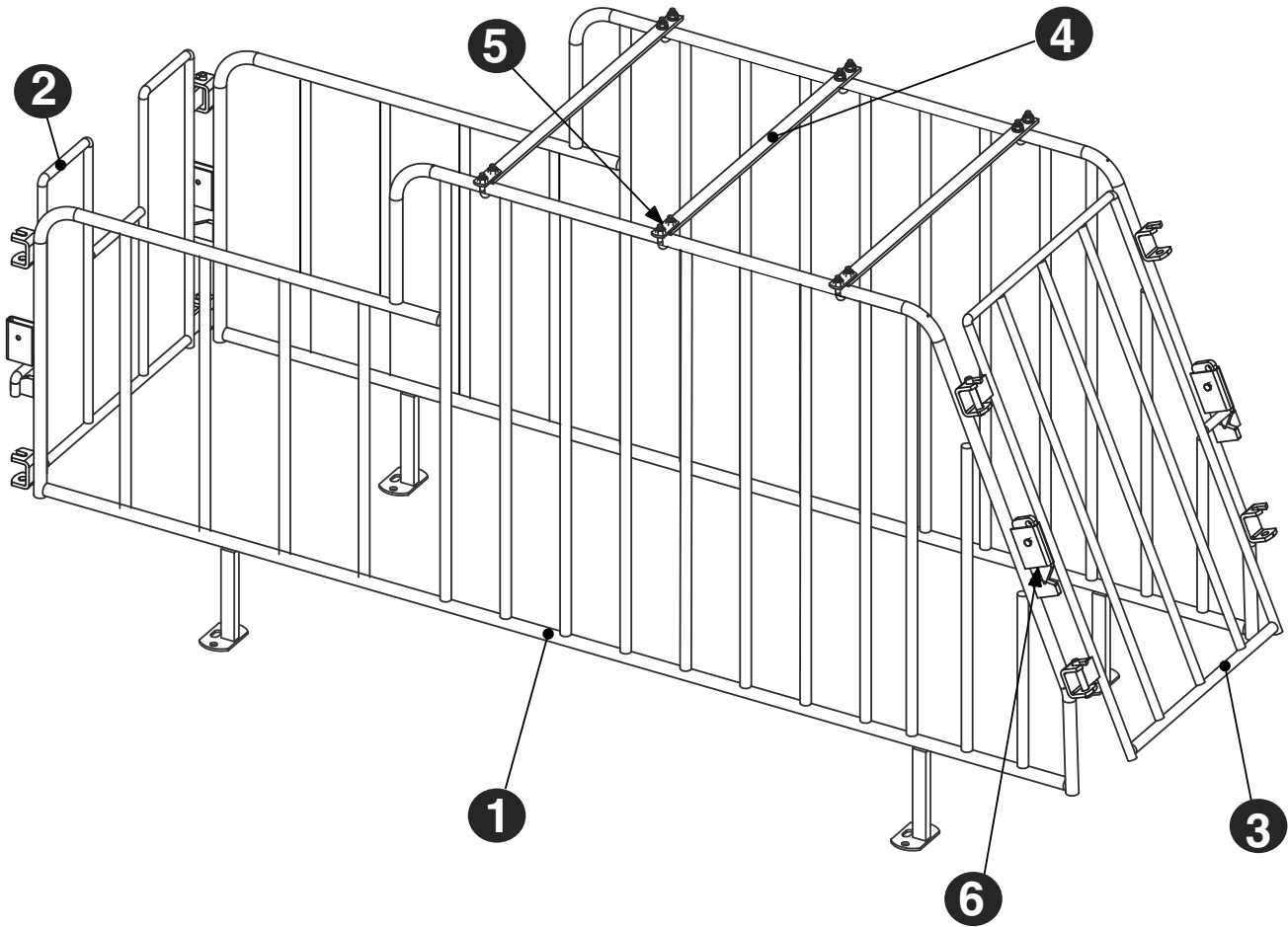


ILLUSTRATION #	PART #	QUANTITY	DESCRIPTION
1	2071350G-SDHD	1	GALV HD DSS (5/8" ROD) AI SIDE ONLY
2	2071350G-BK	1	GALV DSS 24" AI BK GATE + STUB
3	2071350G-FR	1	DSS GALV 24" FRONT GATE + STUB
4	2071350-24A	0.6	1" GLV STRAP - 10'0" - 24" O.C.
5	2070516	0.6	JOINER STRAP + 5 U-BOLTS
6	SPE14442HDWI	1	SP UL 2 FLIPPER + HDW C/W SLOT

2071335HD - DSS GALV ROW END (5/8" ROD) SLAM LATCH

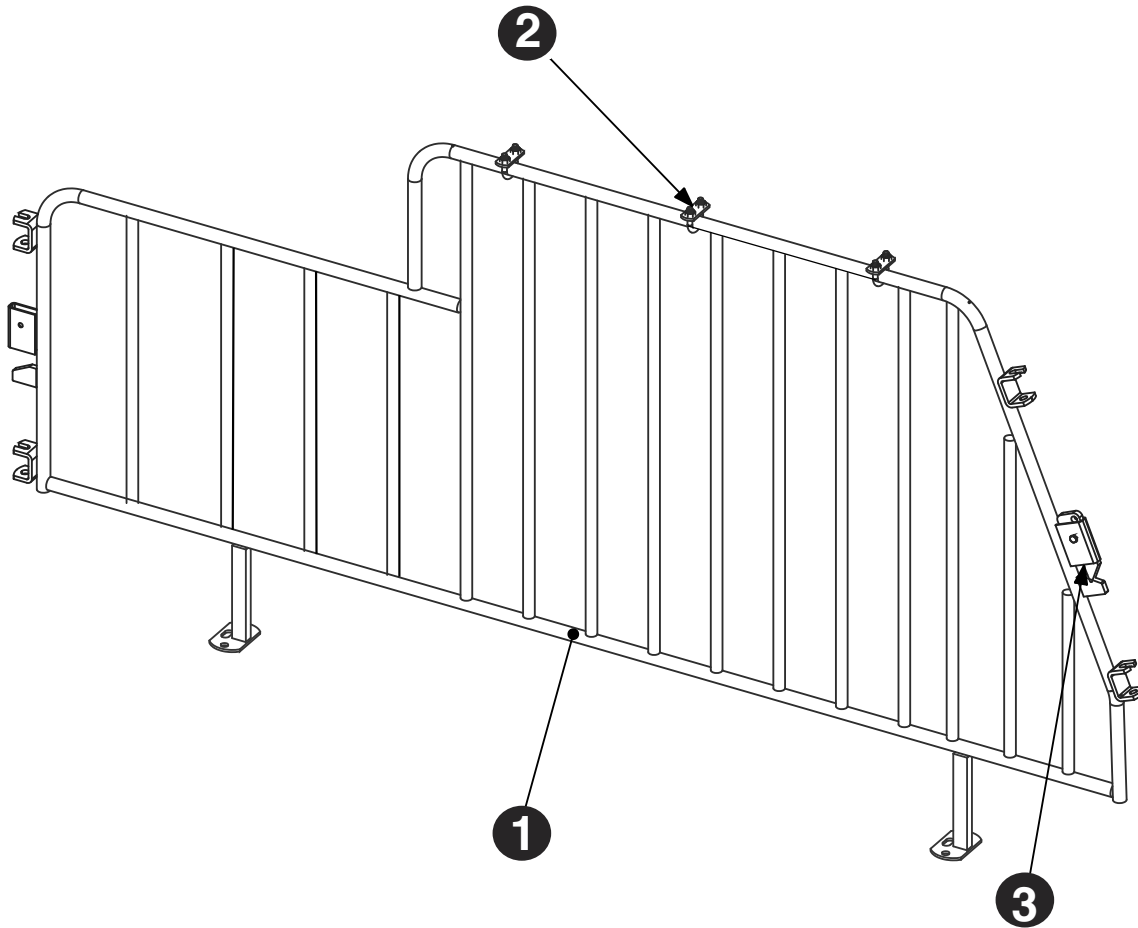


ILLUSTRATION #	PART #	QUANTITY	DESCRIPTION
1	2071350G-SDHD	1	GALV HD DSS (5/8" ROD) AI SIDE ONLY
2	2070517	3	U-BLT + JOINER / END OF ROW
3	SPE14442HDWI	1	SP UL FLIPPER + HDW C/W SLOT

EASY CHOICE STALL

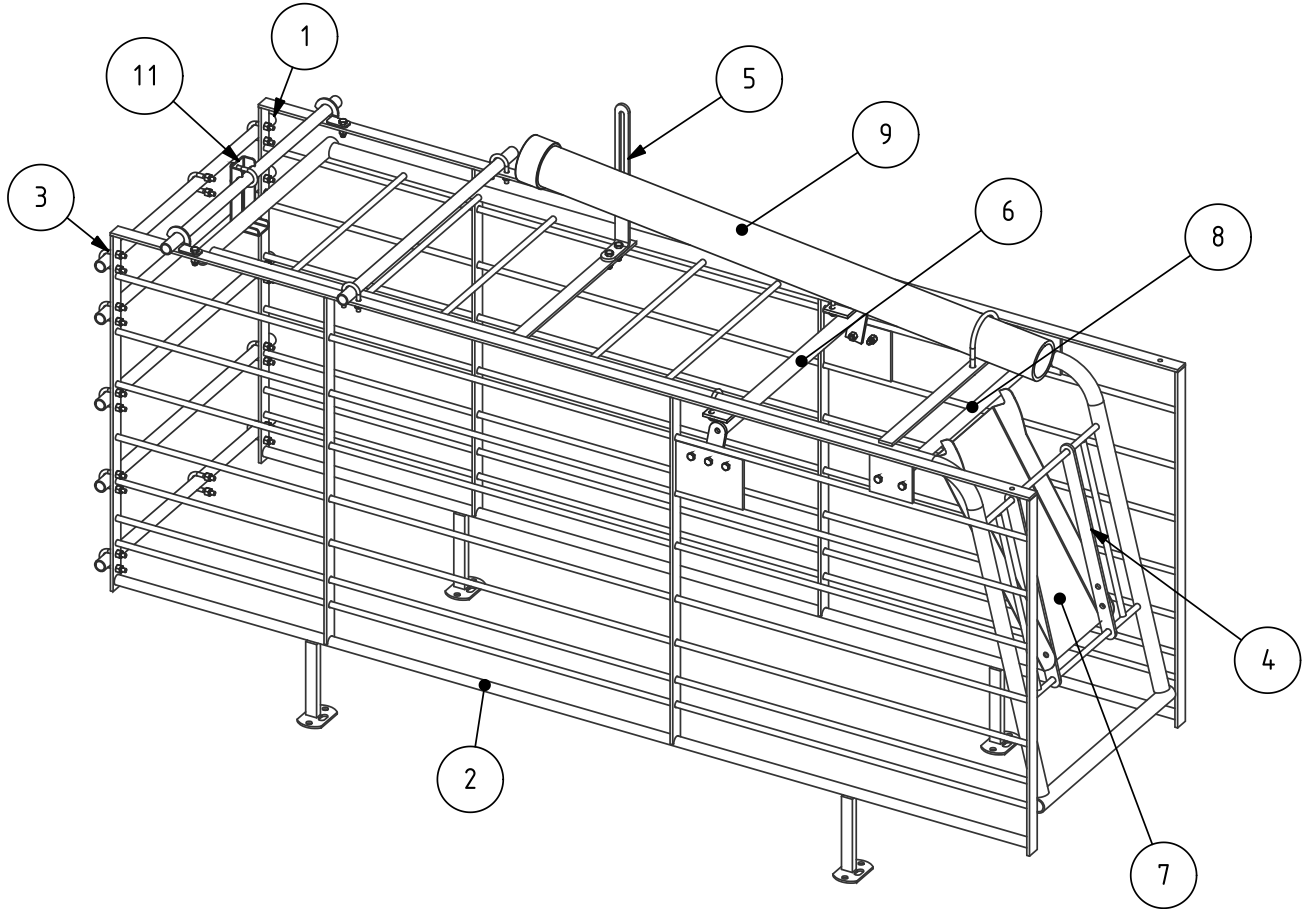
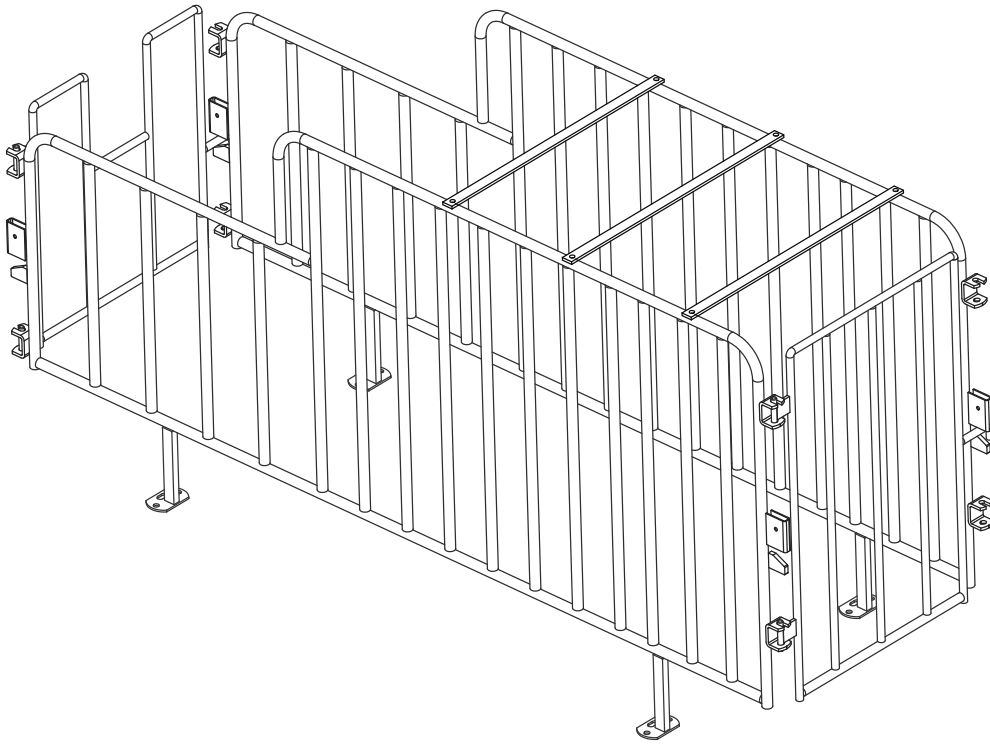
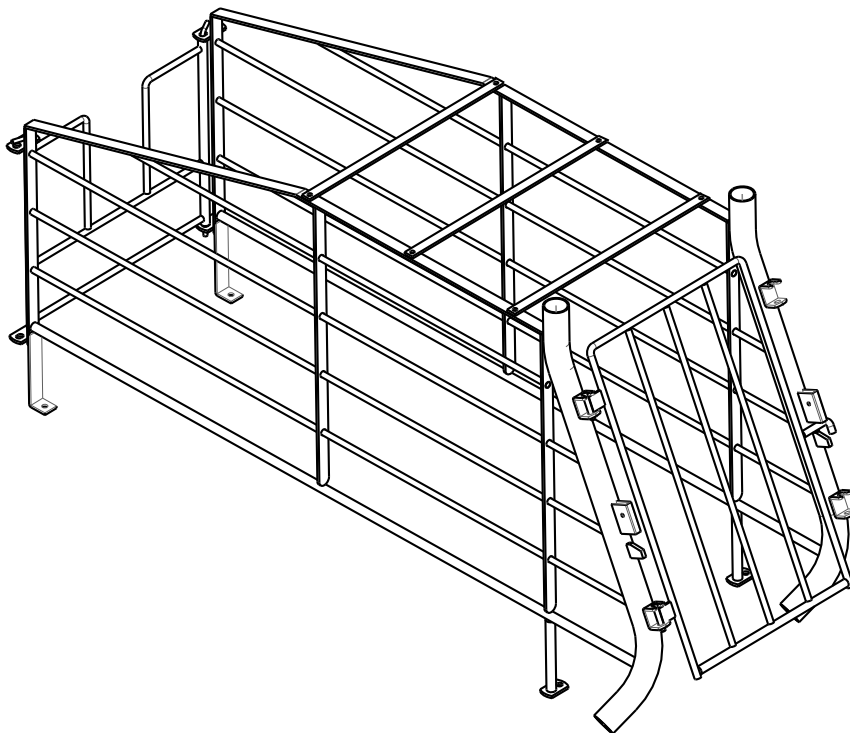


ILLUSTRATION #	PART #	QUANTITY	DESCRIPTION
1	2070129-1	0.7	1" O.D. GALV PIPE .100 WALL 20' LENGTHS
2	2072100	1	SP FREEDOM STALL SIDE 84 IN PNL ONLY 1/2 INROD)
3	2072100-HDW	1	FREEDOM STALL HARDWARE PKG
4	2072101	1	FREEDOM STALL GATE AND BLOCKER
5	2072102	1	ADJ. COUNTER BALANCE BRACKET
6	2072103	1	CROSS SUPPORT MOUNT PIVOT BRACKET
7	2072104-N	1	BACKER BUMPER FORMED PLATE (NO HOLE)
8	2072107	1	BACKER SUPPORT + PIPE + PLATES
9	2072110	1	48" LONG WATER TUBE + STOPPERS
10	2072111	1	LOCK BRACKET (FREEDOM STALL) + U-BOLT
11	2072112	0.5	FREEDOM STALL FRONT HORIZONTAL PIPE JOINER

SPE22161-24 - 5/8" GALV DSS STRAIGHT FRONT, SLAM LATCH



DSSL5100G - GALV HORIZONTAL DSS, SLAM LATCH



SPE22288-24 - SPECIAL SLIDING BOAR GATE (BM) (FOR 36" WALKWAY)

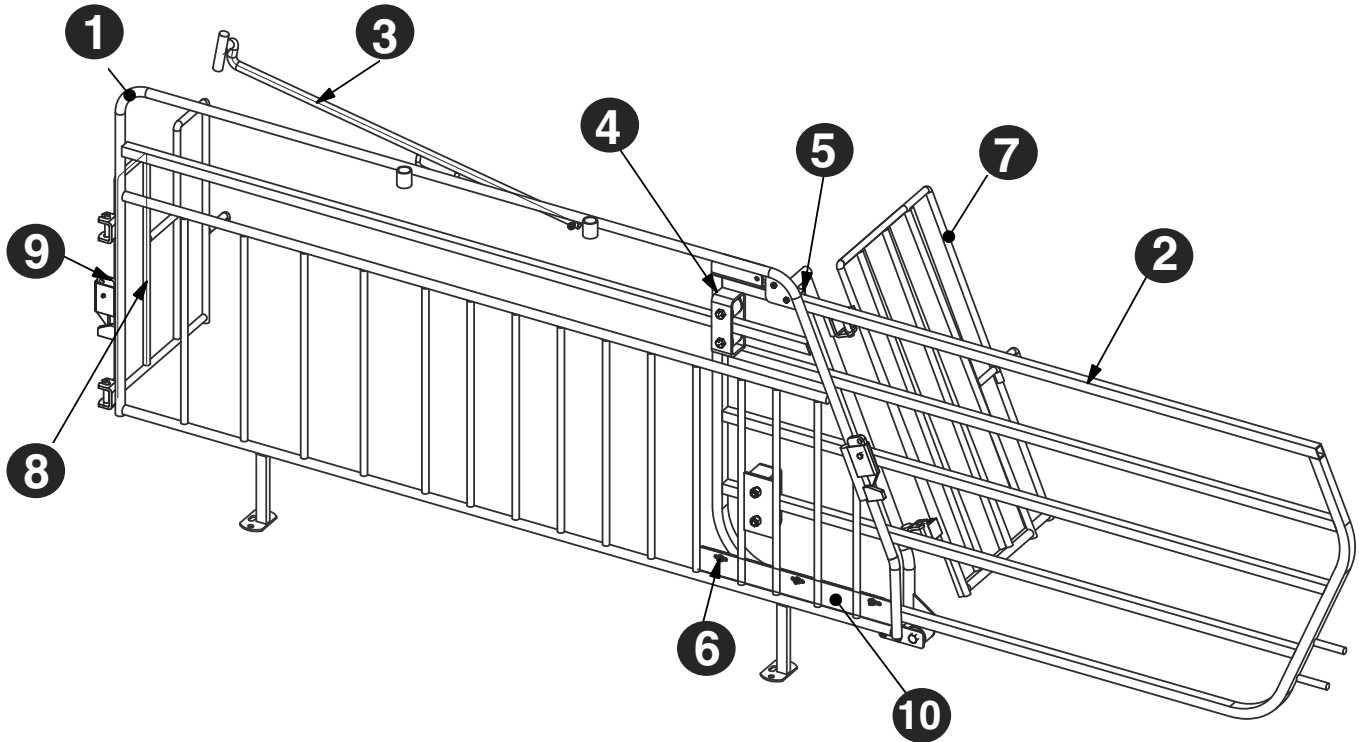
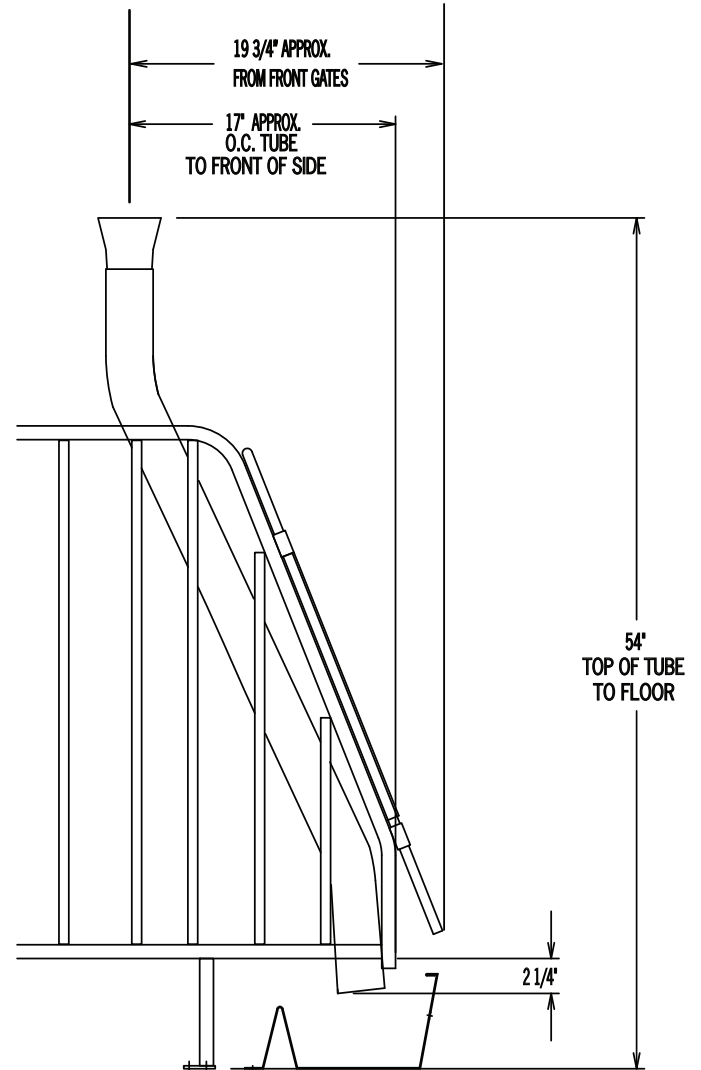
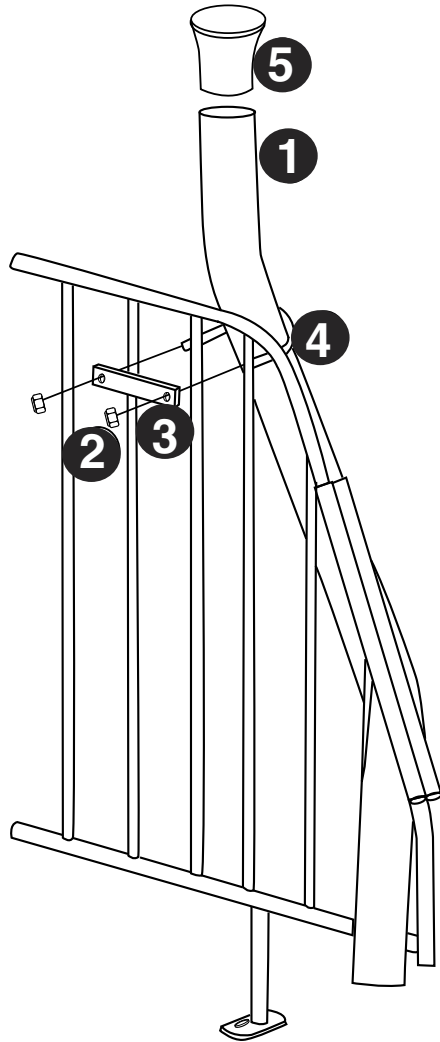


ILLUSTRATION #	PART #	QUANTITY	DESCRIPTION
1	SPE22288-SP	1	SPECIAL BM DSS SIDE PANEL FOR SLIDING BOAR GATE
2	SPE22288-SG	1	SP SLIDING BOAR GATE
3	SPE22288-H	1	SP SLIDING BOAR GATE - HANDLE
4	SPE22288-R	2	SP SLIDING BOAR GATE - ROLLER ASSEMBLY
5	SPE22288-FGF	1	SP FRONT GATE FRAME FOR SLIDING BOAR GATE - BOLT ON
6	SPE22288-HDW	1	SP SLIDING BOAR GATE HARDWARE PACKAGE
7	SPE22287-16FR	1	DSS BARE METAL SLAM LATCH FRONT GATE
8	SPE22287-20BK	1	DSS BARE METAL SLAM LATCH BACK GATE
9	SPE14442HDWI	1	SP UL FLIPPER + HDW C/W SLOT
10	SPE22288-U	1	SP DSS SLIDING BOAR GATE U CHANNEL

2071880 - DROP TUBE
PKG GALV + FUNNEL

LOCATION



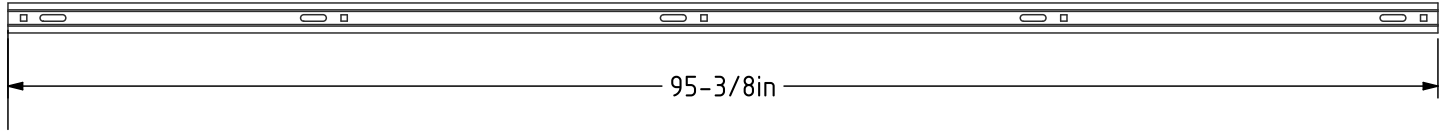
ILLUS.	DESCRIPTION	PART #	QTY.
1	GALV. DROP TUBE	2071881	1
2	3/8" LOCK NUT	NUT3/8LSS	2
3	BACKER PLATE	2070877	1
4	U-BOLT	2070878	1
5	DROP TUBE FUNNEL	2070876	1

ASSEMBLY INSTRUCTIONS

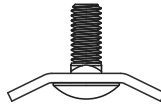
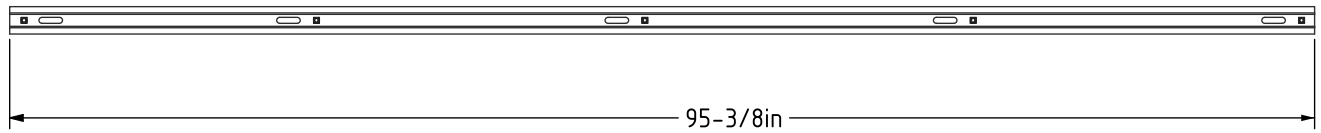
- 1) Insert the bottom of the drop tube in the section space from the front. Push the drop tube down until it touches the bottom rod.
- 2) Tilt the top of the tube back and clamp with the U-bolt and backer plate.

NOTE: The U-bolt will span the fourth space from the front. Position the U-bolt as close to the top pipe as possible.

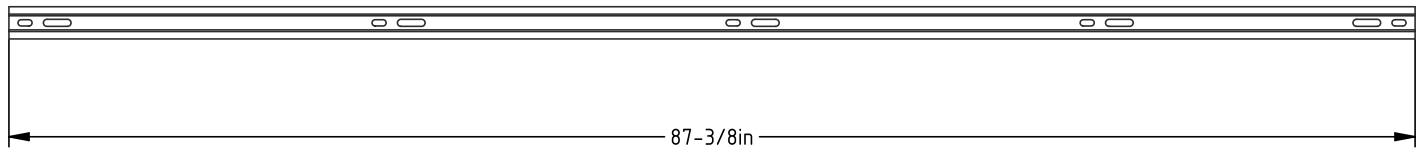
2070414
SS FORMED STRAP X 96" LG. (24" O.C.) + SS HDW



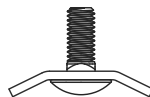
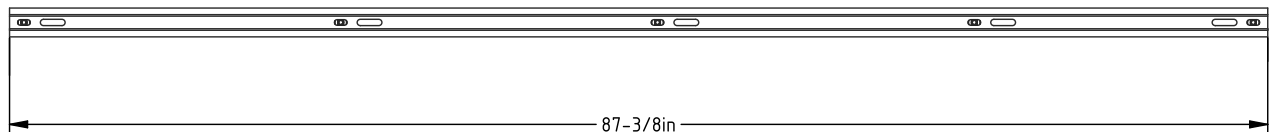
2070414-W
SS FORMED STRAP 96" (24" O.C.) + WELDED BOLTS + SS HDW



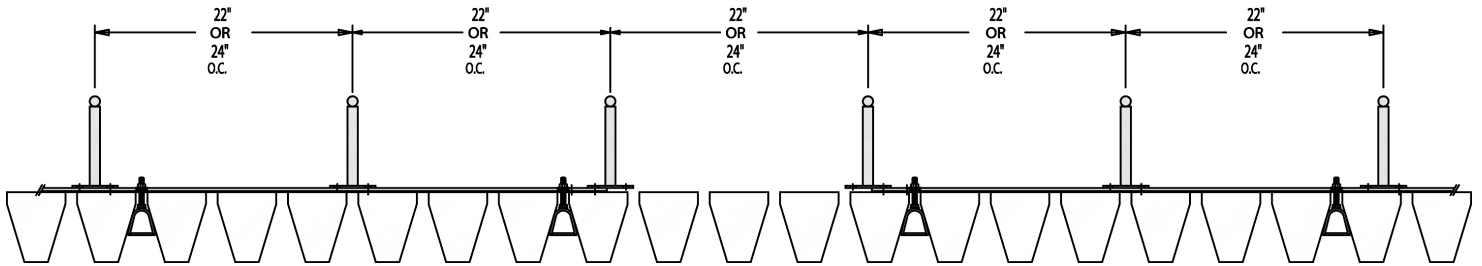
2070412
SS FORMED STRAP X 88" LG. (22" O.C.) + SS HDW.



2070412-W
SS FORMED STRAP 88" (22" O.C.) + WELDED BOLTS + SS HDW



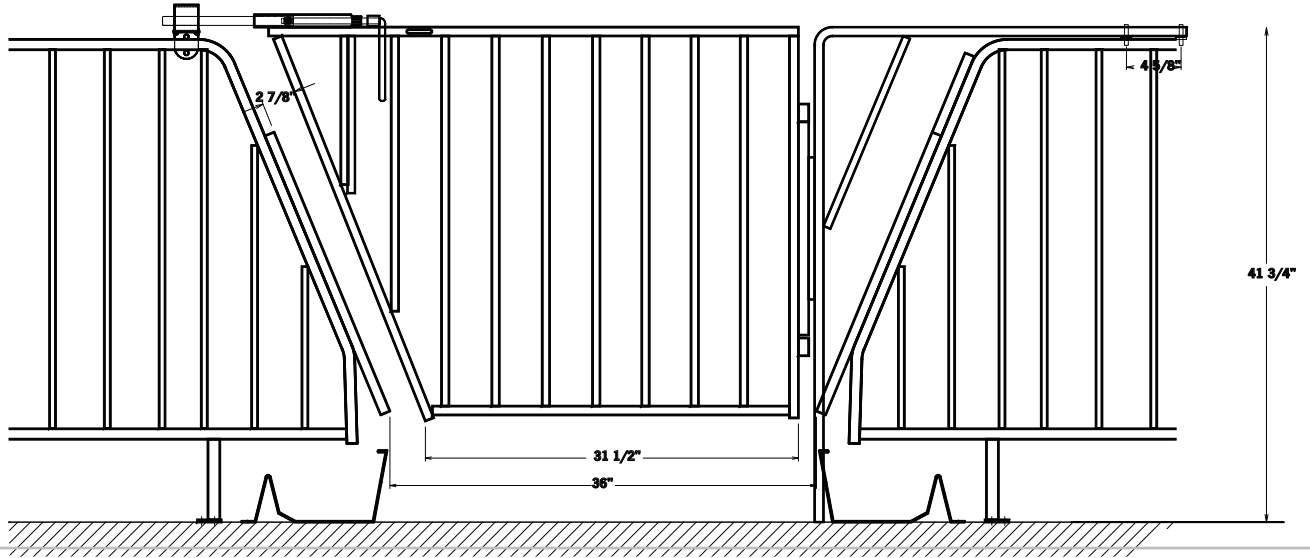
STAINLESS STRAPS (FORMED)



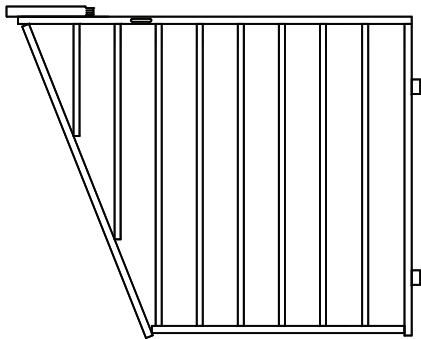
If used at front of stall, 5 wedge bolts are required to bolt strap to floor (not included).

If used at back of stall, 3 wedge bolts are required to strap to floor (not included).

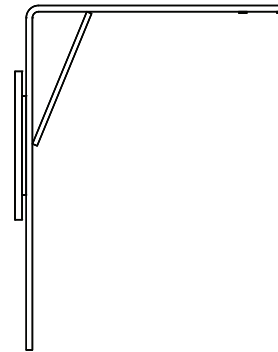
ALLEY GATE SHOWN ASSEMBLED



2071471 - (FR TO FR SW GATE - 27.5" BOTTOM)
2071472 - (FR TO FR SW GATE - 31.5" BOTTOM)



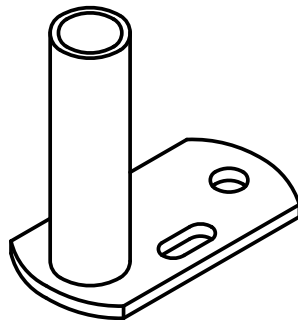
2071474
FR TO FR GALV. HINGE BKT/DSS



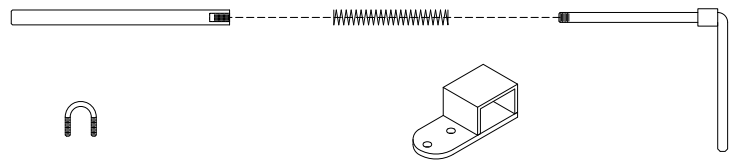
2070376
22" GALV. PIN (1/2")



2071373 - FLOOR
MOUNT/HINGE BRACKET

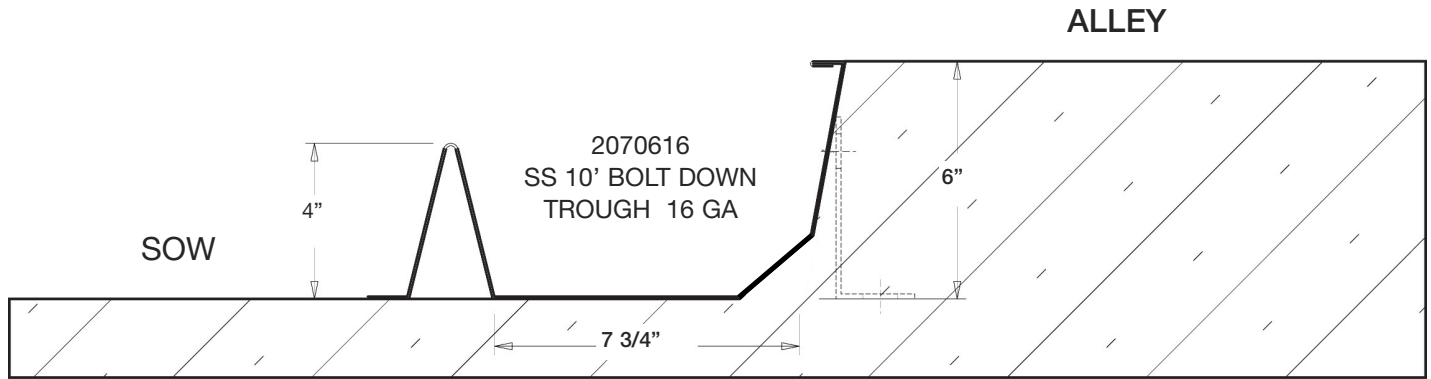


2070379
HARDWARE PACKAGE - LATCH + CATCH + PARTS

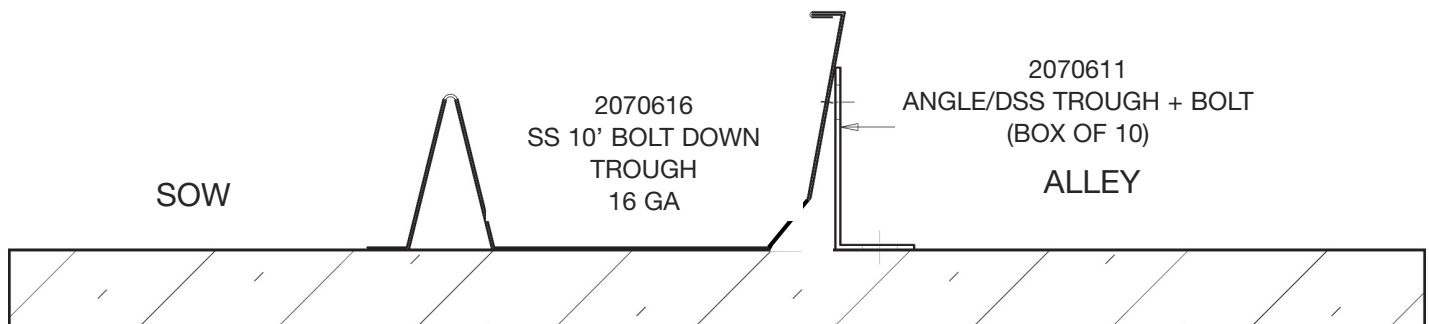


ALL ABOVE PARTS ARE AVAILABLE IN BARE METAL

**ASSEMBLY OPTION #1
BOLT DOWN TROUGH WITH RAISED CONCRETE WALKWAY**



**ASSEMBLY OPTION #2
BOLT TROUGH DOWN, NO RAISED CONCRETE WALKWAY**



A.I. STALLS

1. **Order stall package**
 - Specify with 24" or 22" (gilts).
 - Specify galvanized or bare metal.
 - Specify with OR without drop tube.
 - Order 1 row end per row.
 - Specify PIN-IN or SLAM LATCH.

2. **Order floor straps for back of stall**
 - Specify width of stall (22" or 24").
 - When calculating, leave a stall width between every strap.
 - Order anchors or T-bolts, 3 per strap at back, 4 per strap at front.

OPTIONAL ITEMS

1. **Stainless Steel Trough**
 - Order 5 drive-in SS anchors (12351-100) for sow side.
 - Order bolt-on leg (2070611 - Box of 10), 5 per trough or 2 per trough if in aisle side of trough.
 - Order 1 right end and 1 left end per row (you may order the ends alone or you may order a 10' section of trough with an end already welded in. If you order the sections with the ends, deduct 20' off the total length needed).
 - Order valve and guard, for less than 100 stalls.

2. **Alley Gates
(Front to Front Gates)**
 - Specify galvanized or bare metal.
 - Specify alley width.

HOG PRODUCTS				
PRODUCT	PIPE SIZE	WALL THICKNESS	GAUGE	TYPE (OF SS)
GESTATION STALLS				
Frame	7/8" Solid Rod			
Standard Spindles	1/2" Solid			
Heavy Spindles	5/8" Solid			
Front Gate (both)	5/8" Frame & Spindles			
WET/DRY FEEDERS			14 ga	.304 Grade
CRATES	1 5/16" O.D.	.100 Wall	12 ga	
CRATE FEEDERS			14 ga	.304 Grade
NURSERY FEEDERS			20 ga	.304 Grade

GAUGE OF TUBING	GAUGE TOLERANCE (INCHES)	ACTUAL WALL THICKNESS (INCHES)
14 ga	.071 - .081	0.074
13 ga	.082 - .096	0.085
12 ga	.097 - .111	0.100
11 ga	.112 - .126	0.115
10 ga	.127 - .141	0.130
9 ga	.142 - .156	0.145
8 ga	.157 - .170	0.160