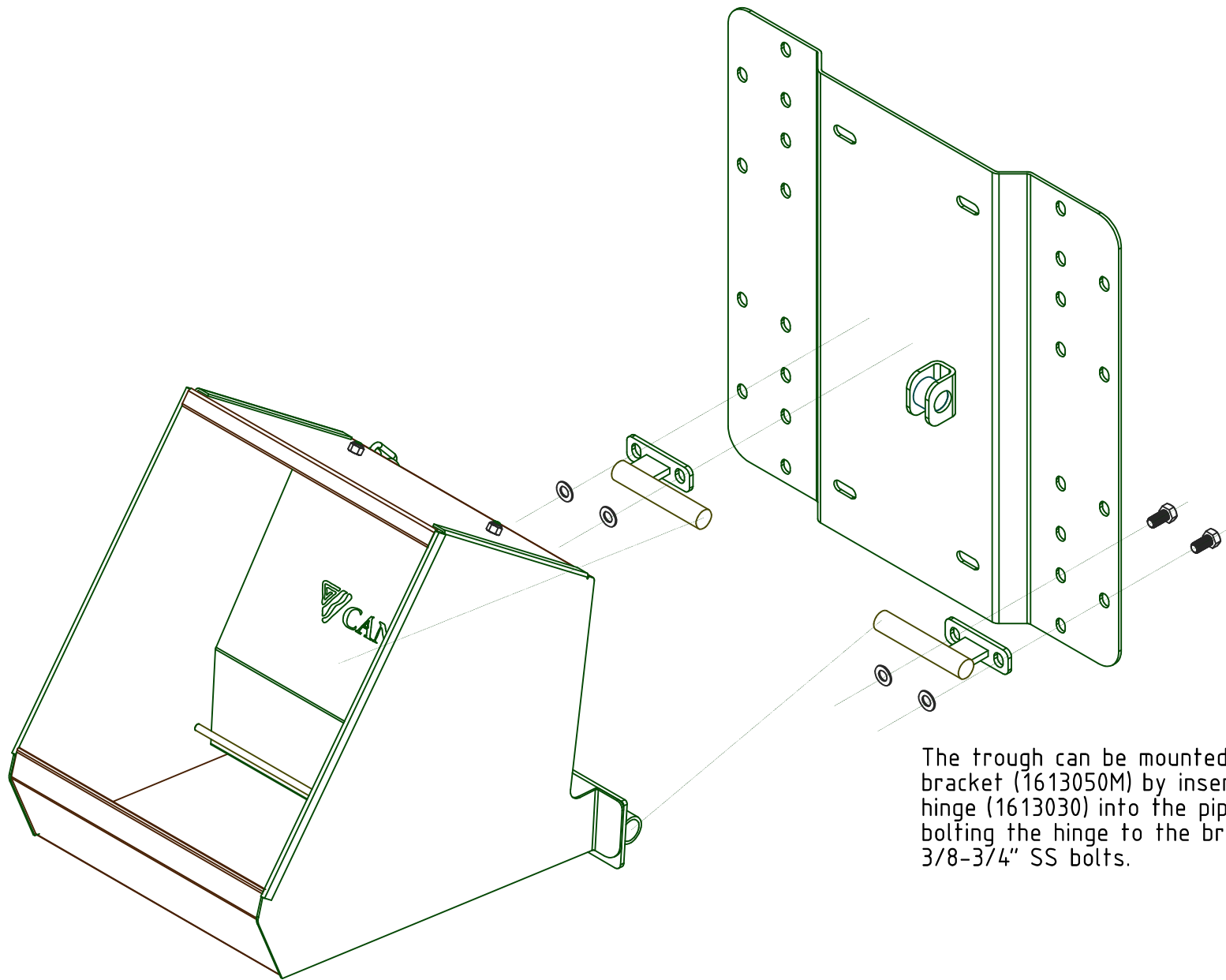


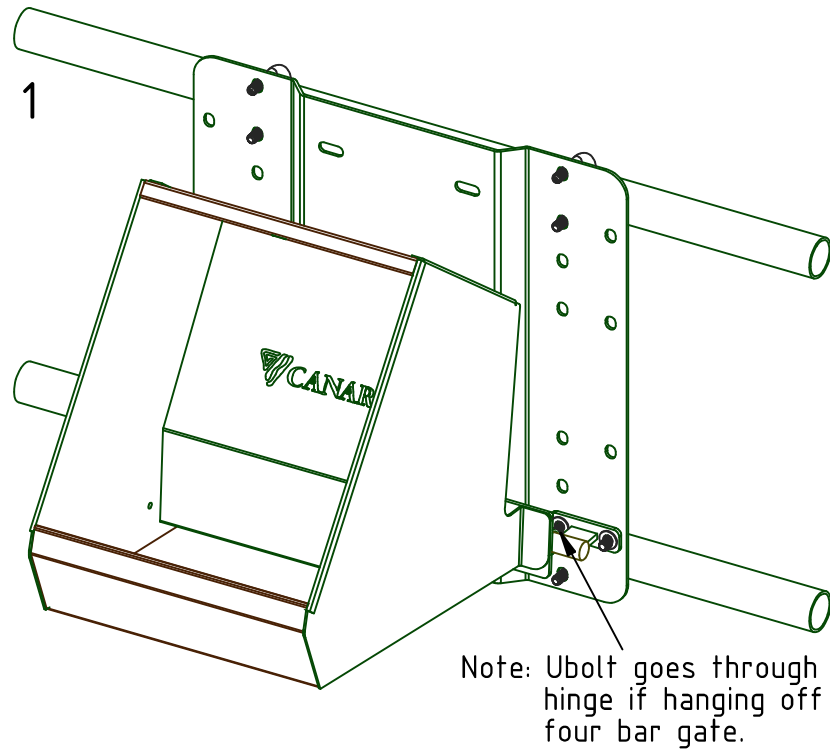
1) When looking into the trough, place the union (1500110) on the outside of the hole on the outside of the left hand side hole while placing the float valve (1500201) on the inside. Screw them together through the hole until snug.
 *Note: Do not over tighten

2) Attach 3/8-1" SS bolts through the collar on the union (1500110) to secure it to the trough. Use 3/8 SS lock nuts to fasten in place.

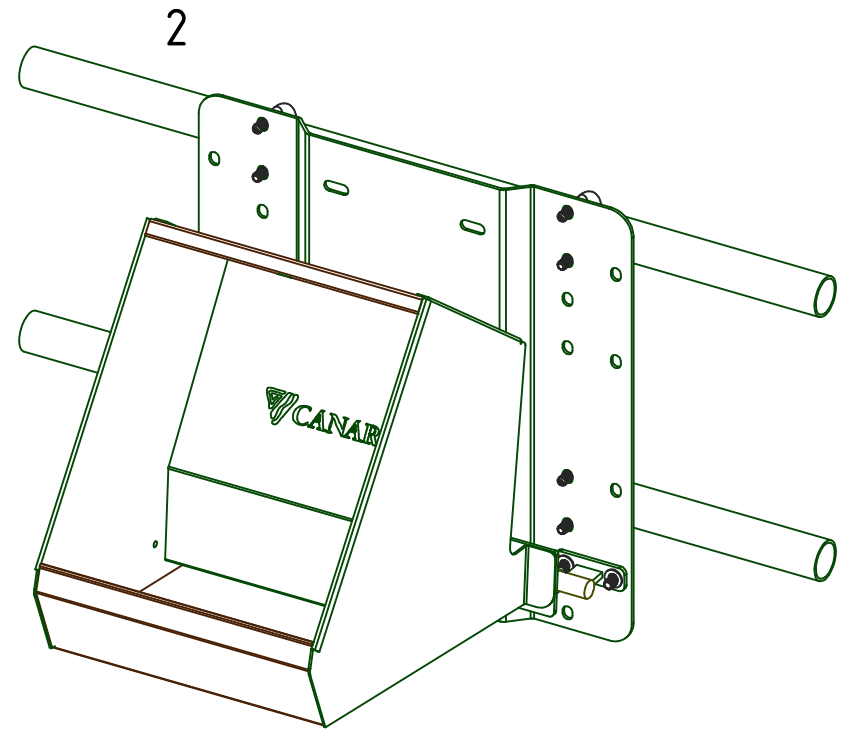


The trough can be mounted to the bracket (1613050M) by inserting the hinge (1613030) into the pipe and then bolting the hinge to the bracket using 3/8-3/4" SS bolts.

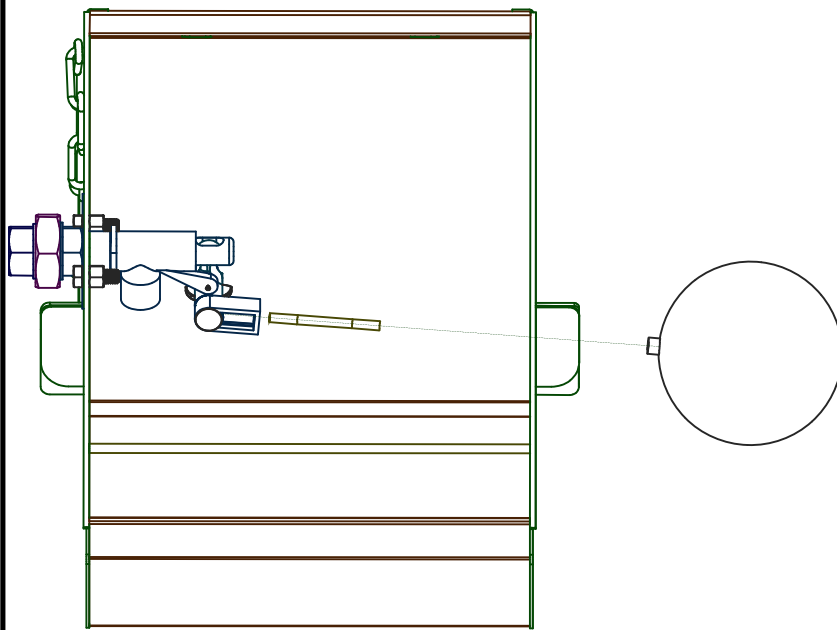
The bracket can be attached to a four bar gate (1), five bar gate (2), 5" or 6" square posts (3) or vertical round posts (4) using the appropriate u-bolts.



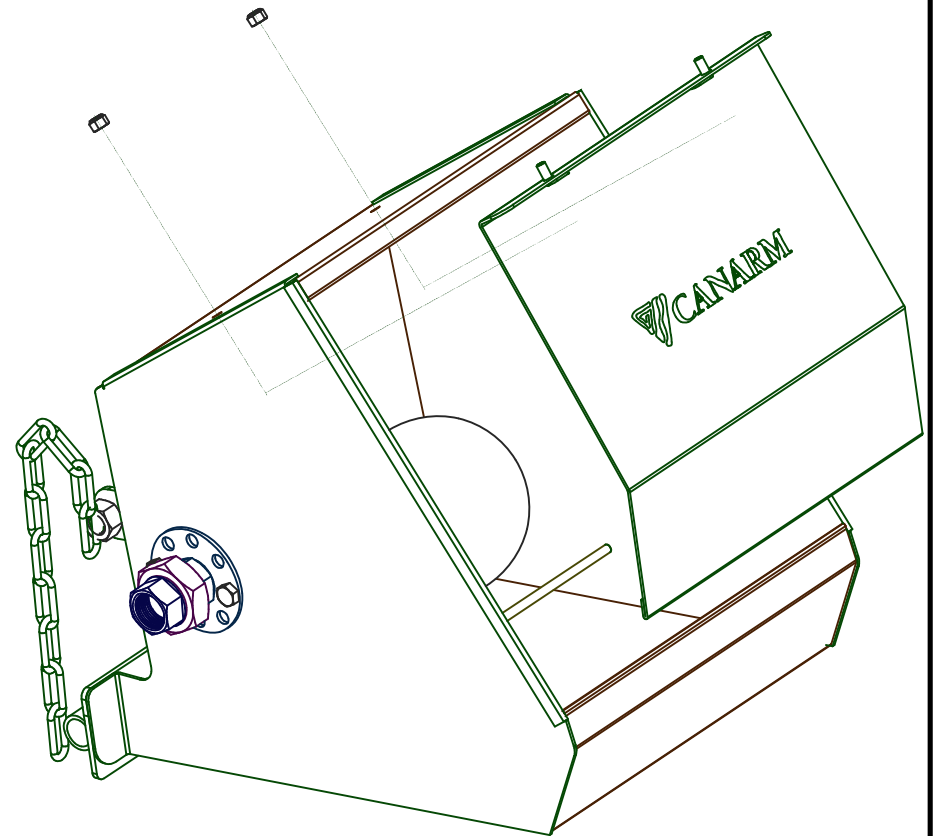
SCALE 1:7



SCALE 1:7



3) Attach float arm to the float valve (1500201), and then attach the float ball (1600127) to the float arm (1600129-3). Adjust the float to acquire desired water level in trough.



4) Place cover (1610010) over the float sliding the welded on bolts through the holes in the top of the trough. Use 1/4 SS lock nuts to fasten the cover into place. The rod inside the trough should not be visible after the cover is attached



PART DESC

SINGLE HEAD SS WATERER PACKAGE(TIP OPTIONX FLOAT AND HDW)

DWG NO.

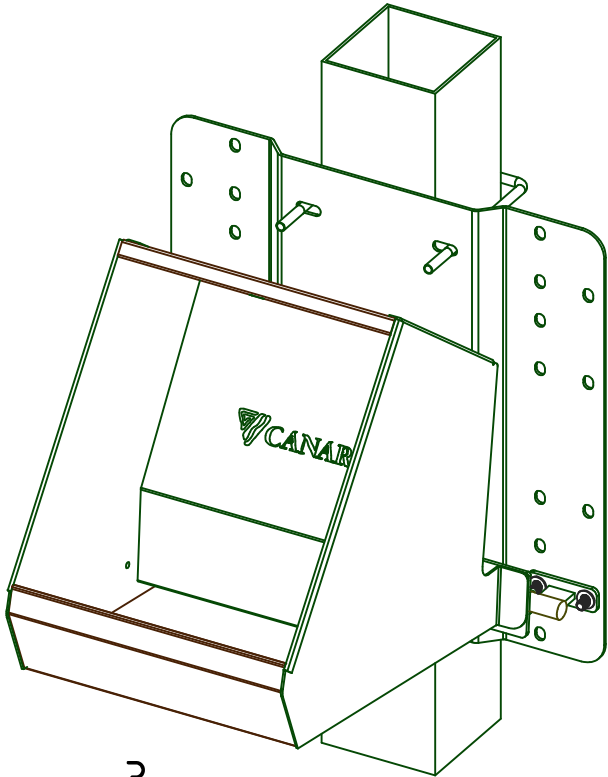
1613000

STD. TOLERANCES:

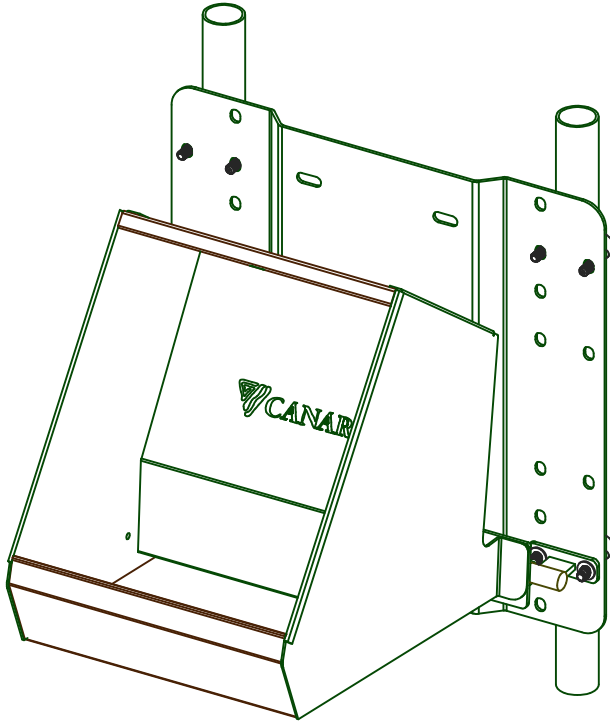
[+1/16" / -1/16"]

Unless Otherwise Specified
All Drawing Units are In
INCHES

The bracket can be attached to a four bar gate (1), five bar gate (2), 5" or 6" square posts (3) or vertical round posts (4) using the appropriate u-bolts.



3



4

Note: Ubolt goes through hinge if hanging off verticle pipes.



PART DESC SINGLE HEAD SS WATERER PACKAGE(TIP OPTIONX FLOAT AND HDW)	STD. TOLERANCES: [+1/16" / -1/16"]
	Unless Otherwise Specified All Drawing Units are In INCHES
DWG NO. 1613000	Pg6