



Roll-A-Way Curtain

INSTALLATION MANUAL

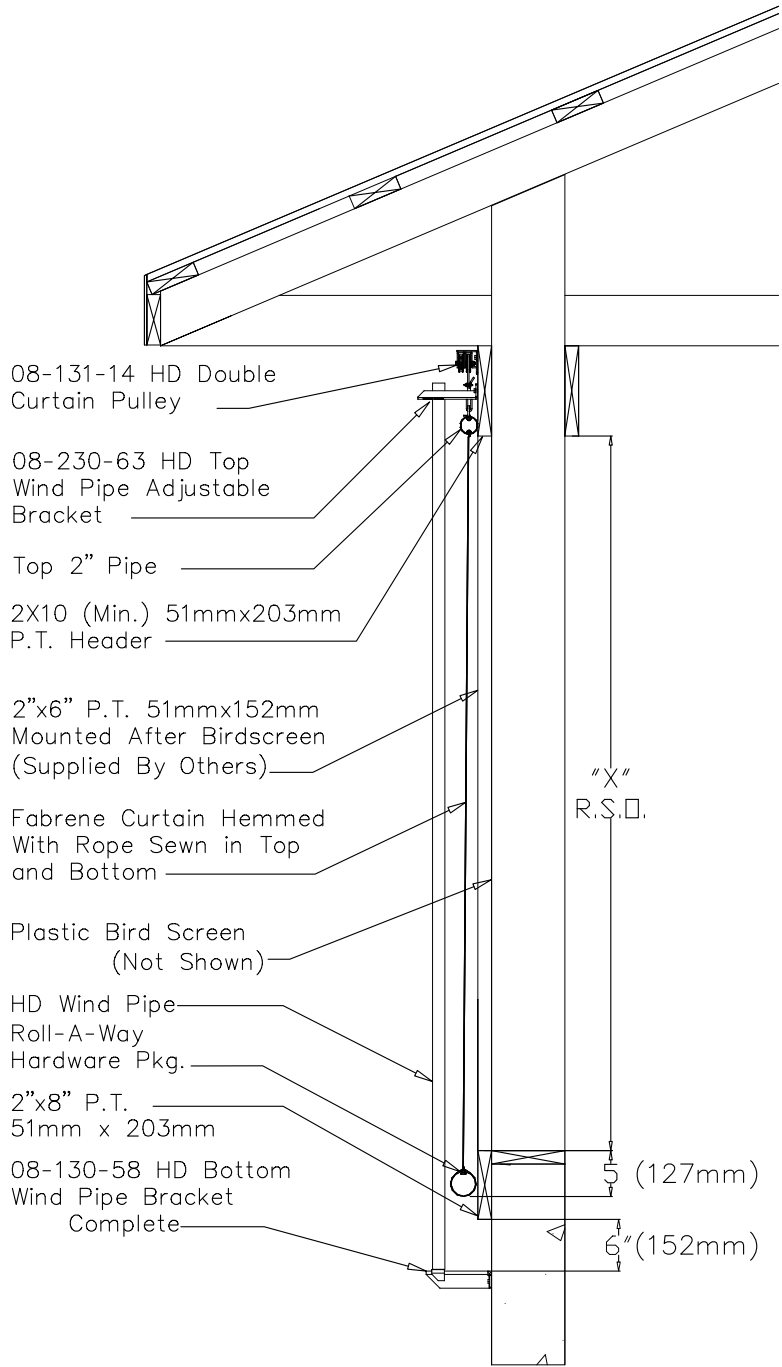


P.O. Box 279
Shakespeare, ON
NOB 2P0

1-800-960-4002
www.faromor.com

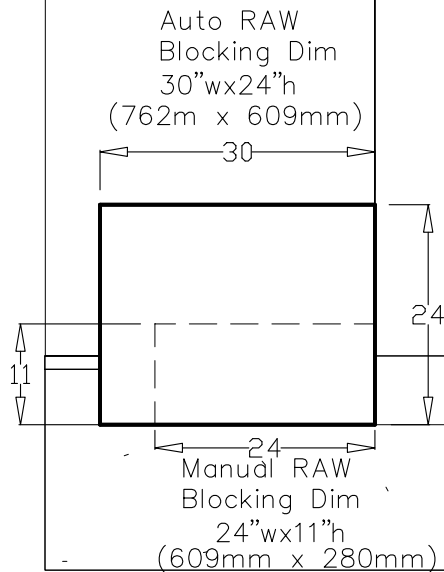
October 2017

RSO INFO



FRAMING OPENING (IMPERIAL)	
Curtain Size	Rough Size Opening ("X")
4 FT.	3'-6"
5 FT.	4'-6"
6 FT.	5'-6"
7 FT.	6'-6"
8 FT.	7'-6"
9 FT.	8'-6"
10 FT.	9'-6"

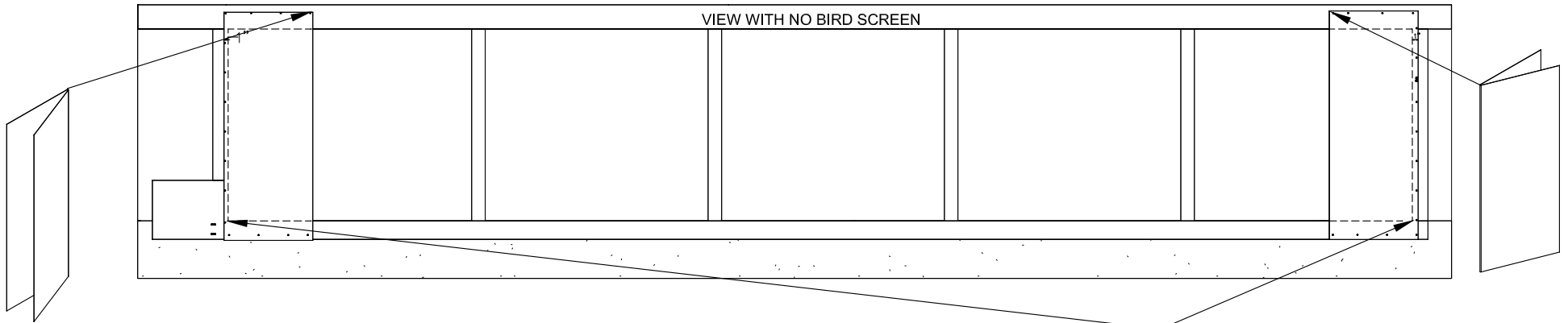
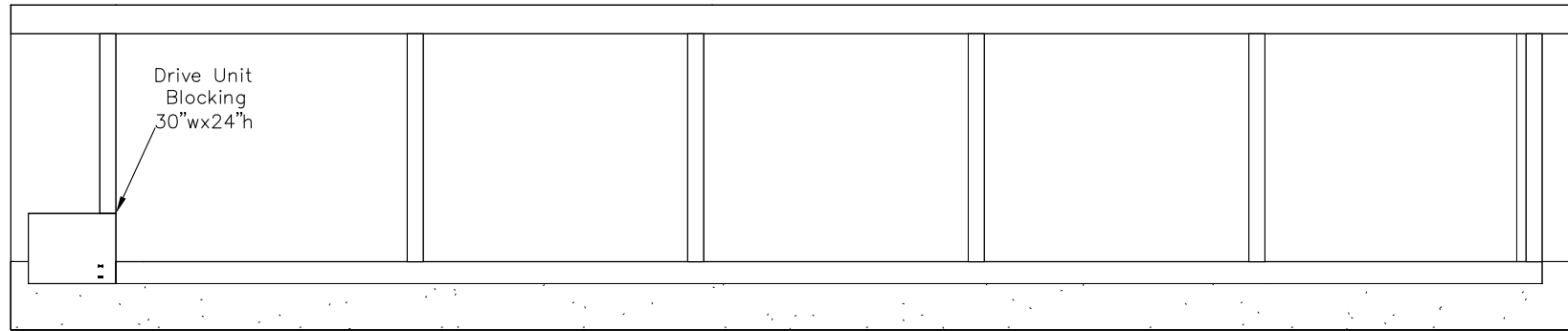
FRAMING OPENING (METRIC)	
Curtain Size	Rough Size Opening ("X")
1829mm	1676mm
2134mm	1981mm
2438mm	2285mm
2743mm	2590mm
3048mm	2895mm
3353mm	3200mm
3658mm	3505mm



3" Thick Solid Blocking for Auto RAW

Note: Blocking to be Flush with front of 8" Header

INSIDE POCKETS

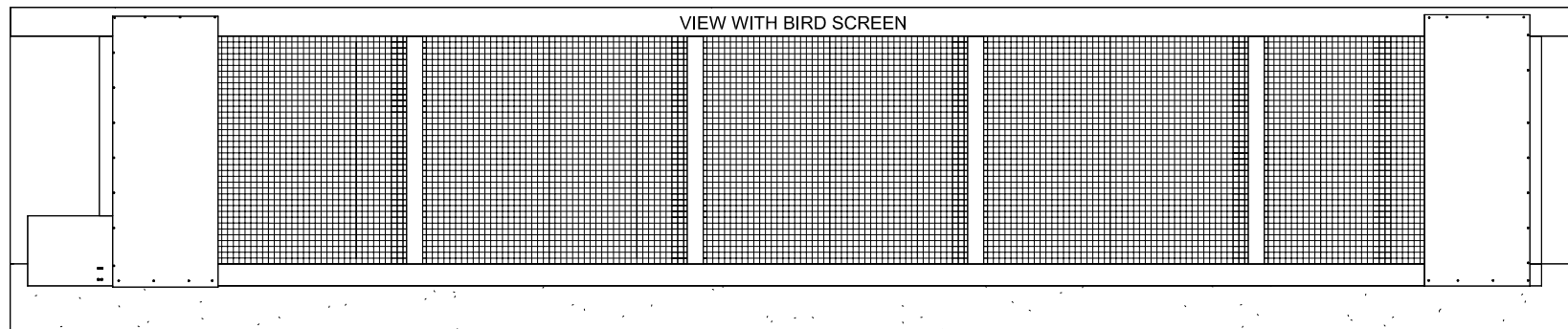


When installing the RAW system The first step is to install the inside pockets.

The inside pockets come in various lengths but they are always 72" (183cm) in width.

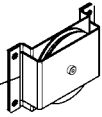
Fold this material in half and fasten with roofing nails as shown with the folded edge towards the opening.

Fasten folded material so the edge is approx. 1" to the outside of the opening.



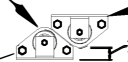
CURTAIN PULLEY INSTALLATION

08-131-20
FLUSH MOUNT
PULLEY & BRACKET

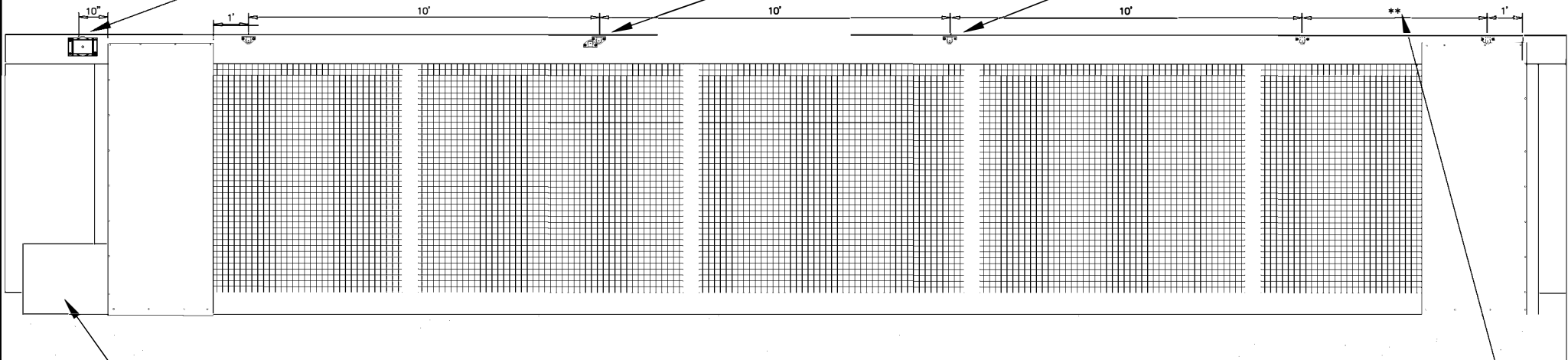


REVERSE
PULLEY

MOUNT REVERSE
PULLEY UPSIDE
DOWN AND 1"
BELOW REGULAR
PULLEY



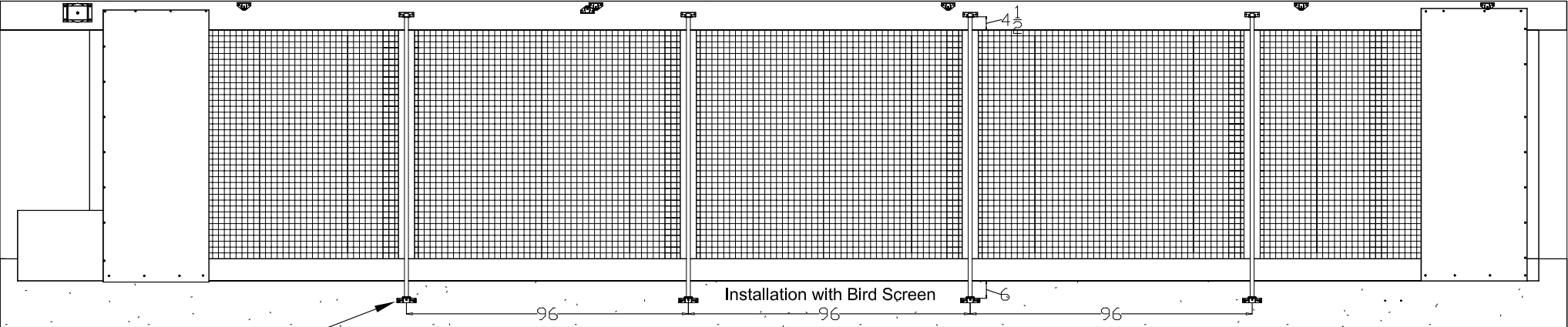
08-131-14
HD DOUBLE CURTAIN
PULLEY



For this illustration, the
drive will be located here.

**The last pulley should be 12" in from
the end pocket. The distance between the last two pulleys is variable

HD WIND PIPES AND BRACKETS



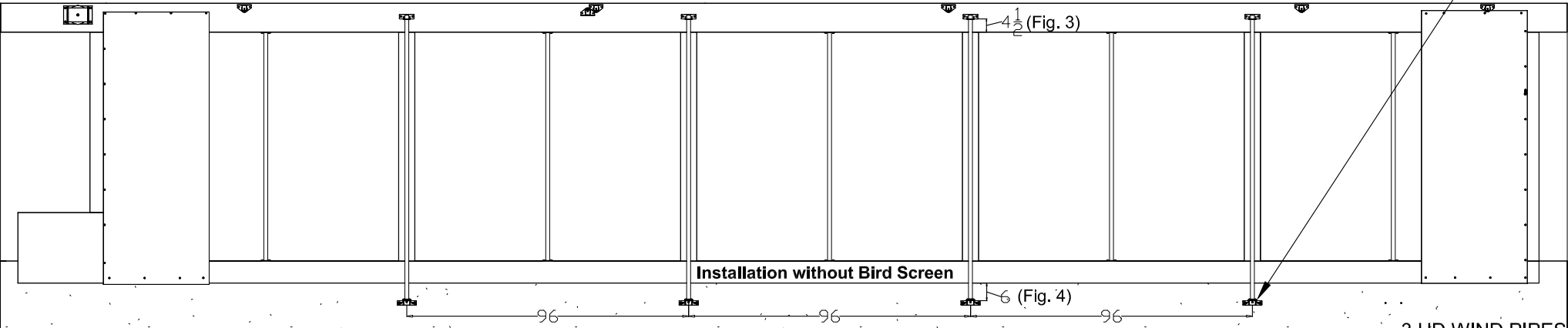
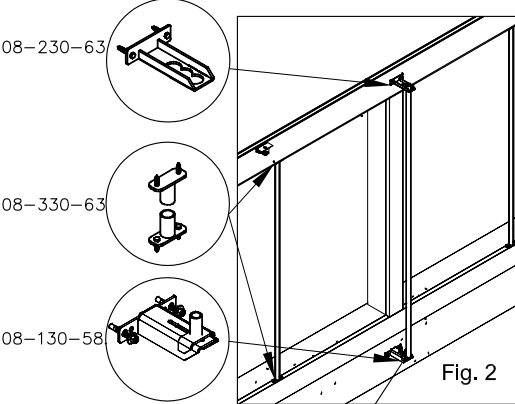
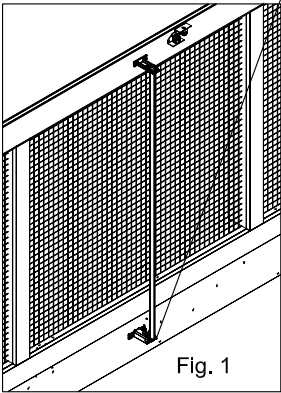
It is strongly recommended to use Bird Screen.

When installing the curtain with the bird screen, the bird screen is extra support for the wind and the inside wind pipes are not required. The outside wind pipes can be fastened in front of the building posts. (Fig. 1)

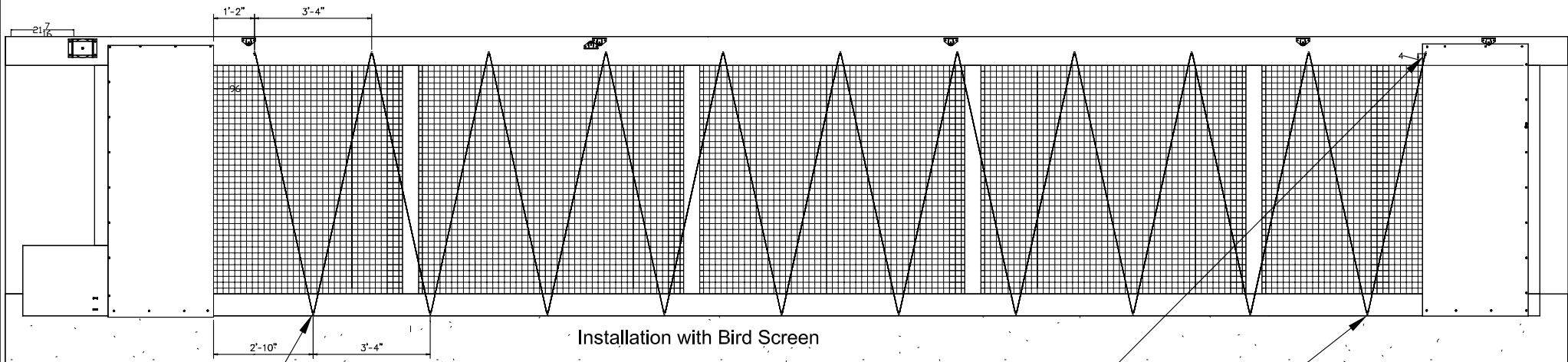
When installing the curtain with no bird screen and extra wind protection is required inside wind pipes are used. Install these inside wind pipes between the building posts (Fig. 2)

When installing the outside wind pipe brackets they should be 4-1/2" up from the bottom of the top header (Fig. 3)

The top of the bottom wind pipe brackets should be 6" below the bottom of the bottom board (Fig. 4)



INSTALLATION USING WIND ROPES



It is suggested to install bird screen.

When installing the curtain with the bird screen, the bird screen is extra support for the wind and the inside wind ropes are not required

The outside wind ropes are fastened with eye bolts top and bottom. **(Fig. 1)**

When installing the curtain with no bird screen and extra wind protection is required, inside wind ropes are required. **(Fig. 2)**

The spacing for the inside eyebolts should match the outside eyebolts. **(Fig. 3)**

When installing curtains under 8' (2.4m) it is okay to use wind ropes.
Curtains over 8' (2.4m) it is recommended to use wind pipes.

Top eyebolt should be fastened 4" above the bottom of the board.

Bottom eyebolt should be fastened 1" above the bottom of the board.

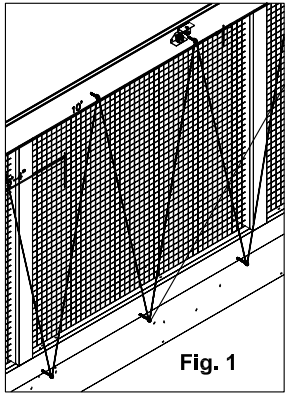


Fig. 1

MEBG38412
3/8X4-1/2 LAGSCREW
EYEBOLT

MSE551010
5510-10WPSE
SCREWEYE
1/4X2-5/8

MSE551010
5510-10WPSE
SCREWEYE
1/4X2-5/8

MEBG386
3/8X6 LAGSCREW
EYEBOLT

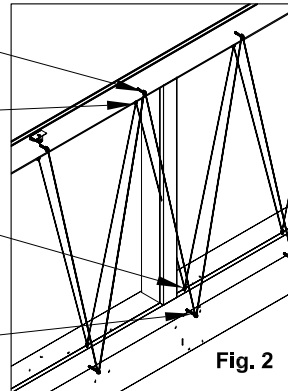
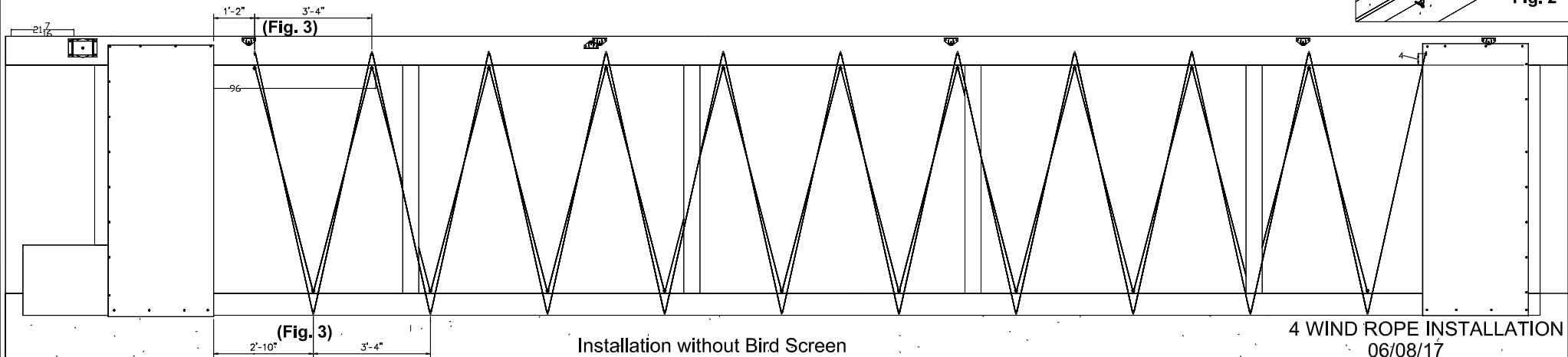


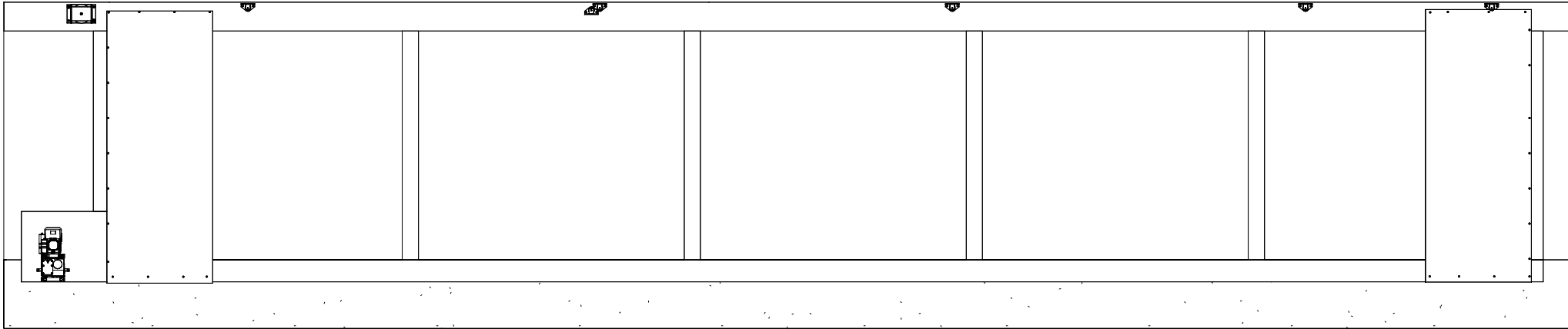
Fig. 2



(Fig. 3)

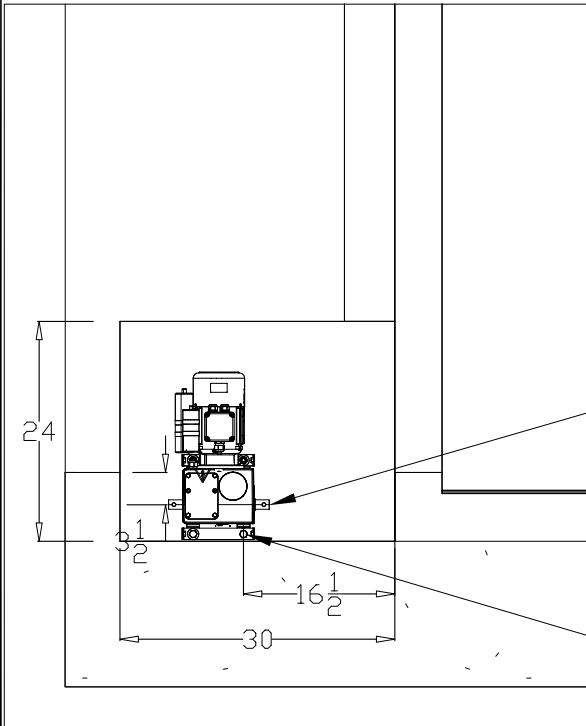
Installation without Bird Screen

MOUNTING THE ROLL-A-WAY DRIVE



The blocking area for the RAW drive should be 24"hx30" wide.
If this blocking area is to be mounted on a stud wall, it should be double ply.

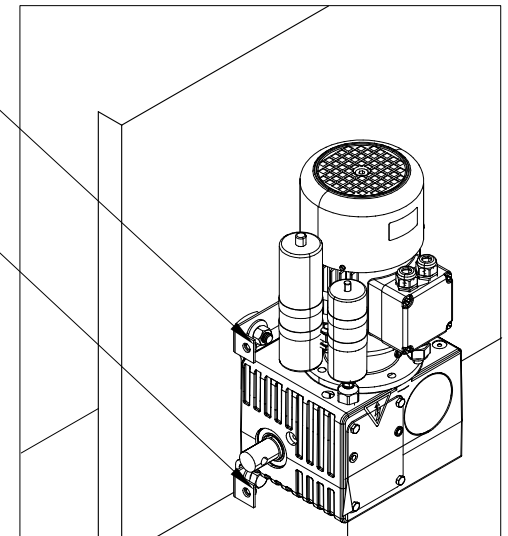
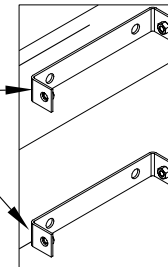
The mounting hardware shipped with drive includes 2 lengths of threaded rod with nuts and bolts and some .5" lag bolts. These are powerful drives and it is recommended to use the threaded fasteners through the wall



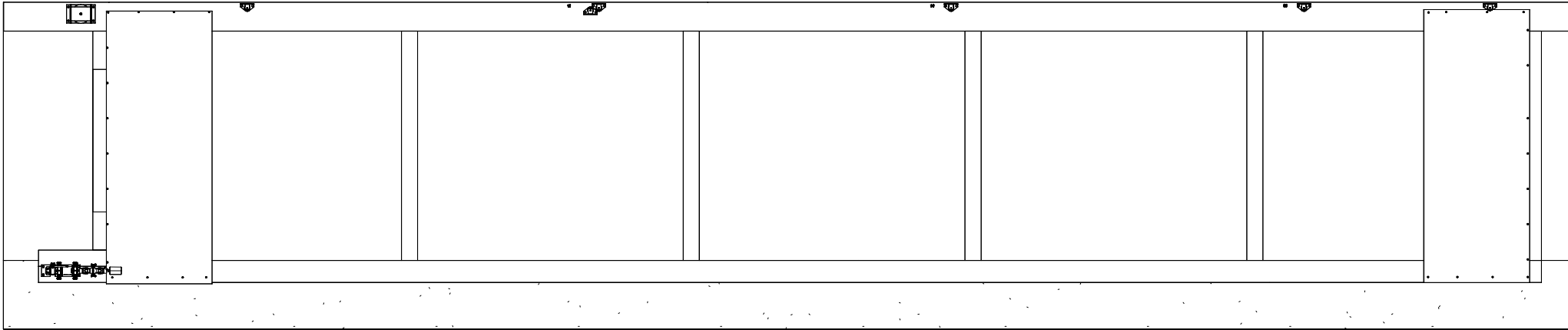
When mounting the drive unit to the wall, make sure to fasten the SS cover brackets (09-208-58-12) at the same time. These will be shipped with the 09-208-58 cover assembly.

When positioning the drive. The center of the shaft should be 3-1/2" down from the top of the bottom board

From the edge of the curtain opening, to the center of the hole of the closest bracket should be 16-1/2".

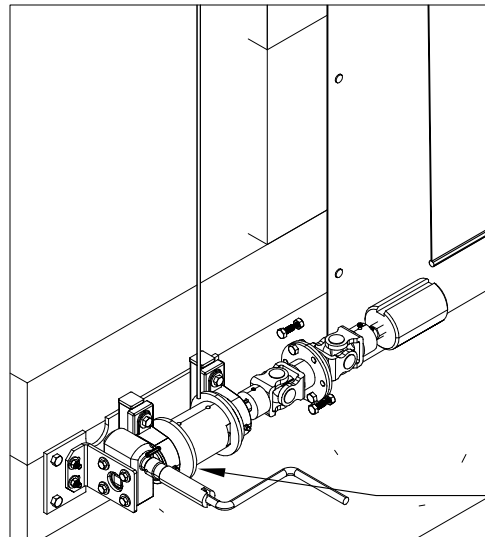
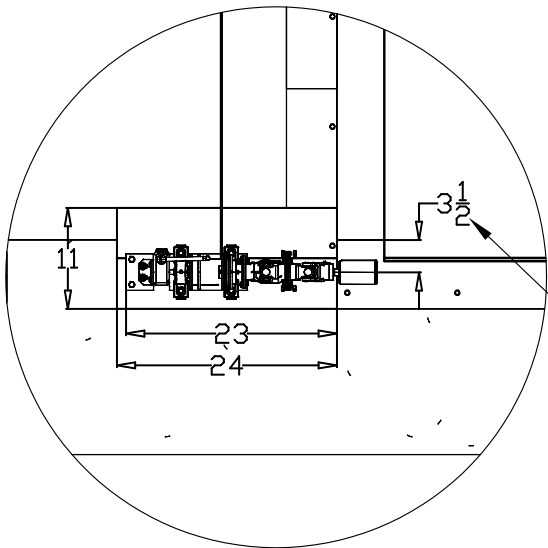


MOUNTING THE MANUAL ROLL-A-WAY DRIVE



The blocking area for the RAW drive should be 11" h x 24" wide.

If this blocking area is to be mounted on a stud wall, it needs to be double ply.

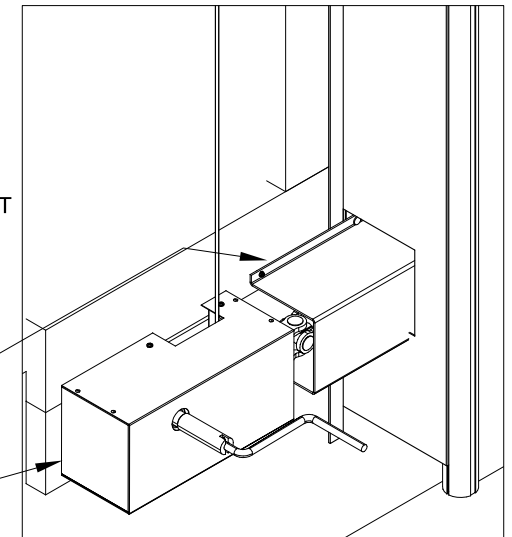


08-130-26 MANUAL ROLL-A-WAY DRIVE UNIT

When positioning the drive. The center of the shaft should be 3-1/2" down from the top of the bottom board

09-200-58-28 UNIVERSAL ASSEMBLY COVER FOR RAW AUTOMATIC DRIVE

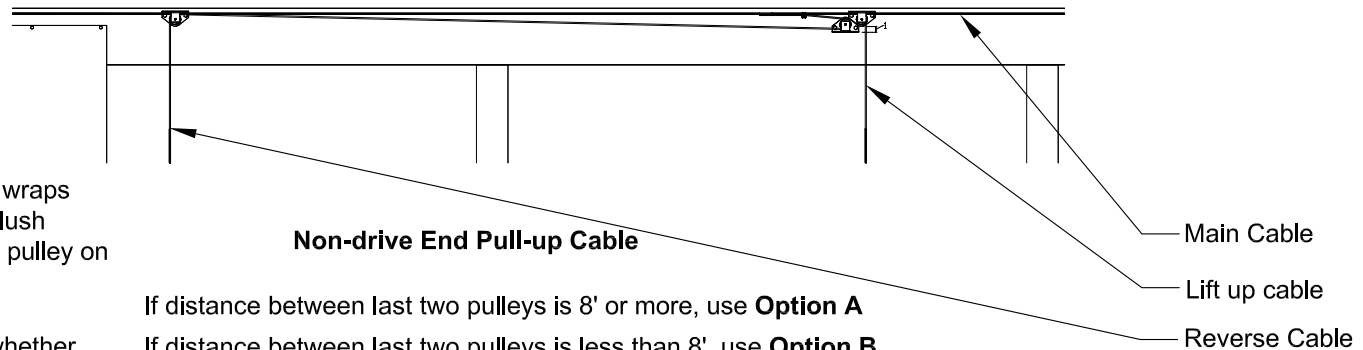
08-233-26 MANUAL RAW COVER COMPLETE



END PULL-UP CABLE INSTALLATION

Reverse Pull-up Cable Drive-End

Reverse pull-cable should be packed separately and is twice as long as standard pull up cable.



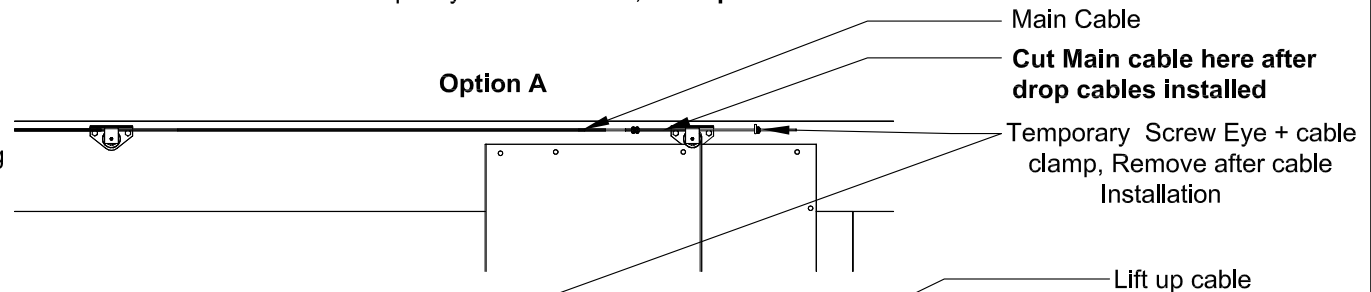
When you run the main cable, make sure to have 2 wraps on the cable drum. Run main cable up through the flush mount pulley and along the wall through the outside pulley on the double pulleys.

When you get to the non-drive end, depending on whether you are using Option A or Option B anchor the main cable to the temporary eye bolt with a cable clamp on the cable.

When the main cable is anchored, manually operate the drive to tighten up the main cable and proceed to installing the drop cables.

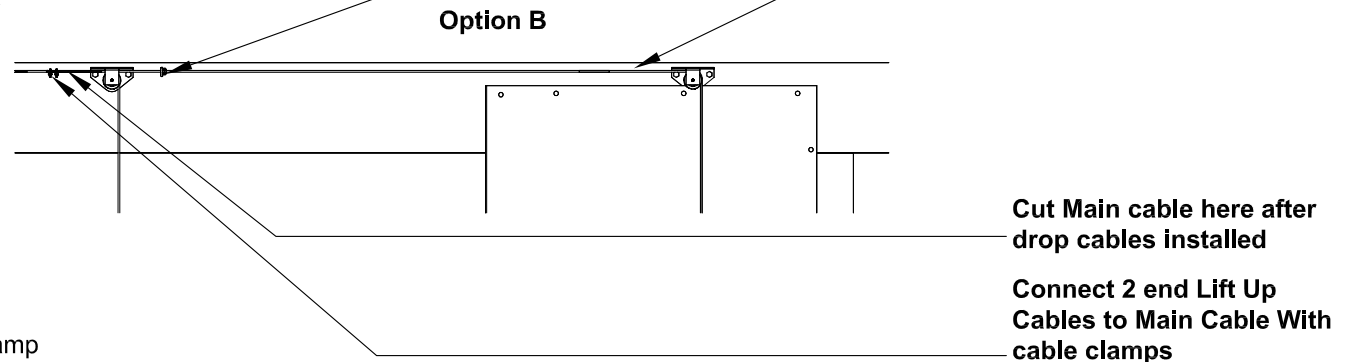
If distance between last two pulleys is 8' or more, use **Option A**

If distance between last two pulleys is less than 8', use **Option B**



Option A

If distance between last pulley and second last pulley is 8', run main cable 12" past last pulley. Use 1/8" pull-up cable and attach to main cable as per other pull-ups.



Option B

If distance between the last two pulleys is less than 8', run main cable 12" past second last pulley. Use 1/8" cable for pull-up, thread over pulley, through temporary screw eye and attach to the main cable to the left of previous cable clamp

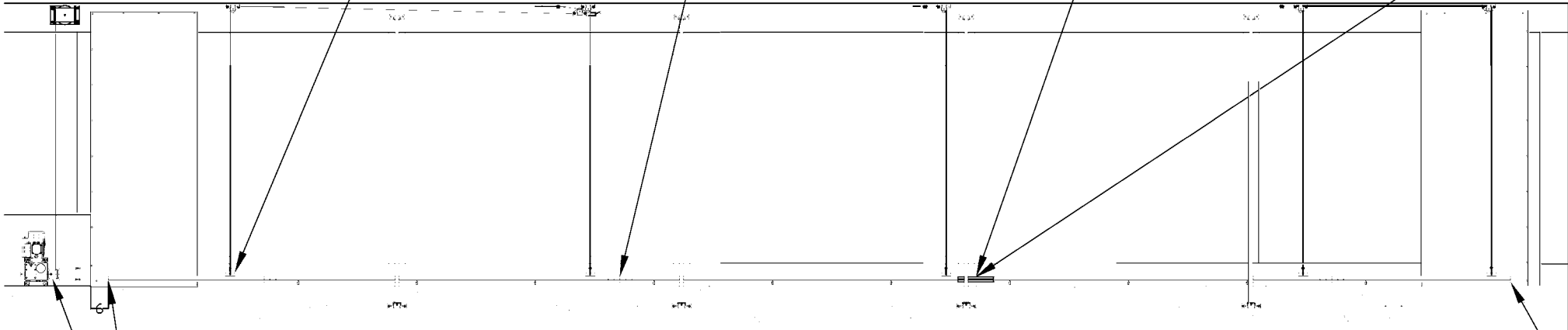
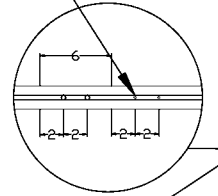
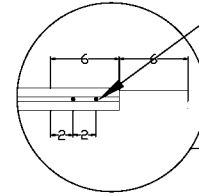
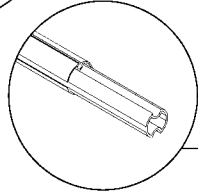
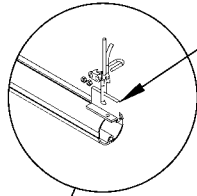
TOP ALUMINUM TUBE AND LIFT TAB INSTALLATION

Step 3: Slide aluminum lift tabs into tube keeping bottom of "L" shape to the outside. Line up aluminum tabs with drop cables. Attach cables to tabs, going from back to front, and fasten cable to itself with cable clamp supplied.

****Note:** cable clamp nuts should be facing away from the building.

Step 1: Take one length of 2" aluminum tube, slide in accompanying joiner as specified below, fasten tube to joiner, and slide next piece of aluminum tube over joiner. Butt two pieces of aluminum tube together and fasten second piece to joiner. (Joiner should be fully enclosed.)

Step 2: Drill appropriate sized hole through end of tube and joiner, fasten tube and joiner together with pop rivets supplied. (Rivet head should fit on flat part of aluminum tube.)



When starting from one end, start the 2" pipe 6" from the outside edge of the inside pockets.

Before mounting the cable drum on the drive shaft, spread some grease on the shaft.

Faromor Tip: To ensure drop cable lengths are even, lay entire length of 2" top aluminum pipe onto bottom screweyes or bottom wind pipe brackets. Attach cable to lift tabs and tighten securely. (Hold aluminum pipe firmly onto screweyes to avoid lifting of pipe.)

When cutting the last 2" pipe to length, cut it so the end of the pipe is 6" from the outside edge of the inside pocket.

CURTAIN MATERIAL AND BOTTOM TUBE INSTALLATION

Step 1: After the top 2" pipe is hanging level, and all cable clamps tightened, manually operate the drive to lift the 2" pipe to a comfortable working height.

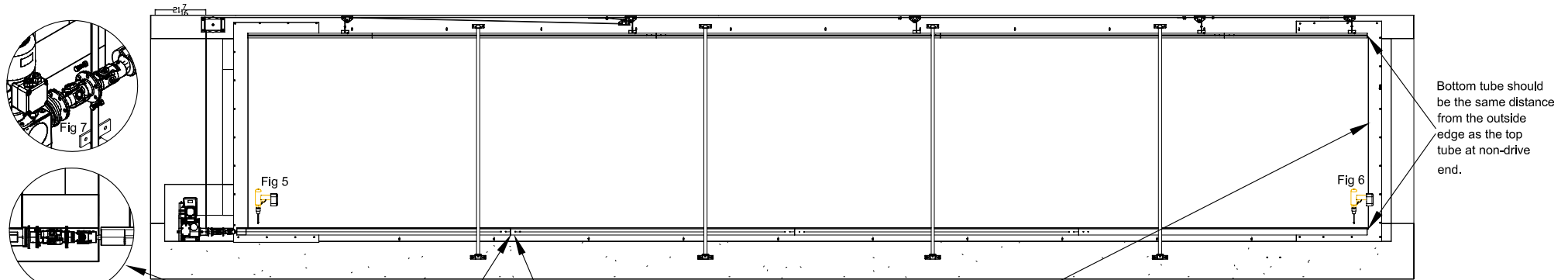
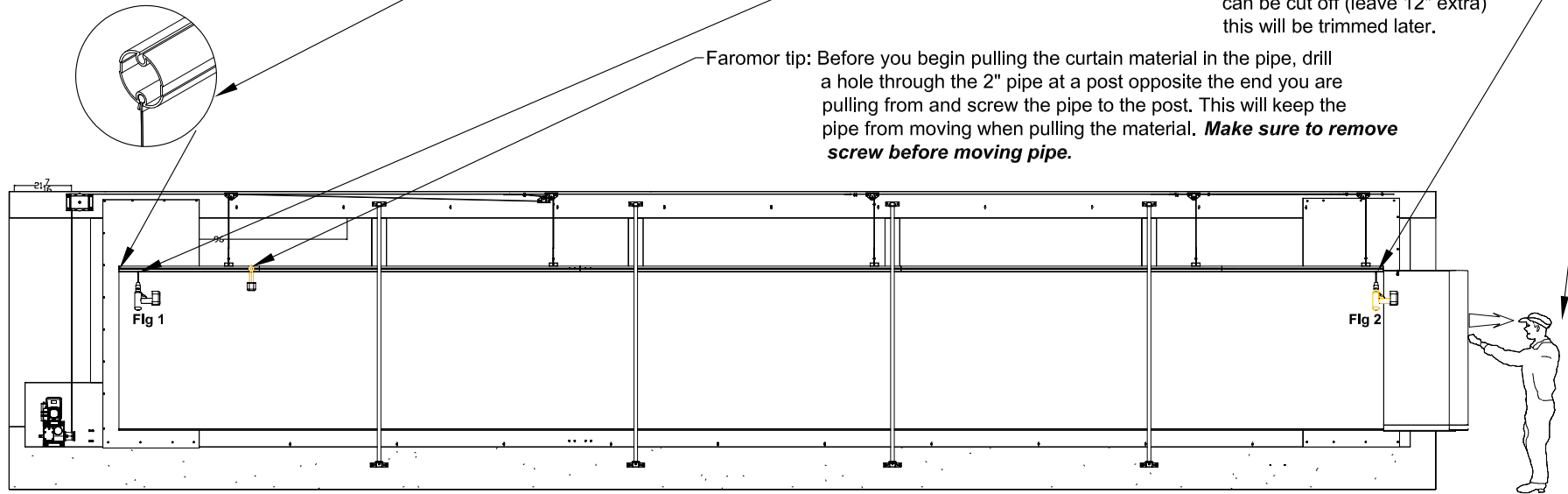
Step 2: Sewn into the top and bottom of curtain material is a nylon rope. Slide curtain to far end of tube so curtain is fully unrolled. **Note: make sure the small flap on the curtain is to the inside.**

Step 3: When the curtain is pulled the length of pipe, anchor the material to the pipe (approx. 6-8" from end)
Fig 1

Step 4: After the material is anchored at the far end, stretch the material (only enough to remove wrinkles) and anchor material to pipe. Fig 2

After material is anchored top and bottom the excess material can be cut off (leave 12" extra) this will be trimmed later.

Faromor tip: Before you begin pulling the curtain material in the pipe, drill a hole through the 2" pipe at a post opposite the end you are pulling from and screw the pipe to the post. This will keep the pipe from moving when pulling the material. **Make sure to remove screw before moving pipe.**



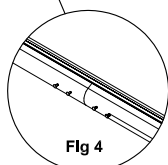
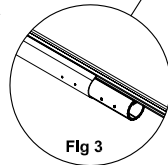
Step 1: After curtain is slid in top 2" pipe, use a drill on the drive and manually lift top pipe to top of opening.

Step 2: Slide 3" tube on to bottom of curtain and push it to the drive end. And over 3" adapter.

Step 3: Slide joiner into 3" pipe and rivet (Fig 3)

Step 4: Slide 2nd pipe onto joiner and rivet (Fig 4)

Step 5: Anchor curtain to 3" pipe, approx 15" from end of pipe (Fig 5)

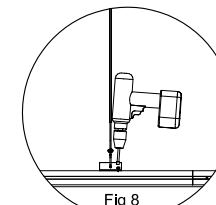


Step 6: Stretch material, (only enough to remove wrinkles) and anchor (Fig 6)

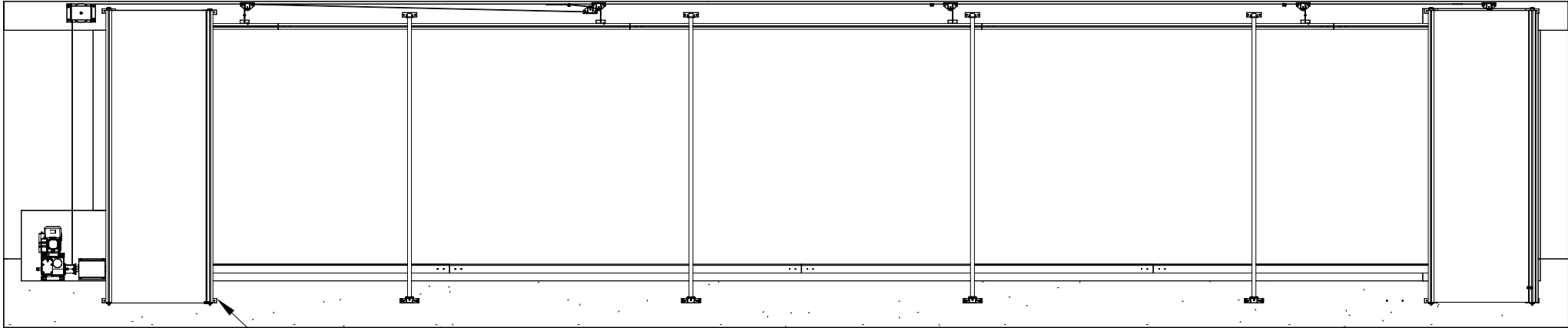
Step 7: After material is stretched and anchored cut off excess 12" of curtain material

Step 8: Once curtain is stretched and anchored, connect the universal with the 2 bolts (supplied), (Fig 7)

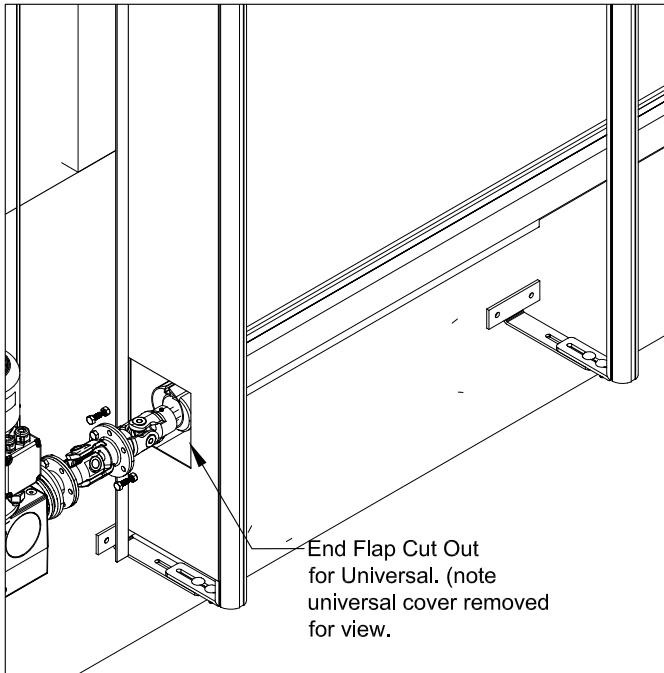
Step 9: Open curtain and make sure lift cables are hanging plumb and fasten lift tabs to top pipe with self drilling screws (Fig 8)



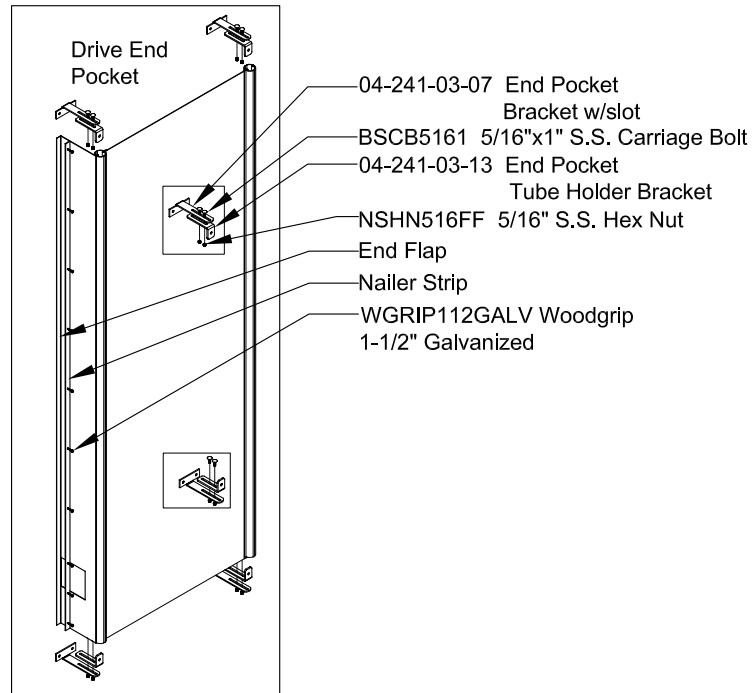
END POCKET COMPLETION



WHEN MOUNTING POCKET BRACKETS, KEEP THEM THE SAME HEIGHT AS THE OUTSIDE WIND PIPE BRACKETS. (6" BELOW BOTTOM OF BOTTOM BOARD)

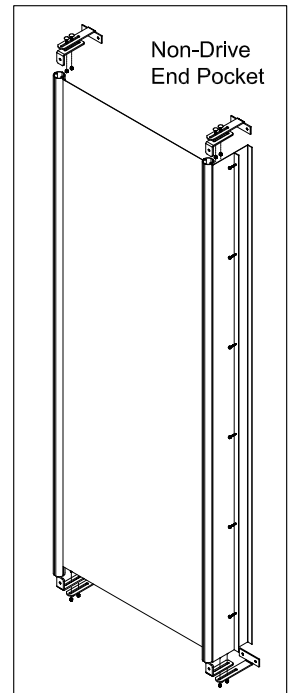


End Flap Cut Out for Universal. (note universal cover removed for view.)



Drive End Pocket

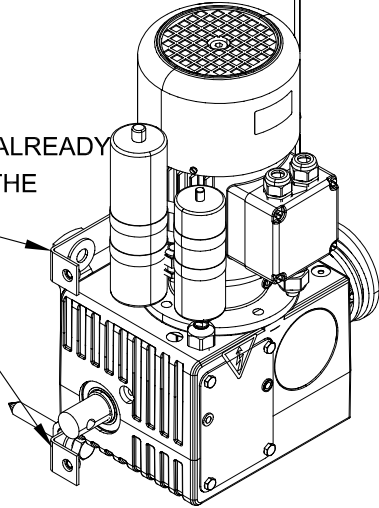
- 04-241-03-07 End Pocket Bracket w/slot
- BSCB5161 5/16"x1" S.S. Carriage Bolt
- 04-241-03-13 End Pocket Tube Holder Bracket
- NSHN516FF 5/16" S.S. Hex Nut
- End Flap
- Nailer Strip
- WGRIP112GALV Woodgrip 1-1/2" Galvanized



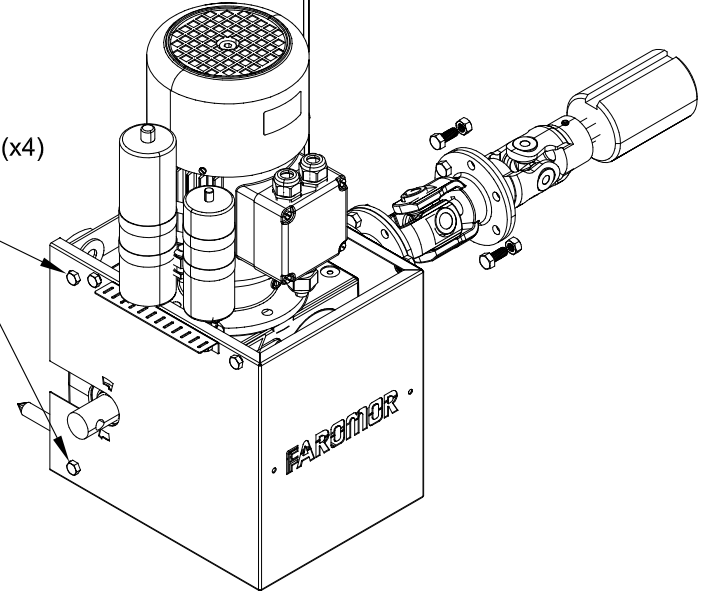
Non-Drive End Pocket

SS DRIVE COVER INSTALLATION

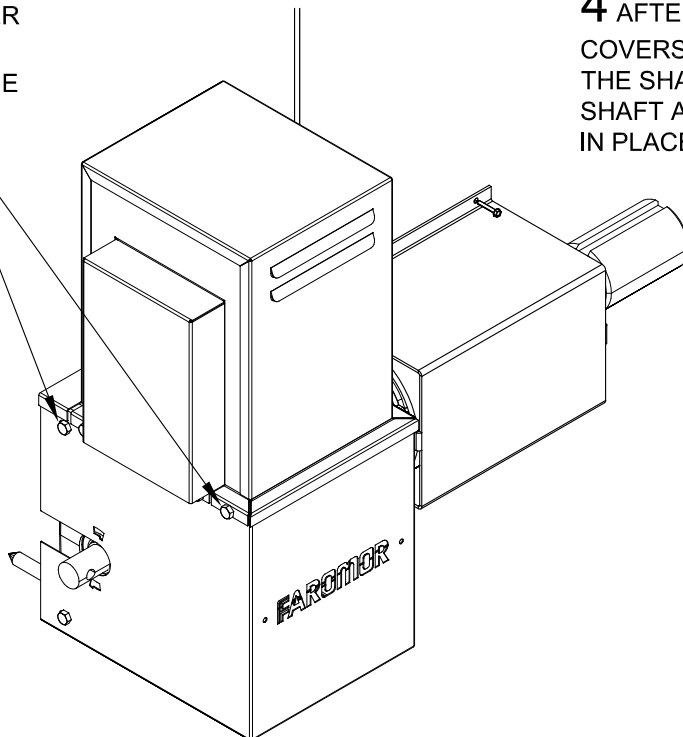
1 USE THE BRACKETS ALREADY INSTALLED TO MOUNT THE SS COVER.



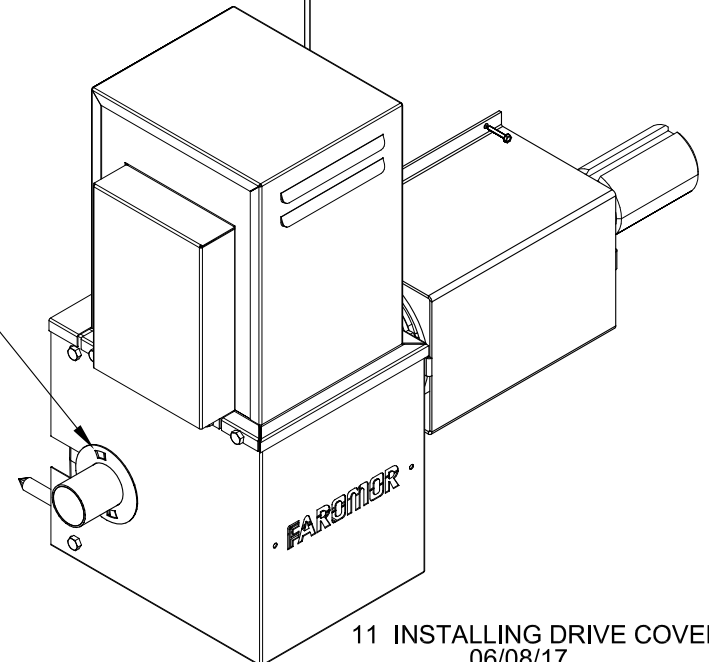
2 USING THE SUPPLIED BOLTS, (x4) FASTEN THE BOTTOM DRIVE COVER TO THE BRACKETS.

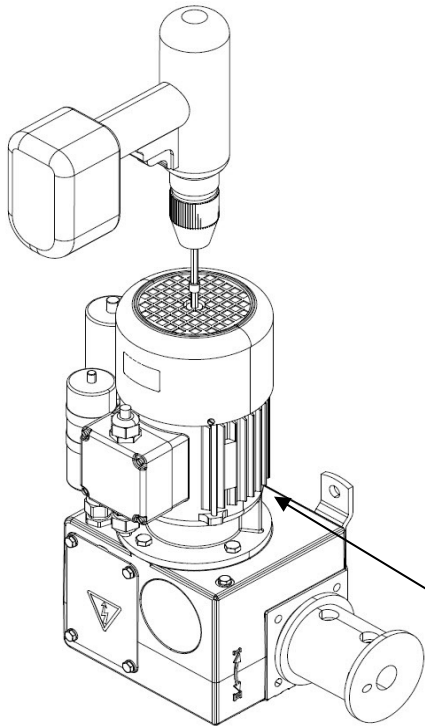


3 DROP THE TOP COVER OVER THE MOTOR AND BOLT THE COVER TO THE BOTTOM COVER



4 AFTER THE TOP AND BOTTOM COVERS ARE ATTACHED, SLIDE THE SHAFT GUARD OVER THE SHAFT AND TURN TO LOCK IN PLACE.





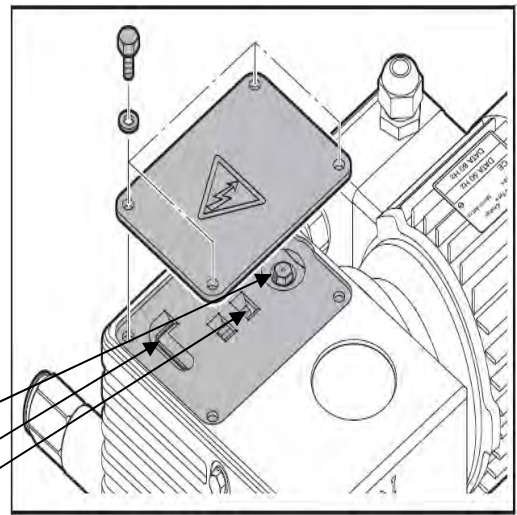
Limits should be set before power is applied to the unit.

Use a drill with a maximum Speed of 1400 rpm to operate the drive manually or in case of power failure.

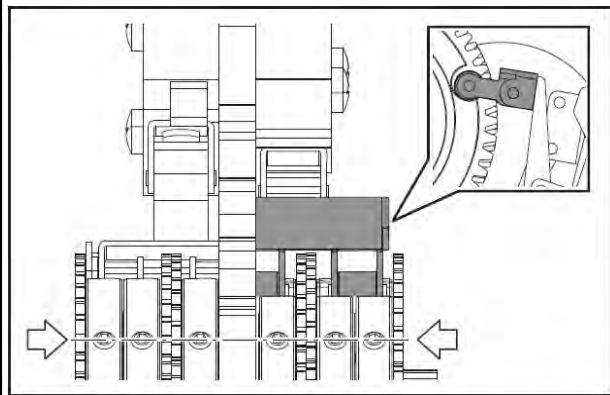
DO NOT USE AN IMPACT DRIVER
THIS WILL VOID WARRANTY

Remove cover, under the cover there is a rubber gasket that holds the following:

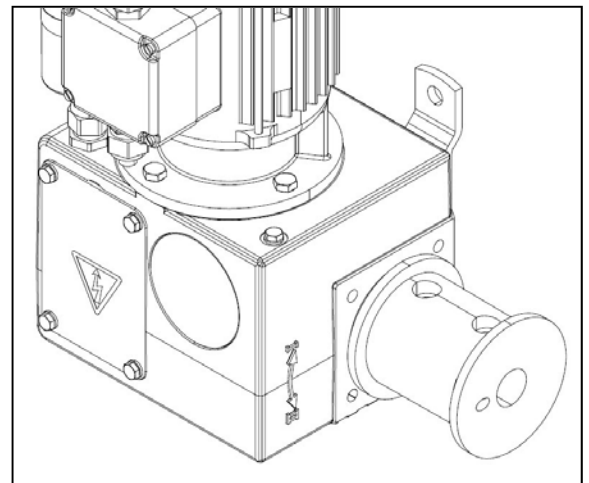
- 1 Air Vent
- 2 Allen Wrench
- 3 Drill Adapter



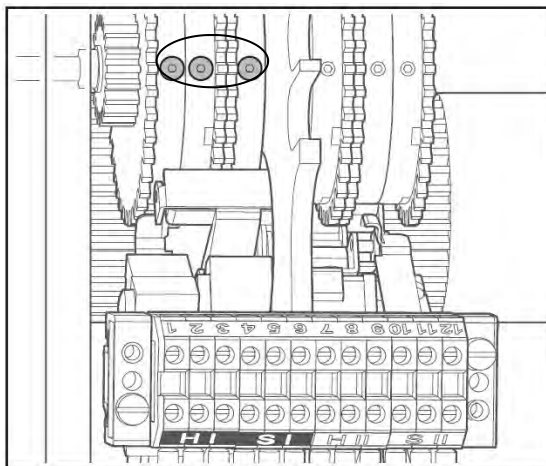
Remove Plug and Replace with air vent. (install air vent **here** on drives with this orientation.)



Before using drill to operate drive, check that all the Allen screws are loose and inline across as per above Drawing.

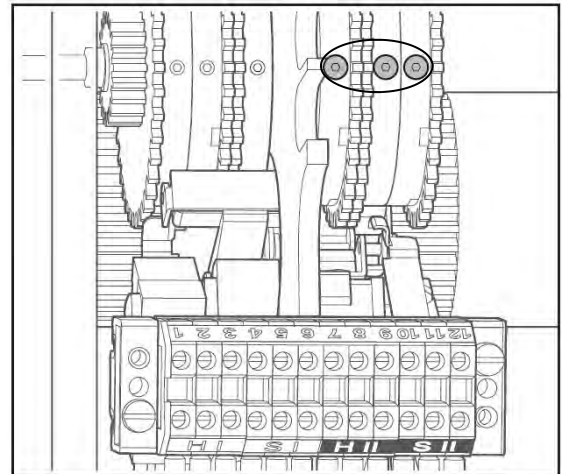


When operating drill, take note which direction the drum is turning as per marking on housing.



If drum is rotating in the **I** direction stop the drill when the curtain or panel reaches desired position and tighten all 3 screws as above. Do not over tighten screws.

NOTE: The drive will not operate with power supplied if limits are not set.

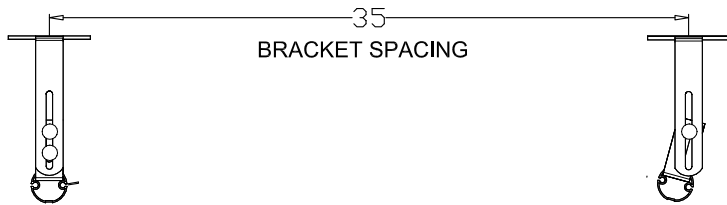
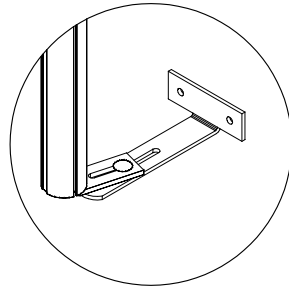


If drum is rotating in the **II** direction stop the drill when the curtain or panel reaches desired position and tighten all 3 screws as above. Do not over tighten screws.

POCKET BUILDING TIPS A

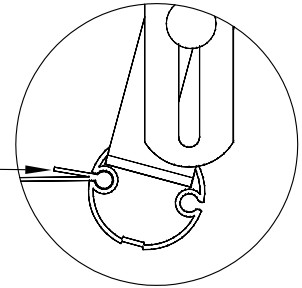
1

LEAVE ONE BOLT OUT OF BRACKET AND TURN BRACKET SLIGHTLY IN TOWARD CENTER OF POCKET



2

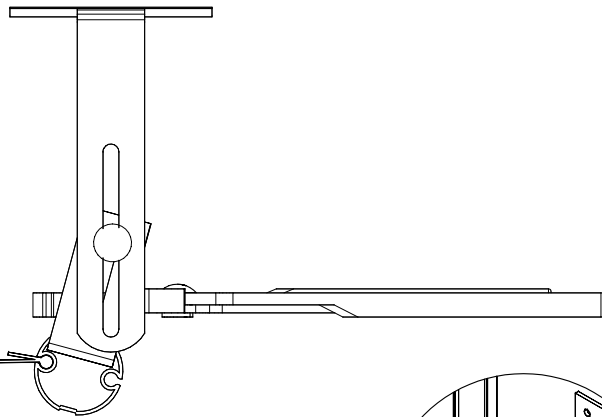
THE POCKET MATERIAL HAS A FLAP SEWN IN ON EACH SIDE. THIS FLAP GOES TO THE INSIDE.



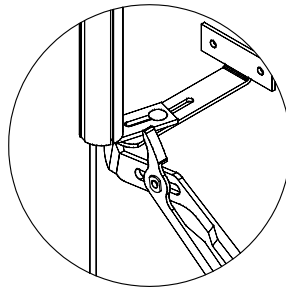
PULL POCKET MATERIAL IN SLOTS FROM THE BOTTOM UP. THE NARROWER DISTANCE MAKES IT EASIER



3

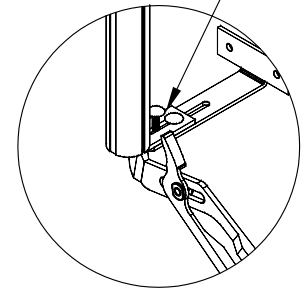
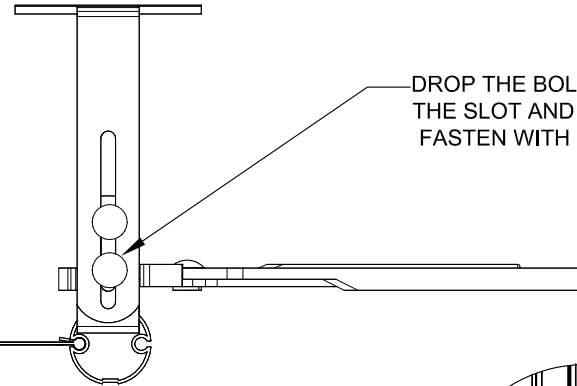


USING A PAIR OF PLIERS, SQUEEZE THE BRACKETS TOGETHER UNTIL THE SLOTS LINE UP.

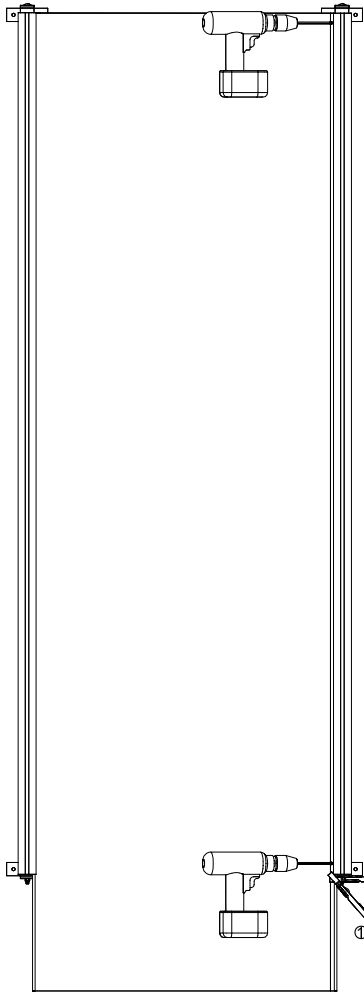


4

DROP THE BOLT INTO THE SLOT AND FASTEN WITH NUT.

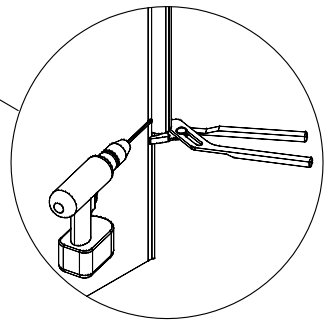


POCKET BUILDING TIPS B

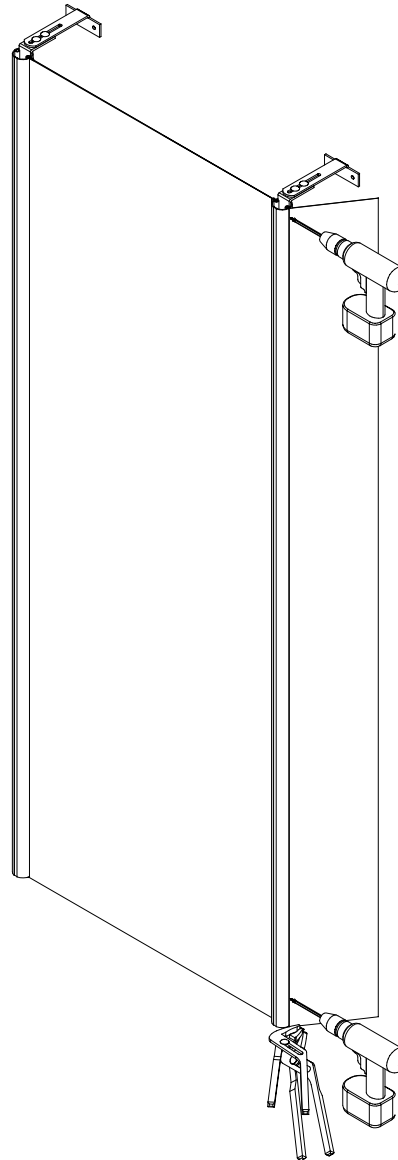


BEFORE YOU CUT THE POCKET MATERIAL TO LENGTH, ANCHOR THE MATERIAL AT THE TOP.

GRIP THE POCKET MATERIAL UNDER ALUMINUM PIPE WITH A PAIR OF VICE GRIPS OR PLIERS AT AN ANGLE ① AS SHOWN AND LIFT TO POSITION ②. THIS WILL STRETCH THE MATERIAL AND GET RID OF THE WRINKLES.

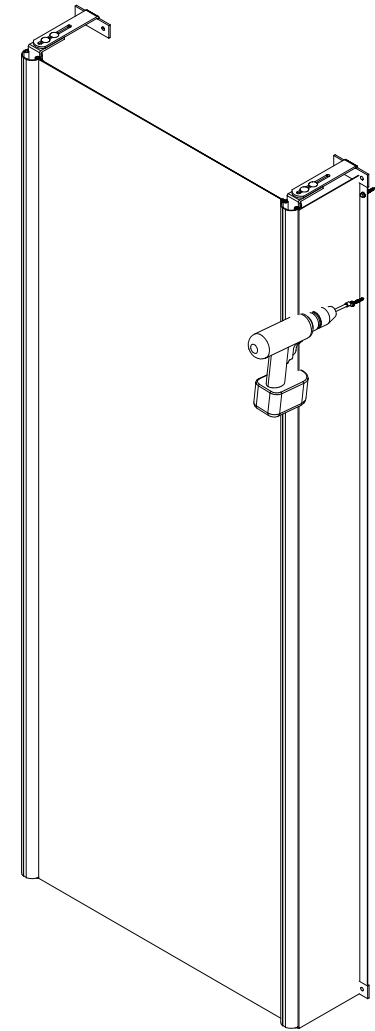


ONCE THE MATERIAL IS TIGHT, ANCHOR THE MATERIAL TO THE PIPE AND REPEAT PROCEDURE ON THE OTHER SIDE OF THE POCKET. WHEN BOTH SIDES ARE ANCHORED, USING A STRAIGHT EDGE, CUT THE POCKET MATERIAL TO THE PROPER LENGTH.

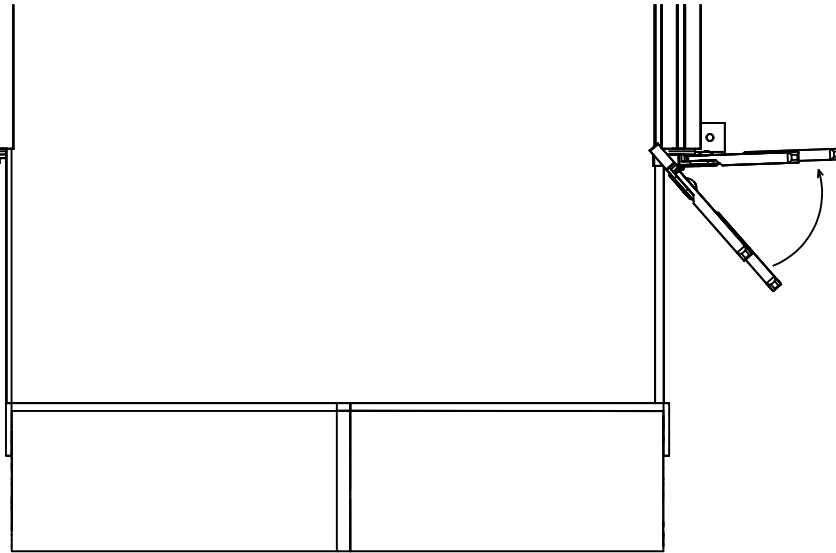
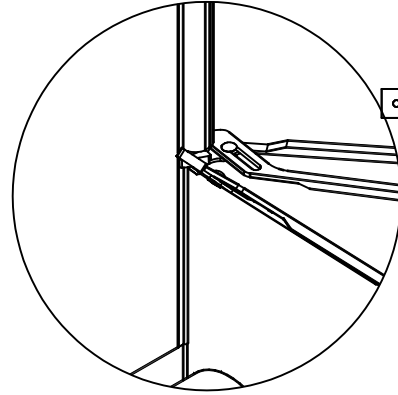


WHEN INSTALLING THE END FLAPS FOLLOW THE SAME PROCEDURE AS THE CURTAIN MATERIAL.

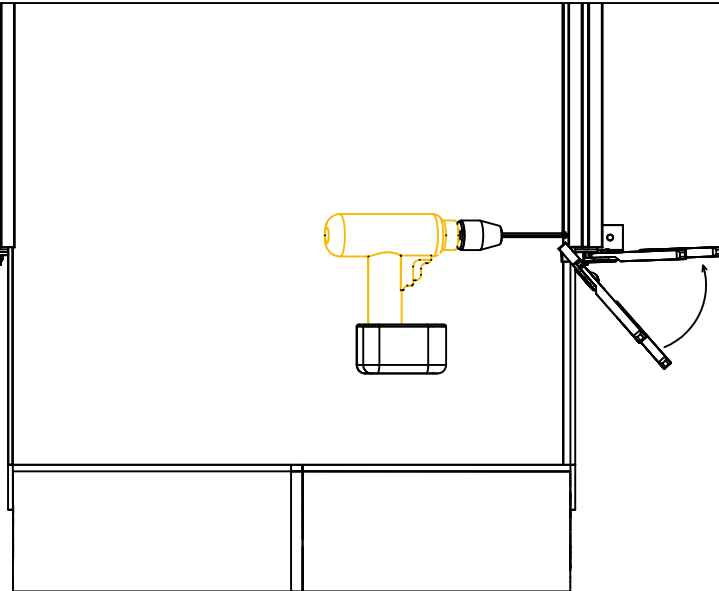
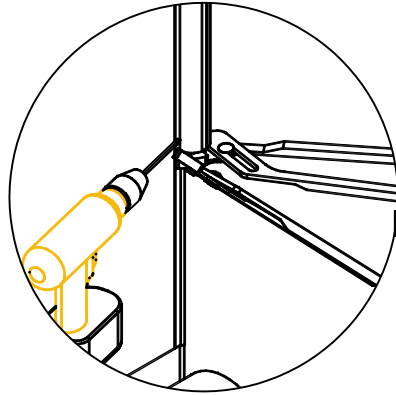
ANCHOR THE MATERIAL AT THE TOP AND USING THE PLIERS TIGHTEN THE MATERIAL AND ANCHOR THE THE MATERIAL AT THE BOTTOM AND TRIM TO FIT



WHEN FASTENING THE END FLAP TO THE WALL, DRILL THE TOP SCREW STRAIGHT. DRILL THE REST OF THE SCREWS AT A SLIGHT DOWNWARD ANGLE. THIS HELPS PULL THE NAILER STRIP DOWN TIGHT.



BEFORE YOU CUT THE POCKET MATERIAL TO LENGTH, ANCHOR THE MATERIAL AT THE TOP, THEN GRAB THE MATERIAL FROM THE SIDE WITH THE PLIERS AND PULL UP. THIS TIGHTENS THE MATERIAL AND TAKES ANY WRINKLES OUT.



ONCE THE MATERIAL IS TIGHT ANCHOR THE MATERIAL TO THE PIPE WITH A STAINLESS SCREW

REVISIONS:		
NO:	DATE:	REVISION:

FAROMOR
 SHAKESPEARE, ONTARIO, CANADA
 PH: (519)-625-8000
 PI: (519)-625-8866

DO NOT SCALE DRAWINGS

PROJECT:	PROJECT NAME
PROJECT STATUS & VERSION:	STAT&VER1 STAT&VER2
DRAWN BY:	PRINT DATE:
DRAFTSPERSON	Jun. 31, 2014
PAGE DESCRIPTION:	
SCALE:	
FILE: Pockets	
PAGE #:	A1

DRAWING TO SCALE SHOWN IN PLOT FOR TEXT SIZE!

CURTAIN SYSTEMS SAFETY PRECAUTIONS

NOTE: ALL INSTALLATION OF ELECTRICAL CONTROLS SHOULD BE DONE BY A QUALIFIED ELECTRICIAN.

General Operation

- Curtains should only be operated when the owner or other responsible persons are in the facility.
- Unauthorized persons or small children should not be near or have access to the outside or inside automatic/manual drive units as they may result in injury. Do not attempt to stop any automatic drive unit by hand while it is in operation.
- Do not attempt to adjust cables or pulleys while system is in operation.
- When making adjustments to automatic drive units, ensure that the override switch is in the “off” position so that the curtain cannot start while any work is being completed.

Protective Covering

- Ensure that all drive units (manual or automatic) have the covers installed where applicable.
- Electrical motors mounted on outside of building should be covered to prevent damage.

CURTAIN SYSTEMS MAINTENANCE

RAW/BRU/STD/STDS

- All cables (main and pull-ups) should be checked on a monthly basis to ensure proper operation. Over time, some cables may stretch causing uneven pull up of curtain system. Where necessary, loosen cable clamp, pull cable tight and re-fasten clamp when curtain is level.
- Ensure all cable clamps are tightly secured so it does not result in drop cables coming loose.
- Ensure curtains remain pulled tight from one end to the other. If curtain seems to be bunching or creasing, curtain may need to be tightened.
- Check all pulleys for excess wear on wheels that may cause cable to get caught.
- Periodically check over aluminum tubes to ensure they are connected tightly.
- Check end pockets to ensure all nuts and bolts are tightly secured.
- Tighten windropes as necessary to make sure there is no slack.
- For bottom roll-up systems, ensure aluminum track is clear of any debris and that gearbox wheels are turning smoothly.

PRC

- Ensure all mounting brackets are secured tightly to wall and to end of aluminum tube.
- Periodically check that center support rollers are rolling properly and not seized.
- If applicable, ensure valance does not get caught in roller tube.
- Check for wear on sidewall seals periodically if heavy cow traffic is an issue.

NOTE: FOR ANY SERVICE ON THERMOSTATS OR AUTOMATIC DRIVE UNITS, PLEASE CONTACT A FAROMOR SERVICE REPRESENTATIVE FOR ASSISTANCE. FOR ADJUSTMENT OF LIMIT SWITCHES SEE INSTALLATION MANUALS – ELECTRICAL SECTION.

General Cleaning:

- Use mild soap or detergents for cleaning any of our Faromor products – do not use solvents or aggressive cleaning agents.
- High pressure washers can be used on all products but maintain a minimum distance from product of approximately 1m so as not to put too much pressure on the material – especially fabric curtains.
- Ensure rolling curtains are in the fully closed position when washing so that excess water does not get caught in the rolls of the fabric – allow the water to run completely off the curtains.
- Avoid direct pressure on any curtain area that has an existing hole or ClearVu panel that has an existing crack – the added water pressure may cause more damage at those locations.
- **FOR DRIVE UNITS** – it is recommended to do a simple hand cleaning of the units with warm water and avoid excess water around the motor, wiring or vent plugs so no water will enter the gears or damage the wiring – this will cause premature failure.

NOTE: DO NOT USE HIGH PRESSURE WASHERS OR WATER OF ANY KIND TO CLEAN DRIVE UNITS OR THERMOSTATS – THIS WILL DAMAGE THE UNITS.