

RD - DIRECT DRIVE ROOF EXHAUSTERS

Sturdily constructed - ideal for industrial and commercial applications.

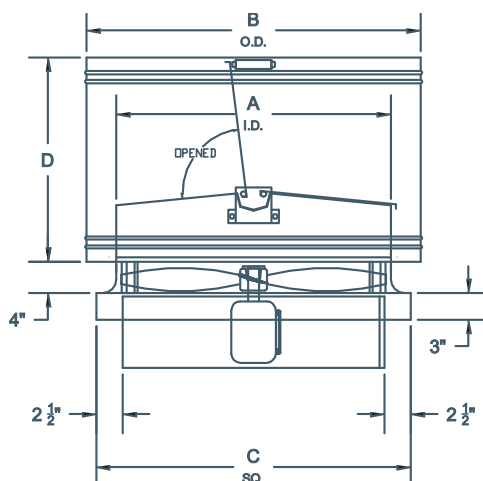


FEATURES

- Heavy duty galvanized blades.
- Galvanized steel wind-band and rain-proof butterfly dampers that rotate easily on brass bushings.
- TEFC, ball bearing motor is in the air stream, within the building, maximum ambient temperature of 40°C (104°F).
- Not recommended for dirty or dust laden applications.

DIMENSIONS

MODEL #	A I.D.	B O.D.	C SQ.	D
RD24	25"	31 1/2"	29 1/2"	19"
RD30	31"	37 1/2"	35 1/2"	22"
RD36	37"	43 1/2"	41 1/2"	25"
RD42	43"	49 1/2"	47 1/2"	27"
RD48	49"	55 1/2"	53 1/2"	30"



SPECIFICATIONS

BLADE DIAMETER	MODEL #		FAN RPM	H.P.	0" S.P.		1/8" S.P.		1/4" S.P.		3/8" S.P.		Min. CFM	dBA @ 10Ft.
	SINGLE PHASE	THREE PHASE			CFM	BHP	CFM	BHP	CFM	BHP	CFM	BHP		
	24"	RD24T10075C	RD24T30075C*	1140	3/4	6549	0.74	6017	0.78	5527	0.83	-	-	4700
24"	RD24T10100B	RD24T30100B*	1725	1	6761	0.89	6453	0.93	6128	1.00	5792	1.09	4700	81
	RD24T10300B	RD24T30300B*	1725	3	9909	2.57	9558	2.62	9207	2.68	8886	2.75	4700	84
30"	--	RD30T30150C*	1140	1.5	11600	1.31	10925	1.40	10193	1.49	9127	1.59	7300	79
	RD30T10500B	RD30T30500B*	1725	5	17552	4.53	17106	4.66	16661	4.80	16215	4.94	7300	90
36"	--	RD36T30200D*	860	2	16364	1.87	15172	1.99	13864	2.08	11597	2.15	10000	80
	--	RD36T30500C*	1140	5	21692	4.35	20793	4.52	19893	4.69	18903	4.80	10000	88
42"	--	RD42T30500C*	1140	5	23209	3.04	22619	3.29	21962	3.52	21019	3.70	14000	85
	--	RD42T30750C*	1140	7.5	32476	7.70	31490	7.70	30518	7.76	29586	8.02	14000	88
48"	--	RD48T30750D*	860	7.5	35654	5.93	33411	6.06	31857	6.34	30219	6.62	18000	89
	--	RD48T30750C*	1140	7.5	32564	4.95	31677	5.35	30688	5.68	29636	5.99	18000	92

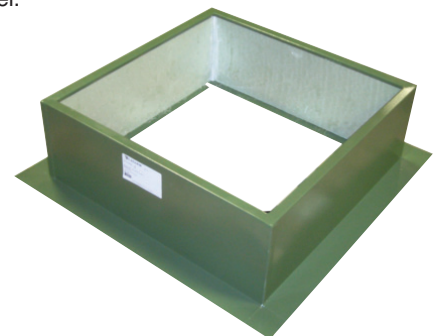
For three phase motors, substitute "*" with "M" for 230/460 volt (if 208V required please specify) or "P" for 575 volt BHP does not include drive losses
dBA ratings shown are measured at 0" static pressure and should be used as a guideline only

ACCESSORIES

RC ROOF CURB

- For Canarm Roof Exhaust fans.
- Sturdy powder coated, 16 gauge steel.
- 3" flanges
- 1" SM insulation
- Damper shelf

FAN SIZE	MODEL NUMBER
18"	RC18
24"	RC24
30"	RC30
36"	RC36
42"	RC42
48"	RC48
54"	RC54
60"	RC60



DISCONNECT SWITCHES

- Wire disconnect switches are available.
See Controls & Thermostats section for details.



Roof Exhausters are non-stock items and are non-cancelable and non-refundable without prior authorization.