

RB - BELT DRIVE ROOF EXHAUSTERS

Sturdily constructed belt drive roof exhausters ideal for industrial and commercial applications.

SPECIFICATIONS

BLADE DIAMETER	MODEL #		FAN RPM	H.P.	0" SP		1/8" SP		1/4" SP		3/8" SP		MIN. CFM	Dba @ 5 Ft.
	SINGLE PHASE	THREE PHASE			CFM	BHP	CFM	BHP	CFM	BHP	CFM	BHP		
24"	RB24T10075	RB24T30075*	1090	3/4	6261	0.65	5706	0.68	5135	0.73	-	-	4700	72
	RB24T10100	RB24T30100*	1190	1	6836	0.84	6327	0.88	5893	0.93	5035	0.97	4700	74
	RB24T10150	RB24T30150*	1370	1.5	7870	1.29	7428	1.33	7018	1.38	6565	1.44	4700	78
	RB24T10200	RB24T30200*	1510	2	8674	1.72	8273	1.77	7876	1.82	7549	1.89	4700	81
30"	RB30T10075	RB30T30075*	875	3/4	8903	0.59	8019	0.66	-	-	-	-	7300	71
	RB30T10100	RB30T30100*	965	1	9819	0.79	9022	0.87	7951	0.96	-	-	7300	73
	RB30T10150	RB30T30150*	1005	1.5	11244	1.19	10548	1.28	9775	1.37	8605	1.47	7300	78
	RB30T10200	RB30T30200*	1220	2	12414	1.60	11783	1.70	11136	1.80	10285	1.91	7300	82
36"	RB30T10300	RB30T30300*	1405	3	14296	2.45	13749	2.56	13201	2.67	12588	2.79	7300	85
	RB36T10100	RB36T30100*	660	1	12559	0.84	10953	0.93	-	-	-	-	10000	72
	RB36T10150	RB36T30150*	750	1.5	14271	1.24	12898	1.35	11091	1.41	-	-	10000	75
	RB36T10200	RB36T30200*	835	2	15888	1.71	14661	1.84	13302	1.91	10747	1.97	10000	78
42"	RB36T10300	RB36T30300*	940	3	17886	2.44	16796	2.58	15636	2.69	14293	2.76	10000	83
	RB42T10200	RB42T30200*	685	2	19514	1.67	17906	1.73	16111	1.89	13318	1.97	14000	78
	RB42T10300	RB42T30300*	780	3	22220	2.47	20794	2.50	19341	2.68	17561	2.87	14000	83
	RB42T10500	RB42T30500*	925	5	26351	4.11	25136	4.11	23977	4.29	22681	4.51	14000	88
48"	RB42T10750	RB42T30750*	1080	7.5	30767	6.55	29726	6.55	28710	6.65	27726	6.89	14000	91
	RB48T10200	RB48T30200*	565	2	23424	1.68	20606	1.82	-	-	-	-	18000	77
	RB48T10300	RB48T30300*	640	3	26533	2.45	23933	2.59	21489	2.80	18256	2.97	18000	
	RB48T10500	RB48T30500*	745	5	30886	3.86	28495	4.00	26703	4.24	24279	4.48	18000	86
54"	RB48T10750	RB48T30750*	870	7.5	36068	6.14	33835	6.27	32299	6.55	30723	6.83	18000	90
	RB54T10300	RB54T30300*	530	3	30080	2.46	27332	2.58	24060	2.82	-	-	23000	79
	RB54T10500	RB54T30500*	625	5	35472	4.03	33139	4.21	30532	4.41	27599	4.72	23000	84
	RB54T10750	RB54T30750*	720	7.5	40863	6.16	38809	6.44	36754	6.52	34382	6.84	23000	88
60"	RB54T11000	RB54T31000*	795	10	45120	8.29	43236	8.67	41484	8.67	39344	8.99	23000	91
	RB60T10500	RB60T30500*	520	5	42969	4.22	38510	4.50	34050	4.78	-	-	29000	72
	RB60T10750	RB60T30750*	595	7.5	49167	6.32	45269	6.64	41372	6.96	35070	7.02	29000	87
	RB60T11000	RB60T31000*	650	10	53172	8.24	50144	8.59	46576	8.94	43008	9.28	29000	89
	--	RB60T31500*	745	15	61562	12.41	58449	12.80	55336	13.20	52223	13.60	29000	92

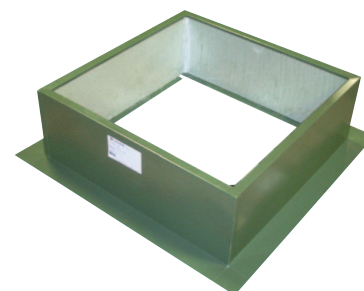
For three phase motors, substitute "*" with "M" for 230/460 volt (if 208V required please specify) or "P" for 575 volt
 BHP does not include drive losses
 dBA ratings shown are measured at 0" static pressure and should be used as a guideline only

ACCESSORIES

RC ROOF CURB

- For Canarm Roof Exhaust fans.
- Sturdy powder coated, 16 gauge steel.
- 3" flanges

- 1" SM insulation
- Damper shelf



FAN SIZE	MODEL NUMBER
18"	RC18
24"	RC24
30"	RC30
36"	RC36
42"	RC42
48"	RC48
54"	RC54
60"	RC60

DISCONNECT SWITCHES

- Wire disconnect switches are available.
See Controls & Thermostats section for details.

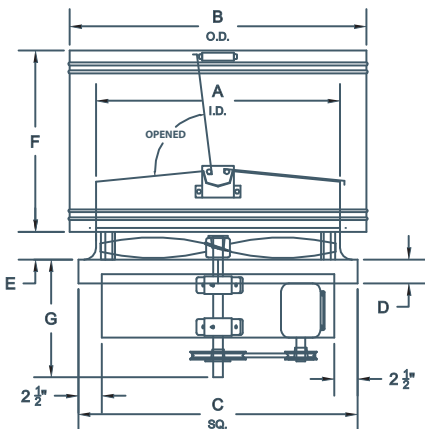


FEATURES

- TEFC, ball bearing motor, maximum ambient temperature 40° C (104° F).
- Heavy duty galvanized blades.
- Galvanized steel wind-band and rain-proof butterfly dampers that rotate easily on brass bushings.
- Cast iron pillow block bearings.
- Heavy duty pulleys and belts.
- Not recommended for dirty or dust laden applications.

DIMENSIONS

MODEL #	A Dia.	B Dia.	C Sq.	D	E	F	G (MAX.)
RB24	25"	31 1/2"	29 1/2"	3"	4"	19"	18 1/2"
RB30	31"	36 1/2"	35 1/2"	3"	4"	22"	18 1/2"
RB36	37"	43 1/2"	41 1/2"	3"	4"	25"	18 1/2"
RB42	43"	49 1/2"	47 1/2"	3"	4"	27"	18 1/2"
RB48	49"	55 1/2"	53 1/2"	3"	4"	30"	18 1/2"
RB54	55"	61 1/2"	59 1/2"	3"	4"	36"	21"
RB60	61"	70"	68"	2"	5"	42"	21"



Roof Exhausters are non-stock items and are non-cancelable and non-refundable without prior authorization.