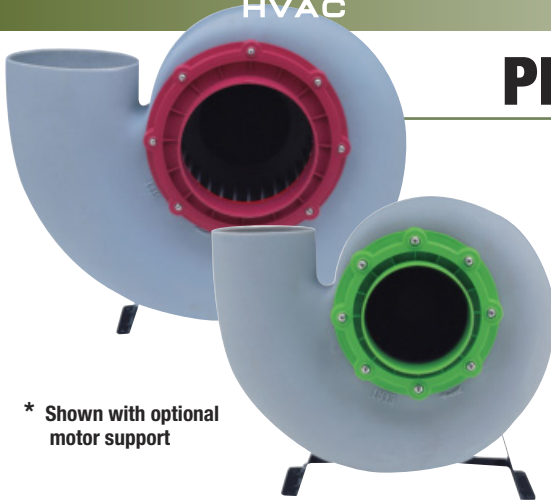


PLASTEC POLYPROPYLENE BLOWERS

The PLASTEC series polypropylene blowers are designed to work in highly corrosive air applications such as laboratory exhaust or the chemical industry. Housings are constructed of strong, high-density UV treated polypropylene for maximum corrosion resistance. Housings are made of a single piece to avoid leaks. Housings are reversible and rotatable to any of the 8 standard discharge positions.

FEATURES

- Housings constructed of strong, high density UV treated polypropylene for maximum corrosion resistance.
- One piece housing to avoid leakage.
- Housing is reversible and rotatable to any of the 8 standard discharge positions.
- Wheels are both electronically and dynamically balanced.
- Direct drive, heavy duty ball bearing motors for continuous duty.
- Totally enclosed, fan cooled motors (TEFC) or high efficient explosion proof motors.



* Shown with optional motor support

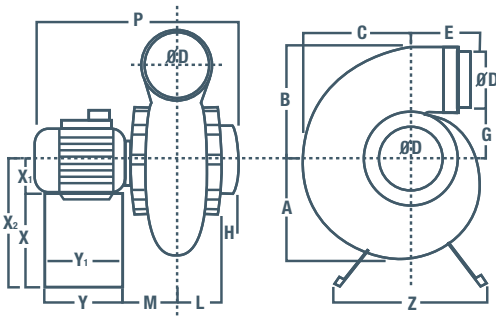
PERFORMANCE DATA

| | MODEL # | | INLET/OUTLET SIZE (OD) INCHES | RPM | H.P. | CFM | | | | | | | | |
|------------------------|--------------|--------------|-------------------------------|------|-------|-----|------|------|------|------|--------|------|--------|------|
| | SINGLE PHASE | THREE PHASE | | | | 0" | 1/4" | 1/2" | 3/4" | 1" | 1 1/2" | 2" | 2 1/2" | 4" |
| TEFC | | | | | | | | | | | | | | |
| 15 | P15T10025C | P15T30025C-* | 4.92/4.92 | 1140 | 1/4 | 200 | 50 | - | - | - | - | - | - | - |
| | P15T10033B | P15T30033B-* | 4.92/4.92 | 1725 | 1/3 | - | 270 | 170 | - | - | - | - | - | - |
| | P15T10050A | P15T30050A-* | 4.92/4.92 | 3450 | 1/2 | - | - | - | 530 | 510 | 430 | 325 | - | - |
| 20 | P20T10025C | P20T30025C-* | 6.30/6.62 | 1140 | 1/4 | - | 500 | 350 | - | - | - | - | - | - |
| | P20T10033B | P20T30033B-* | 6.30/6.62 | 1725 | 1/3 | - | - | 800 | 700 | 600 | 100 | - | - | - |
| | P20T10150A | P20T30150A-* | 6.30/6.62 | 3450 | 1 1/2 | - | - | - | - | - | - | - | 1150 | 800 |
| 25 | P25T10033C | P25T30033C-* | 7.82/8.62 | 1140 | 1/3 | - | 1000 | 900 | 600 | - | - | - | - | - |
| | P25T10075B | P25T30075B-* | 7.82/8.62 | 1725 | 3/4 | - | - | - | 1500 | 1400 | 1100 | 500 | - | - |
| | - | P25T30300A-* | 7.82/8.62 | 3450 | 3 | - | - | - | - | - | - | - | - | 2250 |
| 30 | P30T10075C | P30T30075C-* | 9.84/10.75 | 1140 | 3/4 | - | 2000 | 1800 | 1600 | 1400 | - | - | - | - |
| | P30T10200B | P30T30200B-* | 9.84/10.75 | 1725 | 2 | - | - | - | - | - | 2700 | 2350 | 2050 | - |
| 35 | - | P35T30200D | 12.75/12.75 | 850 | 2 | - | - | 3250 | 3000 | 2500 | - | - | - | - |
| | - | P35T30500C | 12.75/12.75 | 1140 | 5 | - | - | - | - | 4100 | 3750 | 3000 | - | - |
| | - | P35T31000B | 12.75/12.75 | 1750 | 10 | - | - | - | - | - | - | - | - | 3500 |
| EXPLOSION PROOF | | | | | | | | | | | | | | |
| 15 | P15X10033B | P15X30033B-* | 4.92/4.92 | 1725 | 1/3 | - | 270 | 170 | - | - | - | - | - | - |
| | P15X10050A | P15X30050A-* | 4.92/4.92 | 3450 | 1/2 | - | - | - | 530 | 510 | 430 | 325 | - | - |
| 20 | P20X10033B | P20X30033B-* | 6.30/6.62 | 1725 | 1/3 | - | - | 800 | 700 | 600 | 100 | - | - | - |
| | P20X10150A | P20X30150A-* | 6.30/6.62 | 3450 | 1 1/2 | - | - | - | - | - | - | - | 1150 | 800 |
| 25 | P25X10075B | P25X30075B-* | 7.82/8.62 | 1725 | 3/4 | - | - | - | 1500 | 1400 | 1100 | 500 | - | - |
| | - | P25X30300A-* | 7.82/8.62 | 3450 | 3 | - | - | - | - | - | - | - | - | 2250 |
| 30 | P30X10075C | P30X30075C-* | 9.84/10.75 | 1140 | 3/4 | - | 2000 | 1800 | 1600 | 1400 | - | - | - | - |
| | P30X10200B | P30X30200B-* | 9.84/10.75 | 1725 | 2 | - | - | - | - | - | 2700 | 2350 | 2050 | - |



* For three phase motors, substitute "*" with "M" for 208-230/460V, or with "P" for 575V (except on P35 models which are only available in 208-230/460V)

DIMENSIONS * Shown with optional motor support



| DIMENSION | MODEL | RPMs | | |
|-----------|-------|-----------|----------|-----------|
| | | 1150 | 1725 | 3450 |
| X1 | P15 | 2 13/16" | 2 13/16" | 2 13/16" |
| X2 | | 12 1/4" | 12 1/4" | 12 1/4" |
| X1 | P20 | 2 13/16" | 2 13/16" | 3 1/8" |
| X2 | | 12 1/4" | 12 1/4" | 12 5/8" |
| X1 | P25 | 2 13/16" | 3 1/8" | 3 9/16" |
| X2 | | 12 1/4" | 12 5/8" | 15 3/8" |
| P | P30 | 18 7/8" | 20 1/2" | 22 13/16" |
| X1 | | 3 1/8" | 3 9/16" | 22 7/16" |
| X2 | P35 | 17 11/16" | 18 1/8" | - |
| P | | 22 7/16" | 23 5/8" | - |
| X1 | P35 | 4.41" | 4.41" | - |
| X2 | | 22.83" | 22.83" | - |
| P | | 28.50" | 28.5" | - |

| MODEL | A | B | C | D | E | G | H | L | M | P | Y | Y1 | Z | X |
|-------|----------|----------|-----------|---------|----------|---------|--------|---------|----------|---------|---------|----------|---------|---------|
| P15 | 6 1/16" | 9 7/8" | 8" | 4 7/8" | 5 11/16" | 4 3/4" | 1 1/5" | 2 3/4" | 3 1/8" | 14 1/4" | 7 1/16" | 6 5/16" | 13 3/8" | 9 7/16" |
| P20 | 8 3/16" | 12 1/16" | 9 7/16" | 6 5/8" | 6 3/16" | 5 1/2" | 1 1/3" | 3 3/8" | 3 11/16" | 15 1/3" | 7 1/16" | 6 5/16" | 13 3/8" | 9 7/16" |
| P25 | 9 3/4" | 14 3/4" | 12 3/16" | 8 5/8" | 6 5/8" | 6 1/8" | 1 1/3" | 3 3/4" | 4 1/8" | - | 7 1/16" | 6 5/16" | 16 1/2" | - |
| P30 | 11 3/16" | 18 3/16" | 14 11/16" | 10 3/4" | 7" | 7 5/16" | 1 1/3" | 4 5/16" | 4 3/4" | - | 9 7/16" | 8 11/16" | 18 1/8" | - |
| P35 | 14.57" | 22.44" | 17.72" | 12.75" | 5.12" | 10.04" | 2.36" | 5.91" | 6.69" | 28.50" | 13.78" | 12.36" | 23.62" | 18.43" |

ACCESSORIES

- Weather hood enclosed pedestal for weather protection
- Roof unit kit
- Roof curbs
- Dampers
- Motor supports



Plastec products are special non-standard items and are not-returnable and cannot be cancelled.