



PW SERIES

Direct Drive Pressure Blower

For high static applications.
Ideal for moving non-abrasive particles such as dust or fume exhaust.

FEATURES

- Wheels are constructed of heavy cast aluminum with straight radial blades.
- Wheels are self cleaning, dynamically balanced and designed for efficient operations.
- Welded 16 gauge steel housings and motor bases.
- TEFC motors are standard.
- Comes as clockwise rotation, bottom horizontal discharge (can be rotated at 45°+ increments).

PERFORMANCE SPECIFICATIONS

| MODEL | | | H.P. | MOTOR FRAME | RPM | CFM @ STATIC PRESSURE | | | | | | | | | | | | | | | | dBA @ 5 FT |
|--------------|-------------------------|-----------------|------|-------------|------|-----------------------|------|------|--------|------|--------|------|--------|------|------|------|------|------|------|------|-----|------------|
| SINGLE PHASE | THREE PHASE 208/230/460 | THREE PHASE 575 | | | | 1/4" | 1/2" | 1" | 1 1/2" | 2" | 2 1/2" | 3" | 3 1/2" | 4" | 5" | 6" | 7" | 8" | 9" | 10" | 11" | |
| PW-8S | PW-8M | PW-8P | 1/3 | 56 | 3600 | 283 | 274 | 256 | 237 | 216 | 192 | 165 | 129 | 70 | -- | -- | -- | -- | -- | -- | -- | 74 |
| PW-9S | PW-9M | PW-9P | 3/4 | 56 | 3600 | 475 | 465 | 445 | 423 | 399 | 374 | 346 | 316 | 282 | 195 | -- | -- | -- | -- | -- | -- | 77 |
| PW-11S | PW-11M | PW-11P | 1.5 | 56 | 3600 | 786 | 772 | 746 | 719 | 692 | 664 | 635 | 606 | 575 | 508 | 431 | 329 | -- | -- | -- | -- | 84 |
| PW-12S | PW-12M | PW-12P | 3 | 182T | 3600 | 1185 | 1171 | 1145 | 1117 | 1090 | 1062 | 1033 | 1004 | 974 | 911 | 842 | 765 | 672 | 549 | -- | -- | 90 |
| PW-14S | PW-14M | PW-14P | 5 | 182T | 3600 | -- | -- | -- | -- | -- | -- | -- | -- | -- | 1685 | 1587 | 1482 | 1367 | 1236 | 1081 | 874 | 474 |
| PW-14S-7.5** | PW-14M-7.5** | PW-14P-7.5** | 7.5 | 213 | 3600 | 2100 | 2070 | 2037 | 1995 | 1952 | 1909 | 1866 | 1822 | 1777 | 1685 | 1587 | 1482 | 1367 | 1236 | 1081 | 874 | 474 |

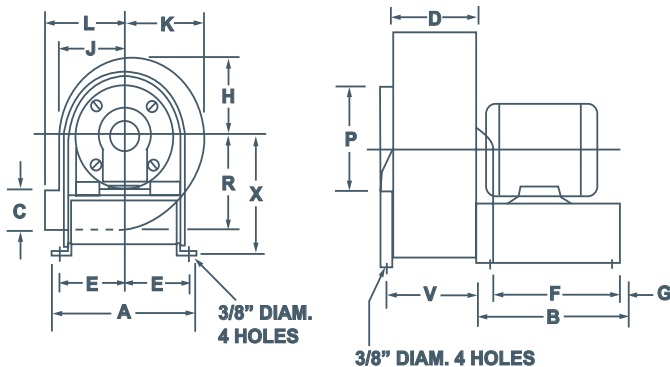
| MODEL PW: EXPLOSION PROOF DIRECT DRIVE PRESSURE BLOWERS | | | | | | | | | | | | | | | | | | | | | | | |
|---------------------------------------------------------|-------------------------|-----------------|------|-------------|------|------|------|------|--------|------|--------|------|--------|------|------|------|------|------|------|------|-----|-----|------------|
| SINGLE PHASE | THREE PHASE 208/230/460 | THREE PHASE 575 | H.P. | MOTOR FRAME | RPM | 1/4" | 1/2" | 1" | 1 1/2" | 2" | 2 1/2" | 3" | 3 1/2" | 4" | 5" | 6" | 7" | 8" | 9" | 10" | 11" | 12" | dBA @ 5 FT |
| PW-8SX | PW-8MX | -- | 1/3 | 56 | 3600 | 283 | 274 | 256 | 237 | 216 | 192 | 165 | 129 | 70 | -- | -- | -- | -- | -- | -- | -- | -- | 74 |
| PW-9SX | PW-9MX | -- | 3/4 | 56 | 3600 | 475 | 465 | 445 | 423 | 399 | 374 | 346 | 316 | 282 | 195 | -- | -- | -- | -- | -- | -- | -- | 77 |
| PW-11SX | -- | -- | 1.5 | 56 | 3600 | 786 | 772 | 746 | 719 | 692 | 664 | 635 | 606 | 575 | 508 | 431 | 329 | -- | -- | -- | -- | 84 | |
| -- | PW-11MX** | PW-12PX** | 1.5 | 143T | 3600 | 786 | 772 | 746 | 719 | 692 | 664 | 635 | 606 | 575 | 508 | 431 | 329 | -- | -- | -- | -- | 84 | |
| PW-12SX | PW-12MX | PW-12PX | 3 | 182T | 3600 | 1185 | 1171 | 1145 | 1117 | 1090 | 1062 | 1033 | 1004 | 974 | 911 | 842 | 765 | 672 | 549 | -- | -- | 90 | |
| PW-14SX | PW-14MX | PW-14PX | 5 | 182T | 3600 | -- | -- | -- | -- | -- | -- | -- | -- | -- | 1685 | 1587 | 1482 | 1367 | 1236 | 1081 | 874 | 474 | |
| PW-14SX-7.5** | PW-14MX-7.5** | PW-14PX-7.5** | 7.5 | 213 | 3600 | 2100 | 2070 | 2037 | 1995 | 1952 | 1909 | 1866 | 1822 | 1777 | 1685 | 1587 | 1482 | 1367 | 1236 | 1081 | 874 | 474 | |

* Fan should not be run at static pressure less than shown in above table, motor overload will result. dBA ratings shown are measured at 0" static pressure, and should be used as a guideline only.

** Special order models.

DIMENSIONS

| BLOWER | WHEEL | A | B | C | D | E | F | G | H | J | K | L | P | R | X | V |
|--------|------------------|---------|---------|--------|--------|--------|--------|------|---------|--------|---------|--------|----|---------|---------|--------|
| PW-8 | 7 3/4" x 2 1/4" | 11" | 8" | 3" | 3" | 5" | 7" | 1/2" | 5 3/8" | 4 7/8" | 5 7/8" | 5 7/8" | 4" | 6 5/8" | 9" | -- |
| PW-9 | 9" x 2 3/4" | 12 1/8" | 8" | 3 1/2" | 3 1/2" | 5 5/8" | 7" | 1/2" | 6 3/8" | 5 3/4" | 6 7/8" | 6 3/4" | 5" | 7 1/2" | 9 7/8" | -- |
| PW-11 | 10 5/8" x 3" | 14 3/4" | 9" | 4" | 3 1/2" | 6 7/8" | 7 1/2" | 3/4" | 7 1/4" | 6 1/2" | 8" | 7 5/8" | 6" | 8 5/8" | 11 3/4" | -- |
| PW-12 | 12 1/2" x 3" | 17" | 8" | 5" | 4" | 8" | 6 1/2" | 3/4" | 8 1/4" | 7 1/2" | 9" | 9 5/8" | 7" | 10" | 10 5/8" | -- |
| PW-14 | 13 1/2" x 4 3/8" | 17 5/8" | 11 1/4" | 7 1/8" | 5 3/4" | 8" | 9 3/4" | 1" | 10 1/2" | 9 5/8" | 11 3/8" | 11" | 8" | 11 1/2" | 12 5/8" | 7 1/4" |



RELATED PRODUCTS



KE SERIES
Direct Drive Radial Blade Blowers



D SERIES
Direct Drive Forward Curved Blowers