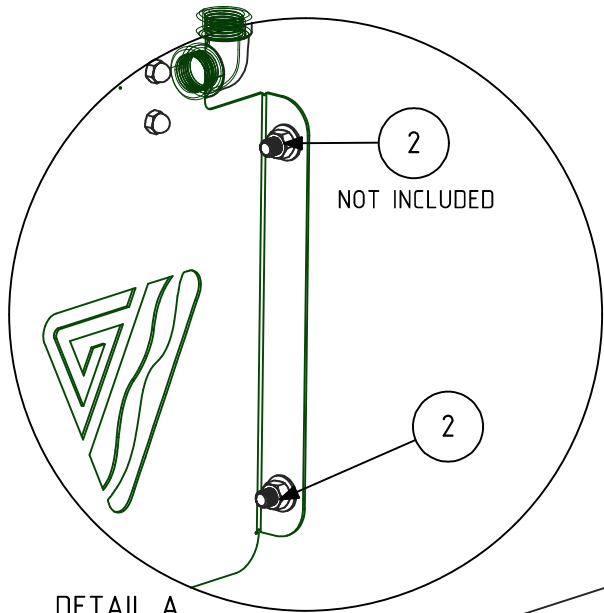
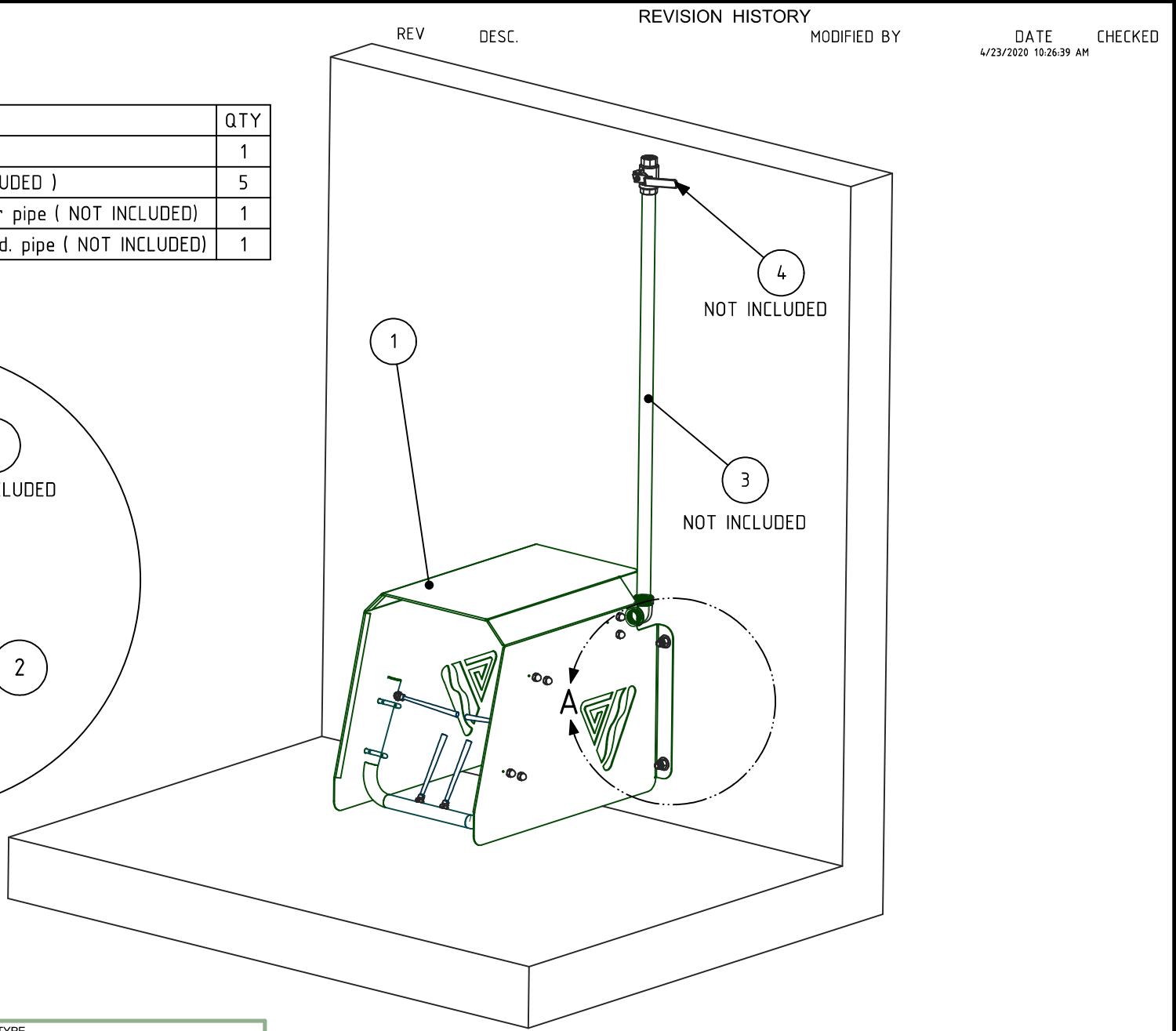


NOTES:

ITEM NO.	PART NUMBER	QTY
1	1710000	1
2	3/8" ANCHOR (NOT INCLUDED)	5
3	1/2" SCHD 10 SS drinker pipe (NOT INCLUDED)	1
4	on and off valve 1-2 std. pipe (NOT INCLUDED)	1



DETAIL A
SCALE 1:4



REV	DESC.	REVISION HISTORY	MODIFIED BY	DATE	CHECKED
				4/23/2020 10:26:39 AM	



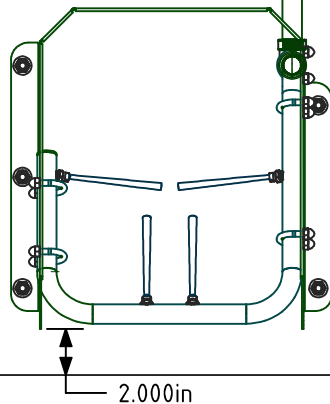
THIRD ANGLE PROJECTION	MATERIAL TYPE	INIT	DATE	PART DESC	
	Unknown Material	M.M	4/23/2020 8:00:05 AM	1710000 BOOT WASH INSTALLATION INSTRUCTIONS	
	FINISH			DWG NO.	
	CURRENT REVISION			INSTRUCTIONS 1710000	
				STD. TOLERANCES: [+1/16" / -1/16"]	Unless Otherwise Specified All Drawing Units are In INCHES

INSTALLATION INSTRUCTIONS

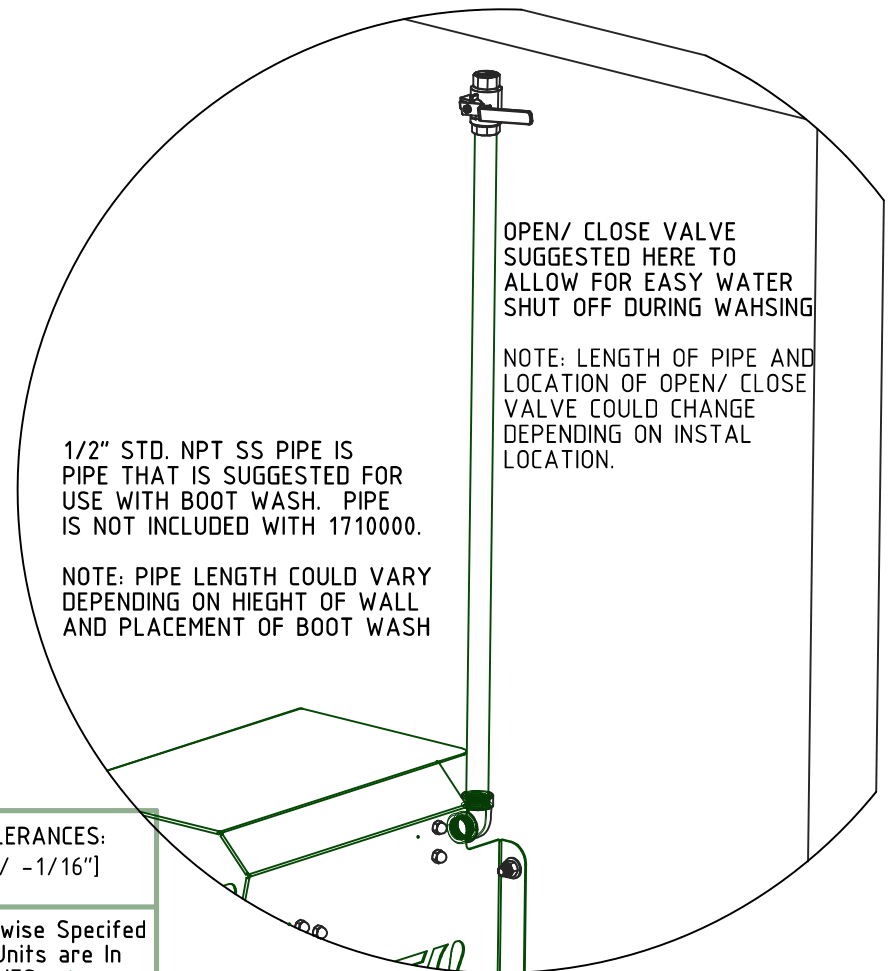
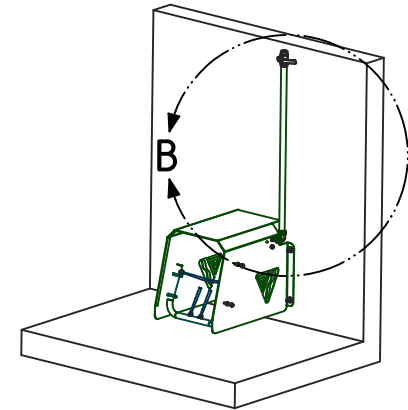
- 1 --FIND LOCATION FOR BOOT WASH
- 2 -- LOCATE BETWEEN 1" - 2" OFF FLOOR
- 3 -- ANCHOR TO LOCATION USING AT LEAST 4 X 3/8" ANCHORS (NOT INCLUDED)
- 4 -- ATTACH WATER PIPE/ LINE TO ELBOW WATER PIPE (NOT INCLUDED)
- 5 -- TIGHTEN OPEN/ CLOSE VALVE OR DESIRED SHUT OFF TO WATER PIPE/ LINE (OPEN/ CLOSE VALVE NOT INCLUDED)
- 6 -- TUEN ON AND ENJOY

SUGGESTED ANCHOR FOR 1710000 CANARM BOOT EASH ARE 3/8". LENGTH MAY VARY ON LOCATION AND/ OR INSTALLERS PREFERENCE.

NOTE: HOLES IN BOOT WASH ARE 7/16" DIA. THIS WILL ALLOW GOOD FIT FOR 3/8" ANCHORS RECOMMENDED TO USE AT LEAST 4 ANCHORS WHEN NSTALLING BOOT WASH IN DESIRED LOCATION



Note: Recommended 1" -2" below Boot Wash to allow materials to wash away



1/2" STD. NPT SS PIPE IS PIPE THAT IS SUGGESTED FOR USE WITH BOOT WASH. PIPE IS NOT INCLUDED WITH 1710000.

NOTE: PIPE LENGTH COULD VARY DEPENDING ON HIEGHT OF WALL AND PLACEMENT OF BOOT WASH

OPEN/ CLOSE VALVE SUGGESTED HERE TO ALLOW FOR EASY WATER SHUT OFF DURING WAHSING

NOTE: LENGTH OF PIPE AND LOCATION OF OPEN/ CLOSE VALVE COULD CHANGE DEPENDING ON INSTAL LOCATION.



PART DESC
1710000 BOOT WASH INSTALLATION INSTRUCTIONS

DWG NO.
INSTRUCTIONS 1710000Pg2

STD. TOLERANCES:
[+1/16" / -1/16"]

Unless Otherwise Specified
All Drawing Units are In
INCHES