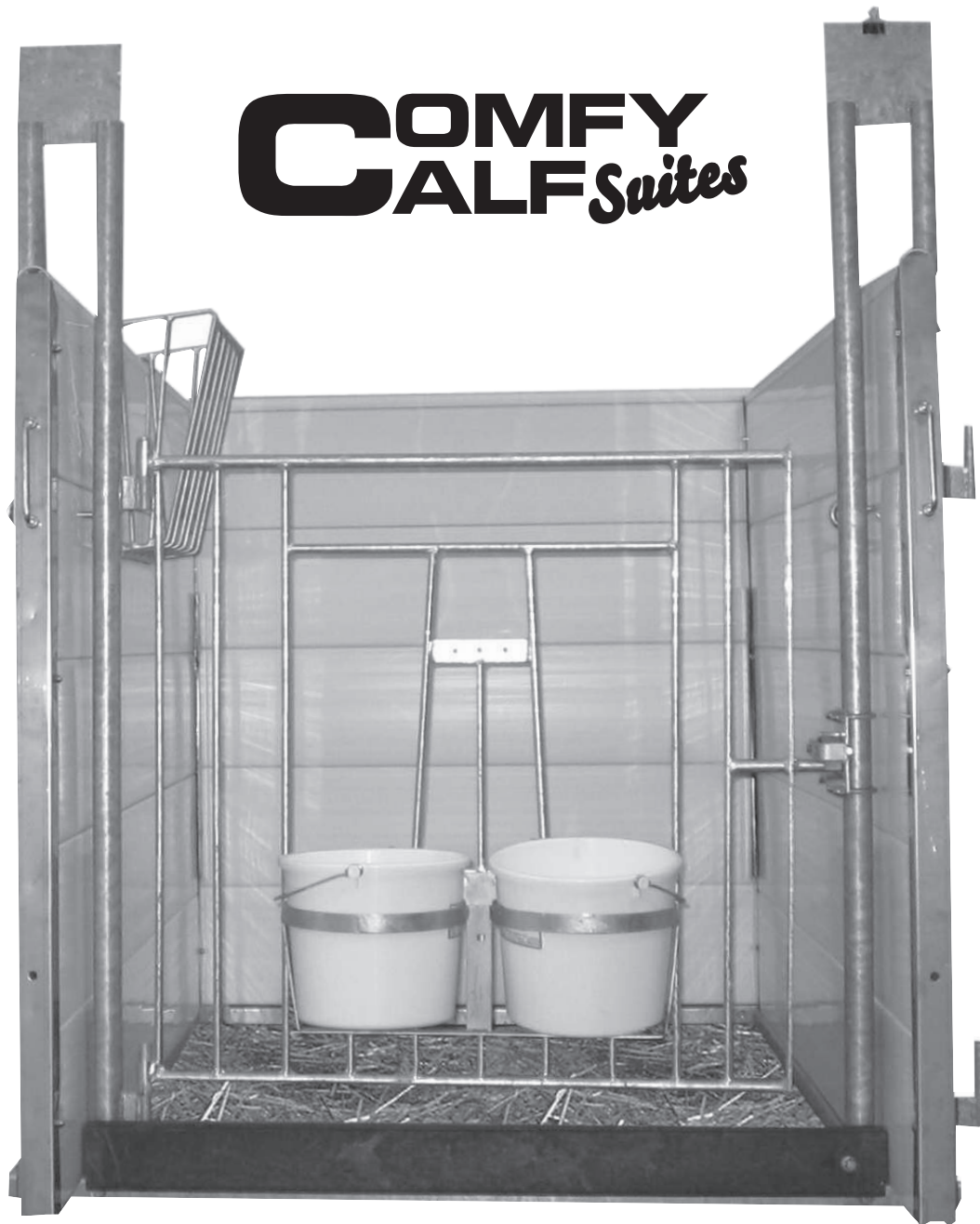


POST STYLE COMFY CALF SUITES

INSTALLATION INSTRUCTIONS



Installation or product problems? Call 1-800-260-5314

COMFY CALF SUITES - POST STYLE

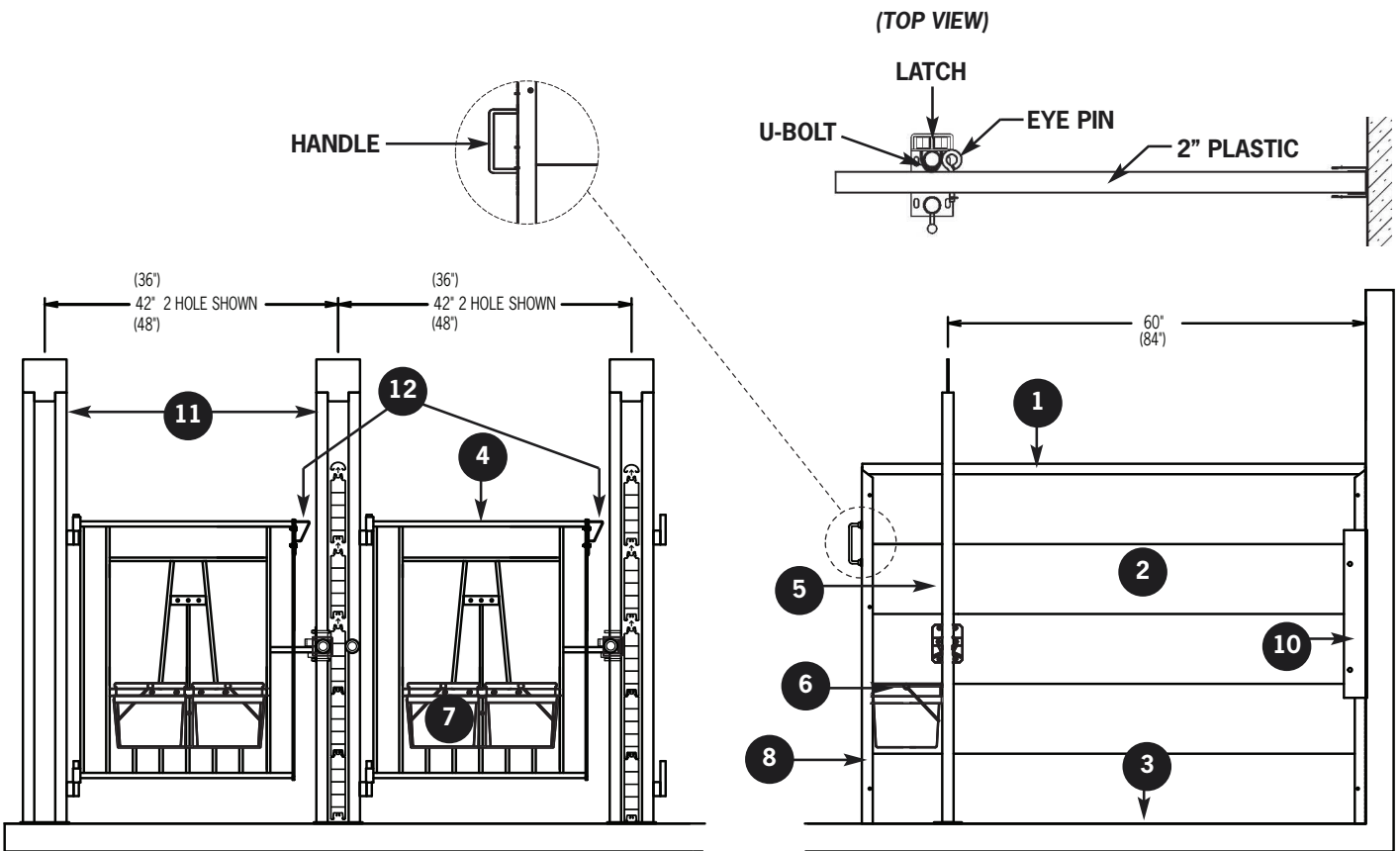


Congratulations on the purchase of Comfy Calf Suites! These instructions will guide you through the installation process and identify parts and accessories so please read through them and save them for future reference.

ILLUS.	DESCRIPTION	PART #
1	PLASTIC CAP 1.5" X 72" (OR 96" LG)	2013130-72 / 2013130-96
2	PLASTIC PLANK 10" X 72" LG (OR 96" LG)	2013030-72 / 2013030-96
3	BOTTOM PLUG / PLANK 20' LG (cut to size)	2013220
4	GALVANIZED 24" FRONT (2 HOLE) (36" OC PEN)	1241136
	GALVANIZED 30" FRONT (2 HOLE) (42" OC PEN)	1241142
	GALVANIZED 36" FRONT (2 HOLE) (48" OC PEN)	1241148
5	GALVANIZED 2-WAY CALF LATCH	1240100
6	GALVANIZED DBL PAIL HOLDER ONLY	1241210A
7	PLASTIC CALF PAIL (WHITE)	1235033
8	STAINLESS STEEL CALF CHANNEL (20 GA) 41" HIGH	1240041
	51" HIGH	1240051
9	HDW PKG (POST SUITE) INCL U-BOLT, EYE PIN & HANDLE	1240100HDW
10	STAINLESS STEEL 24" MOUNT CHANNEL / CALF SUITE	1240226
11	60" GALVANIZED DOUBLE CALF SUITE POST	1240200
12	CALF SUITE BOLT ON GAP FILLER	1240222

ILLUSTRATION 1

9 1240100HDW HDW PKG (EYE PIN, U-BOLT & HANDLE)



INSTALLATION:

Step #1: Install handle to front channel (2 flange nuts on outside and 2 nylon locks on inside of channel). ***TIGHTEN***. Snap planks together for dividers, install front and back channels, then snap on top cap. Drill through plastic with a 1/4" bit, then fasten channels with 1/4" x 2 1/2" hex bolts.

Step #2: Anchor front posts to floor and 24" SS channels to the back wall at EXACTLY 48"OC, 42"OC OR 36"OC to match your fronts.

🔧 TIP: When mounting posts, note which way your gate will swing out for animal flow.

Note: With our 2-way latch, you can always open gate into the pen.

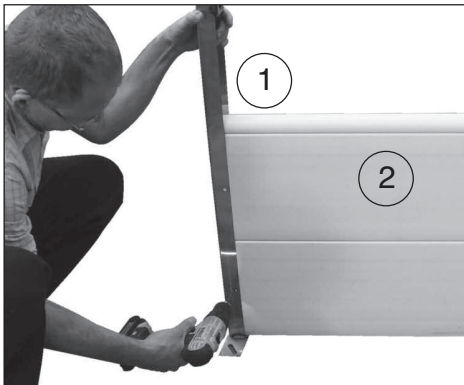
Step #3: Slide divider panel between double post and into the back channel. Drill 1/2" hole just behind the post and insert eye pin to keep the divider in place.

Step #4: Install front gate and block post up so it is level, then attach latch to post with 2 U-bolts.

Step #5: Install pail holder **with 2 washers per bolt between front and pail holder.**

Step #6: Install **OPTIONAL** accessories (shown on back page).

VENTED BACK WALL INSTALLATION:

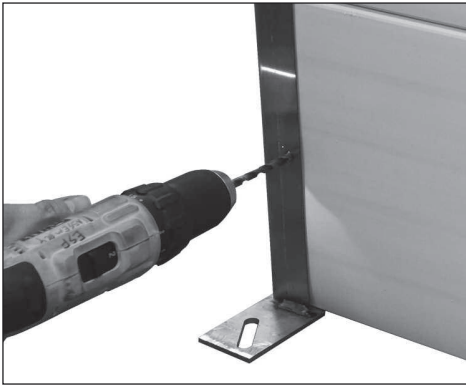


Step #1: Lag one channel post where you are starting your back wall.

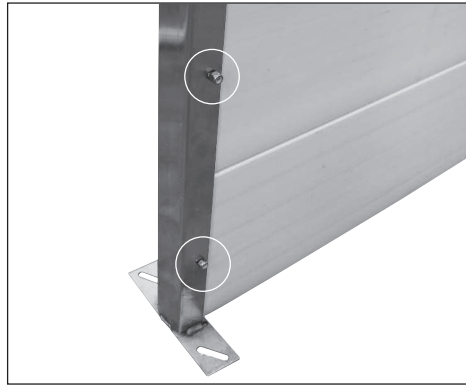
Step #2: Snap together two back wall planks. Snap top cap on the planks.



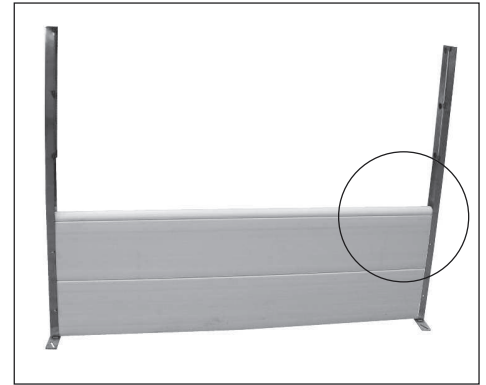
Step #3: Slide the planks into the channel post



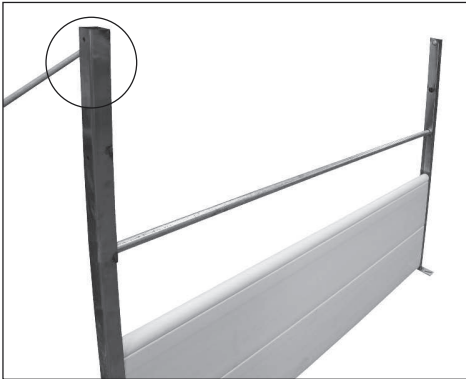
Step #4: Drill into plastic planks with ¼" bit. (Make sure to start the hole coming from the front and the back. Don't try to go all the way through. You may not line the drill up with the hole on the backside.)



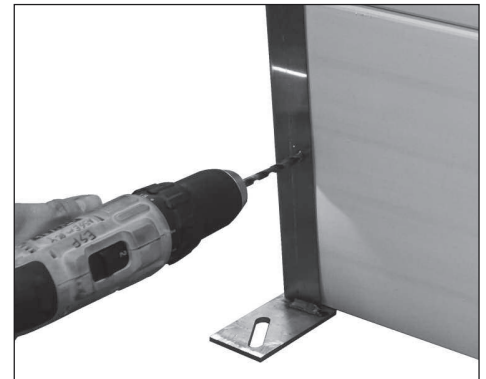
Step #5: Fasten ¼" x 2 - 2½" hex bolt and tighten.



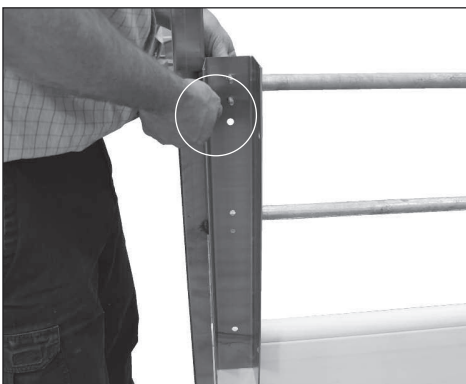
Step #6: Slide the other channel post on to the other end of the plank. (Do not fasten to post yet.)



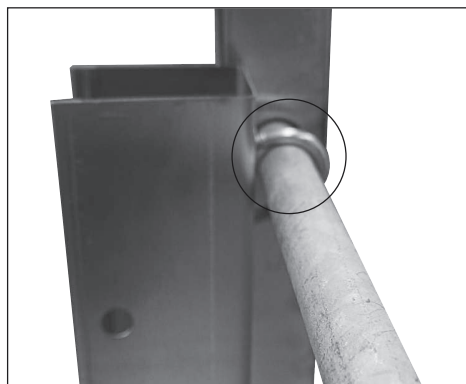
Step #7: Slide the rails in the holes at the tip of the posts.



Step #8: Repeat step #4 and #5 and drill holes and fasten with bolts.



Step #9: Attach receiving channel with U-Bolts. (The channel should be attached to the bottom rails and on the inside of the calf suite)



FINISHED VENTED BACK WALL



COMFY CALF SUITES - POST STYLE PARTS:

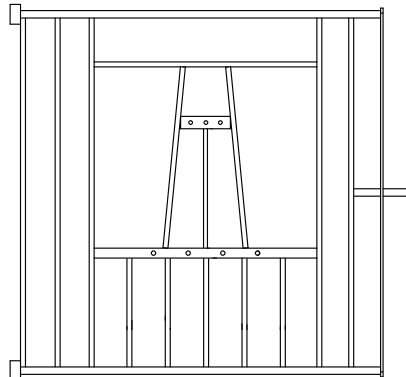
1241120

CALF HEAD HOLE REDUCER



1240200

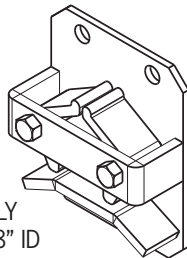
GALV 60" DBL POST BOLT DOWN



1241136 36" OC CALF FRONT (24" LG)

1241142 42" OC CALF FRONT (30" LG)

1241148 48" OC CALF FRONT (36" LG)



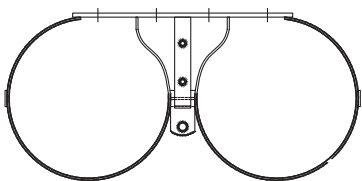
1240100

GALV 2-WAY LATCH ONLY
20-620 - U-BOLTS 1 5/8" ID
BOX/20
(U-BOLTS NOT INCLUDED)



1240041 41" SS CHANNEL

1240051 51" SS CHANNEL



1241210A PAIL HOLDER ONLY

1240100HDW

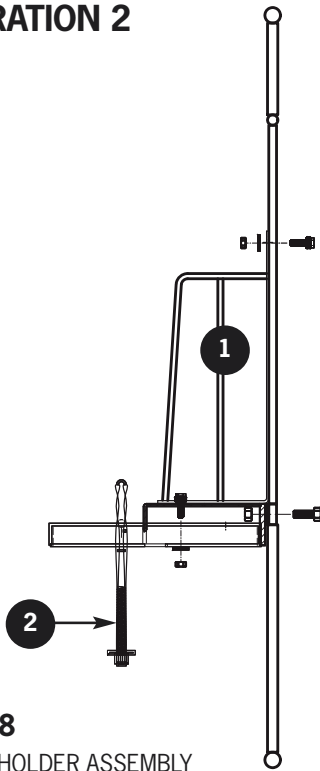
HDW PKG/POST SUITE INCL HANDLE

PART NUMBER	DESCRIPTION	QTY
2060892	CARD HOLDER CLIP	1
1240250A	HANDLE ONLY 5" I.D. X 2.125" LG	1
20-6A	U-BOLT ONLY 1/75" ID X 2 9/16" L	2
1240221	ULTRASEAL EYEBOLT 3 3/4" LG	1
HP4	HAIR PIN (HP4)	1
BOL3 / 8-11 / 4H	+3/8 - 16 X 1 1/4 HEXBOLT US	2
NUT3 / 8FL	3/8" - 16 FLANGE NUT ULTRASEAL	2
NUT3 / 8LN	3/8 - 16 N.I. LOCK NUT, US	9
WAS3 / 8	+3/8" FLAT WASHER, US	4
BOL1 / 4 - 21 / 2HSS	1 / 4 - 20 X 2 - 1 / 2 SS HEXBOLT	6
NUT1 / 4LSS	1 / 4 - 20 N.I. LOCK NUT SS 304	7

PART NUMBER	DESCRIPTION
2013030-72	10" HIGH PLANK X 72" LG
2013030-96	10" HIGH PLANK X 96" LG
2013130-72	TOP CAP X 72" LG
2013130-96	TOP CAP X 96" LG
CALFCARD-50	PKG OF 50 CALF SUITE RECORD CARDS
1235033	PLASTIC CALF PAIL (WHITE)

OPTIONAL ACCESSORIES

ILLUSTRATION 2

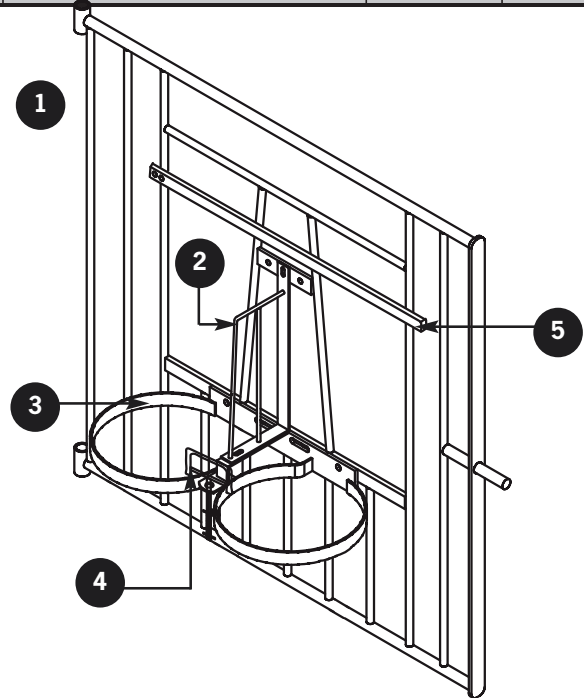


1241148
CALF PAIL HOLDER ASSEMBLY

ILLUS.	DESCRIPTION	PART #
1	1 PC STAINLESS STEEL PAIL DIVIDER + HDW	1241280SS-ND
2	CALF PAIL HOLD DOWN ASSEMBLY	1241011

ILLUSTRATION 3

ILLUS.	DESCRIPTION	PART #	QTY
1	SW CALF FRONT	1241148	1
2	1 PC STAINLESS STEEL PAIL DIVIDER + HDW	1241280SS-ND	1
3	GALV. DBL PAIL HOLDER ONLY	1240210A	1
4	CALF PAIL HOLD DOWN ASSEMBLY	1241011	1
5	CALF HOLE REDUCER	1241120	1



ONE PIECE STAINLESS PAIL DIVIDER (1241280SS-ND) (Item #1 in above diagram)

- Step #1:** Insert bolts through holes in pail holder.
Step #2: Fasten nut and washer.

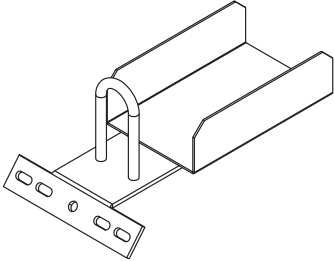
SS CALF PAIL HOLD DOWN (NO ANGLE) (1241011) (Item #4 in above diagram)

- Step #1:** Remove nut washer and spring.
Step #2: Install hold down through hole in pail holder.
Step #3: Install spring, washer and nut.

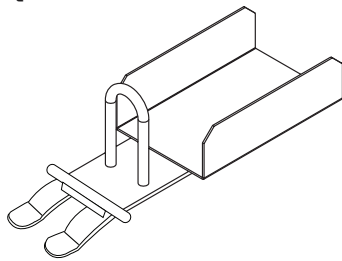


REMEMBER TO PUT TWO WASHER SPACERS BETWEEN PAIL HOLDER & FRONT

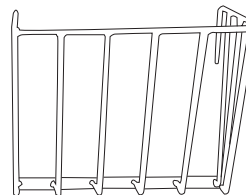
1240235-3
BOLT ON BOTTLE HOLDER



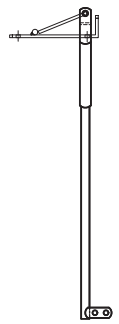
1241235
QUICK INSTALL BOTTLE HOLDER



1235030
HAY FEEDER



1240245PK
MANUAL LOCK



Please visit www.comfycalfsuites.com for more information on our Comfy Calf Suites and www.canarm.com for detailed information on all our Dairy and Ventilation products.

CANARM LTD. - Corporate Office
2157 Parkedale Ave., Brockville, ON
Canada K6V 5V6
Tel: (613) 342-5424 Fax: 1-800-263-4598
E-Mail: agsales@canarm.ca

www.canarm.com

CANARM LTD. - USA Warehouse
808 Commerce Park Drive
Ogdensburg, New York, USA 13669
Tel: 1-800-267-4427 Fax: 1-800-263-4598

www.comfycalfsuites.com

Arthur Manufacturing Facility
#7686 Concession 16, RR 4 Arthur, ON
Canada NOG 1A0
Tel: (519) 848-3910 Fax: (519) 848-3948
E-Mail: agsales@canarm.ca