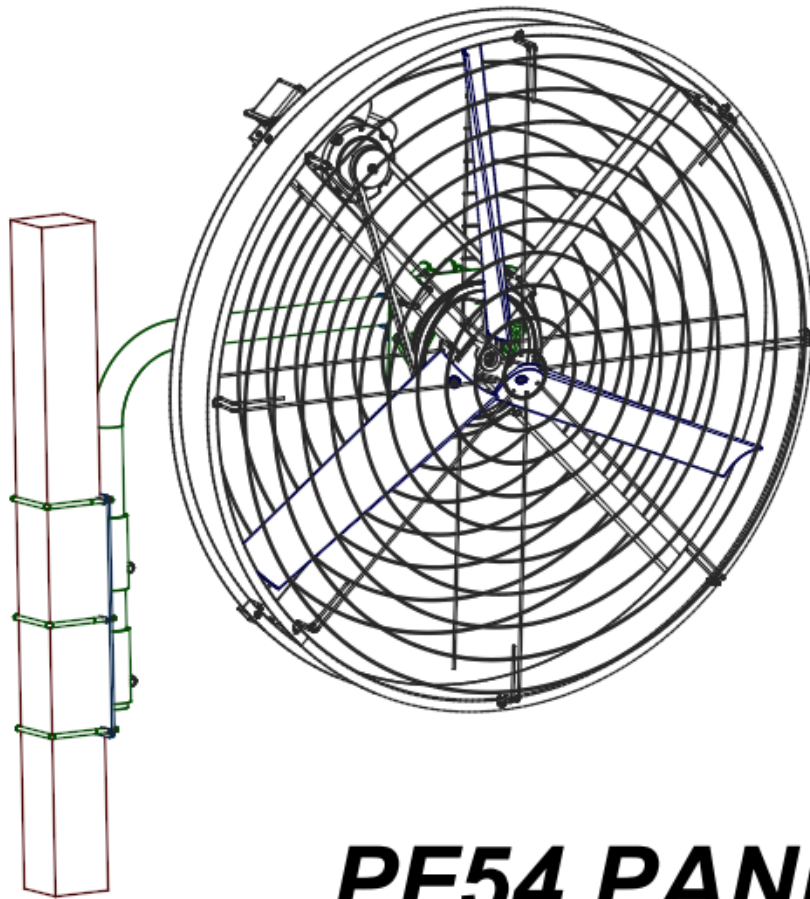


NOTES:

REV	DESC.	REVISION HISTORY		DATE	CHECKED
		MODIFIED BY		6/12/2023 11:20:02 AM	



### INSTRUCTIONS FOR :

- PLASTIC BLADE ASSEMBLY
- STAINLESS BLADE ASSEMBLY
- 3" TO 6" POST SELECTION
- SINGLE FAN HANGING ORIENTATION
- TILTING AND PIVOTING

# PF54 PANEL FAN SGL POST MOUNT ASSEMBLY/ INSTALLATION INSTRUCTIONS



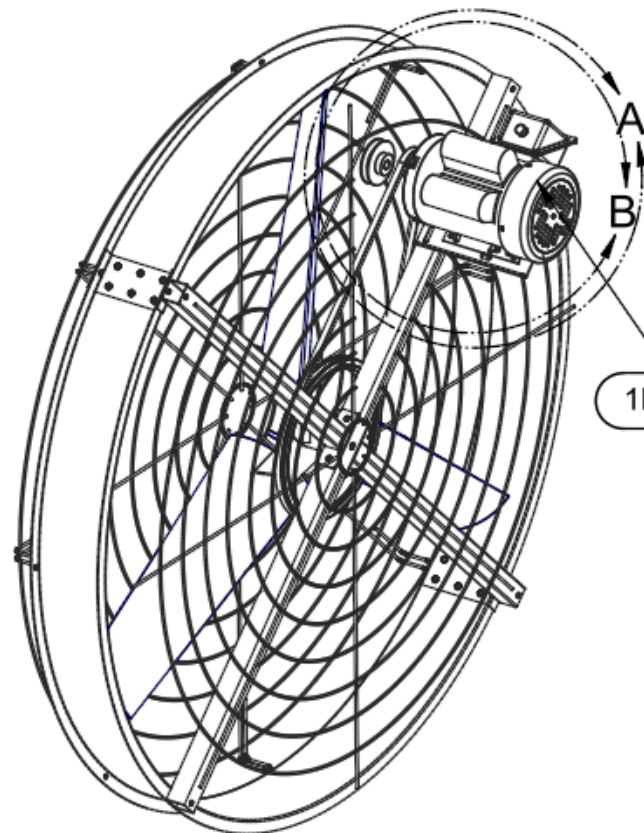
THIRD ANGLE PROJECTION	MATERIAL TYPE	Unknown Material	INIT	DATE	PART DESC	
	FINISH	PF54 PANEL FAN	CANARM	2/4/2020 2:37:03 PM	INSTALLATION INSTRUCTION PF54 FAN SGL POST MOUNTING KIT	
	CURRENT REVISION				DWG NO.	STD. TOLERANCES:
					PF54-P-INSTALLATION	[+1/16" / -1/16"]

## STEP ONE -- BELT AND PULLEY INSTALLATION

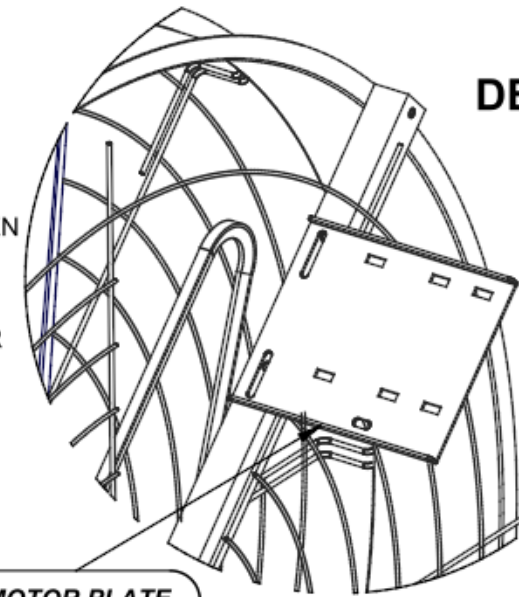
**1A --** ATTACH SUPPLIED MOTOR MOUNT PLATE TO SQUARE FAN ARM. THIS WILL BE LOCATED IN THE OPENING IN THE FLAT REAR GUARD. LOCATE AND TIGHTEN AS SHOWN IN **DETAIL A**. **\*\* HARDWARE SUPPLIED \*\***

**1B --** MOUNT MOTOR AS SHOWN IN **DETAIL B**. **\*\* HARDWARE SUPPLIED\*\***. DO NOT TIGHTEN AS MOTOR WILL HAVE TO SLIDE AWAY FROM FAN CENTER TO TIGHTEN BELT

**1C --** SLIDE BELT MOTOR PULLEY 8500435 ONTO MOTOR SHAFT AND LINE UP WITH LARGE BLADE WHEEL BY PUTTING BELT ON BOTH. TIGHTEN TO SHAFT AND SLIDE MOTOR AWAY FROM CENTER OF FAN TO TIGHTEN BELT. TIGHTEN ALL BOLTS SECURLY.  
**REF DETAIL B**

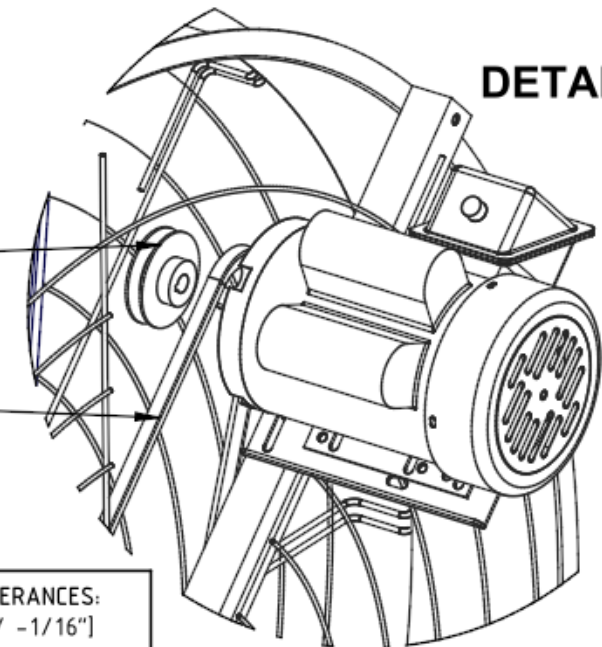


1M115-C



**DETAIL A**

PF54-P-MOTOR PLATE



**DETAIL B**

8500435

PF54-BELT

**STEP 2 -- FAN MOUNT PLATE PF54-P-MNTPL**

**2A --** PF54-P-UBOLTS ARE LOCATED COMING UP FROM INSIDE OF FAN TO ATTACH MOUNT PLATE. KEEP UBOLTS INSIDE 3RD RING OF FAN GUARD. REF - **DETAIL C**

**2B --** LOCATE MOUNT PLATE WITH HOLE IN CENTER OF PLATE AND 1/2" LOCKNUT HOLDING BLADE WHEEL ASSEMBLY TO FAN. THIS WILL FIT OVER NUT AND BE ABLE TO HAVE UBOLTS COME UP.

REF -- **DEATAIL D.**

**NOTE: PLACE FAN FACE DOWN FOR EASY INSTALLATION**

**2C --** AFTER UBOLTS ARE TIGHT TAKE BOL3/8-3 1/2HSS AND ASSEMBLE AS PER **DETAIL D.**

DO NOT OVER TIGHTEN AS THIS IS JUST A HANGING BOLT. JUST INTO THE NYLON IN LOCKNUT WILL BE GOOD ENOUGH.

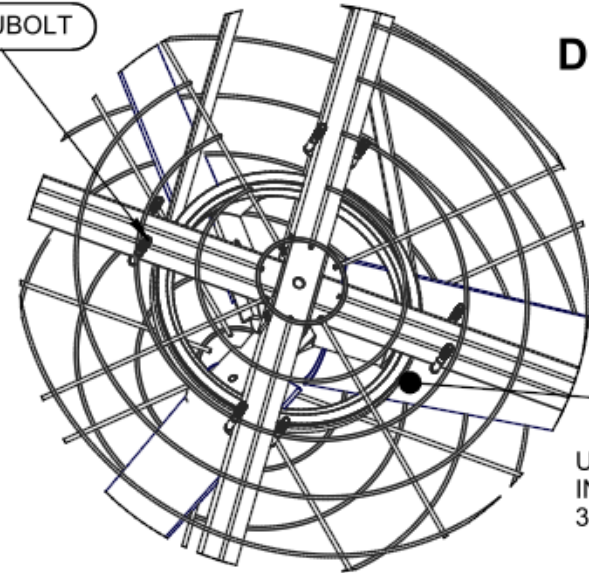
**NOTE:**

**FOLLOW ORIENTATION IF DESIRED MOTOR LOCATION IS AS SEEN BELOW**

**THIS TAKES PLACE ON THE SAME SIDE AS THE MOTOR STICKING OUT**

PF54-P-UBOLT

**DETAIL C**



UBOLTS STAY INSIDE THIS RING 3RD OPENING

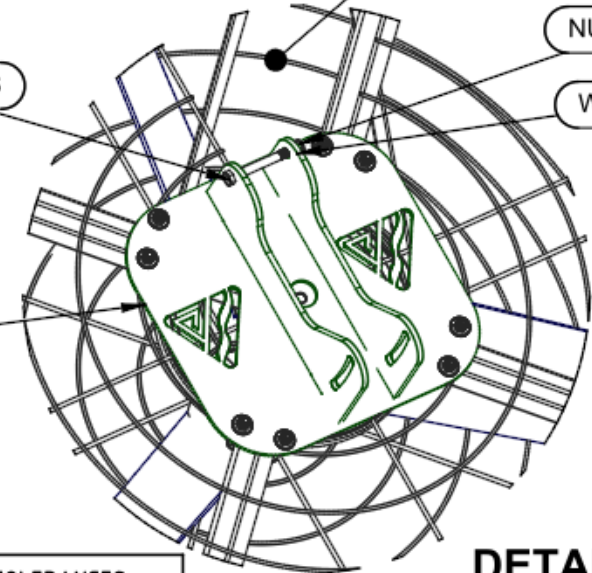
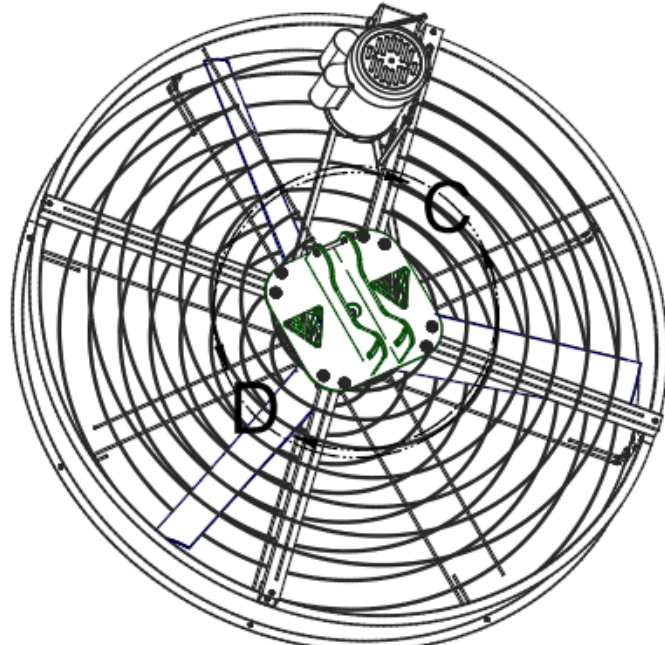
OPENING FOR MOTOR HERE

NUT3/8LSS

WAS3/8SS

BOL3/8-3 1/2 HSS

PF54-P-MNTPL



**DETAIL D**



PART DESC	INSTALLATION INSTRUCTION PF54 FAN SGL POST MOUNTING KIT
DWG NO.	PF54-P-INSTALLATION

STD. TOLERANCES:  
[+1/16" / -1/16"]

Unless Otherwise Specified  
All Drawing Units are In  
INCHES

**STEP 3 -- MOUNTING POST BRACKET AND FAN ARM**

**3A --** DETERMINE HEIGHT OF FAN OFF FLOOR TO THE BOTTOM OF FAN THEN MINUS 2" AND THIS WILL GIVE YOU THE DISTANCE OFF THE FLOOR TO THE BOTTOM OF THE POST MOUNT PLATE. **AS SHOWN IN ILLUSTRATION**

**NOTE: THIS IS A STARTING POINT, ROOM FOR ADJUSTMENT RAISING AND LOWERING MOUNTING ARM.**

**3B --** ONCE HEIGHT IS ESTABLISHED SECURE **PF54-P-PSTSMNT** TO POST USING 3 X POST SIZED UBOLT/ 6 X 3/8" WASHERS/ 6 X 3/8" LOCKNUTS. TIGHTEN RIGHT UP NICE AND SECURE

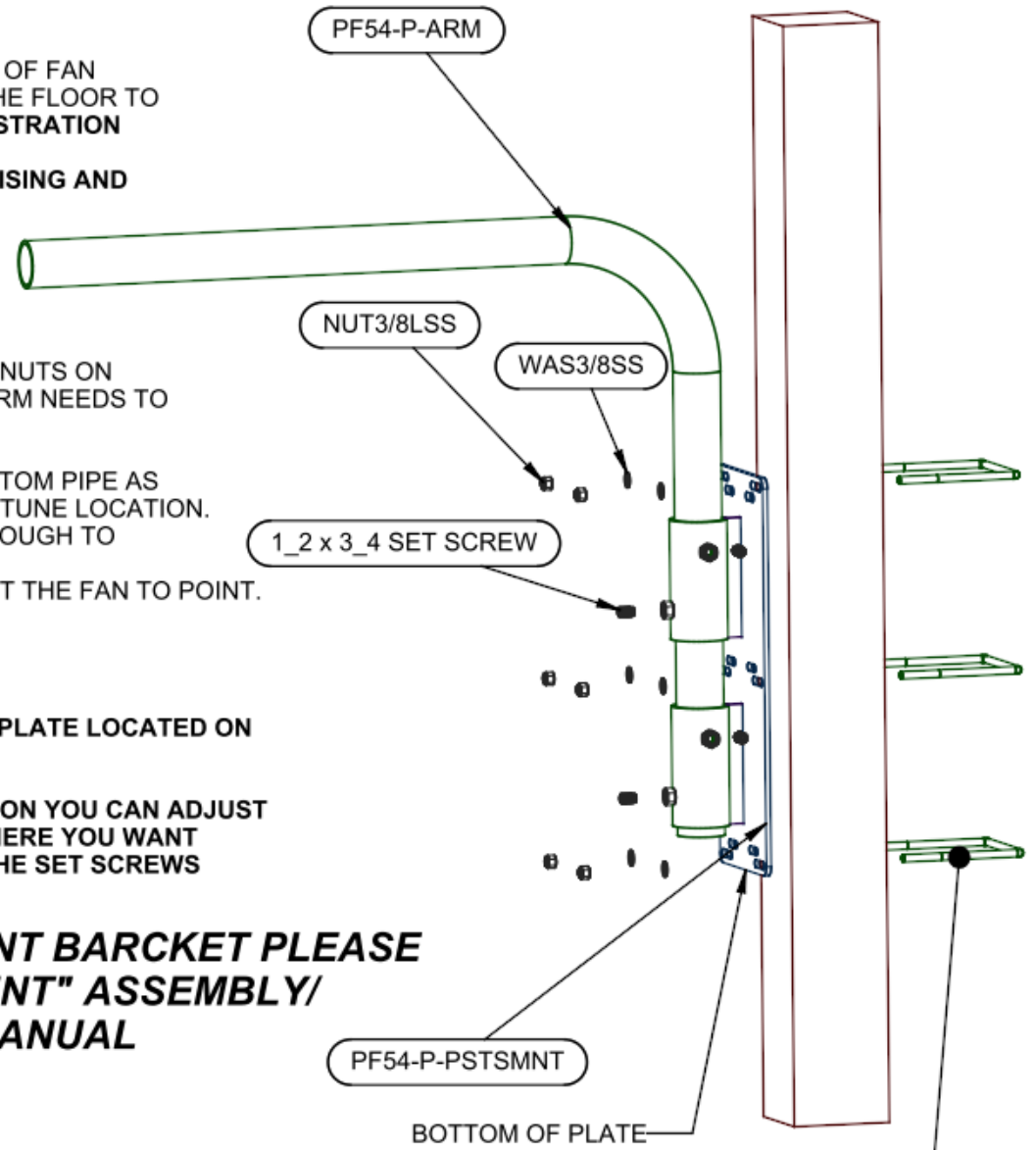
**3C --** THREAD 1/2" X 3/4" KNURLED SET SCREWS INTO LOCKING NUTS ON MOUNTING PLATE PIPES. DO NOT TURN TO FAR AS MOUNT ARM NEEDS TO SLIDE DOWN BOTH PIPES.

LEAVE APPROX 1/2" - 1" OF MOUNT ARM STICKING OUT OF BOTTOM PIPE AS THIS WILL AGAIN BE A GOOD STARTING POINT UNTIL YOU FINE TUNE LOCATION. SNUG UP SET SCREWS SO THE KNURL DIGS INTO THE JUST ENOUGH TO HOLD MOUNT ARM IN PLACE. AT THIS POINT YOU CAN DETERMINE THE DIRECTION YOU WANT THE FAN TO POINT. WHEN READY REALLY TIGHTEN AND SECURE SET SCREWS.


**NOTE:**  
FOR THE SINGLE MOUNT (SHOWN HERE) YOU WILL WANT THE PLATE LOCATED ON THIS FACE OF THE POST FACING DOWN THE BARN.

WHEN FINE TUNING WHERE YOU WANT THE FINAL FAN LOCATION YOU CAN ADJUST THE MOUNT ARM UP, DOWN AND SIDE TO SIDE DEPENDING WHERE YOU WANT THE FAN POINTING. DO THIS BEFORE FINAL TIGHTENING OF THE SET SCREWS

**FOR HANGING DOUBLE FAN POST MOUNT BRACKET PLEASE REFERENCE " PF54 PANEL FAN DBL MOUNT" ASSEMBLY/ INSTALLATION INSTRUCTIONS IN THIS MANUAL**



**POST U-BOLT**  
DEPENDS ON WHAT SIZE OF POST YOU HAVE 3" TO 6" O.D POST

 PUTTING INNOVATION TO WORK	PART DESC	STD. TOLERANCES: [+1/16" / -1/16"]
	INSTALLATION INSTRUCTION PF54 FAN SGL POST MOUNTING KIT	
DWG NO.	PF54-P-INSTALLATION	Unless Otherwise Specified All Drawing Units are In INCHES
	Pg4	

**STEP 4 -- ASSEMBLING/ MOUNTING PIVOT BRACKET**

**4A --** LOOSLY ASSEMBLE PF54-P-PIVCH AND PF54-P-CLMP WITH 4 X 3/8" X 1 1/4 BOLTS/ 4 X 3/8" WASHERS/ 4 X 3/8" LOCKNUTS

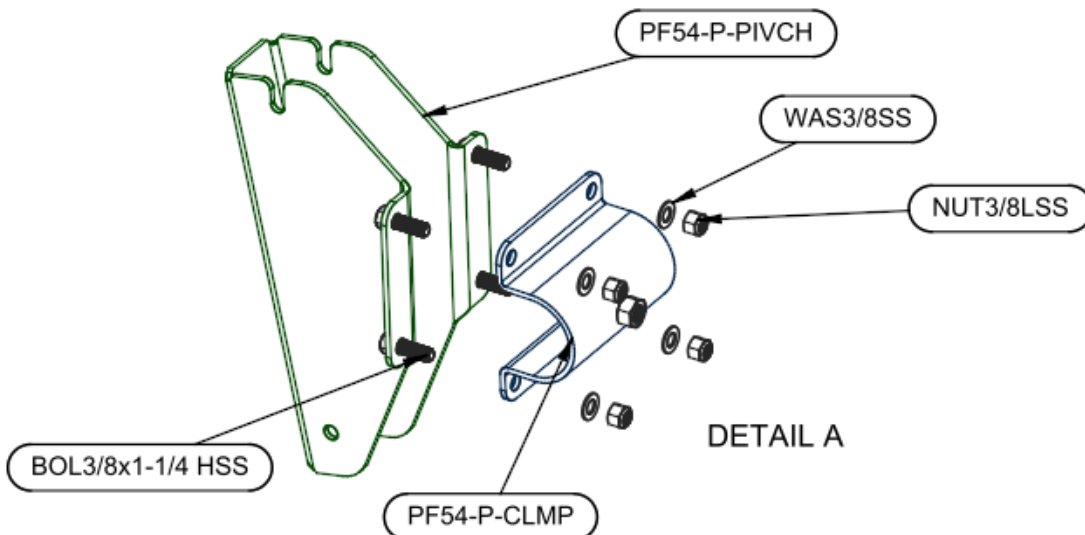
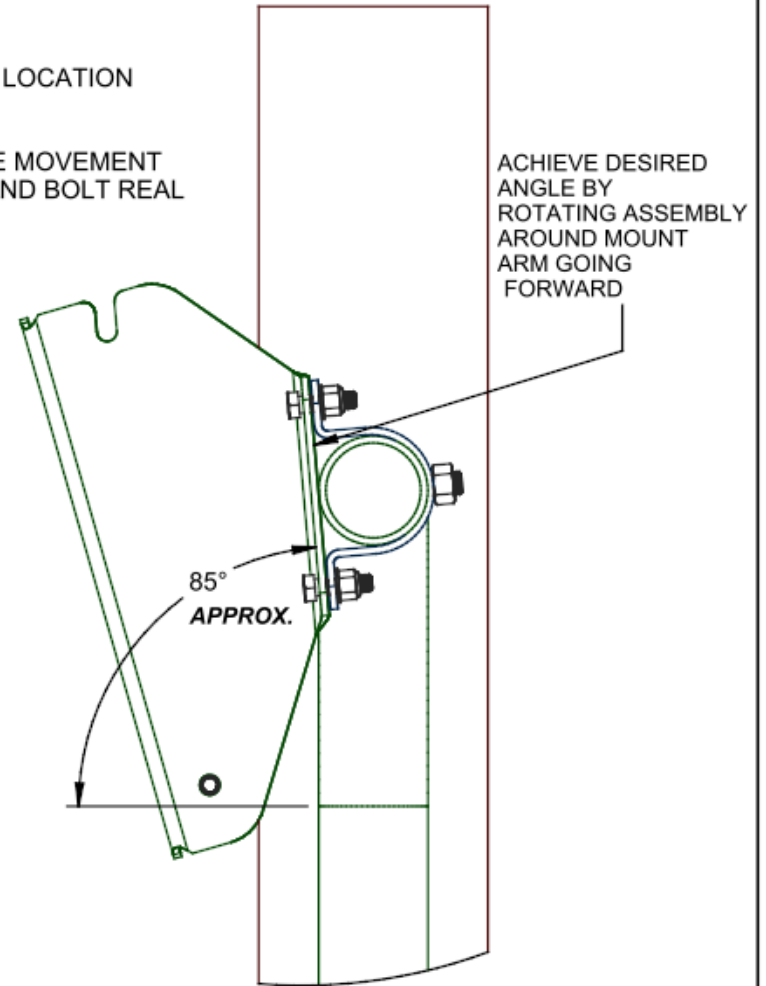
**NOTE: KEEP LOOSE AND HAND TIGHT SO ABLE TO SLIDE ONTO FAN MOUNTING ARM INSTALLED IN STEP 3. REFERENCE DETAIL A BELOW**

**4B --** SLIDE ON TO MOUNT ARM AND LOCATE ON MOUNT HAVING 4" OF MOUNT ARM STICKING OUT PAST CLAMP. THIS AGAIN IS A STARTING TO POINT UNTIL FINAL DESIRED LOCATION IS REACHED.

SNUG UP 2 X BOLTS CORNER TO EACH OTHER AND THE SET SCREW. ALLOW FOR LITTLE MOVEMENT TO GET TO PROPOSED STARTING ANGLE. ONCE HAPPY WITH LOCATION TIGHTEN NUT AND BOLT REAL TIGHT IN A STAR PATTERN TO ENSURE EQUAL PRESSURE ON ALL BOLTS. **REF DETAIL E**

**NOTE: THIS STEP CAN BE DONE EITHER IN STEP 4 OR AS PART OF STEP THREE ON THE GROUND BEFORE INSTALLATION OF MOUNT ARM INTO POST MOUNT PLATE.**

**DETAIL E**



PART DESC	INSTALLATION INSTRUCTION PF54 FAN SGL POST MOUNTING KIT
DWG NO.	PF54-P-INSTALLATION

STD. TOLERANCES: [+1/16" / -1/16"]
Unless Otherwise Specified All Drawing Units are In INCHES

## STEP 5 -- HANGING THE FAN

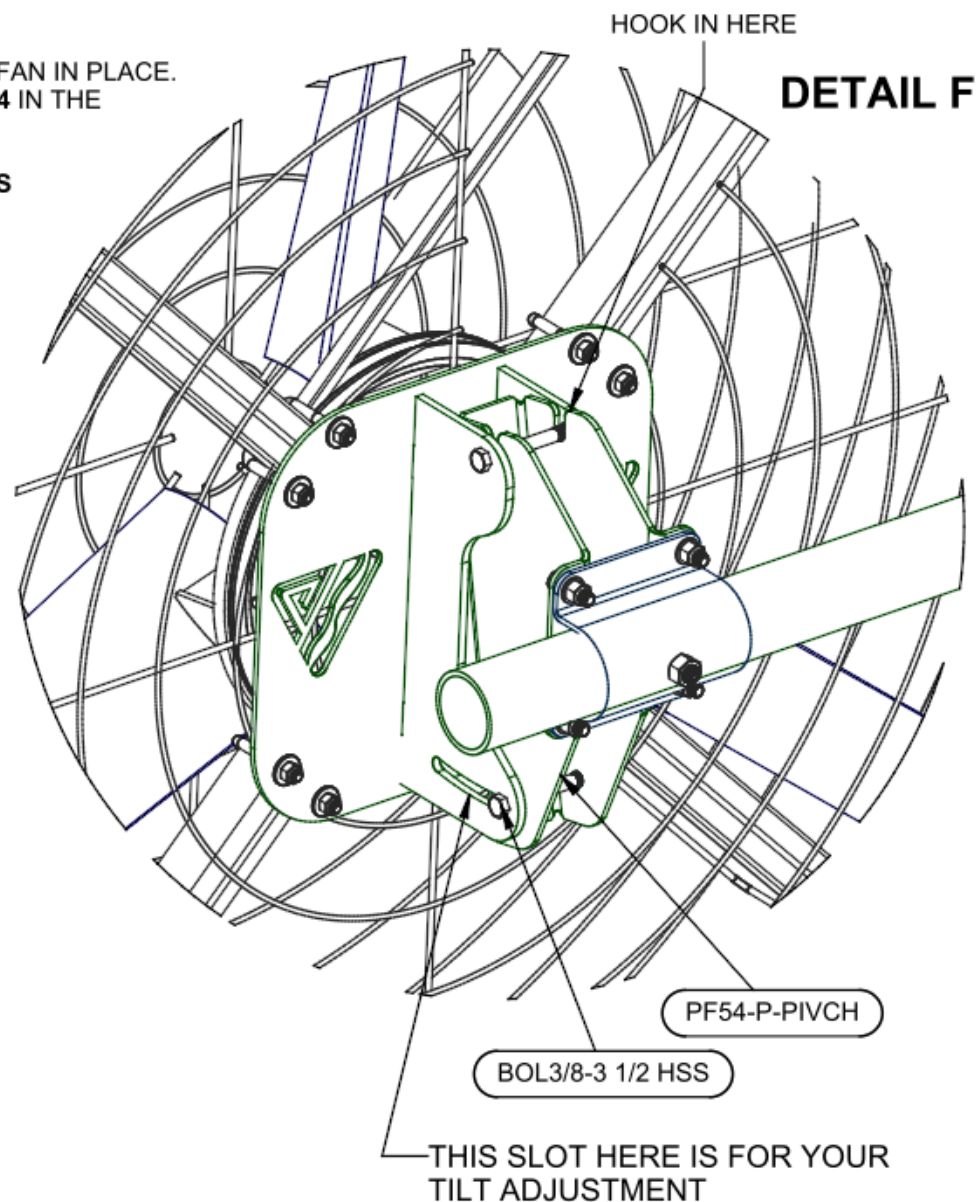
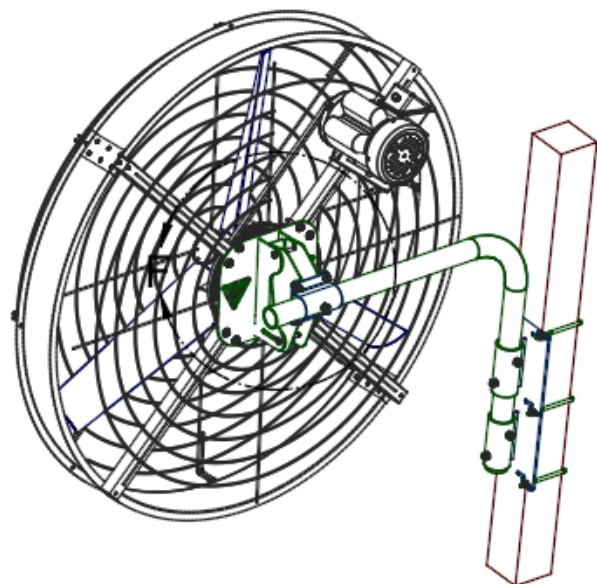
**5A --** TO HANG THE FAN IT IS RECOMMENDED THAT TWO PEOPLE LIFT FAN IN PLACE. HOOK THE 3/8" X 3 1/2" BOLT INSTALLED ON MOUNTING PLATE IN **STEP 4** IN THE SLOT ON PF54-P-PIVCH INSTALLED DURING **STEP 4**. REF - **DETAIL F**

**NOTE:** PF54-P-PIVCH SHOULD FIT INSIDE THE MOUNT PLATE BRACKETS AND THE 3/8" X 3 1/2" BOLT WILL ALLOW YOU TO HANG THE FAN AND LEAVE IT THERE TO CONTINUE ONTO **STEP 5B**.

**5B --** INSTAL BOL3/8-3 1/2 HSS INTO PIVOT SLOT AND THROUGH HOLES IN PF54-P-PIVCH. ONCE YOU ARE AT DESIRED TILT, TIGHTEN THIS BOLT IN PIVOT SLOT REALLY TIGHT TO SECURE TILT.

**NOTE:** WHEN WANTING TO ADJUST TILT YOU CAN LOOSEN BOLT AND TILT WHERE DESIRED. IF THAT IS NOT ENOUGH YOU CAN TILT THE FAN BY LOOSENING BOLTS ON CLAMP ASSEMBLED ON MOUNT ARM.

**CAUTION -** WHILE LOOSENING THE MOUNT CLAMP TO TILT THE FAN TO DO SOME TILT ADJUSTMENTS IT IS RECOMMENDED THAT ONE PERSON HOLDS THE FAN AND ONE LOOSES THE BOLTS. THE FAN WEIGHT COULD CAUSE THE FAN TO SPIN ON THE MOUNT ARM.



PART DESC

INSTALLATION INSTRUCTION PF54 FAN SGL POST MOUNTING KIT

DWG NO.

PF54-P-INSTALLATION

STD. TOLERANCES:  
[+1/16" / -1/16"]

Unless Otherwise Specified  
All Drawing Units are In  
INCHES

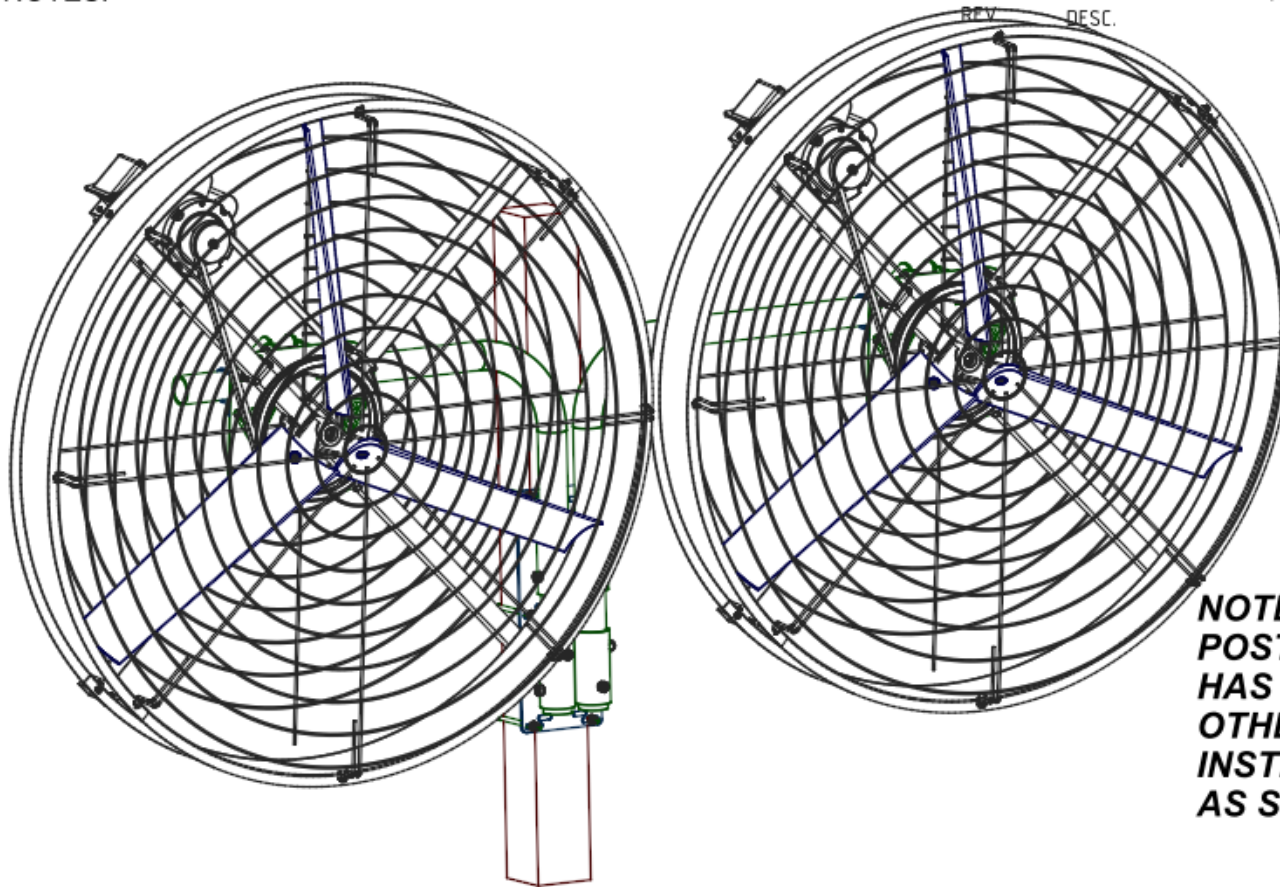
Pg6

NOTES:

REVISION HISTORY

MODIFIED BY

DATE 6/12/2023 11:04:01 AM CHECKED



**INSTRUCTIONS FOR :**

- PLASTIC BLADE ASSEMBLY
- STAINLESS BLADE ASSEMBLY
- 3" TO 6" POST SELECTION
- SINGLE FAN HANGING ORIENTATION
- TILTING AND PIVOTING

**NOTE: FOR THE DOUBLE MOUNT POST BRACKET THE ONLY STEP THAT HAS ALTERATIONS IS STEP 3. ALL OTHER INSTALLATION STEPS AND INSTRUCTIONS SHOULD BE FOLLOWED AS SHOWN IN SGL MOUNT INSTRUCTIONS**

# PF54 PANEL FAN DBL MOUNT ASSEMBLY/ INSTALLATION INSTRUCTIONS



THIRD ANGLE PROJECTION	MATERIAL TYPE	Unknown Material	INIT	DATE	PART DESC
	FINISH	PF54 PANEL FAN	CANARM	2/4/2020 2:37:03 PM	INSTALLATION INSTRUCTION FOR PF54 FAN DOUBLE MOUNTING KIT
	CURRENT REVISION				DWG NO.
					PF54-P-INSTALLATION dbl fan
					STD. TOLERANCES: [+1/16" / -1/16"]
					Unless Otherwise Specified All Drawing Units are In INCHES

### DOUBLE MOUNT STEP 3 -- MOUNTING POST DOUBLE FAN BRACKET AND FAN ARMS

**3A --** DETERMINE HEIGHT OF FANS OFF FLOOR TO THE BOTTOM OF FANS THEN MINUS 2" AND THIS WILL GIVE YOU THE DISTANCE OFF THE FLOOR TO THE BOTTOM OF THE POST MOUNT PLATE. **AS SHOWN IN ILLUSTRATION**

**NOTE: THIS IS A STARTING POINT, THERE IS ROOM FOR ADJUSTMENT RAISING AND LOWERING MOUNTING ARM.**

**3B --** ONCE HEIGHT IS ESTABLISHED SECURE **PF54-P-PSTSMNT** TO POST USING 3 X POST SIZED UBOLT/ 6 X 3/8" WASHERS/ 6 X 3/8" LOCKNUTS. TIGHTEN RIGHT UP NICE AND SECURE

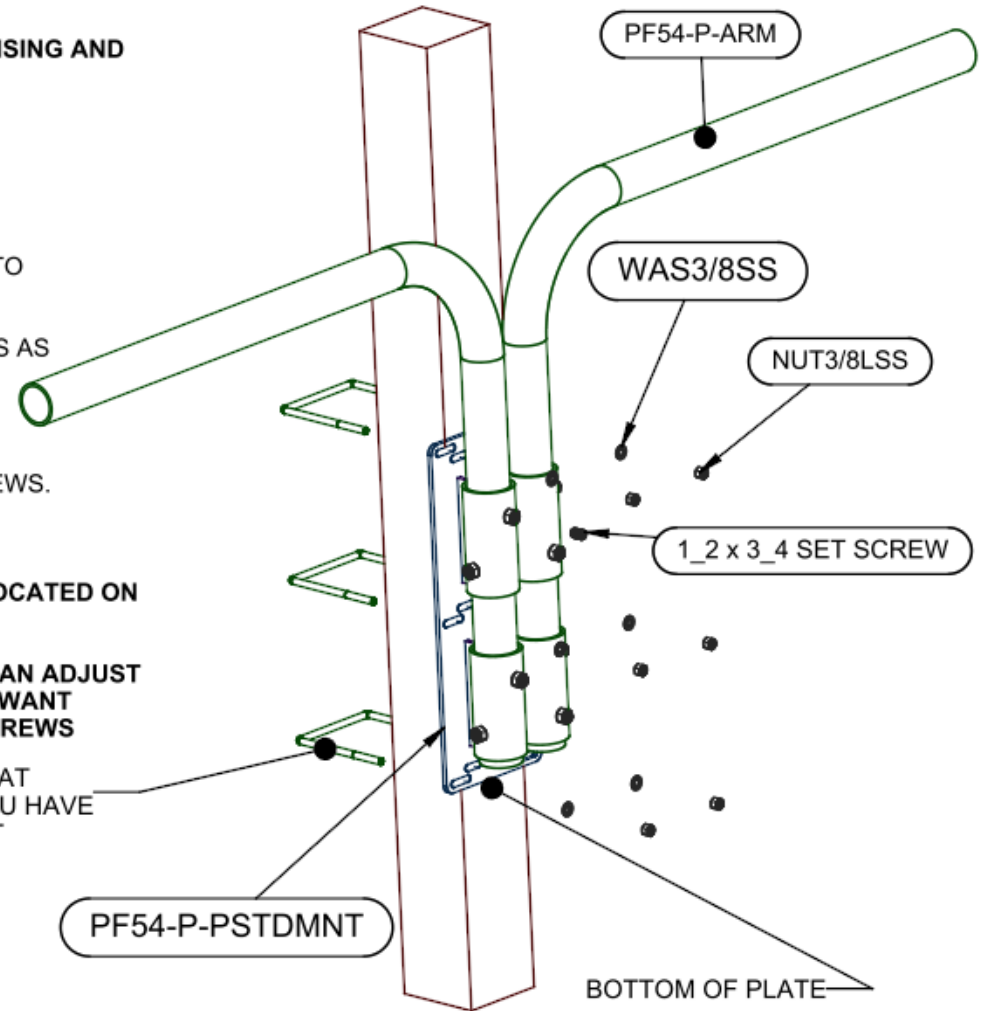
**3C --** THREAD 1/2" X 3/4" KNURLED SET SCREWS INTO LOCKING NUTS ON MOUNTING PLATE PIPES. DO NOT TURN TO FAR AS MOUNT ARM NEEDS TO SLIDE DOWN BOTH PIPES.

LEAVE APPROX 1/2" - 1" OF MOUNT ARM STICKING OUT OF BOTTOM PIPES AS THIS WILL AGAIN BE A GOOD STARTING POINT UNTIL YOU FINE TUNE LOCATION. SNUG UP SET SCREWS SO THE KNURL DIGS INTO THE JUST ENOUGH TO HOLD MOUNT ARM IN PLACE. AT THIS POINT YOU CAN DETERMINE THE DIRECTION YOU WANT THE FANS TO POINT. WHEN READY REALLY TIGHTEN AND SECURE SET SCREWS.

**NOTE:**  
FOR THE DOUBLE MOUNT (SHOWN HERE) YOU WILL WANT THE PLATE LOCATED ON THIS FACE OF THE POST FACING DOWN THE BARN.

WHEN FINE TUNING WHERE YOU WANT THE FINAL FAN LOCATION YOU CAN ADJUST THE MOUNT ARM UP, DOWN AND SIDE TO SIDE DEPENDING WHERE YOU WANT THE FAN POINTING. DO THIS BEFORE FINAL TIGHTENING OF THE SET SCREWS

DEPENDS ON WHAT SIZE OF POST YOU HAVE  
3" TO 6" O.D POST



PART DESC	STD. TOLERANCES: [+1/16" / -1/16"]
INSTALLATION INSTRUCTION FOR PF54 FAN DOUBLE MOUNTING KIT	
DWG NO.	Unless Otherwise Specified All Drawing Units are In INCHES
PF54-P-INSTALLATION dbl fan	