

NOTES:

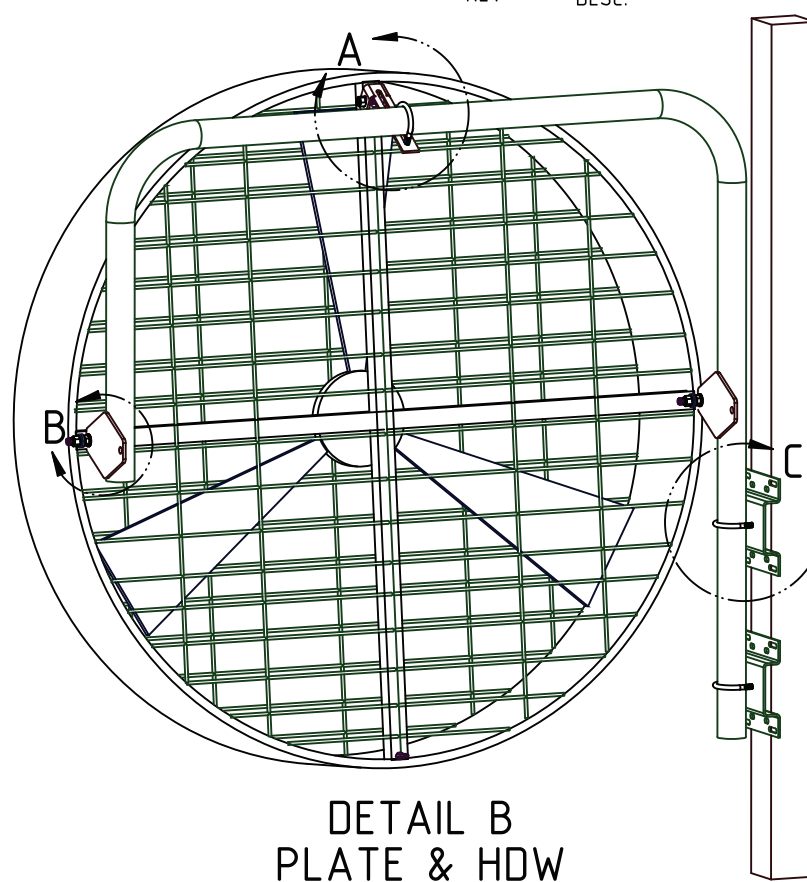
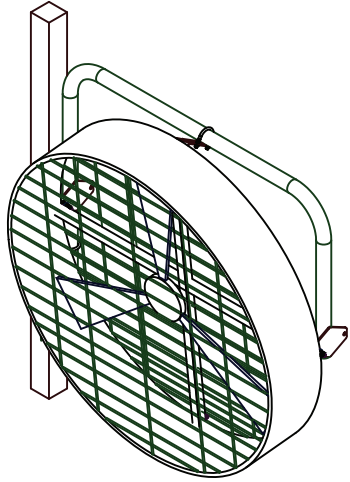
REVISION HISTORY

REV DESC.

MODIFIED BY

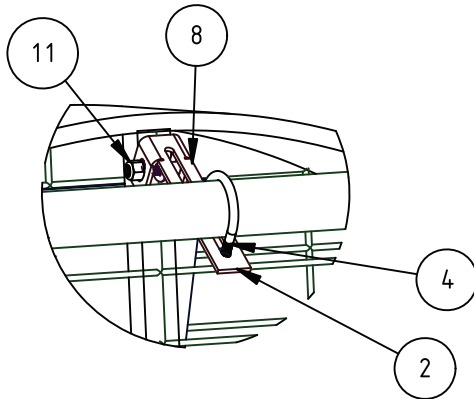
DATE
2/17/2020 5:03:03 PM

CHECKED

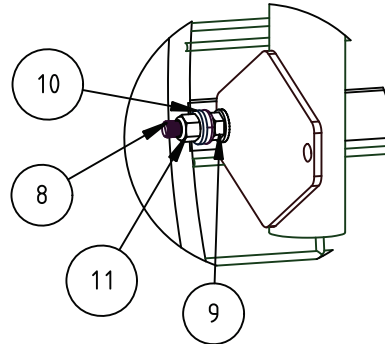


ITEM NO.	PART NUMBER	QTY
1	PF54-MNT	1
2	PF54-MNTBKT	1
3	PF52-MNTBKT	2
4	20-5A	3
5	WAS3/8	6
6	NUT3/8LN	6
7	PF54 FAN	1
8	BOL1-2X21-4H	3
9	NUT1/2 F	2
10	WAS1_2	2
11	NUT1/2 LN	3

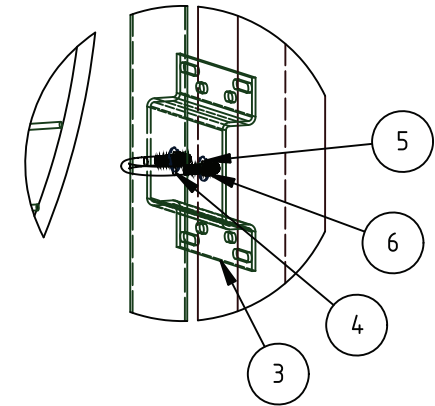
DETAIL A
BRACKET & HDW FOR
ADJUSTING FAN TILT



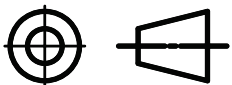
DETAIL B
PLATE & HDW
FOR MOUNTING FAN



DETAIL C
BRACKET & HDW
FOR MOUNTING ONTO
STRUCTURAL POST



THIRD ANGLE PROJECTION



MATERIAL TYPE
Unknown Material

FINISH

CURRENT REVISION

INIT DATE

2/4/2020 2:37:03 PM

PART DESC

INSTALLATION INSTRUCTION FOR PF54 FAN & MOUNTING KIT

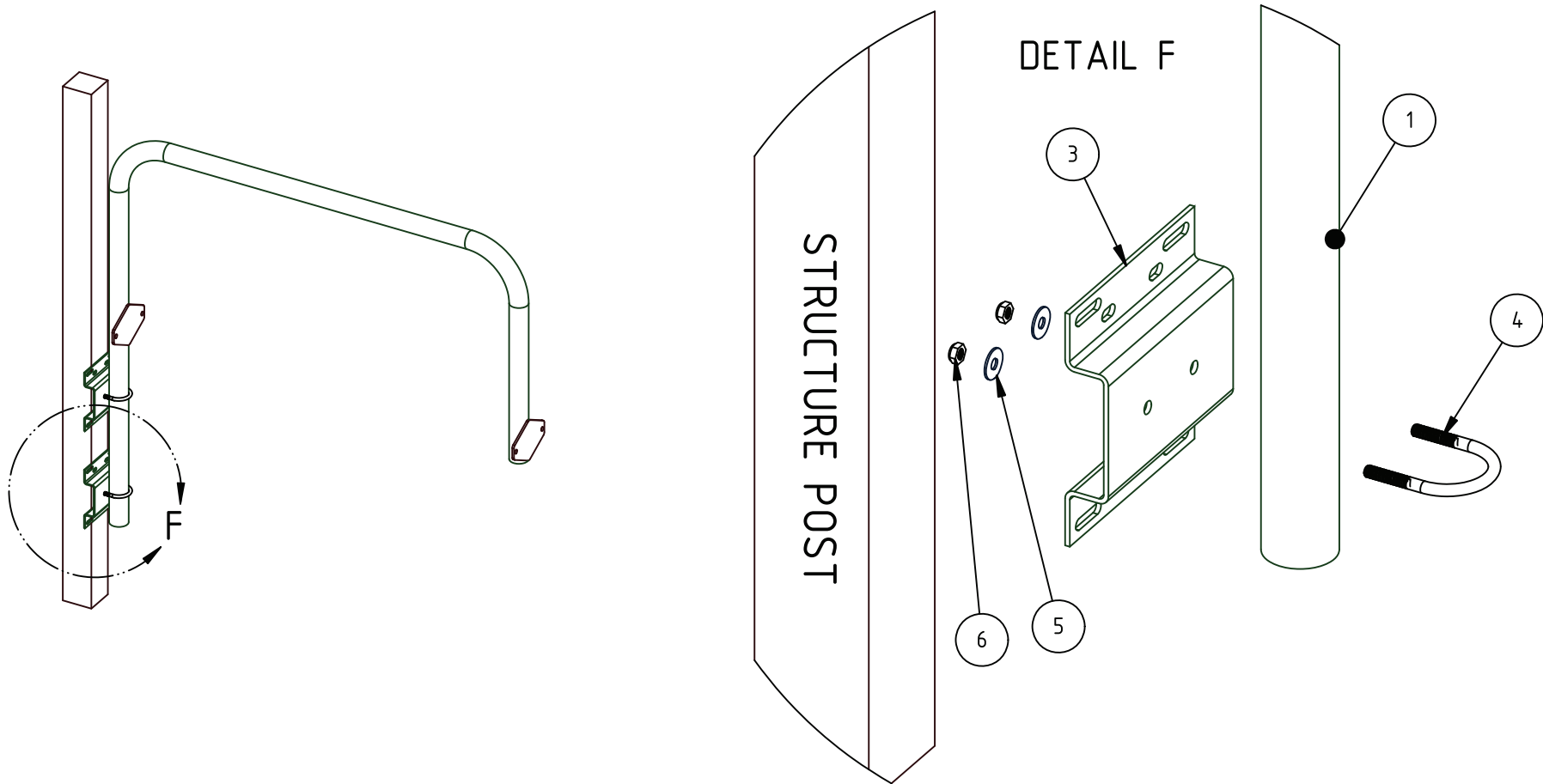
DWG NO.

PF54-MNTKIT Installation Manual

STD. TOLERANCES:
[+1/16" / -1/16"]

Unless Otherwise Specified
All Drawing Units are In
INCHES

STEP 2: INSTALL ARM ONTO STRUCTURE POST



SLOTS IN BRACKET ALLOW
MOUNTING ONTO STRUCTURE
POST SIZES FROM 2" - 6 1/2"

U-BOLT FOR MOUNTING BRACKET ONTO
STRUCTURE POST IS SOLD SEPARATELY



PART DESC

INSTALLATION INSTRUCTION FOR PF54 FAN & MOUNTING KIT

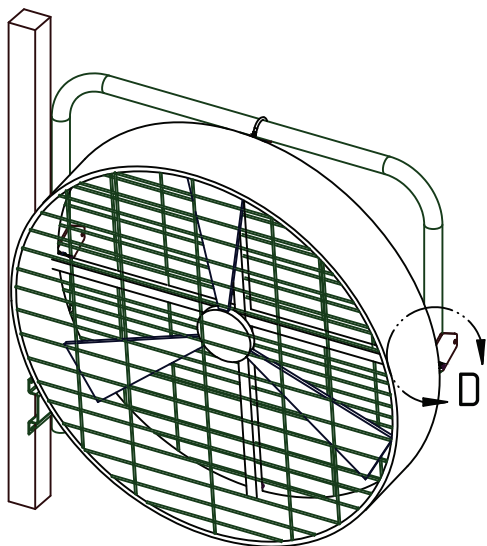
DWG NO.

PF54-MNTKIT Installation Manual

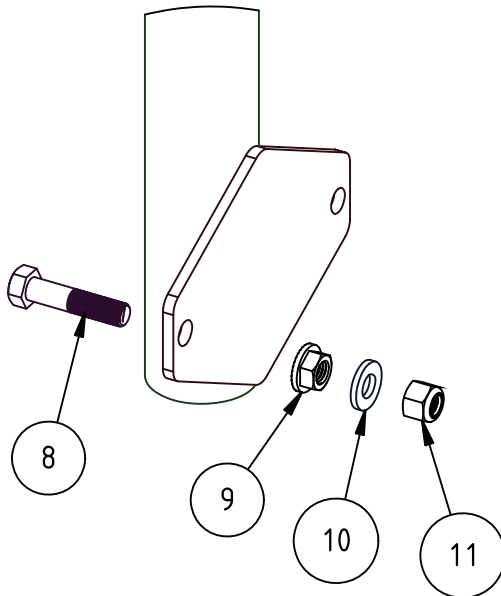
STD. TOLERANCES:
[+1/16" / -1/16"]

Unless Otherwise Specified
All Drawing Units are in
INCHES

STEP 1: INSTALL HARDWARE ONTO MOUNT ARM



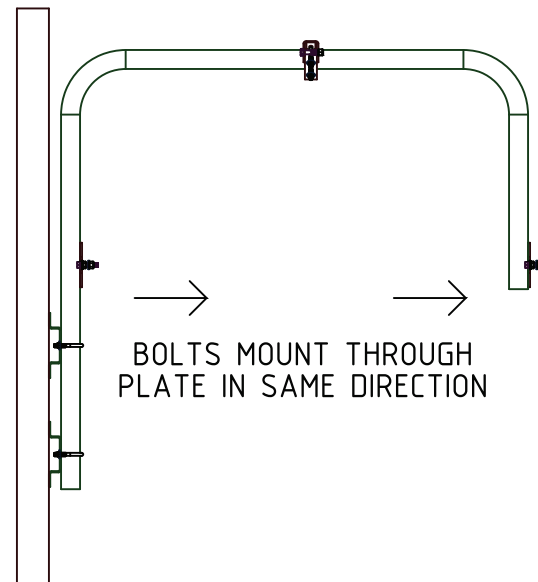
DETAIL D



EYEBOLT FROM FAN GOES IN BETWEEN ITEM #'s 9 & 10 (SEE STEP 3)

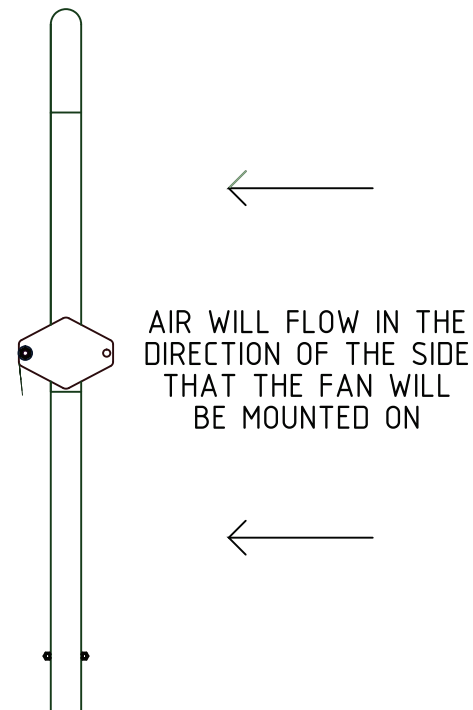
NOTE THAT ITEM #'s 10 & 11 ARE FASTENED ON AFTER FAN IS MOUNTED ONTO ARM (SEE STEP 3)

IMPORTANT



BOLTS MOUNT THROUGH PLATE IN SAME DIRECTION

IMPORTANT



AIR WILL FLOW IN THE DIRECTION OF THE SIDE THAT THE FAN WILL BE MOUNTED ON



PART DESC

INSTALLATION INSTRUCTION FOR PF54 FAN & MOUNTING KIT

DWG NO.

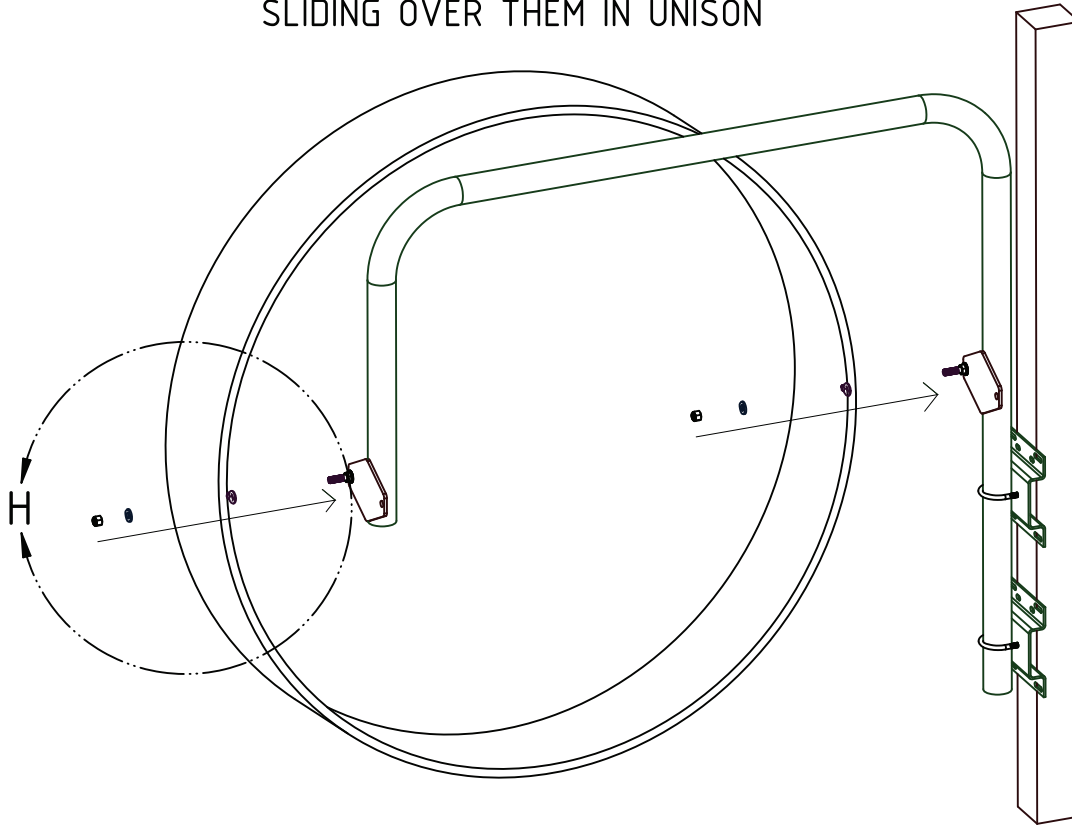
PF54-MNTKIT Installation Manual

STD. TOLERANCES:
[+1/16" / -1/16"]

Unless Otherwise Specified
All Drawing Units are in
INCHES

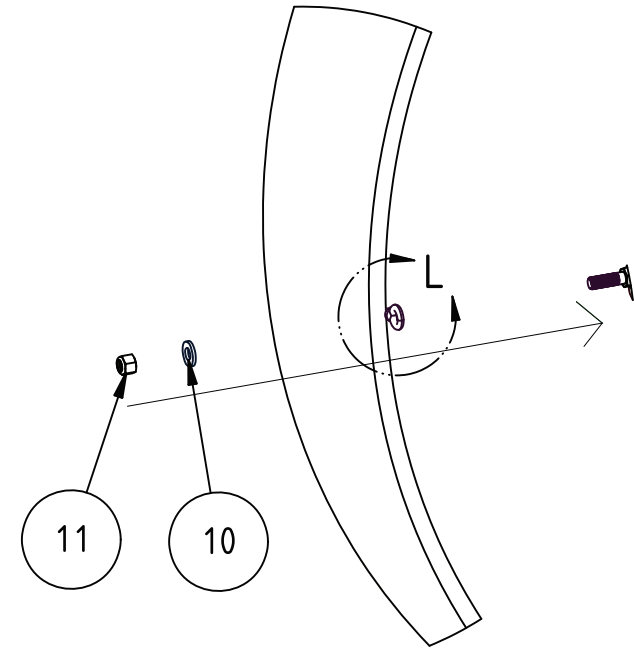
STEP 3: ATTACH FAN ONTO MOUNTING ARM

LIFT FAN UP TO THE MOUNTING BOLTS,
SLIDING OVER THEM IN UNISON



DETAIL H

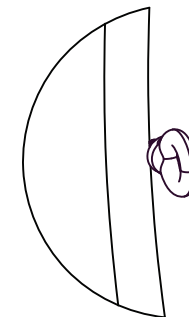
FASTEN ON ITEMS 10 & 11
ONCE FANS I-BOLT IS IN PLACE



(INNER COMPONENTS OF FAN REMOVED FOR CLARITY)

DETAIL L

I-BOLT THAT IS
ATTACHED ONTO FAN



PART DESC

INSTALLATION INSTRUCTION FOR PF54 FAN & MOUNTING KIT

DWG NO.

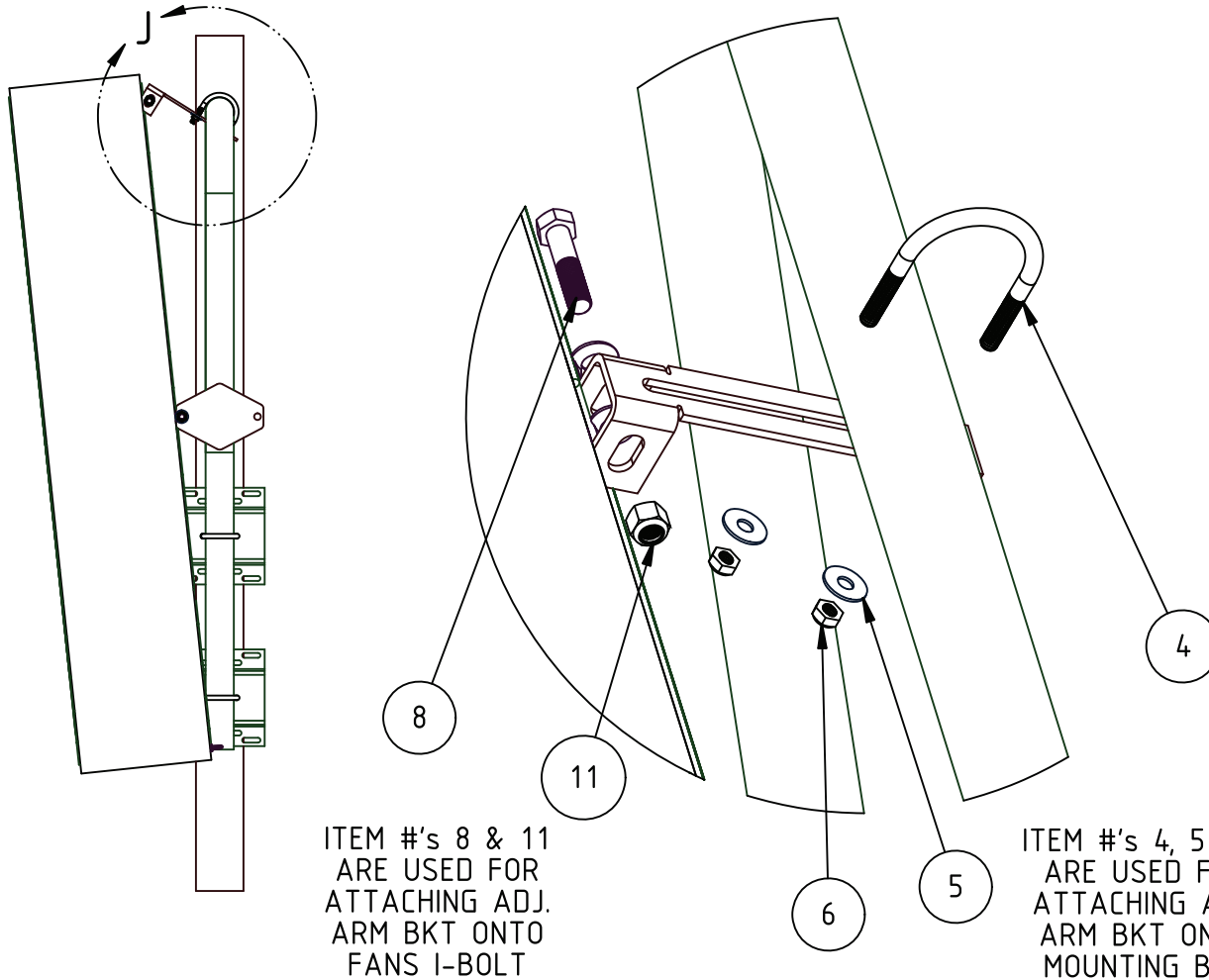
PF54-MNTKIT Installation Manual

STD. TOLERANCES:
[+1/16" / -1/16"]

Unless Otherwise Specified
All Drawing Units are In
INCHES

STEP 4: INSTALL ADJUSTABLE ARM BRACKET

DETAIL J



ITEM #'s 8 & 11
ARE USED FOR
ATTACHING ADJ.
ARM BKT ONTO
FANS I-BOLT

ITEM #'s 4, 5 & 6
ARE USED FOR
ATTACHING ADJ.
ARM BKT ONTO
MOUNTING BKT

LONG SLOT IN BRACKET
ALLOWS YOU TO ADJUST
THE ANGLE WHICH THE FAN
CIRCULATES AIR

