

LED Vapor Proof Light



INSTALLATION INSTRUCTIONS / PLEASE READ AND SAVE THESE INSTRUCTIONS

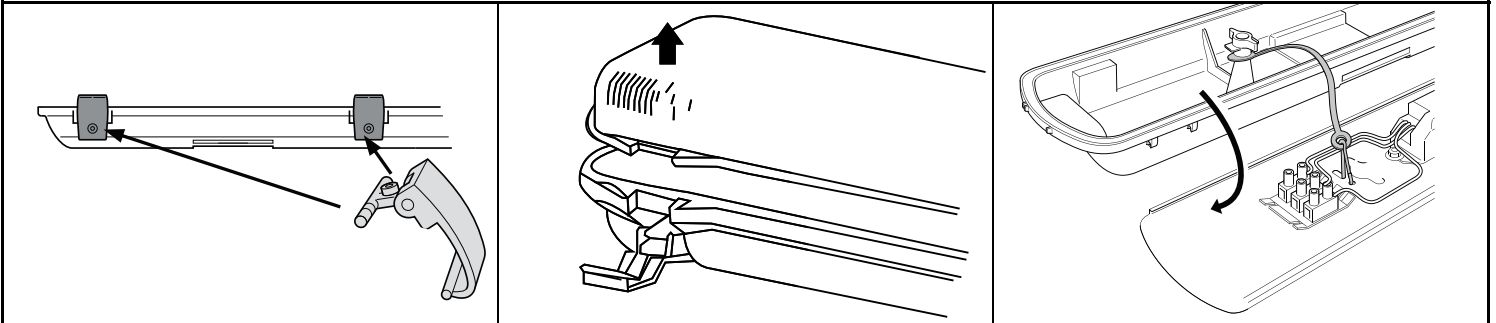


WARNINGS AND SAFETY PRECAUTIONS

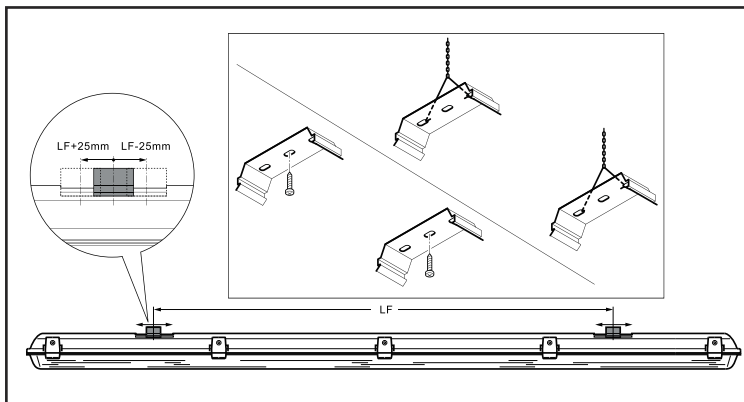
1. Turn off electrical power before starting installation of light fixture.
2. All local building and electrical codes must be followed.

INSTALLING LED VAPOR PROOF LIGHT

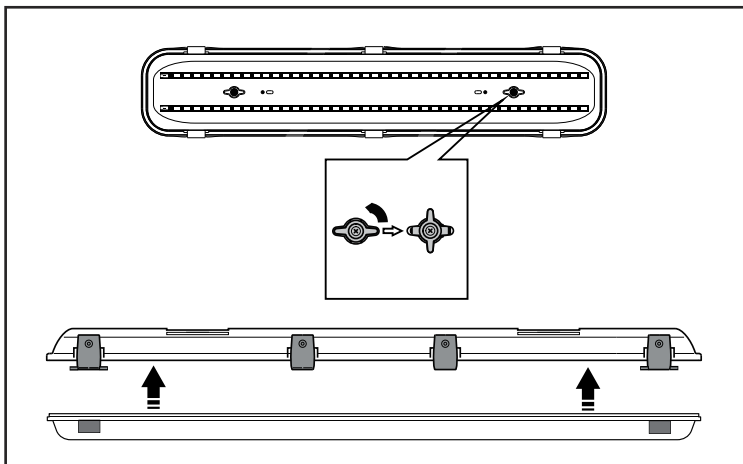
1. Carefully remove the PC cover through opening the metal clip, then remove aluminum plate through rotating the plastic knob.



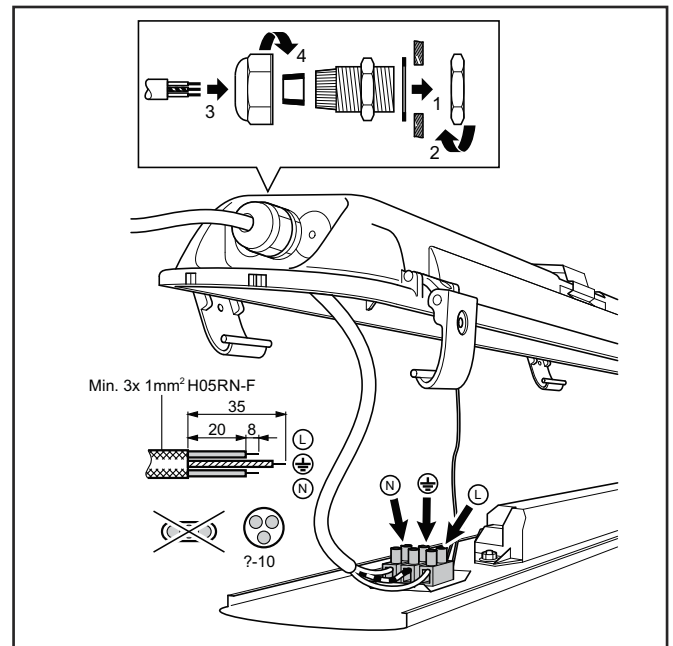
2. Screw two pieces metal bracket (packed in the accessory bag) to ceiling; install the housing to the metal bracket.



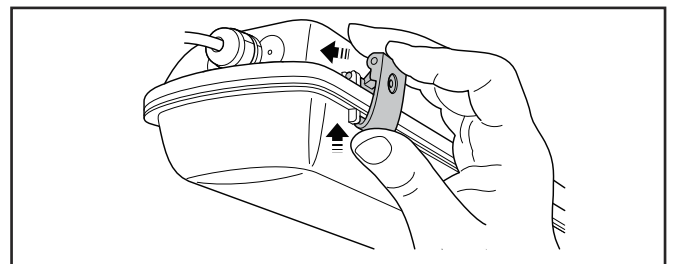
4. Screw two pieces metal bracket (packed in the accessory bag) to ceiling; install the housing to the metal bracket.



3. Install the end cap, connect wiring to terminal block of the light through the cable entry hole.



5. Screw two pieces metal bracket (packed in the accessory bag) to ceiling; install the housing to the metal bracket.



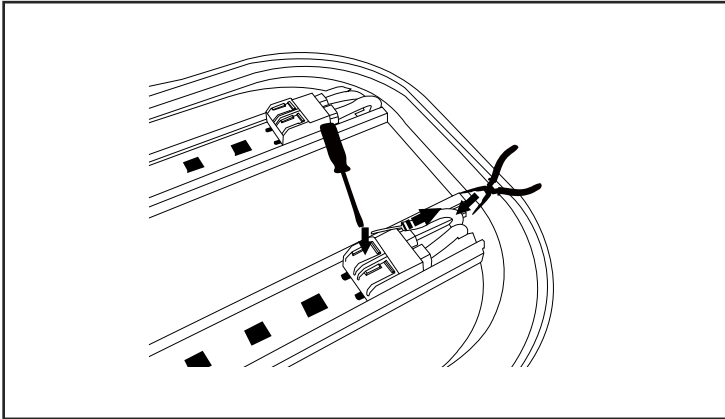


WARNINGS AND SAFETY PRECAUTIONS

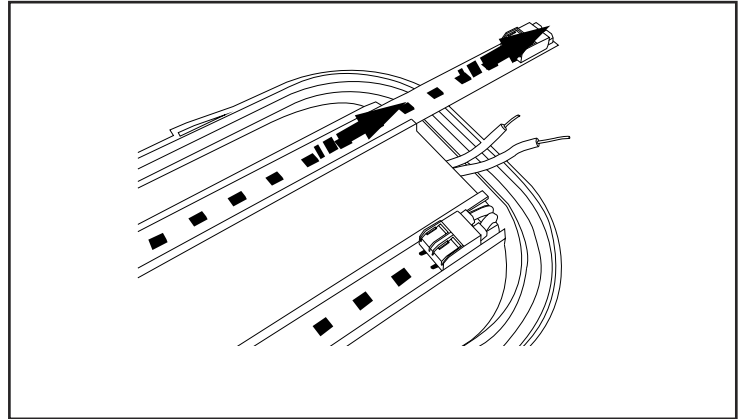
1. Turn off electrical power before starting installation of light fixture.
2. All local building and electrical codes must be followed.

REPLACING THE LED STRIP

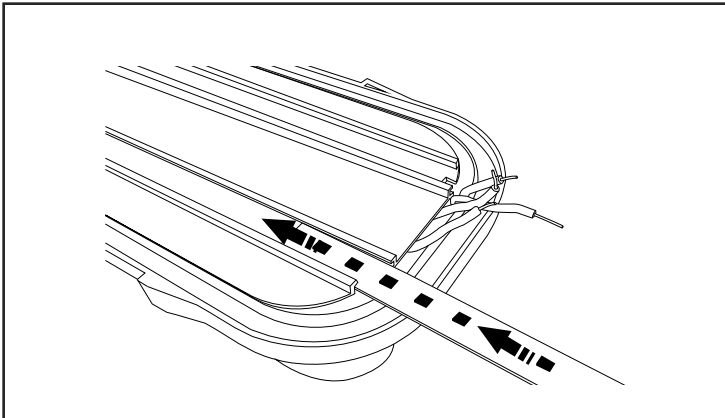
1. Press the terminal block at the end of each strip, and pull out the wire.



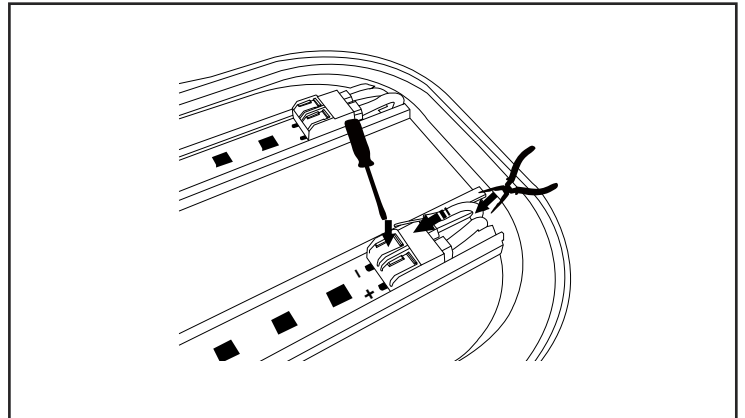
2. Pull out the LED strip from the aluminum plate the direction of arrow.



3. Replace a new LED strip to the aluminum plate, inserting follow the direction of the arrow.



4. Connect the wire to the terminal block of LED strip, matching the "+" and "-" poles.



CANARM LTD. - CORPORATE HEAD OFFICE
 2157 Parkedale Avenue, PO Box 367
 Brockville, Ontario Canada K6V 5V6
 Tel: (613) 342-5424; Fax: (613) 342-8437

agsales@canarm.ca



CANARM BSM – ARTHUR MANUFACTURING FACILITY
 #7686 Concession 16, RR#4
 Arthur, Ontario Canada N0G1A0
 Tel: (519) 848-3910; Fax: (519) 848-3948

www.canarm.com