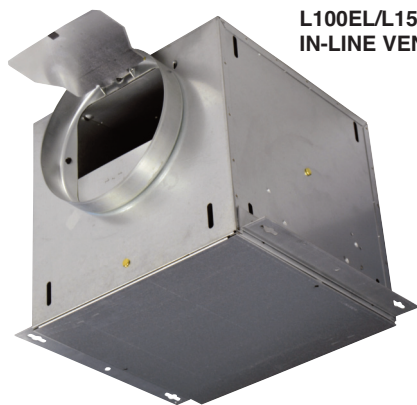
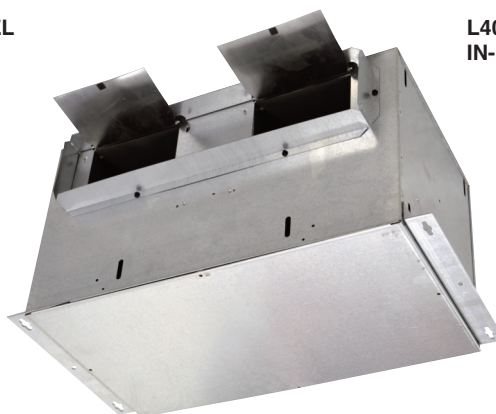


# L-L SERIES

Ceiling Exhausters by Broan Nutone



L100EL/L150EL/L200EL/L250EL/L300EL  
IN-LINE VENTILATORS



L400L/L500L/L700L  
IN-LINE VENTILATORS

## FEATURES

- Low RPM for quiet operation
- Resilient anti-vibration blower mounts
- Dynamically balanced polymeric centrifugal blower wheel(s) for quiet efficient performance
- Permanently lubricated thermally protected 120v motor with plug disconnect, designed for continuous operation
- Round or rectangular duct connections
- Quiet automatic backdraft damper(s)
- Standard straight through inline discharge (field convertible to right angle discharge)

## PERFORMANCE SPECIFICATIONS

MODEL	CFM @ .125" SP	SONES	AMPS	WATTS	DUCT
<b>In-Line Ventilator (No Grille)</b>					
L100EL	106	0.7	1.1	87	6"
L150EL	147	1.1	1.3	100	6"
L200EL	195	1.9	1.8	127	8"
L250EL	245	2.3	2.1	166	8"
L300EL	293	3.1	2.6	212	8"
L400L	406	1.6	1.4	146	4 1/2" x 18 1/2"
L500L	519	3.4	2.2	232	4 1/2" x 18 1/2"
L700L	681	3.7	2.9	313	4 1/2" x 18 1/2"

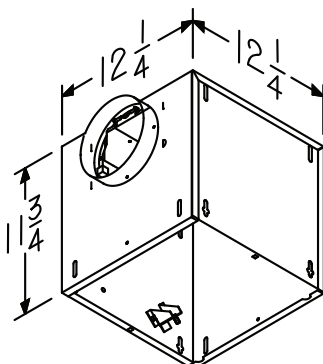
## OPTIONS & ACCESSORIES

- Speed control
- Wall cap, roof jack, roof cap (self-flash or curb mounted)
- Rectangular to round inlet and/or discharge adapter (L400L-700L)
- RIS hanging isolators

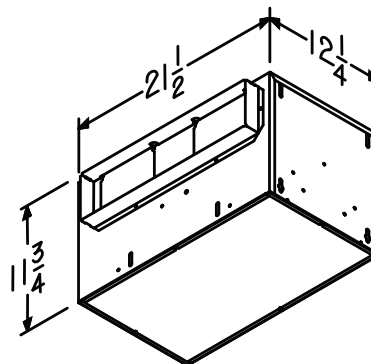


## DIMENSIONS

L100EL/L150EL/L200EL/L250EL/L300EL IN-LINE VENTILATORS



L400L/L500L/L700L IN-LINE VENTILATORS

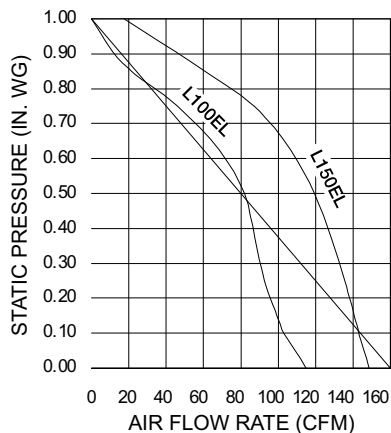


# L-L SERIES

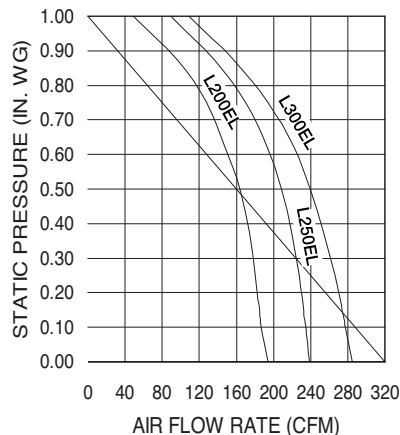
## FAN CURVES

Ceiling Exhausters by Broan Nutone

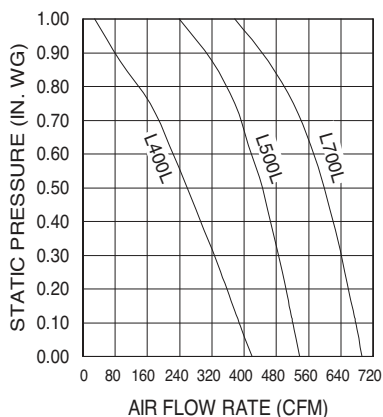
**L100EL/L150EL**



**L200EL/L250EL/L300EL**



**L400L/L500L/L700L**



Model	Watts Amps	Nom RPM	CFM @ INWG										Unit Weight	Intake & Discharge Size
			FA	0.100	0.125	0.250	0.375	0.500	0.625	0.750	0.875	1.000		
L100EL	87	760	121	108	106	97	93	86	70	44	17	--	22.9 lbs	6" Rd
	1.1	Sones	0.5	0.7	0.7	1.1	1.4	1.8	2.1	2.4	2.6	--		
L150EL	100	920	153	148	147	140	134	125	111	91	54	18	22.9 lbs	6" Rd
	1.3	Sones	0.9	1.0	1.1	1.4	1.6	1.9	2.1	2.2	2.4	2.6		
L200EL	127	865	205	196	195	190	185	175	158	135	96	47	23.1 lbs	8" Rd
L250EL	1.8	Sones	1.7	1.9	1.9	2.1	2.3	2.4	3.0	3.3	3.4	3.4	23.2 lbs	
	166	1005	248	245	245	241	235	224	208	183	141	84		
L300EL	2.1	Sones	2.0	2.3	2.3	2.6	2.8	3.2	3.4	3.6	3.9	3.8	23.2 lbs	
	212	1145	300	294	293	285	274	259	243	214	168	113		
L400L	2.6	Sones	2.9	3.0	3.1	3.3	3.4	3.5	3.6	3.7	4.0	3.9	33.9 lbs	18-1/2" x 4-1/2"
	146	775	450	415	406	360	313	271	223	167	90	--		
L500L	1.4	Sones	1.4	1.6	1.6	1.9	2.2	2.6	2.9	3.4	3.6	--	33.9 lbs	
	232	890	546	526	519	496	472	447	407	364	306	232		
L700L	2.2	Sones	2.4	2.4	3.4	3.7	3.9	3.8	3.9	4.0	4.3	4.3	34 lbs	
	313	1090	704	686	681	656	631	604	575	533	480	412		
	2.9	Sones	3.6	3.8	3.7	3.9	4.0	4.2	4.3	4.4	4.7	5.0		