

JET SERIES POLYPROPYLENE INLINE FANS



The JET Series centrifugal inline fan is designed to work in highly corrosive air applications such as laboratory exhaust or the chemical industry. In-line centrifugal fan from 6" up to 10" inlet. Mounted on a roof curb or an inline, JET fans generate a high plume exhaust to ensure maximum dilution of gases in the environment. Smooth and quiet performance. Ideal for water treatment plants and fume hood exhaust applications.

FEATURES

- Polypropylene casing and wheel recommended up to 190°F.
- Housing shall be constructed of strong high-density UV treated polypropylene for maximum corrosion resistance.
- High plume of air to ensure maximum dilution of gases to prevent exhaust fumes returning into buildings.
- Wheels are both electronically and dynamically balanced.
- Direct drive, heavy-duty ball bearing type motors for continuous duty.

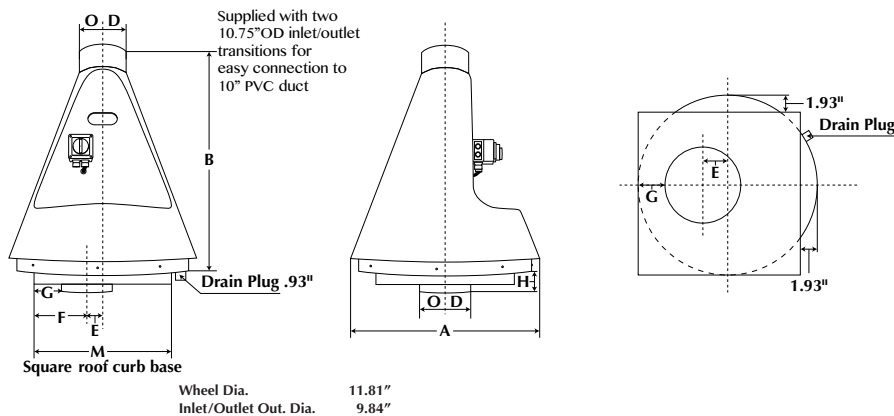
SPECIFICATIONS

MODEL	MODEL #		INLET/OUTLET SIZE (OD) INCHES	RPM	H.P.	CFM												
	SINGLE PHASE	THREE PHASE				1/4"	1/2"	3/4"	1"	1 1/2"	2"	2 1/2"	3"	3.5"	4"	4.5"	7.5"	8.5"
TEFC																		
20	JET20T10025C	JET20T30025C-*	6.62/6.62	1140	1/4	325	100	-	-	-	-	-	-	-	-	-		
	JET20T10033B	JET20T30033B-*	6.62/6.62	1725	1/3	-	500	400	300	-	-	-	-	-	-	-		
	JET20T10150A	JET20T30150A-*	6.62/6.62	3450	1 1/2	-	-	-	-	-	1000	950	900	800	690	550		
25	JET25T10033C	JET25T30033C-*	8.62/8.62	1140	1/3	-	750	575	225	-	-	-	-	-	-	-		
	JET25T10075B	JET25T30075B-*	8.62/8.62	1725	3/4	-	-	-	1050	850	575	-	-	-	-	-		
	-	JET25T30300A-*	8.62/8.62	3450	3	-	-	-	-	-	-	-	-	-	-	1350	800	
30	JET30T10075C	JET30T30075C-*	10.75/10.75	1140	3/4	-	1500	1375	1250	250	-	-	-	-	-	-		
	JET30T10200B	JET30T30200B-*	10.75/10.75	1725	2	-	-	-	-	2100	1850	1500	875	-	-	-		
EXPLOSION PROOF																		
20	JET20X10033B	JET20X30033B-*	8.62/8.62	1725	1/3	-	500	400	300	-	-	-	-	-	-	-		
30	-	JET30X30075C-*	10.75/10.75	1140	3/4	-	1500	1375	1250	250	-	-	-	-	-	-		
	-	JET30X30200B-*	10.75/10.75	1775	2	-	-	-	-	2100	1850	1500	875	-	-	-		

* For three phase motors, substitute "*" with "M" for 208-230/460V, or with "P" for 575V

DIMENSIONS

MODEL	A	B	D	E	F	G	H	M (ID)	X	Y
JET20	23.62"	33.25"	6.3"	1.93"	9.87"	6.31"	4.5"	21.25" X 21.25"	11"	11.81"
JET25	28.93"	39.12"	7.87"	2.37"	12"	5.68"	5.31"	21.25" X 21.25"	13"	11.81"
JET30	34.62"	43.31"	9.84"	2.75"	7.87"	2.93"	5.12"	21.25" X 21.25"	15.75"	15.75"

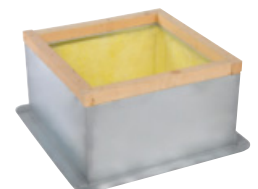


ACCESSORIES

- Optional JET Wall Mounting Bracket
- Optional Insulated Galvalume Roof Curb



Wall Mounting Bracket



Insulated Galvalume Roof Curb



Plastec products are special non-standard items and are not-returnable and cannot be cancelled.