

**CURRENTLY ONLY
AVAILABLE IN CANADA**

JFHVA AIR MAKE UP JET FANS

Provides significant energy savings by inexpensively distributing make-up air strategically and comfortably throughout a building.

Air Make-Up Jet Fan systems utilize a propeller fan in conjunction with a modulating face and by-pass control dampers to mix cold outside air with warm inside air, which results in inexpensive, tempered make-up air that can be distributed evenly throughout the work space, providing greater comfort and energy savings.

PERFORMANCE SPECIFICATIONS

BLADE DIAMETER	MODEL #		RPM	H.P.	CFM	dBA @ 5 ft.
	SINGLE PHASE	THREE PHASE				
24"	JFHVA24FBC10075	JFHVA24FBC30075*	1180	3/4	4700	68
	JFHVA24FBC10100	JFHVA24FBC30100*	1295	1	5690	70
	JFHVA24FBC10150	JFHVA24FBC30150*	1475	1 1/2	7000	73
30"	JFHVA30FBC10100	JFHVA30FBC30100*	965	1	6610	69
	JFHVA30FBC10150	JFHVA30FBC30150*	1095	1 1/2	9140	72
	JFHVA30FBC10200	JFHVA30FBC30200*	1225	2	11100	74
36"	JFHVA36FBC10150	JFHVA36FBC30150*	830	1 1/2	8430	72
	JFHVA36FBC10200	JFHVA36FBC30200*	910	2	12190	74
	JFHVA36FBC10300	JFHVA36FBC30300*	1045	3	16020	78
42"	JFHVA42FBC10200	JFHVA42FBC30200*	770	2	11320	74
	JFHVA42FBC10300	JFHVA42FBC30300*	895	3	17680	76
	JFHVA42FBC10500	JFHVA42FBC30500*	1005	5	21810	79
48"	JFHVA48FBC10200	JFHVA48FBC30200*	645	2	11070	71
	JFHVA48FBC10300	JFHVA48FBC30300*	745	3	17880	74
	JFHVA48FBC10500	JFHVA48FBC30500*	885	5	24690	79
	JFHVA48FBC10750	JFHVA48FBC30750*	1005	7 1/2	29810	82

For three phase motors, substitute "*" with "M" for 230/460 volt (If 208V required please specify) or "P" for 575 volt

OPTIONAL CONSTRUCTION: "T" - Jet Fan with Cabinet, Snout, and Straightening Vanes;
"FOC" - Same as above, but with a Face Damper & Controls;
"FBC" - Fan complete with Face and Bypass & Controls (standard)

FEATURES

- Sturdily constructed of galvanized steel with cast aluminum fan blades.
- Outlet duct with straightening vanes to attach air tube.
- TEFC motors are standard.
- Adjustable motor base.
- Large access door hinged and latched on bottom (all models).
- Face and bypass dampers (FBC and FOC optional construction).
- Modulating damper motors (FBC and FOC optional construction).
- Transformers & Remote thermostats (FBC and FOC optional construction).
- NEMA control box enclosure (FBC & FOC optional construction).
- All face and bypass damper linkage enclosed inside cabinet (FBC).
- Optional construction available.

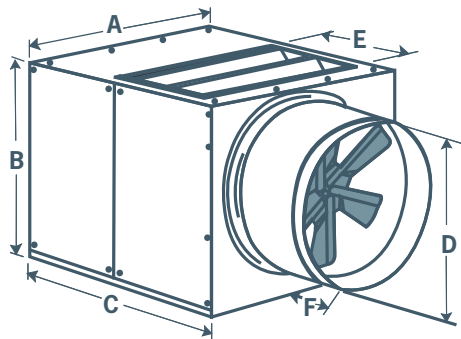


Non-stock, made-to-order products are non-returnable and cannot be cancelled.

DIMENSIONS

Fan Size	A	B	C	D	F
24"	32"	32"	36"	25"	18 7/8"
30"	38"	38"	42"	31"	18 7/8"
36"	44"	44"	48"	37"	26 3/4"
42"	50"	50"	54"	42 7/8"	24 1/4"
48"	56"	56"	60"	48 7/8"	27 1/4"

*Please note that this fan is currently under review and the dimensions may change. Please call for details.



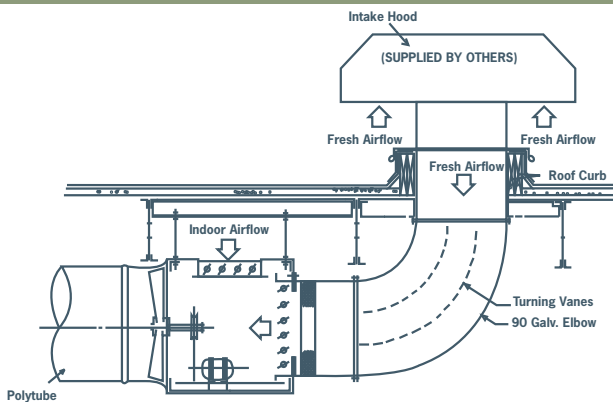
OPTIONS

Canarm supplies the Make-Up fan only. All other components are supplied by others.

- Polyethylene Fabric Ducts
- Face Dampers (by Canarm)
- Drawband
- Cables
- Roof Curb
- Intake Wall & Roof Hoods
- Reducer
- Hardware Kit

TYPICAL INSTALLATIONS

TYPICAL INSTALLATION - ROOF MOUNT



TYPICAL INSTALLATION - SIDEWALL MOUNT

