

5 YEAR LIMITED WARRANTY

"Thank you" for purchasing our product. It is our policy to furnish you with high quality products at a fair price. With proper installation your fan should provide you with years of money saving comfort.

This fan is guaranteed to be free from defects in workmanship and Material for a period of five (5) years from date of purchase. Within the first (1) year from date of purchase any defective product should be returned to your **RETAIL OUTLET** along with proof of purchase. For the balance of the warranty, four (4) years, the **MOTOR WINDINGS ONLY** shall be free of defects. We will correct such defects or replace the motor assembly at our option if the product is returned, **FREIGHT PREPAID**, to us. The returned fan must be accompanied by your proof of purchase and a cheque for \$20.00 for handling and labour charges. All costs of removing and re-installing the product are **YOUR RESPONSIBILITY** damage to any part as such by accident, misuse, improper installation or by affixing any accessories **IS NOT** covered by this warranty. As a result of varying climatic conditions in your area this warranty does not cover any changes in finishes, including rusting, pitting, corroding, tarnishing or peeling.

WARRANTY VOID: In cases of alteration, abuse, installation not in accordance with instructions or REMOVAL of the CSA Sticker.

10/21

This manual is used for following model series. 18

CF52 series
CF52REX and CF52XXX

NOTE: XXX indicates series name.

CF-2C
11/23

harmonizedhome
CANARMNA®



NEED HELP?

Call or Email us first

Our service team is ready to answer your questions...

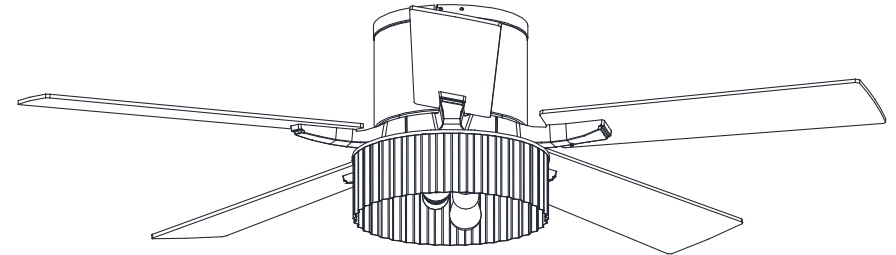
1-800-265-1833 (English) / 1-800-567-2513 (French)

Monday – Friday
8 AM - 5 PM EST.

IN CANADA - ressalescanada@canarmna.ca - IN USA - ressalesusa@canarmna.ca

INSTALLATION INSTRUCTIONS

HUGGER STYLE



INSTRUCTIONS PERTAINING TO RISK OF FIRE OR INJURY TO PERSONS
READ ALL INSTRUCTIONS



**IMPORTANT SAFETY
INSTRUCTIONS**
SAVE THESE INSTRUCTIONS
INSTALLATION AND WIRING TO BE IN ACCORDANCE WITH CEC,
NEC, LOCAL ELECTRICAL CODES and ANSI/NFPA 70.
Consult a qualified electrician if you are not familiar with wiring.

TOOLS AND MATERIALS REQUIRED

- Philips Screw Driver
- Blade Screw Driver
- Step Ladder
- Wire Cutters
- Wiring supplies as required by electrical code.

NOTE: FOR OPTIMUM QUIETNESS, FULLY ASSEMBLE FAN AND RUN 24 HOURS

2157 Parkedale Ave.,
Brockville, Ontario
K6V 5V6
PH: (613) 342-5424
FX: (613) 342-8437

2555 Rue Bernard
Lefebvre Laval, Quebec
H7C 0A5
PH: (450) 665-2535
FX: (450) 665-0910

**Supplier's Declaration of Conformity
47 CFR § 2.1077 Compliance Information**

Unique Identifier: CANARMNA
Responsible Party

Canarm Inc.
709 East Main Street, Teutopolis, Illinois, USA 62467
1.800.267.4427

This equipment has been tested and found to comply with the limits for a Class B digital device, pursuant to Part 15 of the FCC Rules. These limits are designed to provide reasonable protection against harmful interference in a residential installation. This equipment generates, uses and can radiate radio frequency energy and, if not installed and used in accordance with the instructions, may cause harmful interference to radio communications. However, there is no guarantee that interference will not occur in a particular installation. If this equipment does cause harmful interference to radio or television reception, which can be determined by turning the equipment off and on, the user is encouraged to try to correct the interference by one or more of the following measures:


- Reorient or relocate the receiving antenna.
- Increase the separation between the equipment and receiver.
- Connect the equipment into an outlet on a circuit different from that to which the receiver is connected.
- Consult the dealer or an experienced radio/TV technician for help.

CAUTION:

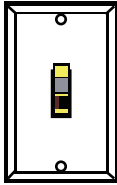
Any changes or modifications not expressly approved by the grantee of this device could void the user's authority to operate the equipment. This device complies with Part 15 of the FCC Rules. Operation is subject to the following two conditions: (1) This device may not cause harmful interference, and (2) this device must accept any interference received, including interference that may cause undesired operation.

This device contains licence-exempt transmitter(s)/receiver(s) that comply with Innovation, Science and Economic Development Canada's licence-exempt RSS(s). Operation is subject to the following two conditions:


1. This device may not cause interference.
2. This device must accept any interference, including interference that may cause undesired operation of the device.




WARNING: Do NOT install this fan with variable speed wall control or wall-mounted dimmer switch. It will permanently damage the fan's remote control and cause the fan's function to fail.



ON / OFF switch



NO Variable speed wall control



NO Dimmer switch

ASSEMBLY DRAWING

- A. Mounting Bracket
- B. Fan Motor Assembly
- C. Decorative Motor Housing
- D. Light Kit Shade
- E. Light Kit
- F. Blade Bracket
- G. Blade
- H. Remote Control
- I. Bulb

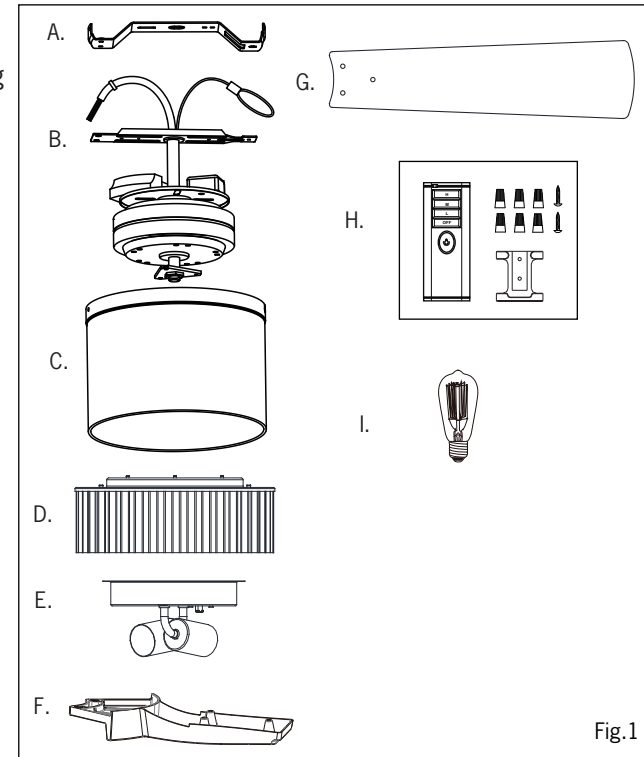


Fig.1

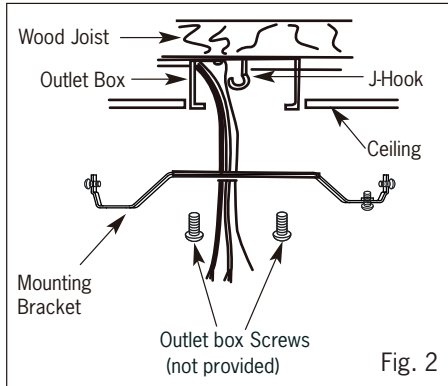
INSTALLATION

NOTE: All set screws must be checked and retightened where necessary, before and after installation.

1. INSTALL MOUNTING BRACKET

WARNING: To Reduce The Risk Of Fire, Electric Shock, Or Personal Injury, Mount To UL/CSA Listed Outlet Box Marked Acceptable for Fan Support And Use Mounting Screws Provided With The Outlet Box.

- Install J-Hook through centre of outlet box and into the wooden joist.
- Mount "mounting bracket" to outlet box using outlet box screws.



2. ELECTRICAL HOOK UP

- There are several different wiring combinations that can be used in controlling your ceiling fan to meet your specific requirements. Should the following method not meet your requirements call or visit your nearest distributor for a full list of fan accessories.

CAUTION
Green Wire - GROUND Black Wire (Fan) - POWER White Wire (Fan) - COMMON
SEE SAFETY PRECAUTIONS ON PG. #2 BEFORE WIRING

TROUBLESHOOTING

TROUBLE

SUGGESTIONS

1. Fan will not start
 - Check wiring connections to fan.
 - Check fuses and circuit breakers.
 - Check wiring connections in switch housing.
 - CAUTION: Turn power off for last two items.**
2. Fan sounds noisy
 - Check to make sure that all screws in motor housing are snug.
 - Check to make sure that blade bracket screws are tight.
 - Check to make sure that wire nuts in switch housing are not rattling against wall of switch housing.
 - If fan has a light kit make sure switch housing screws and set screws are tight.
 - Some fan motors are sensitive to signals from solid state variable controls. If solid state controller is used, change to an alternative control. (See a representative for a list of available controls.)
 - Allow a 24 hour break in period to eliminate most noises.
3. Fan wobbles or shakes excessively.
 - Check that all blades are screwed firmly into blade brackets.
 - Check that blade brackets are secured firmly to motor.
 - Check distance from tip of blades to ceiling.
 - Check distance between blade tip to blade tip. All measurements should be equal. Loosen blade screws and position blade until even then re-tighten.
 - Check that the downrod hemisphere notch is engaged in canopy.
 - Check to make sure that jam screws in downrod are tightened.
 - Make sure canopy and mounting bracket are tightened securely to wooden joist.
 - Make sure warpage has not occurred in wooden blades. If so, contact the customer service department for replacement parts.

8.

LIGHT KITS (Optional in some fans)**WARNING: BE SURE TO TURN OFF POWER BEFORE INSTALLING**

- Remove light kit screws and washers.
- Connect polarized connectors of light kit to corresponding connectors found in light kit shade.
- Secure the light kit with three light kit screws and washers.
- Install proper wattage and type of bulb identified on light kit.

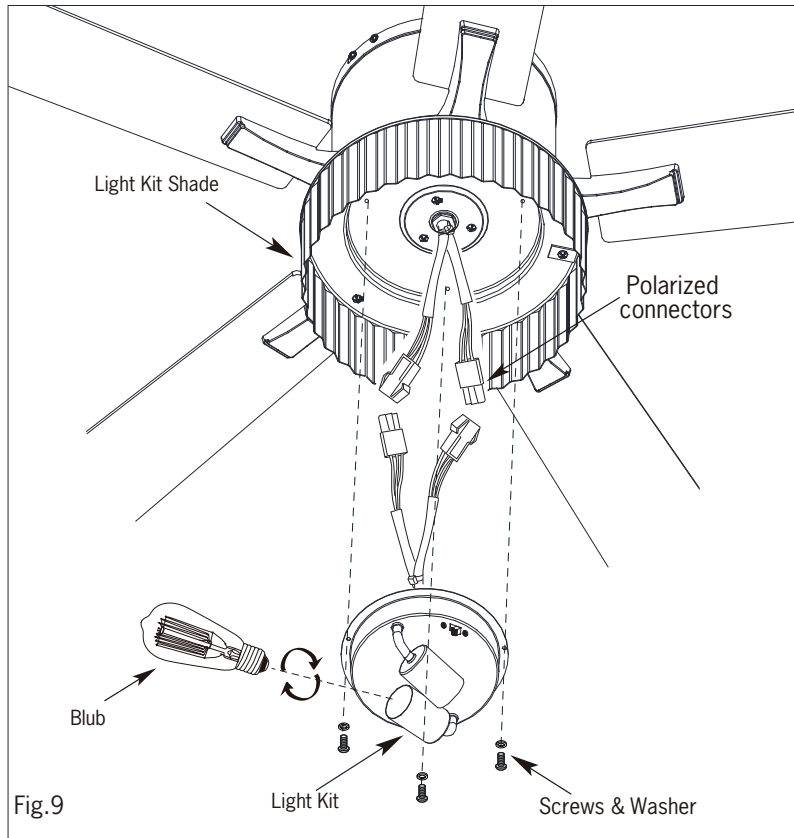


Fig.9

WARNING: Ensure that all connections, set screws and screws are securely tightened before the next step.

2.

ELECTRICAL HOOK UP (Continued)

A

- Hang fan on mounting bracket by holding motor so that inside of motor is pointing down, insert "T" slot style end of motor bracket into rectangular cut out in mounting bracket. **NOTE:** Remove screw and lock washer from "T" slot end of motor bracket before hanging

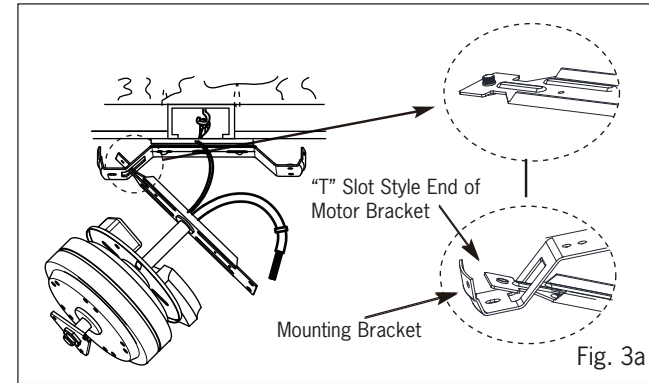


Fig. 3a

B

- Connect ground wire from outlet box to green wire on the motor using a wire nut (not supplied).
 - Connect white wire from outlet box to white wire from fan using wire nut (not included).
 - Connect black wire from outlet box to black wire from fan plus (blue wire) using a wire nut (not included).
- NOTE:** Blue wire would be power for a light kit if applicable.
- After making the wire connections, ensure the wires should be spread apart with the grounded conductor and the equipment-grounding conductor on one side of the outlet box and the ungrounded conductor on the other side of the outlet box. 15
 - Ensure the splices after being made should be turned upward and pushed carefully up into the outlet box. 16

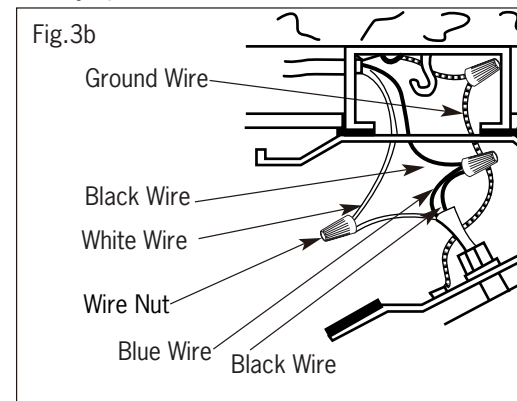


Fig.3b

NOTE: Once wires are connected, carefully tuck all wires and wire nuts into the metal outlet box making sure that the wires are clear of the hemisphere and downrod when positioned in mounting bracket.

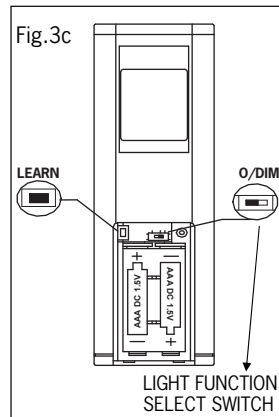
2.

ELECTRICAL HOOK UP (Continued)**LEARNING PROCESS**

C

WARNING: Bypassing the remote and directly wiring fan or light voids warranty and will render the fan and light kit inoperable. Only use supplied remote control to operate the fan and light kit.

- After installation of the fan, power on the fan. Open battery cover and install battery, DC1.5V/ AAA*2 pcs that are not included. Use a ball pen to press and hold the "LEARN" key for 1-3 seconds.
- FAN will be turned "OFF" and then "ON" at medium speed. This indicates the learning process is completed.
- **Please GO through this learning process within 30 seconds after power on.**
- If just replace batteries, no need to re-learn.
- Please note that the transmitter can learn in multiple receiver while doing learning process.
- **Please make sure NOT to turn on other fans while learning.**

**LIGHT FUNCTION SELECT SWITCH**

- If a fluorescent lamp is used, slide the function switch to "O" position.
- If a regular incandescent lamp is used, slide switch to the "DIM" position.

INSTRUCTIONS

The slide switch is for forward/reverse rotation.

In cold weather: Set to reverse rotation (clockwise). Airflow will be directed upward, circulating warm air.

In warm weather: Set to forward rotation (counter-clockwise). Airflow will be directed downward, circulating cold air.

REMOTE CONTROL

Install DC1.5V/AAA*2pcs battery (not included). Operation buttons on the remote:

HI : Turn on the fan at high speed

MED : Turn on the fan at medium speed

LOW : Turn on the fan at low speed

OFF : Turn off the ceiling fan

LIGHT ON/OFF: Press and release immediately to turn on or off the light.

DIMMER- Press and hold to dim or brighten lights to the desired level and release. (Incandescent light bulbs or dimmable LED bulb only).

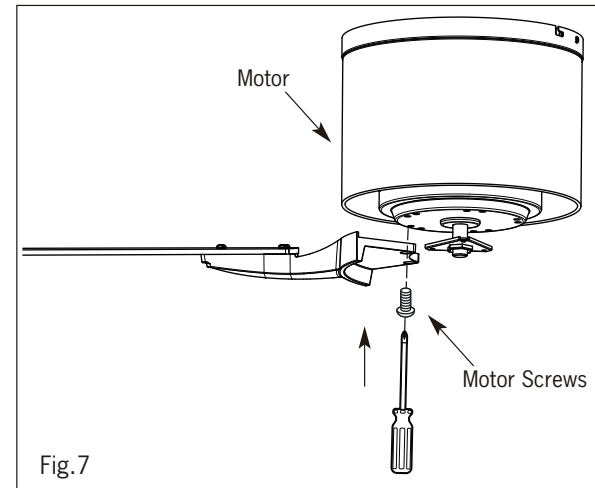
*Hold down to increase or decrease the light.

The light has a memory function so the light will stay at the same brightness as the last time it was turned off.

6.

MOUNTING BLADES TO MOTOR

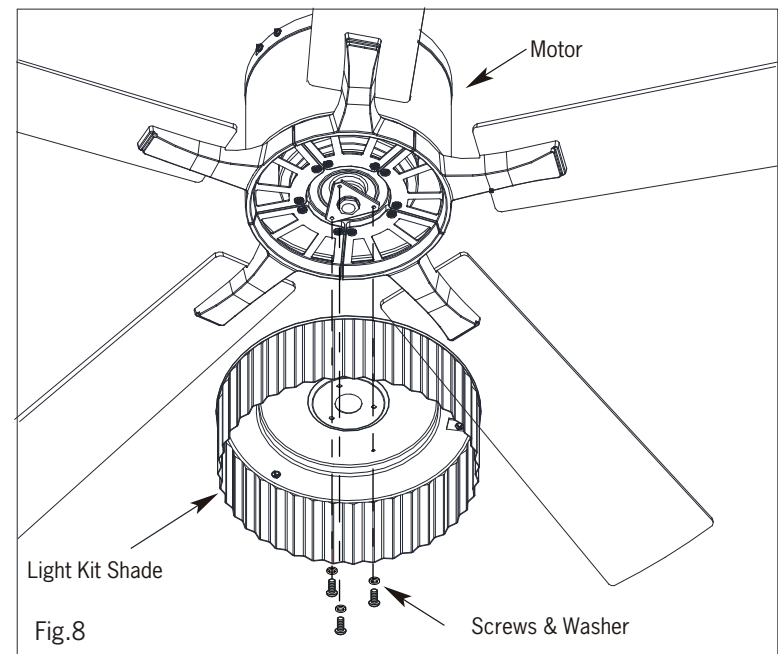
- Insert the blade arm into the fan as shown.
- Tighten the blade arm to motor with the screw and lock washer as shown.
- Slightly turn the blade after installation and repeat the same step for the other blades.



7.

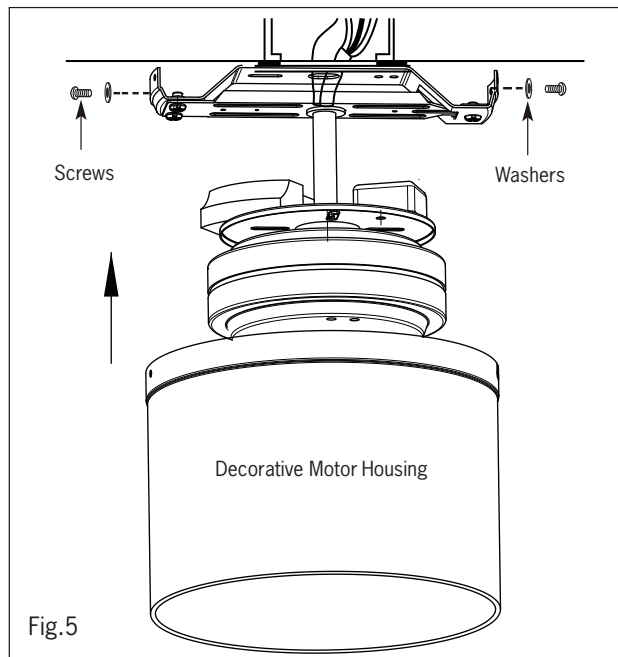
MOUNTING LIGHT KIT SHADE TO MOTOR

- Attach the light kit shade to the motor using 3 screws and washers as shown.



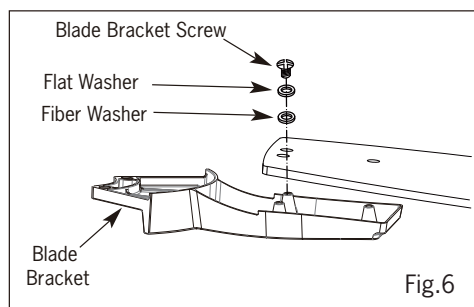
4. INSTALL DECORATIVE MOTOR HOUSING

- Remove 4 screws and washers from sides of mounting bracket.
- Position decorative motor housing so that the holes in housing align with holes in mounting bracket.
- Tighten decorative motor housing using the 4 screws and washers previously removed.



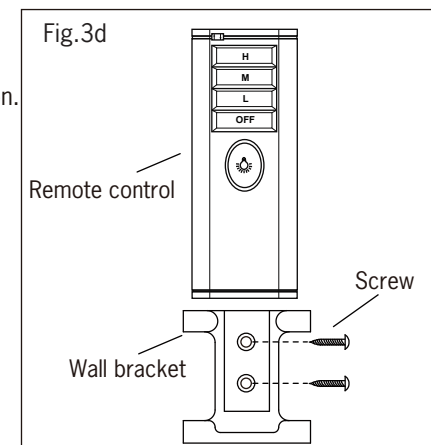
5. MOUNT BLADE BRACKETS TO BLADES

- Place blade bracket screw through flat washer, fiber washer and blade.
- Align with corresponding hole in blade bracket.
- Repeat with (2) remaining screws and tighten.



2. ELECTRICAL HOOK UP (Continued) INSTALLING THE REMOTE CONTROL WALL BRACKET

- D** If desired, the wall bracket can be installed to house the remote control.
- Use the screws to secure the wall bracket at the desired mounting location.
 - Place the remote control into the wall bracket.



3. MOUNT MOTOR TO MOUNTING BRACKET

- Place the looped end of the safety cable over the JHook.
- Remove the four bottom screws and washers from the mounting bracket.
- Remove the temporary hanging hook.
- Align motor with mounting bracket and slide in place until the four holes line up.
- Tighten motor to mounting bracket using the four screws and washers previously removed.
- Neatly tuck all electrical wires into outlet box.

