

5 YEAR LIMITED WARRANTY

"Thank you" for purchasing our product. It is our policy to furnish you with high quality products at a fair price. With proper installation your fan should provide you with years of money saving comfort.

This fan is guaranteed to be free from defects in workmanship and Material for a period of five (5) years from date of purchase. Within the first (1) year from date of purchase any defective product should be returned to your **RETAIL OUTLET** along with proof of purchase. For the balance of the warranty, four (4) years, the **MOTOR WINDINGS ONLY** shall be free of defects. We will correct such defects or replace the motor assembly at our option if the product is returned, **FREIGHT PREPAID**, to us. The returned fan must be accompanied by your proof of purchase and a cheque for \$20.00 for handling and labour charges. All costs of removing and re-installing the product are **YOUR RESPONSIBILITY** damage to any part as such by accident, misuse, improper installation or by affixing any accessories **IS NOT** covered by this warranty. As a result of varying climatic conditions in your area this warranty does not cover any changes in finishes, including rusting, pitting, corroding, tarnishing or peeling.

WARRANTY VOID: In cases of alteration, abuse, installation not in accordance with instructions or REMOVAL Of the CSA Sticker.

10/21

This manual is used for following model series. 18

CF52 series
CF52ROM and CF52XXX

NOTE: XXX indicates series name.

CF-24D
LED
11/23

harmonizedhome
CANARMNA®



NEED HELP?
Call or Email us first

Our service team is ready to answer your questions...

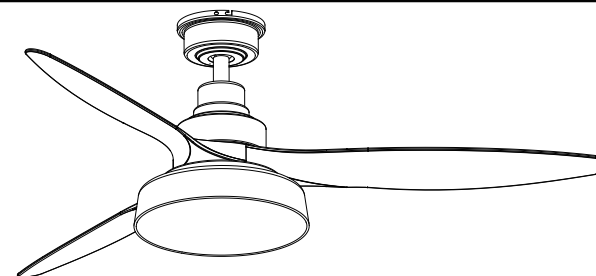
1-800-265-1833 (English) / 1-800-567-2513 (French)

Monday – Friday
8 AM - 5 PM EST.

IN CANADA - resalescanada@canarmna.ca - IN USA - resalesusa@canarmna.ca

INSTALLATION INSTRUCTIONS

DOWNROD MOUNT SERIES



"INSTRUCTIONS PERTAINING TO RISK OF FIRE OR INJURY TO PERSONS"
"READ ALL INSTRUCTIONS"



**"IMPORTANT SAFETY
INSTRUCTIONS"**
"SAVE THESE INSTRUCTIONS"

INSTALLATION AND WIRING TO BE IN ACCORDANCE WITH CEC,
NEC, LOCAL ELECTRICAL CODES and ANSI/NFPA 70.

Consult a qualified electrician if you are not familiar with wiring.

TOOLS AND MATERIALS REQUIRED

- Philips Screw Driver
- Blade Screw Driver
- Step Ladder
- Wire Cutters
- Wiring supplies as required by electrical code.

NOTE: FOR OPTIMUM QUIETNESS, FULLY ASSEMBLE FAN AND RUN 24 HOURS

2157 Parkedale Ave.,
Brockville, Ontario
K6V 5V6
PH: (613) 342-5424
FX: (613) 342-8437

2555 Rue Bernard
Lefebvre Laval, Quebec
H7C 0A5
PH: (450) 665-2535
FX: (450) 665-0910

SAFETY PRECAUTIONS

1. Turn off power at main electrical service box before starting installation. ¹⁴
2. Electrical connections must comply with local code ordinances, national electrical codes, CEC, NEC and ANSI/NFPA 70. ¹³
3. Make sure the installation site you choose allows the fan blades to rotate freely without any obstructions.
4. When mounting the fan on a ceiling outlet box, Use an approved (CSA for Canada and UL for U.S.) ceiling fan box marked "**FOR FAN SUPPORT**". Ensure the outlet box is securely installed in place such that it is able to support at least the fan weight.
5. **WARNING:** To reduce the risk of fire, electric shock, or other personal injury, mount fan only on an outlet box or supporting system marked acceptable for fan support of 35 lbs (15,9 kg) or less and use the mounting screws provided with the outlet box. Most outlet boxes commonly used for the support of lighting fixtures are not acceptable for fan support and may need to be replaced. Consult a qualified electrician if in doubt.
6. The fixing means for attachment to the ceiling such as hooks or other devices shall be fixed with a sufficient strength to withstand 4 times the weight of the ceiling fan. ⁷
7. The mounting of the suspension system shall be performed by the manufacturer, its service agent or suitably qualified persons. ⁸
8. This ceiling fan is pre-built with luminaire. Do not use any other luminaire for this fan. ⁹
9. This appliance is not intended for use by persons (including children) with reduced physical, sensory or mental capabilities, or lack of experience and knowledge, unless they have been given supervision or instruction concerning use of the appliance by a person responsible for their safety. ¹
10. Children should be supervised to ensure that they do not play with the appliance. ²
11. Total Fan Weight For Reference: 52"approximate 4.8 kgs(10.58lbs). ⁵

WARNING

- To reduce the risk of fire or electrical shock, **ONLY** use model DCQ011 remote control for optional remote control adaptability.
- To reduce the risk of personal injury, **DO NOT** bend the blade brackets when installing the brackets, balancing the blades or cleaning the fan. Also, **DO NOT** insert foreign objects in between rotating fan blades. ¹⁰
- **WARNING: TO REDUCE THE RISK OF FIRE, ELECTRIC SHOCK, OR PERSONAL INJURY, MOUNT TO OUTLET BOX MARKED ACCEPTABLE FOR FAN SUPPORT AND USE MOUNTING SCREWS PROVIDED WITH THE OUTLET BOX.** ¹¹
- Mount with the lowest moving parts at least 2.10 Meters (7 Feet) above floor or grade level.
- **DO NOT** operate reversing switch while fan blades are in motion. Fan must be turn off and rotating blades stopped completely, operate reverse switch and then operate speed switch for the opposite direction.
- Used Batteries must be disposed of according to your local recycling regulations, many retail outlets provide special battery recycling drop off boxes.
- Do not mix battery types or voltages to avoid personal injury and/or damage to the fan and remote control.
- Direct wiring to an external variable speed wall control or dimmer switch of this fan and or external light kit will void warranty and make fan and light inoperable.

MAINTENANCE

- When properly maintained, fans can be expected to give years of trouble free operation.
- Properly maintained fans must be inspected every 3 months for vibration and wear on the support mechanism and that all screws, nuts, etc. are tight. ⁴
- To clean the fixture, turn off the power, wait for it to cool, and wipe the fixture with a clean, soft cloth.
- The replacement of parts of the safety suspension system device shall be performed by the manufacturer, its service agent or suitably qualified persons. ⁶
- ***WARNING: If unusual oscillating movement is observed, immediately stop using the ceiling fan and contact the manufacturer, its service agent or suitably qualified persons.*** ³
- Refer to (Fig. 12) for maintenance schedule

DATE INSTALLED:		
Visible Vibration Check Every 3 Months	Support Mechanism Refer to Installation Instructions (Every 3 Months)	Screws Refer to Installation Instructions (Every 3 Months)

Fig.12

**Supplier's Declaration of Conformity
47 CFR § 2.1077 Compliance Information**

Unique Identifier: CANARMNA
Responsible Party

Canarm Inc.
709 East Main Street, Teutopolis, Illinois, USA 62467
1.800.267.4427

This equipment has been tested and found to comply with the limits for a Class B digital device, pursuant to Part 15 of the FCC Rules. These limits are designed to provide reasonable protection against harmful interference in a residential installation. This equipment generates, uses and can radiate radio frequency energy and, if not installed and used in accordance with the instructions, may cause harmful interference to radio communications. However, there is no guarantee that interference will not occur in a particular installation. If this equipment does cause harmful interference to radio or television reception, which can be determined by turning the equipment off and on, the user is encouraged to try to correct the interference by one or more of the following measures:


- Reorient or relocate the receiving antenna.
- Increase the separation between the equipment and receiver.
- Connect the equipment into an outlet on a circuit different from that to which the receiver is connected.
- Consult the dealer or an experienced radio/TV technician for help.

CAUTION:

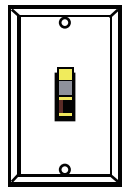
Any changes or modifications not expressly approved by the grantee of this device could void the user's authority to operate the equipment. This device complies with Part 15 of the FCC Rules. Operation is subject to the following two conditions: (1) This device may not cause harmful interference, and (2) this device must accept any interference received, including interference that may cause undesired operation.

This device contains licence-exempt transmitter(s)/receiver(s) that comply with Innovation, Science and Economic Development Canada's licence-exempt RSS(s). Operation is subject to the following two conditions:


1. This device may not cause interference.
2. This device must accept any interference, including interference that may cause undesired operation of the device.




WARNING: Do NOT install this fan with variable speed wall control or wall-mounted dimmer switch. It will permanently damage the fan's remote control and cause the fan's function to fail.



ON / OFF switch



NO Variable speed wall control



NO Dimmer switch

ASSEMBLY DRAWING

- A. Mounting Bracket
- B. Canopy
- C. Downrod Assembly
- D. Yoke Cover
- E. Fan Motor Assembly
- F. Light Kit
- G. Glass Panel
- H. Diffuser
- I. Remote Control
- J. Fan Blade

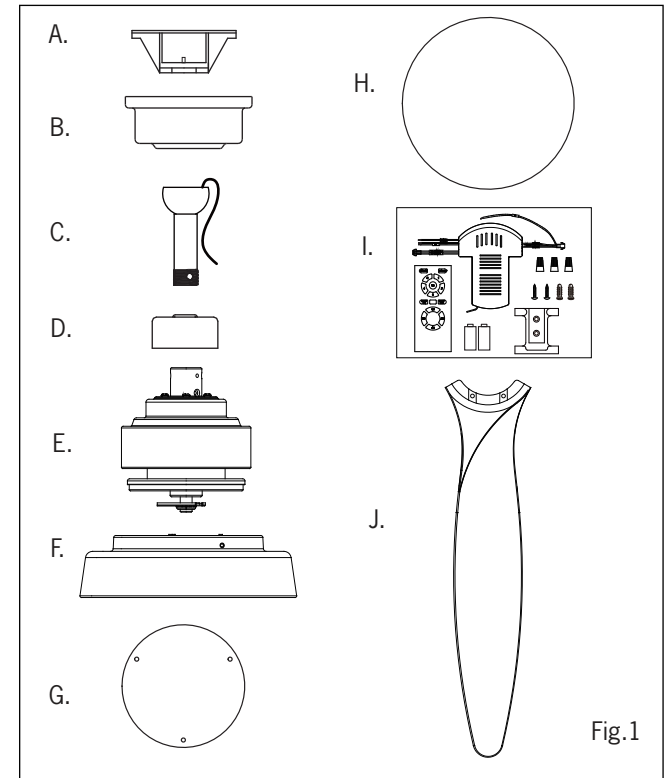


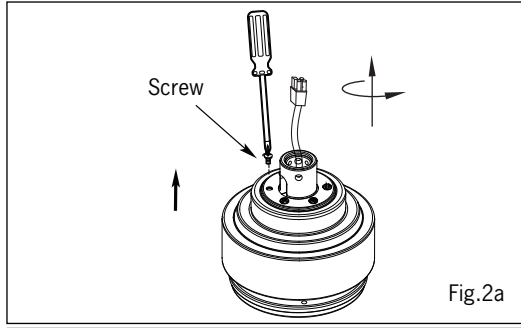
Fig.1

INSTALLATION

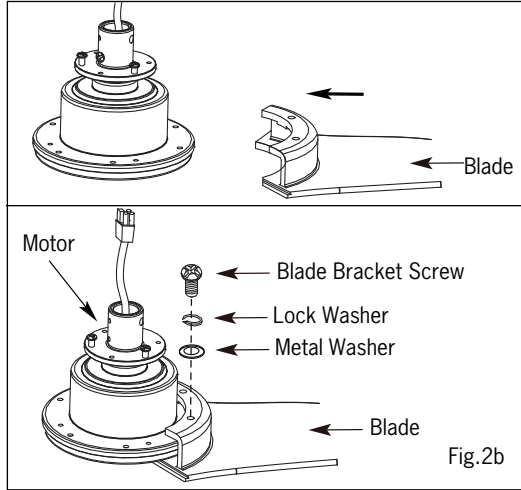
NOTE: All set screws must be checked and retightened where necessary, before and after installation.

1. ATTACH THE FAN BLADES

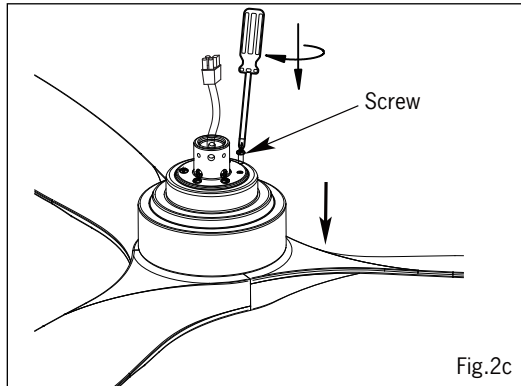
- Remove the cover on the top housing.



- Attach the blades to the fan motor assembly using the Blade Bracket Screws, Metal Washer and Lock Washer. Slightly turn the blade after installation and repeat the same step for the other blades.



- Re-attach the cover to the top housing.



TROUBLESHOOTING SUGGESTIONS

- | <u>TROUBLE</u> | <u>SUGGESTIONS</u> |
|---------------------------------------|---|
| 1. Fan will not start | <ul style="list-style-type: none">- Check fuses and circuit breakers.- Check wiring connections to fans.- Check wiring connections in switch housing. <p>CAUTION: Turn power off for last two items.</p> |
| 2. Fan sounds noisy | <ul style="list-style-type: none">- Check to make sure that all screws in motor housing are snug.- Check to make sure that blade bracket screws are tight.- Check to make sure that wire nuts in switch housing are not rattling against wall of switch housing.- If fan has a light kit make sure switch housing screws and set screws are tight.- Some fan motors are sensitive to signals from solid state variable controls. If solid state controller is used, change to an alternative control. (See a representative for a list of available controls.)- Allow a 24 hour break in period to eliminate most noises. |
| 3. Fan wobbles or shakes excessively. | <ul style="list-style-type: none">- Check that all blades are screwed firmly into blade brackets.- Check that blade brackets are secured firmly to motor.- Check distance from tip of blades to ceiling.- Check distance between blade tip to blade tip. All measurements should be equal. Loosen blade screws and position blade until even then re-tighten.- Check that the downrod hemisphere notch is engaged in canopy.- Check to make sure that jam screws in downrod are tightened.- Make sure canopy and mounting bracket are tightened securely to wooden joist.- Make sure warpage has not occurred in fan blades. If so, contact the customer service department for replacement parts. |

LIGHT KITS (Optional in some fans)

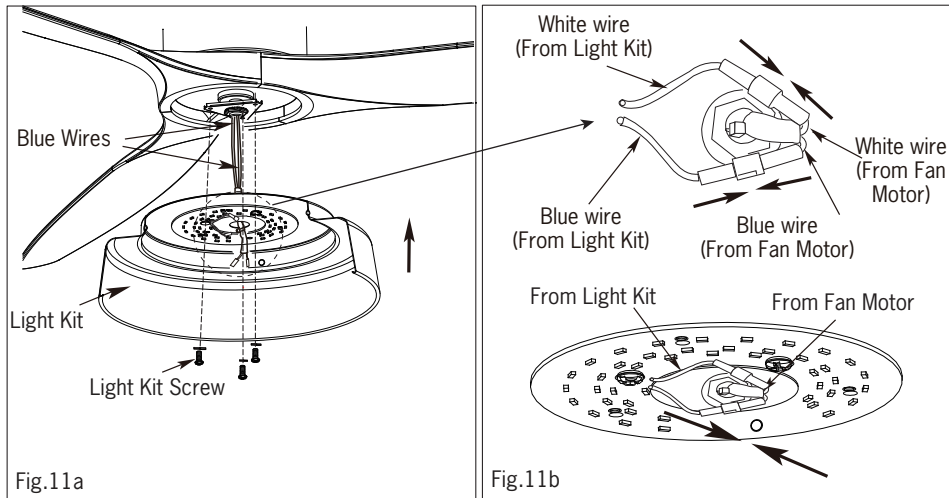


Fig.11a

Fig.11b

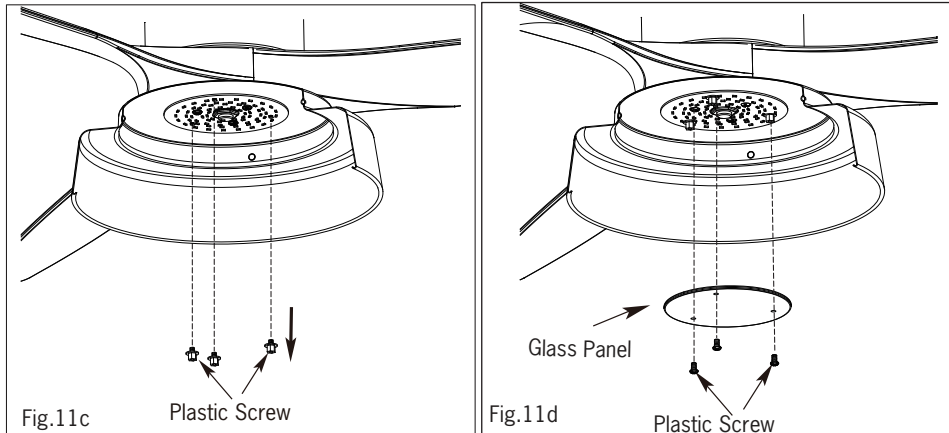


Fig.11c

Fig.11d

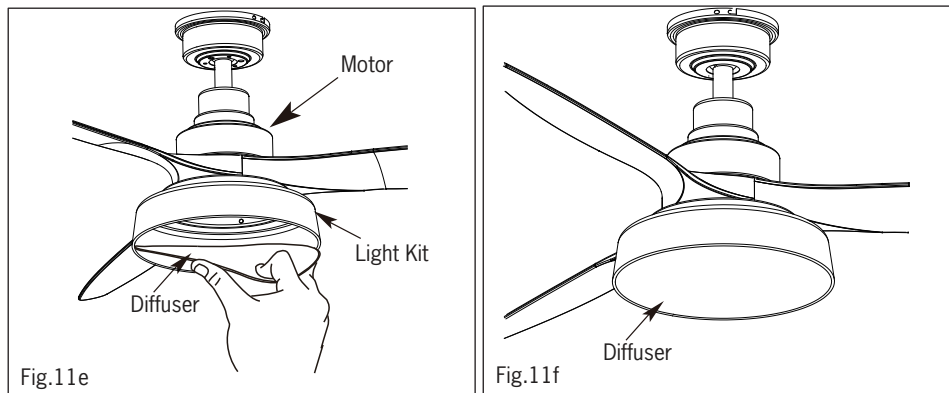


Fig.11e

Fig.11f

WARNING: Ensure that all connections, set screws and screws are securely tightened before the next step.

MOUNTING DOWNROD MOUNT

- Remove the canopy from mounting bracket by loosening the 4 screws.
- Remove the hemisphere from downrod by loosening the hemisphere jam screw and lock pin.
- Remove Bolt, flat and cotter pin from the yoke. Slightly loosening the 2 jam screws on the yoke.
- Route the wires and safety cable through the downrod and screw the downrod into the yoke and align holes for the bolt to go through. **Ensure not to damage the wires.** Place the flat washer and cotter pin to lock the bolt. Re-tighten the 2 jam screws on the yoke
- Slide the yoke cover rubber ring and canopy into the downrod.
- Re-attach the hemisphere into the downrod. Insert the lock pin through the hole of downrod and put the lock pin in place on the hemisphere.
- Tighten the hemisphere jam screw against the downrod.

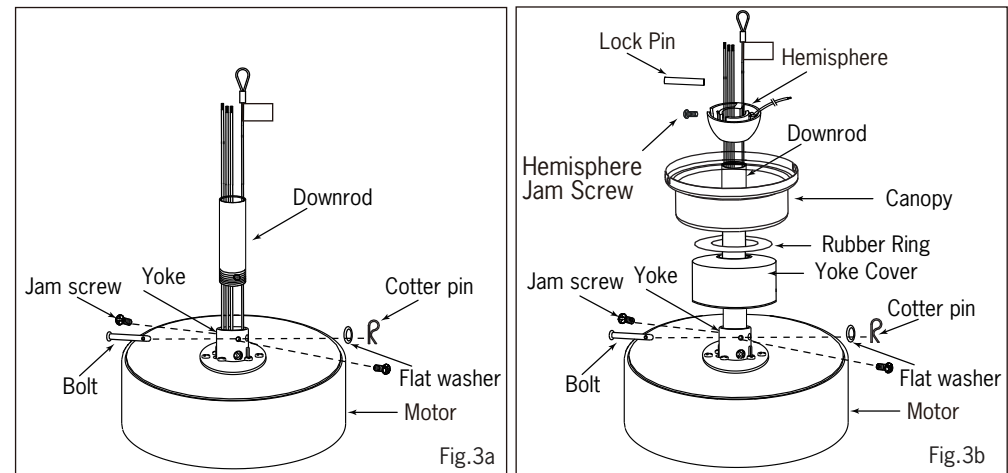


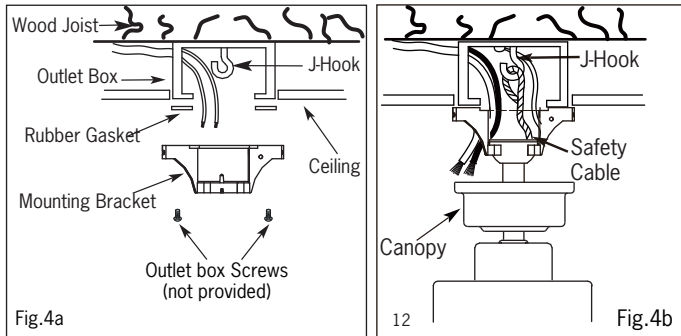
Fig.3a

Fig.3b

3. INSTALL MOUNTING BRACKET

WARNING: To Reduce The Risk Of Fire, Electric Shock, Or Personal Injury, Mount To UL/CSA Listed Outlet Box Marked Acceptable for Fan Support And Use Mounting Screws Provided With The Outlet Box.

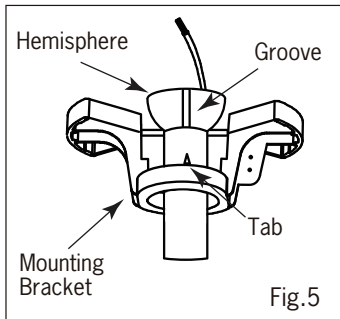
- Install J-Hook through centre of outlet box and into the wooden joist.
- Secure mounting bracket and rubber gaskets to outlet box.
- Hang the safety cable onto the J-hook.
- Hang fan on temporary hook or mounting bracket.



4. ENGAGE HEMISPHERE (Downrod Mount Only)

- Carefully rotate fan assembly until groove in hemisphere locks over tab of canopy assembly.

WARNING: Failure to seat tab in groove could cause damage to electrical wires and possible shock or fire hazard.



NOTE: When installing fan on sloped ceiling, make sure tab on hanger bracket faces towards the top of the slope. Depending on the slope, a longer downrod may be required to prevent fan blades from hitting the ceiling.

5. ELECTRICAL HOOK-UP FUNCTION INSTRUCTION OF EMITTER

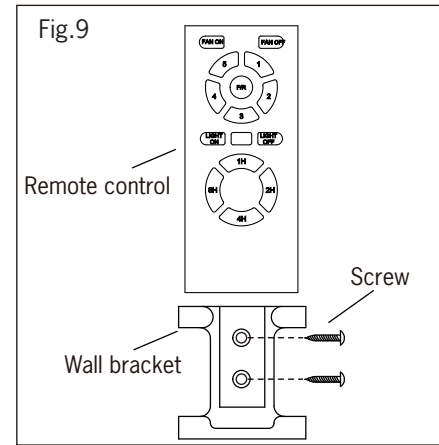
C REMOTE CONTROL

- ① LED indicated light
- ② ON/OFF the fan
- ③ Speed of the fan (①low speed - ⑤high speed)
- ④ Timing control of the fan
- ⑤ Short press: ON/OFF the light
- ⑥ Direction of the fan (reverse switch)
- ⑦ Long press(hold for 3 seconds): Dimming
- ⑧ Two 1.5V AAA Batteries

D INSTALLING THE REMOTE CONTROL WALL BRACKET

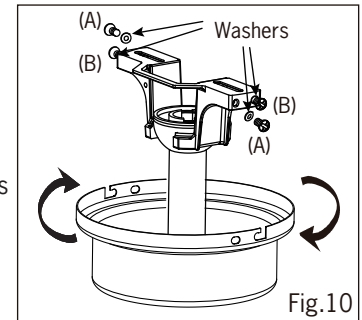
If desired, the wall bracket can be installed to house the remote control.

- Use the screws to secure the wall bracket at the desired mounting location.
- Place the remote control into the wall bracket.



6. MOUNTING FAN ASSEMBLY

- Place two screws and washers on mounting plate (marked B on diagram) which correspond with slots in canopy. Screw in two turns.
- Position canopy to mounting plate aligning slots to screws (marked B on diagram) then turn to lock.
- Position and tighten the two screws and washers (marked A on diagram) then tighten the two screws (marked B on diagram).



7. LIGHT KITS (Optional in some fans)

WARNING: BE SURE TO TURN OFF POWER BEFORE INSTALLING

- Remove light kit screws and washers.
- Connect polarized connectors of light kit to corresponding connectors found in switch housing.
- Install the light kit to the fan motor assembly by tightening 3 screws and washers.
- Remove the 3 plastic screws from light kit.
- Install the glass panel on the light kit by tightening the 3 plastic screws.
- Squeeze and insert the diffuser lens as shown.

5. ELECTRICAL HOOK-UP

NOTE: Once wires are connected, carefully tuck all wires and wire nuts into the metal outlet box making sure that the wires are clear of the hemisphere and downrod when positioned in mounting bracket.

A

- Push all connected wires up into ceiling box.
- Position the receiver into the mounting bracket as shown direction.
- **When installing the canopy, ensure the antenna is not pressed by the canopy.**
- **Ensure to connect all ground wires accordingly.**

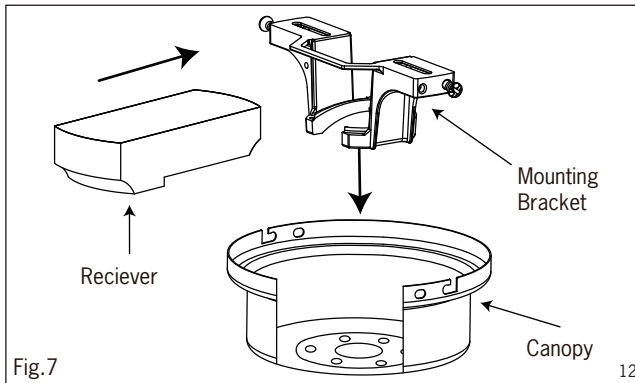


Fig.7

C FUNCTION INSTRUCTION OF EMITTER

WARNING: Bypassing the remote and directly wiring fan or light voids warranty and will render the fan and light kit inoperable. Only use supplied remote control to operate the fan and light kit.

- Learning code and matching mode is used between transmitter and receiver.
- Turn "ON" the supply power. Within 30 seconds, press "FAN ON/OFF" button on the transmitter for 5 seconds. Transmitter and receiver are connected after hearing a long "beep".
- If the transmitter cannot control the fan, check to ensure all wiring connections are properly connected according to the instruction manual. Check to ensure the batteries are in the right position. Check whether there are any similar remote controls in use nearby. Check whether they work with the same frequency.
- Low voltage of battery will affect the sensitivity of the transmitter. The indicator light will flash when battery voltage is low. Replace the batteries for better performance.
- Take out the batteries from the transmitter when leaving unused for long periods of time.

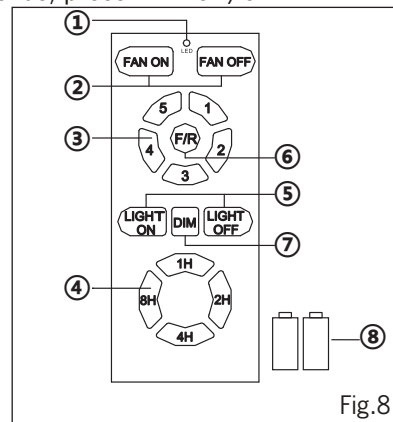


Fig.8

5. ELECTRICAL HOOK-UP

Direct wiring to an external variable speed wall control or dimmer switch of this fan and or external light kit will void warranty and make fan and light inoperable.

A

Make the following wire connections using the wire nuts supplied. 17

- a To the household supply wires
Connect the following 4 GREEN wires to the GREEN supply wire.
 1. GREEN wire from the downrod
 2. GREEN wire from the receiver
 3. GREEN wire from the motor
 4. GREEN wire from the mounting bracket
- Connect BLACK receiver unit wire to BLACK supply wire.
- Connect WHITE receiver unit wire to WHITE supply wire.
- b To the light wires
Connect WHITE receiver wires to the WHITE wire from motor.
Connect BLUE receiver wires to the BLUE wire from motor.
- c To the fan wires
Connect RED receiver wires to the RED wire from motor.
Connect ORANGE receiver wires to the ORANGE wire from motor.
Connect PINK receiver wires to the PINK wire from motor.
- After making the wire connections, ensure the wires should be spread apart with the grounded conductor and the equipment-grounding conductor on one side of the outlet box and the ungrounded conductor on the other side of the outlet box. 15
- Ensure the splices after being made should be turned upward and pushed carefully up into the outlet box. 16
- **Make sure no bare wire is visible at the wire nuts.**
- **Use a cable tie supplied to tighten each group of wires for easy installation.**

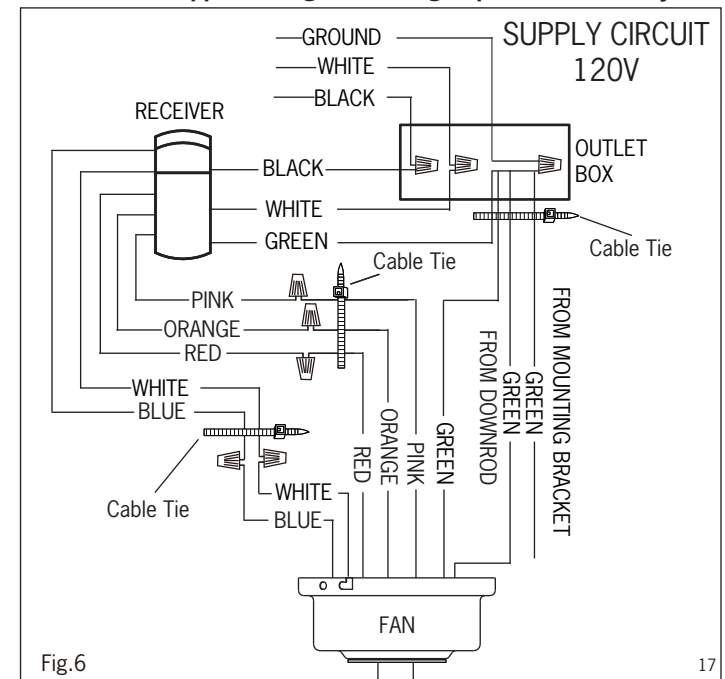


Fig.6

17

In Quebec, the installation of this product must be carried out by a qualified electrician.