

## 5 YEAR LIMITED WARRANTY

**"Thank you"** for purchasing our product. It is our policy to furnish you with high quality products at a fair price. With proper installation your fan should provide you with years of money saving comfort.

This fan is guaranteed to be free from defects in workmanship and Material for a period of five (5) years from date of purchase. Within the first (1) year from date of purchase any defective product should be returned to your **RETAIL OUTLET** along with proof of purchase. For the balance of the warranty, four (4) years, the **MOTOR WINDINGS ONLY** shall be free of defects. We will correct such defects or replace the motor assembly at our option if the product is returned, **FREIGHT PREPAID**, to us. The returned fan must be accompanied by your proof of purchase and a cheque for \$20.00 for handling and labour charges. All costs of removing and re-installing the product are **YOUR RESPONSIBILITY** damage to any part as such by accident, misuse, improper installation or by affixing any accessories **IS NOT** covered by this warranty. As a result of varying climatic conditions in your area this warranty does not cover any changes in finishes, including rusting, pitting, corroding, tarnishing or peeling.

**WARRANTY VOID: In cases of alteration, abuse, installation not in accordance with instructions or REMOVAL Of the CSA Sticker.**

10/21

This manual is used for following model series. 18

CF52 series  
CF52JUD and CF52XXX

NOTE: XXX indicates series name.

CF-19A  
LED  
11/23

harmonizedhome  
CANARMNA®



**NEED HELP?**  
Call or Email us first

Our service team is ready to answer your questions...

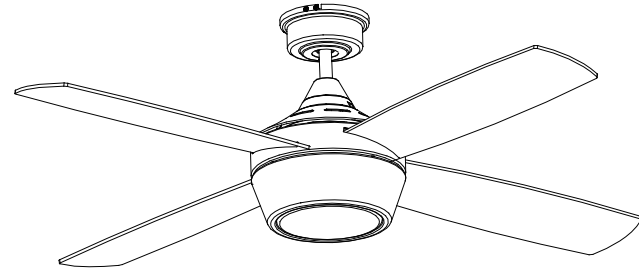
1-800-265-1833 (English) / 1-800-567-2513 (French)

Monday – Friday  
8 AM - 5 PM EST.

IN CANADA - ressalesscanada@canarmna.ca - IN USA - ressalessusa@canarmna.ca

## INSTALLATION INSTRUCTIONS

### DUAL MOUNT SERIES



"INSTRUCTIONS PERTAINING TO RISK OF FIRE OR INJURY TO PERSONS"  
"READ ALL INSTRUCTIONS"



**"IMPORTANT SAFETY  
INSTRUCTIONS"  
"SAVE THESE INSTRUCTIONS"**

INSTALLATION AND WIRING TO BE IN ACCORDANCE WITH CEC,  
NEC, LOCAL ELECTRICAL CODES and ANSI/NFPA 70.  
Consult a qualified electrician if you are not familiar with wiring.

### **TOOLS AND MATERIALS REQUIRED**

- Philips Screw Driver
- Blade Screw Driver
- Step Ladder
- Wire Cutters
- Wiring supplies as required by electrical code.

NOTE: FOR OPTIMUM QUIETNESS, FULLY ASSEMBLE FAN AND RUN 24 HOURS

2157 Parkedale Ave.,  
Brockville, Ontario  
K6V 5V6  
PH: (613) 342-5424  
FX: (613) 342-8437

2555 Rue Bernard  
Lefebvre Laval, Quebec  
H7C 0A5  
PH: (450) 665-2535  
FX: (450) 665-0910



**Supplier's Declaration of Conformity  
47 CFR § 2.1077 Compliance Information**

Unique Identifier: CANARMNA

Responsible Party

CanarmInc.

709 East Main Street, Teutopolis, Illinois, USA 62467

1.800.267.4427

This equipment has been tested and found to comply with the limits for a Class B digital device, pursuant to Part 15 of the FCC Rules. These limits are designed to provide reasonable protection against harmful interference in a residential installation. This equipment generates, uses and can radiate radio frequency energy and, if not installed and used in accordance with the instructions, may cause harmful interference to radio communications. However, there is no guarantee that interference will not occur in a particular installation. If this equipment does cause harmful interference to radio or television reception, which can be determined by turning the equipment off and on, the user is encouraged to try to correct the interference by one or more of the following measures:

- Reorient or relocate the receiving antenna.
- Increase the separation between the equipment and receiver.
- Connect the equipment into an outlet on a circuit different from that to which the receiver is connected.
- Consult the dealer or an experienced radio/TV technician for help.

**CAUTION:**

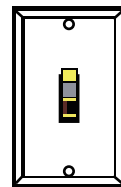
Any changes or modifications not expressly approved by the grantee of this device could void the user's authority to operate the equipment. This device complies with Part 15 of the FCC Rules. Operation is subject to the following two conditions: (1) This device may not cause harmful interference, and (2) this device must accept any interference received, including interference that may cause undesired operation.

This device contains licence-exempt transmitter(s)/receiver(s) that comply with Innovation, Science and Economic Development Canada's licence-exempt RSS(s). Operation is subject to the following two conditions:

1. This device may not cause interference.
2. This device must accept any interference, including interference that may cause undesired operation of the device.



**WARNING:** Do NOT install this fan with variable speed wall control or wall-mounted dimmer switch. It will permanently damage the fan's remote control and cause the fan's function to fail.



**ON / OFF switch**



**NO Variable speed wall control**



**NO Dimmer switch**

**ASSEMBLY DRAWING**

- A. Mounting Bracket
- B. Canopy
- C. Downrod Assembly
- D. Yoke Cover
- E. Fan Motor Assembly
- F. Diffuser
- G. Remote Control
- H. Blade

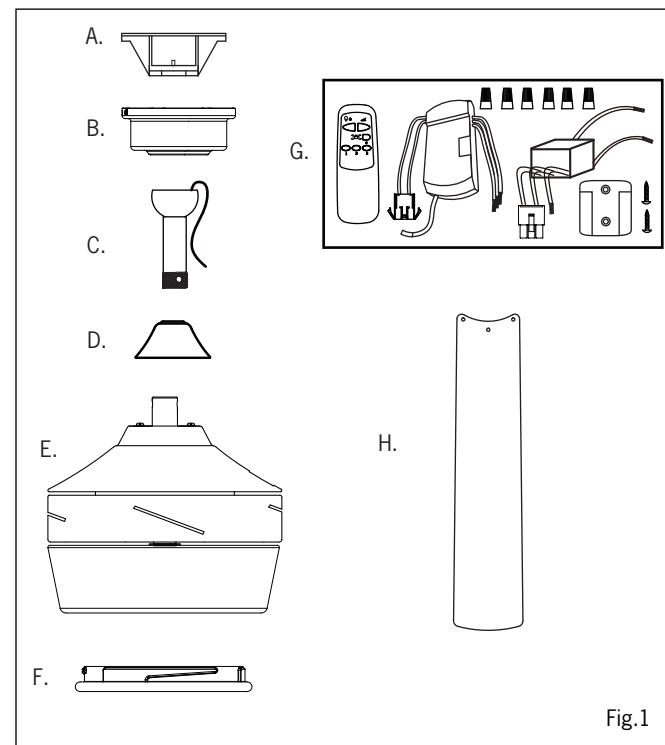


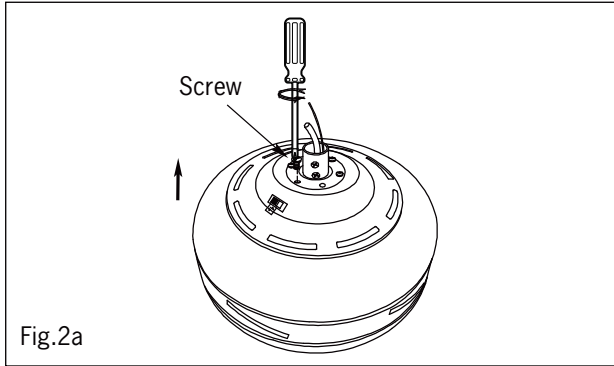
Fig.1

# INSTALLATION

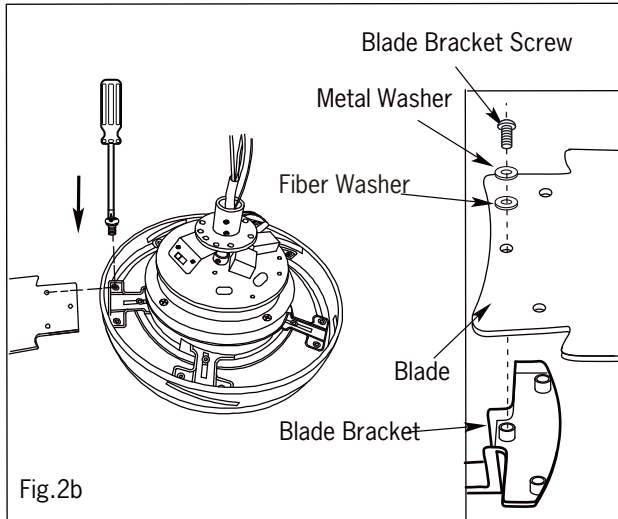
**NOTE: All set screws must be checked and retightened where necessary, before and after installation.**

## 1. ATTACH THE FAN BLADES

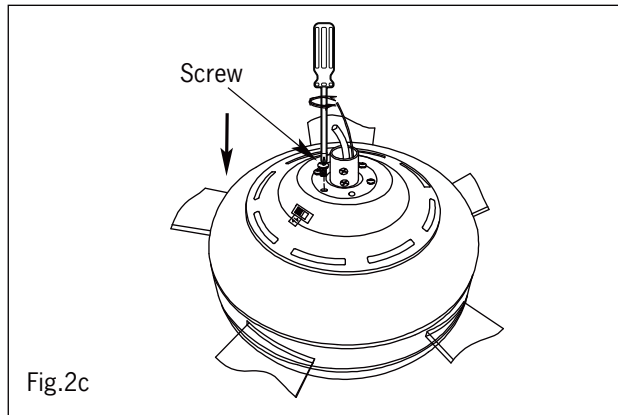
- Remove the cover on the top housing.



- Attach the blades to the fan motor assembly using the screws, metal washer and fibre washer. Slightly turn the blade after installation and repeat the same step for the other blades.



- Re-attach the cover to the top housing.



## TROUBLESHOOTING SUGGESTIONS

### TROUBLE

1. Fan will not start

- Check fuses and circuit breakers.
- Check wiring connections to fan.
- Check wiring connections in switch housing.

**CAUTION: Turn power off for last two items.**

2. Fan sounds noisy

- Check to make sure that all screws in motor housing are snug.
- Check to make sure that blade bracket screws are tight.
- Check to make sure that wire nuts in switch housing are not rattling against wall of switch housing.
- If fan has a light kit make sure switch housing screws and set screws are tight.
- Some fan motors are sensitive to signals from solid state variable controls. If solid state controller is used, change to an alternative control. (See a representative for a list of available controls.)
- Allow a 24 hour break in period to eliminate most noises.

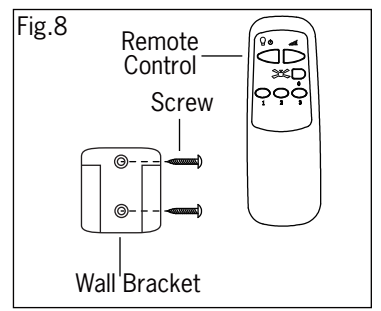
3. Fan wobbles or shakes excessively.

- Check that all blades are screwed firmly into blade brackets.
- Check that blade brackets are secured firmly to motor.
- Check distance from tip of blades to ceiling.
- Check distance between blade tip to blade tip. All measurements should be equal. Loosen blade screws and position blade until even then re-tighten.
- Check that the downrod hemisphere notch is engaged in canopy.
- Check to make sure that jam screws in downrod are tightened.
- Make sure canopy and mounting bracket are tightened securely to wooden joist.
- Make sure warpage has not occurred in fan blades. If so, contact the customer service department for replacement parts.

## 5. ELECTRICAL HOOK-UP

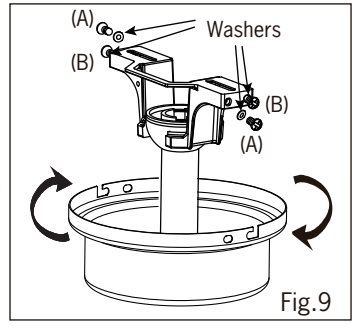
### C INSTALLING THE REMOTE CONTROL WALL BRACKET

- If desired, the wall bracket can be installed to house the remote control.
- Use the screws to secure the wall bracket at the desired mounting location.
  - Place the remote control into the wall bracket.



### 6. MOUNTING FAN ASSEMBLY

- Place two screws and washers on mounting plate (marked B on diagram) which correspond with slots in canopy. Screw in two turns.
- Position canopy to mounting plate aligning slots to screws (marked B on diagram) then turn to lock.
- Position and tighten the two screws and washers (marked A on diagram) then tighten the two screws (marked B on diagram).

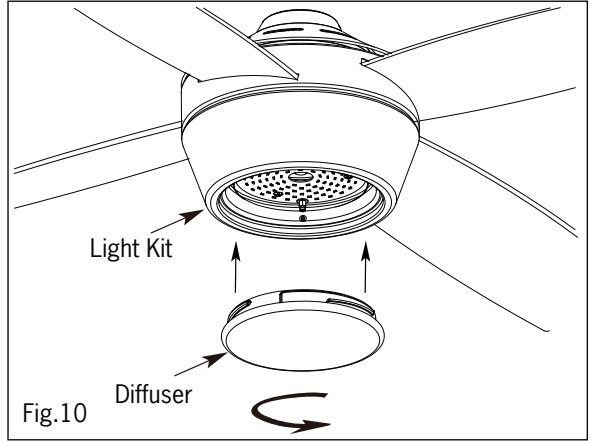


### 7. LIGHT KITS

**DETACHABLE LIGHT KITS** (Refer to one of the following light kits for your model)

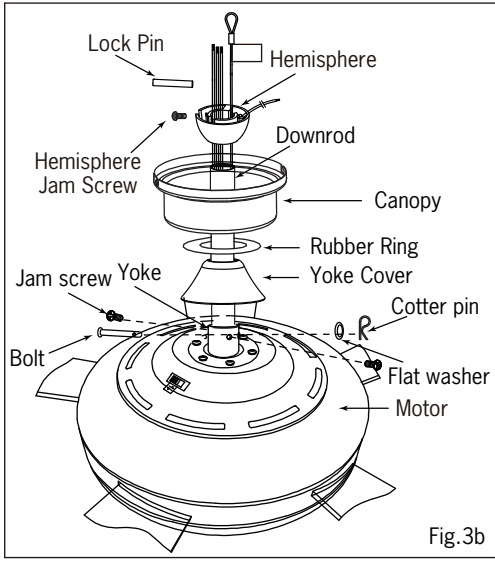
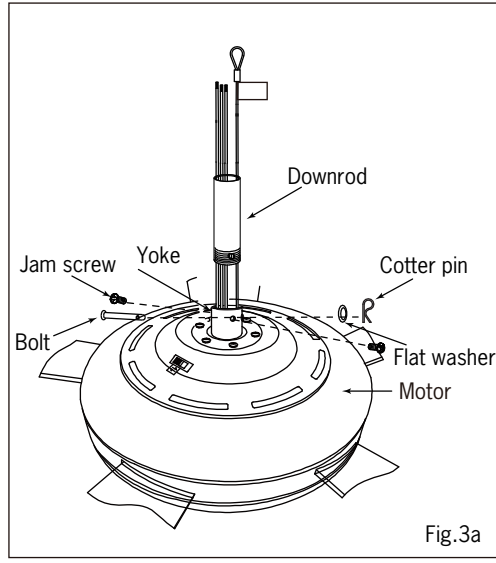
**WARNING: BE SURE TO TURN OFF POWER BEFORE INSTALLING**

- Screw the diffuser to the Light kit.



## 2 MOUNTING OPTION DOWNROD MOUNT

- Remove the canopy from mounting bracket by loosening the 4 screws.
- Remove the hemisphere from downrod by loosening the hemisphere jam screw and lock pin.
- Remove Bolt, flat and cotter pin from the yoke. Slightly loosening the 2 jam screws on the yoke.
- Route the wires and safety cable through the downrod and screw the downrod into the yoke and align holes for the bolt to go through. **Ensure not to damage the wires.** Place the flat washer and cotter pin to lock the bolt. Re-tighten the 2 jam screws on the yoke
- Slide the yoke cover, rubber ring and canopy into the downrod.
- Re-attach the hemisphere into the downrod. Insert the lock pin through the hole of downrod and put the lock pin in place on the hemisphere.
- Tighten the hemisphere jam screw against the downrod.



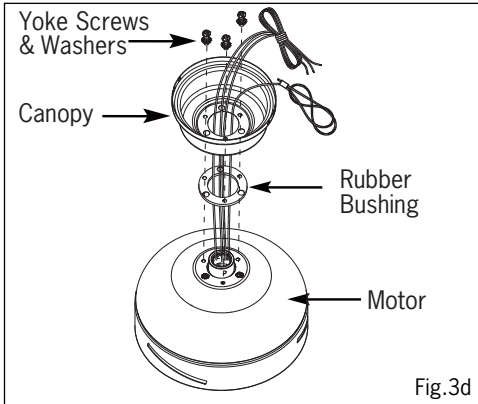
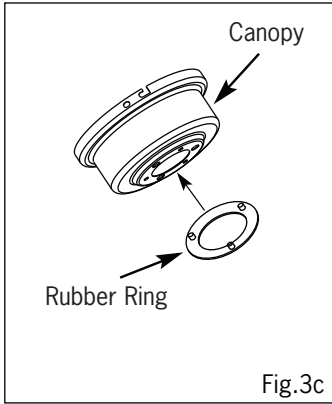
**WARNING: Ensure that all connections, set screws and screws are securely tightened before the next step.**

2

## MOUNTING OPTION

### **B** FLUSH MOUNT

- Remove rubber ring from canopy.
- Place canopy on fan housing by aligning 3 larger holes of canopy over 3 existing screws on the motor housing.
- Secure canopy to motor housing by placing 3 screws and washers (supplied in hardware package) in the 3 smaller holes in the canopy.



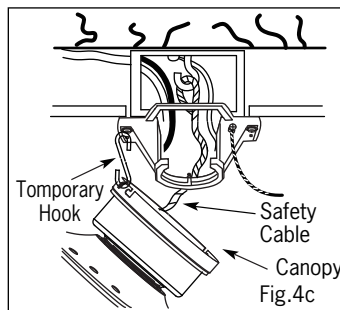
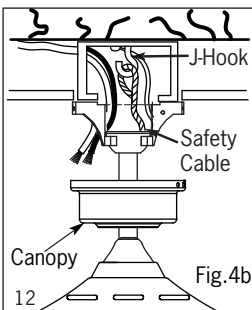
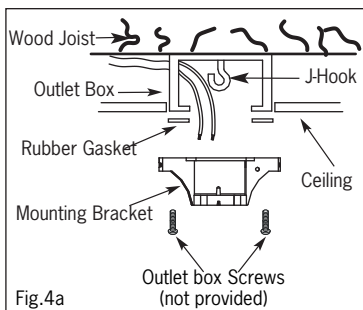
3.

## INSTALL MOUNTING BRACKET

**WARNING: To Reduce The Risk Of Fire, Electric Shock, Or Personal Injury, Mount To UL/CSA Listed Outlet Box Marked Acceptable for Fan Support And Use Mounting Screws Provided With The Outlet Box.**

- Install J-Hook through centre of outlet box and into the wooden joist.
- Secure mounting bracket and rubber gaskets to outlet box.
- Hang the safety cable onto the J-hook.
- Hang fan on temporary hook or mounting bracket.

**Diagram Fig. 3b is for Downrod Mount.**  
**Diagram Fig. 3c is for Flush Mount.**

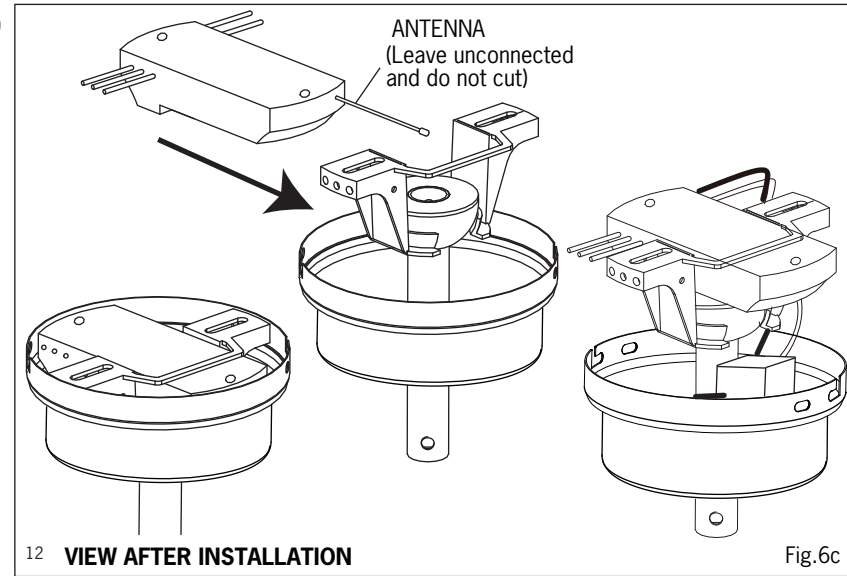


5.

## ELECTRICAL HOOK-UP

- Position the receiver into the mounting bracket as shown direction.

A



12 **VIEW AFTER INSTALLATION**

Fig. 6c

B

**WARNING: Bypassing the remote and directly wiring fan or light voids warranty and will render the fan and light kit inoperable. Only use supplied remote control to operate the fan and light kit.**

Setting the code on the hand-held remote and the receiver.

- remove the battery cover on the hand-held remote (Press firmly below the arrow and slide the battery cover off).
- set code switches to desired position.
- set the code switches to the same positions on the receiver as set on the remote.

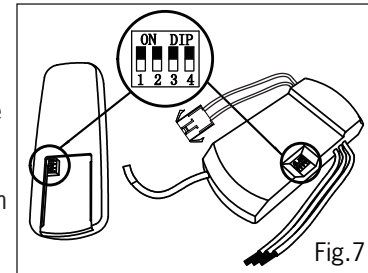


Fig. 7

## INSTRUCTIONS

The slide switch is for forward/reverse rotation.

In cold weather: Set to reverse rotation (clockwise). Airflow will be directed upward, circulating warm air.

In warm weather: Set to forward rotation (counter-clockwise). Airflow will be directed downward, circulating cold air.

## REMOTE CONTROL

Install 9 V battery (not included). Operation buttons on the remote:

- |                           |                             |
|---------------------------|-----------------------------|
| <b>1</b> - Fan high speed | <b>2</b> - Fan medium speed |
| <b>3</b> - Fan low speed  | <b>0</b> - Fan off          |
| ⏻ - Light on/off          | ⏻ - Light dimmer            |

\*Hold down to increase or decrease the light.

The light has a memory function so the light will stay at the same brightness as the last time it was turned off.

5.

**ELECTRICAL HOOK-UP**

A

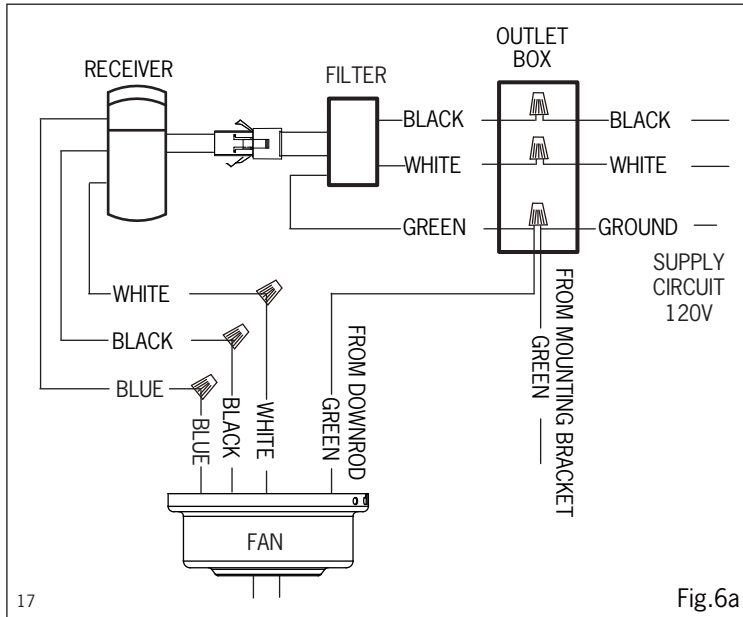


Fig. 6a

**In Quebec, the installation of this product must be carried out by a qualified electrician.**

**NOTE:** Once wires are connected, carefully tuck all wires and wire nuts into the metal outlet box making sure that the wires are clear of the hemisphere and downrod when positioned in mounting bracket.

- Push all connected wires up into ceiling box.

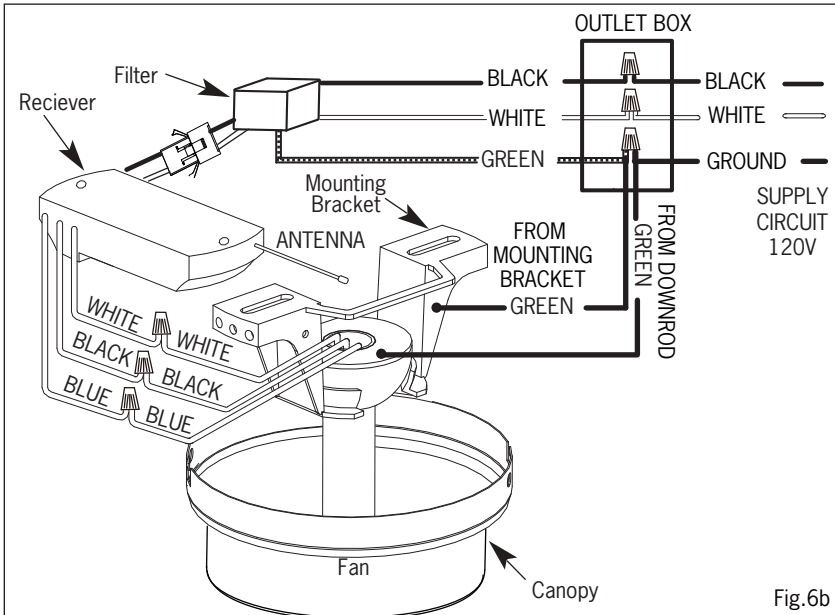


Fig. 6b

4.

**ENGAGE HEMISPHERE (Downrod Mount Only)**

- Carefully rotate fan assembly until groove in hemisphere locks over tab of canopy assembly.

**WARNING:** Failure to seat tab in groove could cause damage to electrical wires and possible shock or fire hazard.

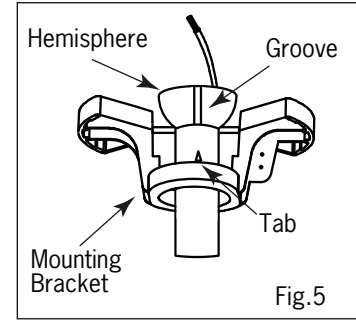


Fig. 5

**NOTE:** When installing fan on sloped ceiling, make sure tab on hanger bracket faces towards the top of the slope. Depending on the slope, a longer downrod may be required to prevent fan blades from hitting the ceiling.

5.

**ELECTRICAL HOOK-UP**

**Direct wiring to an external variable speed wall control or dimmer switch of this fan and or external light kit will void warranty and make fan and light inoperable.**

A

- This fan is equipped with a remote control unit for controlling the fan speeds and light kit.

Make the following wire connections to the receiver unit (see fig. 6a) using the wire nuts supplied. 17

- connect the male and female plug from the filter and the receiver.
- connect WHITE receiver unit wire (MOTOR N) to WHITE fan wire.
- connect BLACK receiver unit wire (MOTOR L) to BLACK fan wire.
- connect BLUE receiver unit wire (FOR LIGHT) to BLUE light wire.
- connect GREEN fan wire to BARE (ground) wire.
- connect BLACK receiver unit wire to BLACK supply wire.
- connect WHITE receiver unit wire to WHITE supply wire.
- After making the wire connections, ensure the wires should be spread apart with the grounded conductor and the equipment-grounding conductor on one side of the outlet box and the ungrounded conductor on the other side of the outlet box. 15
- Ensure the splices after being made should be turned upward and pushed carefully up into the outlet box 16