



# IMF-B BELT DRIVE MIXED FLOW FANS

## FEATURES

- High performance mixed flow fan
- High efficiency wheel with very low sound levels
- Sizes and capacities up to 43,000 CFM
- AMCA Certified
- Statically and dynamically balanced to AMCA 204

## PERFORMANCE SPECIFICATIONS

MODEL	MAX HP	STATIC PRESSURE, INCHES W.G.																			
		0.000	0.250	0.500	0.750	1.000	1.250	1.500	1.750	2.000	2.500	3.000	3.500	4.000	4.500	5.000	5.500	6.000	6.500	7.000	7.500
IMF-B400	3	3700	3650	3600	3550	3500	3450	3350	3300	3250	3100	3000	2850	2700	2500	2200	1750	--	--	--	--
IMF-B450	5	4700	4650	4600	4500	4450	4400	4300	4250	4150	4000	3850	3650	3450	3250	2900	--	--	--	--	--
IMF-B500	7.5	6650	6550	6500	6400	6300	6200	6150	6050	5950	5700	5500	5250	5000	4750	4350	3850	3000	--	--	--
IMF-B560	10	8400	8300	8200	8050	7950	7850	7750	7600	7500	7200	6950	6650	6350	6000	5550	4900	--	--	--	--
IMF-B630	10	10550	10400	10250	10100	9950	9850	9700	9550	9350	9050	8700	8300	7900	7450	6800	6000	--	--	--	--
IMF-B710	10	12900	12750	12600	12400	12250	12100	11950	11750	11550	11150	10750	10300	9850	9250	8400	--	--	--	--	--
IMF-B800	15	16450	16250	16050	15850	15650	15450	15250	15000	14800	14350	13850	13250	12600	11900	10800	--	--	--	--	--
IMF-B900	15	20650	20400	20150	19900	19650	19400	19150	18850	18550	17950	17350	16550	15750	14750	13350	11900	--	--	--	--
IMF-B1000	25	27350	27000	26700	26350	26000	25700	25300	24900	24550	23500	22800	21900	20700	19500	17850	15950	11450	8300	5600	4150
IMF-B1120	40	34900	34500	34100	33650	33250	32800	32400	31900	31450	30400	29350	27500	26800	25350	23550	21250	17650	12750	10850	8950
IMF-B1250	40	43250	42750	42200	41700	41200	40650	40150	39600	38950	37600	36300	34850	33050	31250	28900	26000	--	--	--	--

PLEASE NOTE: The above is subject to change without notice as these are still in development.

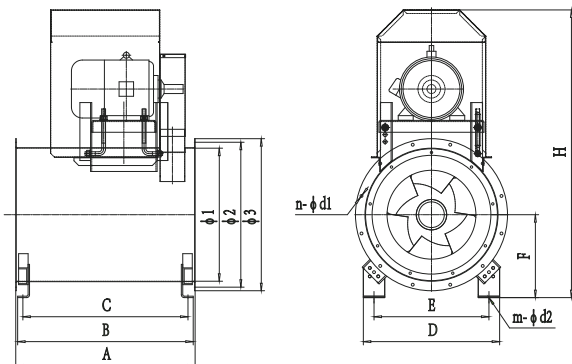
## DIMENSIONS

MODEL	Dimensions all in Inches													Weight (lbs)
	ø1	ø2	ø3	A	B	C	D	E	F	H (max)	n - ød1	m - ød2		
IMF-B400	18	19	21	25	25	23	19	16	12	41	8 - ø12	4 - ø18	145	
IMF-B450	20	22	23	28	28	26	21	18	13	44	8 - ø12	4 - ø18	169	
IMF-B500	22	24	25	30	29	27	23	19	14	48	8 - ø12	4 - ø18	207	
IMF-B560	25	27	28	33	31	29	22	18	16	54	12 - ø12	4 - ø18	279	
IMF-B630	28	30	31	37	35	33	24	20	17	57	12 - ø12	4 - ø18	372	
IMF-B710	32	34	35	39	37	35	28	24	19	62	12 - ø12	4 - ø18	425	
IMF-B800	36	38	39	44	40	38	31	27	21	66	16 - ø14	4 - ø18	515	
IMF-B900	40	42	43	49	46	44	35	31	23	71	16 - ø14	4 - ø18	658	
IMF-B1000	44	47	48	51	46	44	39	34	26	78	16 - ø14	6 - ø18	849	
IMF-B1120	50	52	54	57	52	50	44	39	29	87	20 - ø14	6 - ø18	1098	
IMF-B1250	56	58	60	64	59	57	49	44	31	96	20 - ø14	6 - ø18	1379	

Note:

1. Dimensions provided are for reference only and may differ from the actual drawings.
2. The above weight of the fan does not include motor.

### IMF-B400-500 BASE MOUNTED



### IMF-B560-1250 BASE MOUNTED

