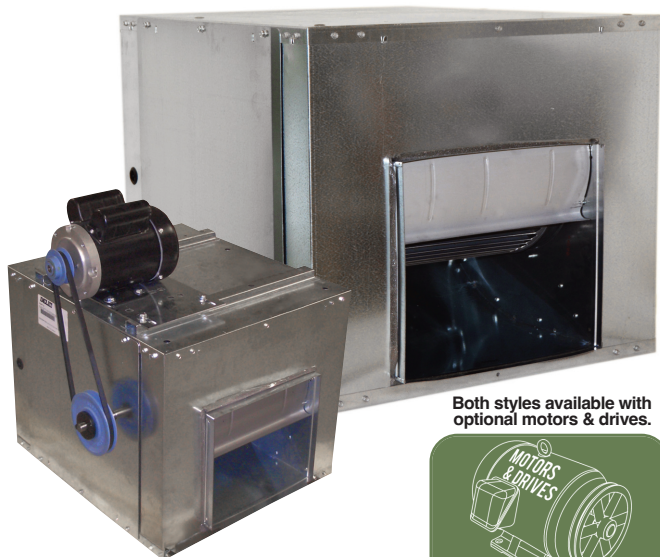


# IDB & IDB-X SERIES INLINE DUCT BLOWERS

## Forward Curved Inline Duct Blowers



Both styles available with optional motors & drives.



### IDB & IDB-X SERIES Indoor Applications, Non-Insulated (Insulated available on request)

#### FEATURES

- **Wheel Diameters:** 7" through 15"
- **CFM:** Approximately 500 to 5700 CFM in a single blower.
- Constructed from galvanized steel for durability.
- Forward Curved blowers operate at low RPM for low noise levels.
- Heavy duty ball bearings suitable for -65° F to +250° F.
- Keywayed shafts both ends for clockwise or counter clockwise rotation.
- Saddle type motor mounting platform provides extended belt tension adjustment range on all IDB models.
- IDB-X models offer external mounted motors & drives for easy access, however they are not ETL or AMCA certified at this time.

- Use as part of an HVAC system.
- Durable galvanized, steel construction.
- Delhi blowers will not "surge", "hunt" or "stall".
- Ideal for indoor applications.
- Optional variable pitch motor pulley permits field adjustment (typically + or - 15%) to match air delivery needs.
- Quiet forward curved blowers operate at ½ the rpm of other inline solutions.



Insulated options available upon request. For insulated or heavy duty applications, please reference our 200 and 9200 series literature.

#### INDUSTRIES SERVED

- Commercial HVAC
- Heating
- Construction
- Ventilation
- Cooling

#### TYPICAL APPLICATIONS

- An Inline make-up air solution for cases where a rooftop curb mounted solution is not available.
- As an air moving module for systems built up with other components such as heating/cooling coils.
- Noise sensitive areas - the low rpm forward curved wheel typically radiates less vibration than higher rpm backward inclined wheel solutions.
- When the application requires an air mover in a duct system located in a ceiling space.
- Redistribution or recirculation of air in a work space.
- Interlocked with entry doors to prevent entry of cold outdoor air into retail sales space and thus greets customers with warmth.
- Bathroom/ rest room exhaust - one duct blower serving multiple intakes.

#### PERFORMANCE SPECIFICATIONS

MODEL	TYPICAL MAXIMUM CFM @ SP											
	1/2" SP		1" SP		1 1/2" SP		2" SP		2 1/2" SP		Min HP	Max HP
	CFM	FEI	CFM	FEI	CFM	FEI	CFM	FEI	CFM	FEI		
IDB07 / IDBX07	1400	0.80	1300	0.96	1100	1.05	1000	1.08	800	1.04	1/6	3/4
IDB09 / IDBX09	2000	0.91	1800	1.09	1500	1.21	1100	1.12	800	1.04	1/6	3/4
IDB10 / IDBX10	3000	0.77	2800	0.96	2600	1.04	2300	1.09	1900	1.08	1/6	1-1/2
IDB12 / IDBX12	3700	0.86	3300	0.99	2900	1.07	2400	1.10	1600	0.93	1/6	1-1/2
IDB15 / IDBX15	6100	0.77	5800	0.93	5000	0.96	4100	0.94	3700	1.00	1/3	3

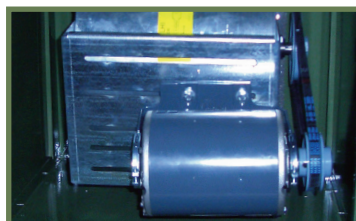
Power rating (BHP) does not include transmission losses. Performance certified is for installation type B: Free inlet, Ducted outlet. Performance ratings do not include the effect of appurtenances (accessories).

CONSULT OUR DELAIR SOFTWARE FOR FAN CURVES & FULL PERFORMANCE DATA. [WWW.CANARM.COM/DELAIR](http://WWW.CANARM.COM/DELAIR)



Canarm certifies that the IDB Series shown herein are licensed to bear the AMCA Seal. The ratings shown are based on tests and procedures performed in accordance with AMCA Publications 211 & 311 and comply with the requirements of the AMCA Certified Ratings Programme.

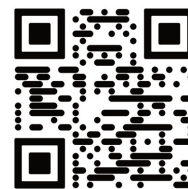
The AMCA certified ratings seal applies to air and sound performance only. The IDB Series shown herein are not approved by AMCA for FEI ratings.



SADDLE TYPE MOTOR MOUNTING PLATFORM PROVIDES EXTENDED BELT TENSION ADJUSTMENT RANGE ON IDB MODELS



FORWARD CURVED BLOWERS OPERATE AT LOW RPM FOR LOW NOISE

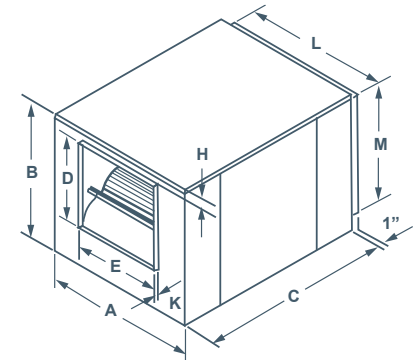
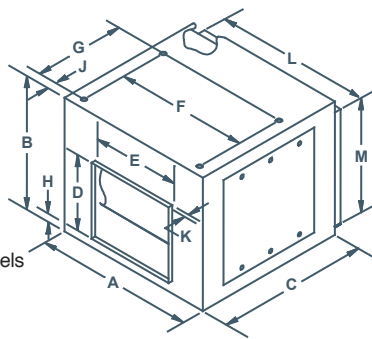


View FEI charts  
[canarm.com/fei-idb](http://canarm.com/fei-idb)

**NOTE: IDB-X MODELS ARE NOT ETL OR AMCA CERTIFIED AT THIS TIME.**

# IDB, IDB-X, 200, 9200 & 9200-VIB SERIES

Single & Twin Forward Curved Inline Duct Blowers



Twin unit available for 200, 9200, 9200-VIB models  
Call for pricing & availability.

## DIMENSIONS

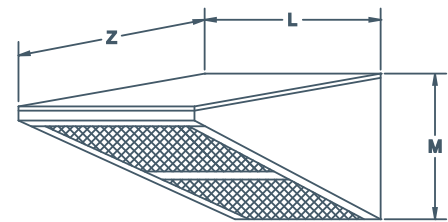
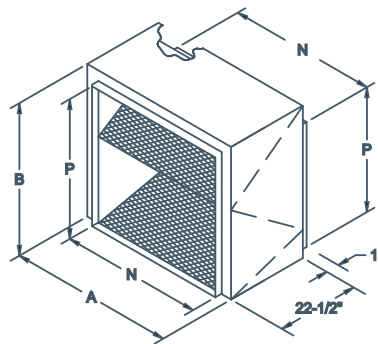
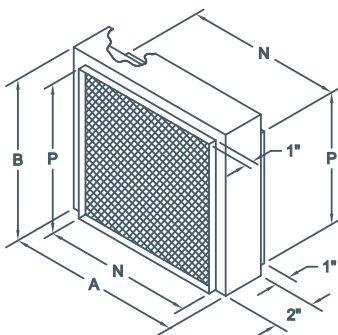
MODEL	A	B	C	OUTLET							INLET		SHAFT DIAMETER	UNIT WEIGHT (LBS) (without motor)
				D	E	F	G	H	J	K	L	M		
IDB07 / IDB-X / 207	18"	15.375"	23"	8 1/4"	9 3/16"	14 1/2"	9 5/8"	1 1/4"	1 1/4"	7/8"	15 7/8"	13 3/8"	3/4"	43
IDB09 / IDB-X / 209	21"	18"	23"	10 1/4"	11 13/16"	17 1/2"	11 3/4"	1 1/4"	1 3/4"	7/8"	19"	16"	3/4"	55
IDB10 / IDB-X / 210	22.25"	20"	24 3/4"	11 3/8"	13 1/8"	18 3/4"	13 3/8"	1 1/4"	1 3/4"	7/8"	20 1/4"	18"	3/4"	65
IDB12 / IDB-X / 212	27"	23"	27 1/2"	13 7/16"	15 5/8"	23 1/2"	16 1/8"	1 1/4"	1 3/4"	7/8"	25"	21"	3/4"	82
IDB15 / IDB-X / 215	33.5"	28"	32"	15 7/8"	18 5/8"	28"	19 1/2"	2 5/8"	1 3/4"	7/8"	30 1/2"	25"	1"	140
218	41.5"	34"	44"	19 5/8"	22 5/8"	35"	24"	2 3/4"	1 3/4"	1 1/8"	35 3/8"	31 5/8"	1"	158
9209	21"	18"	23"	11 1/4"	12 3/4"	N/A	N/A	1"	N/A	1 1/8"	19"	16"	3/4"	61
9210	22 1/4"	20"	24 3/4"	12 3/8"	14 1/8"	N/A	N/A	1"	N/A	1 1/8"	20 1/4"	18"	3/4"	70
9212	30 1/8"	24 3/4"	34"	14 1/2"	16 5/8"	N/A	N/A	2 1/8"	N/A	1 1/8"	25 1/8"	21 1/8"	1"	143
9215	33 3/4"	28 5/8"	38 1/8"	17"	19 5/8"	N/A	N/A	2 1/8"	N/A	1 1/8"	30 5/8"	25 1/4"	1"	176
9218	41 1/2"	34"	44"	19 5/8"	22 5/8"	N/A	N/A	2 3/4"	N/A	1 1/8"	35 3/8"	31 5/8"	1"	323
9220	44 3/4"	41 1/8"	57 1/2"	25 3/4"	25 3/4"	N/A	N/A	3"	N/A	1 1/8"	38 3/8"	35 1/8"	1 7/16"	515

## ACCESSORIES

- Filter sections
- Intake Hoods
- External Vibration Isolators
- Hot Water Coils
- Chilled Water Coils

# FILTER SECTIONS & INTAKE HOODS

Series F200A, F9200A & H9200



**F200A FILTER SECTION**  
For IDB, IDB-X, 200 & 9200 Series  
Duct Blowers

**F9200A FILTER SECTION**  
For Model 9200 Duct Blowers

**H9200 INTAKE HOOD**  
For 9200 Series Duct Blowers

MODEL	A	B	N	P	FILTER		UNIT WEIGHT (LBS)
					SIZE	QUANTITY	
F207A	17 3/4"	15 3/8"	16"	13 1/2"	14 1/8" X 16 5/8"	1	11
F209A	21"	18"	19 1/8"	16 1/8"	16 3/4" X 19 7/8"	1	12
F210A	22 1/4"	20"	20 3/8"	18 1/8"	18 3/4" X 21 1/8"	1	14
F212A	27"	23"	25 1/8"	21 1/8"	21 3/4" X 25 7/8"	1	16
F215A	32 1/2"	26 3/4"	30 5/8"	25 1/8"	25 3/4" X 31"	1	21
F218A	37"	33 1/4"	35 1/4"	31 1/2"	32 1/4" X 35 7/8"	1	46
F9220A	39 3/4"	37 1/4"	38 1/2"	35 1/4"	20" X 25"	6	64

MODEL	L	M	Z	FILTER		UNIT WEIGHT (LBS)
				SIZE	QUANTITY	
H9209	19 1/4"	16 9/16"	21 1/4"	16" X 24"	1	14
H9210	20 1/2"	18 9/16"	25 3/4"	15" X 20"	2	16
H9212	25 3/8"	21 9/16"	30 3/4"	20" X 25 & 16" X 25"	2	27
H9215	31 3/16"	25 13/16"	33 1/2"	20" X 28 1/2"	2	38
H9218	35 5/8"	32 11/16"	40 1/4"	20" X 25 (2) & 16" X 25"	3	50
H9220	38 5/8"	35 9/16"	22"	FILTERS NOT INCLUDED USE F9220A		40