

# INDEX

Online version available - [www.canarm.com/hvac/literature](http://www.canarm.com/hvac/literature)

## HVAC CONTACTS

**A** DUCT VENTILATION



**D** WALL MOUNT VENTILATION



**G** DAMPERS & LOUVRES



**J** ACCESSORIES & MOTORS



## CENTRIFUGAL PRODUCT CROSS REFERENCE

**B** ERV / HRV



**E** UTILITY, PRESSURE & RADIAL BLOWERS



**H** EQUIPMENT BLOWERS (OEM)

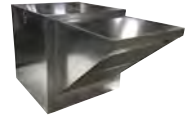


**K** CONTROLS & THERMOSTATS



## AXIAL PRODUCT CROSS REFERENCE

**C** ROOF MOUNT VENTILATION



**F** GREEN PRODUCTS



**I** AIR CIRCULATION & MANCOOLERS





**CORPORATE OFFICE /  
HVAC MANUFACTURING FACILITY**  
2157 Parkedale Avenue, PO Box 367  
Brockville, ON K6V 5V6 Canada  
**Tel: (613) 342-5424**  
**USA Tel: 1-800-267-4427**  
Fax: 1-800-263-4598

**HVAC INQUIRIES**  
hvacsales@canarm.ca



**WEB SITE**  
www.canarm.com



## MANAGEMENT SUPPORT

**JAMES A. COOPER**  
President/CEO  
**Tel: (613) 342-5424 (X 1307)**  
**Cell: (613) 498-8540**  
*Email: jcooper@canarm.ca*

**SEAN MCDOWELL P.ENG**  
Vice-President - HVAC Business Unit  
**Tel: (613) 341-7580**  
**Cell: (613) 340-5768**  
*Email: smcdowell@canarm.ca*

**BOB CLARKE**  
Vice-President - US Sales  
**Tel: (716) 870-1917**  
Fax: (716) 934-2328  
*Email: bclarke@canarm.ca*

**DON BARKLEY**  
HVAC Sales Manager  
**Tel: (613) 342-5424 (X 1335)**  
**Cell: (613) 340-4581**  
*Email: dbarkley@canarm.ca*

## FIELD SUPPORT

**SCOTT O'BRIEN**  
Canadian Sales - ON & QC  
**Tel: (613) 342-5424 (X 1373)**  
*Email: scottob@canarm.ca*

**LUKE MEPPELDER**  
Canadian Sales  
**Tel: (613) 342-5424 (X 1374)**  
*Email: lmeppelder@canarm.ca*

**NICOLE MAYCOCK**  
HVAC USA Sales Manager  
**Tel: (613) 342-5424 (X 1327)**  
*Email: nmaycock@canarm.ca*

**JONAH BENNIS**  
Outside Sales Representative  
**Tel: (613) 342-5424 (X 1339)**  
*Email: jobennis@canarm.ca*

**DEREK DEROCHE**  
Outside Sales Representative  
**Cell: (613) 242-9675**  
*Email: dderoche@canarm.ca*

## TECHNICAL & CUSTOMER SERVICE

**BRANDEN ROSS**  
Technical Sales  
**Tel: (613) 342-5424 (X 1376)**  
*Email: bross@canarm.ca*

**MARINA ALLAN**  
Customer Service Representative  
**Tel: (613) 342-5424 (X 1352)**  
*Email: mallan@canarm.ca*

**AINSLEY BELANGER**  
Customer Service Representative  
**Tel: (613) 342-5424 (X 1347)**  
*Email: abelanger@canarm.ca*

**KRISTEN MOREHOUSE**  
Customer Service Representative  
**Tel: (613) 342-5424 (X 1346)**  
*Email: kmorehouse@canarm.ca*

**CINDY WILKINS**  
Customer Service Representative - Canadian Accounts  
**Tel: (613) 342-5424 (X 1324)**  
*Email: cwilkins@canarm.ca*

## MARKETING

**COLLEEN SOIKIE**  
HVAC/AG Marketing Manager  
**Tel: (613) 342-5424 (X 1344)**  
*Email: csoikie@canarm.ca*

**LUC WARREN**  
Graphic Designer  
**Tel: (613) 342-5424 (X 1372)**  
*Email: lwarren@canarm.ca*

## OTHER FACILITIES

**MONTREAL DISTRIBUTION CENTRE**  
2555 Rue Bernard Lefebvre  
Laval, Quebec H7C 0A5 Canada  
Tel: (450) 665-2535  
Fax: (450) 665-0910

**USA WAREHOUSE**  
808 Commerce Park Drive  
Ogdensburg, New York 13669 USA  
Tel: 1-800-267-4427  
Fax: 1-800-263-4598

**ARTHUR MANUFACTURING FACILITY**  
#7686 Concession 16, RR4  
Arthur, Ontario N0G 1A0 Canada  
Tel: (519) 848-3910  
Fax: (519) 848-3948



# CENTRIFUGAL PRODUCT CROSS REFERENCE

JANUARY 2018



CANARM	DESCRIPTION	ACME	CARNES	COOK	COOLAIR	FANTECH	GREENHECK	PENN	S&P	TWIN CITY
ALX-DB (SB)	Belt Drive DownBlast Spun Alum Exhaust	PV	VEBK	ACEB	CRBCA	5BDD	GB	DX-B	(S)DB	BCRD
ALX-UB (SBRM)	Belt Drive UpBlast Spun Alum Exhaust	PNU-RF	VUBK	ACRUB	CUBA / UBCA	5BDU	CUBE	FX-B	(S)TXB	BCRU
ALX-UB (SBRM)	Belt Drive Wall Mount Spun Alum Exhaust	PNU-RFW	VWBK	ACWB	CWBA	5BDU	CWB	WFX-B	(S)TXBW	BCRW
ALX-DD (SD)	Direct Drive DownBlast Spun Alum Exhaust	PRN / PVD	VEDK	ACED	CRDA	5DDU	G	DX	LPD/RED/SDBD	DCRD
ALX-UD (SDUB)	Direct Drive UpBlast Spun Alum Exhaust	PDU-RF	VUDK	ACRUD	CUDA / UDCA	5DDU	CUE	FX	(S)TXD-RHUL	DCRU
ALX-UD (SDUB)	Direct Drive Wall Mount Spun Alum Exhaust	PDU-RFW	VWDK	ACWD	CWDA	5DDU	CW	WFX	CWD / (S)TXDW	DCRW
ALX-UD (SBRM)	Belt Drive UpBlast Spun Alum Exhaust - UL762	PNU-RG	VRBK	VCR	CUBA / UBCA	5BDU	CUBE	FX-BFT	(S)TXB-RHUL	BCRUR
ALX-UB (SBRM)	Belt Drive Wall Mount Spun Alum Exhaust - UL762	PNU-RGW	VRBK	VCR	CUBA / UBCA	5BDU	CWB	WFX-BFT	(S)TXB-RHUL	BCRWR
ALX-UD (SDUB)	Direct Drive UpBlast Spun Alum Exhaust - UL762	PDU-RG	-	VCRD	CUDA / UDCA	5DDU	CUE	FX-FT	(S)TXD-RHUL	DCRUR
ALX-UD (SDUB)	Direct Drive Wall Mount Spun Alum Exhaust - UL762	PDU-RGW	-	VCRD	CUDA / UDCA	5DDU	CW	WFX-FT	(S)TXDW-RHUL	DCRWR
SIG / SIS	Belt Drive Filtered Supply - Side Inlet	AFSI	VNBL	KSP	SIS	5FSU	SAF	FS	KSF	BCRFS
SISDD	Direct Drive Filtered Supply - Side Inlet	-	-	-	-	-	-	-	-	-
700	Belt Drive Filtered Supply - Hooded	AFSN	VSBB	ASP	CFS	-	RSF	MU	CSF	-
700DD	Direct Drive Filtered Supply - Hooded	-	-	-	-	-	-	-	-	-
--	Belt Drive Filtered Supply - Louvered	AFSL	VHBB	ASP-T	-	-	RSFP	-	LSF	-
DSQ-B	Belt Drive Square Inline Duct Fan	XB	VIBK	SONB / SQI-B	SQBA	-	BSQ	SX-B	SQB	BSI
GSQ-D	Direct Drive Square Inline Duct Fan	XD	VIDK	SOND / SQI-D	SQDA	-	SQ	SX	SQD	DSI
200 / IDB / 9200	Belt Drive Inline Cabinet Duct Blower	DM / DMS	VDBA	DB	-	-	BDF	ZC / ZCC	CFD	DBS / DBT
IDB-X	Belt Drive Inline Cabinet Duct Blower - External Motor	-	-	DBX	-	-	-	-	-	-
IDL	Belt Drive Low Profile Inline Cabinet Duct Blower	-	-	-	-	-	BCF	-	-	-
400	Belt Drive Forward Curve Utility Blower - Arrangement 3	-	-	-	-	-	-	-	-	-
600	Belt Drive Forward Curve Utility Blower	FCF	VFBB	CPFB	VFC / VSFCJ	-	SFB	-	-	FCV
BI / BI-AW	Belt Drive Backward Incline Vent Set	QBR / 3000 / 8100	VBBB	CPV / CPS	VSBC / VSBCJ	-	SWB / USF	D	CM	BCV
BI-RMHS	Belt Drive Backward Incline Vent Set - Heat/Smoke	QBRSE / 8100SE	-	CPS	-	-	SWB / USF	-	CM-HT	BCVHS
BI-RM / BI-RMAW	Belt Drive Backward Incline Vent Set - UL762	QBR / 8100	VBBB	CPV / CPS	VSBC / VSBCJ	-	SWB / USF	D	CM-RHUL	BCVR
HSE	Belt Drive BI Curb Mount Vent Set - UL762	-	-	LoPto	-	-	-	GBH	-	BHRE
USD	Direct Drive BI Utility Blower	QBRD	-	-	-	-	SWD	D	-	DCV
D	Direct Drive Forward Curve Utility Blower	-	-	CPFD	VSDDF	-	SFD	-	-	DDF
KE	Direct Drive Radial Blower	-	-	-	-	-	-	-	-	-
PW	Direct Drive Pressure Blower	-	-	-	-	-	FPB	-	-	-
G-Series	Belt Drive Forward Curve DWDI Blower	-	-	-	-	-	-	-	-	-
800	Belt Drive Forward Curve DWDI Blower	-	-	-	-	-	-	-	-	TFC / VFC class L
900	Belt Drive Forward Curve DWDI Blower	-	-	-	-	-	-	-	-	TFC / VFC class R
900BI	Belt Drive Backward Incline DWDI Blower	-	-	-	-	-	-	-	-	TFC / VFC class K
900AF	Belt Drive Airfoil DWDI Blower	-	-	-	-	-	-	-	-	VBC class K
BIDI	Belt Drive DWDI BI Blower - Heavy Duty	-	-	CF / CA	-	-	-	-	-	VAF class K
DPL / DPL-AF	Belt Drive BI / AF Plenum Blower	8800 / 8800STAR	-	PLC	-	-	BIDW / AFDW	VCR-DW	-	BC / BAF / BAE
DPL-DD	Direct Drive BI Plenum Blower	-	-	PLC	-	-	APH / APM	ESP	-	EPF / EPQ
PMD	Direct Drive BI Plenum Blower - Light Duty	-	-	PLC	-	-	APH / APM / APD	ESP	-	EPL / EPF / EPON

2157 Parkedale Avenue, Po Box 367  
Brockville, Ontario K6V 5V6  
Ph: 613-342-5424

www.canarm.com  
hvacsales@canarm.ca



# AXIAL PRODUCTS CROSS REFERENCE

JANUARY 2018



CANARM	DESCRIPTION	ACME	CARNES	COOK	COOLAIR	FANTECH	GREENHECK	PENN	S&P	TWIN CITY
P	Direct Drive Sidewall Exhaust/Supply	FQ / FN / DMD-E	LYDK / LZDK	XWD	CDP / CDU	2VLD	SE1 / SS1	P	GED / GSD	TCPE
AX / SD	Shutter Mount Direct Drive Sidewall Exhaust	-	-	-	-	2SHE	-	-	-	-
BTA	Belt Drive Tube Axial	HA	LIBA	ADB / EDB	TBC/TEBC/TEBH	-	TAB	BTA	TDB	TB
DDA	Direct Drive Tube Axial	HD	LIDA	ADD / EDD	TDC	-	TAD	TA	TDD	TD
ADD	Direct Drive Wall Exhaust/Supply - Cast Alum Prop	-	LJDL-A / LKDL-A	AWD / EWD	CDC	-	SCE / SCS / SCR	BC	DDE / DDS	WPDB / WPDE
DDS	Direct Drive Wall Exhaust/Supply - Steel Propeller	FN / FO / DMD-E	-	XWHD	CDU	-	SE2 / SS2	P	DFE / DFS	WPDZ
DDP	Direct Drive Wall Exhaust/Supply - Composite Propeller	-	LJDL-P / LKDL-P	-	-	-	-	-	-	-
RB	Belt Drive Upblast Exhaust Propeller	UBG	LUBA / LUBK	LXU/LEU/LSU	JBH / JBHX / JBC	-	RBU	HS / HZ	UBS / UBB	LUB
RD	Direct Drive Upblast Exhaust Propeller	UD	LUDA	LXU/LEU/LSU	JDC	-	RDU	HZ	UBX	LUD
RTA	Belt Drive Upblast Exhaust Propeller - Motor Out of Airstream	UBH	LOBA	AUB / EUB	JTBC / JTBC	-	TAUB	HX	TUB	TUB
RTA	Belt Drive Upblast Exhaust Propeller - Motor Out of Airstream	UBG-MX	LUKA	-	JBCMO	-	RBU-MO	-	TUB	LUB-MO
RTA-SH	Belt Drive Upblast Exhaust Propeller - High Temp	UBHSE	LOBA	SUB-H / TUB-H	HS / HSE	-	TAUB-HT	-	TUB-HT	TUB-SH
RTA-SH	Belt Drive Upblast Exhaust Propeller - High Temp	UBGSE	-	-	-	-	RBU-MO	HS-HS	UBSRD-HT	LUB-SH
XBL	Belt Drive Wall Exhaust - Light Duty	DC	-	-	CBL	1SDE	SBE1 / SBS1	BLL	LC	WPB-L1
XB / HV	Belt Drive Wall Exhaust/Supply - Steel Propeller	DCK / DCH / K	LWBK / LMBK	XL / XM	CBL / CBH / CBHX	1SDE	SBE / SBS	BHM / BHH	LC / L2 / L3	WPB-L1, L2, Z
HVA	Belt Drive Wall Exhaust/Supply - Cast Aluminum Propeller	-	LNBK / LRBK	AMB / EMB	CBC	-	SBC	BCH	-	WPB-B, E, C

2157 Parkedale Avenue, Po Box 367  
Brockville, Ontario K6V 5V6  
Ph: 613-342-5424

www.canarm.com  
hvacsales@canarm.ca



# DUCT VENTILATION

**A1 IDL SERIES**  
Forward Curved Low Profile Duct Blowers



**A3 IDB/IDB-X SERIES**  
Forward Curved Inline Duct Blowers



**A4 SCENTINEL-IDB SERIES**  
Forward Curved Odour Control Blower Kit



**A5 200/9200/9200-VIB SERIES**  
Single & Twin Forward Curved Inline Duct Blowers



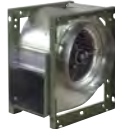
**A6 IDB/IDB-X/200/9200/9200-VIB SERIES**  
Filter Section & Intake Hoods



**A7 HC & CW SERIES**  
Heating & Cooling Coils



**A8 400 SERIES**  
FC Exhauster Belt Drive Utility Blowers



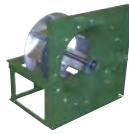
**A9 DSQ-B SERIES**  
Backward Inclined Belt Drive Square Inline Blowers



**A10 GSQ-D SERIES**  
Backward Inclined Direct Drive Square Inline Blowers



**A11 DPL/DPL-AF SERIES**  
Flat Blade & Air Foil Blade Plenum Fans



**A12 DPL-DD SERIES**  
Direct Drive Flat Blade & Air Foil Blade Plenum Fans



**A13 PMD SERIES**  
Backward Inclined Direct Drive Plenum Fan



**A14 IMF-B SERIES**  
Belt Drive Mixed Flow Fan



**A15 BTA/WTA/HTA SERIES**  
Belt Drive Tube Axial Duct Fans



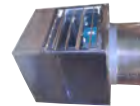
**A16 DDA SERIES**  
Direct Drive Tube Axial Duct Fans



**A17 TUBE AXIAL DUCT FAN**  
Options & Accessories



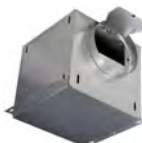
**A18 JFHVA SERIES**  
Air Make Up Jet Fans



**A19 CBF SERIES**  
Commercial Bathroom Fans



**A21 CBF1 SERIES**  
Inline Commercial Bathroom Fan



**A22 SE QUIET SERIES**  
Ultra Silent Ceiling Exhaust Fans



**A23 SED110 & SED110-4**  
Ultra Quiet Ceiling Exhaust Fans with DC Motor



**A24 CEP SERIES**  
Ultra Quiet Ceiling Exhaust Fans



**A25 CEPD SERIES**  
Ultra Quiet Ceiling Exhaust Fans with DC Motor



**A26 CEPD 140-4**  
Ultra Quiet Ceiling Exhaust Fans with DC Motor



**A27 BPT SERIES**  
Bathroom Exhaust Fans



**A28 DFRC-ES SERIES**  
Circular Duct Fans



**A29 AXC SERIES**  
Inline Duct Fans



**A30 VK SERIES**  
Inline Centrifugal Fan



**A31 VK PS SERIES**  
Inline Centrifugal Fan



**A32 VKM SERIES**  
Inline Centrifugal Fan



# DUCT VENTILATION

**A33 VKM ANTI-RADON SERIES**  
Inline Centrifugal Fan



**A35 TURBO TUBE TT SERIES**  
Mixed Flow Fan



**A37 TURBO TUBE PRO SERIES**  
Super High Powered  
Inline Fans



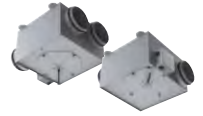
**A39 TURBO TUBE TT SILENT SERIES**  
Quiet & Energy Efficient  
Mixed Flow Fans



**A41 TURBO TUBE SILENT M SERIES**  
High Powered Metal  
Mixed Flow Fans



**A42 VKP SERIES**  
Inline Centrifugal Fan



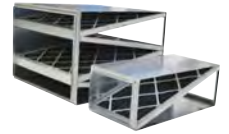
**A43 VKOM SERIES**  
Axial Fans



**A44 CFR SERIES**  
CAV Flow Regulator



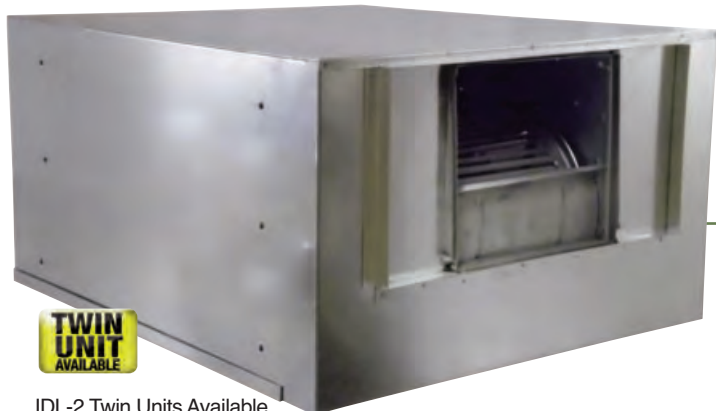
**A45 CARBON FILTER BOXES**



**A46 HFB**  
Air Purification Kit







**TWIN UNIT AVAILABLE**

IDL-2 Twin Units Available  
Call for pricing & availability.

## IDL SERIES

Indoor Applications, Non-Insulated



IDL 07/09/10  
DROP DOWN PANEL  
FOR EASY ACCESS.

AVAILABLE WITH MOTORS & DRIVES FACTORY INSTALLED. CONSULT OUR DELAIR FAN SELECTION SOFTWARE FOR DETAILS.

# IDL SERIES LOW PROFILE INLINE DUCT BLOWERS

Forward Curved Low Profile Inline Duct Blowers

- Use as part of an HVAC system.
- Durable galvanized, steel construction.
- Delhi forward curved blowers will not “surge”, “hunt” or “stall”.
- Ideal for indoor applications.
- Optional variable pitch motor pulley permits field adjustment (typically + or - 15%) to match air delivery needs.
- Quiet forward curved blowers typically operate at ½ the rpm of other inline solutions.
- Low profile design for use in bulkheads or other areas with reduced clearance.
- Easy to use drop down access panel provides quick access to blower and motor.

## INDUSTRIES SERVED

- Commercial HVAC
- Ventilation
- Heating
- Cooling
- Construction

## PERFORMANCE SPECIFICATIONS

MODEL	TYPICAL MAXIMUM CFM @ SP						Min HP	Max HP
	1/2" SP	1" SP	1 1/2" SP	2" SP	2 1/2" SP			
IDL07	1400	1250	1100	900	700	1/6	3/4	
IDL09	1800	1600	1400	1100	800	1/6	3/4	
IDL10	2100	1800	1400	1000	700	1/6	1 1/2	
IDL12	3600	3200	2800	2300	1800	1/3	1 1/2	
IDL15	5700	5200	4600	4000	3400	1/3	3	

CFM values listed right are summarized for convenience. For full performance data refer to our Delair program.

Power rating (BHP) does not include transmission losses. Performance certified is for installation type B: Free inlet, Ducted outlet. Performance ratings do not include the effect of appurtenances (accessories).

\*CONSULT OUR DELAIR SOFTWARE FOR FAN CURVES & PERFORMANCE DATA. DOWNLOAD DELAIR @ [WWW.CANARM.COM/DELAIR](http://WWW.CANARM.COM/DELAIR)

## FEATURES

- **Wheel Diameters:** 7" through 15"
- **CFM:** Approximately 500 to 5700 CFM in a single blower.
- Constructed from galvanized steel for durability.
- Forward Curved blowers operate at low RPM for low noise levels.
- Heavy duty ball bearings suitable for -65° F to +250° F.
- Keywayed shafts both ends for clockwise or counter clockwise rotation.
- Saddle type motor mounting platform provides extended belt tension adjustment range on all IDL models.

## TYPICAL APPLICATIONS FOR OUR INLINE BLOWERS

- An Inline make-up air solution for cases where a rooftop curb mounted solution is not available.
- As an air moving module for systems built up with other components such as heating/cooling coils.
- Noise sensitive areas - the low rpm forward curved wheel typically radiates less vibration than higher rpm backward inclined wheel solutions.
- When the application requires an air mover in a duct system located in a ceiling space.
- Redistribution or recirculation of air in a work space.
- Interlocked with entry doors to prevent entry of cold outdoor air into retail sales space and thus greets customers with warmth.
- Bathroom/rest room exhaust - one duct blower serving multiple intakes.
- Ideal for use in bulkheads and other areas with low clearance.

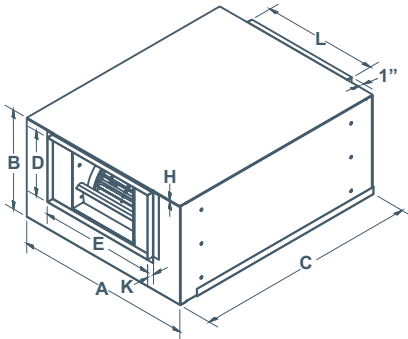


FORWARD CURVED BLOWERS OPERATE AT LOW RPM FOR LOW NOISE

# IDL SERIES

## Forward Curved Low Profile Inline Duct Blowers

### DIMENSIONS



MODEL	A	B	C	OUTLET				INLET		SHAFT DIAMETER	UNIT WEIGHT (LBS) (without motor)
				D	E	H	K	L	M		
IDL07	23"	13"	29"	8 1/2"	15"	1/8"	1"	15"	8 1/2"	3/4"	TBA
IDL09	26"	16"	32"	10 1/2"	18"	1/8"	1"	18"	10 1/2"	3/4"	TBA
IDL10	32"	19"	36"	12"	24"	1/2"	1"	24"	12"	3/4"	TBA
IDL12	36"	21 5/8"	42"	13 7/8"	28"	1/2"	1"	28"	13 7/8"	3/4"	TBA
IDL15	42"	25"	46"	16 1/2"	32"	1/2"	1"	32"	16 1/2"	1"	TBA

### IDL12/15

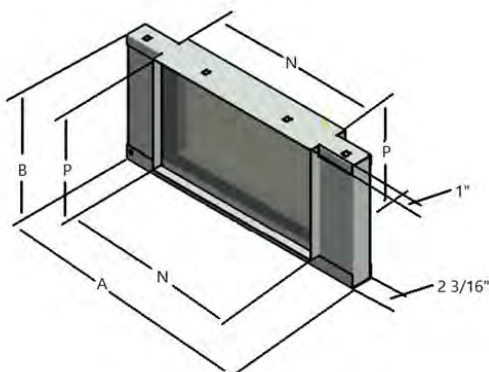
- IDL12/15 - Motor is attached to cabinet
- Ample space within to facilitate work inside the unit



### ACCESSORIES

- Filter sections
- External Vibration Isolators
- Disconnect Switch
- Side Access Door

## FILTER SECTIONS & INTAKE HOODS

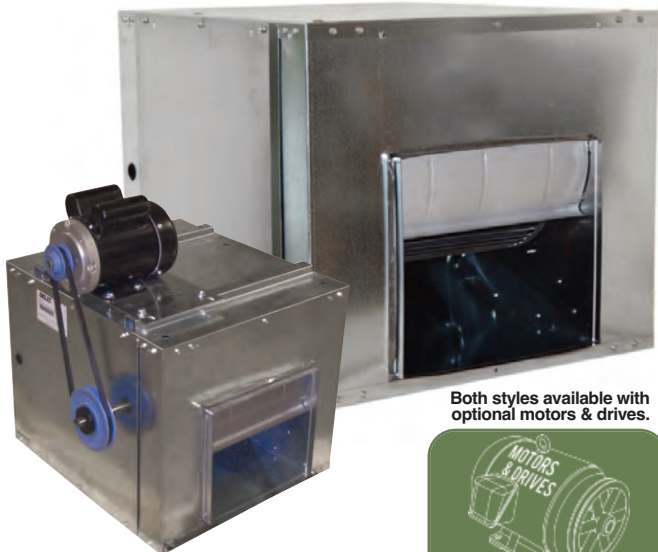


### FIDL FILTER SECTION For IDL Series Blowers

MODEL	A	B	N	P	FILTER		UNIT WEIGHT (LBS)
					SIZE	QTY	
FIDL07	24 1/4"	10"	15 1/4"	8 5/8"	10" X 20" X 1"	1	8
FIDL09	25 3/4"	12 3/16"	18 1/8"	10 15/16"	12" X 24" X 1"	1	9
FIDL10	26 3/16"	15 7/8"	24"	11 7/8"	16" X 24" X 1"	1	11
FIDL12	30 3/16"	20 1/16"	28"	14"	20" X 28-1/2" X 1"	1	13
FIDL15	34"	18"	32 1/4"	16 3/4"	17" X 33" X 1"	1	18

# IDB & IDB-X SERIES INLINE DUCT BLOWERS

## Forward Curved Inline Duct Blowers



Both styles available with optional motors & drives.

### IDB & IDB-X SERIES Indoor Applications, Non-Insulated (Insulated available on request)



### FEATURES

- **Wheel Diameters:** 7" through 15"
- **CFM:** Approximately 500 to 5700 CFM in a single blower.
- Constructed from galvanized steel for durability.
- Forward Curved blowers operate at low RPM for low noise levels.
- Heavy duty ball bearings suitable for -65° F to +250° F.
- Keywayed shafts both ends for clockwise or counter clockwise rotation.
- Saddle type motor mounting platform provides extended belt tension adjustment range on all IDB models.
- IDB-X models offer external mounted motors & drives for easy access, however they are not ETL or AMCA certified at this time.

- Use as part of an HVAC system.
- Durable galvanized, steel construction.
- Delhi blowers will not "surge", "hunt" or "stall".
- Ideal for indoor applications.
- Optional variable pitch motor pulley permits field adjustment (typically + or - 15%) to match air delivery needs.
- Quiet forward curved blowers operate at ½ the rpm of other inline solutions.



Insulated options available upon request. For insulated or heavy duty applications, please reference our 200 and 9200 series literature.

### INDUSTRIES SERVED

- Commercial HVAC
- Heating
- Construction
- Ventilation
- Cooling

### TYPICAL APPLICATIONS

- An Inline make-up air solution for cases where a rooftop curb mounted solution is not available.
- As an air moving module for systems built up with other components such as heating/cooling coils.
- Noise sensitive areas - the low rpm forward curved wheel typically radiates less vibration than higher rpm backward inclined wheel solutions.
- When the application requires an air mover in a duct system located in a ceiling space.
- Redistribution or recirculation of air in a work space.
- Interlocked with entry doors to prevent entry of cold outdoor air into retail sales space and thus greets customers with warmth.
- Bathroom/ rest room exhaust - one duct blower serving multiple intakes.

### PERFORMANCE SPECIFICATIONS

MODEL	TYPICAL MAXIMUM CFM @ SP											
	1/2" SP		1" SP		1 1/2" SP		2" SP		2 1/2" SP		Min HP	Max HP
	CFM	FEI	CFM	FEI	CFM	FEI	CFM	FEI	CFM	FEI		
IDB07 / IDBX07	1400	0.80	1300	0.96	1100	1.05	1000	1.08	800	1.04	1/6	3/4
IDB09 / IDBX09	2000	0.91	1800	1.09	1500	1.21	1100	1.12	800	1.04	1/6	3/4
IDB10 / IDBX10	3000	0.77	2800	0.96	2600	1.04	2300	1.09	1900	1.08	1/6	1-1/2
IDB12 / IDBX12	3700	0.86	3300	0.99	2900	1.07	2400	1.10	1600	0.93	1/6	1-1/2
IDB15 / IDBX15	6100	0.77	5800	0.93	5000	0.96	4100	0.94	3700	1.00	1/3	3

Power rating (BHP) does not include transmission losses. Performance certified is for installation type B: Free inlet, Ducted outlet. Performance ratings do not include the effect of appurtenances (accessories).

CONSULT OUR DELAIR SOFTWARE FOR FAN CURVES & FULL PERFORMANCE DATA. [WWW.CANARM.COM/DELAIR](http://WWW.CANARM.COM/DELAIR)

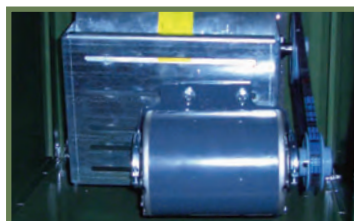


View FEI charts  
[canarm.com/fei-idb](http://canarm.com/fei-idb)

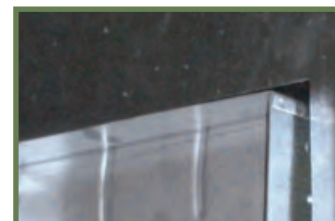


Canarm certifies that the IDB Series shown herein are licensed to bear the AMCA Seal. The ratings shown are based on tests and procedures performed in accordance with AMCA Publications 211 & 311 and comply with the requirements of the AMCA Certified Ratings Programme.

The AMCA certified ratings seal applies to air and sound performance only. The IDB Series shown herein are not approved by AMCA for FEI ratings.



SADDLE TYPE MOTOR MOUNTING PLATFORM PROVIDES EXTENDED BELT TENSION ADJUSTMENT RANGE ON IDB MODELS



FORWARD CURVED BLOWERS OPERATE AT LOW RPM FOR LOW NOISE

**NOTE: IDB-X MODELS ARE NOT ETL OR AMCA CERTIFIED AT THIS TIME.**

# SCENTINEL-IDB

## Forward Curved Odour Control Blower Kit



SCT-IDB12 with 16 filters shown

- Carbon infused odour treatment system for recirculating, redistributing or exhausting air.
- Durable galvanized, steel construction.
- Delhi blowers will not “surge”, “hunt” or “stall.”
- Ideal for indoor applications.
- Optional variable pitch motor pulley permits field adjustment (typically + or - 15%) to match air delivery needs.
- Quiet forward curved blowers operate at 1/2 the RPM of other inline blowers.



Advanced high efficiency filter system. Includes modular corrosion resistant canister filters with maximum absorbent media.

### INDUSTRIES SERVED

- Licensed Medical Cannabis Producers
- Commercial HVAC
- Ventilation
- Heating
- Cooling
- Construction

### FEATURES

- **Wheel Diameters:** 6”, 10” or 12”
- **CFM:** Up to 2000 in a single blower.
- Constructed from galvanized steel for durability.
- Forward Curved blowers operate at low RPM for low noise levels.
- Heavy duty ball bearings suitable for -65° F to +250° F.
- Saddle type motor mounting platform provides extended belt tension adjustment range on all IDB models.

### TYPICAL APPLICATIONS FOR OUR ODOUR CONTROL BLOWERS

- An odour abatement fan for licensed medical cannabis producers.
- Can be used as exhaust, redistribution or recirculation.
- As an air moving module for systems built up with other components such as heating/cooling coils.
- Noise sensitive areas - the low RPM forward curved wheel typically radiates less vibration than higher RPM backward inclined wheel solutions.

### PERFORMANCE SPECIFICATIONS

MODEL	TYPICAL MAXIMUM CFM @ SP					Max HP	# FILTERS
	1/2" SP	1" SP	1 1/2" SP	2" SP	2 1/2" SP		
SCT-IDB10	1000	1000	1000	1000	1000	1 1/2	8
SCT-IDB12	2000	2000	2000	2000	1500	1 1/2	16
SCT-DFRC6ES	160	95	50	--	--	--	1

NOTE: SP from filters is 0.70" SP



SCT-DFRC6ES with 1 filter



SCT-IDB12 with 16 filters shown



**200 SERIES**  
Indoor Applications,  
Insulated or Non-Insulated



**9200 SERIES**  
Heavy duty, Insulated Indoor  
or Outdoor Applications



**9200-VIB SERIES**  
With Internal Spring  
Vibration Isolation



**TWIN UNIT AVAILABLE**

Call for pricing & availability.

# 200, 9200 & 9200-VIB SERIES

## Single & Twin Forward Curved Inline Duct Blowers

- As part of an HVAC system Delhi Duct Blowers will not “surge”, “hunt”, or “stall”.
- Optional variable pitch motor pulley permits field adjustment (typically + or - 15%) to match air delivery needs.
- For the quietest operational needs we offer optional internal spring isolation of the blower/motor from the housing thus greatly reducing radiated cabinet noise (9200-VIB only).
- Our twins (two duct blowers on a common shaft) is a wide but not tall solution for situations where vertical space is limited.
- Quiet forward curved blowers operate at ½ the rpm of other inline solutions.
- An outdoor series, 9200, is available.



### INDUSTRIES SERVED

- Commercial HVAC
- Heating
- Ventilation
- Cooling
- Construction



Canarm certifies that the 200 & 9200 Series shown herein are licensed to bear the AMCA Seal. The ratings shown are based on tests and procedures performed in accordance with AMCA Publications 211 & 311 and comply with the requirements of the AMCA Certified Ratings Programme.

The AMCA certified ratings seal applies to air and sound performance only. The 200 & 9200 Series shown herein are not approved by AMCA for FEI ratings.

### FEATURES

- **Wheel Diameters:** 7” through 20”
- **CFM:** Approximately 500 to 12,500 CFM in a single blower (Twins available).
- **Static Pressure:** Usage to about 3” static pressure is common, although allowable range is higher.
- Constructed from cold rolled steel, with green baked on powder coat. The outdoor unit uses protective galvaneal steel under the powder coat.
- Forward Curved blowers operate at low RPM for low noise levels.
- Heavy duty ball bearings suitable for -65° F to +250° F.
- Keywayed shafts both ends for clockwise or counter clockwise rotation.
- Saddle type motor mounting platform provides extended belt tension adjustment range on all models.
- 9200 series may be mounted vertically or horizontally. VIB option is horizontal mount only. Cannot be vertically mounted.

*Twin Units use a common shaft for balanced air supply by each blower.*

### TYPICAL APPLICATIONS FOR OUR INLINE BLOWERS

- An Inline make-up air solution for cases where a rooftop curb mounted solution is not available.
- As an air moving module for systems built up with other components such as heating/cooling coils.
- Noise sensitive areas - the low rpm forward curved wheel typically radiates less vibration than higher rpm backward inclined wheel solutions.
- When the application requires an air mover in a duct system located in a ceiling space.
- Redistribution or recirculation of air in a work space.
- Interlocked with entry doors to prevent entry of cold outdoor air into retail sales space and thus greets customers with warmth.
- Bathroom/ rest room exhaust - one duct blower serving multiple intakes.

### PERFORMANCE SPECIFICATIONS

MODEL	TYPICAL MAXIMUM CFM @ SP											
	1/2" SP		1" SP		1 1/2" SP		2" SP		2 1/2" SP		Min HP	Max HP
	CFM	FEI	CFM	FEI	CFM	FEI	CFM	FEI	CFM	FEI		
207	1400	0.80	1300	0.96	1100	1.05	1000	1.08	800	1.04	1/6	3/4
209	2000	0.91	1800	1.09	1500	1.21	1100	1.12	800	1.04	1/6	3/4
9209	2500	0.65	2400	0.81	2300	0.91	2100	1.01	1900	1.07	1/6	1 1/2
210	3000	0.77	2800	0.96	2600	1.04	2300	1.09	1900	1.08	1/6	1 1/2
9210	3000	0.71	2800	0.90	2600	1.00	2300	1.07	1900	1.07	1/6	1 1/2
212	3700	0.86	3300	0.99	2900	1.07	2400	1.10	1600	0.93	1/6	1 1/2
9212	4900	0.63	4600	0.74	4200	0.84	3900	0.91	3500	0.98	1/6	3
215	6100	0.77	5800	0.93	5000	0.96	4100	0.94	3700	1.00	1/3	3
9215	7700	0.62	7200	0.74	6800	0.83	6300	0.91	5800	0.96	1/3	5
218	9700	0.74	9000	0.86	8200	0.96	7400	1.01	6200	0.98	1/2	5
9218	9500	0.71	8800	0.85	8000	0.93	7200	0.98	6100	0.97	1/2	5
9220	16000	0.45	15400	0.54	14800	0.62	14100	0.69	13300	0.75	3/4	15



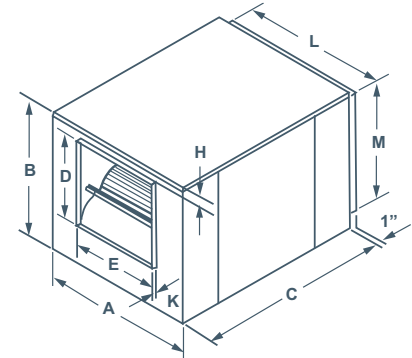
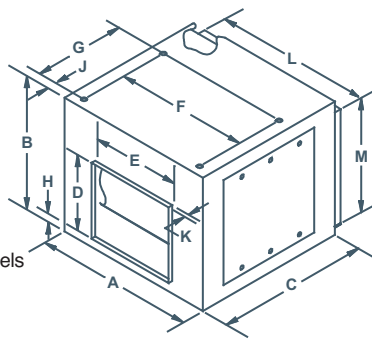
View FEI charts  
[canarm.com/fei-200](http://canarm.com/fei-200)

Power rating (BHP) does not include transmission losses. Performance certified is for installation type B: Free inlet, Ducted outlet. Performance ratings do not include the effect of apertures (accessories).

CONSULT OUR DELAIR SOFTWARE FOR FAN CURVES & FULL PERFORMANCE DATA. [WWW.CANARM.COM/DELAIR](http://WWW.CANARM.COM/DELAIR)

# IDB, IDB-X, 200, 9200 & 9200-VIB SERIES

Single & Twin Forward Curved Inline Duct Blowers



Twin unit available for 200, 9200, 9200-VIB models  
Call for pricing & availability.

## DIMENSIONS

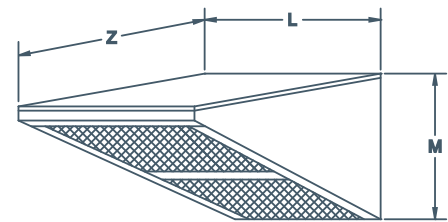
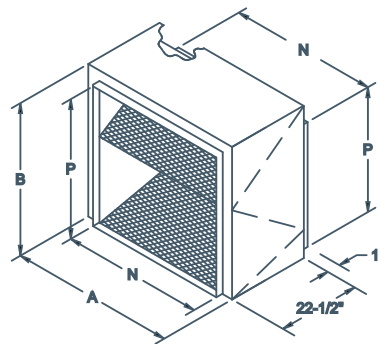
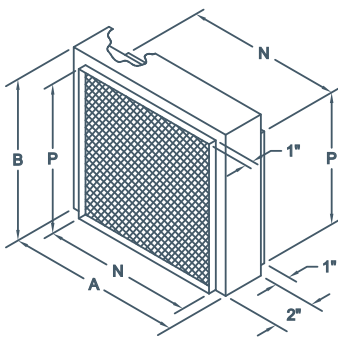
MODEL	A	B	C	OUTLET							INLET		SHAFT DIAMETER	UNIT WEIGHT (LBS) (without motor)
				D	E	F	G	H	J	K	L	M		
IDB07 / IDB-X / 207	18"	15.375"	23"	8 1/4"	9 3/16"	14 1/2"	9 5/8"	1 1/4"	1 1/4"	7/8"	15 7/8"	13 3/8"	3/4"	43
IDB09 / IDB-X / 209	21"	18"	23"	10 1/4"	11 13/16"	17 1/2"	11 3/4"	1 1/4"	1 3/4"	7/8"	19"	16"	3/4"	55
IDB10 / IDB-X / 210	22.25"	20"	24 3/4"	11 3/8"	13 1/8"	18 3/4"	13 3/8"	1 1/4"	1 3/4"	7/8"	20 1/4"	18"	3/4"	65
IDB12 / IDB-X / 212	27"	23"	27 1/2"	13 7/16"	15 5/8"	23 1/2"	16 1/8"	1 1/4"	1 3/4"	7/8"	25"	21"	3/4"	82
IDB15 / IDB-X / 215	33.5"	28"	32"	15 7/8"	18 5/8"	28"	19 1/2"	2 5/8"	1 3/4"	7/8"	30 1/2"	25"	1"	140
218	41.5"	34"	44"	19 5/8"	22 5/8"	35"	24"	2 3/4"	1 3/4"	1 1/8"	35 3/8"	31 5/8"	1"	158
9209	21"	18"	23"	11 1/4"	12 3/4"	N/A	N/A	1"	N/A	1 1/8"	19"	16"	3/4"	61
9210	22 1/4"	20"	24 3/4"	12 3/8"	14 1/8"	N/A	N/A	1"	N/A	1 1/8"	20 1/4"	18"	3/4"	70
9212	30 1/8"	24 3/4"	34"	14 1/2"	16 5/8"	N/A	N/A	2 1/8"	N/A	1 1/8"	25 1/8"	21 1/8"	1"	143
9215	33 3/4"	28 5/8"	38 1/8"	17"	19 5/8"	N/A	N/A	2 1/8"	N/A	1 1/8"	30 5/8"	25 1/4"	1"	176
9218	41 1/2"	34"	44"	19 5/8"	22 5/8"	N/A	N/A	2 3/4"	N/A	1 1/8"	35 3/8"	31 5/8"	1"	323
9220	44 3/4"	41 1/8"	57 1/2"	25 3/4"	25 3/4"	N/A	N/A	3"	N/A	1 1/8"	38 3/8"	35 1/8"	1 7/16"	515

## ACCESSORIES

- Filter sections
- Intake Hoods
- External Vibration Isolators
- Hot Water Coils
- Chilled Water Coils

# FILTER SECTIONS & INTAKE HOODS

Series F200A, F9200A & H9200



**F200A FILTER SECTION**  
For IDB, IDB-X, 200 & 9200 Series  
Duct Blowers

**F9200A FILTER SECTION**  
For Model 9200 Duct Blowers

**H9200 INTAKE HOOD**  
For 9200 Series Duct Blowers

MODEL	A	B	N	P	FILTER		UNIT WEIGHT (LBS)
					SIZE	QUANTITY	
F207A	17 3/4"	15 3/8"	16"	13 1/2"	14 1/8" X 16 5/8"	1	11
F209A	21"	18"	19 1/8"	16 1/8"	16 3/4" X 19 7/8"	1	12
F210A	22 1/4"	20"	20 3/8"	18 1/8"	18 3/4" X 21 1/8"	1	14
F212A	27"	23"	25 1/8"	21 1/8"	21 3/4" X 25 7/8"	1	16
F215A	32 1/2"	26 3/4"	30 5/8"	25 1/8"	25 3/4" X 31"	1	21
F218A	37"	33 1/4"	35 1/4"	31 1/2"	32 1/4" X 35 7/8"	1	46
F9220A	39 3/4"	37 1/4"	38 1/2"	35 1/4"	20" X 25"	6	64

MODEL	L	M	Z	FILTER		UNIT WEIGHT (LBS)
				SIZE	QUANTITY	
H9209	19 1/4"	16 9/16"	21 1/4"	16" X 24"	1	14
H9210	20 1/2"	18 9/16"	25 3/4"	15" X 20"	2	16
H9212	25 3/8"	21 9/16"	30 3/4"	20" X 25 & 16" X 25"	2	27
H9215	31 3/16"	25 13/16"	33 1/2"	20" X 28 1/2"	2	38
H9218	35 5/8"	32 11/16"	40 1/4"	20" X 25 (2) & 16" X 25"	3	50
H9220	38 5/8"	35 9/16"	22"	FILTERS NOT INCLUDED USE F9220A		40

# HC & CW SERIES

## Heating & Cooling Coils



2 Row Coil  
Horizontal or Vertical  
Installation

### HC SERIES

Hot Water Heating Coils



4 Row Coil Sloped  
Drain Pan for Positive  
Condensate  
Removal

### CW SERIES

Chilled Water Cooling Coils  
with built in Condensate pan

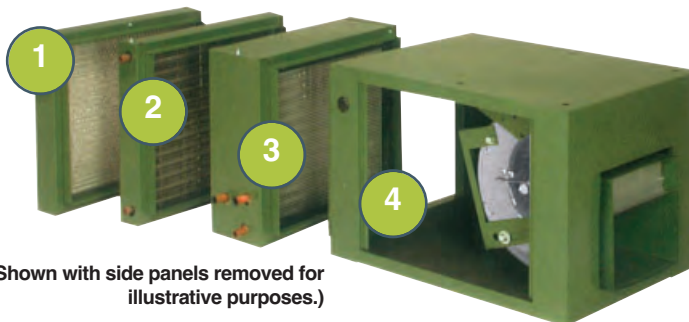
### FEATURES

- Designed for use with matching Canarm 200, IDB or 9200 Series Duct Blower & Filter Section.
- Modular concept provides the flexibility and convenience of assembling readily available components into a system to meet custom heating and cooling requirements.
- Lead free construction - Safe for use with potable water systems.
- Attractive green baked powder coat cabinet finish.
- Convenient for both new or renovation installations.
- Aluminum finish on copper tube construction.
- Suitable for remote installation in duct.

All coils are sized to mount to the inlet of the corresponding sized duct blower or coil and filter section as illustrated in the modular set up.

#### Typical System comprised of Filter section, Heating Coil & Duct Blower)

- 1 - F210 Filter Section
- 2 - HC-10 Hot Water Coil
- 3 - CW-10 Cooling Coil
- 4 - 210 Duct Blower



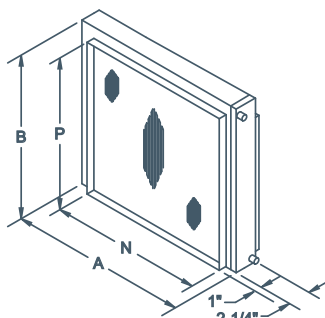
(Shown with side panels removed for illustrative purposes.)

MATCHING COIL SECTIONS				
DUCT BLOWER	HEATING COIL	CHILLED WATER COIL	FILTER	INTAKE HOOD
207 / IDB07	HC-07	CW-07	F207A	N/A
209 / IDB09 / 9209	HC-09	CW-09	F209A	H9209
210 / IDB10 / 9210	HC-10	CW-10	F210A	H9210
212 / IDB12 / 9212	HC-12	CW-12	F212A	H9212
215 / IDB15 / 9215	HC-15	CW-15	F215A	H9215

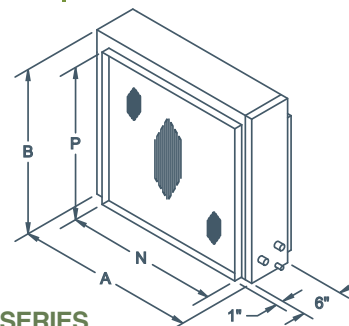
### DIMENSIONS

MODEL	HC-CW COILS					HC COILS			CW COILS		
	A (HC)	A (CW)	B	N	P	INLET	OUTLET	UNIT WEIGHT (LBS)	INLET	OUTLET	UNIT WEIGHT (LBS)
HC-07 & CW-07	17 3/4"	17 3/4"	15 3/8"	16"	13 1/2"	5/8"	5/8"	10	5/8"	5/8"	22
HC-09 & CW-09	21"	21"	18"	19 1/8"	16 1/8"	5/8"	5/8"	14	7/8"	7/8"	29
HC-10 & CW-10	22 1/4"	22 1/4"	20"	20 3/8"	18 1/8"	5/8"	5/8"	17	7/8"	7/8"	36
HC-12 & CW-12	27"	27"	23"	25 1/8"	21 1/8"	3/4"	3/4"	23	7/8"	7/8"	42
HC-15 & CW-15	32 1/2"	33 1/2"	26 3/4"	30 5/8"	25 1/8"	3/4"	3/4"	32	7/8"	7/8"	61

DRAIN IS 5/8" IN -OD



HC SERIES



CW SERIES



AVAILABLE WITH MOTORS & DRIVES FACTORY INSTALLED. CONSULT OUR DELAIR FAN SELECTION SOFTWARE FOR DETAILS.

# 400 SERIES

## FC Exhauster Belt Drive Utility Blowers



OPTIONAL 1 TO 15 HP MOTOR PLATFORM FOR MODELS 420, 422 & 425

### FEATURES

- Universal frame allows for choice of discharge position.
- Multiple choice for motor mounting location with each discharge position.
- Motor mounting hardware supplied with models 407 to 418.
- Optional platform for models 420 to 425.
- Keywayed shafts
- Ball bearings suitable for -65° to +250° F.
- Spider bearing brackets for models 407 - 418. Pillow block bearings with T bar support for models 420, 422 & 425.
- Optional back draft dampers, inlet & outlet screens and belt guards.
- Shafts 420, 422 & 425 models are keywayed for wheels and pulleys (407 to 418 models for pulleys only).

### PERFORMANCE SPECIFICATIONS

MODEL	TYPICAL MAXIMUM CFM @ SP										Max HP
	1/2" SP		1" SP		1 1/2" SP		2" SP		2 1/2" SP		
	CFM	FEI	CFM	FEI	CFM	FEI	CFM	FEI	CFM	FEI	
407	1000	0.47	900	0.56	800	0.63	700	0.64	500	0.59	1
409	2100	0.52	2000	0.62	1900	0.71	1800	0.79	1700	0.85	2
410	2600	0.61	2400	0.72	2300	0.80	2200	0.88	2000	0.99	2
412	3000	0.70	2800	0.82	2700	0.90	2500	0.97	2300	1.06	2
415	5300	0.76	4800	0.86	4500	0.95	4200	1.03	3600	1.00	3
418	6700	0.60	6300	0.68	5900	0.77	5500	0.84	5200	0.91	5
420	9300	0.52	8900	0.62	8500	0.72	8100	0.80	7700	0.87	7-1/2
422	10300	0.54	9800	0.64	9200	0.74	8600	0.82	8000	0.88	7-1/2
425	14300	0.87	13500	0.68	12500	0.76	11900	0.84	11400	0.94	10



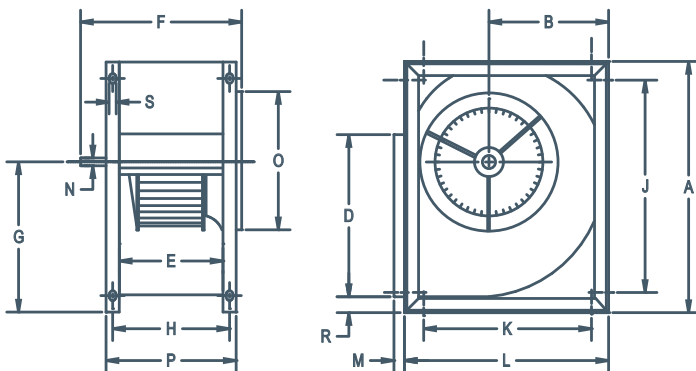
View FEI charts  
[canarm.com/fei-400](http://canarm.com/fei-400)

Power rating (BHP) does not include transmission losses. Performance certified is for installation type B: Free inlet, Ducted outlet. Performance ratings do not include the effect of appurtenances (accessories).

FOR FAN CURVES & FULL PERFORMANCE DATA, CONSULT OUR DELAIR SOFTWARE. [WWW.CANARM.COM/DELAIR](http://WWW.CANARM.COM/DELAIR)

### DIMENSIONS

MODEL	A	B	D	E	F	G	H	J	K	L	M	N	O	P	R	S	WHEEL DIAMETER	WHEEL WIDTH	UNIT WEIGHT (LBS) (without motor)
407	14 1/4"	6 1/2"	8 3/8"	6 7/8"	11 5/8"	8 5/8"	8"	11 1/16"	8 7/8"	11 3/4"	3/4"	3/4"	9"	9"	1 1/2"	7/16"	8 1/26"	4 15/16"	16
409	17 1/4"	7 15/16"	10 1/4"	9 3/16"	13 15/16"	10 1/8"	10 5/16"	14 5/8"	11 3/4"	14 1/2"	3/4"	3/4"	10"	11 5/16"	1 1/2"	7/16"	9 13/16"	7 3/16"	23
410	19 1/8"	9"	11 3/8"	9 3/16"	13 15/16"	11 1/4"	10 5/16"	16 1/4"	13 1/2"	16 1/4"	3/4"	3/4"	12"	11 5/16"	1 1/2"	7/16"	11 1/8"	7 3/16"	26
412	22 1/4"	10 9/16"	13 1/2"	9 3/16"	13 15/16"	13"	10 5/16"	19 5/8"	16 1/4"	19"	3/4"	3/4"	14"	11 5/16"	1 1/2"	7/16"	12 7/8"	7 3/16"	30
415	29 3/4"	14 3/4"	17"	12 1/2"	17 3/8"	18 1/8"	13 3/4"	27 1/4"	22 5/8"	25 1/4"	3/4"	1"	17"	14 3/4"	1 1/2"	7/16"	15 1/2"	9 9/16"	56
418	30 3/4"	14 15/16"	18 7/8"	14"	20 3/8"	17 3/4"	15 5/8"	28 1/2"	24"	26 1/2"	3/4"	1"	18"	17 1/4"	1 1/2"	7/16"	18 1/2"	10 13/16"	87
420	38"	18 5/16"	24 3/4"	15 3/4"	24 1/4"	22 9/16"	17 1/4"	32 7/16"	25 7/16"	31 1/4"	1 1/2"	1 3/16"	21"	19 3/4"	2"	5/8"	20 7/16"	10 1/4"	189
422	41 1/2"	20 1/16"	27 1/4"	17 1/8"	25 5/8"	24 5/8"	18 5/8"	35 31/32"	28 15/32"	34 1/4"	1 1/2"	1 3/16"	22 1/2"	21 1/8"	2"	5/8"	22 1/8"	11 1/4"	214
425	46 3/4"	22 5/8"	31 1/4"	19 5/8"	28 1/2"	27 3/4"	21 1/8"	41 7/32"	32 17/32"	38 3/8"	1 1/2"	1 3/16"	26 3/4"	23 5/8"	2"	5/8"	25 1/4"	13"	252



### ACCESSORIES

- Back Draft Dampers
- Inlet & Outlet Screens
- Corrosion Resistant Finishes
- Vibration Isolation
- Belt Guard

For more information on available accessories, see page C14 in Roof Mount Ventilation section.



# DSQ-B SERIES

Backward Inclined Belt Drive Square Inline Blowers



UNIT WITH MOTOR COVER REMOVED.

## FEATURES

- Available in 10" to 27" sizes.
- Heavy duty, non-overloading backward inclined wheel.
- Pivoted motor mounting base for convenient belt tension adjustment.
- Air handler pillow block bearings mounted on rigid angle iron frame.
- Leak proof access panels with gasket.
- Angle iron mounting lugs can be relocated for base or suspension mounting or positioning motor on the top, side or bottom of blower.
- For side discharge simply re-locate the side panel to the normal discharge opening.
- Motor cover supplied.
- Junction box.

**MOTORS & DRIVES**

AVAILABLE WITH MOTORS & DRIVES FACTORY INSTALLED. CONSULT OUR DELAIR FAN SELECTION SOFTWARE FOR DETAILS.



## PERFORMANCE SPECIFICATIONS

MODEL	TYPICAL MAXIMUM CFM @ SP																Min HP	Max HP
	1/2" SP				1" SP				1 1/2" SP				2" SP					
	CFM	BHP	FEI	FEPact (kw)	CFM	BHP	FEI	FEPact (kw)	CFM	BHP	FEI	FEPact (kw)	CFM	BHP	FEI	FEPact (kw)		
DSQ-B-10	1700	0.87	0.58	0.87	1500	0.96	0.68	0.95	1300	0.96	0.78	0.95	1100	1	0.81	0.98	1/4	1
DSQ-B-12	2700	1.33	0.57	1.27	2400	1.31	0.74	1.25	2100	1.29	0.87	1.23	1900	1.4	0.91	1.33	1/4	1 1/2
DSQ-B-13	3100	1.4	0.61	1.33	2800	1.47	0.76	1.39	2400	1.42	0.88	1.35	2000	1.44	0.92	1.37	1/3	1 1/2
DSQ-B-15	4000	1.93	0.56	1.79	3600	1.96	0.72	1.81	3200	1.99	0.83	1.84	2600	1.88	0.89	1.74	1/3	2
DSQ-B-16	5400	2.55	0.57	2.31	5000	2.68	0.73	2.43	4600	2.8	0.84	2.53	4000	2.71	0.93	2.45	1/3	3
DSQ-B-18	6000	2.46	0.64	2.24	5600	2.74	0.78	2.48	5000	2.75	0.91	2.48	4400	2.76	0.99	2.49	1/2	3
DSQ-B-20	7200	2.94	0.63	2.65	6400	2.97	0.81	2.67	5600	2.99	0.92	2.69	4600	2.9	0.98	2.61	1/2	3
DSQ-B-22	9500	4.22	0.59	3.72	9000	4.6	0.74	4.04	8300	4.8	0.86	4.21	7500	4.89	0.94	4.28	3/4	5
DSQ-B-24	12500	6.32	0.52	5.48	12000	6.9	0.66	5.96	11200	7.12	0.78	6.14	10500	7.48	0.87	6.44	1	7 1/2
DSQ-B-27	14500	6.81	0.55	5.88	13500	7.06	0.72	6.09	12500	7.36	0.83	6.34	11000	7.16	0.93	6.17	1	7 1/2

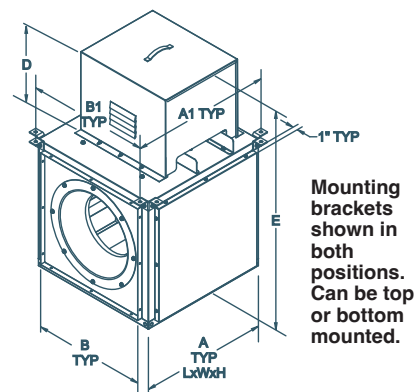
Power rating (BHP) does not include transmission losses. Performance certified is for installation type B - Free inlet, Ducted Outlet. Performance ratings do not include the effects of appurtenances (accessories).

FOR FAN CURVES & FULL PERFORMANCE DATA, CONSULT OUR DELAIR SOFTWARE.

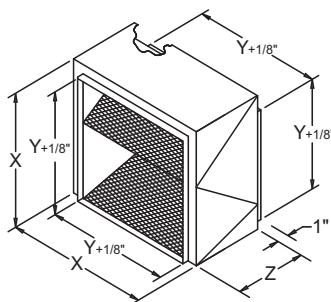
[WWW.CANARM.COM/DELAIR](http://WWW.CANARM.COM/DELAIR)

## DIMENSIONS

DSQ-B BELT DRIVE BACKWARD INCLINED SQUARE INLINE BLOWER							
MODEL	L" X W X H	INLET/OUTLET	MOUNTING BRACKET HOLES		MOTOR ENCLOSURE		WEIGHT (lbs) without motor
	A	B	A1	B1	D	E	
DSQ-B-10	20 1/16"L X 16 1/16"W X 16 1/16"H	14"	20 9/13"L X 18 9/16"W X 18 9/16"H	19"L X 15"W X 15"H	15 1/4"	34 5/16"	62
*NOTE: With the exception of DSQ-B-10, all models are cubes (DSQ-B-10 has extended length)							
DSQ-B-12	20 1/16"	17"	22 9/16"	18 3/4"	15 1/4"	35 5/16"	73
DSQ-B-13	22 1/16"	18 3/4"	24 9/16"	20 3/4"	15 1/4"	37 5/16"	85
DSQ-B-15	24 9/16"	20 7/8"	27"	23"	15 1/4"	39 13/16"	95
DSQ-B-16	26 1/16"	23"	28 9/16"	24 3/4"	16 3/4"	42 13/16"	123
DSQ-B-18	28 11/16"	25 3/8"	31 3/16"	27 1/8"	16 3/4"	45 7/16"	140
DSQ-B-20	31 7/16"	27 3/4"	33 7/8"	29 7/8"	16 3/4"	48 3/16"	165
DSQ-B-22	34 1/16"	31"	36 9/16"	32 3/4"	21 3/4"	55 13/16"	211
DSQ-B-24	37 9/16"	34"	40"	36"	21 3/4"	59 5/16"	241
DSQ-B-27	41 3/8"	37 1/2"	43 13/16"	39 5/16"	21 3/4"	63 1/8"	280



F-DSQ FILTER SECTION					
MODEL	X	Y	Z	FILTER FACTOR	UNIT WEIGHT(LBS)
F-DSQ-10	20 1/16"L X 16 1/16"W X 16 1/16"H	14"	6"	7.085	10
F-DSQ-12	20 1/16"	17"	6"	3.069	13
F-DSQ-13	22 1/16"	18 3/4"	6"	2.184	15
F-DSQ-15	24 9/16"	20 7/8"	14"	0.762	26
F-DSQ-16	26 1/16"	23"	14"	0.630	27
F-DSQ-18	28 11/16"	25 3/8"	14"	0.463	30
F-DSQ-20	31 7/16"	27 3/4"	14"	0.346	33
F-DSQ-22	34 1/16"	31"	20"	0.182	57
F-DSQ-24	37 9/16"	34"	20"	0.134	64
F-DSQ-27	41 3/8"	37 1/2"	20"	0.100	71

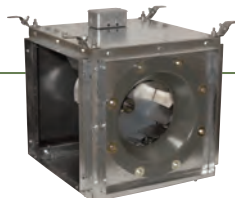


## ACCESSORIES

- F-DSQ Filter section with 'V' bank 1" aluminum filters. (Filter rack will accept customer supplied 2" filters).
- Suspension or base mount vibration isolators.

## RELATED MODEL

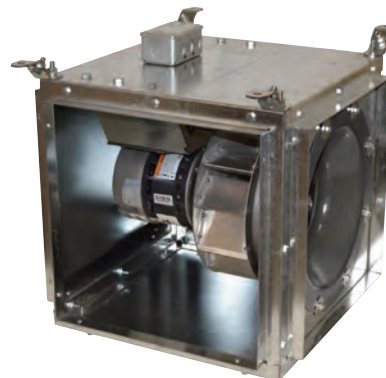
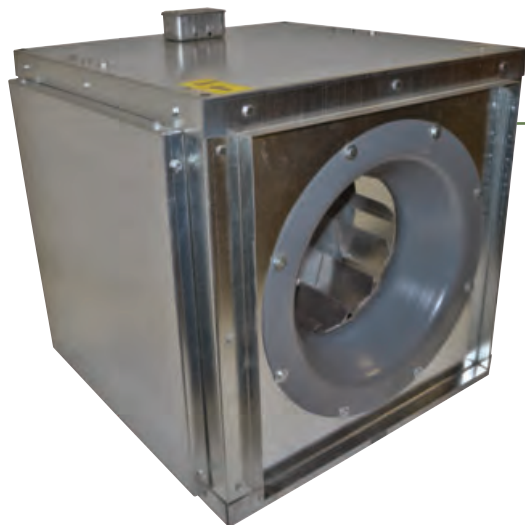
**GSQ-D**  
Backward Inclined Direct Drive Square Inline Blower



Filter Resistance = Filter Factor x CFM<sup>2</sup> x 10<sup>-8</sup> in. wg

# GSQ-D SERIES

Backward Inclined Direct Drive Square Inline Blowers



INSULATED OPTIONS AVAILABLE.

SHOWN WITH EC MOTOR

## FEATURES

- Available in 9" to 18".
- High efficiency aluminum wheel.
- Side discharge option as standard - simply re-locate the side panel to the discharge.
- Bottom discharge available with flange kit.
- Junction box.
- GSQ-D-V with PSC variable speed motor.
- High Efficiency EC variable speed motor available.
- All standard single phase motor are single speed.
- All 3 phase motors are VFD compatible.
- Consult factory for different motor options.
- Multiple Mounting options.

## PERFORMANCE SPECIFICATIONS

MODEL	TYPICAL MAXIMUM CFM @ SP						HP	MAX HP	RPM
	1/4" SP	1/2" SP	3/4" SP	1" SP	1 1/4" SP	1 1/2" SP			
GSQ090-D-EC	425	325	175	--	--	--	1/4	1/4HP	1800
GSQ105-D-EC	1150	1000	825	550	--	--	1/3	1/3 HP	1800
GSQ120-D-EC	1725	1575	1425	1200	1025	500	1/2	1/2 HP	1800
GSQ135-D-EC	2575	2400	2250	2000	1850	1400	3/4	3/4 HP	1800
GSQ150-D-EC	3300	3100	2825	2450	2200	1900	1	1 HP	1800
GSQ165-D-EC	3750	3350	2950	2550	2250	1900	1	1 HP	1500
GSQ180-D-EC	4200	3650	3250	2550	--	--	1	1 HP	1200

\*Also available with EC motor. See Green Series.

Power rating (BHP) does not include transmission losses. Performance certified is for installation type B - Free inlet, Ducted Outlet. Performance ratings do not include the effects of appurtenances (accessories).

CFM values listed above are summarized for convenience.

FOR FAN CURVES & FULL PERFORMANCE DATA, CONSULT OUR DELAIR SOFTWARE. DOWNLOAD DELAIR @ WWW.CANARM.COM/DELAIR

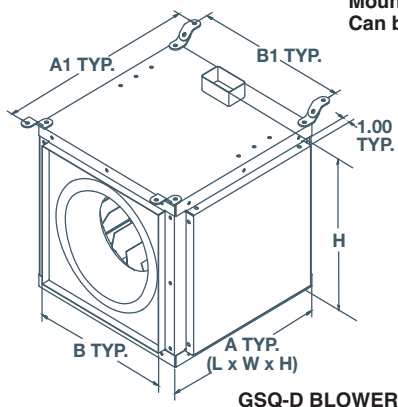
## DIMENSIONS

GSQ-D DIRECT DRIVE BACKWARD INCLINED SQUARE INLINE BLOWER					
MODEL	A	B	A1	B1	H
GSQ090-D	15 5/64"	11 5/64"	18 37/64	11	15 7/16"
GSQ105-D	17 1/8"	14 5/8"	21 1/2"	15 3/8"	18 15/16"
GSQ120-D	20"	17"	24 3/8"	17 3/4"	21 13/16"
GSQ135-D	22"	18 3/4"	26 3/8"	19 1/2"	23 13/16"
GSQ150-D	24 1/2"	20 7/8"	38 3/8"	21 5/8"	26 5/16"
GSQ165-D	26 3/4"	23"	31 1/8"	23 3/4"	28 9/16"
GSQ180-D	29 5/8"	25 3/8"	34"	26 1/8"	31 7/16"

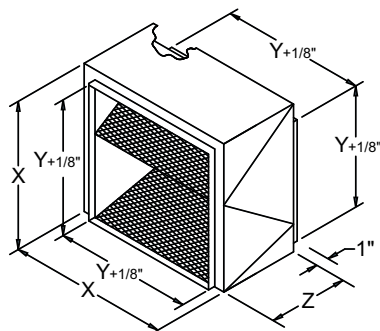
F-GSQ FILTER SECTION					
MODEL	A	B	Z	FILTER FACTOR	UNIT WEIGHT(LBS)
F-DSQ090	15 5/64"	11 5/64"	6"	7.085	9 lbs
F-DSQ105	20"	14"	6"	7.085	10
F-DSQ120	20"	17"	6"	3.069	13
F-DSQ135	22"	18 3/4"	6"	2.184	15
F-DSQ150	24 1/2"	20 7/8"	14"	0.762	26
F-DSQ165	26"	23"	14"	0.63	27
F-DSQ180	28 5/8"	25 3/8"	14"	0.463	30

Filter Resistance = Filter Factor x CFM<sup>2</sup> x 10<sup>-8</sup> in. wg

Mounting brackets shown in both positions. Can be top or bottom mounted.



GSQ-D BLOWER



FILTER SECTION

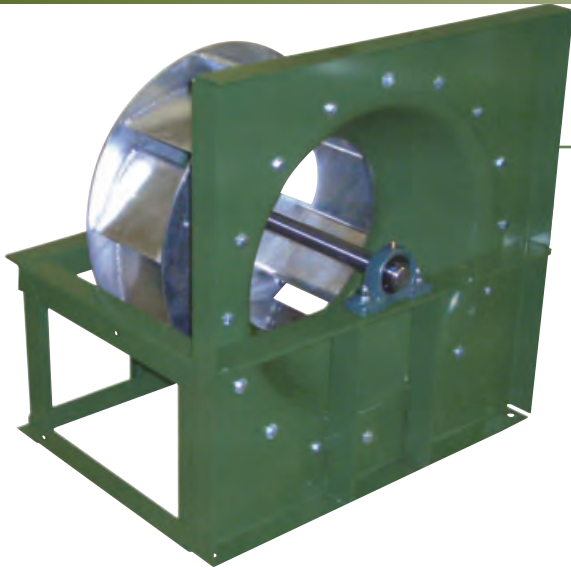
## ACCESSORIES

- F-DSQ Filter section with 'V' bank 1" aluminum filters. (Filter rack will accept customer supplied 2" filters).
- Suspension or base mount vibration isolators.
- Insulated cabinet available (see price list).

## RELATED MODEL

**GSQ-B**  
Backward Inclined Belt Drive Square Inline Blower

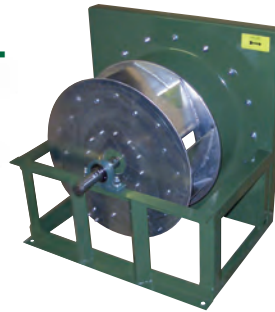




**ASK US ABOUT**  
Direct Drive  
Plenum Fan Option

# DPL & DPL-AF SERIES

## Flat Blade & Air Foil Blade Plenum Fans



DPL-AF BACK VIEW

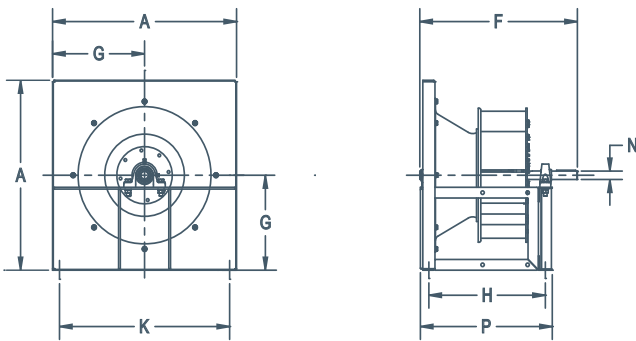


DPL BACK VIEW

### FEATURES

- Rigid welded angle iron frame construction.
- Full Class II capability.
- Min L10 bearing life of 35,000 hrs (average - L50 bearing life of 175,000 hrs).
- Standard welded backwardly inclined flat blade wheel for DPL-12 to DPL-36 (Aluminum available as option).
- Standard welded aluminum backward inclined airfoil wheel for DPL-18-AF to DPL-27-AF.

### DIMENSIONS



MODEL	A	F	G	H	K	N	P	UNIT WEIGHT (LBS) (without motor & drives)
DPL-12	18 3/4"	17 5/8"	9 3/8"	12 1/2"	16 3/4"	1"	14 1/8"	51
DPL-13	20 5/8"	17 5/8"	10 5/16"	12 1/2"	18 5/8"	1"	14 1/8"	57
DPL-15	22 15/16"	18 5/8"	11 15/32"	13 1/2"	20 15/16"	1"	15 1/8"	68
DPL-16	24"	20 1/8"	12"	14-1/2"	22"	1 3/16"	16 1/8"	80
DPL-18 & DPL-AF-18	26 9/16"	22 3/4"	13 9/32"	16 13/16"	24 9/16"	1 3/16"	19 1/16"	91
DPL- 20 & DPL-AF-20	29 1/16"	24 1/16"	14 17/32"	18 1/16"	27 1/16"	1 3/16"	20 5/16"	104
DPL-22 & DPL-AF-22	31"	27 1/16"	15 1/2"	20 7/16"	29"	1 7/16"	22 15/16"	148
DPL-24 & DPL-AF-24	34 1/8"	28 5/8"	17 1/16"	22"	32 1/8"	1 7/16"	24 1/2"	185
DPL-27 & DPL-AF-27	37 5/8"	30 7/16"	18 13/16"	23 13/16"	35 5/8"	1 7/16"	26 5/16"	205
DPL-30 & DPL-AF-30	40"	34"	20"	26 3/8"	38"	1 11/16"	29 3/16"	248
DPL-33 & DPL-AF-33	44"	36 15/16"	22"	28 3/8"	42"	1 15/16"	31 3/16"	306
DPL-36 & DPL-AF-36	48 11/16"	39"	24 11/32"	30 7/8"	46 11/16"	1 15/16"	33 11/16"	357

\*DPL-AF-30, 33 and 36 currently under redesign. Please call factory.

### PERFORMANCE SPECIFICATIONS

MODEL	CLASS	1" SP	3" SP	5" SP	7" SP	9" SP
DPL-12	II	4300	4000	3600	3000	--
DPL-13	II	5200	4700	4000	3000	--
DPL-15	II	5900	5200	4200	2800	--
DPL-16	II	7600	6800	5700	4200	--
DPL-18	I	7200	6400	2400	--	--
DPL-AF-18	II	9500	8500	7500	6500	4300
DPL- 20	I	8800	7600	5200	--	--
DPL-AF-20	II	11500	10500	9000	7200	5000
DPL-22	I	12000	9500	4500	--	--
DPL-AF-22	II	14500	13000	11000	9000	7000
DPL-24	I	14000	12500	8000	--	--
DPL-AF-24	II	16000	14000	12000	9000	6500
DPL-27	I	16000	14000	9000	--	--
DPL-AF-27	II	20000	17000	15000	11500	8000
DPL-30	I	20000	18000	12000	--	--
DPL-AF-30	II	25000	22000	18000	15000	10000
DPL-33	I	26000	22000	16000	--	--
DPL-AF-33	II	31000	28000	24000	20000	16000
DPL-36	I	30000	26000	20000	--	--
DPL-AF-36	II	38000	32000	26000	20000	15000

Power rating (BHP) does not include transmission losses. Performance certified is for installation type B: Free inlet, Ducted outlet. Performance ratings do not include the effect of appurtenances (accessories).

CFM values listed above are summarized for convenience.

**\*DPL-AF-30, 33 and 36 currently under redesign. Please call factory.**

FOR FAN CURVES & FULL PERFORMANCE DATA, CONSULT OUR DELAIR SOFTWARE. DOWNLOAD DELAIR @ WWW.CANARM.COM/DELAIR

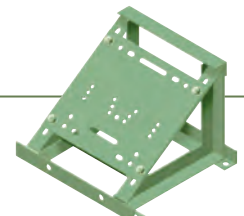
### MOTOR BASE & PLATFORM

- Can be bolted directly to the side of the Plenum fan frame (2 locations) or secured to the base of the air handler.
- Sliding platform provides convenient belt tension adjustment.

MOTOR PLATFORM		
WHEEL DIAMETERS	MAX HP	MAX FRAME SIZE
12" TO 20"	10	215T
22" TO 27"	15	254T
30" TO 36"	30	286T

### OPTIONS

- Vibration Isolators
- Motor base with platform





# DPL-DD SERIES

Direct Drive Flat Blade & Air Foil Blade Plenum Fans

## PERFORMANCE SPECIFICATIONS

MODEL	CLASS	1" SP	3" SP	5" SP	7" SP	9" SP
DPL-12DD	II	4300	4000	3600	3000	--
DPL-13DD	II	5200	4700	4000	3000	--
DPL-15DD	II	5900	5200	4200	2800	--
DPL-16DD	II	7600	6800	5700	4200	--
DPL-18DD	I	7200	6400	2400	--	--
DPL-AF-18DD	II	9500	8500	7500	6500	4300
DPL-20DD	I	8800	7600	5200	--	--
DPL-AF-20DD	II	11500	10500	9000	7200	5000
DPL-22DD	I	12000	9500	4500	--	--
DPL-AF-22DD	II	14500	13000	11000	9000	7000
DPL-24DD	I	14000	12500	8000	--	--
DPL-AF-24DD	II	16000	14000	12000	9000	6500
DPL-27DD	I	16000	14000	9000	--	--
DPL-AF-27DD	II	20000	17000	15000	11500	8000
DPL-30DD	I	20000	18000	12000	--	--
<del>DPL-AF-30DD</del>	II	25000	22000	18000	15000	10000
DPL-33DD	I	26000	22000	16000	--	--
<del>DPL-AF-33DD</del>	II	31000	28000	24000	20000	16000
DPL-36DD	I	30000	26000	20000	--	--
<del>DPL-AF-36DD</del>	II	38000	32000	26000	20000	15000

Power rating (BHP) does not include transmission losses. Performance certified is for installation type B: Free inlet, Ducted outlet. Performance ratings do not include the effect of appurtenances (accessories).

CFM values listed above are summarized for convenience.

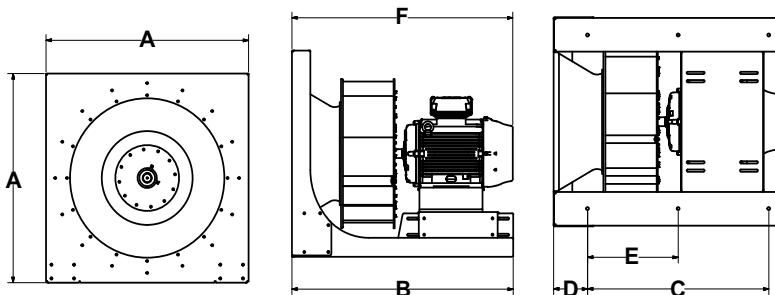
**\*DPL-AF-30DD, 33DD and 36DD currently under redesign. Please call factory.**

FOR FAN CURVES & FULL PERFORMANCE DATA, CONSULT OUR DELAIR SOFTWARE. DOWNLOAD DELAIR @ [WWW.CANARM.COM/DELAIR](http://WWW.CANARM.COM/DELAIR)

## FEATURES

- Bolted, 4 piece, galvanized frame construction
- Full Class II capability (select models)
- Standard welded backward inclined flat blade wheel for DPL-12DD to DPL-36DD (aluminum wheel available as option)
- Standard welded aluminum backward inclined airfoil wheel for DPL-AF-18DD to DPL-AF-27DD

## DIMENSIONS



MODEL	A	B	C	D	E	F	UNIT WEIGHT (LBS) (without motor & drives)
DPL-12DD	18"	21"	16"	2 1/2"	N/A	N/A	51
DPL-13DD	18"	21"	16"	2 1/2"	N/A	N/A	57
DPL-15DD	22"	24"	16"	4"	N/A	N/A	68
DPL-16DD	22"	24"	16"	4"	N/A	N/A	80
DPL-18DD & DPL-AF-18DD	26 1/2"	29 1/2"	20"	6"	N/A	N/A	91
DPL-20DD & DPL-AF-20DD	26 1/2"	30"	20"	6"	N/A	N/A	104
DPL-22DD & DPL-AF-22DD	33 1/2"	34"	26"	6"	N/A	N/A	148
DPL-24DD & DPL-AF-24DD	33 1/2"	37"	26"	8"	N/A	N/A	185
DPL-27DD & DPL-AF-27DD	38"	40 1/8"	32"	6"	16"	N/A	205
DPL-30DD & <del>DPL-AF-30DD</del>	38"	42 1/8"	34"	6"	17"	N/A	248
DPL-33DD & <del>DPL-AF-33DD</del>	48"	44 1/8"	37"	4"	18 1/2"	N/A	306
DPL-36DD & <del>DPL-AF-36DD</del>	48"	47 5/8"	40"	4"	21"	N/A	357

\* F dimension dependent on motor frame.

\*\*DPL-AF-30DD, 33DD and 36DD currently under redesign. Please call factory.

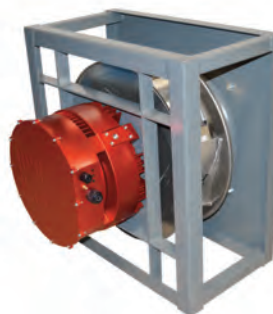
## OPTIONS

- Inlet guard
- Wheel guard
- Piezometers
- Vibration isolators

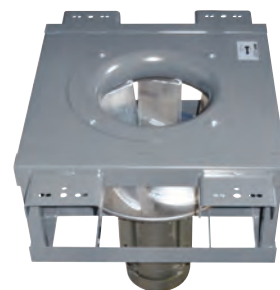
## ACCESSORIES

- Dwyer differential pressure controller

## OTHER AVAILABLE MODELS



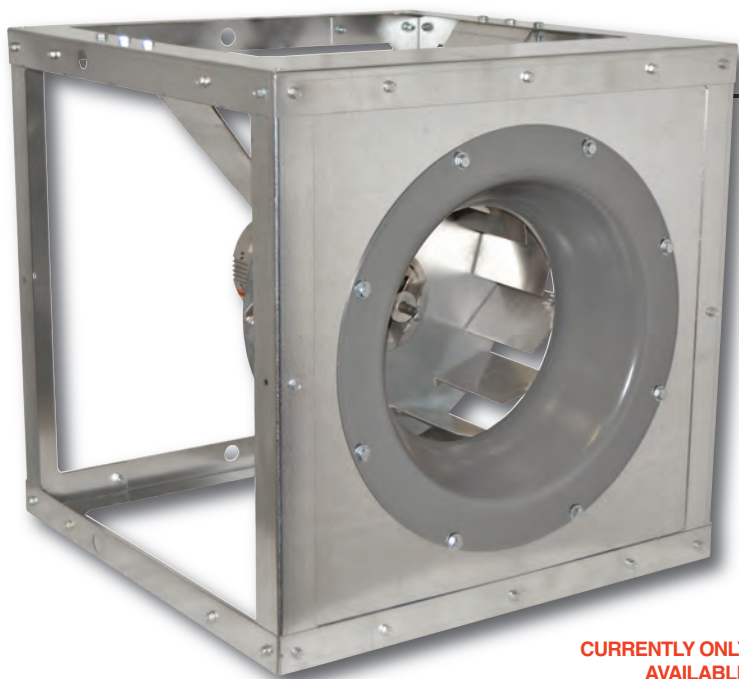
ADPL



DPLH

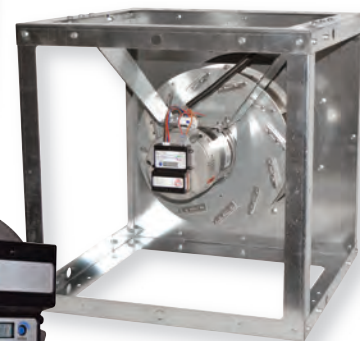
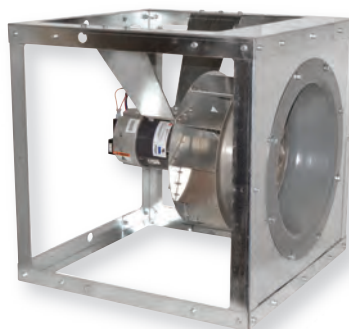
# PMD SERIES

Backward Inclined Direct Drive Plenum Fan



\*NON ETL MODEL

CURRENTLY ONLY  
AVAILABLE  
IN CANADA



## FEATURES

- Available in 10", 12", 13", 15", 16" & 18"
- High efficiency aluminum wheel
- Junction box
- High Efficiency EC Motor
- 0-10VDC onboard potentiometer
- LED display for RPM and percent of demand
- 120/208-230 V 1Ø
- No separate transformer
- 300 RPM minimum
- Flexible user interface
- Ideally suited for plenum arrays

## PERFORMANCE SPECIFICATIONS

MODEL	TYPICAL MAXIMUM CFM @ SP					
	1/2" SP	1" SP	1 1/2" SP	2" SP	MAX HP	RPM
PMD105	870	390	--	--	1/2 HP	1800
PMD120	1630	1220	--	--	1/2 HP	1800
PMD135	2280	1800	1120	--	1/2 HP	1800
PMD150	3060	2680	2170	1400	1 HP	1800
PMD165	TBA	TBA	TBA	TBA	1 HP	1500
PMD180	TBA	TBA	TBA	TBA	1 HP	1200

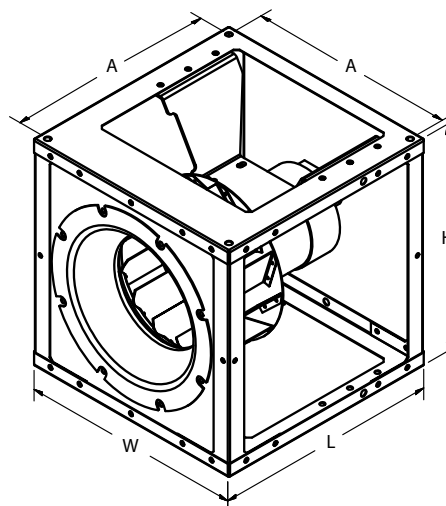
Power rating (BHP) does not include transmission losses. Performance certified is for installation type B - Free inlet, Ducted Outlet. Performance ratings do not include the effects of appurtenances (accessories).

CFM values listed above are summarized for convenience.

FOR FAN CURVES & FULL PERFORMANCE DATA, CONSULT OUR DELAIR SOFTWARE.  
 DOWNLOAD DELAIR @ [WWW.CANARM.COM/DELAIR](http://WWW.CANARM.COM/DELAIR)

## DIMENSIONS

MODEL	DIMENSIONS (IN)			
	L	W	H	A
PMD105	16	16	16	14 13/16
PMD120	20	20	20	18 13/16
PMD135	22	22	22	20 13/16
PMD150	24 1/2	24 1/2	24 1/2	23 1/4
PMD165	26	26	26	24 3/4
PMD180	28 5/8	25 5/8	28 5/8	27 3/8





# IMF-B BELT DRIVE MIXED FLOW FANS

## FEATURES

- High performance mixed flow fan
- High efficiency wheel with very low sound levels
- Sizes and capacities up to 43,000 CFM
- AMCA Certified
- Statically and dynamically balanced to AMCA 204

## PERFORMANCE SPECIFICATIONS

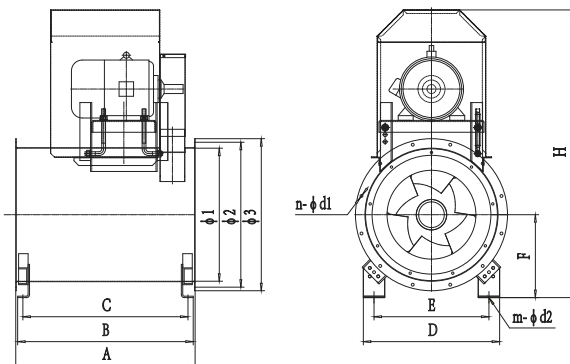
MODEL	MAX HP	STATIC PRESSURE, INCHES W.G.																				
		0.000	0.250	0.500	0.750	1.000	1.250	1.500	1.750	2.000	2.500	3.000	3.500	4.000	4.500	5.000	5.500	6.000	6.500	7.000	7.500	
IMF-B400	3	3700	3650	3600	3550	3500	3450	3350	3300	3250	3100	3000	2850	2700	2500	2200	1750	--	--	--	--	
IMF-B450	5	4700	4650	4600	4500	4450	4400	4300	4250	4150	4000	3850	3650	3450	3250	2900	--	--	--	--	--	
IMF-B500	7.5	6650	6550	6500	6400	6300	6200	6150	6050	5950	5700	5500	5250	5000	4750	4350	3850	3000	--	--	--	--
IMF-B560	10	8400	8300	8200	8050	7950	7850	7750	7600	7500	7200	6950	6650	6350	6000	5550	4900	--	--	--	--	--
IMF-B630	10	10550	10400	10250	10100	9950	9850	9700	9550	9350	9050	8700	8300	7900	7450	6800	6000	--	--	--	--	--
IMF-B710	10	12900	12750	12600	12400	12250	12100	11950	11750	11550	11150	10750	10300	9850	9250	8400	--	--	--	--	--	--
IMF-B800	15	16450	16250	16050	15850	15650	15450	15250	15000	14800	14350	13850	13250	12600	11900	10800	--	--	--	--	--	--
IMF-B900	15	20650	20400	20150	19900	19650	19400	19150	18850	18550	17950	17350	16650	15750	14750	13350	11900	--	--	--	--	--
IMF-B1000	25	27350	27000	26700	26350	26000	25700	25300	24900	24550	23500	22800	21900	20700	19500	17850	15950	11450	8300	5600	4150	
IMF-B1120	40	34900	34500	34100	33650	33250	32800	32400	31900	31450	30400	29350	27500	26800	25350	23550	21250	17650	12750	10850	8950	
IMF-B1250	40	43250	42750	42200	41700	41200	40650	40150	39600	38950	37600	36300	34850	33050	31250	28900	26000	--	--	--	--	--

## DIMENSIONS

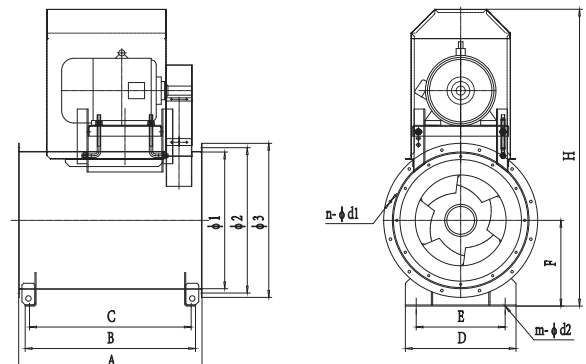
MODEL	Dimensions all in Inches													Weight (lbs)
	ø1	ø2	ø3	A	B	C	D	E	F	H (max)	n - ød1	m - ød2		
IMF-B400	18	19	21	25	25	23	19	16	12	41	8 - ø12	4 - ø18	145	
IMF-B450	20	22	23	28	28	26	21	18	13	44	8 - ø12	4 - ø18	169	
IMF-B500	22	24	25	30	29	27	23	19	14	48	8 - ø12	4 - ø18	207	
IMF-B560	25	27	28	33	31	29	22	18	16	54	12 - ø12	4 - ø18	279	
IMF-B630	28	30	31	37	35	33	24	20	17	57	12 - ø12	4 - ø18	372	
IMF-B710	32	34	35	39	37	35	28	24	19	62	12 - ø12	4 - ø18	425	
IMF-B800	36	38	39	44	40	38	31	27	21	66	16 - ø14	4 - ø18	515	
IMF-B900	40	42	43	49	46	44	35	31	23	71	16 - ø14	4 - ø18	658	
IMF-B1000	44	47	48	51	46	44	39	34	26	78	16 - ø14	6 - ø18	849	
IMF-B1120	50	52	54	57	52	50	44	39	29	87	20 - ø14	6 - ø18	1098	
IMF-B1250	56	58	60	64	59	57	49	44	31	96	20 - ø14	6 - ø18	1379	

Note:  
 1. Dimensions provided are for reference only and may differ from the actual drawings.  
 2. The above weight of the fan does not include motor.

### IMF-B400-500 BASE MOUNTED



### IMF-B560-1250 BASE MOUNTED











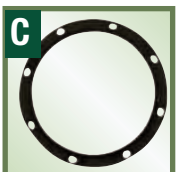
# TUBE AXIAL DUCT FAN OPTIONS & ACCESSORIES



DISCONNECT SWITCH



MC - GUARDS



CR - COMPANION RING



SCV - VERTICAL SUPPORT CLIPS



SCH - HORIZONTAL SUPPORT CLIP



SPL - SUPPORT LEGS



MCVR - MOTOR &amp; BELT COVER



BLG - BELT GUARD

REFERENCE	ITEM	DESCRIPTION	SPECIAL ORDERING GUIDELINES
A	<b>Disconnect Switch</b> (Accessory)	See page K4 in Controls & Thermostats section for more information.	Ships loose. Available as an accessory ordered separately.
B	<b>Inlet Guard</b> (Accessory)	• Spiral plated OSHA guard.	To order installed, add letter to part number. Also available as an accessory ordered separately.
J	<b>Outlet Guard</b> (Accessory)	• Fits intake or exhaust. • Can be used in conjunction with companion ring.	
C	<b>Companion Rings</b> (Accessory)	• 1/4" plate angle ring. • Used to attach guards or ducts to tube axial fans.	To order installed, add letter to part number. Also available as an accessory ordered separately.
D	<b>Vertical Support Clips</b> (Accessory)	• 1/4" plate vertical support clips are welded onto fan. • Four clips per end.	Must be requested at time of order.
K	<b>Horizontal Support Clips</b> (Accessory)	• 1/4" plate horizontal support clips. • Bolts to the vertical support clips welded onto the fan. • Two clips per end.	Must be requested at time of order. Must be used with vertical clips (D). <b>Eg)</b> For a BTA18T10050 with horizontal clips & belt guard, use BTA18DKG10050. <b>Note:</b> "D" for vertical clips must be indicated as well as the "K" for horizontal clips.
E	<b>Support Legs</b> (Option)	• Heavy duty support legs are welded to the fan. • Suitable for mounting tube axial to the floor. • 4" Standard. 16" available. Consult factory. • Sold in pairs.	Must be requested at time of order.
F	<b>Motor &amp; Belt Covers</b> (Accessory)	• 18 gauge galvanized steel. • Acts as both motor and belt cover. • 3/4" expanded metal screen allows motor heat to escape. • Bolts to motor mount.	For HTA/BTA/WTA Fans only. To order installed, add letter to part number. Also available as an accessory ordered separately.
G	<b>Belt Guard</b> (Accessory)	• Belt and guards protect the belt and drives. • 18 gauge galvanized steel.	For HTA/BTA/WTA Fans only. Not required with motor cover. To order installed, add letter to part number. Also available as an accessory ordered separately.
H	<b>Inspection Door</b> (Option)	• 10" x 12" inspection door. • Hinged and bolted. • Air dry finish. • Can be installed in location specified by customer.	Must be requested at time of order.
I	<b>Specials (not shown)</b>	Can include: • Explosion Proof Motors • Steel Fan Blades • Optional Coating	Must be requested at time of order.
L	<b>Weather Cover</b> (Accessory)	• 18 gauge galvanized steel. • Acts as both motor and belt cover. • Enclosed for weather protection. • Bolts to motor mount.	For HTA/BTA/WTA Fans only. To order installed, add letter to part number. Also available as an accessory ordered separately.
W (Not Shown)	<b>Wired Junction Box</b> (Option)	• Wired junction box using BX cable.	• For BTA models only! • Must be requested at time of order.

## ORDERING EXAMPLES:

**EX 1)** If ordering a BTA18T10050 with support legs (E) and an inspection door (H), use **BTA18EH10050**.

**EX 2)** If ordering a BTA18T10050 with horizontal clips & belt guard, use **BTA18DKG10050**.

ACCESSORIES				OPTIONS INSTALLED WELDED TO TUBE		
FAN SIZE	COMPANION RING	GUARD	HORIZONTAL CLIP	SUPPORT LEG	VERTICAL CLIP	INSPECTION DOOR
12"	CR12P	MC12G	SCH12-60 (Must order vertical clip accessory)	SPL12	SCV12-60	ID12
15"	CR15P	MC15G		ID15		
18"	CR18P	MC18G		ID18		
20"	CR20P	MC20G		ID20		
24"	CR24P	MC24G		ID24		
30"	CR30P	MC30G		ID30		
34"	CR34P	MC34G		ID34		
36"	CR36P	MC36G		ID36		
42"	CR42P	MC42G		ID42		
48"	CR48P	MC48G		ID48		
54"	CR54P	MC54G		ID54		
60"	CR60P	MC60G		ID60		

ACCESSORIES	
FRAME SIZE	BELT GUARD
48 - 145T	BLGD1
182T - 184T	BLGD2
213T - 256T	BLGD3
284 AND UP	BLGD4

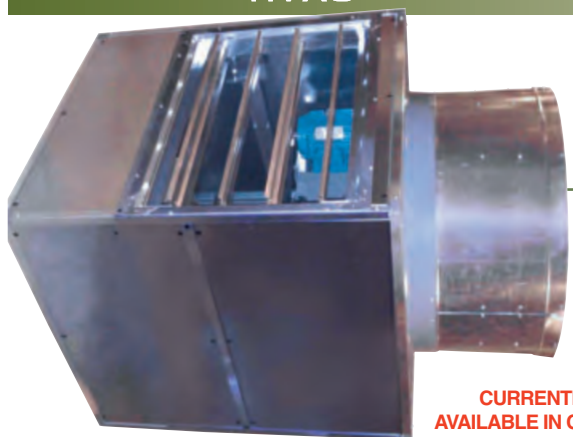
ACCESSORIES		
BTA SIZE	WEATHER COVER	MOTOR COVER
12" - 18"	MCVR1-WP	MCVR1
24" - 30"	MCVR2-WP	MCVR2
34" - 36"	MCVR3-WP	MCVR3
42" - 48"	MCVR4-WP	MCVR4
54" - 60"	MCVR5-WP	MCVR5



ID - INSPECTION DOOR



WC - WEATHER COVER



**CURRENTLY ONLY  
AVAILABLE IN CANADA**

# JFHVA AIR MAKE UP JET FANS

Provides significant energy savings by inexpensively distributing make-up air strategically and comfortably throughout a building.

Air Make-Up Jet Fan systems utilize a propeller fan in conjunction with a modulating face and by-pass control dampers to mix cold outside air with warm inside air, which results in inexpensive, tempered make-up air that can be distributed evenly throughout the work space, providing greater comfort and energy savings.

## PERFORMANCE SPECIFICATIONS

BLADE DIAMETER	MODEL #		RPM	H.P.	CFM	dBA @ 5 ft.
	SINGLE PHASE	THREE PHASE				
24"	JFHVA24FBC10075	JFHVA24FBC30075*	1180	3/4	4700	68
	JFHVA24FBC10100	JFHVA24FBC30100*	1295	1	5690	70
	JFHVA24FBC10150	JFHVA24FBC30150*	1475	1 1/2	7000	73
30"	JFHVA30FBC10100	JFHVA30FBC30100*	965	1	6610	69
	JFHVA30FBC10150	JFHVA30FBC30150*	1095	1 1/2	9140	72
	JFHVA30FBC10200	JFHVA30FBC30200*	1225	2	11100	74
36"	JFHVA36FBC10150	JFHVA36FBC30150*	830	1 1/2	8430	72
	JFHVA36FBC10200	JFHVA36FBC30200*	910	2	12190	74
	JFHVA36FBC10300	JFHVA36FBC30300*	1045	3	16020	78
42"	JFHVA42FBC10200	JFHVA42FBC30200*	770	2	11320	74
	JFHVA42FBC10300	JFHVA42FBC30300*	895	3	17680	76
	JFHVA42FBC10500	JFHVA42FBC30500*	1005	5	21810	79
48"	JFHVA48FBC10200	JFHVA48FBC30200*	645	2	11070	71
	JFHVA48FBC10300	JFHVA48FBC30300*	745	3	17880	74
	JFHVA48FBC10500	JFHVA48FBC30500*	885	5	24690	79
	JFHVA48FBC10750	JFHVA48FBC30750*	1005	7 1/2	29810	82

For three phase motors, substitute "\*" with "M" for 230/460 volt (If 208V required please specify) or "P" for 575 volt

OPTIONAL CONSTRUCTION: "T" - Jet Fan with Cabinet, Snout, and Straightening Vanes;  
"FOC" - Same as above, but with a Face Damper & Controls;  
"FBC" - Fan complete with Face and Bypass & Controls (standard)

## FEATURES

- Sturdily constructed of galvanized steel with cast aluminum fan blades.
- Outlet duct with straightening vanes to attach air tube.
- TEFC motors are standard.
- Adjustable motor base.
- Large access door hinged and latched on bottom (all models).
- Face and bypass dampers (FBC and FOC optional construction).
- Modulating damper motors (FBC and FOC optional construction).
- Transformers & Remote thermostats (FBC and FOC optional construction).
- NEMA control box enclosure (FBC & FOC optional construction).
- All face and bypass damper linkage enclosed inside cabinet (FBC).
- Optional construction available.

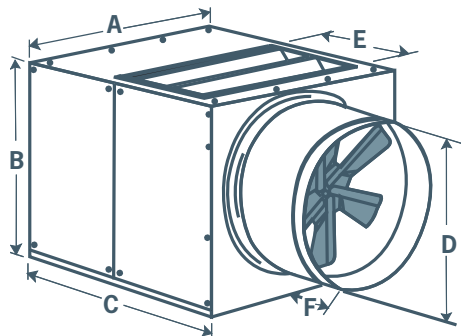


**Non-stock, made-to-order products are non-returnable and cannot be cancelled.**

## DIMENSIONS

Fan Size	A	B	C	D	F
24"	32"	32"	36"	25"	18 7/8"
30"	38"	38"	42"	31"	18 7/8"
36"	44"	44"	48"	37"	26 3/4"
42"	50"	50"	54"	42 7/8"	24 1/4"
48"	56"	56"	60"	48 7/8"	27 1/4"

\*Please note that this fan is currently under review and the dimensions may change. Please call for details.



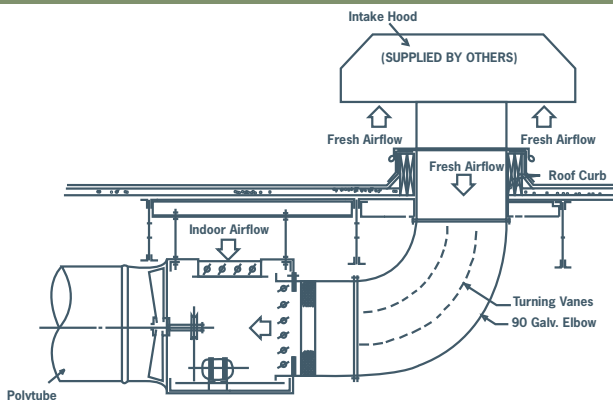
## OPTIONS

Canarm supplies the Make-Up fan only. All other components are supplied by others.

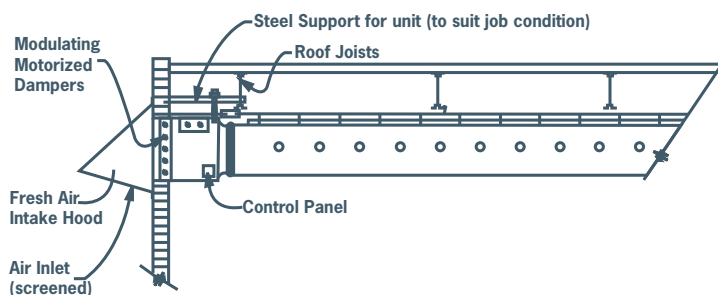
- Polyethylene Fabric Ducts
- Face Dampers (by Canarm)
- Drawband
- Cables
- Roof Curb
- Intake Wall & Roof Hoods
- Reducer
- Hardware Kit

## TYPICAL INSTALLATIONS

### TYPICAL INSTALLATION - ROOF MOUNT



### TYPICAL INSTALLATION - SIDEWALL MOUNT



# CBF SERIES

## Commercial Bathroom Fan

Ideal for offices, conference rooms, public restrooms and more.

### FEATURES

- Available in 4 sizes with CFM's ranging from 60 to 1500 CFM.
- EC motor with forward curved wheel.
- Built in speed control.
- Low profile, quiet and energy efficient, ceiling exhauster.
- CBF150/CBF300 come with Standard Poly Grill.
- CBF700/CBF1500 come with Standard Metal Grill.



CBF300

### PERFORMANCE SPECIFICATIONS

MODEL	CFM									Sones @ 1/8" SP	Watts	Amps
	0	0.05	0.1	0.125	0.25	0.375	0.5	0.75	1			
CBF150	185	175	163	157	130	90	60	-	-	1.5	14	0.22
CBF300	330	325	320	308	300	280	260	220	180	2.9	47	0.67
CBF700	720	710	700	701	625	590	500	400	253	4.7	140	1.7
CBF1500	1656	1621	1592	1559	1444	1280	1058	170	-	8.4	372	4.9

EC motor with 0 to 10V speed control to adjust RPM to achieve desired performance.

#### CBF150 1.5 sonos @ nominal 1/8" static and 10V

SPEED CONTROL VOLTS	CFM						
	0	0.125	0.25	0.375	0.5	0.75	1
10	185	157	130	90	60	-	-
7.5	171	145	120	84	56	-	-
5	157	133	110	77	51	-	-
2.5	128	109	90	63	41	-	-



CBF150

#### CBF300 2.9 sonos @ nominal 1/8" static and 10V

SPEED CONTROL VOLTS	CFM						
	0	0.125	0.25	0.375	0.5	0.75	1
10	330	308	300	280	260	220	180
7.5	277	260	252	235	218	185	151
5	223	210	203	190	176	149	122
2.5	179	169	163	153	142	120	98



CBF700

#### CBF700 4.7 sonos @ nominal 1/8" static and 10V

SPEED CONTROL VOLTS	CFM						
	0	0.125	0.25	0.375	0.5	0.75	1
10	720	701	625	590	500	400	253
7.5	652	632	566	534	453	362	296
5	601	583	522	493	418	334	273
3.25	551	534	478	451	383	306	250
2.5	493	478	428	404	343	274	224
1.75	435	422	378	357	302	242	198



CBF1500

#### CBF1500 8.4 sonos @ nominal 1/8" static and 10V

SPEED CONTROL VOLTS	CFM						
	0	0.125	0.25	0.375	0.5	0.75	1
10	1656	1559	1444	1280	1058	170	-
7.5	1325	1204	1005	572	70	-	-
5	1082	901	469	-	-	-	-

# CBF SERIES

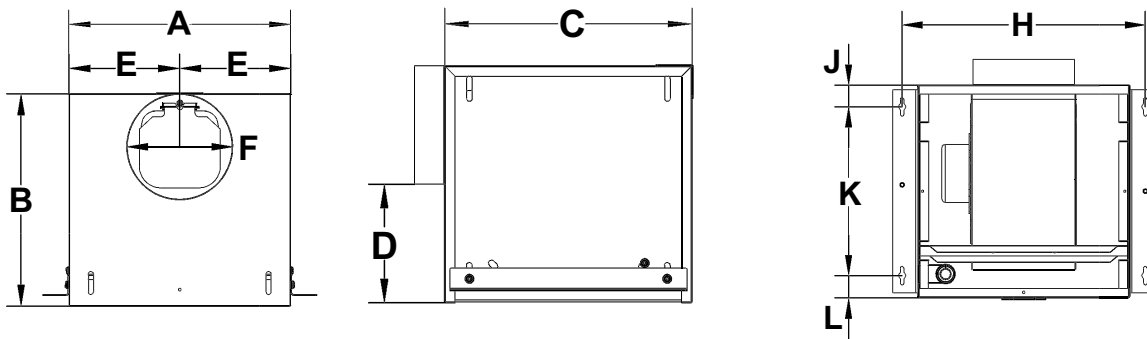
Commercial Bathroom Fan

Ideal for offices, conference rooms, public restrooms and more.

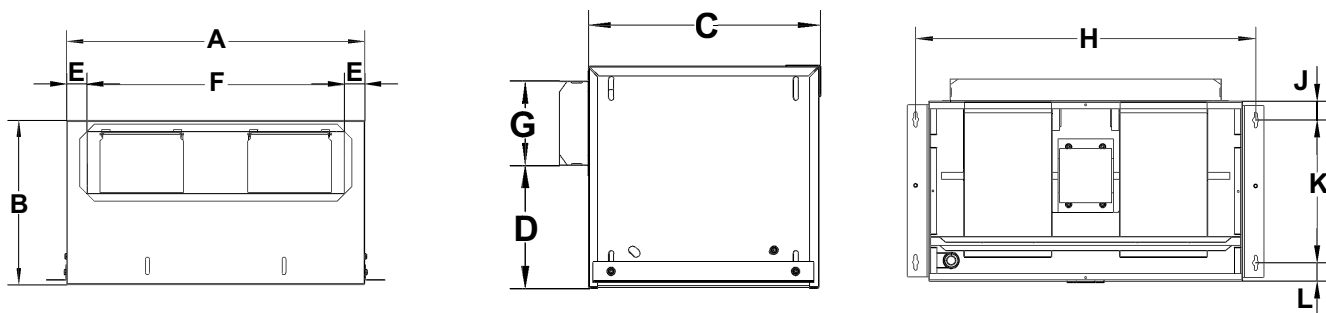
## DIMENSIONS

MODEL	HOUSING			OVERALL		OUTLET		MOUNTING			
	A	B	C	D	E	F	G	H	J	K	L
CBF150	12 1/4"	11 3/4"	12 1/4"	5 7/8"	6 1/8"	5 7/8" dia.	-	14 1/16"	1 1/4"	9 3/4"	1 5/16"
CBF300	12 1/4"	11 3/4"	12 1/4"	3 7/8"	6 1/8"	7 7/8" dia.	-	14 1/16"	1 1/4"	9 3/4"	1 5/16"
CBF700	21 1/2"	11 13/16"	12 1/4"	6 9/16"	1 7/16"	18 1/2"	4 1/2"	23 1/4"	1 5/16"	9 3/4"	1 1/4"
CBF1500	22"	18"	18 1/16"	8 1/2"	3"	16"	8"	23 3/8"	4 1/8"	10"	3 15/16"

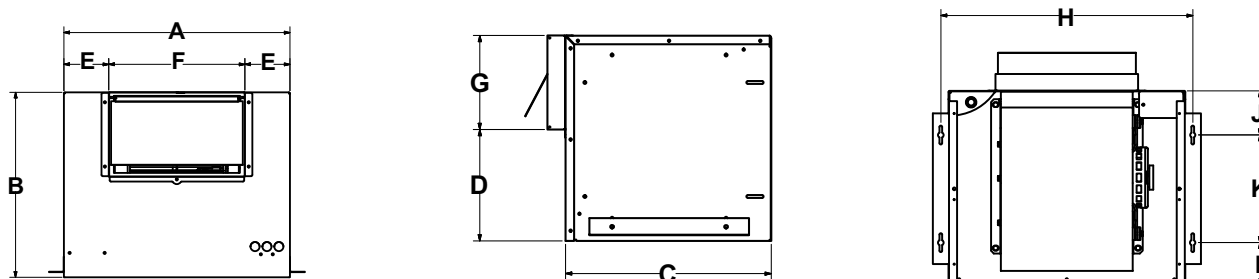
### CBF150 & CBF300



### CBF700



### CBF1500



# CBFI SERIES

## Inline Exhausters

Ideal for offices, conference rooms, public restrooms and more.



CBFI150/CBFI300  
INLINE  
EXHAUSTER

CBFI700  
INLINE  
EXHAUSTER

CBFI1500  
INLINE  
EXHAUSTER

### FEATURES

- Available in 4 sizes with CFM's ranging from 66 to 1200 CFM.
- EC motor with forward curved wheel.
- Built in speed control.
- Low profile, quiet and energy efficient, inline exhauster.

### PERFORMANCE SPECIFICATIONS

MODEL	CFM							Sones @ 1/8" SP	Watts	Amps
	0	0.125	0.25	0.375	0.5	0.75	1			
CBFI150	149	130	114	93	66	-	-	1.5	14	0.22
CBFI300	306	278	262	239	219	180	140	2.9	47	0.67
CBFI700	660	634	607	574	498	380	239	4.7	218	1.7
CBFI1500	1235	1153	1068	964	718	229	-	8.4	264	4.9

EC motor with 0 to 10V speed control to adjust RPM to achieve desired performance - keep control above 0.9V otherwise motor turns off!

#### CBFI150 1.5 sones @ nominal 1/8" static and 10V

SPEED CONTROL VOLTS	CFM						
	0	0.125	0.25	0.375	0.5	0.75	1
10	149	130	114	94	66	-	-
7.5	145	125	110	90	62	-	-
5	140	120	105	87	60	-	-
2.5	119	94	73	32	-	-	-

#### CBFI300 2.9 sones @ nominal 1/8" static and 10V

SPEED CONTROL VOLTS	CFM						
	0	0.125	0.25	0.375	0.5	0.75	1
10	306	278	262	239	219	180	140
7.5	303	275	260	237	217	179	138
5	227	193	171	143	110	57	-
2.5	143	95	55	-	-	-	-

#### CBFI700 4.7 sones @ nominal 1/8" static and 10V

SPEED CONTROL VOLTS	CFM						
	0	0.125	0.25	0.375	0.5	0.75	1
10	660	634	607	574	498	380	239
7.5	627	602	577	545	473	361	227
5	583	560	537	507	440	336	211
3.25	531	510	489	461	400	306	192
2.5	478	459	440	415	360	275	173
1.75	430	413	396	374	324	248	156

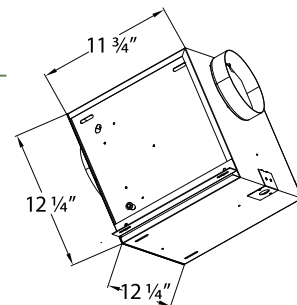
#### CBFI1500 8.4 sones @ nominal 1/8" static and 10V

SPEED CONTROL VOLTS	CFM						
	0	0.125	0.25	0.375	0.5	0.75	1
10	1235	1153	1068	964	718	229	-
7.5	1110	1035	961	572	-	-	-
5	999	931	865	-	-	-	-

### DIMENSIONS

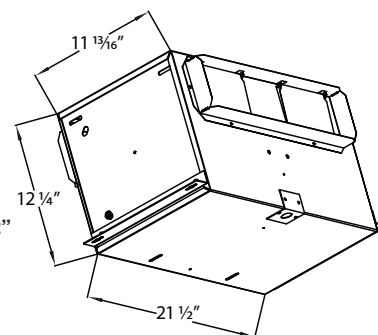
CBFI150/CBFI300  
INLINE  
EXHAUSTER

DUCT DIAMETER  
CBFI150 - 6"  
CBFI300 - 8"



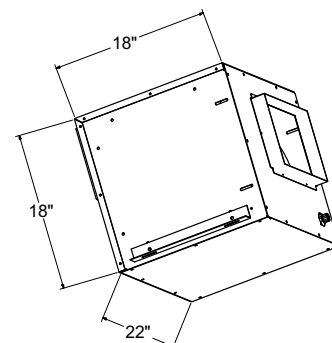
CBFI700  
INLINE  
EXHAUSTER

DUCT DIAMETER  
CBFI700 - 18 1/2" x 4 1/2"



CBFI1500  
INLINE EXHAUSTER

DUCT DIAMETER  
CBFI1500 - 13 1/4" x 8 1/4"



# SE QUIET SERIES

## Ultra Silent Ceiling Exhaust Fans

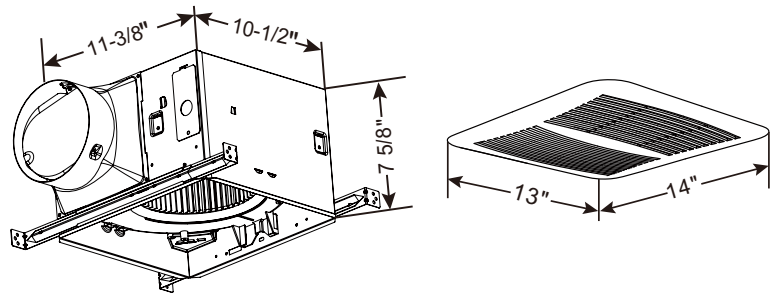


The SE Quiet Series is HVI and ENERGY STAR certified. It comes with a capacitor start motor which is known for its high efficiency and long lasting reliability.

### FEATURES

- Ultra quiet.
- Made of rugged 26 GA galvanized steel
- Permanently lubricated 120V motor with overload disconnect.
- Detachable 6" Poly Collar with built in backdraft damper.
- Double hanger bar mounting brackets adjustable up to 24"
- Premium low profile poly grille.
- cETLus listed for tub and shower when connected to a GFCI.
- HVI and Energy Star approved.
- Plug and Play accessories.

### DIMENSIONS



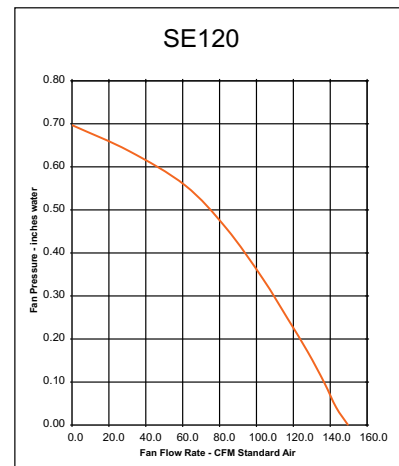
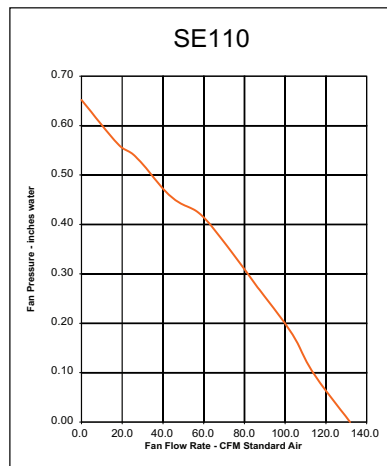
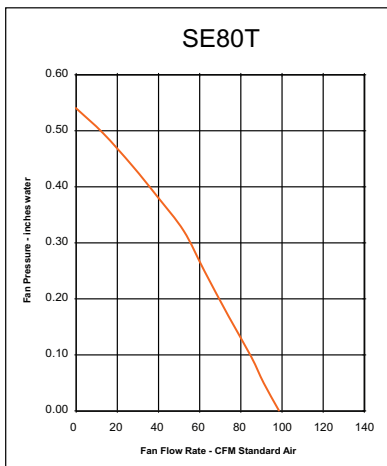
### ACCESSORIES

- Humidistat
- Motion Sensor
- Speed Controller
- Light Kit

### PERFORMANCE SPECIFICATIONS

MODEL	FOR BATHROOM SIZE UP TO	STATIC PRESSURE (IN W.G.)	CFM	SONES	WATTS	POWER (V/Hz)	DUCT DIAMETER
SE80T	75 FT <sup>2</sup>	0.1	80	0.4	25	120/60	6"
		0.25	58	–			
SE110	105 FT <sup>2</sup>	0.1	110	0.9	33	120/60	6"
		0.25	100	–			
SE120	110 FT <sup>2</sup>	0.1	120	0.9	33	120/60	6"
		0.25	100	–			

### FAN CURVES



# SED110 & SED110-4

## Ultra Quiet Ceiling Exhaust Fans with DC Motor



Canarm's SED110 & SED110-4 fans are ultra quiet and include a DC motor for energy efficiency. Choose from 4 different CFM's using built in dip switches, and a second adjustable speed for continuous operation for whole house/building ventilation.

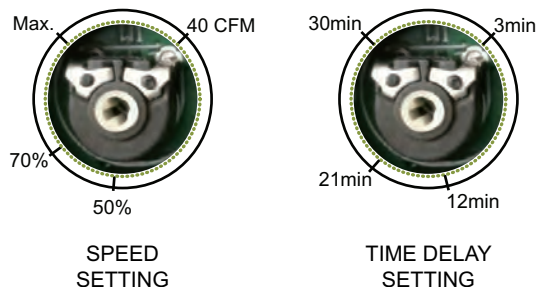
### FEATURES

- Ultra quiet.
- High performance and efficiency.
- Two speed totally enclosed DC motor with thermal protection.
- Selectable 90, 110, 120, 140 CFM (SED110-4 ONLY)
- Continuous low speed operation (adjustable).
- Time delay 5-30 minutes.
- Complies with ASHRAE 62.2 whole house fan to meet minimum ventilation required by local building codes.
- 6" Poly Collar with built in backdraft damper.
- Premium low profile poly grille.
- ETL listed for tub and shower when connected to a GFCI.
- HVI and Energy Star approved.

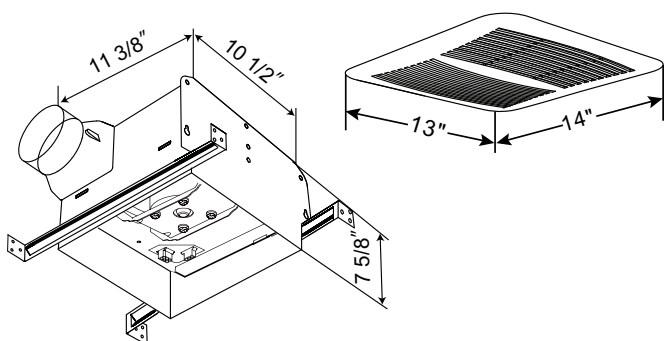
### ACCESSORIES

- Humidistat
- Motion Sensor
- Speed Controller
- Light Kit

### CONTROL CENTRE (SED110-4 ONLY)



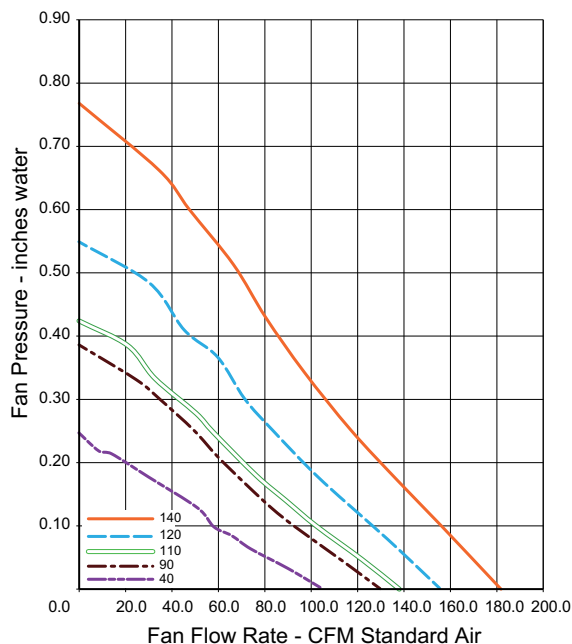
### DIMENSIONS



### PERFORMANCE SPECIFICATIONS

MODEL	STATIC PRESSURE (IN W.G.)	CFM	SONES	WATTS	POWER (V/HZ)	DUCT DIAMETER
SED110	0.1	110	0.6	10.0	120/60	6"
	0.25	-	-	-		
SED110-4	0.1	90	0.3	5.5	120/60	6"
		110	0.6	10.0		
		120	0.8	11.5		
		140	1.1	14.5		
	0.25	51	-	7.8	120/60	
		78	-	10.0		
		91	-	11.7		
		113	-	14.8		

### FAN CURVES



# CEP SERIES

## Ultra Quiet Ceiling Exhaust Fans

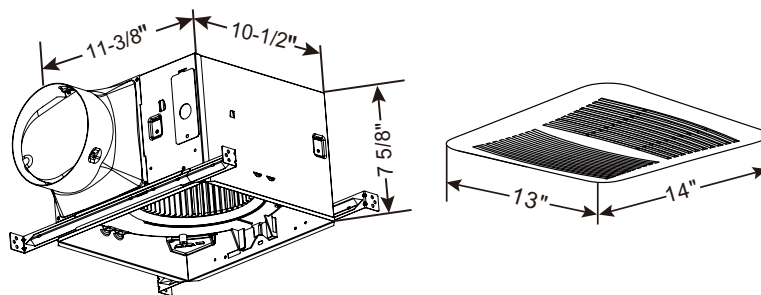


Canarm's CEP fans come complete with high efficiency motors meeting Energy Star requirements. The CEP fans are ultra quiet and easily customizable using plug and play accessories.

### FEATURES

- Ultra quiet.
- High performance and efficiency.
- Permanently lubricated 120V motor with overload disconnect.
- 6" Poly Collar with built in backdraft damper.
- Premium low profile poly grille.
- ETL listed for tub and shower when connected to a GFCI.
- HVI and Energy Star approved.
- Plug and Play accessories.

### DIMENSIONS



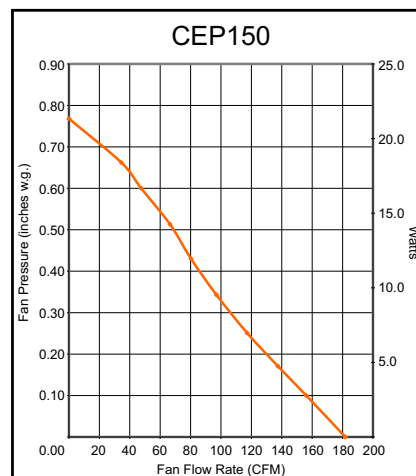
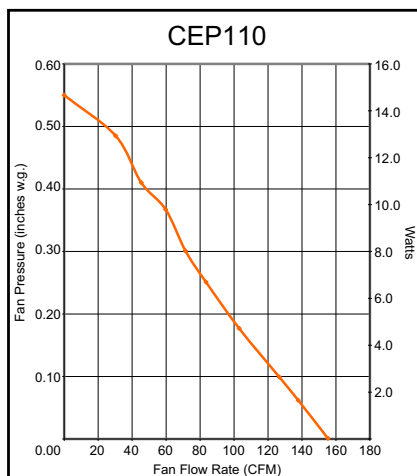
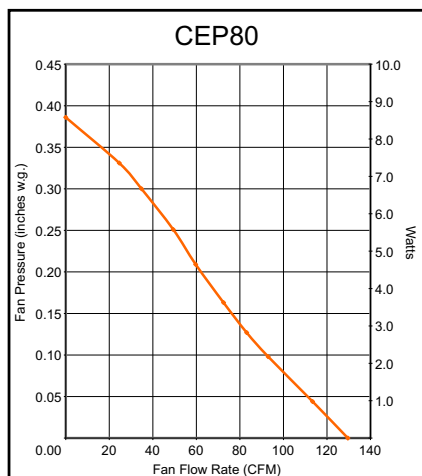
### ACCESSORIES

- Humidistat
- Speed Control - internal or remote
- Light Kit
- Ceiling Radiation Damper

### PERFORMANCE SPECIFICATIONS

MODEL	FOR BATHROOM SIZE UP TO	STATIC PRESSURE (IN W.G.)	CFM	SONES	WATTS	POWER (V/Hz)	DUCT DIAMETER
CEP80	75 FT <sup>2</sup>	0.1	80	0.4	22.8	120/60	6"
		0.25	69	1.1	22.5		
CEP110	105 FT <sup>2</sup>	0.1	110	<0.3	30.8	120/60	6"
		0.25	86	1.2	30.4		
CEP150	140 FT <sup>2</sup>	0.1	140	0.5	35	120/60	6"
		0.25	123	1.2	34.2		

### FAN CURVES





# CEPD SERIES

## Ultra Quiet Ceiling Exhaust Fans with DC Motor



Canarm's ultra quiet CEPD fans come complete with high efficiency DC motors and are Energy Star approved. Built in speed controls are standard and allow for fine tuning CFM to your needs. Optional accessories are available such as a light kit or radiation damper, and a motion sensor and humidistat are available on special order.

### FEATURES

- High performance and efficiency.
- Variable speed totally enclosed DC motor with thermal protection.
- Built in speed control.
- 6" Poly Collar with built in backdraft damper.
- Premium low profile poly grille.
- ETL listed for tub and shower when connected to a GFCI.
- HVI and Energy Star approved.

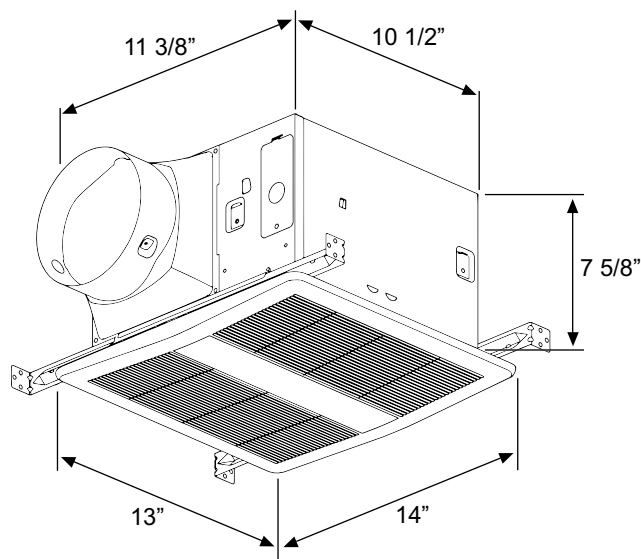
### ACCESSORIES

- Light Kit
- Ceiling Radiation Damper
- Factory Options (Special Order):
  - Humidistat
  - Motion Sensor

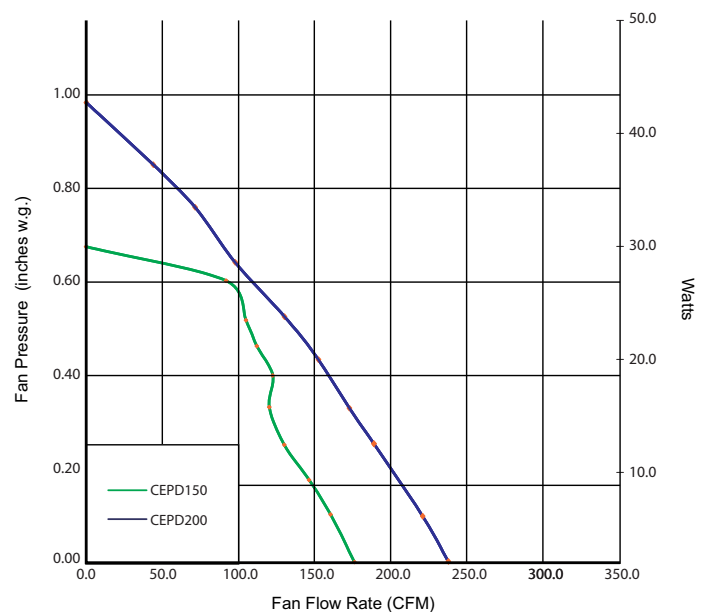
### PERFORMANCE SPECIFICATIONS

MODEL	STATIC PRESSURE (IN W.G.)	CFM	SONES	WATTS	POWER (V/HZ)	DUCT DIAMETER
CEPD150	0.1	150	0.9	12	120/60	6"
	0.25	130	1.4			
CEPD200	0.1	200	2.0	24	120/60	6"
	0.25	188	2.0			

### DIMENSIONS



### FAN CURVES



# CEPD140-4

## Ultra Quiet Ceiling Exhaust Fans with DC Motor



Canarm's CEPD140-4 fan is ultra quiet and includes a DC motor for energy efficiency. Choose from 4 different CFM's using built in dip switches, and a second adjustable speed for continuous operation for whole house/building ventilation.

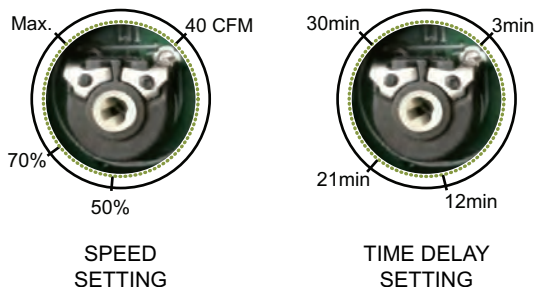
### FEATURES

- Ultra quiet.
- High performance and efficiency.
- Two speed totally enclosed DC motor with thermal protection.
- Selectable 80, 90, 110, 140 CFM
- Continuous low speed operation (adjustable).
- Time delay 5-30 minutes.
- Complies with ASHRAE 62.2 whole house fan to meet minimum ventilation required by local building codes.
- 6" Poly Collar with built in backdraft damper.
- Premium low profile poly grille.
- ETL listed for tub and shower when connected to a GFCI.
- HVI and Energy Star approved.

### ACCESSORIES

- Light Kit
- Ceiling Radiation Damper
- Factory Options (Special Order):
  - Humidistat
  - Motion Sensor

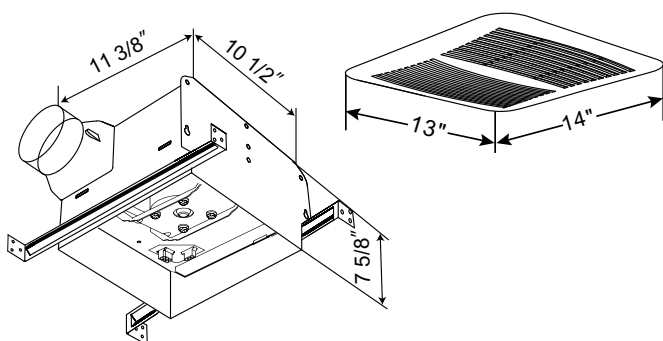
### CONTROL CENTRE



SPEED SETTING

TIME DELAY SETTING

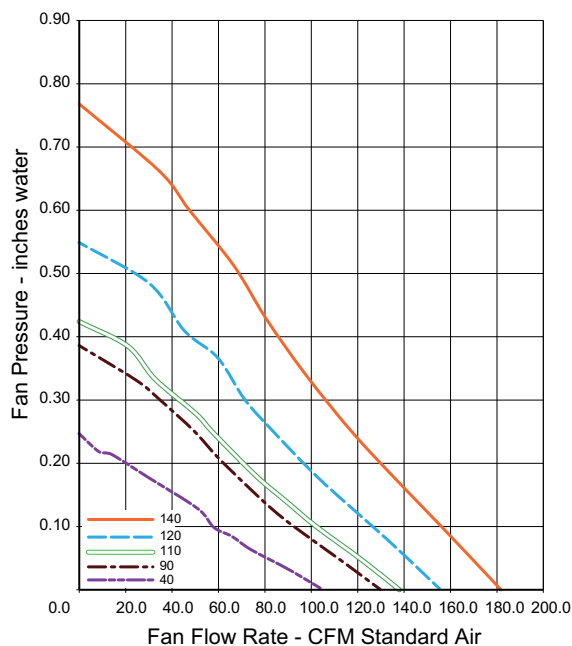
### DIMENSIONS



### PERFORMANCE SPECIFICATIONS

MODEL	STATIC PRESSURE (IN W.G.)	CFM	SONES	WATTS	POWER (V/Hz)	DUCT DIAMETER
CEPD140-4	0.1	80	< 0.3	6.0	120/60	6"
		90	< 0.3	6.5		
		110	< 0.3	8.7		
		140	0.5	12.4		
	0.25	49	0.9	7.8	120/60	6"
		57	0.9	8.3		
		83	1.0	10.6		
		117	1.0	14.5		

### FAN CURVES



# BPT SERIES BATHROOM EXHAUST FANS

- Canarm BPT series bathroom ventilators are high quality, low noise units which meet the needs of today's quality builders and contractors.
- With CFM ratings of 70, 110 and 150, we have units to meet every size bathroom.

## BPT12-13H1

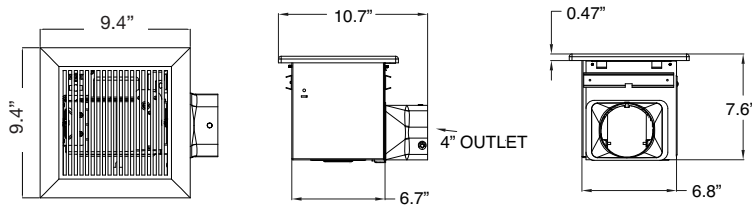
FOR BATHROOM SIZE UP TO 75 FT<sup>2</sup>



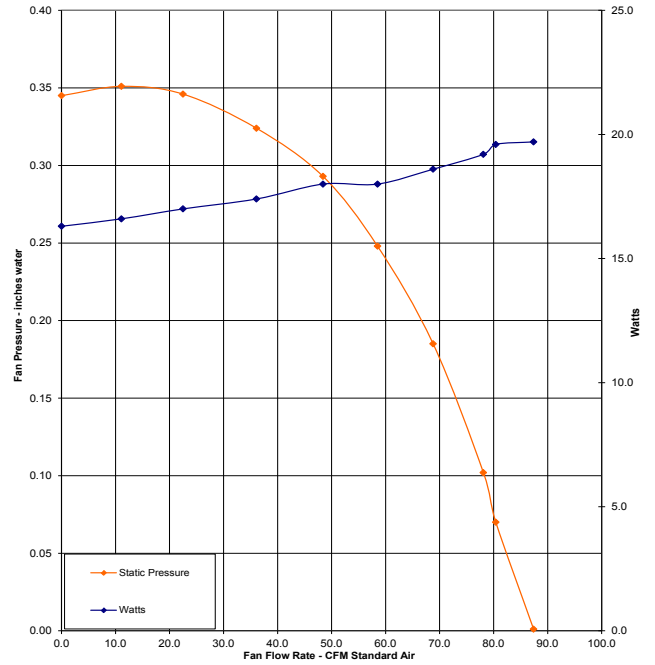
- 70 CFM
- 1.5 sone
- 17 Watts
- 120 V Motor
- 4" outlet
- Comes with plastic grill
- Shipping weight: 8.0 lbs.



### DIMENSIONS



### FAN CURVES



## BPT18-34A-6

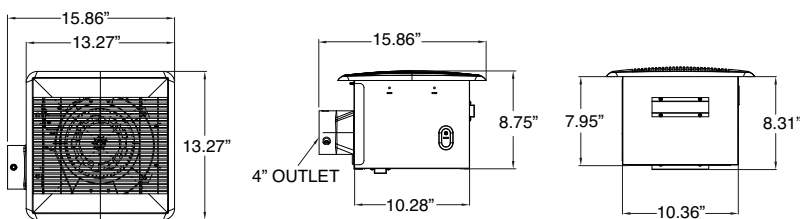
FOR BATHROOM SIZE UP TO 105 FT<sup>2</sup>



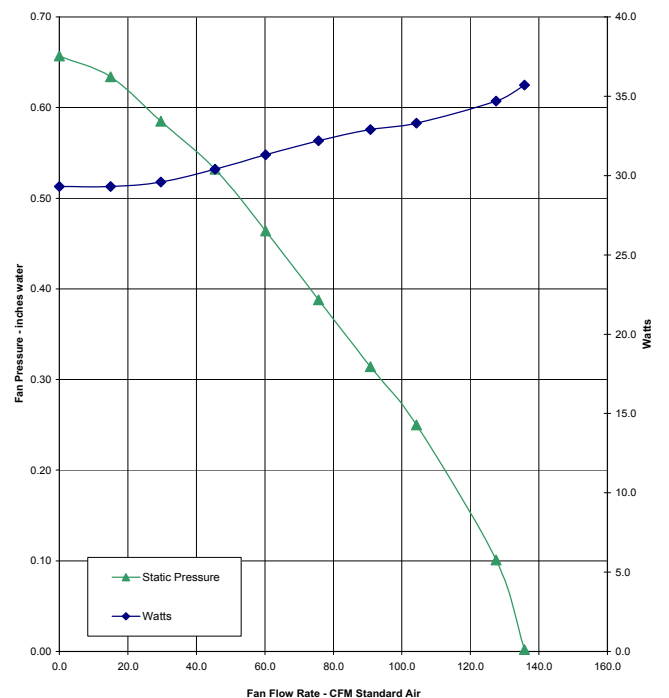
- 110 CFM
- 1 sone
- 31 Watts
- 120 V Motor
- 4" outlet
- Comes with plastic grill
- Shipping weight: 13.9 lbs.



### DIMENSIONS



### FAN CURVES



# DFRC-ES SERIES CIRCULAR DUCT FANS

High efficiency inline duct fans are ideal for residential and commercial ventilation applications such as range hoods, bath fans & dryers.

DFRC-ES Series in-line duct fans from Canarm are versatile, energy efficient and can effectively ventilate meeting rooms, bathrooms and other hard to ventilate areas. DFRC-ES fans can also be used to boost airflow in long runs of round duct.

Available in 4", 5", 6", 8", 10" and 12" diameters the DFRC-ES series features a high quality external rotor motor and a quiet, efficient backward curved impeller for effective airflow even under higher static pressures.

## FEATURES

- Available in 4", 5", 6", 8", 10" and 12" diameters.
- Quiet and efficient backward curved impeller
- Powerful, efficient external rotor motor
- Speed controllable with Canarm MC series controls
- High flow against high static pressure
- Remove noise from main living area by mounting remotely
- Quick and easy installation.
- 4", 5" and 6" models sealed for use in radon mitigation systems.



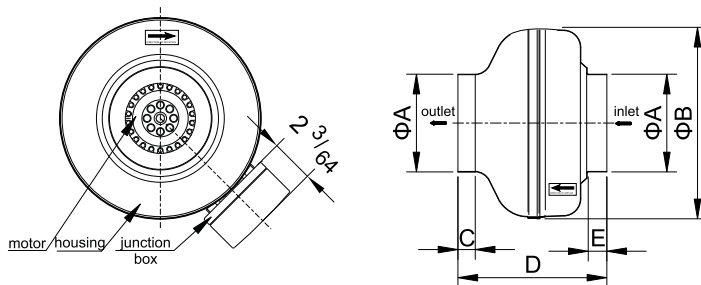
## PERFORMANCE DATA

MODEL	DIAMETER	POWER RATING (V)	INPUT POWER (W)	ELECTRIC CURRENT (A)	SPEED (RPM)	SOUND LEVEL (dB)	NET WEIGHT	CFM @ STATIC PRESSURE									ENERGY EFFICIENCY (CFM/WATT)
								0.0" SP	0.2" SP	0.4" SP	0.6" SP	0.8" SP	1.0" SP	1.5" SP	2.2" SP	2.5" SP	
DFRC-4ES	4"	120	40	0.35	2912	60	7 lbs	157	135	113	89	67	29	--	--	--	3.2
DFRC-5ES	5"	120	53	0.45	2593	62	7 lbs	202	167	133	107	81	52	21	--	--	3.0
DFRC-6ES	6"	120	74	0.63	2534	61	8 lbs	273	236	198	163	131	92	47	--	--	3.1
DFRC-8ES	8"	120	128	1.19	3158	70	13 lbs	484	457	426	393	350	306	241	89	--	3.5
DFRC-10ES	10"	120	140	1.20	3028	71	13 lbs	598	556	509	460	412	359	260	87	--	3.9
DFRC-12ES	12"	120	203	1.77	2443	70	16 lbs	815	710	579	424	319	263	185	93	62	3.5

\*DFRC-12ES is currently not Energy Star

## DIMENSIONS

MODEL	ØA	ØB	C	D	E	IMPELLER DIAMETER
DFRC-4ES	4"	9 1/2"	5/8"	8 3/8"	5/8"	Ø6 1/8"
DFRC-5ES	5"	9 1/2"	7/8"	7 1/2"	1"	Ø6 7/8"
DFRC-6ES	6"	10 5/8"	3/4"	7 5/8"	5/8"	Ø7 1/2"
DFRC-8ES	8"	13 1/2"	1 1/8"	9"	7/8"	Ø8 5/8"
DFRC-10ES	10"	13 1/2"	1 1/8"	9"	1 1/8"	Ø9 1/2"
DFRC-12ES	12"	15 3/4"	1 1/8"	10 1/4"	1 1/8"	Ø9 7/8"



## ACCESSORIES



MOUNTING CLAMPS



BACKDRAFT DAMPERS



EXHAUST & SUPPLY GRILL



MC CONTROLS



DFRC-6ES also available with carbon filter option

# AXC SERIES - INLINE DUCT FANS

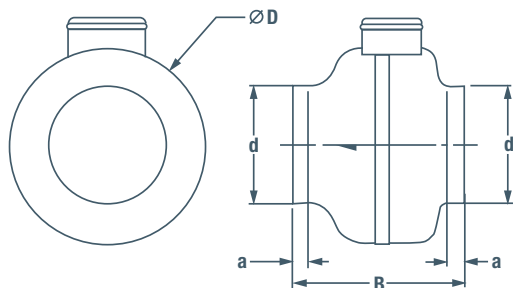


## FEATURES

- Maintenance free and energy efficient external rotor motor.
- Handles high static pressure.
- Backward curved impellers which greatly reduce operating noise levels.
- Completely speed controllable.  
(See MC series controls on page K3 in Controls & Thermostats section).
- Heavy gauge drawn steel housing epoxy coated inside and out for superior corrosion protection.

## DIMENSIONS

MODEL	D	d	a	B
AXC100A-ES	9.5"	3.9"	1.0"	8.3"
AXC100B	9.5"	3.9"	1.0"	8.3"
AXC125A-ES	9.5"	4.8"	1.0"	8.3"
AXC125B	9.5"	4.8"	1.0"	8.3"
AXC150A-ES	9.5"	5.8"	1.0"	8.3"
AXC150B-ES	13.2"	5.8"	1.0"	9.1"
AXC200A-ES	13.2"	7.8"	1.0"	9.1"
AXC200B-ES	13.2"	7.8"	1.0"	9.1"
AXC250-ES	13.2"	9.8"	1.0"	9.1"
AXC300A-ES	15.9"	11.8"	1.2"	11.8"
AXC300B-ES	15.9"	11.8"	1.2"	11.8"



The quiet and efficient backward curved impeller is capable of developing significant pressure and the in-line configuration simplifies installation.

The unique motor design, combined with high quality materials and workmanship, result in a truly versatile fan.

Use Canarm the AXC series fans to supplement your dryer's fan and enhance your dryer's performance. AXC fans have an exclusive combination of design features resulting in a powerful, quiet unity that is unmatched by other designs.

Better ventilation solutions include powerful AXC series fans for range hoods. These remote-mounted fans improve the efficiency of range hoods, while reducing noise. The exclusive combination of design features delivers a powerful, yet quiet, fan that is unmatched by other range hood exhaust systems.

## PERFORMANCE DATA

MODEL	DIAMETER	VOLTS	AMPS (FLA)	WATTS	RPM	dB(A) @ 1M	ENERGY STAR	WEIGHT (lbs)	CFM @ STATIC PRESSURE									
									0" SP	0.2" SP	0.4" SP	0.6" SP	0.8" SP	1.0" SP	1.2" SP	1.5" SP	2.0" SP	3.0" SP
AXC100A-ES	4"	120	0.36	43.3	2580	44	Yes	7	147	130	107	82	57	34	11	-	-	-
AXC100B	4"	120	0.69	83.4	2620	54	No	7	150	140	127	112	94	74	53	23	-	-
AXC125A-ES	5"	120	0.37	62	1650	47	Yes	7	179	150	121	87	49	14	-	-	-	
AXC125B	5"	120	0.7	85.4	2750	53	No	7	183	160	141	122	101	77	51	14	-	-
AXC150A-ES	6"	120	0.4	46.8	2390	51	Yes	7	235	190	148	97	44	-	-	-	-	
AXC150B-ES	6"	120	0.74	89.2	2450	49	Yes	11	308	260	216	175	139	108	81	47	-	-
AXC200A-ES	8"	120	0.7	84.5	2550	56	Yes	11	368	300	234	184	149	114	70	-	-	
AXC200B-ES	8"	120	1.6	188	2550	58	Yes	11	579	520	453	387	329	282	245	206	154	-
AXC250-ES	10"	120	1.6	197	2470	59	Yes	11	616	550	488	431	379	330	286	227	143	-
AXC300A-ES	12"	120	1.8	206	2450	62	Yes	18	780	700	595	420	330	290	255	210	132	-
AXC300B-ES	12"	120	2.6	312	2780	65	Yes	20	970	910	803	680	559	453	367	273	164	-

## ACCESSORIES

FAN SIZE	BACKDRAFT DAMPER	MOUNTING CLAMPS	EXHAUST & SUPPLY GRILLS
4"	BD100	MC100	GR100
5"	BD125	MC125	GR150
6"	BD150	MC150	GR150
8"	BD200	MC200	GR200
10"	BD250	MC250	-
12"	BD300	MC300	-
14"	BD355	MC355	-



MOUNTING CLAMPS



BACKDRAFT DAMPERS



EXHAUST & SUPPLY GRILL



SENSORS



CONTROL TIMERS



AXC models are special non-stock items and cannot be returned or cancelled.

# VK SERIES

## Inline Centrifugal Fans for High Static Pressure Applications

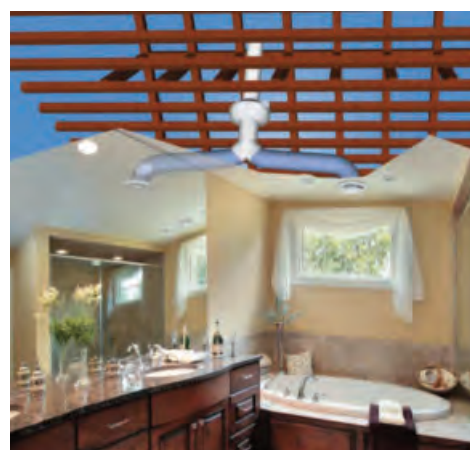


Suitable for a wide range of residential and commercial exhaust or supply air applications, such as bathroom exhaust, kitchen ventilation, restaurants, living areas, whole house ventilation, duct boosting, workshops & smoking areas or equipment cooling.

The VENTS VK Series duct mounted centrifugal inline fans assure efficient and reliable operation. The fans are fitted with backward curved centrifugal impeller driven by powerful sealed external rotor motor with lifelong bearings and thermal protection. This powerful combination enables the VENTS VK fans to deliver exceptional airflow performances even in high static pressure systems. The fans' casing is made of high quality, UV-resistant plastic (flame rating- 5VA). The VK Series is specially designed for simple installation and maintenance free operation. Fans are supplied with an easy to fit mounting bracket and can be mounted at any angle and at any point along the duct.

### FEATURES

- Sizes available from 4" - 12 3/8".
- High static pressure applications.
- Backward curved centrifugal impeller.
- Quiet external rotor motor with thermal overload protection.
- Ideal for long duct runs.
- Quiet and powerful.
- Vibration free operation.
- Energy efficient.
- Maintenance free.
- Easy installation.
- Corrosion resistant.
- UV resistant, UL94 certified plastic
- Pre-wired and supplied with mounting bracket for easy installation.
- 3 year warranty.

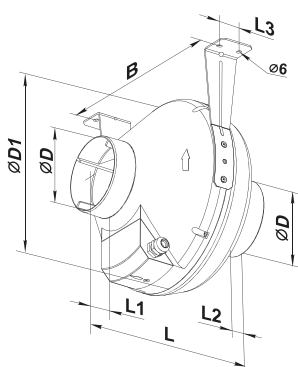


### PERFORMANCE SPECIFICATIONS

MODEL	ENERGY STAR CERTIFIED	RPM*	SONES	DUCT DIA.	WATTS*	CFM VS. STATIC PRESSURE (Ps) IN WG										VOLTS
						0"	0.125"	0.2"	0.25"	0.375"	0.5"	0.75"	1.0"	1.25"	1.5"	
VK100	no	3088	8.5	4"	106	162	155	150	147	141	134	120	104	87	67	120 / 60
VK125	no	2960	7.1	5"	114	235	222	214	207	193	178	151	123	99	72	120 / 60
VK150	no	2907	7.2	6"	113	317	300	289	282	265	247	212	178	132	68	120 / 60
VK200	yes	3016	8.1	8"	140	507	481	465	455	423	395	343	287	238	189	120 / 60
VK250	no	2604	10.2	10"	293	735	699	675	658	625	558	507	432	369	307	120 / 60
VK315	yes	2641	11.5	12 3/8"	269	871	817	779	758	703	635	501	393	324	266	120 / 60

The parameters RPM, Watts are indicated at 0.2 in WG static pressure.

### DIMENSIONS



MODEL	DIMENSIONS (Inches)							WEIGHT (lbs)
	ØD	ØD1	B	L	L1	L2	L3	
VK100	3 15/16"	9 13/16"	10 5/8"	9 1/16"	1 3/16"	1 1/16"	1 3/16"	4.7
VK125	4 15/16"	9 13/16"	10 5/8"	8 11/16"	1 3/16"	1 1/16"	1 3/16"	4.9
VK150	5 7/8"	11 13/16"	12 3/16"	11 1/4"	1 3/16"	1 3/16"	1 3/16"	5.7
VK200	7 7/8"	13 3/8"	13 15/16"	10 7/8"	1 3/16"	1 3/16"	1 9/16"	8.8
VK250	9 13/16"	13 3/8"	13 15/16"	10 7/16"	1 3/16"	1 3/16"	1 9/16"	9.9
VK315	12 3/8"	15 3/4"	16 5/16"	16 5/16"	1 9/16"	2 3/16"	1 9/16"	11.2

For more information on available accessories, see pages J8-J11 in Accessories & Motors section.

# VK PS SERIES

## Dryer Booster Fans



**Designed to solve dryer vent problems where more airflow is needed.**

The VENTS VK PS dryer booster fans assure efficient and reliable operation. The pre-installed pressure switch allows the VK PS fan to run when it senses the dryer on. The controller cycles the fan until the dryer has stopped. The fans are fitted with backward curved centrifugal impeller, which prevents lint from getting stuck in the fan. The fans are driven by powerful sealed external rotor motor with lifelong bearings and thermal protection. This powerful combination enables the VK PS to deliver exceptional airflow performance even in long duct runs. The fans' casing is made of high quality, UV-resistant plastic (UL94 certified plastic). The fans are specially designed for simple installation and years of maintenance free operation.

### FEATURES

- Pressure switch for fan activation and mounting bracket included as shown in above picture.
- Sizes available from 4" - 6".
- High static pressure applications.
- Backward curved centrifugal impeller.
- Quiet external rotor motor with thermal overload protection.
- Ideal for long duct runs.
- Quiet and powerful.
- Vibration free operation.
- Energy efficient.
- Maintenance free.
- Easy installation.
- Corrosion resistant.
- UV resistant, UL94 certified plastic.
- Pre-wired and supplied with mounting bracket for easy installation.
- 3 year warranty.



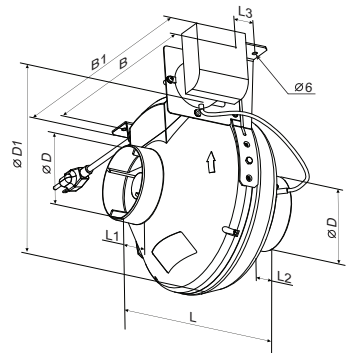
### PERFORMANCE SPECIFICATIONS

MODEL	RPM*	SONES	DUCT DIA.	WATTS*	CFM VS. STATIC PRESSURE (Ps) IN WG											VOLTS / Hz
					0"	0.125"	0.2"	0.25"	0.375"	0.5"	0.75"	1.0"	1.25"	1.5"		
VK100 PS	3088	8.5	4"	106	162	155	150	147	141	134	120	104	87	67	120 / 60	
VK125 PS	2960	7.1	5"	114	235	222	214	207	193	178	151	123	99	72	120 / 60	
VK150 PS	2907	7.2	6"	113	317	300	289	282	265	247	212	178	132	68	120 / 60	

\* The parameters RPM, Watts are indicated at 0.2 in WG static pressure.

### DIMENSIONS

MODEL	DIMENSIONS (Inches)								WEIGHT (lbs)
	ØD	ØD1	B	B1	L	L1	L2	L3	
VK100 PS	3 15/16"	9 13/16"	10 5/8"	13 3/8"	9 1/16"	1 3/16"	1 1/16"	1 3/16"	4.7
VK125 PS	4 15/16"	9 13/16"	10 5/8"	13 3/8"	8 11/16"	1 3/16"	1 1/16"	1 3/16"	4.9
VK150 PS	5 7/8"	11 13/16"	12 3/16"	13 3/8"	11 1/4"	1 3/16"	1 3/16"	1 3/16"	5.7



### ACCESSORIES

- Lint Trap (LT-250-45)

For more information on available accessories, see pages J8-J11 in Accessories & Motors section.

# VKM SERIES

## Inline Centrifugal Metal Fan



For high static pressure applications - ideal for bathroom exhaust, kitchen ventilation, living areas, whole house ventilation, duct boosting, workshops & smoking areas, offices, bars & restaurants and warehouses.

VENTS VKM series inline centrifugal duct fans are designed for residential and commercial ventilation applications. In-line configuration simplifies installation and offer maintenance free operation.

All VKM models are designed for standard diameter round ducting and range from 4" to 12" in size with airflows ranging up to 985 CFM. The fan's housing is made of steel with polymer coating. The quiet and efficient backward curved impeller is capable of operating in high-pressure systems.

The VKM series can eliminate many ventilation problems as they are designed to boost airflow through long or complex duct runs. The most common uses are bathroom exhaust, range hood exhaust and duct boosting.

### FEATURES

- High air volume and static pressure applications.
- Quiet & efficient, vibration free operation.
- Durable and corrosion resistant casing.
- Reliable external rotor motor design.
- Permanently lubricated ball bearing motor for maintenance free operation.
- Automatic reset thermal overload protection.
- Pre-wired and supplied with mounting bracket for easy installation.
- Rated for continuous operation.
- Strong construction for long life.
- Three year warranty.



Conforms to UL Std. UL705  
Certified to CSA Std. CSA 22.2#113

### PERFORMANCE SPECIFICATIONS

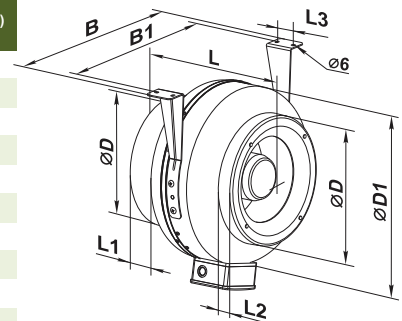
MODEL	RPM*	SONES	WATTS*	AMPS*	DUCT DIA.	CFM VS. STATIC PRESSURE (Ps) IN WG										VOLTS	
						0"	.125"	0.2"	.25"	.375"	0.5"	.75"	1"	1.25	1.5		2.5"
VKM100	3000	6.91	108	0.90	4"	174	167	162	159	151	142	124	106	84	60	-	120
VKM125	2950	6.8	112	0.97	5"	239	228	222	217	205	192	165	130	102	72	-	120
VKM150	2400	6.6	110	0.90	6"	325	292	275	265	241	214	172	139	107	67	-	120
VKM200	2520	7.6	195	1.63	8"	541	502	480	464	428	391	320	265	222	183	36	120
VKMS200	2745	8.3	240	2.14	8"	657	640	632	625	608	590	550	498	434	370	112	120
VKM250	2516	8.2	232	1.95	10"	678	638	613	599	550	479	408	340	292	248	90	120
VKM305	2981	8.35	244	2.10	12"	784	756	738	727	698	669	611	542	480	428	168	120
VKMS305	2320	8.42	272	2.42	12"	985	920	890	869	818	773	680	594	512	441	210	120
VKM355 Q **	2250	7.3	297	1.3	14"	1300	1259	1236	1177	1118	1059	941	618	235	-	-	230
VKM400 **	1585	7.5	673	3.05	15.75"	1765	1706	1618	1545	1510	1471	1294	1088	882	588	-	230
VKM450 **	1560	7.4	1250	5.4	17.75"	3096	3110	2972	2942	2897	2795	2589	2295	1765	1236	-	230

\* The parameters RPM, Watts, Amps are indicated at 0.2 in WG static pressure.

\*\* Special order - please call factory

### DIMENSIONS

MODEL	DIMENSIONS (Inches)								Weight (lbs)
	ØD	ØD1	B	B1	L	L1	L2	L3	
VKM100	3 15/16"	10"	11 3/4"	10 3/16"	8 1/16"	13/16"	1"	1 3/16"	9.7
VKM125	4 15/16"	10"	11 3/4"	10 3/16"	8 1/16"	13/16"	1"	1 3/16"	9.5
VKM150	5 7/8"	11 15/16"	13 3/4"	12 3/16"	8 11/16"	1"	1"	1 3/16"	11.9
VKM200	7 7/8"	13 9/16"	15 3/8"	13 3/4"	9 7/8"	1"	1 1/8"	1 9/16"	14.6
VKMS200	7 7/8"	13 9/16"	15 3/8"	13 3/4"	9 7/8"	1"	1 1/8"	1 9/16"	14.6
VKM250	9 13/16"	13 9/16"	15 3/8"	13 3/4"	9 3/16"	1"	1 1/4"	1 9/16"	16.1
VKM305	12"	15 7/8"	17 3/4"	16 5/16"	10 1/4"	15/16"	1 3/16"	1 9/16"	17.6
VKMS305	12"	15 7/8"	17 3/4"	16 5/16"	10 1/4"	15/16"	1 3/16"	1 9/16"	17.6
VKM355 Q	14"	18 1/8"	20 1/2"	20 1/2"	19 15/16"	2 3/8"	2 3/8"	2 3/4"	41.5
VKM400	15 3/4"	22 7/16"	26 1/8"	25"	22 7/16"	2 3/8"	2 3/8"	2 3/4"	55.2
VKM450	17 3/4"	23 15/16"	27 9/16"	26 3/8"	25 3/8"	2 3/8"	2 3/8"	3 1/8"	60



### ACCESSORIES

For more information on available accessories, see pages J8-J11 in Accessories & Motors section.



# VKM-ANTIRADON SERIES

## Inline Centrifugal Metal Fan



VKM-AntiRADON fans are specially designed with high pressure capabilities for radon mitigation applications.

The fans are specifically designed for radon extract ventilation of basements, cellars, crawl spaces, etc. Compatible with Ø 4", 5", and 6" round air ducts.

Installation is simple with the supplied mounting brackets.



### FEATURES

- Voltage: 120V, 60Hz.
- Motor: Single-phase external rotor motor with backward curved centrifugal impellers.
- Duct compatibility: Ø 4", 5", 6".
- Suitable for airstreams up to 122° F.
- IP X4 protection.
- Thermal overload protection.
- Mounting bracket included.
- Three year warranty.

High efficiency backward inclined impeller delivers exceptional airflow even in high static pressure systems.



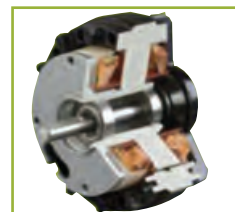
Dynamically balanced impeller ensures vibration free operation



Factory sealed case, no leakages UV resistant durable UL94 certified plastic



Ball bearings motor ensures low-noise and maintenance-free operation



German made high-efficient external rotor motor



Mounting brackets included

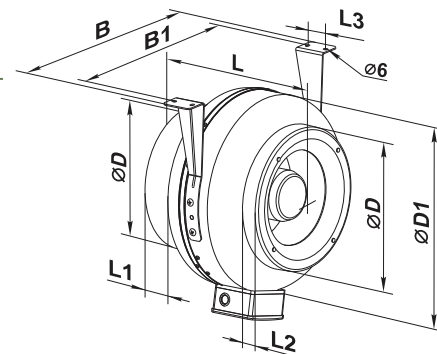
### PERFORMANCE SPECIFICATIONS

MODEL	DUCT DIA	RPM*	SONES*	WATTS*	AMPS	CFM vs. Static Pressure (PS0 in WG)											VOLTS
						0"	0.125"	0.2"	0.25"	0.375"	0.5"	0.75"	1.0"	1.25"	1.5"	2.5"	
VKM-AR 100	4"	3000	6.91	108	0.90	174	167	162	159	151	142	124	106	84	60	-	120
VKM-AR 125	5"	2950	6.8	112	0.97	239	228	222	217	205	192	165	130	102	72	-	120
VKM-AR 150	6"	2400	6.6	110	0.90	325	292	275	265	241	214	172	139	107	67	-	120

\* The parameter RPM, Sones, and Watts are indicated at 0.2 in WG static pressure.

### DIMENSIONS

MODEL	DIMENSIONS (Inches)									WEIGHT (LBS)
	ØD	ØD1	B	B1	L	L1	L2	L3		
VKM-AR 100	3 15/16"	10"	11 3/4"	10 3/16"	8 1/16"	13/16"	1"	1 3/16"	9.7	
VKM-AR 125	4 15/16"	10"	11 3/4"	10 3/16"	8 1/16"	13/16"	1"	1 3/16"	9.5	
VKM-AR 150	5 7/8"	11 15/16"	13 3/4"	12 3/16"	8 11/16"	1"	1"	1 3/16"	11.9	



# VKM-ANTIRADON SERIES

## Inline Centrifugal Metal Fan

**SOLVE YOUR RADON PROBLEM EFFECTIVELY AND QUICKLY WITH VKM-ANTIRADON FANS. VKM-ANTIRADON FANS MEET REQUIREMENTS SPECIFICALLY FOR RADON REMOVAL.**

### HOW TO MITIGATE RADON CONCENTRATION

Prevent RADON from entering the living quarters from basement by:

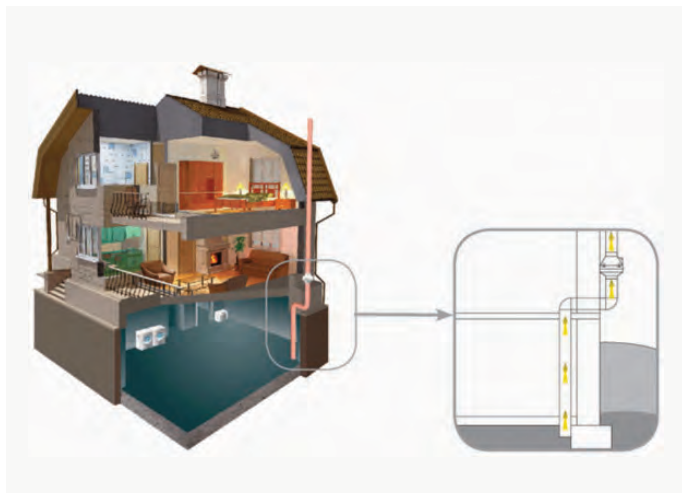
- General ventilation improvement
- Installation of Radon Extraction system in basement
- Underfloor ventilation reinforcement
- Installation of positive pressure or ventilation system

VENTILATION is one of the best ways to eliminate radon from your home.

### INSTALLATION

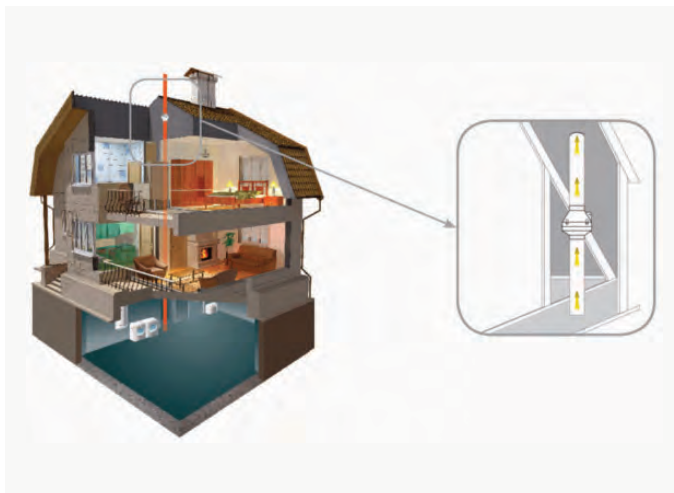
Radon is a colorless, odorless and tasteless natural radioactive gas that can be found anywhere in nature. It is produced by the decay of uranium in soil. Radon becomes a problem when it is trapped in a building and becomes concentrated.

The most effective radon reduction method is the installation of fans that can vent the elevated level of radon outside.



#### BASEMENT INSTALLATION

The VKM-AntiRADON fan is fixed on the wall. The polluted air is extracted at roof level. The air ducts must be located at least 10' away from any window.



#### ATTIC INSTALLATION

VKM-AntiRADON fan installed in the attic.

For airtight installation of VKM-AntiRADON fan, rubber collars with stainless clamps are recommended.



\*Not supplied with the fan.

### ACCESSORIES

For more information on available accessories, see pages J8-J11 in Accessories & Motors section.

# TURBO TUBE TT SERIES

## Powerful Mixed Flow Fans



**Ideal for bathrooms, kitchens, apartments, restaurants, pools, offices, manufacturing facilities and more.**

**TURBO TUBE** series fans are ideal solutions for multi-purpose use in residential and commercial ventilation. **TURBO TUBE** fans combine the features and benefits of both axial and centrifugal fans. Used for both supply and exhaust applications that require powerful airflow.

**TURBO TUBE** fans were engineered to be compact without any loss in performance and are the perfect solution for installation into limited spaces.

### FEATURES

- Quiet Operation: 1.1 – 4.5 Sones
- High Performance - up to 1050 CFM
- Energy Efficient - 29.5 – 353 W
- Duct Compatibility: 4", 5", 6", 8", 10", 12 3/8"
- Double Speed capacitor motor with thermal overload protection
- Built-in speed control switch & power cord
- Lightweight, durable and UV resistant plastic case (UL94 certified plastic)
- 3 year warranty



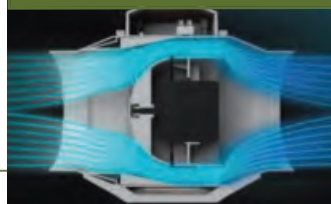
### PERFORMANCE SPECIFICATIONS

MODEL	ENERGY STAR CERTIFIED	SPEED	RPM*	SONES	DUCT DIA.	WATTS*	AMPS*	CFM VS. STATIC PRESSURE (Ps) IN WG								MAX Ps	VOLTS	
								0"	0.125"	0.2"	0.25"	0.5"	0.75"	1.0"	1.25"			1.5"
TT 100	no	high	3113	2.5	4"	36	0.45	105	49	37	32	13	-	-	-	-	0.7	120
		low	2818	1.1		29.5	0.37	62	41	30	23	2	-	-	-	-	0.54	120
TT 125	no	high	2600	2.5	5"	41	0.51	126	112	99	46	-	-	-	-	-	0.49	120
		low	2350	1.4		31	0.4	87	64	27	4	-	-	-	-	-	0.27	120
TT 150	yes	high	2033	3.5	6"	55	0.47	252	233	216	199	78	10	0	-	-	1.06	120
		low	1386	1.5		29.2	0.25	167	129	75	61	21	-	-	-	-	0.62	120
TT 200	yes	high	2116	4.5	8"	111	0.93	473	450	432	420	352	254	89	-	-	1.17	120
		low	1622	2		69.5	0.58	349	317	294	276	158	32	0	-	-	0.83	120
TT 250	no	high	2525	4.5	10"	200	1.68	880	873	866	862	842	816	708	450	323	2.27	120
		low	1925	2.5		130	1.11	655	646	630	620	565	480	330	115	10	1.54	120
TT 315	no	high	2419	4.5	12 3/8"	353	2.95	1051	1020	999	986	914	838	746	632	500	2.67	120
		low	1914	2.5		236	1.95	830	797	770	751	638	496	335	209	109	1.79	120

\* The parameters RPM, Watts, Amps are indicated at 0.2 in WG static pressure.

### INNOVATIVE DESIGN

#### AERODYNAMIC CASE



The motor and improved case shape provide high aerodynamic characteristics.

#### NEWLY DESIGNED IMPELLER



A specifically designed impeller provides smooth movement and powerful airflow.

#### EASY TO INSTALL & CLEAN



The Removable Body, including motor, impeller and junction box, is the ultimate solution for easy installation & cleaning.

#### EASY CONNECTION



The removable body with the junction box can be rotated 180° to facilitate mounting and wiring.

#### BUILT-IN SPEED CONTROLLER



The Double-speed motor is controlled with a Built-in Speed Switch.

#### INTEGRATED MOUNTING BRACKET



The fan case is equipped with a mounting plate to attach the fan to the wall or ceiling.

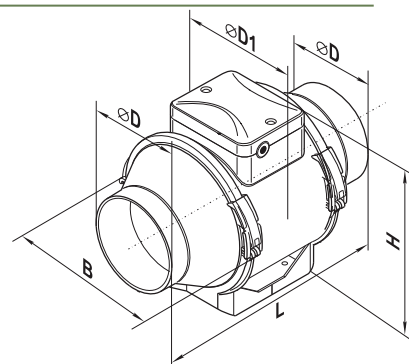
# TURBO TUBE TT SERIES

Powerful Mixed Flow Fans



## DIMENSIONS

MODEL	DIMENSIONS (Inches)					WEIGHT (lbs)
	ØD	ØD1	B	H	L	
TT 100	3 3/4"	5 1/2"	6 9/16"	7 1/2"	9 11/16"	3.1
TT 125	4 13/16"	5 1/2"	6 9/16"	7 1/2"	9 11/16"	3.1
TT 150	5 3/4"	7 11/16"	8 3/4"	9 13/16"	11 5/8"	6.6
TT 200	7 13/16"	8 1/4"	9 7/16"	10 1/4"	11 5/8"	14.1
TT 250	9 3/4"	10 1/8"	11 5/16"	12 11/16"	15 1/16"	18.3
TT 315	12 3/8"	12 11/16"	14 1/4"	16 1/16"	22 15/16"	25.1



## EASY INSTALLATION



Fix the fan mounting plate on the fl at surface.



Install the removable body inside the fan case.



Lock the removable body by clamps with latches.



Secure latches by screws.



Attach the ducts with clamps.



Insert the plug into electrical socket - the fan is READY TO GO!



Select a required speed by the built-in speed switch. ENJOY the FRESH AIR.



No dismantling or disassembling! Just remove the central body from the case and complete the servicing!

## ACCESSORIES

For more information on available accessories, see pages J8-J11 in Accessories & Motors section.

# TURBO TUBE PRO SERIES

## Super High Powered Inline Fans



Ideal for Kitchens, Pools, Stores, Bars, Restaurants, Offices, Manufacturing Facilities, and more.

**TURBO TUBE PRO** series is the **NEW IDEAL ENGINEERING SOLUTION** for premises where powerful, yet quiet airflow is required.

The combination of a unique motor, powerful mixed flow impeller and special aerodynamic case enables the **TURBO TUBE PRO** fans to deliver superb airflow performance even at higher static pressure typically found in extensive ventilation systems.



### FEATURES

- High Performance: up to 378 CFM.
- Energy Efficient: 38 – 81 w.
- Duct Compatibility: 4", 5", 6".
- High Pressure.
- Built-in 2-speed switch & power cord included.
- Rotary and removable central "body" for easy installation & maintenance.
- Double-speed capacitor motor with thermal overload protection.
- Long-life ball bearing (up to 40 000 hours).
- Vibration free operation.
- Compact size for limited spaces.
- Lightweight, durable and uv resistant plastic case (flame rating – 5va).
- Corrosion free.
- 3 year warranty.

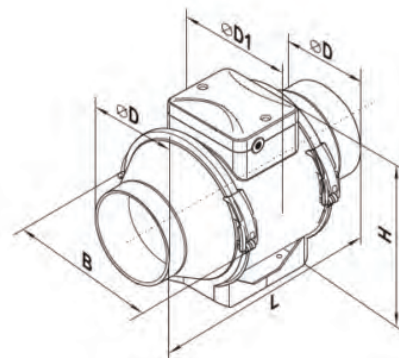
### PERFORMANCE SPECIFICATIONS

MODEL	ENERGY STAR CERTIFIED	SPEED	RPM*	DUCT DIA.	WATTS*	AMPS*	CFM VS. STATIC PRESSURE (Ps) IN WG										VOLTS/Hz	
							0"	0.1"	0.2"	0.3"	0.4"	0.5"	0.6"	0.7"	0.8"	0.9"		1.0"
TT PRO 100	yes	high	2927	4"	48	0.4	210	198	184	164	135	107	79	59	44	26	2	120V/60Hz
		low	2414		38	0.32	144	131	121	106	91	70	51	33	14	2	-	
TT PRO 125	yes	high	3003	5"	62	0.53	286	269	250	229	209	154	99	63	31	-	-	120V/60Hz
		low	2570		48	0.42	221	208	192	173	146	106	73	44	9	-	-	
TT PRO 150	yes	high	2981	6"	81	0.69	378	366	355	342	328	313	298	281	259	233	127	120V/60Hz
		low	2432		75	0.64	313	296	278	258	240	219	198	164	121	121	54	

\* The parameters RPM, Watts, Amps are indicated at 0.2 in WG static pressure.

### DIMENSIONS

MODEL	DIMENSIONS					WEIGHT (lbs)
	ØD	ØD1	B	H	L	
TT PRO 100	3 3/4"	5 1/2"	6 9/16"	7 1/2"	9 11/16"	3.1
TT PRO 125	4 13/16"	5 1/2"	6 9/16"	7 1/2"	9 11/16"	3.1
TT PRO 150	5 3/4"	7 11/16"	8 3/4"	9 13/16"	11 5/8"	6.6

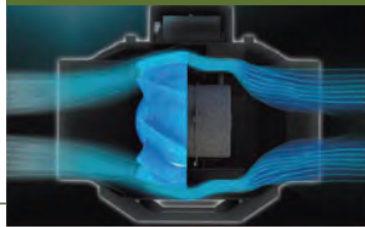


# TURBO TUBE PRO SERIES

## Super High Powered Inline Fans

### INNOVATIVE DESIGN

#### AERODYNAMIC CASE



The unique motor and special aerodynamic case combination enables the fans to deliver superb airflow performance even at higher static pressure.

#### NEWLY DESIGNED IMPELLER



The newly designed impeller, due to the specifically changed angle of inclination, provides the most powerful airflow at any pressure in ventilation systems.

#### EASY TO INSTALL & CLEAN



The removable body, including motor, impeller and junction box, is the ultimate solution for easy installation & cleaning.

#### EASY CONNECTION



The removable body with the junction box can be rotated 180° to facilitate mounting and wiring.

#### BUILT-IN SPEED CONTROLLER



The Double-speed motor is controlled with a built-in speed switch.

#### INTEGRATED MOUNTING BRACKET



The fan case is equipped with a mounting plate to attach the fan to the wall or ceiling.

### EASY INSTALLATION



Fix the fan mounting plate on the flat surface.



Install the removable body inside the fan case.



Lock the removable body by clamps with latches



Secure latches by screws.



Attach the ducts with clamps.



Insert the plug into electrical socket - the fan is READY to GO!



Select a required speed by the built-in speed switch. ENJOY the FRESH AIR.



No dismantling or disassembling! Just remove the central body from the case and complete the servicing!

### ACCESSORIES

For more information on available accessories, see pages J8-J11 in Accessories & Motors section.

# TURBO TUBE SILENT SERIES

## Quiet and Energy Efficient Inline Mixed Flow Fans



Ideal for bathrooms, kitchens, apartments, offices, libraries, education facilities, galleries and more.

Following the latest worldwide ventilation trends, we developed a new **INLINE MIXED FLOW FAN - TURBO TUBE SILENT** series - with super low noise and excellent aerodynamics.

**TURBO TUBE SILENT** fans provide ultra quiet operation & excellent airflow even in high-pressure systems. The specially designed and optimized case and the new aerodynamic mixed flow impeller ensure the highest performance.



### FEATURES

- Quiet Operation: 0.6 – 2.5 Sones.
- High Performance - up to 327 CFM.
- Energy Efficient - 22 – 64 W.
- Duct Compatibility: 4", 5", 6".
- Compatible with high pressure system.
- Double Speed capacitor motor with thermal overload protection.
- Long-life ball bearing (up to 40,000 hours).
- Built-in 2-speed control switch & power cord.
- Rotary and removable central body for easy installation & maintenance.
- Compact size for limited spaces.
- Lightweight, durable and UV resistant plastic case (Flame rating - 5VA).
- Vibration free operation.
- Corrosion free.
- 3 year warranty.

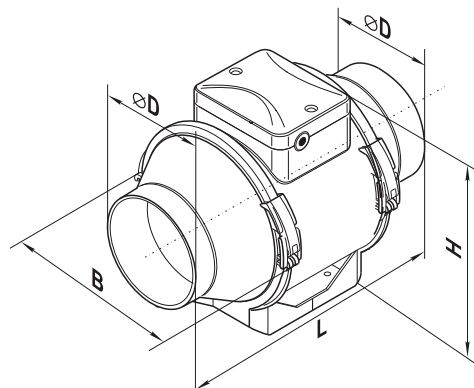
### PERFORMANCE SPECIFICATIONS

MODEL	ENERGY STAR CERTIFIED	SPEED	RPM*	SONES	DUCT DIA.	WATTS*	AMPS*	CFM VS. STATIC PRESSURE (Ps) IN WG											MAX Ps	VOLTS/Hz
								0"	0.1"	0.2"	0.3"	0.4"	0.5"	0.6"	0.7"	0.8"	0.9"	1.0"		
TT Silent 100	no	high	1994	1.5	4"	30	0.25	146	128	110	88	64	44	21	9	-	-	-	0.78	120V/60Hz
		low	1500	0.9		24	0.21	109	88	68	47	22	10	-	-	-	-	-	-	
TT Silent 125	yes	high	2059	1.3	5"	37	0.31	200	183	161	137	93	62	32	0	-	-	-	0.7	120V/60Hz
		low	1360	0.6		25	0.22	132	106	80	51	13	-	-	-	-	-	-	-	
TT Silent 150	yes	high	2617	2.5	6"	66	0.55	327	316	299	283	268	247	225	194	138	83	50	1.22	120V/60Hz
		low	1933	1.1		52	0.45	240	219	194	171	134	111	86	57	27	7	-	0.93	

\* The parameters RPM, Watts, Amps are indicated at 0.2 in WG static pressure.

### DIMENSIONS

MODEL	DIMENSIONS (Inches)				
	ØD	B	H	L	
TT Silent 100	3 13/16"	7 11/16"	8 15/16"	11 15/16"	3.4
TT Silent 125	4 13/16"	7 11/16"	8 15/16"	10 3/16"	3.3
TT Silent 150	5 13/16"	8 11/16"	9 3/4"	11 3/8"	4.6



# TURBO TUBE SILENT SERIES

Quiet and Energy Efficient Inline Mixed Flow Fans

## INNOVATIVE DESIGN

### AERODYNAMIC CASE



The diffuser, impeller and guide vanes provide a smooth laminar (non-turbulent) airflow that minimizes noise and generates excellent airflow in high pressure systems.

### NEWLY DESIGNED IMPELLER



The hemispheric shaped impeller with specially profiled blades are designed to ensure super silent operation.

### EASY TO INSTALL & CLEAN



The removable body, including motor, impeller and junction box, is the ultimate solution for easy installation & cleaning.

### EASY CONNECTION



The removable body with the junction box can be rotated 180° to facilitate mounting and wiring.

### BUILT-IN SPEED CONTROLLER



The double-speed motor is controlled with a built-in speed switch.

### INTEGRATED MOUNTING BRACKET



The fan case is equipped with a mounting plate to attach the fan to the wall or ceiling.

## EASY INSTALLATION



Fix the fan mounting plate on the flat surface.



Install the removable body inside the fan case.



Lock the removable body by clamps with latches.



Secure latches by screws.



Attach the ducts with clamps.



Insert the plug into electrical socket - the fan is READY to GO!



Select a required speed by the built-in speed switch. ENJOY the FRESH AIR.



No dismantling or disassembling! Just remove the central body from the case and complete the servicing!

## ACCESSORIES

For more information on available accessories, see pages J8-J11 in Accessories & Motors section.



# TURBO TUBE SILENT M SERIES

Quiet and Energy Efficient Fans In Metal Noise Absorbing Case



Ideal for bathrooms, kitchens, apartments, offices, libraries, education facilities, galleries and more.

Following the latest worldwide ventilation trends, we developed a new **INLINE MIXED FLOW FAN - TURBO TUBE SILENT M** series - with super low noise and excellent aerodynamics.

**TURBO TUBE SILENT M** fans provide ultra quiet operation & excellent airflow even in high pressure systems. The specially designed and optimized case and the new aerodynamic mixed flow impeller ensure the highest performance.

## FEATURES

- Silent Operation: 0.3 – 4.0 Sones.
- High Performance - up to 1050 CFM.
- Energy Efficient - 22 – 353 W.
- Duct Compatibility: 4", 5", 6", 8", 10", 12 3/8".
- Compatible with high pressure system.
- Double Speed capacitor motor with thermal overload protection.
- Long-life ball bearing (up to 40,000 hours).
- Built-in speed control switch & power cord .
- Durable metal noise absorbing case.
- Rotary and removable central body for easy installation & maintenance.
- Compact size for limited spaces.
- Vibration free operation.
- 3 year warranty.

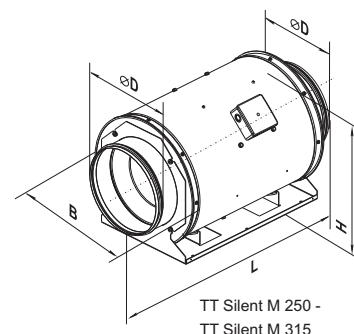
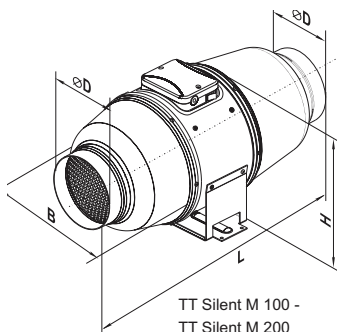
## PERFORMANCE SPECIFICATIONS

MODEL	SPEED	RPM*	SONES	DUCT DIA.	WATTS*	AMPS*	CFM VS. STATIC PRESSURE (Ps) IN WG										VOLTS/Hz		
							0"	0.1"	0.2"	0.3"	0.4"	0.5"	0.6"	0.7"	0.8"	0.9"		1"	
TT Silent M 100	high	2363	1.2	4"	28	0.24	128	113	97	76	56	32	10	-	-	-	-	-	120V/60Hz
	low	2065	0.3		22	0.2	99	81	62	40	12	-	-	-	-	-	-	-	
TT Silent M 125	high	2303	0.9	5"	35	0.3	188	174	158	130	94	60	30	0	-	-	-	-	120V/60Hz
	low	1990	0.4		23	0.22	116	90	68	38	0	-	-	-	-	-	-	-	
TT Silent M 150	high	2570	2.0	6"	67	0.55	327	314	299	284	266	245	224	190	140	89	48	120V/60Hz	
	low	1847	1.0		53	0.45	240	220	192	171	135	111	86	56	28	5	-		-
TT Silent M 200	high	2303	2.0	8"	111	0.93	473	455	432	405	379	352	313	274	221	155	89	120V/60Hz	
	low	1990	0.7		70	0.58	349	323	294	249	203	158	108	57	26	13	0		-
TT Silent M 250	high	2570	4.0	10"	200	1.68	880	874	866	858	850	842	832	821	794	751	708	120V/60Hz	
	low	1847	2.0		130	1.11	655	648	630	608	587	565	531	497	450	390	330		-
TT Silent M 315	high	2570	3.5	12 3/8"	353	2.95	1050	1026	999	971	942	914	884	853	823	794	764	120V/60Hz	
	low	1847	2.0		236	1.95	830	804	770	726	682	638	581	524	464	399	335		-

\* The parameters RPM, Watts, Amps are indicated at 0.2 in WG static pressure.

## DIMENSIONS

MODEL	DIMENSIONS (Inches)			
	ØD	B	H	L
TT Silent M 100	3 7/8"	8 1/2"	9 7/16"	19 7/8"
TT Silent M 125	4 13/16"	8 9/16"	9 3/8"	18 11/16"
TT Silent M 150	5 13/16"	9 3/4"	10 3/16"	22 13/16"
TT Silent M 200	7 13/16"	9 11/16"	10 15/16"	20 7/16"
TT Silent M 250	9 13/16"	14 3/4"	14 5/16"	25 3/16"
TT Silent M 315	12 3/8"	17 1/8"	17 3/8"	31 7/8"



## ACCESSORIES

For more information on available accessories, see pages J8-J11 in Accessories & Motors section.

# VKP SERIES

## Inline Centrifugal Fans - Back Curved Impeller



**Designed for extract and input ventilation. Ideal for apartments & condos.**

VKP fans are specially designed for extract and input ventilation and is the perfect air movement solution for areas with tight spaces providing small to medium airflow. The VKP series is suitable for general ventilation and dryer exhaust application. The fans offer a variety of choices of extract and input ventilation options and enables ducting from multiple sources.



### FEATURES

- Excellent aerodynamics and low noise.
- External rotor motor on ball bearings and the backward curved, balanced impeller is suitable for high pressure application, prevent vibration and ensure quiet operation.
- Fan housing is made of galvanized steel.
- VKP 125/125-2 and VKP 150/150-2 models are available with two inlets.
- Suitable for low ceilings and tight spaces.
- Hinges provide quick and fast access to the motor for easy cleaning and maintenance.
- Vertical or horizontal installation.
- 3 year warranty.

### DRYER EXHAUST APPLICATION EXAMPLE



### PERFORMANCE SPECIFICATIONS

MODEL	WATTS*	AMPS*	DUCT DIA.	CFM VS. STATIC PRESSURE (Ps) IN WG												MAX Ps	VOLTS / HZ
				0"	0.1"	0.2"	0.3"	0.4"	0.5"	0.6"	0.7"	0.8"	0.9"	1"			
VKP100	30	0.27	4"	104	98	94	89	84	77	69	61	52	43	33	1.2	120 / 60	
VKP125	67	0.56	5"	212	208	201	192	182	172	162	152	142	132	120	1.6	120 / 60	
VKP150	102	0.85	6"	295	287	278	270	260	251	242	233	225	215	206	3	120 / 60	
VKP125/125-2	74	0.61	5" / 5"	244	234	223	213	204	194	183	170	160	150	140	1.9	120 / 60	
VKP150/150-2	119	1	6" / 6"	360	348	332	316	302	289	272	259	245	233	220	3	120 / 60	

### DIMENSIONS

MODEL	DIMENSIONS (Inches)					Figure
	ØD	ØD1	L	B	H	
VKP100	3 15/16"	3 15/16"	13 7/8"	9 7/8"	6 3/8"	1
VKP125	4 7/8"	4 7/8"	16 3/16"	12 3/16"	7 1/2"	1
VKP150	5 7/8"	5 7/8"	18 3/16"	15 7/16"	7 1/2"	1
VKP125/125-2	4 7/8"	4 7/8"	16 3/16"	12 3/16"	7 1/2"	2
VKP150/150-2	5 7/8"	5 7/8"	18 3/16"	15 7/16"	7 1/2"	2

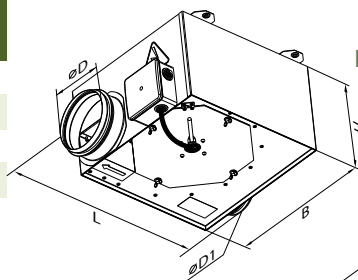
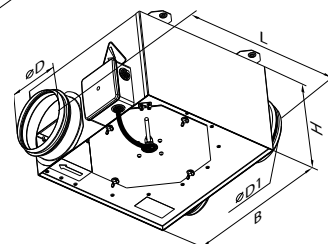


FIGURE 1 - Inline Dryer Booster Fan

FIGURE 2 - Twin Intake Fan



### ACCESSORIES

For more information on available accessories, see pages J8-J11 in Accessories & Motors section.

# VKOM SERIES

## Axial Fans



Specially designed for mounting inside ventilation shafts, VKOM fans are the perfect air movers. These fans can effectively and quietly handle major ventilation challenges such as large warehouses without taking up valuable space.

### FEATURES

- Voltage: 120 V, 60 Hz.
- Motor: Single-phase asynchronous motor.
- Duct compatibility: Ø 6", 8".
- Airflow capacity: up to 262 CFM.
- Sones: 1.6 – 5.1.
- Power consumption: 28 – 109 W.
- Suitable for working airstreams up to 32-104 °F.
- IPX4 protection.
- Thermal overload protection.
- Three year warranty.

### MOUNTING

VKOM fans are easy to install. The fans are supplied with fastening brackets and can be installed both vertically and horizontally. The fans can be wired through a wall switch in the room or with an optional control that corresponds to power and current of the fan.

### MOTOR

External rotor motor on ball bearing with thermal protection ensures long life of the fans.

### HOUSING

Fan's body is made of steel with polymeric coating, while the impeller is made of aluminum.

### ACCESSORIES

- Air Ducts
- Grilles and Hoods
- Backdraft Dampers
- Speed Controls
- Clamps

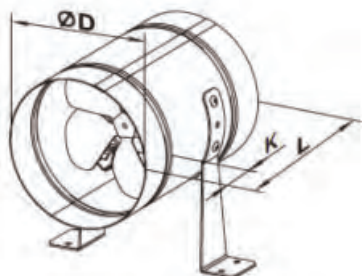
For more information on available accessories, see pages J8-J11 in Accessories & Motors section.

### PERFORMANCE SPECIFICATIONS

MODEL	RPM	SONES	DUCT DIA.	MAX WATTS	MAX AMPS	CFM vs. STATIC PRESSURE (Ps) in WG				MAX Ps	VOLTS
						0"	0.125"	0.25"	0.375"		
VKOM 150	1650	1.6	6"	28	0.41	115	61	-	-	0.22	115
VKOM 200	1680	2.5	8"	43	0.63	262	211	56	-	0.3	115

### DIMENSIONS

MODEL	DIMENSIONS		
	ØD	L	K
VKOM 150	6 5/16"	8 11/16"	1 9/16"
VKOM 200	8 1/8"	8 11/16"	1 9/16"



# CFR SERIES

## CAV Flow Regulator



### GENERAL INFORMATION

Constant air volume (CAV) regulator CFR automatically adjusts itself to maintain a predefined airflow rate. When the pressure increases or decreases the regulating mechanism reacts by opening or closing the throttle, thus maintaining a constant airflow. The CFR series is designed for low pressure (0.2 to 0.8" SP), can be mounted in both horizontal and vertical duct lines, and be used at either the supply or exhaust side. The regulating mechanism includes a stainless steel spring and is made from class M1 (according to NFP 92-501) PVC plastic for use at temperatures up to 140°F (60°C). It is equipped with an EPDM gasket providing a tight connection between the regulator and a ventilation pipe wall. The regulator should be mounted in the distance equal at least 3 times its diameter from a supply valve and at least 1 diameter away from exhaust valve.

### TYPICAL APPLICATIONS

- Supply and exhaust air in offices, apartments, sleeping quarters in military facilities, submarines, etc.
- Balancing exhaust and supply airflow in high-rise buildings
- Bathroom exhaust
- Air supply balancing for ceiling filter modules while maintaining constant airflow even as filter resistance increases
- Regulation of make-up air
- Regulating conditioned air to sealed crawlspace
- Balancing supply airflow from roof-top A/C units
- Supply and exhaust of heat recovery ventilation systems
- Controlling outdoor air from central supply fan into individual fan coil units or heat pumps
- Balancing airflow on fan powered terminal unit systems

### ADJUSTMENT PROCESS

1. Select the maximum flow rate (in CFM) from the Performance Curves table (right).
2. Note the Adjust Scale number next to the desired flow.
3. Loosen the adjustment screw.
4. Adjust the carriage that holds the regulator up and down to line up the top of the carriage with the desired Adjust Scale number.

In the picture below, the CFR is set to 50 on the Adjust Scale. That equates to 30 CFM.

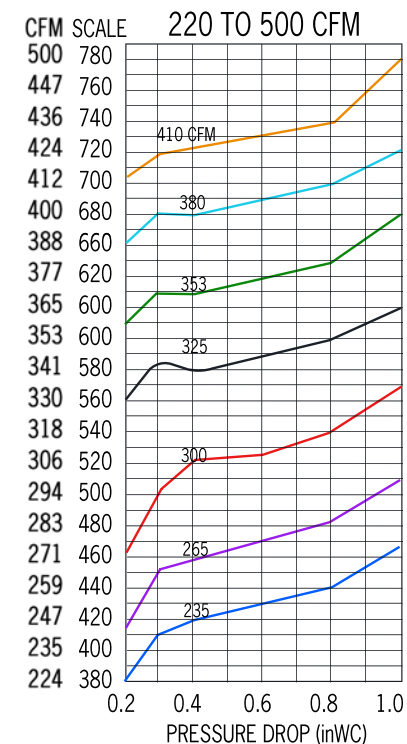
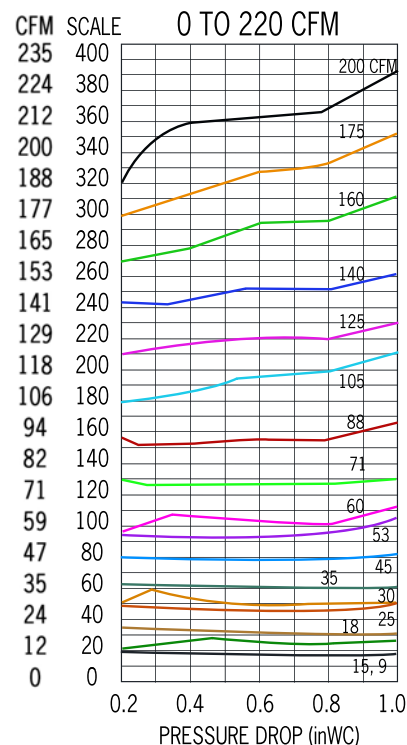
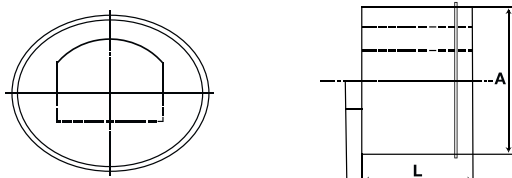


### DIMENSIONS

MODEL	DESCRIPTION	NOMINAL DIAMETER (in)	CFM RANGE	A (in)	L (in)	WEIGHT (lbs)
CFR3-30*	3" Adjustable Constant Flow Regulator 10 to 30 CFM	3	10 to 30	3	1.85	0.16
CFR4-30	4" Adjustable Constant Flow Regulator 10 to 30 CFM	4	10 to 30	3.78	2.24	0.25
CFR4-60	4" Adjustable Constant Flow Regulator 30 to 60 CFM	4	30 to 60	3.78	2.24	0.25
CFR5-60	5" Adjustable Constant Flow Regulator 30 to 60 CFM	5	30 to 60	4.74	2.44	0.35
CFR5-105	5" Adjustable Constant Flow Regulator 60 to 105 CFM	5	60 to 105	4.74	2.44	0.35
CFR6-105	6" Adjustable Constant Flow Regulator 60 to 105 CFM	6	60 to 105	5.86	3.39	0.71
CFR6-175	6" Adjustable Constant Flow Regulator 105 to 175 CFM	6	105 to 175	5.86	3.39	0.71
CFR8-175*	8" Adjustable Constant Flow Regulator 105 to 175 CFM	8	105 to 175	7.57	3.39	1.05
CFR8-300	8" Adjustable Constant Flow Regulator 175 to 300 CFM	8	175 to 300	7.57	3.39	1.05
CFR10-300*	10" Adjustable Constant Flow Regulator 175 to 300 CFM	10	175 to 300	9.43	3.39	1.74
CFR10-410*	10" Adjustable Constant Flow Regulator 300 to 410 CFM	10	300 to 410	9.43	3.39	1.74

All the above are factory set for maximum flow rate but can be special ordered in bulk preset to desired flow rate.

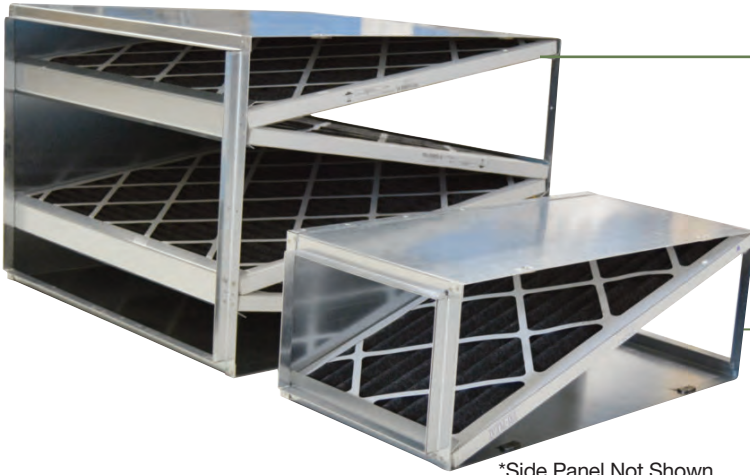
\*SPECIAL ORDER



CONSTANT FLOW REGULATOR PERFORMANCE CURVES

# CARBON FILTER BOXES

Used for odour abatement.



\*Side Panel Not Shown

The Canarm CFS Filter box is designed to improve air quality in a commercial or industrial environment where odour removal is necessary. The replaceable pleated Carbon filters eliminate odours, captures organic and inorganic materials, and removes pathogens from the airstream. They can be used for intake, exhaust, or recirculation.

## FEATURES

- Easy to install and maintain
- Galvanized steel housing
- Replaceable pleated carbon filters
- 700 to 5600 CFM range
- Side access door

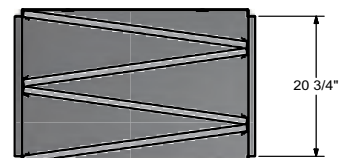
## PERFORMANCE SPECIFICATIONS

MODEL #	DESCRIPTION	Recommended Airflow @ 350 FPM	Pressure Drop @ 500 FPM
CFS1-12	Carbon filter section with 1 - 24"x12"x1"	700 CFM	0.48
CFS1-24	Carbon filter section with 1 - 24"x24"x1"	1400 CFM	0.48
CFS2-12	Carbon filter section with 2 - 24"x12"x1"	1400 CFM	0.48
CFS2-24	Carbon filter section with 2 - 24"x24"x1"	2800 CFM	0.48
CFS3-12	Carbon filter section with 3 - 24"x12"x1"	2100 CFM	0.48
CFS3-24	Carbon filter section with 3 - 24"x24"x1"	4200 CFM	0.48
CFS4-12	Carbon filter section with 4 - 24"x12"x1"	2800 CFM	0.48
CFS4-24	Carbon filter section with 4 - 24"x24"x1"	5600 CFM	0.48

Note: Change Filters when static pressure doubles across the filters.

## DIMENSIONS

MODEL #	UNIT	OVERALL WIDTH	OVERALL HEIGHT	OVERALL LENGTH	DISCHARGE HEIGHT	DISCHARGE WIDTH
CFS1-12	1 FILTER 24" x 12"	11 5/8"	6 1/4"	24 7/8"	4 3/4"	10 1/8"
CFS1-24	1 FILTER 24" x 24"	23 5/8"	6 1/4"	24 7/8"	4 3/4"	22 1/8"
CFS2-12	2 FILTER 24" x 12"	11 5/8"	11 1/4"	24 7/8"	9 3/4"	10 1/8"
CFS2-24	2 FILTER 24" x 24"	23 5/8"	11 1/4"	24 7/8"	9 3/4"	22 1/8"
CFS3-12	3 FILTER 24" x 12"	11 5/8"	16 3/4"	24 7/8"	15 1/4"	10 1/8"
CFS3-24	3 FILTER 24" x 24"	23 5/8"	16 3/4"	24 7/8"	15 1/4"	22 1/8"
CFS4-12	4 FILTER 24" x 12"	11 5/8"	22 1/4"	24 7/8"	20 3/4"	10 1/8"
CFS4-24	4 FILTER 24" x 24"	23 5/8"	22 1/4"	24 7/8"	20 3/4"	22 1/8"



# HFB AIR PURIFICATION KIT

Protect your community and breathe with confidence using Canarm's New HFB Series to purify the air.



Great for Healthcare, Schools, Restaurants, Offices, Airports and more.

- HEPA filter box that works to enhance the building's HVAC system.
- Easy transition into existing ductwork, no expensive upgrades.
- Booster fan for up to 2,000 CFM available to counter additional pressure from filters if needed.
- High quality HEPA filters with efficiencies of 99.97 to 99.99% on 0.3 micron particles to ensure performance in the most critical applications.
- Pre-filter to prolong the life of the HEPA filter.
- Could accommodate up to a 2" pre-filter

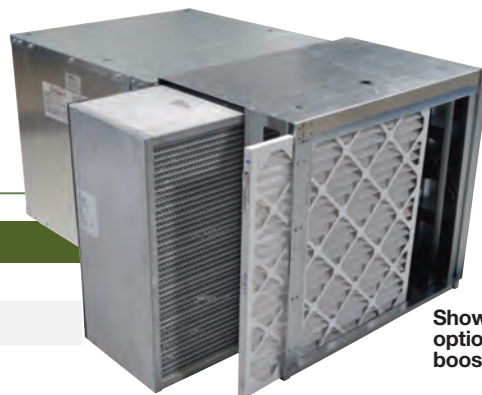
## HEPA FILTRATION

Filters are manufactured from high quality components, under demanding quality control conditions. They are certified to ensure performance in the most critical of applications. Available in efficiencies from 99.97% to 99.99% on 0.3 micron particles for HEPA level air filtration, where ultra-clean air, increased airflow capacity and energy-savings are critical.

### Filter features:

- Metal frame creates a durable, dimensionally stable corrosion-resistant enclosure.
- The frame is assembled without the use of penetrating fasteners to ensure leak-free performance throughout the life of the filter.
- The edges and separators are reinforced for added strength and to protect the media from damage during manufacture, shipping and installation.
- Media provides efficiency to specified performance values. The media is highly resistant to moisture in high humidity environments.
- A one-piece seamless gasket to ensure a seal.

## PERFORMANCE SPECIFICATIONS



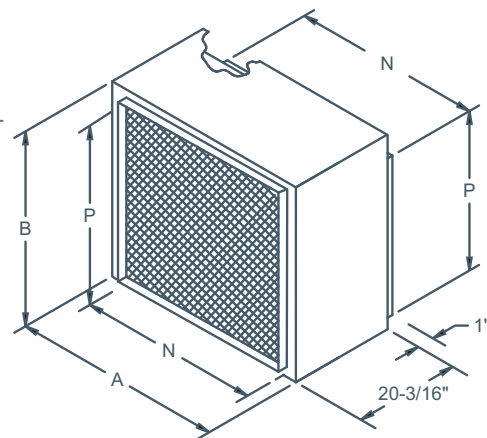
Shown with optional booster fan

PART#	DESCRIPTION
HFB-12	HEPA Filter box for up to 930CFM with HEPA filter (24"x12"x11.5")
HFB-24	HEPA Filter box for up to 2000CFM with HEPA filter (24"x24"x11.5")

\*Carbon filter section could be added to the above for odour abatement

## DIMENSIONS

PART#	A	B	N	P
HFB-12	26 7/8"	12 1/2"	25 1/8"	10 5/8"
HFB-24	26 7/8"	24 1/2"	25 1/8"	21 1/8"



# ERV/HRV

**B1 TWINFRESH COMFO  
RA1-50-2**  
Single Room Total  
Recovery Ventilator



**B4 TWIN FRESH EXPERT  
RW1-50-2 & RA1-50-2**  
Single Room Heat &  
Energy Recovery Units



**B6 HRV MICRA 60**  
Single Room Heat  
Recovery Ventilator



**B8 HRV MICRA 150**  
Single Room Heat  
Recovery Ventilator



**B10 FRIGATE  
ERV-EC 80**  
Energy Recovery  
Ventilator



**B11 FRIGATE HRV/ERV**  
Heat Recovery Ventilator  
Energy Recovery Ventilator



**B13 BRIG HVR 120/170  
& 200/300**  
Heat Recovery Ventilator



**B15 BL SERIES**  
Heat Recovery  
Unit with Rotary  
Heat Exchanger



**B16 AIR CURTAINS**  
Heated and Unheated  
Air Barriers









# TwinFresh COMFO RA1-50-2

## Single Room Total Recovery Ventilator

The Single Room Total Recovery ventilator is an easy and effective solution for rooms and smaller areas providing innovative ventilation for buildings under construction and renovation.

### FEATURES

- Fresh air supply
- Heating cost savings during winter
- Reduced cooling costs during summer
- Indoor humidity control
- One TwinFresh COMFO can ventilate up to 343 sq ft
- Units can operate independently or can be wired for master-slave operation.
- Air filtration
- Anti-bacterial air treatment
- Polluted air extract
- 3 Year Warranty

### BENEFITS

#### Pending patent on ceramic ERV core

External rotor motor on ball bearing with thermal protection ensures long life of the fans.

#### Plug-&-Play installation

- No special skills required
- No balancing needed
- Through the wall installation.
- Compact unit design

#### Multifunctional Wireless Remote Control

- Almost no maintenance required
- Washable filter and core
- MERV6 air purification
- Antibacterial treatment of ERV core and filters

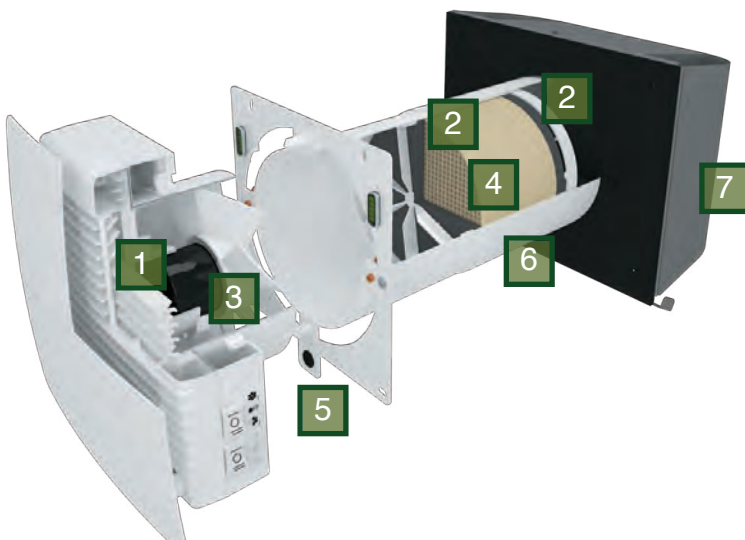
#### Aluminum or stainless steel outer hood

- Modern design that fits any interior and exterior
- 100% corrosion proof

#### EC Motor

- Efficacy 5.7 CFM/W – Twice as high as the Energy Star requirement
- Whisper quiet operation, as low as 0.1 SONES

### TwinFresh COMBO DESIGN



#### 1 Front grille with automatic shutters

Modern design of the front grill makes it look great in any interior. Easy access for filter cleaning or replacement. The front grille is made of high quality snow-white ABS plastic.

#### 2 MERV6 air filter. Antibacterial treatment

Two G3 built-in filters provide fresh air free of dust, pollen, insects.

#### 3 Reversible axial EC fan

The latest EC-motor technology ensures low energy costs. The motor has integrated overheating protection and ball bearings for longer service life.

#### 4 Ceramic ERV core

The ventilator includes a high-tech polymer ceramic energy accumulator with ARE 90% @ 32 F. Antibacterial treatment. No defrost needed.

#### 5 Control

#### 6 Telescopic Duct - diameter 6"

#### 7 Outer hood

The exterior is constructed of aluminum covered with a special polymer coating to ensure long-lasting protection from the elements. A grill protects water and foreign objects from entering the unit.

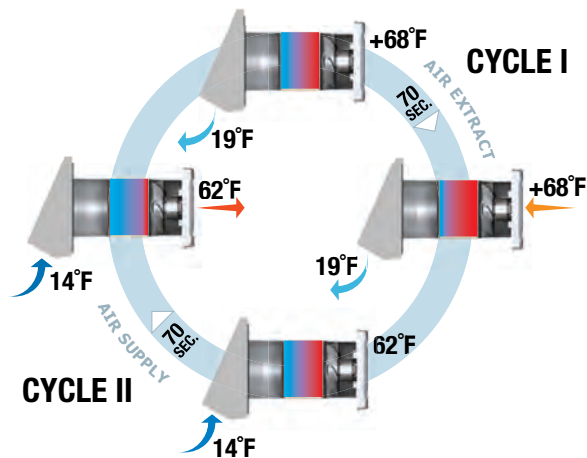
# TwinFresh COMFO RA1-50-2

## Single Room Total Recovery Ventilator

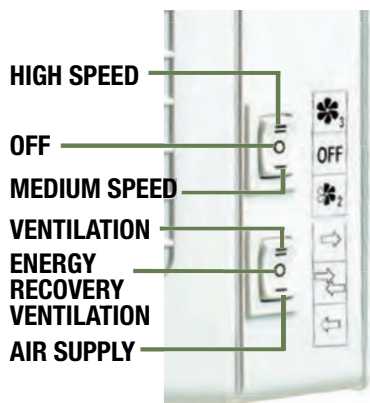
### OPERATION OF TwinFresh COMFO VENTILATORS

The ventilator is designed for both extract and supply ventilation with energy recovery function.

- **CYCLE I.** While warm, stale air is extracted from a room it passes through the ceramic energy core where the heat and moisture is being accumulated. After the ceramic core heats up, the ventilator automatically switches to supply mode.
- **CYCLE II.** As the clean, fresh air from outside passes through the ceramic energy core, it absorbs moisture and it warms up due to the accumulated heat. As temperature of the accumulator drops down, the fan switches to extract mode and the cycle is renewed. The ventilator changes its operation mode for supply or extract ventilation every 70 seconds.



### TwinFresh COMFO CONTROL AND OPERATION MODES



**POWER** Turn ventilator on/off

**SPEED SWITCH**

**PASSIVE AIR SUPPLY**  
The louvre shutters are opened, but the fan stands still.

**VENTILATION**  
All the ventilators in the network operate in permanent air extract or air supply mode.

**HUMIDITY CONTROL MODE SELECTION**  
The ventilator automation enables setting one of three humidity set points (45, 55 or 65%). The ventilator will operate to increase or decrease the indoor humidity level to maintain comfortable environment for you.



**NIGHT MODE**  
The ventilator is switched to low speed on a signal from built-in light sensor.

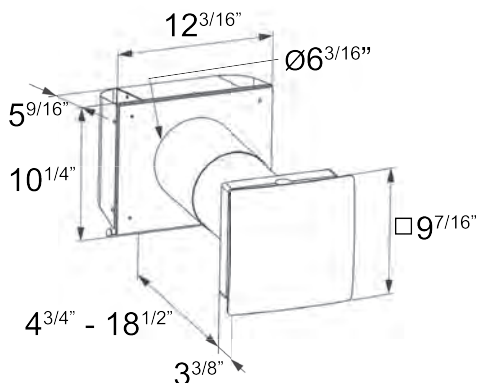
**SUPPLY MODE**  
The fan continuously supplies fresh air to the room.

**VENTILATION WITH ENERGY REGENERATION**  
The ventilator switches from supply and extract modes and vice versa in a set time period to enable the transfer of heat energy in winter and control of moisture in summer.

### PERFORMANCE SPECIFICATIONS

MODEL	SPEED	VOLTAGE (V)	POWER (W)	CURRENT (A)	AIR CAPACITY (CFM)	ROTATION SPEED (MIN-1)	SONES	EFF @32°F	TRANSPORTED AIR TEMP (°F)	INGRESS PROTECTION RATING
RA1-50-2	1	120/60 HZ	3.8	0.024	8	610	0.1	91%	FROM -13 UP TO 122	IP 45
	2		3.96	0.026	16	800	0.3			
	3		5.61	0.039	32	1450	1.0			

### DIMENSIONS



# TwinFresh COMFO RA1-50-2

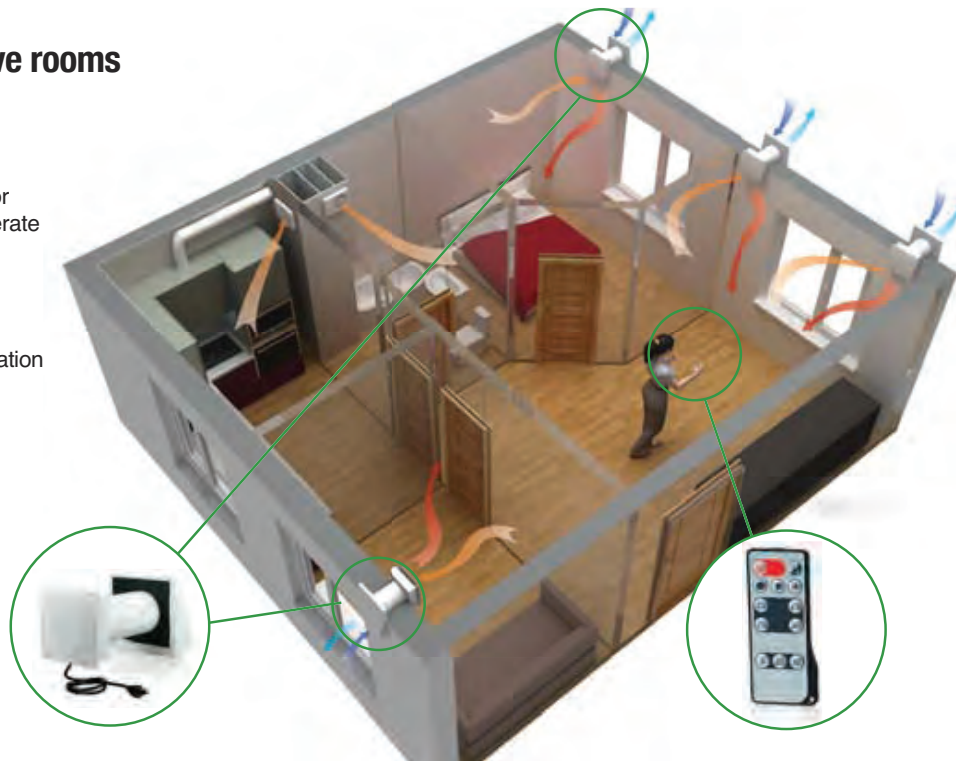
## Single Room Total Recovery Ventilator

### VENTILATION APPLICATION EXAMPLE BASED ON TwinFresh COMFO

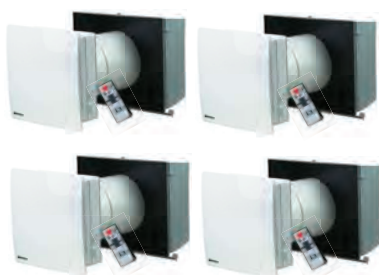
#### One TwinFresh COMFO unit can serve rooms up to 343 SQ.FT

To arrange a ventilation system based on TwinFresh COMFO ventilators, install one unit in each room. For larger premises, install two ventilators. Units can operate independently or can be wired for master-slave operation.

Air flows from one room to another through door grilles, openings or halls and ensures required circulation in premises.



### TwinFresh COMFO VS REGULAR ERV to ventilate a 4 bedroom house



**VS.**



TwinFresh COMFO		REGULAR ERV
No	Ductwork required	Yes
No	Dust collection inside a ductwork	Yes
No	Complicated wiring of the controls	Yes
No	Balancing is required	Yes
No	Professional installers are needed	Yes
No	Additional interior works to hide ducts	Yes
No	Separate room for installation	Yes
No	Antifreeze protection for core	Yes
< 24 W	Power consumption for a 4 bedroom house	> 100 W
≤ 90 %	Apparent Recovery Effectiveness	≤ 80 %
0.2-0.5	Sones/Sound level	3



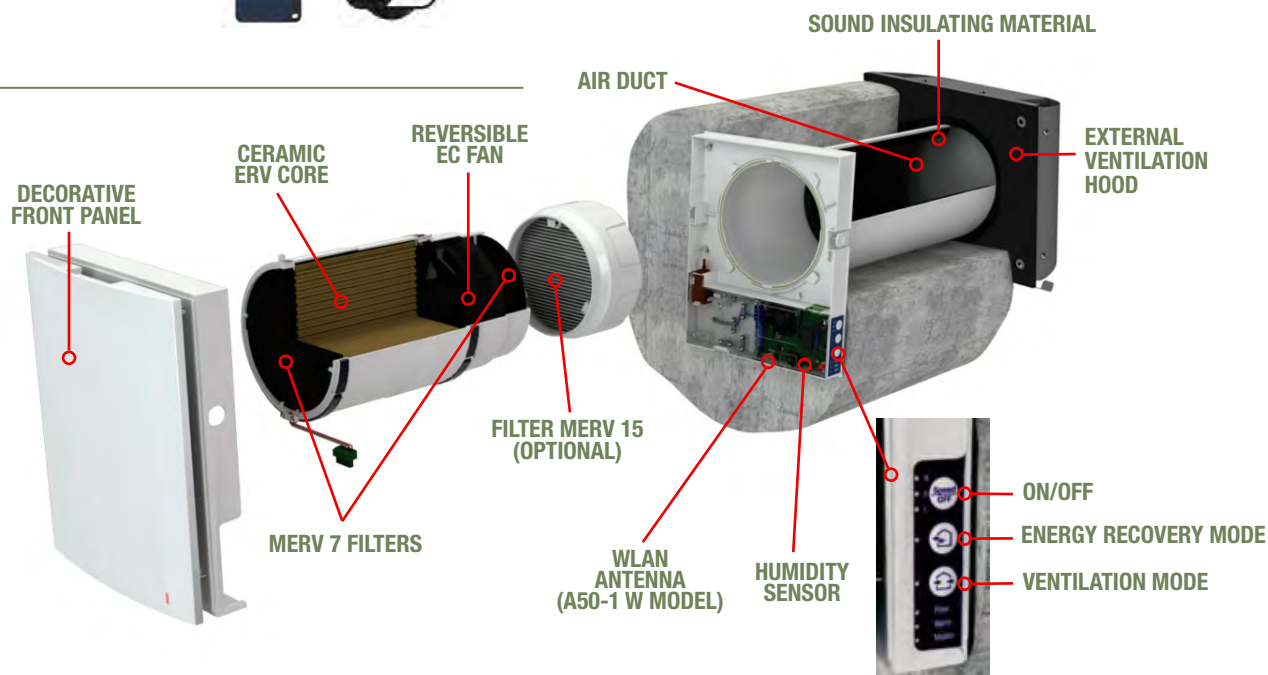
# TWIN FRESH EXPERT RW1-50-2 & TWIN FRESH EXPERT RA1-50-2

## Single Room Heat & Energy Recovery Units

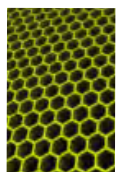


- Arrangement of efficient energy saving, supply and exhaust, single-room ventilation in apartments, houses, cottages, social and commercial environments.
- Reduces heat loss by mixing outside and inside air.
- Wi-Fi communication between several single-room ventilation units for coordinated operation. Controlled by Android or IOS smartphone or tablet.

### DESIGN



Integrated automatic air shutters prevent air back drafting.



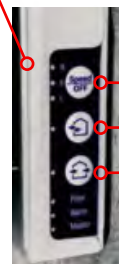
Innovative hexagonal structure of the heat exchanger cells provides the best regeneration efficiency on the market.



Easy maintenance. Indoor unit is opened by pressing the latches on both sides.



The specially designed front panel can be closed manually to ensure 100% air tightness and protect against wind.



- ON/OFF
- ENERGY RECOVERY MODE
- VENTILATION MODE

- Speed
- Ventilation mode
- Energy recovery mode
- Night timer : Low speed for 8 hours
- Party timer: High speed for 4 hours

Built-in Wi-Fi for wireless communication between units and Android or iOS device control.

### SPECIFICATIONS

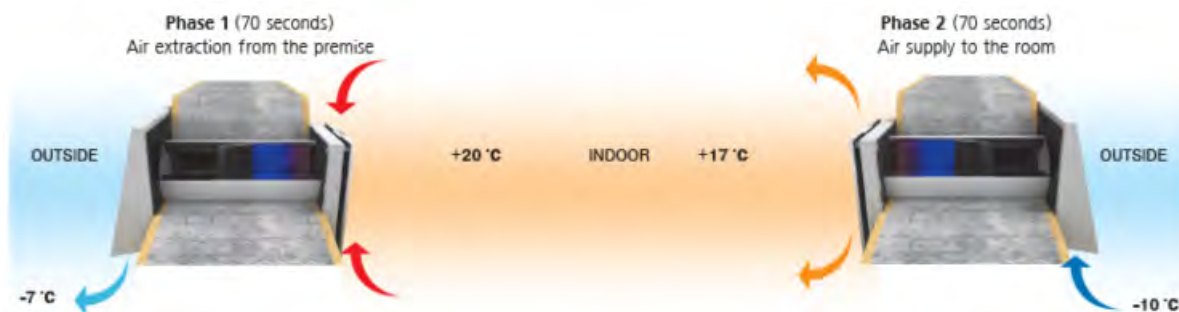
MODEL	SPEED	VOLTAGE	POWER (W)*	CURRENT (A)	RPM (MIN)	CFM		TEMP OF TRANSPORTED AIR (F)	FILTER	SONES		RECOVERY EFFICIENCY (%)	INGRESS PROTECTION RATING
						AIRING MODE	ENERGY RECOVERY MODE			(@ 3.3 FT)	(@ 9.9 FT)		
TWIN FRESH EXPERT RW1-50-2 / TWIN FRESH EXPERT RA1-50-2	1	100-230	4.5	0.035	800	9	4.5	-22 to +122	MERV 7	0.6	0.3	97	IP24
	2		5.08	0.040	1300	18	9			1.0	0.5	90	
	3		7.06	0.059	1900	29	14.5			1.2	0.6	82	

Recovery efficiency [%] in accordance with DIBt LÜ-A 20

# TWIN FRESH EXPERT RW1-50-2 & TWIN FRESH EXPERT RA1-50-2

Single Room Heat & Energy Recovery Units

## WINTER OPERATION



- Warm stale air is extracted from inside, flows through the ceramic core and transfers its heat energy and moisture to it.
- As the ceramic core gets warmed up, the unit switches to the supply mode.

- Clean cold intake air flows through the core and absorbs accumulated heat and humidity.
- When the ceramic core is cooled down, the unit switches to the extract air mode.

## CONTROL

The units can be connected by Wi-Fi for synchronized operation. The Twin Fresh Expert RW1-50-2 unit can be connected to a laptop for advanced settings:

- Master or slave
- Supply or exhaust operation in ventilation mode
- Connection through a Wi-Fi router or directly to a smartphone.

The unit is equipped with a humidity sensor for indoor humidity control. Connection of the units in series ensures balanced ventilation. First unit in the chain becomes the master. Ventilation mode of the entire system can be controlled by means of the control panel on the master unit. A signal from the remote control is received by the master unit only.

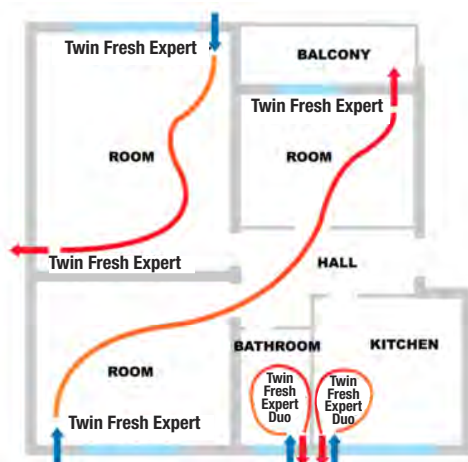


## MOUNTING

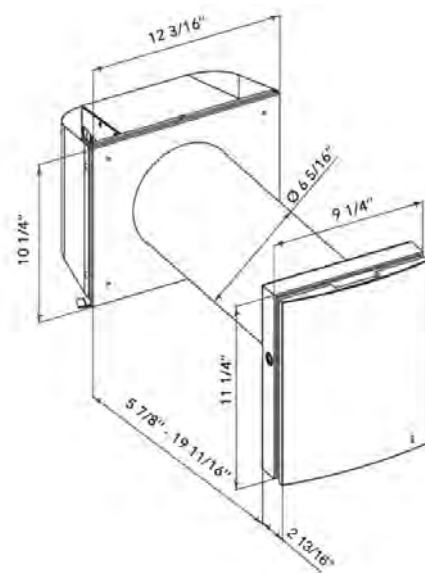
- The unit is designed for through-the-wall installation inside a prepared hole in an outer wall of the building.
- The best ventilation solution is pairwise installation of reverse phase connected units. Some units ensure supply of fresh air to the room and the other units extract air from the premise. This way the most efficient balanced ventilation is arranged.

In new construction the units are mounted in two stages:

- Pre-installation at the stage of the indoor finishing and outer decorative wall finishing. It includes installation of an air duct, an outer ventilation hood and cable installation
- Completion of the installation before commissioning of a house. It includes installation of the indoor unit with controller and shutters, the cartridge, the fan and the filters.



## DIMENSIONS



# HRV MICRA 60

## Single Room Heat Recovery Ventilator



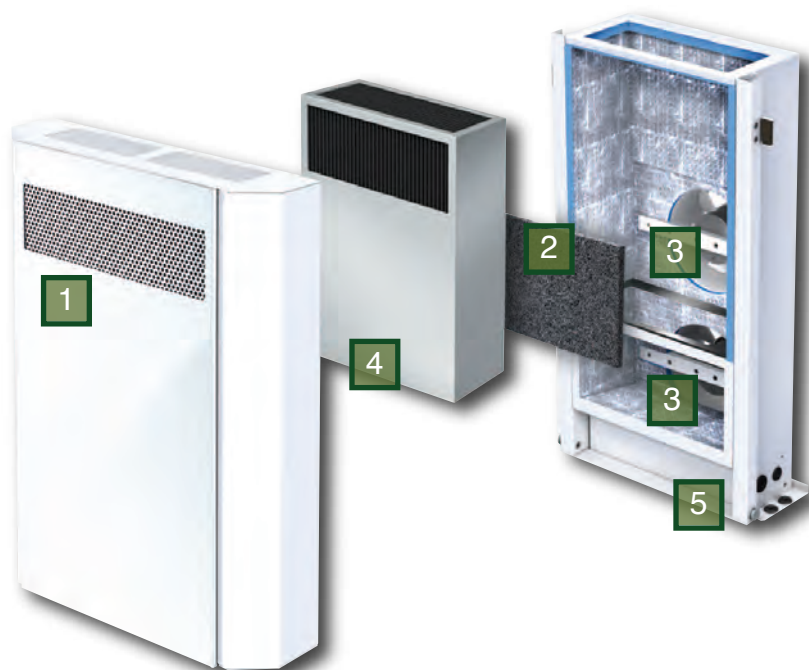
Micra 60 is a single room heat recovery ventilator suitable for large rooms, such as apartments or small commercial places. No need to connect to air ducts. It provides a great solution for simple and efficient single room heat recovery applications.

### FEATURES

- Efficient heat recovery ventilation for separate rooms
- Energy recovery efficiency is 79%
- EC-motor
- Three operating modes
- Silent operation (0.38 – 1.0 Sones)
- For rooms up to 650 sq ft
- Air cleaning with two G4 built-in filters
- Easy mounting
- Suitable for continuous operation
- 3 Year Warranty



### MICRA 60 DESIGN



#### 1 Casing

Polymer coated metal casing is decorated with mirror like stainless steel that contains 9/16" thermal and sound insulating layer. The modern unit design matches any interior. Easy access to service the unit, to change or replace filter. Air is supplied to the room and exhausted outside through two 5" air ducts.

#### 2 Air Filtration

Two built in G4 filters ensure the filtration of supply and extract air. The filters purify the air by removing contaminants, particles and prevent dust from entering the house.

#### 3 Motor

Axial fans are powered by energy-efficient EC-motors. The motors are equipped with built-in thermal overheating protection and ball bearings for longer service life.

#### 4 Heat Recovery Core

The ventilator is equipped with a high-tech plate counter-flow aluminum heat recovery core. Energy recovery efficiency is 79%. Using the MICRA in both cooling and heating seasons results in considerable energy savings.

#### Freeze Protection

Micra 60 includes a special thermostat, which prevents condensation from freezing.

#### 5 Control Unit

The unit has integrated protection to safeguard the motor and circuit board against voltage jumps, short circuit or electrical overloads.

### CONTROL AND OPERATION MODES

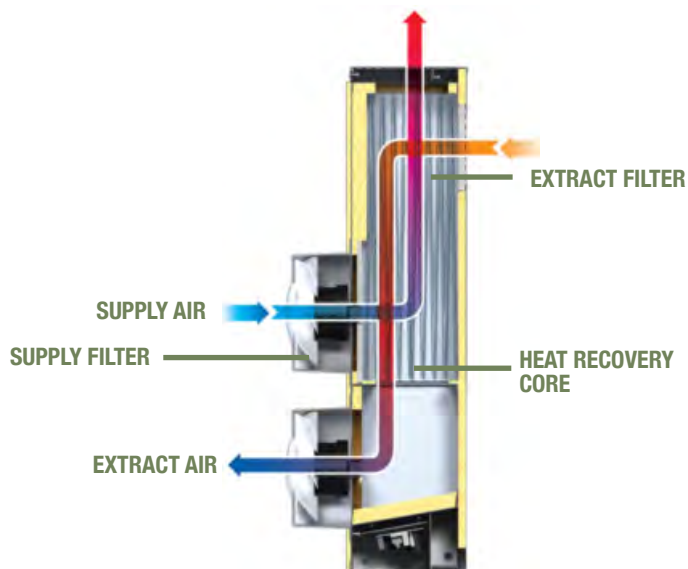


Automatic system enables three operation modes:

1. Supply and exhaust ventilation at minimum air capacity: 17.7 CFM and minimum noise level 0.38 Sones.
2. Supply and exhaust ventilation at medium air capacity: 26.5 CFM and minimum noise level 0.42 Sones.
3. Supply and exhaust ventilation at medium air capacity: 35.3 CFM and minimum noise level 1.0 Sones

# HRV MICRA 60

## Single Room Heat Recovery Ventilator



### HOW MICRA 60 WORKS

Micra 60 exhausts stale air outdoors and draws in fresh air to replace it while the heat transfers from the outgoing air to warm up the incoming air. Warm stale air from the room moves through the filter and core and then is exhausted outside. The intake and extract airflows are fully separated.

### INSTALLATION SAMPLE



Mark the holes for the air ducts with a cardboard master plate.



Drill the holes.



Mount air ducts and metal hood.

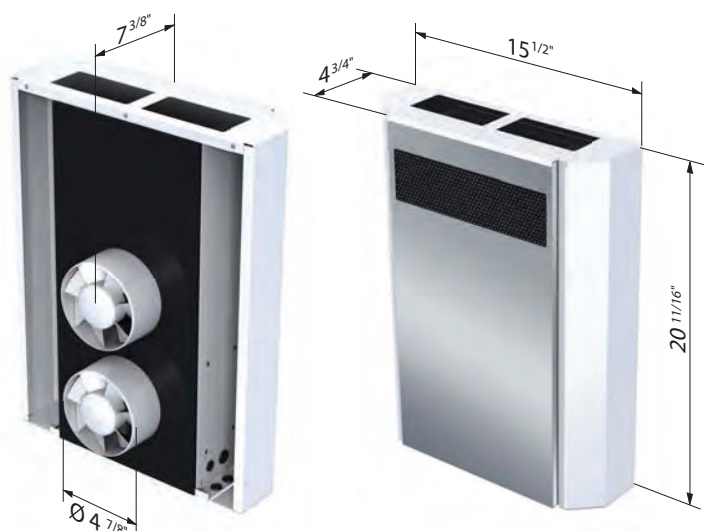


Completing the casing mounting.

### PERFORMANCE SPECIFICATIONS

MODEL	SPEED	VOLTAGE (V)	POWER (W)	CURRENT (A)	AIR CAPACITY (CFM)	ROTATION SPEED (MIN-1)	SENSIBLE RECOVERY EFFICIENCY	SONES	INGRESS PROTECTION RATING
MICRA 60	1	100 - 240 V 50 - 60 Hz	4.2	0.02	17.7	1165	79	0.38	IP 22
	2		9.6	0.04	26.5	1720	74	0.42	
	3		15.4	0.07	35.3	2685	70	1.0	

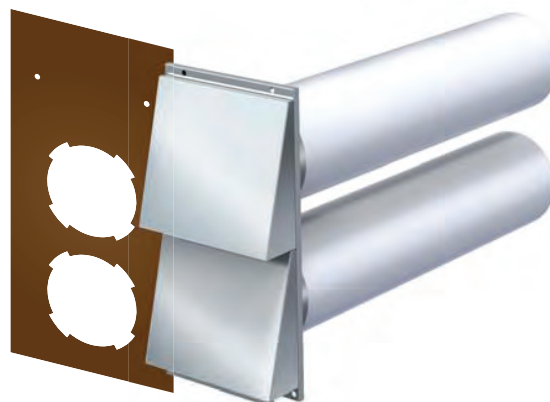
### DIMENSIONS



### INSTALLATION KIT MK2 MICRA 60

#### MK2 Micra 60 mounting kit:

- Two plastic air duct 5" -19 11/16" long
- Cardboard master plate
- Outer ventilation kit NB Micra 60





# HVR MICRA 150

## Single Room Heat Recovery Ventilator



**MICRA 150 is a single-room heat recovery unit. It is designed to provide the ideal single room ventilation of social and commercial premises, flats and cottages. MICRA 150 is the most suitable solution for arrangement of ready made and refurbished premises. It has easy mounting without air ducts.**

### FEATURES

- Efficient supply and exhaust ventilation of separate premises (rooms)
- Polystyrene plate counter-flow core with sensible recovery efficiency 85-88%
- EC fans with low energy demand (8 to 51 W)
- Integrated automation with 3 operation modes
- For rooms up to 900 sq ft
- Silent operation (1-1.8 Sones)
- Air cleaning with two built-in filters
- Easy mounting
- Compact sizes
- 3 Year Warranty

### MICRA 150 DESIGN

#### 1 Casing

Metal polymer coated casing. 3/8" foamed synthetic rubber layer provides heat and sound-insulation. The modern unit design let it match well with any interior type. The front panel is easily opened for the unit servicing (e.g. for filter cleaning or replacement) and fitted with a protecting opening switch that cuts power supply off if the panel is opened. Air is supplied to the unit and exhausted from the premise through two Ø5" air ducts.

#### 2 Air Filtration

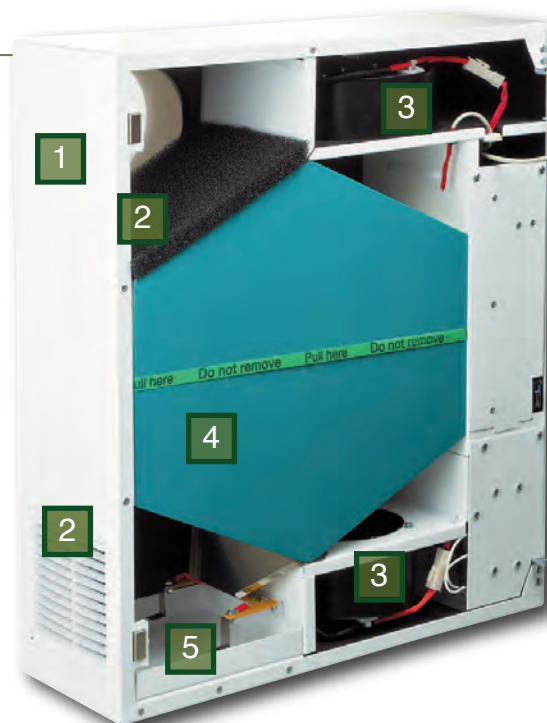
- Supply air flow is cleaned with built-in MERV 7 filter, and exhaust flow is cleaned with built-in MERV 5 filter.
- The filters serve to provide supply of fresh air free of dust and prevent the unit components from soiling.

#### 3 Air Supply & Exhaust

High-efficient EC motors with external rotor and forward curved blades are designed for air supply and exhaust. The fan motors have built-in overheating protection and ball bearings for longer service life. Due to EC technologies Micra 150 is featured with low energy demand and reliable operation

#### 4 Heat Exchanger

The ventilator is equipped with a high-tech plate counter-flow aluminum heat recovery core. Energy recovery efficiency is 79%. Using the MICRA in both cooling and heating seasons results in considerable energy saving.



#### Freeze Protection

The single-room heat recovery unit MICRA 150 is equipped with a built-in freezing protection. During heat recovery in cold season thermal energy of warm extract energy is transferred to cold intake air. The electronic freeze protection is applied to prevent condensate freezing during cold outside temperatures. If exhaust air temperature at outlet of the core drops down below the set point, the supply fan is stopped. Warm extract air heats the core up and the exhaust air temperature at outlet of the core rises. After that the supply fan is turned on and the unit reverts to the previous operation mode.

#### 5 Features Condensate Drain Pan

Some condensate that may be generated during heat recovery process is collected in a special drain pan. As the drain pan is filled with condensate, the unit switches automatically off which is confirmed by indication on the control panel. Remove condensate from the drain pan and restart the unit to continue the unit operation.

### CONTROL AND OPERATION MODES

The unit is equipped with a control panel. The delivery set includes a remote control panel.

**The control system supports the following 3 operation modes:**

- **1 speed** – air capacity 35 CFM
- **2 speed** – air capacity 53 CFM
- **3 speed** – air capacity 71 CFM

**The following functions are available:**

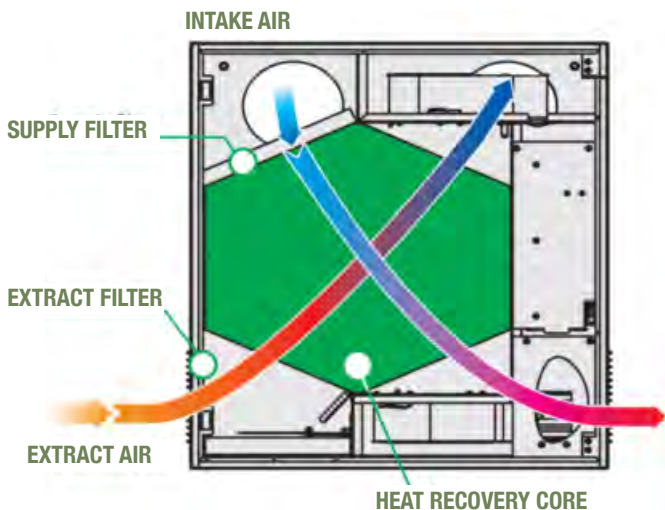
- High speed activation timer adjustable from 20 to 60 minutes
- Week-scheduled operation
- Fan speed adjustment
- Filter replacement and alarm indication





# HVR MICRA 150

## Single Room Heat Recovery Ventilator



### HOW MICRA 150 WORKS / OPERATION

The intake air from outside flows through the filter and the heat recovery core and is supplied to the room with the supply centrifugal fan. Warm stale air from the room flows through the filter and the heat exchanger and is exhausted outside through the wall by the exhaust centrifugal fan. In the heat exchanger heat energy of warm extract air from the room is transferred to clean cold air flow from outside. Heat exchange results in minimization of heat losses and lower heating costs. The extract and supply air flows are fully separated, so no contaminations, odours and microbes come to supply air flow.

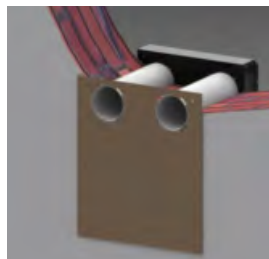
### INSTALLATION SAMPLE



Mark the holes for the air ducts with a cardboard master plate.



Drill the holes.



Mount air ducts and metal hood.

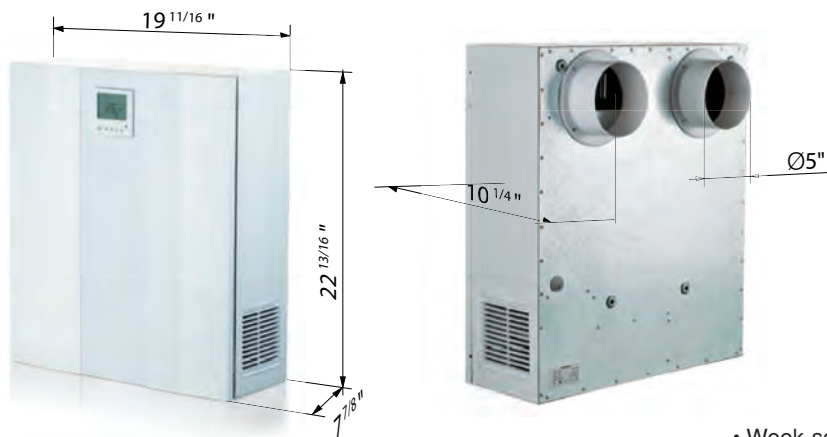


Complete the casing mounting.

### PERFORMANCE SPECIFICATIONS

MODEL	SPEED	VOLTAGE (V)	POWER (W)	MAX CURRENT WITHOUT HEATING (A)	AIR CAPACITY (CFM)	ROTATION SPEED (MIN-1)	SENSIBLE RECOVERY EFFICIENCY (%)	SONES	FILTER EXTRACT/INTAKE	TRANSPORTED AIR TEMP (F)	INGRESS PROTECTION RATING
MICRA 150	1	120 V 60 Hz	8	0.07	35	450	88	1.0	MERV 5/ MERV 7	From -13° F up to 122° F	IP 22
	2		27		53	780	87	1.3			
	3		51		71	2000	85	1.8			

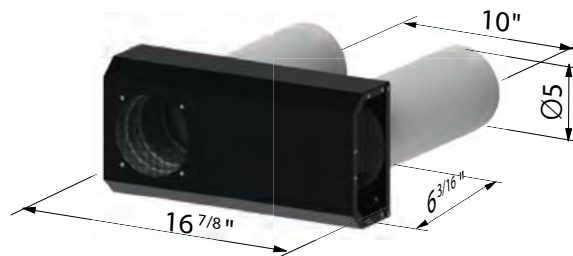
### DIMENSIONS



### MOUNTING KIT MK2 MICRA 150

#### MK2 Micra 150 mounting kit:

- Two plastic air ducts (Ø5" -19 11/16" long)
- double outer metal hood



- Week-scheduled operation
- Filter replacement and alarm indication



# FRIGATE ERV 80-EC

## ENERGY RECOVERY VENTILATION

VENTS' ERV 80 EC is a complete ventilation system designed to bring a continuous supply of fresh air into the house while exhausting an equal amount of stale air. Suitable for bathrooms, kitchens, apartments, cottages, and small offices. 3 year warranty.

### FANS

High efficient electronically commutated motors with external motor and impeller with backward curved blades. EC motors are featured with high performance and total speed controllable range. The electric motors and impellers are dynamically balanced.

### CASING

- Steel casing is covered with high-quality multilayer aluminium and zinc alloy to prevent corrosion.
- The casing is equipped with a switch to turn the ventilator off when the service panel is opened.

### CONTROL BOARD

The unit incorporates an integrated control system with following functions:

- Operation mode switch.
- Airflow balancing enabled by supply and exhaust fan independent speed adjustment from 0 to 100% (percentage is displayed on built in screen).
- Automatic recovery core frost protection.
- External control device connection (up to 5 at the same time).

### AIR FILTRATION

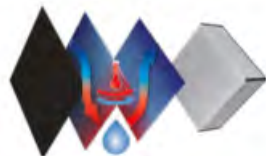
- Washable MERV 6 air filters in exhaust and supply air streams.
- Optional supply: anti grease aluminum filter.

### DEFROST SYSTEM

To protect the Energy Recovery Core, an antifreeze electronic protection system is applied. It switches the supply fan off according to the temperature sensor settings. Warm extract air defrosts the ERV core then the supply fan switches on and the ventilator continues operating under rated conditions.

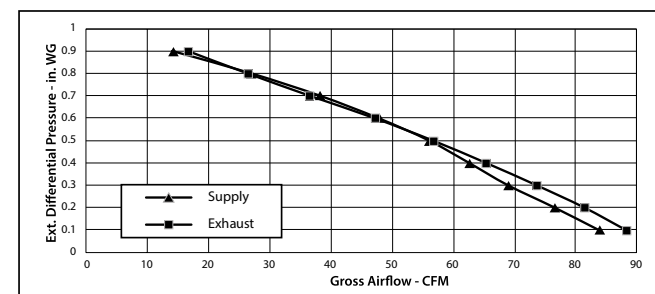
### HEAT RECOVERY CORE

Enthalpic core (ERV 80 EC) provides both heat & humidity recovery. For enthalpic core no drain required.



### PERFORMANCE

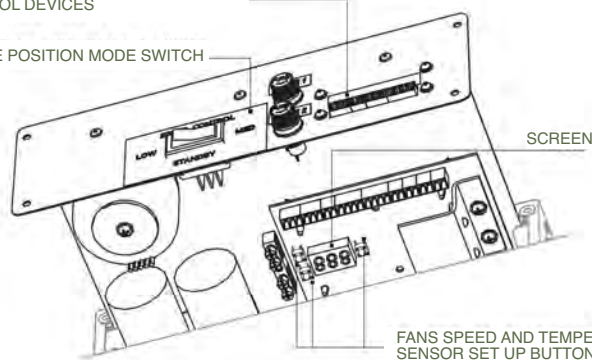
EXTERNAL STATIC PRESSURE	NET SUPPLY AIR FLOW		GROSS AIR FLOW				POWER (Watts)	
			SUPPLY		EXHAUST			
Pa	in. W.C.	L/s	CFM	L/s	CFM	L/s	CFM	
25	0.1	38	81	40	84	42	88	61
50	0.2	35	74	36	76	38	81	61
75	0.3	32	67	33	69	35	74	61
100	0.4	29	61	30	63	31	65	60
125	0.5	26	54	26	56	27	57	61
150	0.6	22	46	23	48	22	47	60
175	0.7	17	37	18	38	17	36	58
200	0.8	12	26	13	27	12	26	59
225	0.9	8	16	7	14	8	17	55



**SOUND** - 1.4 Sones (30L/s @ 50 Pa)

TERMINALS TO CONNECT EXTERNAL CONTROL DEVICES

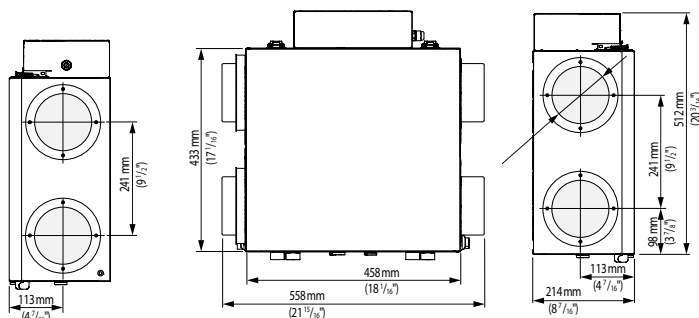
THREE POSITION MODE SWITCH



FANS SPEED AND TEMPERATURE SENSOR SET UP BUTTONS

MODE	SUPPLY TEMPERATURE		NET AIR FLOW		AVERAGE POWER (Watts)	SENSIBLE RECOVERY EFFICIENCY SRE (%)	APPARENT SENSIBLE EFFECTIVENESS ASEF (%)	NET MOISTURE TRANSFER
	°C	°F	L/s	CFM				
HEATING	0	32	20	42	25	73	82	0.46
	0	32	25	53	38	69	79	0.47
	0	32	30	63	49	68	78	0.45
COOLING	35	95	20	42	25	54.5	72	0.49

### DIMENSIONS





ERV 120S MODELS ONLY

# FRIGATE HRV 60S/120S & ERV 120S

## Heat Recovery Ventilator, Energy Recovery Ventilator

Both Heat and Energy Recovery Ventilators are the complete whole house ventilation system designed to bring a continuous supply of fresh air into the house while exhausting an equal amount of stale air.

### FEATURES

- Effective energy-saving solution
- Multizonal efficient recovery ventilation
- Cross flow core with SRE greater than 62%
- Heat recovery (HRV) or Energy Recovery (ERV)
- Low profile
- Silent operation
- Replaceable filters
- Ceiling installation
- Simple installation and maintenance
- 3 Year Warranty

### CASING

Steel casing is covered with high-quality multilayer aluminum and zinc alloy to prevent corrosion. The casing is equipped with a switch to turn the ventilator off when the service panel is opened.

### FILTER

- Washable MERV 6 air filters in exhaust and supply air streams.
- Optional supply: anti grease aluminum filter.

### HEAT RECOVERY CORE

The aluminum cross-flow core (HRV 60s/120s) ensures efficient heat recovery and the enthalpic core (ERV 60s/120s) provides both heat & energy recovery.

### DEFROST SYSTEM

To protect the heat recovery core, the freezing electronic protection system is applied. It switches the supply fan off as the temperature sensor requires. Warm extract air defrosts the heat recovery core, then the supply fan switches on and the ventilator continues operating under rated conditions

### MOUNTING

- The unit is mounted suspended to the ceiling with special belts.
- Please refer to installation manual for instructions and details.

### AIRFLOW DIAGRAM

### MOTORS

German made high-efficient motor combined with backward inclined impeller delivers exceptionally powerful airflow and high static pressure. Built-in thermal overheating protection with automatic restart makes the motor operation secure and reliable. Permanently lubricated ball bearings inside the motor provide long (40000 hours) trouble- and maintenance-free operation.

### FANS

- The unit is equipped with supply and exhaust centrifugal fans with backward curved blades and build-in thermal overheating protection with automatic restart.
- The electric motors and the impellers are dynamically balanced in two planes

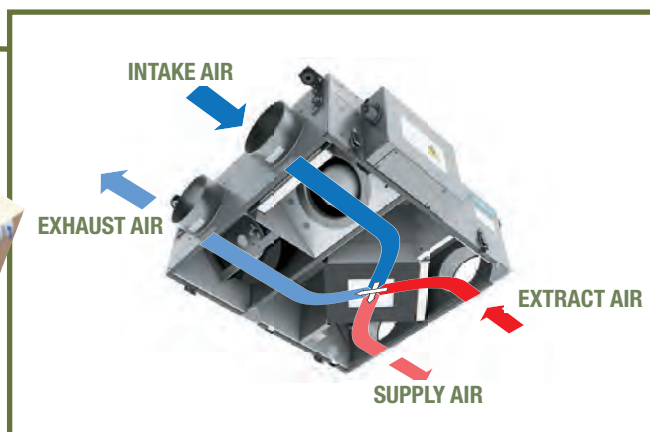
### CONTROL

Each unit is equipped with three-key speed switch to select LOW speed, MED speed or STANDBY mode for 24 hours operation. HIGH speed can be turned on/off with one of the optional remote controls

### ACCESSORIES

- Air Disk Valve
- Backdraft Damper
- Clamps

For more information on available accessories, see pages J8-J11 in Accessories & Motors section.



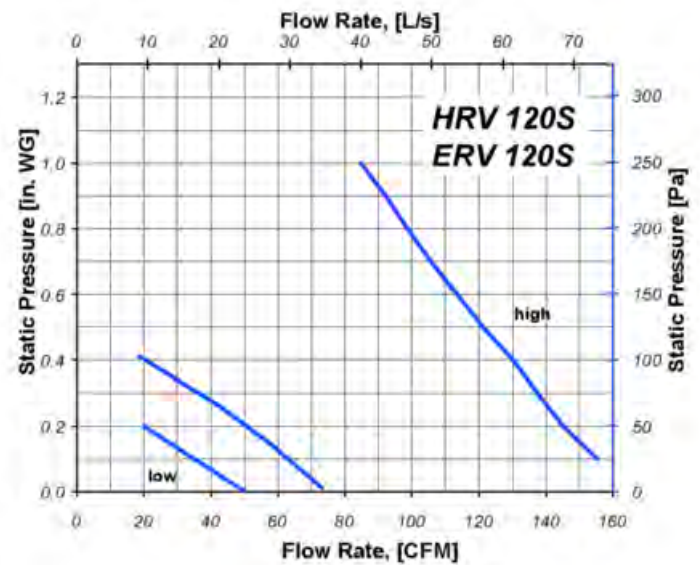
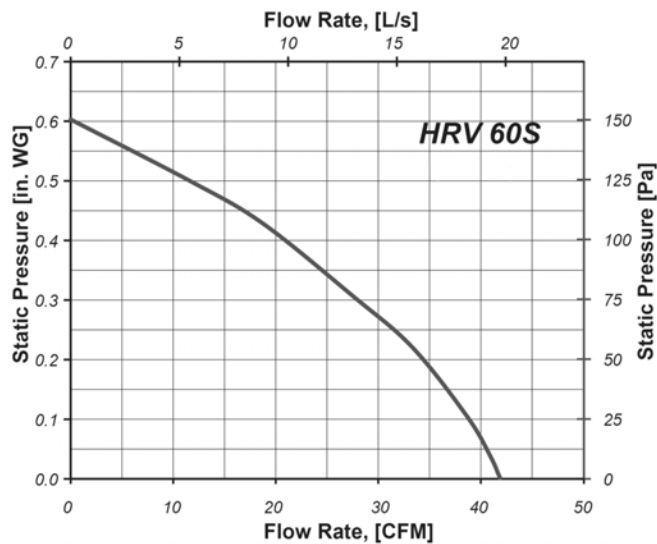
# FRIGATE HRV 60S/120S, ERV 120S

## PERFORMANCE SPECIFICATIONS

MODEL	VOLTS	MAX WATTS	MAX AMPS	EAT @ 100 Pa (%)	EAT @ 50 Pa (%)	HEAT RECOVERY CORE EFFICIENCY (%)	DUCT DIA.	AIRFLOW CFM (L/s)									
								0.1" (25 Pa)	0.2" (50 Pa)	0.3" (75 Pa)	0.4" (100 Pa)	0.5" (125 Pa)	0.6" (150 Pa)	0.7" (175 Pa)	0.8" (200 Pa)	0.9" (225 Pa)	1.0" (250 Pa)
HRV 60S	120V, 60Hz	41	0.58	-	-	<80%	5"	39 (18)	35 (17)	29 (14)	21 (10)	12 (10)	-	-	-	-	-
HRV 120S	120V, 60Hz	-	1.5	6.6	5.7	-	5"	155 (73)	146 (69)	138 (65)	130 (61)	122 (58)	114 (54)	106 (50)	98 (46)	90 (42)	82 (39)
ERV 120S																	

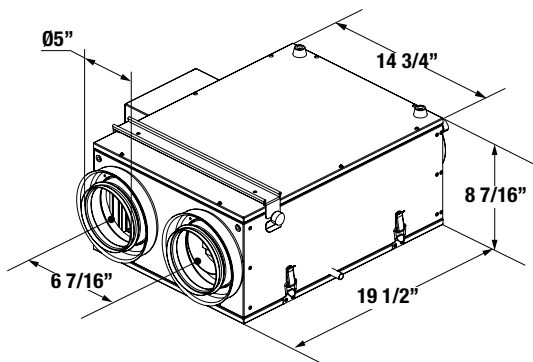
MODEL	MODE	TEMPERATURE		NET AIR FLOW		POWER CONSUMED (WATTS)	SENSIBLE RECOVERY EFFICIENCY SRE (%)	APPARENT RECOVERY EFFICIENCY ASRE (%)	LATENT RECOVERY/MOISTURE TRANSFER
		°C	°F	(L/s)	(CFM)				
HRV 60S	HEATING	0	32	13	28	39	74	-	-
		0	32	18	39	41	71	-	-
		0	32	26	56	42	68	-	-
HRV 120S	HEATING	0	32	30	64	40	62	71	-0.03
		0	32	45	95	62	49	59	-0.03
		0	32	56	118	94	46	54	-0.03
ERV 120S	HEATING	0	32	30	64	40	54	65	0.17
		0	32	45	95	62	49	59	0.12
		0	32	56	118	94	46	55	0.10

## FLOW RATE CURVES

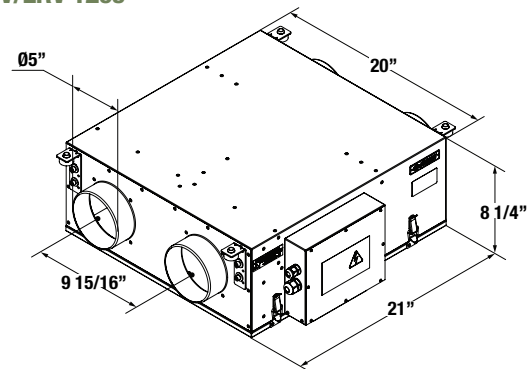


## DIMENSIONS

### HRV/ERV 60s



### HRV/ERV 120s





# BRIG HRV 120/170 & 200/300

## Heat Recovery Ventilator

A Heat Recovery Ventilator is a complete whole house ventilation system designed to bring a continuous supply of fresh air into the house while exhausting an equal amount of stale air.

### FEATURES

- Efficient centralized heat recovery ventilation
- Cross flow core with SRE up to 85%
- Silent operation
- Replaceable filters
- Simple installation and maintenance
- Compatible with 6" and 8" air ducts
- Electronic defrost protection
- 3 year warranty

### CASING

Steel casing is covered with high-quality multilayer aluminum and zinc alloy to prevent corrosion. The casing is equipped with a safety switch to turn the ventilator off when the service panel is opened.

### FILTER

- Washable MERV 6 air filters in exhaust and supply air streams.
- Optional supply: anti grease filter.

### HEAT RECOVERY CORE

Specially designed polymer plate core ensure the top heat recovery efficiency. Whenever heat recovery is not required for unit operation the heat exchanger block can be easily replaced by a "summer" block. The unit is also equipped with the drain pan for condensate.

### DEFROST SYSTEM

To protect the heat recovery core, the electronic freezing protection system is applied. It switches the supply fan off as the temperature sensor requires. Warm extract air defrosts the heat recovery core, then the supply fan switches on and the ventilator continues operating under rated conditions.

### MOUNTING

The unit can be mounted in most positions and in most spaces. Please refer to installation manual for instructions and details.

### MOTORS

German made high-efficient motor combined with backward inclined impeller delivers exceptionally powerful airflow and high static pressure. Built-in thermal overheating protection with automatic restart makes the motor operation secure and reliable. Permanently lubricated ball bearings inside the motor provide long (40000 hours) trouble- and maintenance-free operation.

### FANS

The ventilator is equipped with supply and exhaust centrifugal fans with backward inclined blades and built-in thermal overheating protection with automatic restart. The electric motors and the impellers are dynamically balanced in two planes.

### CONTROL

- The ventilator is equipped with 3-step switch on it's side panel to choose STANDBY, LOW or MEDIUM mode for continuous operation.
- The unit can be equipped with wide range of additional controls to switch boost on demand.

### ACCESSORIES

- Air Disk Valve
- Backdraft Damper
- Clamps

For more information on available accessories, see pages J8-J11 in Accessories & Motors section.

#### HRV120/170/200



#### HRV300



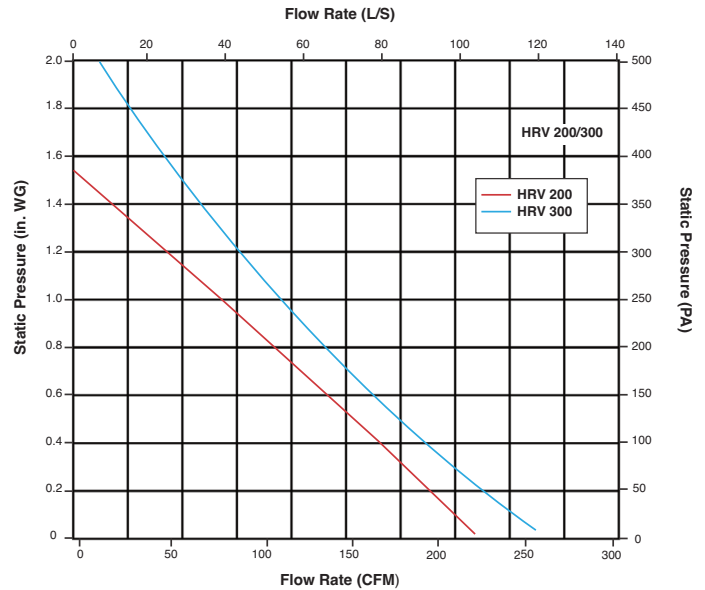
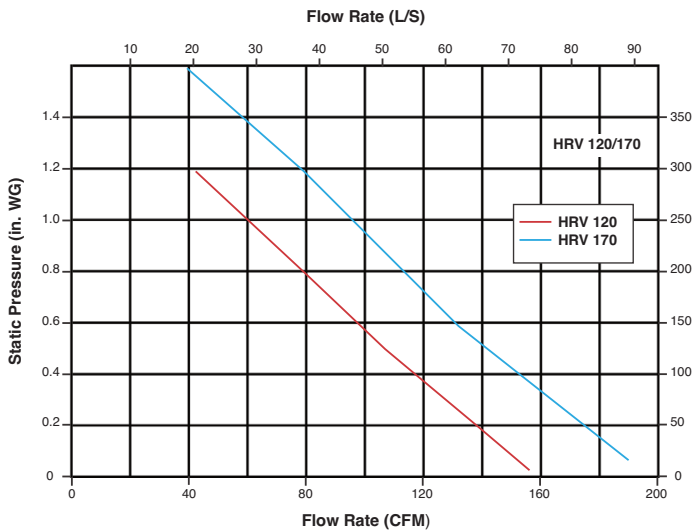
# BRIG HRV 120/170 & 200/300

## PERFORMANCE SPECIFICATIONS

MODEL	VOLTS	MAX WATTS	MAX AMPS	RPM	DUCT DIA.	NET SUPPLY AIRFLOW CFM (L/s)											
						EXT. STATIC PRESSURE IN. WG (Pa)											
						0.1" (25 Pa)	0.2" (50 Pa)	0.3" (75 Pa)	0.4" (100 Pa)	0.5" (125 Pa)	0.6" (150 Pa)	0.7" (175 Pa)	0.8" (200 Pa)	0.9" (225 Pa)	1.0" (250 Pa)	1.2" (300 Pa)	1.4" (350 Pa)
HRV 120	120V, 60Hz	147	1.25	2590	6"	151 (71)	141 (67)	130 (61)	121 (57)	111 (52)	102 (48)	92 (43)	81 (38)	70 (33)	59 (28)	-	-
HRV 170	120V, 60Hz	214	1.85	3040	6"	188 (89)	180 (85)	171 (81)	162 (77)	152 (72)	142 (67)	131 (62)	119 (56)	109 (51)	99 (47)	79 (37)	53 (25)
HRV 200	120V, 60Hz	224	1.8	3040	6"	213 (101)	200 (94)	187 (88)	173 (82)	159 (75)	145 (68)	30 (61)	117 (55)	101 (48)	87 (41)	71 (34)	56 (26)
HRV 300	120V, 60Hz	465	3.8	2500	8"	257 (121)	239 (113)	223 (105)	207 (98)	190 (90)	175 (83)	162 (76)	151 (71)	139 (66)	129 (61)	118 (56)	107 (50)

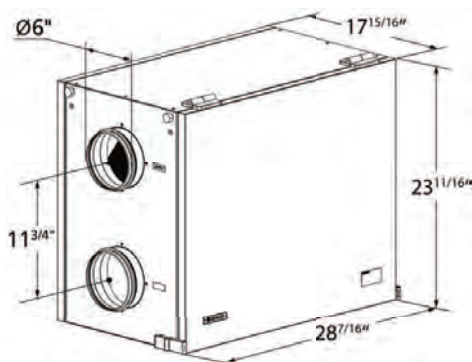
MODEL	MODE	TEMPERATURE		NET AIR FLOW		POWER CONSUMED	SENSIBLE RECOVERY EFFICIENCY
		°C	°F	(L/s)	(CFM)	(WATTS)	SRE (%)
HRV 120	HEATING	0	32	30	56	140	81
		0	32	38	80	143	77
		0	32	75	160	146	61
HRV 170	HEATING	0	32	29	62	206	81
		0	32	42	89	210	77
		0	32	84	178	211	65
HRV 200	HEATING	0	32	30	64	208	85
		0	32	45	95	210	83
		0	32	60	127	212	81
HRV 300	HEATING	0	32	30	64	444	80
		0	32	45	95	446	78
		0	32	60	127	447	77

## FLOW RATE CURVES

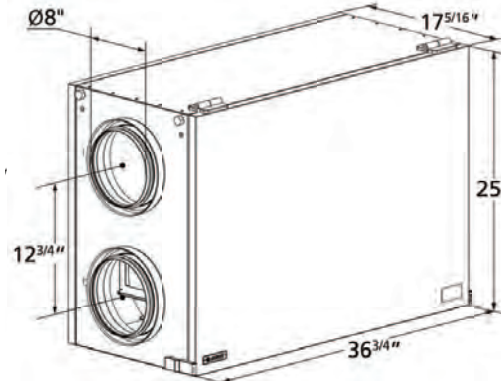


## DIMENSIONS

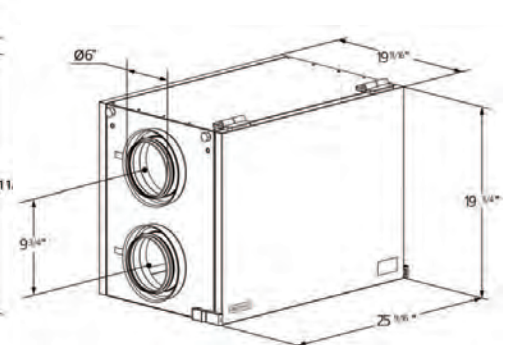
HRV200



HRV300



HRV120/170





# BL SERIES

## Heat Recovery Unit with Rotary Heat Exchanger

Heat recovery ventilator with rotary aluminum plate heat exchanger for 300 to 6000 CFM. Complete with high efficiency EC external rotor motors and Carel plug and play control. Designed for light commercial applications with indoor and outdoor mounting options.



### CASING

Double skin; frameless, 1 9/16 inch; mineral wool 5.62 lb/ft<sup>3</sup>; non-flammable; Outer/Inner skin: zinc-aluminum, EN1886 class: D1, T2, TB2; corrosion resistant according to ISO 12944: class C4.

### CONTROLS

Integrated plug and play Carel control unit is supplied ready for operation for all necessary control elements.

### SPECIFICATIONS

### FEATURES

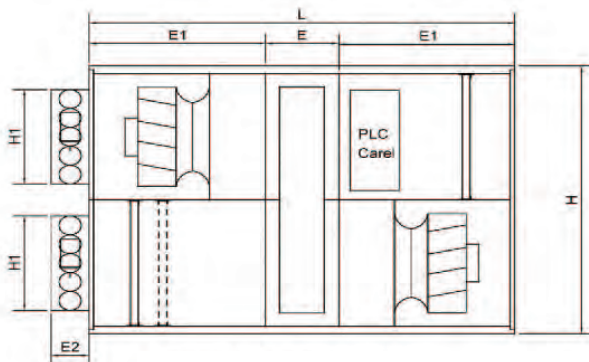
- High efficiency rotor aluminum plate heat exchanger up to 87% thermal efficiency
- High efficiency EC fans with backward-curved wheels and external rotor motors
- Motors IP54 with F insulation class
- Integrated Belimo controlled dampers
- Automatic full size bypass
- Insulated double skin frameless casing
- Exhaust and supply panel filters MERV8 standard with optional MERV13 and MERV15
- Hinged service doors - on right side (standard) with left side optional
- Removable drain pans on both supply and exhaust
- Optional outdoor installation mounting kit
- Web-interface, MODBUS, outputs for optional DX or Hydronic cooling/heating.

Model	Nominal Airflow (CFM)	Efficiency @Nominal	Minimum Airflow (CFM)	Recommended Airflow (CFM)	Maximum Airflow (CFM)	EC Motors					Sound Pressure Level @ 1M away dB(A)
						Voltage/Phase/Hz	HP/Amps	RPM	Perm. ambient air temp. (°F)	Motor sound power level to outlet dB(A)	
BL02-1500	880	83%	300	1237	1412	120V/1/60Hz	2 x .75HP/3A	2400	-13 to +104	74	41
BL02-2500	1470	76%	300	1780	2003		2x1HP/3.75A	2300		75	43
BL03-3500	2060	81%	600	2356	2945	230V/3/60Hz	2x2HP/1.8A	2000	-40 to +140	76	44
BL07-5000	2940	79%	600	3240	4653		2x2HP/2.1A	1200	-40 to +122	71	39
BL07-6000	3530	75%	600	4064	5885		2x5HP/4A	1300		77	46

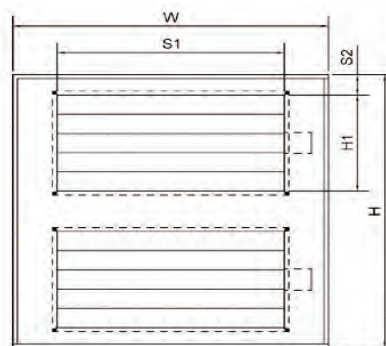
### DIMENSIONS

MODEL	DIMENSIONS								
	L	W	H	H1	S1	S2	E	E1	E2
BL02-1500	51 3/16"	37 13/16"	37 13/16"	13 3/4"	23 5/8"	2 1/4"	11 7/16"	19 7/8"	6 11/16"
BL02-2500	51 3/16"	37 13/16"	37 13/16"	13 3/4"	23 5/8"	2 1/4"	11 7/16"	19 7/8"	6 11/16"
BL03-3500	51 1/4"	50 3/4"	49 1/2"	13 3/4"	23 3/4"	8"	11 1/2"	20"	6 3/4"
BL07-5000	75 3/16"	54 3/4"	55 3/4"	19 11/16"	36 3/8"	4 1/8"	13"	31 1/8"	6 11/16"
BL07-6000	75 3/16"	54 3/4"	54 3/4"	19 11/16"	36 3/8"	4 1/8"	13"	31 1/8"	6 11/16"

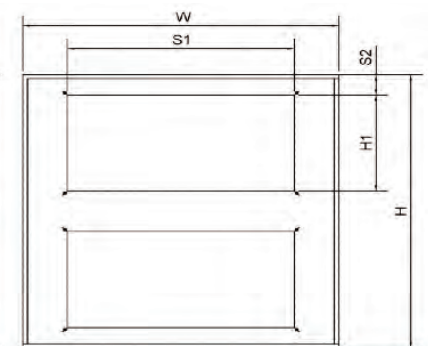
SERVICE SIDE PANEL VIEW



DAMPER SIDE VIEW



END VIEW



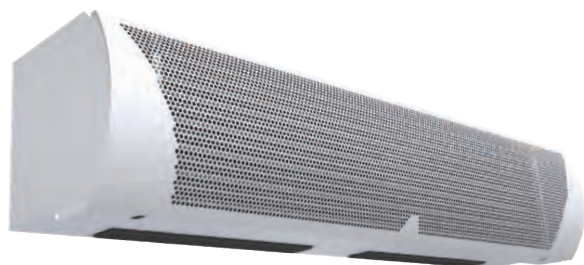
### ACCESSORIES

Silencers, VAV, CAV, flexible duct connectors, filter pressure switch, DX coil, cooling or heating coil, grills, base feet for floor mount, roof mount, weather hood.

# AIR CURTAINS

## Heated and Unheated Air Barriers

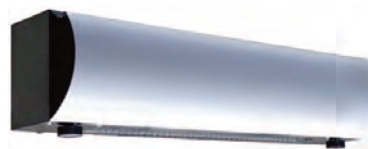
*For many applications from small Drive-thru Windows to Storefront Entrances and Warehouse Bay Doors*



AC400 - WALL MOUNT MODEL



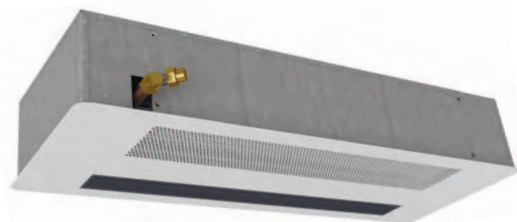
AC1001 - FLOOR MOUNT MODEL



AC100 - DRIVE-THRU MODEL



CONTROL PANEL



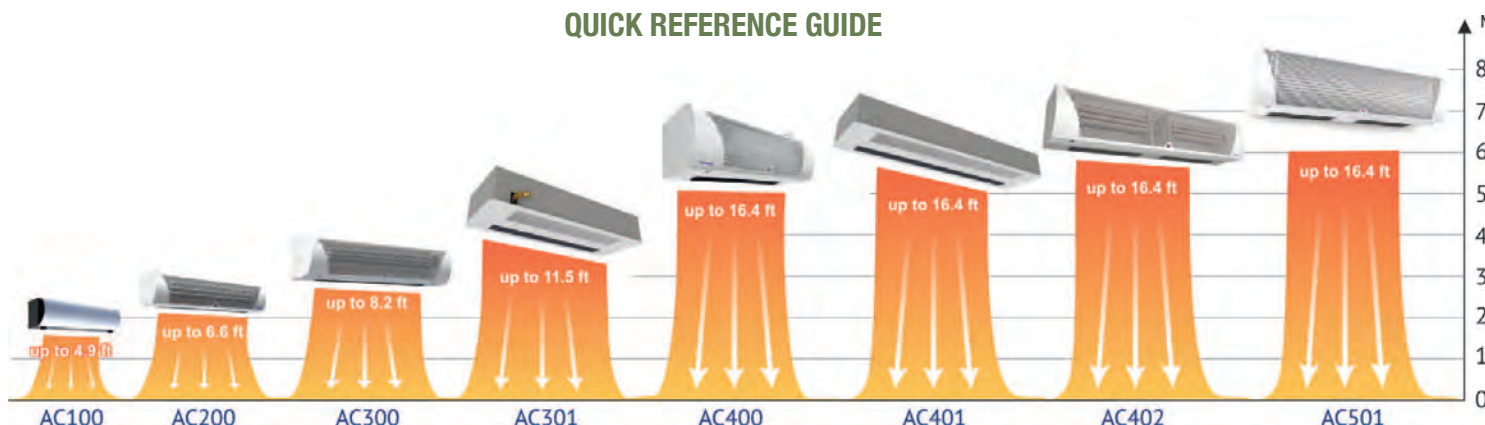
AC301 - RECESSED MODEL



## FEATURES

- Creates a barrier by blocking the entry of outside air into a building, or escaping air from the interior of the premises
- Heated (electric or water) and unheated models available
- Available in 31", 39", 59" and 79" long (can be used in tandem to cover any opening width)
- Covers opening heights up to 19ft
- All (non-decorative) units can be installed horizontally or vertically
- Surface mount, recessed and floor mount models available
- Minimizes the use of existing HVAC equipment to make up for heat losses or gains
- Will increase the efficiency of existing vestibules, or may replace the need for building one
- Improves employee efficiency by not having to stop to open and close doors
- Maintains comfortable ambient temperatures around entrances and doorways for both customer and employees
- Allows for open doors, to increase customer traffic in retail environments
- Dry off floors in entrance ways for safety
- Includes control panel with 3 speed control, thermostat and 2 heat settings (excluding AC100 - has built in controls)
- Steel casing coated with high quality durable polymer coatings
- Fans – cross flow impellers and axial fans
- Motors – external rotor for superior cooling and heat dissipation, less vibration, motor and bearings sealed, higher efficiency and longer operating life
- Thermal protection – motors built-in, heating elements thermal relay protected
- Electric heating elements - straight stainless steel elements with stainless steel fins
- Water heated units – copper tubing with aluminum fins for efficient heat transfer. Rated for up to 70lbs psi. Equipped with drains to reduce risk of freezing.
- Air curtain circuits are breaker protected
- Decorative models available in polished or matte stainless steel.

## QUICK REFERENCE GUIDE





PERFORMANCE SPECIFICATIONS

ERV/HRV

ELECTRIC HEATED MODELS													
MODEL	HEAT OUTPUT (kW)	AIR VOLUME (cfm)	MAX DOOR HEIGHT (ft)	TEMP. RISE (°F)	MOTOR INPUT		MAX UNIT CURRENT 208V (A)	MAX MOTOR CURRENT (A)	MAX HEATING ELEMENT CURRENT (A)		SOUND LEVEL (dB)*	WEIGHT (LBS)	DIMENSIONS (L x W x H) inches
					hp	W			480V	600V			
AC100-31E5	4.5	295	7.2	82.4	0.07	48	22.9	-	-	-	45	23	30.9 x 7.5 x 8.9
AC200-39E5	5.4	883	8.2	50.9	0.14	100	16.1	0.5	6.9	5.6	52	33.1	41 x 9 x 9
AC300-39E8	8	1030	11.5	57.2	0.29	210	24.4	1	10.1	8.1	54	42	42 x 12.8 x 10.4
AC300-59E13	13.4	1590	11.5	59	0.57	420	41.1	2	16.4	13.1	54	65	61.4 x 12.8 x 10.4
AC300-79E16	16.1	2091	11.5	57.2	0.57	420	48.9	2	20.2	16.2	57	79.5	79.3 x 12.3 x 10.7
AC301-39E8	8	1030	11.5	57.2	0.31	230	24.4	1	10.1	8.1	54	66.2	41.6 x 20.6 x 9.3
AC301-59E13	13	1590	11.5	57.2	0.62	460	41	2	16.4	13.1	55	94.9	65.8 x 20.6 x 9.3
AC301-79E16	16	2089	11.5	56.3	0.62	460	49	2	20.2	16.2	57	113.7	83.1 x 20.6 x 9.3
AC400-39E8	8	1590	16.4	46.5	0.54	400	25.5	2.1	10.1	8.1	60	56.2	43.7 x 13.8 x 13.4
AC400-59E16	16	2356	16.4	53.6	1.22	900	51.2	4.3	20.2	16.2	65	89.4	62 x 13.8 x 13.4
AC400-79E16	16.1	3534	16.4	48.2	1.22	900	50.7	3.8	20.2	16.2	66	101.5	82.3 x 13.8 x 13.4
AC401-39E16	16	1589	16.4	63.5	0.6	450	48.9	2	20.2	16.2	63	90.4	49.1 x 25 x 11.8
AC401-59E21	21	2354	16.4	59.9	1.21	900	35.4 + 31.4	4	27.8	22.3	65	132.2	61.7 x 25 x 11.8
AC401-79E32	21	3531	16.4	50.9	1.21	900	35.4 + 31.4	4	27.8	22.3	66	157.6	87.5 x 25 x 11.8
AC402-39E16	16	1942	18	58.1	0.6	450	49	2	20.2	16.2	64	63.9	44.4 x 14.7 x 16.7
AC402-59E21	21	3355	18	51.8	1.2	900	66.5	4	27.8	22.3	66	103.6	71.2 x 14.7 x 16.7
AC402-79E32	32	3826	18	51.8	1.2	900	98	4	40.4	32.2	67	114.6	83.2 x 14.7 x 16.7
AC501-59E32	32	4473	19.7	54.5	2.14	1600	102	8	40.4	32.2	69	162	63.8 x 19.7 x 18.9
AC501-79E32	32	6474	19.7	47.3	2.14	1600	102	8	40.4	32.2	69	181	83.4 x 18.9 x 19.7
AC1000-39E16	16.1	1707	11.5	60.8	0.61	450	49.1	2.2	20.2	16.2	60	99	43.5 x 35 x 15.6
AC1000-79E21	21.5	3415	11.5	51.8	1.22	900	66.8	4.3	27.8	22.3	63	161	82.9 x 35 x 15.6
AC1001-79E16	16.1	2000	7	57.2	0.46	340	48.5	1.6	20.2	16.2	54	161.2	18.1(w) x 79.2(h)

WATER HEATED MODELS (208V 1PH 60Hz)													
AC300-39W12	11.5	972	11.5	75.2	0.29	210	-	1.1	-	-	52	42	42 x 12.8 x 10.4
AC300-59W20	19.8	1472	11.5	78.8	0.57	420	-	2.2	-	-	53	66.2	61.4 x 12.8 x 10.4
AC300-79W28	27.4	1943	11.5	80.6	0.57	420	-	2.2	-	-	56	79.5	79.3 x 12.3 x 10.7
AC301-39W13	11.5	971	11.5	75.2	0.278	200	-	1	-	-	53	76.2	46.1 x 21.9 x 9.3
AC301-59W20	20	1472	11.5	78.8	0.54	400	-	2	-	-	54	98.1	65.8 x 21.9 x 8.9
AC301-79W28	27.4	1942	11.5	80.6	0.536	400	-	2	-	-	55	111.3	83.1 x 21.9 x 9.3
AC400-39W20	20	1531	16.4	98.6	0.61	450	-	2.2	-	-	64	68.5	43.7 x 13.8 x 13.4
AC400-59W32	32	2002	16.4	78.8	0.87	640	-	3	-	-	64	91.6	62 x 13.8 x 13.4
AC400-79W47	47.4	3062	16.4	80.6	1.22	690	-	3.8	-	-	65	117	82.3 x 13.8 x 13.4
AC401-39W20	20	1530	16.4	98.6	0.6	450	-	2.2	-	-	63	92.6	49.1 x 25.6 x 11.8
AC401-59W32	32	2001	16.4	78.8	1.2	900	-	4	-	-	65	130	67.1 x 25.6 x 11.8
AC401-79W47	47.4	3060	16.4	80.6	1.2	900	-	4.2	-	-	66	160.9	87.5 x 25.6 x 11.8
AC402-39W22	23	1942	18	68.9	0.6	450	-	2.2	-	-	64	65	44.4 x 14.7 x 16.7
AC402-59W42	42.3	3060	18	75	1.2	900	-	4.2	-	-	66	101	71.2 x 14.7 x 16.7
AC402-79W51	54.9	3826	18	76.8	1.2	900	-	4.2	-	-	67	118	83.2 x 14.7 x 16.7
AC501-59W69	72	3885	19.7	90	2.14	1600	-	8	-	-	68	172	63.8 x 19.4 x 19.7
AC501-79W100	106	5709	19.7	90.7	2.14	1600	-	8	-	-	68	203	83.4 x 19.5 x 19.7
AC1000-39W20	20.5	1590	11.5	71.6	0.61	450	-	4	-	-	57	99	43.5 x 35 x 15.6
AC1000-79W50	50.4	3230	11.5	87.8	1.22	900	-	8	-	-	60	161	82.9 x 35 x 15.6
AC1001-79W24	24	1770	7	86	0.49	360	-	1.7	-	-	54	143.5	18.1(w) x 79.2(h)

AMBIENT HEATED MODELS (208V 1PH 60Hz)													
AC300-39A	-	1030	11.5	-	0.29	210	-	1.1	-	-	52	26.5	42 x 12.8 x 10.4
AC300-59A	-	1590	11.5	-	0.57	420	-	2.2	-	-	53	55	61.4 x 12.8 x 10.4
AC300-79A	-	2091	11.5	-	0.57	420	-	2.2	-	-	56	66.2	79.3 x 12.3 x 10.7
AC301-39A	-	1030	11.5	-	0.29	220	-	1.1	-	-	54	59.5	46.1 x 20.6 x 9.3
AC301-59A	-	1589	11.5	-	0.59	440	-	2	-	-	55	86	65.8 x 20.6 x 9.3
AC301-79A	-	2089	11.5	-	0.59	440	-	2.1	-	-	57	100	83.1 x 20.6 x 9.3
AC400-39A	-	1531	16.4	-	0.61	450	-	2.2	-	-	64	61.8	43.7 x 13.8 x 13.4
AC400-59A	-	2002	16.4	-	0.87	640	-	3	-	-	64	78.3	62 x 13.8 x 13.4
AC400-79A	-	3062	16.4	-	1.22	690	-	3.5	-	-	65	101.5	82.3 x 13.8 x 13.4
AC401-39A	-	1530	16.4	-	0.29	210	-	2.2	-	-	63	82.7	49.1 x 25 x 11.8
AC401-59A	-	2001	16.4	-	0.57	420	-	4	-	-	65	120.2	67.1 x 25 x 11.8
AC401-79A	-	3061	16.4	-	0.57	420	-	4.2	-	-	66	144.4	87.5 x 25 x 11.8
AC402-39A	-	1942	18	-	0.6	450	-	2.2	-	-	64	55.1	44.4 x 14.7 x 16.7
AC402-59A	-	3532	18	-	1.2	900	-	4.2	-	-	66	87.1	71.2 x 14.7 x 16.7
AC402-79A	-	3826	18	-	1.2	900	-	4.2	-	-	67	100.3	83.2 x 14.7 x 16.7
AC501-59A	-	4591	19.7	-	2.14	1600	-	8	-	-	69	149	63.8 x 18.9 x 19.7
AC501-79A	-	6592	19.7	-	2.14	1600	-	8	-	-	69	172	83.4 x 18.9 x 19.7

\* Sound Level is at 16.4ft distance

WATER HEATED THERMAL CHARACTERISTICS (at 59°F ambient room temp. and maximum airflow)									
MODEL	WATER TEMP. AT INLET/OUTLET (°F)	203/158	176/140	140/104	MODEL	WATER TEMP. AT INLET/OUTLET (°F)	203/158	176/140	140/104
AC300-39W12	203/158	11.5	9.2	3.1	AC401-59W32	203/158	32	25.8	13.2
		75.2	66.2	42.8			78.8	69.8	51.8
		123.64	114.13	38.04			332.89	332.89	171.2
AC300-59W20	203/158	19.8	16	8	AC401-79W47	203/158	47.4	38.3	21.4
		78.8	71.6	68			80.6	71.6	53.6
		188.74	199.74	104.62			494.58	494.58	275.83
AC300-79W28	203/158	27.4	22.1	12.2	AC402-39W22	203/158	23	18.3	5.2
		80.6	73.4	55.4			68.9	61.3	40.3
		285.34	285.34	152.18			238	238	67
AC301-39W13	203/158	11.5	9.2	3.1	AC402-59W42	203/158	42.3	34.1	18.4
		75.2	66.2	42.8			75	67	51
		123.65	114.13	38.04			437.5	437.5	237.78
AC301-59W20	203/158	19.8	16	8	AC402-79W51	203/158	54.9	44.3	24.8
		78.8	71.6	68			76.8	68.2	52.1
		188.74	199.74	104.62			570.7	570.7	313.9
AC301-79W28	203/158	27.4	22.1	12.2	AC501-59W69	203/158	72.2	59	31.3
		81.3	73.4	55.4			89.9	78.6	57.2
		285.34	285.34	152.18			751.4	751.4	399.5
AC400-39W20	203/158	19.4	15.4	4.9	AC501-79W100	203/158	107.6	86.8	49.5
		98.6	91.4	69.8			90.7	79.5	59
		200	200	57			1112.8	1122.3	637.3
AC400-59W32	203/158	32	25.8	13.2	AC1000-39W20	203/158	20.5	16.3	5
		78.8	69.8	51.8			71.6	64.4	41
		332.89	332.89	171.2			209.2	209.2	62.8
AC400-79W47	203/158	47.4	38.3	21.4	AC1000-79W50	203/158	50.4	40.6	22.4
		80.6	71.6	53.6			87.8	77	57.2
		494.58	494.58	275.83			504.1	513.61	285.34
AC401-39W20	203/158	19.4	15.4	4.9	AC1001-79W24	203/158	24	19.4	11
		98.6	91.4	63.8			54	43.2	25.2
		200	200	57			237.78	247.29	133.16



# ROOF MOUNT VENTILATION

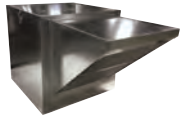
**C** UL762 Listed Products & Requirements



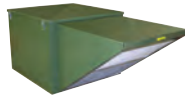
**C1 HTE SERIES**  
Hurricane Turbine  
Exhausters



**C3 SIG SERIES**  
Side Intake Filtered  
Fresh Air Supply Units



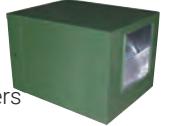
**C4 SIS SERIES**  
Side Intake Filtered  
Fresh Air Supply Units



**C5 700 SERIES**  
Filtered Fresh Air  
Supply Unit



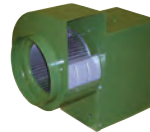
**C6 9200 & 9200-VIB  
SERIES**  
Single & Twin Forward  
Curved Inline Duct  
Blowers



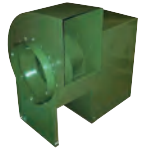
**C8 300 SERIES**  
Forward Curved Roof  
Exhauster



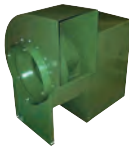
**C9 600 SERIES**  
FC Exhauster Belt  
Drive Utility Blower



**C10 BI SERIES**  
Belt Drive Utility  
Blowers



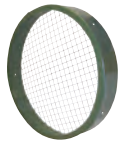
**C11 BI-RM/HS SERIES**  
Belt Drive Utility  
Blowers



**C13 HRE SERIES**  
Horizontal Restaurant  
Exhausters



**C14** Options & Accessories



**C15 ALX UD/EC SERIES**  
Upblast Direct Drive  
Spun Aluminum  
Exhausters



**C17 ALX UB SERIES**  
Upblast Belt Drive Spun  
Aluminum Exhausters



**C19 ALX DD/EC SERIES**  
Downblast Direct Drive  
Spun Aluminum  
Exhausters



**C21 ALX DB SERIES**  
Downblast Belt Drive  
Spun Aluminum  
Exhausters



**C23 RTA-SH SERIES**  
Smoke & Heat Removal  
Belt Drive Roof  
Exhausters



**C24 RTA SERIES**  
Belt Drive Roof  
Exhausters



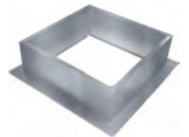
**C25 RD SERIES**  
Direct Drive Roof  
Exhausters



**C26 RB SERIES**  
Belt Drive Roof  
Exhausters



**C27** Roof Curbs





# POWER VENTILATOR FOR RESTAURANT EXHAUST APPLIANCES

(Kitchen Exhaust)



## WHAT IS UL705 SUPPLEMENT SC - POWER VENTILATOR FOR RESTAURANT EXHAUST APPLIANCES?

Power ventilators for restaurant exhaust appliances covered by these requirements are intended for installation in accordance with the Standard of the National Fire Protection Association for the Installation of Equipment for the Removal of Smoke and Grease-Laden Vapors from Commercial Cooking Equipment, NFPA 96.

Power ventilators for restaurant appliances shall comply with the Standard for Power Ventilators, UL 705 - Power Ventilator for Restaurant Exhaust Appliances, modified in that wiring system shall not be located in the path of travel of exhaust products.

### REQUIREMENTS

REQUIREMENT	ALX SERIES***		BI-RM		HRE	
	STANDARD	ACCESSORY	STANDARD	ACCESSORY	STANDARD	ACCESSORY
Designed for removal of smoke and/or grease laden air	●		●		●	
Air temperatures up to 300°F	●		●		●	
Access for cleanout	●		●		●	
Grease drain	●		●		●	
Grease collection box		●		●		●
Minimum 500 FPM airflow in duct**	●		●		●	
Vented roof curb extending discharge minimum 40" above roofline		●	N/A*			●
Curb hinge		●	N/A			●

\* must be mounted to extend outlet minimum 40" above roofline

\*\* based on standard Canarm configurations with Motors and Drives, LMLD models must refer to Delair for minimum rPM to reach 500 FPM

### UL705 - POWER VENTILATOR FOR RESTAURANT EXHAUST APPLIANCES LISTED PRODUCTS



**ALX SERIES** (upblast models only)



**BI-RM SERIES**

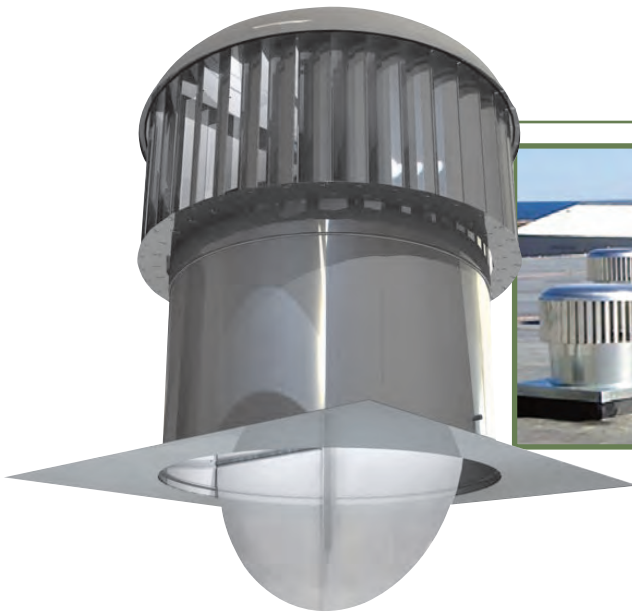


**HRE SERIES**

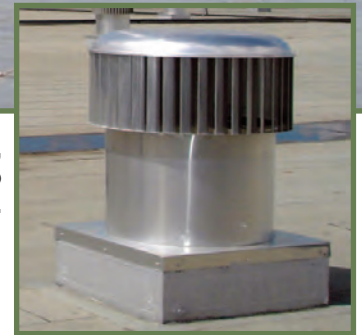


# HTE SERIES

## Hurricane Turbine Exhausters



Ideal for factories, warehouses, garages, and stand alone buildings with no available electricity.



**WITHSTANDS WINDS OF 240KM/H**

### GENERAL INFORMATION

The Hurricane™ is a wind-driven roof exhaust fan. Providing natural ventilation - which has proven to be effective while keeping operating costs down - it is an excellent alternative to traditional industrial ventilators that perform poorly and consume energy.

The wind driven Hurricane™ exhausts hot, stale air from buildings and allows it to be replaced at low levels with fresh air at ambient temperatures. The result is a much more pleasant and healthier indoor environment.

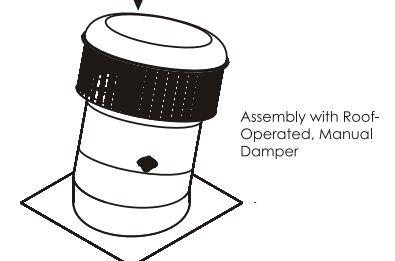
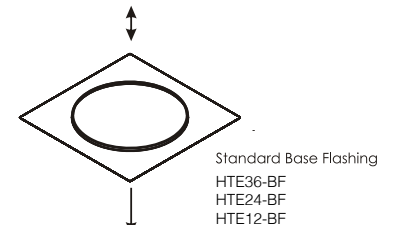
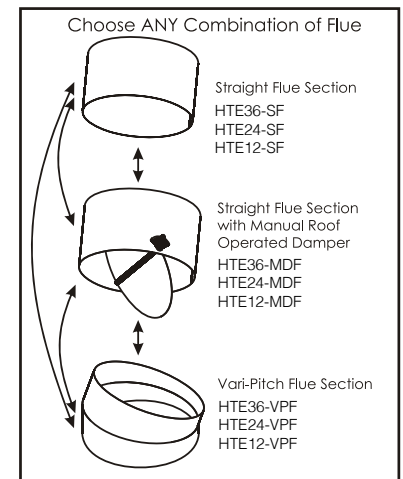
### FEATURES

- 100% energy free design
- No electrical costs - EVER!
- High grade aluminum construction
- Easy to install
- Low maintenance
- Quiet operation
- Up to 15 year warranty
- Manufactured from 5005 grade aluminum
- Can withstand a continuous gusting wind of 240km/h (150 mph) without damage (Tested by Construction Research Laboratories Inc. Miami, FL)
- Passed the requirements of the Low speed Dynamic Rain Penetration test 0.106 cfm at 35.6 mph (0.05 l/s at 57.4 km/h).

### PERFORMANCE SPECIFICATIONS

Model #	Throat Diameter	CFM @ WIND SPEED		
		6 KM/H or 4MPH	12 KM/H or 7.5 MPH	16 KM/H or 10 MPH
HTE12	12"	572	1017	1314
HTE24	24"	1314	2339	3009
HTE36	36"	3305	5720	7331

Note: Maximum airflow is achieved @ 16 KM/H or 10 MPH.



# HTE SERIES

## Hurricane Turbine Exhausters



### SIZING THE HURRICANE FANS AND DETERMINING QUANTITY

Determine the volume of building in Cubic feet:  
**Length x Width x Height = Cubic Feet**  
 ie. Warehouse 150 L x 60 W x 16 H = 144,000 Cu ft

Select the recommended Minutes Per Air Change from Chart below. In this example it's a warehouse - so we would require an air change every 12 minutes:

**To determine how much CFM you require** - take Cubic ft of space / Minutes per Air Change  
 In the example above use 144,000 cu ft / 12 = 12,000 CFM required

**To determine # of fans required:**

Using the performance specification charts, determine which size of fan would best suit your application (going with smaller fans means more fans required). Then locate your average wind speed (typical is 6 to 12 Km/h or 3 to 7.5 MPH) and divide the CFM required by the CFM (Airflow @ wind speed) for the fan chosen. In this example we will show all 3 fans using an average wind speed of 12 Km/H (7.5 MPH)

				<b>Total CFM</b>
12"	12000 / 1017 = 11.79	Rounded to 12 fans	1017 CFM/Fan	12,204 CFM
24"	12,000 / 2339 = 5.13	Rounded to 6 fans for Aesthetics	2339 CFM/Fan	14,034 CFM
36"	12,000 / 5720 = 2.09	Rounded to 3 fans	5720 CFM/Fan	17,160 CFM

Select the most suitable number of vents for the roof spaced uniformly either side of ridge (center line) with a recommended spacing of 16ft (5M).

Application	Minutes per Air Change	Application	Minutes per Air Change	Application	Minutes per Air Change	Application	Minutes per Air Change
Assembly Hall	7	Church	15	Foundry	4	Pressing Room	1
Attic	2	Classroom	6	Garage	5	Projection Booth	2
Auditorium	10	Dance Hall	5	General Office	10	Summer Cooling	1
Barber Shop	6	Department Store	6	Gymnasium	8	Toilet	3
Basement	8	Dry Cleaning	5	Laundry	2	Transformer Room	1
Battery Room	4	Engine Room	6	Locker Room	3	Warehouse	12
Boiler Room	1	Factory	6	Machine Shop	8	Welding Shop	2
Bowling Alley	5	Forge Room	3	Plating Room	3		

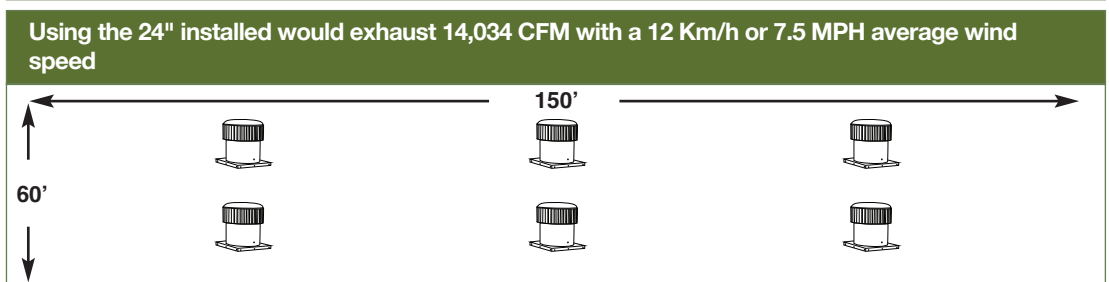
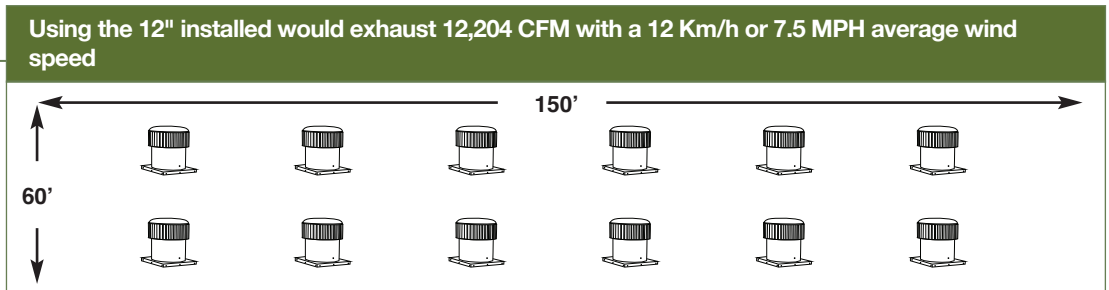
### DETERMINING MOUNTING OPTIONS

- Straight Flue
- Straight Flue Section with Manual Roof Operated damper
- Vari-Pitch Flue
- Standard base Flashing
- Standard Metal Curb
- Actuator Kits (requires power)

### PLACEMENT OF FANS

Install the required # of fans evenly spaced for aesthetics.

Out of the 3 options above, we would choose either the 12" or the 24" option.

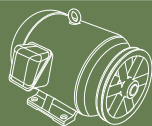




# SIG SERIES

## Side Intake Filtered Fresh Air Supply Units

SIG series fresh air supply units are ideal for commercial applications such as schools, apartments and office buildings. They also provide an economical and practical solution to meet NFPA 96 separation requirements between supply & exhaust air streams in commercial kitchen applications.



AVAILABLE WITH MOTORS & DRIVES FACTORY INSTALLED. CONSULT OUR DELAIR FAN SELECTION SOFTWARE FOR DETAILS.

### FEATURES

- Flexible forward curved belt drive blowers operate at low speed and low noise levels.
- Galvanized steel housing.
- Heavy duty ball bearings suitable for -65° to +250° F.
- Weather proof cabinet designed for outdoor roof mounting.
- Filters designed with large surface area for efficient filtration.
- Washable aluminum mesh filter are located in the intake hood and are accessible through the hood end cap for ease of service.
- Easy on-site addition of customer supplied air supply duct extension between the intake hood and unit provides additional separation where necessary.

### PERFORMANCE SPECIFICATIONS

MODEL	TYPICAL MAXIMUM CFM @ SP						Min HP	Max HP
	1/2" SP	1" SP	1 1/2" SP	2" SP	2 1/2" SP			
<b>SIG-9</b>	2300	2000	1600	1000	600	1/4	1 1/2	
<b>SIG-10</b>	2600	2400	2100	1800	1300	1/4	1 1/2	
<b>SIG-12</b>	3800	3400	3100	2700	2200	1/4	2	
<b>SIG-15</b>	5200	4700	4300	3600	3000	1/2	3	

Power rating (BHP) does not include transmission losses. Performance certified is for installation type B: Free inlet, Ducted outlet. Performance ratings do not include the effect of appurtenances (accessories).

CFM values listed above are summarized for convenience.

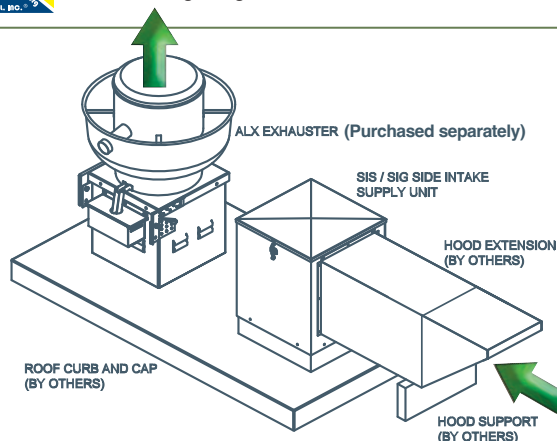
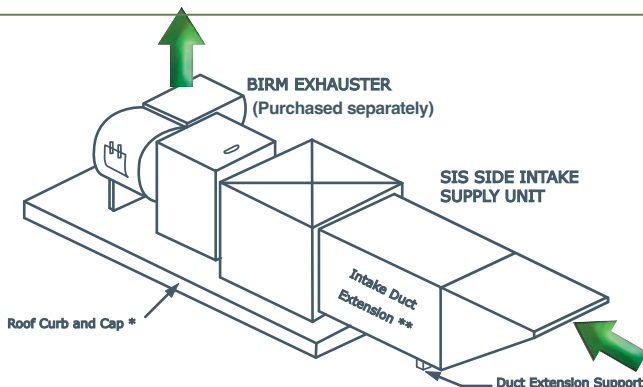
FOR FAN CURVES & FULL PERFORMANCE DATA, CONSULT OUR DELAIR SOFTWARE. DOWNLOAD DELAIR @ [WWW.CANARM.COM/DELAIR](http://WWW.CANARM.COM/DELAIR)



Canarm certifies that the SIG Series shown herein are licensed to bear the AMCA Seal. The ratings shown are based on tests and procedures performed in accordance with AMCA Publications 211 & 311 and comply with the requirements of the AMCA Certified Ratings Programme.



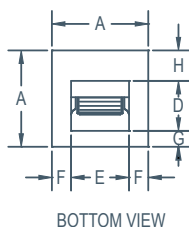
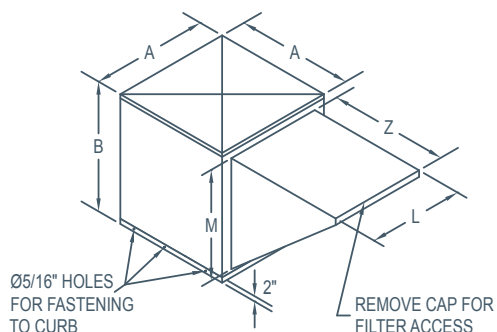
### TYPICAL INSTALLATION



### DIMENSIONS

MODEL	A	B	D	E	F	G	H	L	M	Z	FILTERS		*INSIDE CABINET	UNIT WEIGHT (LBS) (without motors & drives)
											SIZE	QUANTITY		
<b>SIG-9</b>	22"	24"	10 1/4"	11 7/8"	5"	3 7/8"	7 7/8"	19 3/8"	18 1/8"	19 7/8"	16" x 25" x 1"	1	21 7/8" x 21 7/8"	78 lbs
<b>SIG-10</b>	22"	24"	11 7/8"	13 1/4"	4 7/16"	3 1/4"	6 7/8"	19 3/8"	18 1/8"	19 7/8"	16" x 25" x 1"	1	21 7/8" x 21 7/8"	92 lbs
<b>SIG-12</b>	32"	32"	13 3/4"	15 7/8"	8 1/16"	9 1/4"	9"	25"	24 5/8"	25"	16" x 25" x 1"	2	31 7/8" x 31 7/8"	130 lbs
<b>SIG-15</b>	32"	32"	16 1/8"	18 7/8"	6 9/16"	6 7/8"	9"	25"	24 5/8"	25"	16" x 25" x 1"	2	31 7/8" x 31 7/8"	140 lbs

\* Curb size to be smaller than inside cabinet to allow for flashing and roofing.



**EASY TO SERVICE.**  
LATCHED TOP COVER PROVIDES CONVENIENT ACCESS TO MOTOR, PULLEYS AND BELT.



### ACCESSORIES

- Roof curbs (see page C27)
- Disconnects
- Frequency Drives

# SIS SERIES

## Side Intake Filtered Fresh Air Supply Units

An economical fresh air supply unit designed as a practical method to meet NFPA 96 separation requirements between supply & exhaust air streams in restaurant applications. Also suitable for many other applications, such as schools and apartments.

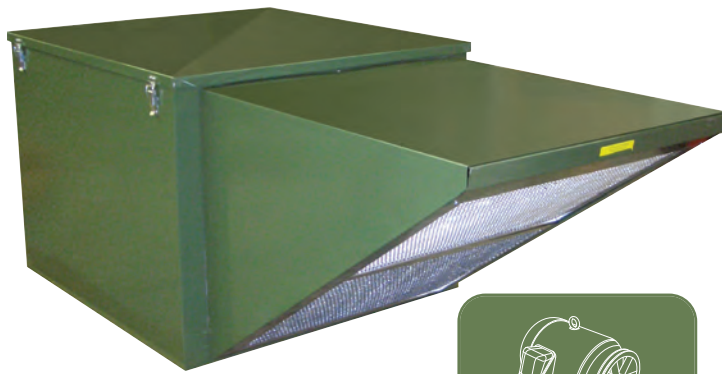
### FEATURES

- Easy on-site addition of customer supplied air supply duct extension between the intake hood and unit provides additional separation where necessary.
- Filters designed with large surface area for efficient filtration.
- Green weather resistant baked powder coat finish.
- Weather proof cabinet designed for outdoor roof mounting.
- Flexible forward curved belt drive blowers operate at low speed and low noise levels.
- Heavy duty ball bearings suitable for -65° to +250° F.
- Washable aluminum mesh filter are located in the intake hood (except SIS-20) and are accessible through the hood end cap for ease of service.
- SIS-20 has a drawer type filter section (not illustrated). The SIS-20 intake hood has a screened inlet.

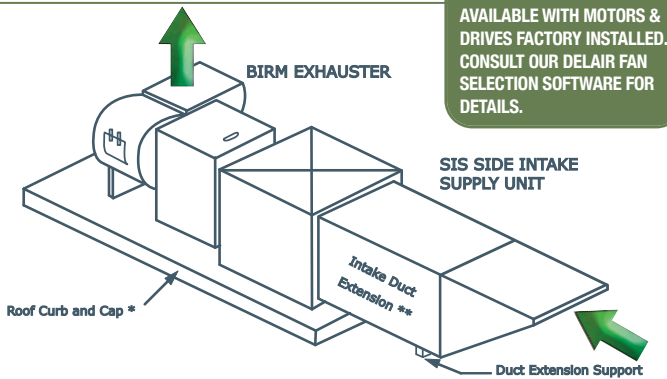


Canarm certifies that the SIS Series shown herein are licensed to bear the AMCA Seal. The ratings shown are based on tests and procedures performed in accordance with AMCA Publications 211 & 311 and comply with the requirements of the AMCA Certified Ratings Programme.

The AMCA certified ratings seal applies to air and sound performance only. The SIS Series shown herein are not approved by AMCA for FEI ratings.



### TYPICAL INSTALLATION



AVAILABLE WITH MOTORS & DRIVES FACTORY INSTALLED. CONSULT OUR DELAIR FAN SELECTION SOFTWARE FOR DETAILS.

### PERFORMANCE SPECIFICATIONS

MODEL	1/2" SP		1" SP		1 1/2" SP		2" SP		2 1/2" SP		Min HP	Max HP
	CFM	FEI	CFM	FEI	CFM	FEI	CFM	FEI	CFM	FEI		
SIS-9	2300	0.64	2200	0.74	2000	0.84	1800	0.91	1600	0.96	1/4	1-1/2
SIS-10	2700	0.67	2400	0.79	2200	0.87	1900	0.96	1700	0.99	1/4	1-1/2
SIS-12	3600	0.62	3300	0.75	2900	0.86	2600	0.91	2100	0.88	1/4	2
SIS-15	5300	0.61	4800	0.74	4400	0.85	3900	0.90	3500	0.92	1/2	3
SIS-18	8300	0.60	7700	0.73	7100	0.81	6500	0.89	5800	0.93	1/2	5
SIS-20	12500	0.46	11700	0.56	11000	0.64	10300	0.71	9500	0.76	2	10

Power rating (BHP) does not include transmission losses. Performance certified is for installation type B: Free inlet, Ducted outlet. Performance ratings do not include the effect of appurtenances (accessories).



View FEI charts  
canarm.com/fei-sis

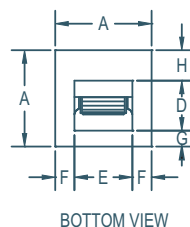
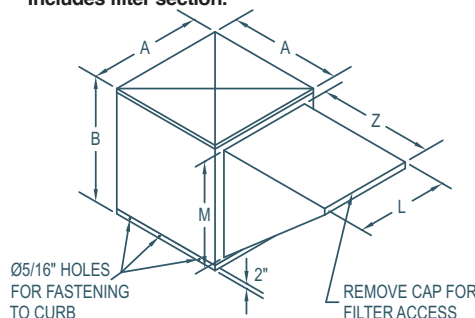
FOR FAN CURVES & FULL PERFORMANCE DATA, CONSULT OUR DELAIR SOFTWARE. WWW.CANARM.COM/DELAIR

### DIMENSIONS

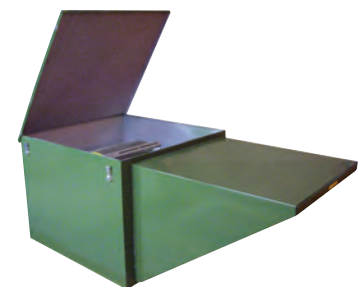
MODEL	A	B	D	E	F	G	H	L	M	Z	FILTERS		*INSIDE CABINET	UNIT WEIGHT (LBS) (without motors & drives)
											SIZE	QUANTITY		
SIS-9	24 3/8"	19 3/8"	10 1/4"	11 13/16"	6 9/32"	7 1/16"	7 1/16"	19 1/4"	16 9/16"	21 1/4"	16" x 24" x 1"	1	24" x 24"	70
SIS-10	28 3/8"	21 3/8"	11 3/8"	13 1/8"	7 5/8"	8 1/2"	8 1/2"	20 1/2"	18 9/16"	25 3/4"	15" x 20" x 1"	2	28" x 28"	87
SIS-12	32 3/8"	24 5/8"	13 7/16"	15 5/8"	8 3/8"	9 15/32"	9 15/32"	25 3/8"	21 9/16"	30 3/4"	20" x 25" x 1" & 16" x 25" x 1"	1 & 1	32" x 32"	117
SIS-15	36 3/8"	28 3/8"	15 7/8"	18 5/8"	8 7/8"	8"	12 1/2"	31 3/16"	25 13/16"	33 1/2"	20" x 28 1/2" x 1"	2	36" x 36"	175
SIS-18	36 3/8"	42 1/2"	18 7/8"	21 7/8"	7 1/4"	6 1/4"	11 1/4"	35 5/8"	32 11/16"	40 1/4"	20" x 25" x 1" & 16" x 25" x 1"	2 & 2	36" x 36"	262
SIS-20	44 3/8"	49"	24 3/4"	24 3/4"	9 13/16"	5 3/16"	14 7/16"	38 5/8"	35 9/16"	45 1/2"***	20" x 25" x 1"	6	44" x 44"	497

\* Curb size to be smaller than inside cabinet to allow for flashing and roofing.

\*\* Includes filter section.



EASY TO SERVICE. LATCHED TOP COVER PROVIDES CONVENIENT ACCESS TO MOTOR, PULLEYS AND BELT.



### ACCESSORIES

- Roof curbs (see page C27)

# 700 SERIES

## Filtered Fresh Air Supply Units



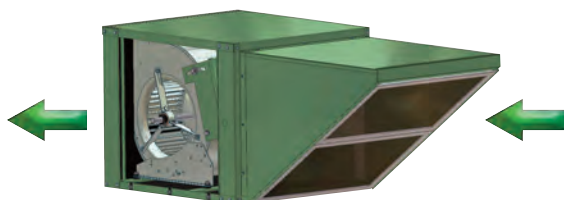
For use in restaurants, schools, high rise apartments and many other commercial and industrial applications.

### FEATURES

- Green, weather resistant baked powder coat finish.
- Heavy duty ball bearings suitable for -65° to +250° F.
- Latched top cover provides convenient service access to 4 filters, motor and drive.
- Flexible forward curved belt drive blowers operate at low speed and noise levels.
- Blower is rubber mounted for quiet operation.
- Four permanent, washable, aluminum filters have large surface area for efficient filtration.
- Outside air flows over the motor to increase motor life.
- Top insulated with 1/2" fiberglass flexible duct liner.
- Adaptable to heating or cooling coils for applications requiring tempered air.
- Motor mounting hardware supplied with all units.

### FOR HORIZONTAL APPLICATIONS

#### 9200 SERIES WITH INTAKE HOOD

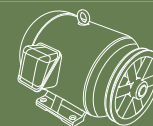


Use 9200 Series Duct Blower with matching "H" Series Intake Hood. Refer to 9200 series page.



Canarm certifies that the 700 Series shown herein are licensed to bear the AMCA Seal. The ratings shown are based on tests and procedures performed in accordance with AMCA Publications 211 & 311 and comply with the requirements of the AMCA Certified Ratings Programme.

The AMCA certified ratings seal applies to air and sound performance only. The 700 Series shown herein are not approved by AMCA for FEI ratings.



AVAILABLE WITH MOTORS & DRIVES FACTORY INSTALLED. CONSULT OUR DELAIR FAN SELECTION SOFTWARE FOR DETAILS.

### PERFORMANCE SPECIFICATIONS

MODEL	TYPICAL MAXIMUM CFM @ SP											
	1/2" SP		1" SP		1 1/2" SP		2" SP		2 1/2" SP		Min HP	Max HP
	CFM	FEI	CFM	FEI	CFM	FEI	CFM	FEI	CFM	FEI		
709	2600	0.76	2500	0.91	2300	1.01	2100	1.04	1800	1.07	1/6	1 1/2
710	3100	0.81	2800	0.96	2500	1.04	2300	1.09	1900	1.07	1/6	1 1/2
712	4400	0.83	4000	0.95	3600	1.04	3100	1.09	2600	1.05	1/6	2
715	5700	0.72	5400	0.84	4700	0.88	4000	0.90	3400	0.90	1/6	3
718	8500	0.63	8000	0.76	7400	0.86	6700	0.93	5900	0.93	1/4	5

Power rating (BHP) does not include transmission losses. Performance certified is for installation type B: Free inlet, Ducted outlet. Performance ratings do not include the effect of appurtenances (accessories).



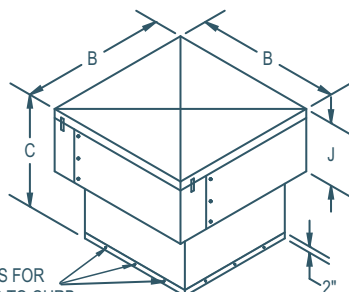
View FEI charts  
canarm.com/fei-700

FOR FAN CURVES & FULL PERFORMANCE DATA, CONSULT OUR DELAIR SOFTWARE. WWW.CANARM.COM/DELAIR

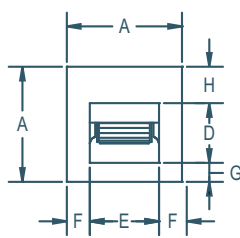
### DIMENSIONS

MODEL	A	B	C	D	E	F	G	H	J	FILTERS		*INSIDE CABINET	UNIT WEIGHT (LBS) (without motor & drives)
										SIZE	QUANTITY		
709	24 3/8"	32 3/8"	24 3/8"	10 1/4"	11 13/16"	6 9/32"	7 1/16"	7 1/16"	10 1/4"	10"x 20"	4	24"x 24"	84
710	28 3/8"	38 1/2"	28 1/4"	11 3/8"	13 1/8"	7 5/8"	8 1/2"	8 1/2"	12 1/4"	12"x 24"	4	28"x 28"	108
712	32 3/8"	42 5/8"	31 3/8"	13 7/16"	15 5/8"	8 3/8"	9 15/32"	9 15/32"	16 1/2"	16"x 25"	4	32"x 32"	150
715	32 3/8"	42 5/8"	31 3/8"	15 7/8"	18 5/8"	6 7/8"	6 1/4"	10 1/4"	16 1/2"	16"x 25"	4	32"x 32"	155
718	36 3/8"	48 5/16"	37 1/4"	18 7/8"	21 7/8"	7 1/4"	6"	11 1/2"	20 3/4"	20"x 28 1/2"	4	36"x 36"	245

\* Curb size to be smaller than inside cabinet to allow for flashing and roofing.

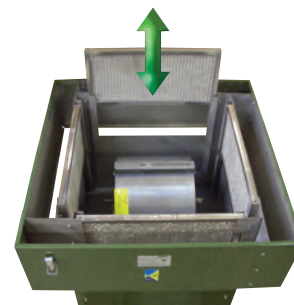


5/16" HOLES FOR FASTENING TO CURB



BOTTOM VIEW

MOTOR AND DRIVE COMPARTMENT WITH COVER REMOVED TO ILLUSTRATE 3 SIDE MOTOR ACCESS AND SLOPED MOTOR BASE FOR BELT TENSIONING.



### ACCESSORIES

- Roof curbs (see page C27)





**9200 SERIES**  
Heavy duty, Insulated Indoor or Outdoor Applications



**9200-VIB SERIES**  
With Internal Spring Vibration Isolation



Call for pricing & availability.

# 9200 & 9200-VIB SERIES

## Single & Twin Forward Curved Inline Duct Blowers

- As part of an HVAC system Delhi Duct Blowers will not “surge”, “hunt”, or “stall”.
- Optional variable pitch motor pulley permits field adjustment (typically + or - 15%) to match air delivery needs.
- For the quietest operational needs we offer optional internal spring isolation of the blower/motor from the housing thus greatly reducing radiated cabinet noise (9200-VIB only).
- Our twins (two duct blowers on a common shaft) is a wide but not tall solution for situations where vertical space is limited.
- Quiet forward curved blowers operate at ½ the rpm of other inline solutions.
- An outdoor series, 9200, is available.



### INDUSTRIES SERVED

- Commercial HVAC
- Ventilation
- Construction
- Heating
- Cooling



Canarm certifies that the 9200 Series shown herein are licensed to bear the AMCA Seal. The ratings shown are based on tests and procedures performed in accordance with AMCA Publications 211 & 311 and comply with the requirements of the AMCA Certified Ratings Programme.

The AMCA certified ratings seal applies to air and sound performance only. The 9200 Series shown herein are not approved by AMCA for FEI ratings.

### FEATURES

- **Wheel Diameters:** 7” through 20”
- **CFM:** Approximately 500 to 12,500 CFM in a single blower (Twins available).
- **Static Pressure:** Usage to about 3” static pressure is common, although allowable range is higher.
- Constructed from cold rolled steel, with green baked on powder coat. The outdoor unit uses protective galvaneal steel under the powder coat.
- Forward Curved blowers operate at low RPM for low noise levels.
- Heavy duty ball bearings suitable for -65° F to +250° F.
- Keywayed shafts both ends for clockwise or counter clockwise rotation.
- Saddle type motor mounting platform provides extended belt tension adjustment range on all models.
- 9200 series may be mounted vertically or horizontally. VIB option is horizontal mount only. Cannot be vertically mounted.

*Twin Units use a common shaft for balanced air supply by each blower.*

### TYPICAL APPLICATIONS FOR OUR INLINE BLOWERS

- An Inline make-up air solution for cases where a rooftop curb mounted solution is not available.
- As an air moving module for systems built up with other components such as heating/cooling coils.
- Noise sensitive areas - the low rpm forward curved wheel typically radiates less vibration than higher rpm backward inclined wheel solutions.
- When the application requires an air mover in a duct system located in a ceiling space.
- Redistribution or recirculation of air in a work space.
- Interlocked with entry doors to prevent entry of cold outdoor air into retail sales space and thus greets customers with warmth.
- Bathroom/ rest room exhaust - one duct blower serving multiple intakes.

### PERFORMANCE SPECIFICATIONS

MODEL	TYPICAL MAXIMUM CFM @ SP										Min HP	Max HP
	1/2" SP		1" SP		1 1/2" SP		2" SP		2 1/2" SP			
	CFM	FEI	CFM	FEI	CFM	FEI	CFM	FEI	CFM	FEI		
9209	2500	0.65	2400	0.81	2300	0.91	2100	1.01	1900	1.07	1/6	1-1/2
9210	3000	0.71	2800	0.90	2600	1.00	2300	1.07	1900	1.07	1/6	1-1/2
9212	4900	0.63	4600	0.74	4200	0.84	3900	0.91	3500	0.98	1/6	3
9215	7700	0.62	7200	0.74	6800	0.83	6300	0.91	5800	0.96	1/3	5
9218	9500	0.71	8800	0.85	8000	0.93	7200	0.98	6100	0.97	1/2	5
9220	16000	0.45	15400	0.54	14800	0.62	14100	0.69	13300	0.75	3/4	15

Power rating (BHP) does not include transmission losses. Performance certified is for installation type B: Free inlet, Ducted outlet. Performance ratings do not include the effect of appurtenances (accessories).

CONSULT OUR DELAIR SOFTWARE FOR FULL FAN CURVES & PERFORMANCE DATA. [WWW.CANARM.COM/DELAIR](http://WWW.CANARM.COM/DELAIR)

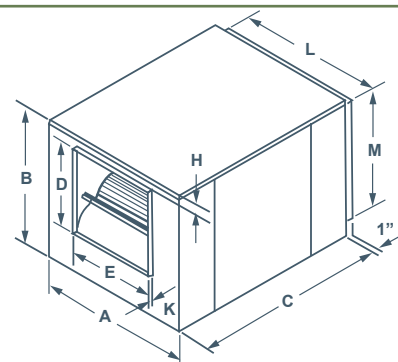
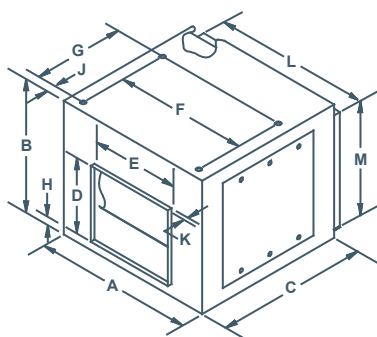


View FEI charts  
[canarm.com/fei-200](http://canarm.com/fei-200)



# 9200 & 9200-VIB SERIES

Single & Twin Forward Curved Inline Duct Blowers



Twin unit available for 9200, 9200-VIB models  
Call for pricing & availability.

## DIMENSIONS

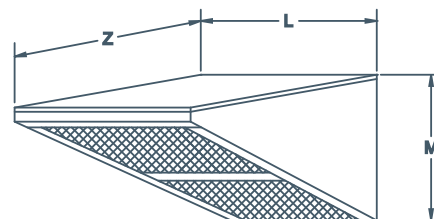
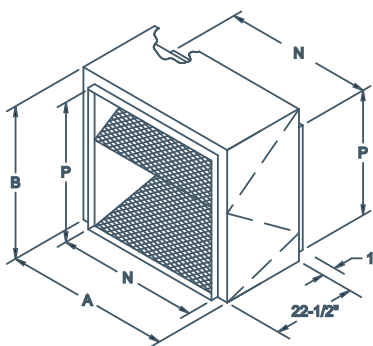
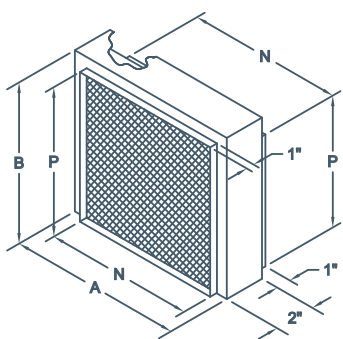
MODEL	A	B	C	OUTLET		F	G	H	J	K	INLET		SHAFT DIAMETER	UNIT WEIGHT (LBS) (without motor)
				D	E						L	M		
9209	21"	18"	23"	11 1/4"	12 3/4"	N/A	N/A	1"	N/A	1 1/8"	19"	16"	3/4"	61
9210	22 1/4"	20"	24 3/4"	12 3/8"	14 1/8"	N/A	N/A	1"	N/A	1 1/8"	20 1/4"	18"	3/4"	70
9212	30 1/8"	24 3/4"	34"	14 1/2"	16 5/8"	N/A	N/A	2 1/8"	N/A	1 1/8"	25 1/8"	21 1/8"	1"	143
9215	33 3/4"	28 5/8"	38 1/8"	17"	19 5/8"	N/A	N/A	2 1/8"	N/A	1 1/8"	30 5/8"	25 1/4"	1"	176
9218	41 1/2"	34"	44"	19 5/8"	22 5/8"	N/A	N/A	2 3/4"	N/A	1 1/8"	35 3/8"	31 5/8"	1"	323
9220	44 3/4"	41 1/8"	57 1/2"	25 3/4"	25 3/4"	N/A	N/A	3"	N/A	1 1/8"	38 3/8"	35 1/8"	1 7/16"	515

## ACCESSORIES

- Filter sections
- Intake Hoods
- External Vibration Isolators
- Hot Water Coils
- Chilled Water Coils

# FILTER SECTIONS & INTAKE HOODS

Series F200A, F9200A & H9200



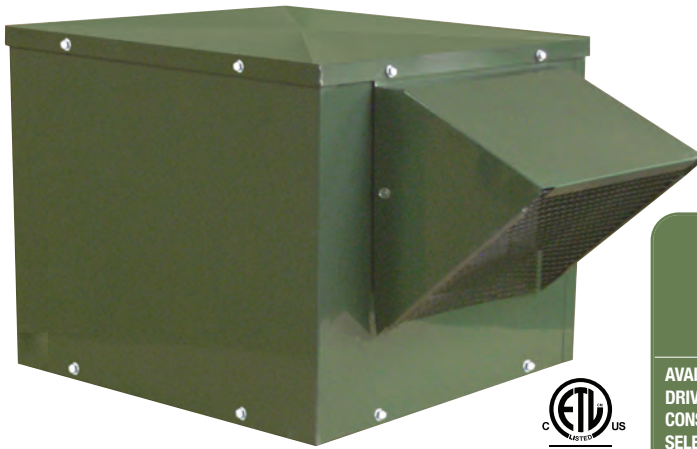
**F200A FILTER SECTION**  
For 9200 Series Duct Blowers

**F9200A FILTER SECTION**  
For Model 9200 Duct Blowers

**H9200 INTAKE HOOD**  
For 9200 Series Duct Blowers

MODEL	A	B	N	P	FILTER		UNIT WEIGHT (LBS)
					SIZE	QUANTITY	
F207A	17 3/4"	15 3/8"	16"	13 1/2"	14 1/8" X 16 5/8"	1	11
F209A	21"	18"	19 1/8"	16 1/8"	16 3/4" X 19 7/8"	1	12
F210A	22 1/4"	20"	20 3/8"	18 1/8"	18 3/4" X 21 1/8"	1	14
F212A	27"	23"	25 1/8"	21 1/8"	21 3/4" X 25 7/8"	1	16
F215A	32 1/2"	26 3/4"	30 5/8"	25 1/8"	25 3/4" X 31"	1	21
F218A	37"	33 1/4"	35 1/4"	31 1/2"	32 1/4" X 35 7/8"	1	46
F9220A	39 3/4"	37 1/4"	38 1/2"	35 1/4"	20" X 25"	6	64

MODEL	L	M	Z	FILTER		UNIT WEIGHT (LBS)
				SIZE	QUANTITY	
H9209	19 1/4"	16 9/16"	21 1/4"	16" X 24"	1	14
H9210	20 1/2"	18 9/16"	25 3/4"	15" X 20"	2	16
H9212	25 3/8"	21 9/16"	30 3/4"	20" X 25 & 16" X 25"	2	27
H9215	31 3/16"	25 13/16"	33 1/2"	20" X 28 1/2"	2	38
H9218	35 5/8"	32 11/16"	40 1/4"	20" X 25 (2) & 16" X 25"	3	50
H9220	38 5/8"	35 9/16"	22"	FILTERS NOT INCLUDED USE F9220A		40



AVAILABLE WITH MOTORS & DRIVES FACTORY INSTALLED. CONSULT OUR DELAIR FAN SELECTION SOFTWARE FOR DETAILS.

# 300 SERIES

## Forward Curved Roof Exhauster

For economical use in schools, hospitals, high rise apartments and many other commercial & industrial applications where quiet operation is required.

Canarm certifies that the 300 Series shown herein are licensed to bear the AMCA Seal. The ratings shown are based on tests and procedures performed in accordance with AMCA Publication 211 and AMCA Publication 311 and comply with the requirements of the AMCA Certified Ratings Programme.

The AMCA certified ratings seal applies to air and sound performance only. The 300 Series shown herein are not approved by AMCA for FEI ratings.



### FEATURES

- Square base allows discharge to be oriented in any of 4 directions.
- Back draft damper and bird screen included.
- Heavy duty ball bearings suitable for -65° to +250° F.
- Cabinet insulated with 1/2" fiberglass insulation.
- Automatic gravity back draft damper and bird screen are included.
- Low operating RPM of forward curved blowers results in low noise levels.
- Quiet operation. Blower is mounted on heavy steel angle with rubber isolators.
- Attractive green baked powder coat finish.
- Motor receives the cooling benefits of being in the air stream for increased motor life.
- Recessed base ensures weather proof mounting to curb.

### SPECIFICATIONS

MODEL	TYPICAL MAXIMUM CFM @ SP											
	1/2" SP		1" SP		1 1/2" SP		2" SP		2 1/2" SP		Min HP	Max HP
	CFM	FEI	CFM	FEI	CFM	FEI	CFM	FEI	CFM	FEI		
307	1200	0.52	1100	0.73	900	0.89	700	0.88	500	0.81	1/4	3/4
309	1800	0.72	1600	0.92	1300	1.08	1000	1.07	700	0.99	1/4	3/4
310	2800	0.54	2500	0.73	2200	0.88	2000	0.95	1600	0.94	1/4	1-1/2
312	3700	0.53	3300	0.70	2900	0.83	2500	0.91	1700	0.78	1/4	2
315	5700	0.50	5200	0.69	4600	0.84	4100	0.94	3400	0.94	1/2	3
318	8800	0.46	8100	0.63	7300	0.78	6700	0.90	5900	0.95	1/2	5

Power rating (BHP) does not include transmission losses. Performance certified is for installation type B - Free Inlet, Free Outlet. Performance ratings include the effects of the outlet hood and screen, but do not include the effect of other appurtenances (accessories).

FOR FAN CURVES & FULL PERFORMANCE DATA, CONSULT OUR DELAIR SOFTWARE.

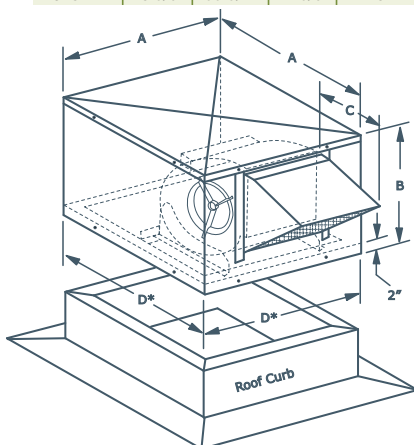
[WWW.CANARM.COM/DELAIR](http://WWW.CANARM.COM/DELAIR)



View FEI charts  
[canarm.com/fei-300](http://canarm.com/fei-300)

### DIMENSIONS

MODEL	A	B	C	* D INSIDE	SHAFT DIAMETER	UNIT WEIGHT (LBS) (without motor & drives)
307	20 3/8"	16 5/8"	9"	20"	3/4"	45
309	24 3/8"	19 3/8"	10 5/8"	24"	3/4"	63
310	28 3/8"	21 3/8"	11 3/8"	28"	3/4"	88
312	32 3/8"	24 5/8"	13 1/8"	32"	3/4"	113
315	36 3/8"	28 3/8"	14 7/8"	36"	1"	156
318	40 3/8"	33 3/4"	17 3/8"	40"	1"	224



D is an inside dimension.  
Curb size must be smaller to allow for flashing.

### BACK DRAFT DAMPER RESISTANCE CALCULATION

To estimate back draft damper resistance, use the following formula:

$$S.P. = \frac{CFM^2 \times DAMPER FACTOR}{1,000,000}$$

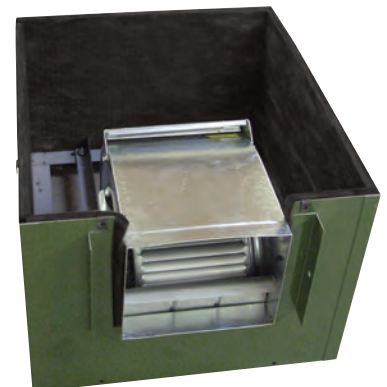
#### Example

Example Model 315, 1500 CFM

$$S.P. = \frac{1500 \times 1500 \times 0.052}{1,000,000} = 0.117 \text{ in. w.g.}$$

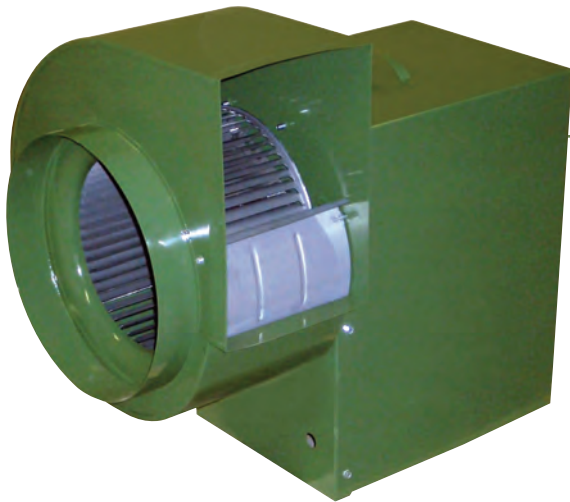
MODEL	DAMPER FACTOR
307	1.520
309	0.469
310	0.175
312	0.167
315	0.052
318	0.033

EASY TO SERVICE. BLOWER, MOTOR AND DRIVES ACCESSIBLE THROUGH THE CONVENIENT REMOVABLE TOP.



# 600 SERIES

## FC Exhauster Belt Drive Utility Blower



### FEATURES

- Standard, vented motor and drive compartment cover with handles for safety and weather protection.
- Sliding motor base for belt tension adjustment.
- Standard top horizontal discharge position can be easily rotated to any of 8 positions.
- Shafts for 620, 622 & 625 models are keyed for wheels and pulleys (610 to 618 models for pulleys only).
- Outlet flanges on models 620, 622 & 625.
- Available in CW or CCW rotation.
- Keywayed shaft.
- Heavy duty pillow block ball bearings.

**MOTOR AND DRIVE COMPARTMENT WITH COVER REMOVED TO ILLUSTRATE 3 SIDE MOTOR ACCESS AND SLOPED MOTOR BASE FOR BELT TENSIONING.**



Canarm certifies that the 600 Series shown herein are licensed to bear the AMCA Seal. The ratings shown are based on tests and procedures performed in accordance with AMCA Publications 211 and comply with the requirements of the AMCA Certified Ratings Programme.

The AMCA certified ratings seal applies to air performance only. The 600 Series shown herein are not approved by AMCA for FEI ratings.

AVAILABLE WITH MOTORS & DRIVES FACTORY INSTALLED. CONSULT OUR DELAIR FAN SELECTION SOFTWARE FOR DETAILS.



### SPECIFICATIONS

MODEL	1/2" SP		1" SP		1 1/2" SP		2" SP		2 1/2" SP		Min HP	Max HP
	CFM	FEI	CFM	FEI	CFM	FEI	CFM	FEI	CFM	FEI		
610	2600	0.61	2400	0.72	2300	0.80	2200	0.88	2000	0.99	1/6	2
612	3000	0.70	2800	0.82	2700	0.90	2500	0.97	2300	1.06	1/3	2
615	6400	0.68	6000	0.75	5700	0.82	5400	0.89	5100	0.96	1/3	3
618	6700	0.60	6300	0.68	5900	0.77	5500	0.84	5200	0.91	1/2	5
620	10300	0.48	9900	0.57	9600	0.64	9200	0.73	8900	0.79	1/2	7 1/2
622	11500	0.49	11000	0.58	10400	0.67	10000	0.74	9400	0.81	1/2	7 1/2
625	14300	0.57	13500	0.68	12500	0.76	11900	0.84	11400	0.94	1	10



View FEI charts  
[canarm.com/fei-600](http://canarm.com/fei-600)

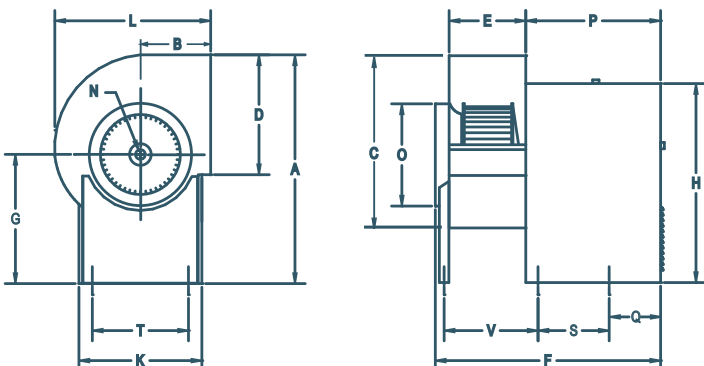
Power rating (BHP) does not include transmission losses. Performance certified is for installation type B: Free inlet, Ducted outlet. Performance ratings do not include the effect of appurtenances (accessories).

FOR FAN CURVES & FULL PERFORMANCE DATA, CONSULT OUR DELAIR SOFTWARE.

[WWW.CANARM.COM/DELAIR](http://WWW.CANARM.COM/DELAIR)

### DIMENSIONS

MODEL	A	B	C	D	E	F	G	H	K	L	N	O	P	Q	S	T	V	WHEEL DIAMETER	WHEEL WIDTH	UNIT WEIGHT (LBS) (without motor)
610	24 13/16"	8"	17 7/16"	11 3/8"	9 3/16"	28 9/16"	15 1/16"	21 5/16"	13 3/16"	16 3/4"	3/4"	12"	17 1/4"	3 3/4"	11 3/4"	11 7/16"	--	11 1/8"	7 3/16"	57
612	26 9/16"	9 1/8"	20 1/4"	13 7/16"	9 3/16"	28 9/16"	15 1/16"	21 5/16"	13 3/16"	19 1/2"	3/4"	14"	17 1/4"	3 3/4"	11 3/4"	11 7/16"	--	12 7/8"	7 3/16"	60
615	36 3/4"	11 1/4"	28 1/16"	17"	12 1/2"	35 7/8"	20 1/16"	29 1/8"	16 9/16"	25 15/16"	1"	17"	21 1/8"	--	11 1/2"	14 11/16"	15 5/8"	15 1/2"	9 9/16"	124
618	36 5/16"	12 3/8"	28 7/8"	18 7/8"	14"	37 3/8"	20 1/16"	29 1/8"	16 9/16"	27"	1"	18"	21 1/8"	--	11 1/2"	14 11/16"	17 1/8"	18 1/2"	10 13/16"	144
620	48 9/16"	14 7/16"	35 3/4"	24 3/4"	15 3/4"	46 7/16"	28"	40 7/8"	25 1/4"	32 7/16"	1 3/16"	21"	27 11/16"	--	14 5/8"	22 1/2"	18 7/8"	20 7/16"	10 1/4"	278
622	50 9/16"	15 11/16"	39 3/8"	27 1/4"	17 1/8"	47 13/16"	28"	40 7/8"	25 1/4"	35 1/2"	1 3/16"	22 1/2"	27 11/16"	--	14 5/8"	22 1/2"	20 1/4"	22 1/8"	11 1/4"	296
625	53 11/16"	17 1/4"	44 3/8"	31 1/4"	19 5/8"	50 5/16"	28"	40 7/8"	25 1/4"	39 5/8"	1 3/16"	26 3/4"	27 11/16"	--	14 5/8"	22 1/2"	22 3/4"	25 1/4"	13"	329



### ACCESSORIES

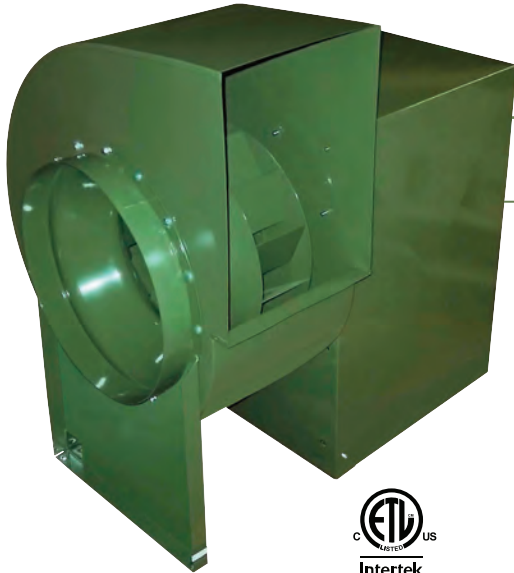
- Back Draft Dampers
- Inlet & Outlet Screens
- Corrosion Resistant Finishes
- Bolted Clean Out Door
- Heat Slinger
- 2" Drain Fitting
- Shaft Seal (vinyl or polyethylene)
- Vibration Isolation

For more information on available accessories, please see page C14.



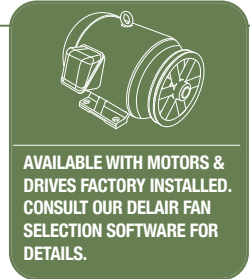
# BI SERIES

## Belt Drive Utility Blowers



### FEATURES

- Complete range of sizes from 10" to 36".
- Full AMCA Class 1 Operation.
- Non-overloading backward inclined (BI) welded wheels.
- Aluminum wheel - (AMCA type B classification for spark resistant construction) - available as an option.
- Aluminum wheels only on BI-30 to BI-36.
- Discharge position can be field rotated to any of 8 discharge positions.
- Counter clock wise rotation is standard. Clock wise available.
- Outlet flanges on models BI-24 to BI-36.
- Temperature Ratings - without a heat slinger 250° F with a heat slinger, steel wheel 400° F, aluminum wheel 300° F.
- Motor access from 3 sides.
- Sloped motor base for ease of motor installation.
- Vented motor and drive compartment cover, with handles, for safety & weather protection.
- 16 gauge or heavier blower housing.
- Heavy duty pillow block ball bearings.



AVAILABLE WITH MOTORS & DRIVES FACTORY INSTALLED. CONSULT OUR DELAIR FAN SELECTION SOFTWARE FOR DETAILS.

### PERFORMANCE SPECIFICATIONS

MODEL	TYPICAL MAXIMUM CFM @ SP										Min HP	Max HP
	1" SP		2" SP		3" SP		4" SP		5" SP			
	CFM	FEI	CFM	FEI	CFM	FEI	CFM	FEI	CFM	FEI		
BI-10	2300	0.71	2100	0.87	1800	1.01	1600	1.07	1300	1.07	1/2	2
BI-12*	3000	0.73	2900	0.86	2600	1.00	2400	1.09	1900	1.13	-	3
BI-13	3900	0.75	3600	0.92	3300	1.04	2900	1.13	2400	1.19	1/2	5
BI-15*	4800	0.71	4400	0.89	4000	1.02	3600	1.11	3000	1.16	-	5
BI-16	5700	0.74	5300	0.92	4900	1.04	4300	1.12	3500	1.16	3/4	7 1/2
BI-18	6200	0.82	5400	0.95	4700	1.06	3500	1.11	-	-	3/4	7 1/2
BI-20	8400	0.80	7900	1.02	7200	1.14	6400	1.22	5300	1.24	1	7 1/2
BI-22*	10000	0.81	9100	0.89	8200	1.01	6900	1.07	-	-	-	10
BI-24	11200	0.86	10100	1.05	8800	1.17	6700	1.19	-	-	1 1/2	15
BI-27	15000	0.80	14100	0.96	12800	1.08	11200	1.16	8300	1.15	1 1/2	15
BI-30-AW	18700	0.75	17400	0.93	16100	1.05	14200	1.13	11900	1.16	2	15
BI-33-AW	22600	0.75	21000	0.93	19400	1.05	17100	1.13	14300	1.15	-	20
BI-36-AW	22900	0.87	22900	1.00	22900	1.06	20200	1.14	16500	1.15	3	25



View FEI charts  
[canarm.com/fei-bi](http://canarm.com/fei-bi)

Power rating (BHP) does not include transmission losses. Performance certified is for installation type B: Free inlet, Ducted outlet. Performance ratings do not include the effect of appurtenances (accessories).  
\*Special Order

FOR FAN CURVES & FULL PERFORMANCE DATA, CONSULT OUR DELAIR SOFTWARE. [WWW.CANARM.COM/DELAIR](http://WWW.CANARM.COM/DELAIR)



Canarm certifies that the BI Series shown herein are licensed to bear the AMCA Seal. The ratings shown are based on tests and procedures performed in accordance with AMCA Publication 211 and comply with the requirements of the AMCA Certified Ratings Programme.

The AMCA certified ratings seal applies to air performance only. The BI Series shown herein are not approved by AMCA for FEI ratings.



MOTOR AND DRIVE COMPARTMENT WITH COVER REMOVED TO ILLUSTRATE 3 SIDE MOTOR ACCESS AND SLOPED MOTOR BASE FOR BELT TENSIONING.

### RELATED MODEL

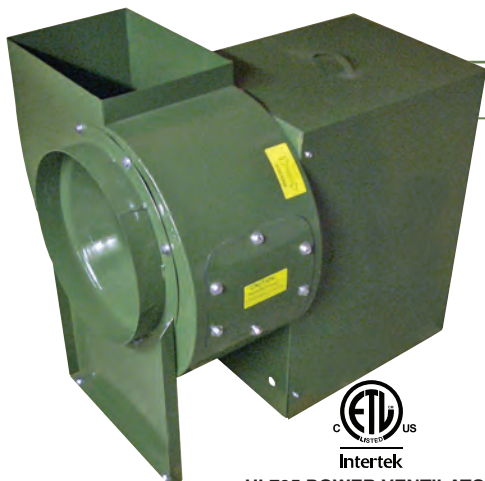
#### BI-RM & BI-RM-HS SERIES

Belt Drive Utility Blowers.



# BI-RM SERIES

Belt Drive Utility Blowers



UL705 POWER VENTILATOR  
FOR RESTAURANT  
EXHAUST APPLIANCES

## BI-RM/BI-RM-HS SERIES



Canarm certifies that the BI-RM Series shown herein are licensed to bear the AMCA Seal. The ratings shown are based on tests and procedures performed in accordance with AMCA Publication 211 and comply with the requirements of the AMCA Certified Ratings Programme.

The AMCA certified ratings seal applies to air performance only. The BI-RM Series shown herein are not approved by AMCA for FEI ratings.



UL705 Supplement SC - Power Ventilator for Restaurant Exhaust Appliances certified, refer to our UL705 Supplement SC - Power Ventilator for Restaurant Exhaust Appliances Catalogue page C in *Roof Mount Ventilation* for all installation requirements



View FEI charts  
[canarm.com/fei-bi](http://canarm.com/fei-bi)

## FEATURES - BI-RM SERIES

- Complete range of sizes from 10" to 36".
- Full AMCA Class 1 Operation.
- Non-overloading backward inclined (BI) welded wheels.
- Aluminum wheel - (AMCA type B classification for spark resistant construction) - available as an option.
- Aluminum wheels only on BI-RM-30 to BI-RM-36.
- Discharge position can be field rotated to any of 8 discharge positions.
- Counter clock wise rotation is standard. Clock wise available.
- Outlet flanges on models BI-24 to BI-36.
- Temperature Ratings - without a heat slinger 250° F with a heat slinger, steel wheel 400° F, aluminum wheel 300° F.
- Motor access from 3 sides.
- Sloped motor base for ease of motor installation.
- Vented motor and drive compartment cover, with handles, for safety & weather protection.
- 16 gauge or heavier blower housing.
- Heavy duty pillow block ball bearings.
- UL 705 Supplement SC - Power Ventilator for Restaurant Exhaust Appliances Listed for removal of cooking vapours.
- Meets NFPA 96 guidelines.
- Upblast discharge directs exhaust away from roof.
- Integral handles for single person removal of motor and drive compartment cover.
- Continuously welded 16 gauge or heavier blower housing.
- Bolted clean out door.
- 2" drain for easy removal of cleaning solutions.
- Complete range of sizes from 10" to 36".
- Vinyl shaft seal.



AVAILABLE WITH MOTORS & DRIVES FACTORY INSTALLED. CONSULT OUR DELAIR FAN SELECTION SOFTWARE FOR DETAILS.

## PERFORMANCE SPECIFICATIONS

MODEL	TYPICAL MAXIMUM CFM @ SP										Min HP	Max HP
	1" SP		2" SP		3" SP		4" SP		5" SP			
	CFM	FEI	CFM	FEI	CFM	FEI	CFM	FEI	CFM	FEI		
BI-RM-10	2300	0.71	2100	0.87	1800	1.01	1600	1.07	1300	1.07	1/2	2
BI-RM-12*	3000	0.73	2900	0.86	2600	1.00	2400	1.09	1900	1.13	-	3
BI-RM-13	3900	0.75	3600	0.92	3300	1.04	2900	1.13	2400	1.19	1/2	5
BI-RM-15*	4800	0.71	4400	0.89	4000	1.02	3600	1.11	3000	1.16	-	5
BI-RM-16	5700	0.74	5300	0.92	4900	1.04	4300	1.12	3500	1.16	3/4	7 1/2
BI-RM-18	6200	0.82	5400	0.95	4700	1.06	3500	1.11	-	-	3/4	7 1/2
BI-RM-20	8400	0.80	7900	1.02	7200	1.14	6400	1.22	5300	1.24	1	7 1/2
BI-RM-22*	10000	0.81	9100	0.89	8200	1.01	6900	1.07	-	-	-	10
BI-RM-24	11200	0.86	10100	1.05	8800	1.17	6700	1.19	-	-	1 1/2	15
BI-RM-27	15000	0.80	14100	0.96	12800	1.08	11200	1.16	8300	1.15	1 1/2	15
BI-RM-30-AW	18700	0.75	17400	0.93	16100	1.05	14200	1.13	11900	1.16	2	15
BI-RM-33-AW	22600	0.75	21000	0.93	19400	1.05	17100	1.13	14300	1.15	-	20
BI-RM-36-AW	22900	0.87	22900	1.00	22900	1.06	20200	1.14	16500	1.15	3	25

Power rating (BHP) does not include transmission losses. Performance certified is for installation type B: Free inlet, Ducted outlet. Performance ratings do not include the effect of appurtenances (accessories).

FOR FAN CURVES & FULL PERFORMANCE DATA, CONSULT OUR DELAIR SOFTWARE. [WWW.CANARM.COM/DELAIR](http://WWW.CANARM.COM/DELAIR)

## BI-RM-HS SERIES \*SPECIAL ORDER

Belt Drive Utility Blowers with Heat Slinger for Smoke & Heat

The smoke and heat model of the BI & BI-RM series is suitable for use in clean, dry air with a maximum ambient temperature of 204°C (400°F).

They are designed to exhaust smoke in the event of a fire. It is in compliance with smoke control systems requirements of 500°F for 4 hours and 1000°F for 15 minutes.

## FEATURES - BI-RM-HS SERIES

- Sizes from 10" to 24".
- Non-overloading backward inclined (BI) welded steel wheels only.
- Counter clockwise rotation is standard.
- Outlet flanges on model BI-24.
- Heat slinger with vinyl shaft seal.
- Upblast discharge directs exhaust away from roof.

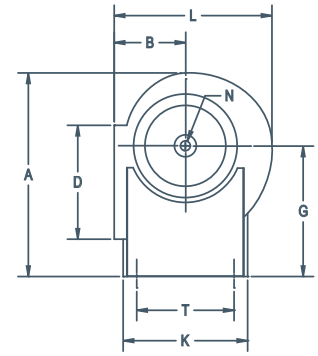
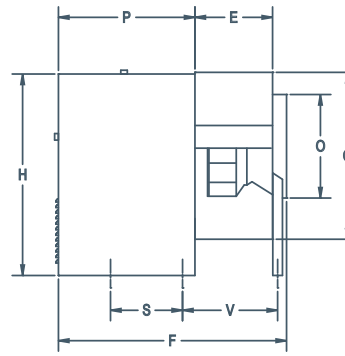
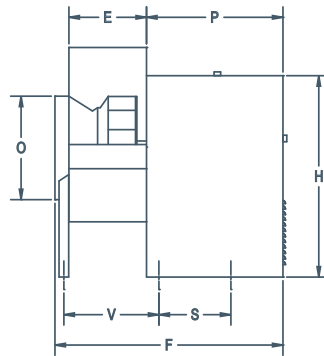
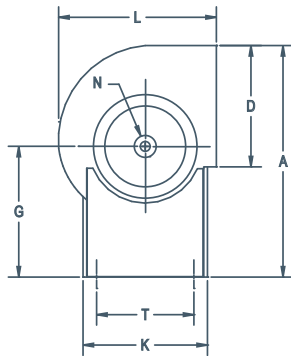


MOTOR AND DRIVE COMPARTMENT WITH COVER REMOVED TO ILLUSTRATE 3 SIDE MOTOR ACCESS AND SLOPED MOTOR BASE FOR BELT TENSIONING.

# BI & BI-RM SERIES

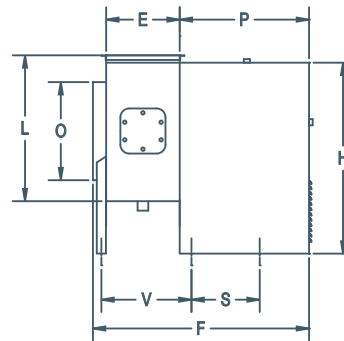
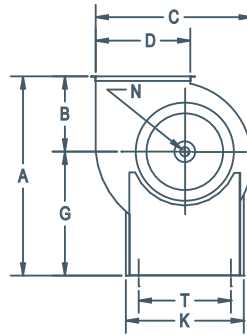
Belt Drive Utility Blowers

## DIMENSIONS



**MODELS BI-10 TO BI-27**  
(STANDARD TOP HORIZONTAL DISCHARGE)

**MODELS BI-30 TO BI-36**  
(STANDARD BOTTOM HORIZONTAL DISCHARGE)



**MODELS BI-RM(-HS)-10 TO BI-RM(-HS)-24**  
(UL 762 LISTED FOR REMOVAL OF COOKING VAPOURS)

MODEL	OUTLET																	SHAFT DIA.	INLET		WEIGHT (lbs) without motors
	A (STANDARD MODELS)	A (BI-RM MODELS)	B	C	D	E	F	G	H	K (CABINET WIDTH)	L	N	O	P	S	T	V				
BI-10	26 3/4"	23 5/8"	8 3/8"	19 3/16"	11 5/16"	8 1/4"	27 3/4" No Leg	15 5/6"	21 5/16"	13 1/4"	17 1/2"	3/4"	11"	17 1/4"	11 5/8"	11 1/4"	-	78			
BI-12	33 3/16"	30 3/16"	9 15/16"	27 7/16"	13 1/16"	9 7/8"	33 5/16"	20 3/16"	29 1/8"	16 3/4"	20 9/16"	1"	12 7/16"	21 3/16"	11 1/2"	14 3/4"	13 1/16"	112			
BI-13	34 1/2"	30 15/16"	10 3/4"	24 1/2"	14 3/8"	10 3/4"	34 1/4"	20 3/16"	29 1/8"	16 3/4"	22 7/16"	1"	14 3/8"	21 1/4"	11 1/2"	14 3/4"	14"	134			
BI-15	35 15/16"	31 15/16"	11 3/4"	27 1/4"	15 13/16"	12 3/4"	36 1/4"	20 3/16"	29 1/8"	16 3/4"	24 7/8"	1"	15 7/8"	21 3/16"	11 1/2"	14 3/4"	16"	140			
BI-16	39 7/16"	34 11/16"	12 11/16"	29 15/16"	17 1/2"	13 1/8"	36 5/8"	22"	30 15/16"	16 3/4"	26 15/16"	1 3/16"	17 3/8"	21 1/4"	11 1/2"	14 3/4"	16 1/2"	162			
BI-18	41 5/16"	35 7/8"	13 13/16"	33 3/16"	19 3/8"	14 1/2"	38 1/4"	22"	30 15/16"	16 3/4"	29 9/16"	1 3/16"	19 3/8"	21 1/2"	11 1/2"	14 3/4"	17 7/8"	172			
BI-20	49 3/16"	42 15/16"	14 15/16"	36 7/16"	21 3/16"	15 3/4"	46 3/8"	28"	40 15/16"	25 1/8"	32 3/16"	1 3/16"	21 1/4"	27 5/8"	14 9/16"	22 3/4"	19 3/4"	289			
BI-22	51 9/16"	44 3/8"	16 3/8"	40 7/16"	23 9/16"	17 3/4"	48 7/16"	28"	40 15/16"	25 1/8"	35 9/16"	1 3/16"	23 5/8"	27 5/8"	14 9/16"	22 3/4"	21 13/16"	322			
BI-24	58 3/16"	49 15/16"	17 15/16"	44 11/16"	26 1/8"	19 3/8"	51 5/16"	32 1/8"	46 11/16"	28 15/16"	39 1/8"	1 7/16"	26"	28 15/16"	18 5/16"	26 3/8"	23 3/8"	385			
BI-27	60 11/16"	51 1/2"	19 1/2"	49"	28 11/16"	21 1/4"	53 1/8"	32 1/8"	46 11/16"	28 15/16"	42 13/16"	1 7/16"	28 5/8"	28 7/8"	18 5/16"	26 3/8"	25 1/4"	411			
BI-30	65 15/16"	68 3/16"	24 7/8"	54 1/2"	31 7/8"	23 5/8"	58 5/8"	43 5/16"	65 5/16"	44 5/16"	50 15/16"	1 11/16"	31 3/4"	32"	17"	40"	29"	517			
BI-33	68 3/16"	68 5/8"	25 3/8"	58 15/16"	34 7/8"	25 15/16"	60 15/16"	43 5/16"	65 5/16"	44 5/16"	53 7/8"	1 11/16"	35"	32"	17"	40"	31 5/16"	607			
BI-36	70 7/8"	69"	25 1/2"	66 3/16"	38 9/16"	28 11/16"	63 11/16"	43 5/16"	65 5/16"	44 5/16"	56 15/16"	1 15/16"	38 3/4"	32"	17"	40"	34 1/16"	747			

## ACCESSORIES

- V-Cap
- Bolted Clean Out Door
- Heat Slinger
- Vibration Isolators

- Shaft Seal
- Corrosion Resistant Coating
- Aluminum Wheel
- Back Draft Dampers

- Inlet & Outlet Screens
- 2" Drain Fitting

For more information on accessories, see page C14.



# HRE SERIES

## Horizontal Restaurant Exhausters

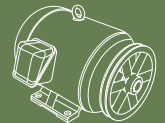


### INDUSTRIES SERVED

- Restaurant

### FEATURES

- UL705 Supplement SC Listed for the removal of cooking vapors
- Meets NFPA-96 Installation guidelines
- Convenient hinged curb mounting
- Clean-out access door
- Fully welded, 16 gauge or heavier blower housing c/w shaft seal to eliminate grease leakage
- 2 inch drain connection
- Pillow block ball bearings
- Upblast discharge directs exhaust away from roof
- Heavy duty, backward inclined non-overloading wheel



AVAILABLE WITH MOTORS & DRIVES FACTORY INSTALLED. CONSULT OUR DELTAIR FAN SELECTION SOFTWARE FOR DETAILS.



UL705 Supplement SC - Power Ventilator for Restaurant Exhaust Appliances certified, refer to our UL705 Supplement SC - Power Ventilator for Restaurant Exhaust Appliances Catalogue page C in Roof Mount Ventilation for all installation requirements

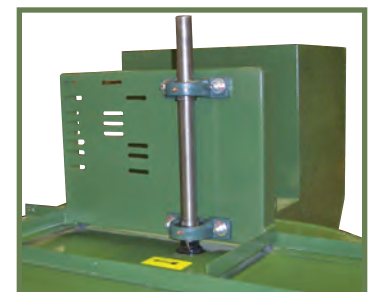


UL705 POWER VENTILATOR FOR RESTAURANT EXHAUST APPLIANCES

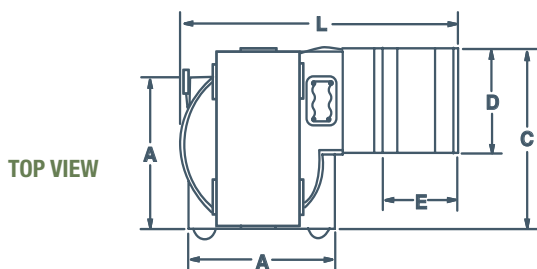
CURRENTLY ONLY AVAILABLE IN CANADA

### DIMENSIONS

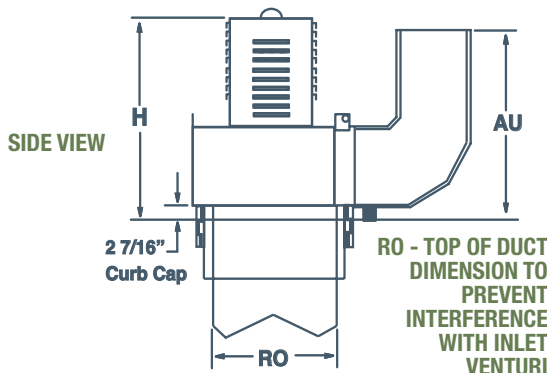
MODEL	A	CURB (SQUARE)	AU	C	D	E	H	L	RO	SHAFT DIAMETER	UNIT WEIGHT (LBS) (without motors & drives)
HRE-13	21 1/2"	20 1/2"	27 7/16"	25 1/4"	14 3/4"	10 5/8"	30 15/16"	41 7/8"	17 1/2"	1"	147
HRE-16	25 1/2"	24 1/2"	31 1/2"	30 3/8"	17 7/8"	13 1/4"	34 1/4"	48 11/16"	21 5/16"	1 3/16"	204
HRE-20	29 1/2"	28 1/2"	35 7/8"	36 1/8"	21 9/16"	15 5/8"	40 1/16"	56 1/8"	25 1/2"	1 3/16"	251
HRE-24	34 1/2"	33 3/8"	40 5/8"	43 3/8"	26 5/16"	19 1/2"	43 5/8"	66 7/8"	30 1/8"	1 7/16"	362



UNIT SHOWN WITH COVER REMOVED

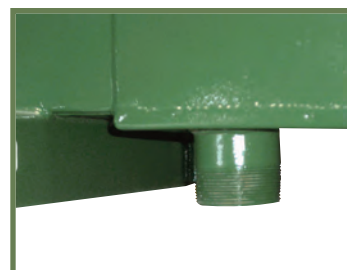


TOP VIEW



SIDE VIEW

RO - TOP OF DUCT DIMENSION TO PREVENT INTERFERENCE WITH INLET VENTURI



2" DRAIN CONNECTION



CONVENIENT CLEAN OUT ACCESS DOOR

### OPTIONAL ACCESSORIES

- Vented roof curbs comes with hinge
- For additional information on roof curbs, see page C27.
- Discharge "V" cap (rain cap)

### BACK DRAFT DAMPERS

- Fits the outlet of all 200, 400, 600, 9200 and BI Series Utility Blowers.
- Constructed of 16 ga. aluminum.
- Gravity activated.
- Easily field installed.

### INLET SCREENS

- Fits all single inlet 400, 600 and BI Series Utility Blowers.
- Round inlet screens mount on the inlet collars of the blowers.
- Easily field installed.

### OUTLET SCREENS

- Fits all single inlet 400, 600 and BI Series Utility Blowers.
- Rectangular outlet screens mount over the square outlet of the units.
- Easily field installed.

### BOLTED CLEAN OUT DOOR

- Allows easy access for inspection and cleaning of the wheel & housing.
- A tight pattern of bolts holds the gasketed door in place on the curved face of the scroll shaped wheel housing.

### HEAT SLINGER

- Cast aluminum disk with radial blades, split for easy field installation on the shaft between the housing and the inboard bearing.
- Can be used on Canarm/Delhi's BI/600 units.
- Provides protection for the bearing from excessive heat. The slinger dissipates heat from the shaft before reaching the bearing and increases the air flow across the inboard bearings.
- Good for a maximum of 400° Fahrenheit air stream temperature.

### V CAP

- For BI upblast utility sets to reduce rain and snow entry.
- Easily field installed above the blower outlet.

### DRAIN FITTING

- Large, 2" diameter threaded pipe fitting resists clogging.
- Can be connected to a drainage system if desired.
- Factory welded in place, prior to painting.

### SHAFT SEAL

- Good for a maximum of 220° Fahrenheit.
- Prevents migration of fumes, grease vapors, dust etc from the airstream into the compartment housing motors, drives and bearings.
- Can be used on Canarm/Delhi's BI/600 Utility units.
- Easily field installed.
- Installed on the shaft between the bearing plate and back panel in the motor compartment.
- Constructed of 1/4" thick polyethylene for a good seal and resistance to many substances.

### VIBRATION ISOLATORS RUBBER

- Reduces vibration transmission to floors or roof surfaces.
- Suitable for indoor and outdoor use.

### VIBRATION ISOLATORS SPRING

- Reduces vibration transmission to floors or roof surfaces.
- Suitable for indoor use only.

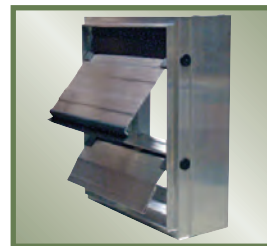
### VIBRATION ISOLATORS OUTDOOR SPRING

- Reduces vibration transmission to floors or roof surfaces.
- Designed for outdoor use. Housed to resist lateral motion from winds.

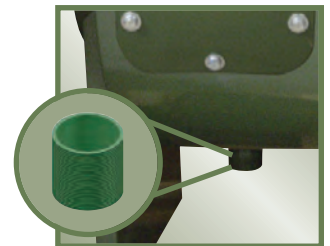
### ALUMINUM WHEEL

- For use with the BI & BI-RM series units.
- AMCA type B classification for spark resistant construction

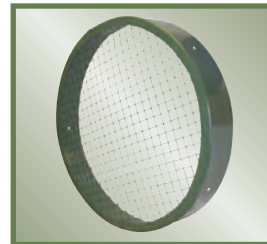
## OPTIONS & ACCESSORIES



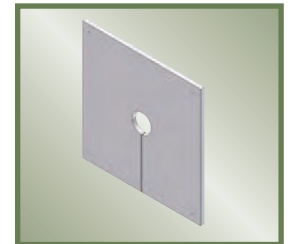
BACK DRAFT DAMPER



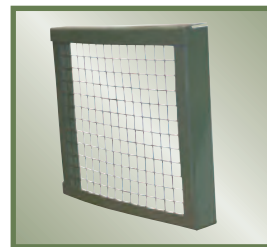
DRAIN FITTING



INLET SCREEN



SHAFT SEAL



OUTLET SCREEN



VIBRATION ISOLATORS RUBBER



BOLTED CLEAN OUT DOOR



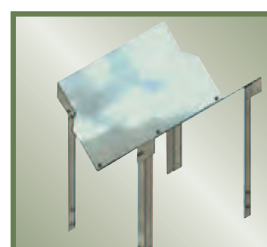
VIBRATION ISOLATORS SPRING



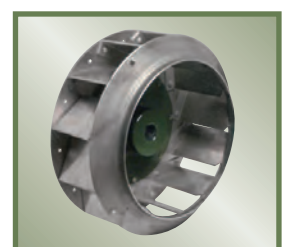
HEAT SLINGER



VIBRATION ISOLATORS OUTDOOR SPRING



V CAP



ALUMINUM WHEEL

**NEW** | now with  
**EC MOTORS**  
for energy savings

# ALX-UD & ALX-UD-EC SERIES - UPBLAST DIRECT DRIVE SPUN ALUMINUM EXHAUSTERS



UL705 POWER VENTILATOR  
FOR RESTAURANT  
EXHAUST APPLIANCES

Ideal for exhausting air from factories, offices, warehouses or commercial buildings. The ALX series spun aluminum exhaust fan can be used as either a roof top or wall mount exhaust fan.

**FEATURING PERFECT  
SPEED EC MOTORS - UP TO  
82% EFFICIENCY**

**ENERGY SAVINGS OF UP  
TO 70% OVER REGULAR  
DUTY PSC MOTORS**



## FEATURES

- Spun aluminum housing will not rust, chip or peel.
- Aluminum backward inclined wheel is non-overloading.
- Available with PSC or EC motors
- Variable speed PSC motors available on ALX 090/105/120/135
- All motors are 1 Phase 120/240V operation and can be operated at 50 or 60 Hz.
- All units can be wall mounted.
- Quick release latches for easy motor access

## DIMENSIONS

MODEL	DIMENSIONS (INCHES)								Wheel Diameter	Roof Opening	WEIGHT (lbs)
	A	B	C	C2	D	E	F	G Ø			
ALX090-UD**	14.25	17.75	19.00	-	9.50	2.00	-	-	9.00	13.00	30
ALX105-UD	18.00	25.00	19.00	21.00	13.00	1.50	3.50	0.38	10.50	15.00	35
ALX120-UD	19.00	25.00	19.00	21.00	13.00	1.50	3.50	0.38	12.25	15.00	37
ALX135-UD	22.25	32.13	21.00	24.75	17.13	2.00	3.75	0.44	13.50	17.00	53
ALX150-UD	23.13	32.13	21.00	24.75	17.13	2.00	3.75	0.44	15.00	17.00	58
ALX165-UD	27.13	37.50	24.75	28.00	21.13	2.00	4.00	0.44	16.50	20.75	100
ALX180-UD*	31.75	37.50	28.00	24.75	21.13	2.00	4.00	0.44	18.25	20.75	116
ALX210-UD*	36.25	43.75	33.13	40.00	25.50	2.50	4.00	0.44	21.00	29.00	178

\*EC motor option only

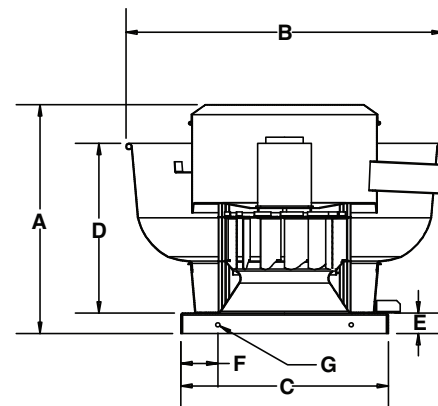
\*\* UL705 Only

## OPTIONS & ACCESSORIES

- Motorized damper
- Gravity (automatic) damper
- Wall mount bracket (for all sizes up to 24")
- Bird screen
- Grease collection box (required for UL705 Power Ventilator for Restaurant Exhaust Appliances)
- Curb hinge
- Disconnect switches
- Roof Curbs
- MC series solid state variable speed controls (ALX105-135 models)
- Remote mount potentiometer (available soon - EC models)
- Other base (curb cap) options available. See C2 in dimensions table.

## EC MOTORS

- EC motors offer true variable speed operation and up to 70% energy savings over PSC motors.
- On-board speed adjustment allows simple setup and balancing with LED display.
- Can be controlled remotely up to 50' using a remote mount potentiometer or 0-10V.



## DISCONNECT SWITCHES

- Wire disconnect switches are available. See Controls & Thermostats section for details.



UL705 Supplement SC - Power Ventilator for Restaurant Exhaust Appliances certified, refer to our UL705 Supplement SC - Power Ventilator for Restaurant Exhaust Appliances Catalogue page C in Roof Mount Ventilation for all installation requirements



Canarm certifies that the ALX-UD Series shown herein are licensed to bear the AMCA Seal. The ratings shown are based on tests and procedures performed in accordance with AMCA Publications 211 & 311 and comply with the requirements of the AMCA Certified Ratings Programme.

The AMCA certified ratings seal applies to air and sound performance only. The ALX-UD Series shown herein are not approved by AMCA for FEI ratings.

# ALX-UD & ALX-UD-EC SERIES UPBLAST DIRECT DRIVE SPUN ALUMINUM EXHAUSTERS



## PERFORMANCE SPECIFICATIONS & CFM RATINGS

UNIT	MOTOR			AIRFLOW (CFM) @ STATIC PRESSURE															
	HP	Variable Speed	Max RPM	0.0"		.25"		.5"		.75"		1.00"		1.25"		1.5"		2.0"	
				High	Low	High	Low	High	Low	High	Low	High	Low	High	Low	High	Low	High	Low
ALX090-UD008V***	1/12	Y	1650	525	275	425	100	340	100	-	-	-	-	-	-	-	-	-	-
ALX105-UD013V	1/8	Y*	1650	950	526	850	451	725	300	-	-	-	-	-	-	-	-	-	-
ALX105-UD033EC	1/3	Y	1800	1051	217	954	319	866	393	732	440	534	483	-	-	-	-	-	-
ALX120-UD033V	1/3	Y*	1650	1400	977	1300	826	1175	751	1050	601	850	451	-	-	-	-	-	-
ALX120-UD050EC	1/2	Y	1800	1548	325	1422	336	1282	367	1133	395	947	408	633	438	-	-	-	-
ALX135-UD050V	1/2!	Y	1650	1950	-	1900	-	1800	-	1650	-	1550	-	1400	-	1300	-	-	-
ALX135-UD033EC	1/3	Y	1350	1578	400	1491	450	1346	600	1212	700	1053	850	-	-	-	-	-	-
ALX135-UD050EC	1/2	Y	1550	1850	400	1775	450	1650	600	1525	700	1375	850	1200	1000	-	-	-	-
ALX135-UD075EC	3/4	Y	1750	2100	400	2000	450	1900	600	1800	700	1700	850	1575	1000	1450	1100	-	-
ALX150-UD100S	1	N	1650	2450	-	2375	-	2275	-	2150	-	2050	-	1875	-	1700	-	-	-
ALX150-UD033EC	1/3	Y	1100	1735	600	1594	579	1403	663	1157	767	-	-	-	-	-	-	-	-
ALX150-UD050EC	1/2	Y	1350	2003	581	1934	688	1754	680	1595	733	1389	823	1114	765	-	-	-	-
ALX150-UD075EC	3/4	Y	1550	2353	696	2261	711	2161	733	2048	674	1917	827	1751	940	1574	980	1269	1052
ALX150-UD100EC	1	Y	1700	2544	647	2462	643	2361	732	2276	680	2173	830	2050	940	1896	972	1496	1144
ALX165-UD150S	1 1/2	N	1650	3400	-	3300	-	3200	-	3000	-	2900	-	2800	-	2600	-	2200	-
ALX165-UD050EC	1/2	Y	1200	2595	861	2372	800	2155	921	1970	1068	1687	1155	-	-	-	-	-	-
ALX165-UD075EC	3/4	Y	1350	2965	861	2780	800	2579	921	2427	1068	2236	1155	1986	1318	1682	1405	-	-
ALX165-UD100EC	1	Y	1500	3179	878	3004	851	2816	921	2662	1068	2507	1155	2293	1318	2064	1405	1749	1524
ALX180-UD100EC	1	Y	1200	3400	1100	3200	1225	3000	1350	2700	1475	2400	1625	2025	1750	-	-	-	-
ALX210-UD100EC	1	Y	900	4300	1700	4000	1750	3725	1800	3400	1850	2900	1950	2200	2025	-	-	-	-

EC motors can be controlled using the built in potentiometer on motor or by using a 0 to 10 V controller, or by a remote potentiometer.

\* Using MC5 (for 115V or MC5-230 (for 230V)

\*\* Using MC10 (for 115V or MC5-230 (for 230V)

\*\*\* UL705 Only

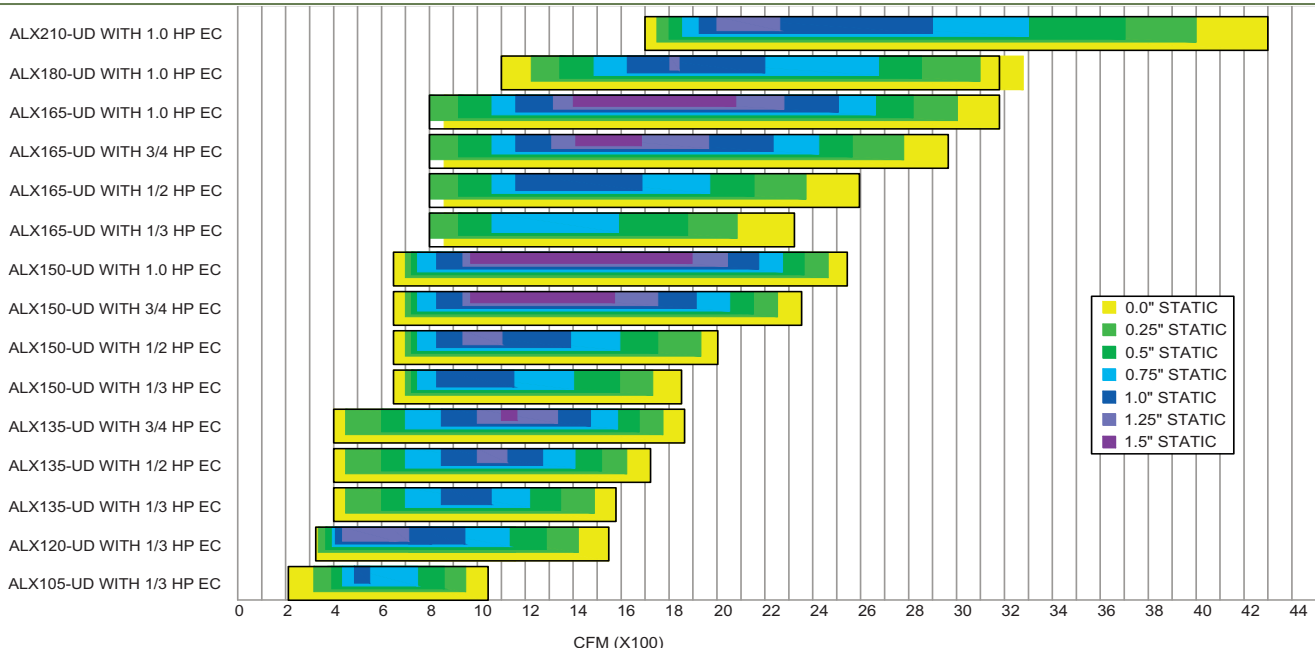
Minimum motor speed 425 RPM (EC Models)

Model	Motor			Airflow (CFM) @ Static Pressure															
	HP	Variable Speed	Max RPM	0" SP		1/4" SP		1/2" SP		3/4" SP		1" SP		1-1/4" SP		1-1/2" SP		1-3/4" SP	
				CFM	FEI	CFM	FEI	CFM	FEI	CFM	FEI	CFM	FEI	CFM	FEI	CFM	FEI	CFM	FEI
ALX150-UD100S	1	N	1650	2450	0.45	2375	0.67	2275	0.85	2150	1.01	2050	1.16	1875	1.25	1700	1.31	-	-
ALX150-UD100EC	1	Y	1700	2544	0.47	2462	0.69	2361	0.88	2276	1.06	2173	1.21	2050	1.34	1896	1.43	1496	1.33
ALX165-UD100EC	1	Y	1500	3179	0.53	3004	0.77	2816	0.97	2662	1.15	2507	1.3	2293	1.4	2064	1.46	1749	1.43
ALX180-UD100EC	1	Y	1200	3400	0.6	3200	0.86	3000	1.09	2700	1.24	2400	1.35	2025	1.36	-	-	-	-
ALX210-UD100EC	1	Y	900	4300	0.59	4000	0.85	3725	1.07	3400	1.23	2900	1.29	2200	1.19	-	-	-	-

Consult our Delair fan selection software for fan curves and performance data.

[www.canarm.com/delair](http://www.canarm.com/delair)

## ALX UPBLAST SERIES AIRFLOW RANGE WITH EC MOTORS





# ALX-UB SERIES - UPBLAST BELT DRIVE SPUN ALUMINUM EXHAUSTERS



## OPTIONS

- Motorized damper
- Gravity (automatic) damper
- Wall mount bracket (for all sizes up to 24")
- Bird screen
- Grease collection box (required for UL705 Power Ventilation for Restaurant Exhaust Appliances)
- Curb hinge
- Disconnect switches
- Roof curbs
- Other base (curb cap) options available. See C2 in dimensions table.

Ideal for exhausting air from restaurants, offices, warehouses or commercial buildings. The ALX series spun aluminum exhaust fan can be used as either a roof top or wall mount exhaust fan.

## FEATURES

- Spun aluminum housing will not rust, chip or peel.
- Aluminum backward inclined wheel is non-overloading.
- Belt drive.
- For motor options consult our fan selection software Delair. [www.canarm.com/delair](http://www.canarm.com/delair)
- Units up to 24" (max 2HP) can be wall mounted.
- Quick release latches for easy motor access.



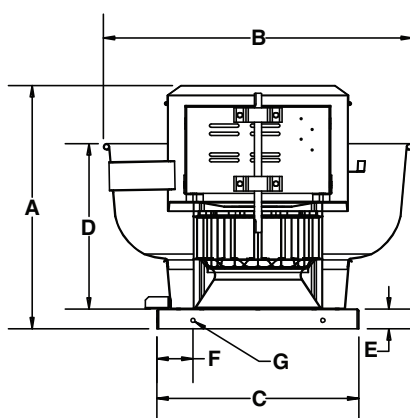
QUICK RELEASE LATCHES FOR EASY MOTOR ACCESS

## DIMENSIONS

**NOTE: DUE TO MOTOR MANUFACTURERS VARIANCES IN DESIGN, PLEASE SEE USER MANUAL FOR MOTOR DIMENSIONAL GUIDELINES.**

MODEL	DIMENSIONS (INCHES)								Shaft Size	Wheel Diameter	Roof Opening	WEIGHT (lbs) without motors
	A	B	C	C2	D	E	F	G Ø				
ALX135-UB	25.25	32.13	21.00	24.75	17.13	2.00	3.75	0.44	3/4"	13.50	17.00	43
ALX150-UB	26.13	32.13	21.00	24.75	17.13	2.00	3.75	0.44	3/4"	15.00	17.00	45
ALX165-UB	31.13	37.50	24.75	28.00	21.13	2.00	4.00	0.44	3/4"	16.50	20.75	108
ALX180-UB	31.75	37.50	28.00	24.75	21.13	2.00	4.00	0.44	3/4"	18.25	20.75	116
ALX210-UB	36.25	43.75	33.13	40.00	25.50	2.50	4.00	0.44	1"	21.00	29.00	178
ALX245-UB	37.00	43.75	33.13	40.00	25.50	2.50	4.00	0.44	1"	24.50	29.00	183

Note: Net weights for belt drive units do not include motor & drives.



UL705 Supplement SC - Power Ventilator for Restaurant Exhaust Appliances certified, refer to our UL705 Supplement SC - Power Ventilator for Restaurant Exhaust Appliances Catalogue page C in *Roof Mount Ventilation* for all installation requirements



Canarm certifies that the ALX-UB Series shown herein are licensed to bear the AMCA Seal. The ratings shown are based on tests and procedures performed in accordance with AMCA Publications 211 & 311 and comply with the requirements of the AMCA Certified Ratings Programme.

The AMCA certified ratings seal applies to air and sound performance only. The ALX-UB Series shown herein are not approved by AMCA for FEI ratings.

## DISCONNECT SWITCHES

- Wire disconnect switches are available. See Controls & Thermostats section for details.



# ALX-UB SERIES - UPBLAST BELT DRIVE SPUN ALUMINUM EXHAUSTERS

## PERFORMANCE SPECIFICATIONS

### ALX UB WITH MOTORS & DRIVES and wired disconnect

Single Phase	RPM Range	HP	RPM	Values @ 0.5" SP		0" SP		0.25" SP		0.5" SP		0.75" SP		1" SP		1.25" SP		1.5" SP		
				BHP	Sones	CFM	FEI	CFM	FEI	CFM	FEI	CFM	FEI	CFM	FEI	CFM	FEI	CFM	FEI	CFM
ALX135UBT10025**	862-1293	1/4	1078	0.15	8.6	1204	-	1053	-	870	-	-	-	-	-	-	-	-	-	-
ALX135UBT10033**	932-1398	1/3	1260	0.24	12.8	1405	-	1284	-	1143	-	964	-	-	-	-	-	-	-	-
ALX135UBT10050**	1122 - 1552	1/2	1458	0.36	16.5	1629	-	1523	-	1405	-	1274	-	1124	-	-	-	-	-	-
ALX150UBT10050**	932-1398	1/2	1288	0.41	20	1901	-	1801	-	1666	-	1470	-	1239	-	-	-	-	-	-
ALX150UBT10075**	1078-1617	3/4	1528	0.67	27	2261	-	2175	-	2079	-	1949	-	1786	-	1599	-	1364	-	-
ALX150UBT10100	1341-1820	1	1653	0.85	31	2443	0.40	2367	0.59	2280	0.76	2175	0.90	2040	1.02	1877	1.11	1705	1.16	-
ALX165UBT10100	1097-1489	1	1323	0.66	21	2598	0.53	2471	0.76	2350	0.97	2170	1.13	1954	1.24	1709	1.29	-	-	-
ALX165UBT10150	1254-1646	1.5	1554	1.03	26	3050	0.40	2929	0.58	2847	0.75	2724	0.90	2576	1.03	2391	1.12	2192	1.18	-
ALX180UBT10100	980-1293	1	1241	0.95	25	3504	0.48	3327	0.69	3114	0.87	2871	1.02	2584	1.11	2261	1.16	-	-	-
ALX180UBT10200	1097-1489	2	1403	1.35	30	3967	0.37	3805	0.55	3636	0.71	3438	0.84	3202	0.95	2952	1.03	2673	1.07	-
ALX210UBT10150	862-1132	1.5	1017	1.38	21	4792	0.43	4488	0.63	4152	0.78	3761	0.90	3321	0.97	2705	0.94	-	-	-
ALX245UBT10150	673-889	1.5	790	1.22	18.9	5668	0.56	5208	0.80	4655	0.97	3907	1.04	2998	1.00	-	-	-	-	-
ALX245UBT10200	745-979	2	862	1.58	22	6186	0.47	5772	0.68	5289	0.84	4678	0.95	3930	0.97	2975	0.89	-	-	-
ALX245UBT10300	862-1132	3	964	2.20	28	6913	0.38	6562	0.57	6146	0.72	5666	0.84	5075	0.91	4403	0.94	3588	0.90	-
<b>Three Phase</b>																				
ALX150UBT30100*	1341-1820	1	1653	0.85	31	2443	0.40	2367	0.59	2280	0.76	2175	0.90	2040	1.02	1877	1.11	1705	1.16	-
ALX165UBT30100*	1097-1489	1	1323	0.66	21	2598	0.53	2471	0.76	2350	0.97	2170	1.13	1954	1.24	1709	1.29	-	-	-
ALX165UBT30150*	1254-1646	1.5	1554	1.03	26	3050	0.40	2929	0.58	2847	0.75	2724	0.90	2576	1.03	2391	1.12	2192	1.18	-
ALX180UBT30100*	980-1293	1	1241	0.95	25	3504	0.48	3327	0.69	3114	0.87	2871	1.02	2584	1.11	2261	1.16	-	-	-
ALX180UBT30200*	1097-1489	2	1403	1.35	30	3967	0.37	3805	0.55	3636	0.71	3438	0.84	3202	0.95	2952	1.03	2673	1.07	-
ALX210UBT30150*	862-1132	1.5	1017	1.38	21	4792	0.43	4488	0.63	4152	0.78	3761	0.90	3321	0.97	2705	0.94	-	-	-
ALX245UBT30150*	673-889	1.5	790	1.22	18.9	5668	0.56	5208	0.80	4655	0.97	3907	1.04	2998	1.00	-	-	-	-	-
ALX245UBT30200*	745-979	2	862	1.58	22	6186	0.47	5772	0.68	5289	0.84	4678	0.95	3930	0.97	2975	0.89	-	-	-
ALX245UBT30300*	862-1132	3	964	2.20	28	6913	0.38	6562	0.57	6146	0.72	5666	0.84	5075	0.91	4403	0.94	3588	0.90	-

\*\* 115V only. All other motors will be wired at high voltage.

\*For three phase motors, substitute "\*" with "M" for 230/460 volt (wired for 460V) or "P" for 575 volt

UL705 = 1Ø Only

### ALX UB WITHOUT MOTORS & DRIVES

MODEL	MIN HP	MAX HP	MAX RPM	TYPICAL MAXIMUM CFM @ SP																	
				0"		0.25"		0.5"		0.75"		1"		1.25"		1.5"		2"		2.25"	
				CFM	FEI	CFM	FEI	CFM	FEI	CFM	FEI	CFM	FEI	CFM	FEI	CFM	FEI	CFM	FEI	CFM	FEI
ALX135-UB		3/4	1800	2000	0.59	1900	0.60	1800	0.79	1700	0.89	1600	0.99	1500	1.06	1400	1.09	-	-	-	-
ALX150-UB	1/4	1.5	1800	2700	0.97	2600	0.55	2500	0.70	2300	0.85	2200	0.94	2000	1.01	1800	1.07	1400	1.06	-	-
ALX165-UB	1/4	2	1800	3500	1.37	3400	0.49	3400	0.59	3300	0.69	3200	0.78	3000	0.87	2900	0.92	2500	1.01	2400	1.02
ALX180-UB	1/4	2	1500	4200	1.42	4100	0.53	3900	0.68	3800	0.77	3600	0.86	3300	0.93	3100	0.96	2500	1.01	1600	0.95
ALX210-UB	1/2	3	1300	6100	2.62	5900	0.42	5700	0.53	5400	0.64	5100	0.73	4800	0.81	4400	0.87	3600	0.93	2900	0.92
ALX245-UB	1/2	5	1200	7800	3.42	7500	0.42	7300	0.53	7000	0.64	6600	0.64	6200	0.80	5700	0.86	4500	0.91	3800	0.90

Consult our Delair fan selection software for full fan curves and performance data.  
[www.canarm.com/delair](http://www.canarm.com/delair)

\* Motor adaptor plate required for 3HP+



View FEI charts  
[canarm.com/fei-alex](http://canarm.com/fei-alex)

**NEW** | now with  
**EC MOTORS**  
for energy savings

# ALX-DD & ALX-DD-EC SERIES DOWNBLAST DIRECT DRIVE SPUN ALUMINUM EXHAUSTERS



QUICK RELEASE  
LATCH FOR  
EASY MOTOR  
ACCESS



Ideal for exhausting air from factories, offices, warehouses or commercial buildings. The ALX series spun aluminum exhaust fan can be used as either a roof top or wall mount exhaust fan.

**FEATURING PERFECT  
SPEED EC MOTORS - UP TO  
82% EFFICIENCY**

**ENERGY SAVINGS OF UP  
TO 70% OVER REGULAR  
DUTY PSC MOTORS**



## FEATURES

- Spun aluminum housing will not rust, chip or peel.
- Aluminum backward inclined wheel is non-overloading.
- Available with PSC or EC Motors
- Variable speed PSC Motors available on ALX 090/105/120/135
- All motors are 1 Phase 120/240V operation and can be operated at 50 or 60 Hz.
- All units can be wall mounted.
- Quick release latches for easy motor access on ALX135 – ALX165.

## EC MOTORS

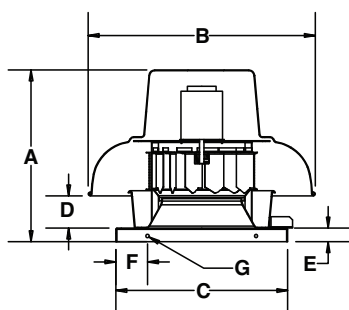
- EC motors offer true variable speed operation and up to 70% energy savings over PSC motors.
- On-board speed adjustment allows simple setup and balancing with LED display.
- Can be controlled remotely up to 50' using a remote mount potentiometer or 0-10V.

## DIMENSIONS

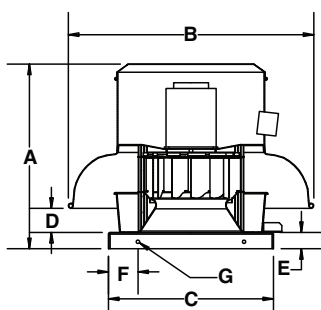
MODEL	DIMENSIONS (INCHES)										WEIGHT (lbs)
	A	B	C	C2	D	E	F	G Ø	Wheel Diameter	Roof Opening	
ALX090-DD	14.5	20.75	19	-	-	2	-	-	9	13	30
ALX105-DD	18.00	25.00	19.00	21.00	2.50	1.50	3.50	0.38	10.50	15.00	33
ALX120-DD	19.00	25.00	19.00	21.00	3.50	1.50	3.50	0.38	12.25	15.00	35
ALX135-DD	22.25	31.25	21.00	24.75	3.13	2.00	3.75	0.44	13.50	17.00	51
ALX150-DD	23.13	31.25	21.00	24.75	3.75	2.00	3.75	0.44	15.00	17.00	56
ALX165-DD	27.13	36.25	24.75	28.00	5.00	2.00	4.00	0.44	16.50	20.75	100
ALX180-DD*	31.75	36.25	28.00	24.75	5.50	2.00	4.00	0.44	18.25	20.75	114
ALX210-DD*	36.25	43.75	33.13	40.00	5.25	2.50	4.00	0.44	21.00	29.00	176

\*EC motor option only

ALX105 / 120 - DD



ALX135 / 150 / 165 / 180 - DD



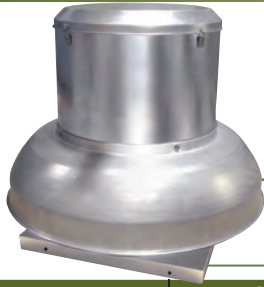
## OPTIONS & ACCESSORIES

- Motorized damper
- Gravity (automatic) damper
- Wall mount bracket (for all sizes up to 24")
- Bird screen
- Curb hinge
- Disconnect switches
- Roof Curbs
- MC series solid state variable speed controls (ALX 150/120 and 135)
- Remote mount potentiometer (available soon - EC models)
- Other base (curb cap) options available. See C2 in dimensions table.



Canarm certifies that the ALX-DD Series shown herein are licensed to bear the AMCA Seal. The ratings shown are based on tests and procedures performed in accordance with AMCA Publications 211 & 311 and comply with the requirements of the AMCA Certified Ratings Programme.

The AMCA certified ratings seal applies to air and sound performance only. The ALX-DD Series shown herein are not approved by AMCA for FEI ratings.



# ALX-DD & ALX-DD-EC SERIES - DOWNBLAST DIRECT DRIVE SPUN ALUMINUM EXHAUSTERS

## PERFORMANCE SPECIFICATIONS & CFM RATINGS

Model	Motor			Airflow (CFM) @ Static Pressure															
	HP	Variable Speed	Max RPM	0.0"		.25"		.5"		.75"		1.00"		1.25"		1.5"		1.75"	
				High	Low	High	Low	High	Low	High	Low	High	Low	High	Low	High	Low	High	Low
ALX090-DD008V	1/12	Y	1650	500	250	425	100	300	100	-	-	-	-	-	-	-	-	-	-
ALX105-DD013V	1/8	Y*	1650	950	526	875	451	760	225	-	-	-	-	-	-	-	-	-	-
ALX105-DD033EC	1/3	Y	1800	1100	239	1003	335	877	396	729	460	486	486	-	-	-	-	-	-
ALX120-DD033V	1/3	Y*	1650	1300	977	1200	901	1000	751	800	601	600	451	-	-	-	-	-	-
ALX120-DD033EC	1/3	Y	1700	1544	341	1406	400	1279	436	1095	438	810	472	-	-	-	-	-	-
ALX120-DD050EC	1/2	Y	1800	1610	341	1477	400	1357	436	1201	438	955	472	571	484	-	-	-	-
ALX135-DD050V	1/2	Y	1650	1950	-	1900	-	1800	-	1650	-	1550	-	1400	-	1300	-	-	-
ALX135-DD033EC	1/3	Y	1350	1578	414	1469	494	1341	574	1194	750	1009	865	-	-	-	-	-	-
ALX135-DD050EC	1/2	Y	1550	1843	414	1747	494	1645	574	1530	750	1405	865	1258	919	-	-	-	-
ALX135-DD075EC	3/4	Y	1800	2150	414	2075	494	2000	574	1900	750	1700	865	1600	919	1450	977	-	-
ALX150-DD100S	1	N	1650	2600	-	2500	-	2400	-	2250	-	2075	-	1950	-	1775	-	-	-
ALX150-DD033EC	1/3	Y	1250	2000	570	1800	499	1525	633	1225	812	-	-	-	-	-	-	-	-
ALX150-DD050EC	1/2	Y	1200	2133	570	2003	499	1842	633	1640	812	1430	866	1175	879	-	-	-	-
ALX150-DD075EC	3/4	Y	1480	2700	570	2550	499	2350	633	2100	812	1925	866	1700	879	1420	1072	-	-
ALX150-DD100EC	1	Y	1700	2950	570	2800	499	2625	633	2450	812	2250	866	2050	879	1850	1072	2575	1116
ALX165-DD150S	1 1/2	N	1650	3500	-	3400	-	3200	-	3100	-	2900	-	2700	-	2600	-	2100	-
ALX165-DD033EC	1/3	Y	1100	2264	860	2034	825	1787	1044	1470	1194	-	-	-	-	-	-	-	-
ALX165-DD050EC	1/2	Y	1250	2529	860	2328	825	2115	1044	1861	1194	1568	1320	-	-	-	-	-	-
ALX165-DD075EC	3/4	Y	1450	2909	860	2731	825	2546	1044	2362	1194	2132	1320	1879	1441	-	-	-	-
ALX165-DD100EC	1	Y	1600	3250	860	3100	825	3000	1044	2850	1194	2650	1320	2500	1441	2350	1545	-	-
ALX180-DD100EC	1	Y	1200	3800	1300	3625	1380	3325	1450	3000	1550	2650	1650	2200	1750	-	-	-	-
ALX210-DD100EC	1	Y	900	4400	1800	4000	1825	3600	1875	3200	1900	2400	1925	-	-	-	-	-	-

EC motors can be controlled using the built in potentiometer on motor or by using a 0 to 10 V controller, or by a remote potentiometer.

\* Using MC5 (for 115V or MC5-230 (for 230V)

\*\* Using MC10 (for 115V or MC5-230 (for 230V)

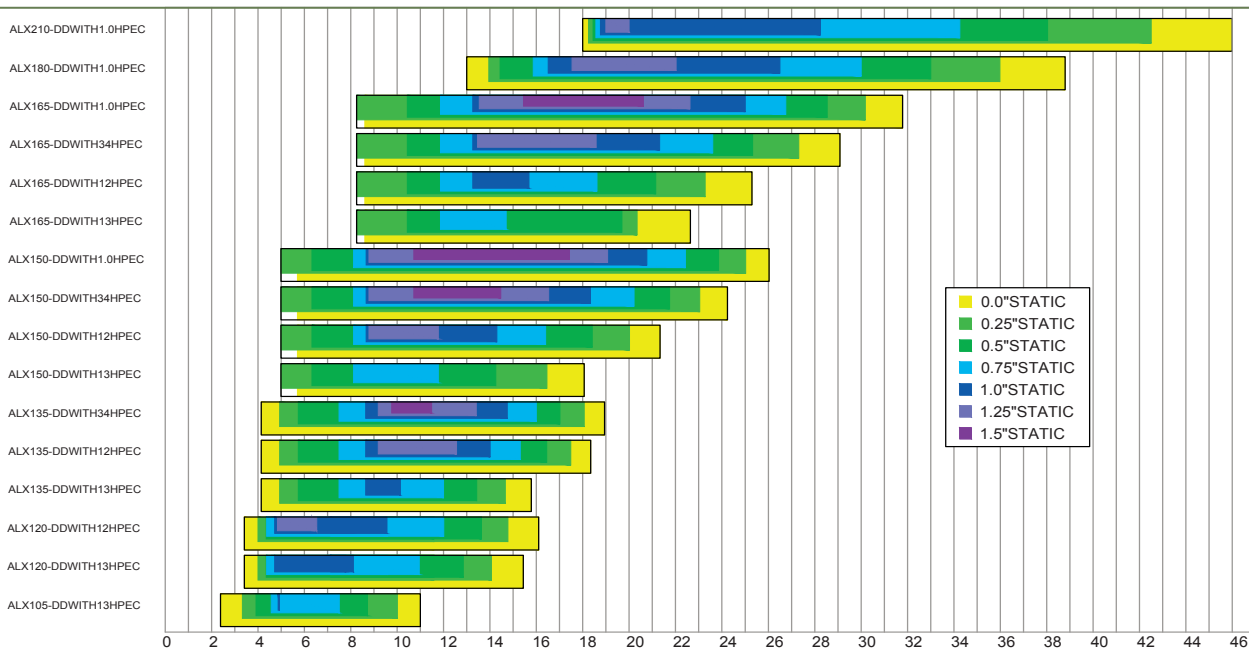
Minimum motor speed 425 RPM (EC Models)

Model	Motor			Airflow (CFM) @ Static Pressure															
	HP	Variable Speed	Max RPM	0" SP		1/4" SP		1/2" SP		3/4" SP		1" SP		1-1/4" SP		1-1/2" SP		1-3/4" SP	
				CFM	FEI	CFM	FEI	CFM	FEI	CFM	FEI	CFM	FEI	CFM	FEI	CFM	FEI	CFM	FEI
ALX150-DD100S	1	N	1650	2600	0.58	2500	0.85	2400	1.08	2250	1.28	2075	1.43	1950	1.57	1775	1.66	-	-
ALX150-DD100EC	1	Y	1700	2950	0.64	2800	0.92	2625	1.16	2450	1.37	2250	1.52	2050	1.64	1850	1.71	2575	2.5
ALX165-DD100EC	1	Y	1600	3250	0.55	3100	0.79	3000	1.03	2850	1.23	2650	1.38	2500	1.52	2350	1.65	-	-
ALX180-DD100EC	1	Y	1200	3800	0.51	3625	0.75	3325	0.93	3000	1.07	2650	1.15	2200	1.15	-	-	-	-
ALX210-DD100EC	1	Y	900	4400	0.63	4000	0.89	3600	1.08	3200	1.22	2400	1.15	-	-	-	-	-	-

Consult our Delair fan selection software for fan curves and performance data.

[www.canarm.com/delair](http://www.canarm.com/delair)

## ALX DOWNBLAST SERIES AIRFLOW RANGE WITH EC MOTORS





# ALX-DB SERIES - DOWNBLAST BELT DRIVE SPUN ALUMINUM EXHAUSTERS

Ideal for exhausting air from factories, offices, warehouses or commercial buildings. The ALX series spun aluminum exhaust fan can be used as either a roof top or wall mount exhaust fan.

## FEATURES

- Spun aluminum housing will not rust, chip or peel.
- Aluminum backward inclined wheel is non-overloading.
- Belt drive
- For motor options consult our fan selection software Delair. [www.canarm.com/delair](http://www.canarm.com/delair)
- Units up to 24" (max 2HP) can be wall mounted.
- Quick release latches for easy motor access.
- Standard bird screen.



## OPTIONS & ACCESSORIES

- Motorized damper
- Gravity (automatic) damper
- Wall mount bracket (for all sizes up to 24")
- Roof curb
- Disconnect switch
- Hinge kits
- VFD for 3 phase motors
- Other base (curb cap) options available. See C2 in dimensions table.



QUICK RELEASE LATCH FOR EASY MOTOR ACCESS

## DIMENSIONS

**NOTE: DUE TO MOTOR MANUFACTURERS VARIANCES IN DESIGN, PLEASE SEE USER MANUAL FOR MOTOR DIMENSIONAL GUIDELINES.**

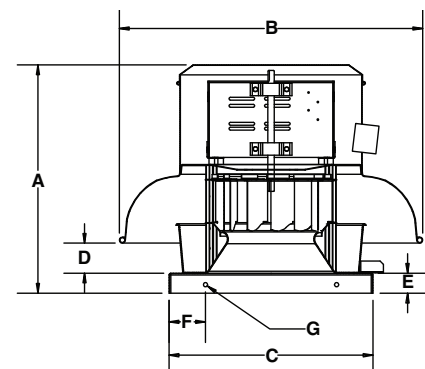
MODEL	DIMENSIONS (INCHES)											WEIGHT (lbs) without motors
	A	B	C	C2	D	E	F	G Ø	Shaft Size	Wheel Diameter	Roof Opening	
ALX135-DB	25.25	31.25	21.00	24.75	3.13	2.00	3.75	0.44	3/4"	13.50	17.00	41
ALX150-DB	26.13	31.25	21.00	24.75	3.75	2.00	3.75	0.44	3/4"	15.00	17.00	43
ALX165-DB	31.13	36.25	24.75	28.00	5.00	2.00	4.00	0.44	3/4"	16.50	20.75	106
ALX180-DB	31.75	36.25	28.00	24.75	5.50	2.00	4.00	0.44	3/4"	18.25	20.75	114
ALX210-DB	36.25	43.75	33.13	40.00	5.25	2.50	4.00	0.44	1"	21.25	29.00	176
ALX245-DB	37.00	43.75	33.13	40.00	5.88	2.50	4.00	0.44	1"	24.50	29.00	181

Note: Net weights for belt drive units do not include motor & drives.



Canarm certifies that the ALX-DB Series shown herein are licensed to bear the AMCA Seal. The ratings shown are based on tests and procedures performed in accordance with AMCA Publications 211 & 311 and comply with the requirements of the AMCA Certified Ratings Programme.

The AMCA certified ratings seal applies to air and sound performance only. The ALX-DB Series shown herein are not approved by AMCA for FEI ratings.





# ALX-DB SERIES - DOWNBLAST BELT DRIVE SPUN ALUMINUM EXHAUSTERS

## PERFORMANCE SPECIFICATIONS

### ALX DB WITH MOTORS & DRIVES and wired disconnect

Single Phase	RPM Range	HP	RPM	Values @ 0.5" SP		0" SP		0.25" SP		0.5" SP		0.75" SP		1" SP		1.25" SP		1.5" SP		
				BHP	Sones	CFM	FEI	CFM	FEI	CFM	FEI	CFM	FEI	CFM	FEI	CFM	FEI	CFM	FEI	CFM
ALX135DBT10025**	862-1293	1/4	1091	0.18	9.6	1303	-	1162	-	967	-	-	-	-	-	-	-	-	-	-
ALX135DBT10033**	932-1398	1/3	1255	0.27	12.9	1498	-	1383	-	1226	-	1050	-	-	-	-	-	-	-	-
ALX135DBT10050**	1121 - 1552	1/2	1441	0.4	16.3	1722	-	1623	-	1501	-	1351	-	1191	-	-	-	-	-	-
ALX150DBT10050**	932-1398	3/4	1185	0.35	16.6	1856	-	1708	-	1497	-	1143	-	-	-	-	-	-	-	-
ALX150DBT10075**	1078-1617	3/4	1401	0.56	23	2196	-	2072	-	1920	-	1732	-	1548	-	1297	-	-	-	-
ALX150DBT10100	1340-1820	1	1515	0.7	26	2376	0.47	2264	0.68	2132	0.86	1964	0.99	1792	1.10	1604	1.17	1353	1.16	-
ALX165DBT10100	1097-1489	1	1249	0.61	21	2600	0.57	2509	0.83	2300	1.03	2089	1.18	1828	1.26	1427	1.21	-	-	-
ALX165DBT10150	1254-1646	1.5	1455	0.94	26	3100	0.43	2993	0.64	2800	0.80	2630	0.95	2427	1.06	2204	1.14	1980	1.18	-
ALX180DBT10100	980-1293	1	1111	0.83	21	3682	0.56	3420	0.80	3090	0.99	2706	1.10	2239	1.12	-	-	-	-	-
ALX180DBT10200	1097-1489	2	1242	1.14	27	4089	0.45	3878	0.65	3605	0.82	3296	0.95	3966	1.32	2526	1.05	1936	0.96	-
ALX210DBT10150	862-1132	1.5	977	1.12	19.3	4860	0.53	4551	0.77	4104	0.94	3570	1.04	2920	1.05	-	-	-	-	-
ALX245DBT10150	673-889	1.5	800	1.38	19.4	5910	0.51	5415	0.73	4759	0.88	4068	0.96	3170	0.93	-	-	-	-	-
ALX245DBT10200	745-979	2	871	1.76	23	6428	0.44	5979	0.63	5404	0.77	4794	0.87	4080	0.91	-	-	-	-	-
ALX245DBT10300	862-1132	3	973	2.44	27	7188	0.36	6797	0.53	6313	0.67	5761	0.77	5231	0.85	4563	0.88	3769	0.85	-
<b>Three Phase</b>																				
ALX150DBT30100*	1340-1820	1	1515	0.7	26	2376	0.47	2264	0.68	2132	0.86	1964	0.99	1792	1.10	1604	1.17	1353	1.16	-
ALX165DBT30100*	1097-1489	1	1249	0.61	21	2600	0.57	2509	0.83	2300	1.03	2089	1.18	1828	1.26	1427	1.21	-	-	-
ALX165DBT30150*	1254-1646	1.5	1455	0.94	26	3100	0.43	2993	0.64	2800	0.80	2630	0.95	2427	1.06	2204	1.14	1980	1.18	-
ALX180DBT30100*	980-1293	1	1111	0.83	21	3682	0.56	3420	0.80	3090	0.99	2706	1.10	2239	1.12	-	-	-	-	-
ALX180DBT30200*	1097-1489	2	1242	1.14	27	4089	0.45	3878	0.65	3605	0.82	3296	0.95	3966	1.32	2526	1.05	1936	0.96	-
ALX210DBT30150*	862-1132	1.5	977	1.12	19.3	4860	0.53	4551	0.77	4104	0.94	3570	1.04	2920	1.05	-	-	-	-	-
ALX245DBT30150*	673-889	1.5	800	1.38	19.4	5910	0.51	5415	0.73	4759	0.88	4068	0.96	3170	0.93	-	-	-	-	-
ALX245DBT30200*	745-979	2	871	1.76	23	6428	0.44	5979	0.63	5404	0.77	4794	0.87	4080	0.91	-	-	-	-	-
ALX245DBT30300*	862-1132	3	973	2.44	27	7188	0.36	6797	0.53	6313	0.67	5761	0.77	5231	0.85	4563	0.88	3769	0.85	-

\*\* 115V only. All other motors will be wired at high voltage.

\*For three phase motors, substitute "\*\*" with "M" for 230/460 volt (wired for 460V) or "P" for 575 volt

UL705 = 1Ø Only

### ALX DB WITHOUT MOTORS & DRIVES

MODEL	MIN HP	MAX HP	MAX RPM	TYPICAL MAXIMUM CFM @ SP																	
				0"		0.25"		0.5"		0.75"		1"		1.25"		1.5"		2"		2.25"	
				CFM	FEI	CFM	FEI	CFM	FEI	CFM	FEI	CFM	FEI	CFM	FEI	CFM	FEI	CFM	FEI	CFM	FEI
ALX135-DB		3/4	1800	2200	0.41	2100	0.59	2000	0.74	1800	0.91	1700	0.98	1500	1.09	1400	1.13	1000	1.07	-	-
ALX150-DB	1/4	1	1800	2600	0.38	2500	0.53	2300	0.68	2200	0.77	2000	0.87	1800	0.94	1600	0.98	1200	0.93	800	0.84
ALX165-DB	1/4	2	1800	3700	0.32	3600	0.46	3500	0.58	3300	0.71	3200	0.78	3000	0.87	2900	0.91	2600	1.00	2400	1.02
ALX180-DB	1/4	2	1500	4200	0.35	4100	0.48	3900	0.61	3700	0.71	3500	0.80	3300	0.86	3100	0.91	2500	0.97	2100	0.96
ALX210-DB	1/2	3	1300	5700	0.34	5700	0.47	5500	0.59	5200	0.70	4900	0.79	4500	0.87	4100	0.93	2900	0.94	1800	0.89
ALX245-DB	1/2	5	1200	8800	0.25	8500	0.37	8200	0.46	7800	0.55	7300	0.63	6900	0.69	6500	0.74	5400	0.80	4700	0.82

Consult our Delair fan selection software for fan curves and performance data.  
Download Delair at [www.canarm.com/delair](http://www.canarm.com/delair)

\* Motor adaptor plate required for 3HP+



View FEI charts  
[canarm.com/fei-alc](http://canarm.com/fei-alc)



# RTA-SH - SMOKE & HEAT REMOVAL BELT DRIVE ROOF EXHAUSTERS

Belt drive, heavy duty construction ideal for industrial & commercial applications.



RTA-SH model suitable for normal use in clean, dry air with a maximum ambient temperature of 93° C (200° F).

RTA-SH is designed to exhaust smoke in the event of a fire. It is in compliance with smoke control systems requirements of 500°F for 4 hours and 1000°F for 15 minutes. Two spring loaded arms are released when temperatures reach above 165°F to force open the dampers.

## SPECIFICATIONS

To order RWTA models, replace "RTA" with "RWTA" in the table below.

BLADE DIAMETER	MODEL #		FAN RPM	H.P.	0" S.P.		1/4" S.P.		1/2" S.P.		3/4" S.P.		1" S.P.		Min. CFM	dBA @ 10Ft.
	SINGLE PHASE	THREE PHASE			CFM	BHP	CFM	BHP	CFM	BHP	CFM	BHP	CFM	BHP		
42"	RTA42SHT10200	RTA42SHT30200*	770	2	19920	1.65	15080	1.80	-	-	-	-	-	-	14000	61
	RTA42SHT10300	RTA42SHT30300*	895	3	22840	2.60	19620	2.80	14940	2.9	-	-	-	-	14000	65
	RTA42SHT10500	RTA42SHT30500*	1005	5	25980	3.66	23230	3.89	19980	4.01	-	-	-	-	14000	67
	RTA42SHT10750	RTA42SHT30750*	1205	7.5	31520	6.26	29530	6.54	27040	6.78	24230	6.89	20270	7.07	14000	72
	RTA42SHT11000	RTA42SHT31000*	1335	10	35170	8.49	33410	8.76	31270	9.08	29020	9.32	26230	9.39	14000	75
48"	RTA48SHT10300	RTA48SHT30300*	745	3	24330	2.55	20510	2.76	-	-	-	-	-	-	18000	63
	RTA48SHT10500	RTA48SHT30500*	885	5	29440	4.10	26370	4.46	22380	4.72	-	-	-	-	18000	67
	RTA48SHT10750	RTA48SHT30750*	1005	7.5	33850	5.93	31080	6.47	28330	6.81	24740	6.96	-	-	18000	71
	RTA48SHT11000	RTA48SHT31000*	1105	10	37270	7.89	34760	8.54	32520	8.99	29760	9.11	26140	9.29	18000	73
	--	RTA48SHT31500*	1265	15	42900	11.70	40860	12.30	38790	13.13	36270	13.54	34290	13.66	18000	76
54"	RTA54SHT10500	RTA54SHT30500*	710	5	37130	4.26	31680	4.67	-	-	-	-	-	-	23000	68
	RTA54SHT10750	RTA54SHT30750*	810	7.5	42890	6.20	38660	6.85	33210	6.99	25390	6.87	-	-	23000	71
	RTA54SHT11000	RTA54SHT31000*	905	10	48450	8.54	44640	9.41	40140	9.73	34980	9.78	27220	9.53	23000	74
	--	RTA54SHT31500*	1025	15	55520	12.10	52110	12.92	48280	13.81	44310	14.17	39660	14.22	23000	78

## FEATURES

- TEFC, ball bearing motor is out of air stream and is accessible from the roof
- Galvanized steel wind-band and rain-proof butterfly dampers.
- Heavy duty pulleys and belts out of air stream

## HIGH HEAT FEATURES

- Heavy gauge steel prop
- High heat cast iron pillow block bearings (out of air stream), complete with external grease fittings
- 500° F for 4 hours and 1000° F for 15 minutes
- Arms rated for snow load of 10 lbs/ft<sup>2</sup>

## DIMENSIONS

MODEL #	A Dia.	B Dia.	C Sq.	D	E	F	G
RTA-SH42	42 3/8"	48 5/8"	48"	2 1/2"	2	27	27
RTA-SH48	48 1/2"	54 5/8"	54"	2 1/2"	2	30	31
RTA-SH54	54 1/2"	60 5/8"	60"	2 1/2"	2	36	40

For three phase motors, substitute "\*" with "M" for 230/460 volt (If 208V required please specify) or "P" for 575 volt

BHP does not include drive losses

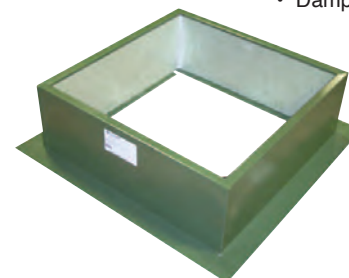
dBA ratings shown are measured at 0" static pressure and should be used as a guideline only

## ACCESSORIES

### RC ROOF CURB

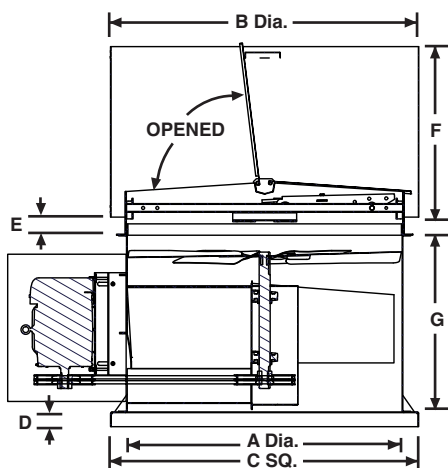
- For Canarm Roof Exhaust fans.
- Sturdy powder coated, 16 gauge steel.
- 3" flanges
- 1" SM insulation
- Damper shelf

FAN SIZE	MODEL NUMBER
42"	RC42
48"	RC48
54"	RC54



### DISCONNECT SWITCHES

- Wire disconnect switches are available. See Controls & Thermostats section for details.



Roof Exhausters are non-stock items and are non-cancelable and non-refundable without prior authorization.



# RTA - BELT DRIVE ROOF EXHAUSTERS

Belt drive, heavy duty construction ideal for industrial & commercial applications.

## SPECIFICATIONS To order RWTA models, replace "RTA" with "RWTA" in the table below.



**RTA** model suitable for use in clean, dry air with a maximum ambient temperature of 93° C (200° F).

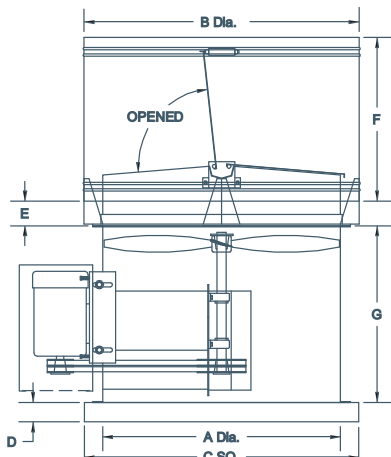
**RWTA** models are suitable for use in moisture laden air with a maximum ambient temperature of 93° C (200° F). They feature a Teflon shaft seal, poly housing bearings and stainless steel insert.

## FEATURES

- TEFC, ball bearing motor is out of air stream and is accessible from the roof, maximum ambient temperature of 40° C (104° F).
- Galvanized steel wind-band and rain-proof butterfly dampers.
- Cast iron pillow block bearings (out of air stream), complete with external grease fittings.
- Cast aluminum blades on 12" to 48" sizes.
- Polypropylene blades reinforced with fiberglass on 54" to 60" sizes.
- Heavy duty pulleys and belts out of air stream

## DIMENSIONS

MODEL #	A Dia.	B Dia.	C Sq.	D	E	F	G
<b>RTA18</b>	18 3/8"	24 5/8"	24"	2 1/2"	2	17	18
<b>RTA24</b>	24 3/8"	30 5/8"	30"	2 1/2"	2	19	21
<b>RTA30</b>	30 3/8"	36 5/8"	36"	2 1/2"	2	23	21
<b>RTA36</b>	36 3/8"	42 5/8"	42"	2 1/2"	2	25	27
<b>RTA42</b>	42 3/8"	48 5/8"	48"	2 1/2"	2	27	27
<b>RTA48</b>	48 1/2"	54 5/8"	54"	2 1/2"	2	30	31
<b>RTA54</b>	54 1/2"	60 5/8"	60"	2 1/2"	2	36	40
<b>RTA60</b>	60 1/2"	66 5/8"	68"	2 1/2"	2	36	40



**Roof Exhausters are non-stock items and are non-cancelable and non-refundable without prior authorization.**



BLADE DIAMETER	MODEL #		FAN RPM	H.P.	0" S.P.		1/4" S.P.		1/2" S.P.		3/4" S.P.		1" S.P.		Min. CFM	dBA @ 10FT.
	SINGLE PHASE	THREE PHASE			CFM	BHP	CFM	BHP	CFM	BHP	CFM	BHP	CFM	BHP		
18"	RTA18T10075A	RTA18T30075A*	1556	3/4	3930	0.40	3540	0.45	2830	0.49	-	-	-	-	2600	59
	RTA18T10075B	RTA18T30075B*	1785	3/4	4530	0.58	4210	0.65	3780	0.73	-	-	-	-	2600	62
	RTA18T10100	RTA18T30100*	1920	1	4890	0.72	4610	0.79	4250	0.86	3680	0.94	-	-	2600	64
	RTA18T10150	RTA18T30150*	2255	1.5	5790	1.15	5550	1.23	5300	1.76	4990	1.40	4530	1.49	2600	68
	RTA18T10200	RTA18T30200*	2510	2	6490	1.59	6280	1.68	6030	1.76	5960	1.86	5510	1.96	2600	72
24"	RTA24T10075	RTA24T30075*	1180	3/4	6325	0.64	5360	0.70	-	-	-	-	-	-	4700	58
	RTA24T10100	RTA24T30100*	1295	1	7020	0.84	6180	0.91	5020	0.96	-	-	-	-	4700	61
	RTA24T10150	RTA24T30150*	1475	1.5	8090	1.22	7390	1.32	6550	1.38	5380	1.42	-	-	4700	65
	RTA24T10200	RTA24T30200*	1620	2	8960	1.60	8330	1.71	7620	1.79	6740	1.86	5460	1.88	4700	67
	RTA24T10300	RTA24T30300*	1890	3	10670	2.49	10060	2.63	9460	2.79	8910	2.84	8240	2.94	4700	72
	RTA30T10100	RTA30T30100*	965	1	10050	0.86	8100	0.92	-	-	-	-	-	-	7300	59
	RTA30T10150	RTA30T30150*	1095	1.5	11650	1.26	10130	1.34	7860	1.37	-	-	-	-	7300	62
30"	RTA30T10200	RTA30T30200*	1225	2	13170	1.74	11930	1.85	10210	1.92	-	-	-	-	7300	65
	RTA30T10300	RTA30T30300*	1380	3	14910	2.48	13930	2.60	12620	2.69	10980	2.74	8240	2.74	7300	67
	RTA30T10500	RTA30T30500*	1635	5	17850	4.08	17160	4.25	16100	4.38	14960	4.48	13570	4.58	7300	70
	RTA36T10200	RTA36T30200*	910	2	16650	1.80	13980	1.86	-	-	-	-	-	-	10000	63
36"	RTA36T10300	RTA36T30300*	1045	3	19220	2.72	17550	2.80	14440	2.8	-	-	-	-	10000	66
	RTA36T10500	RTA36T30500*	1245	5	23610	4.56	21780	4.68	19870	4.75	17380	4.75	12980	4.68	10000	71
	RTA36T10750	RTA36T30750*	1425	7.5	27110	6.81	25790	6.95	22410	7.09	22260	7.13	20080	7.13	10000	75
42"	RTA42T10200	RTA42T30200*	770	2	19920	1.65	15080	1.80	-	-	-	-	-	-	14000	61
	RTA42T10300	RTA42T30300*	895	3	22840	2.60	19620	2.80	14940	2.9	-	-	-	-	14000	65
	RTA42T10500	RTA42T30500*	1005	5	25980	3.66	23230	3.89	19980	4.01	-	-	-	-	14000	67
	RTA42T10750	RTA42T30750*	1205	7.5	31520	6.26	29530	6.54	27040	6.78	24230	6.89	20270	7.07	14000	72
	RTA42T11000	RTA42T31000*	1335	10	35170	8.49	33410	8.76	31270	9.08	29020	9.32	26230	9.39	14000	75
	RTA48T10300	RTA48T30300*	745	3	24330	2.55	20510	2.76	-	-	-	-	-	-	18000	63
	RTA48T10500	RTA48T30500*	885	5	29440	4.10	26370	4.46	22380	4.72	-	-	-	-	18000	67
48"	RTA48T10750	RTA48T30750*	1005	7.5	33850	5.93	31080	6.47	28330	6.81	24740	6.96	-	-	18000	71
	RTA48T11000	RTA48T31000*	1105	10	37270	7.89	34760	8.54	32520	8.99	29760	9.11	26140	9.29	18000	73
	--	RTA48T31500*	1265	15	42900	11.70	40860	12.30	38790	13.13	36270	13.54	34290	13.66	18000	76
54"	RTA54T10500	RTA54T30500*	710	5	37130	4.26	31680	4.67	-	-	-	-	-	-	23000	68
	RTA54T10750	RTA54T30750*	810	7.5	42890	6.20	38660	6.85	33210	6.99	25390	6.87	-	-	23000	71
	RTA54T11000	RTA54T31000*	905	10	48450	8.54	44640	9.41	40140	9.73	34980	9.78	27220	9.53	23000	74
60"	--	RTA54T31500*	1025	15	55520	12.10	52110	12.92	48280	13.81	44310	14.17	39660	14.22	23000	78
	RTA60T10750	RTA60T30750*	690	7.5	51240	6.45	45780	7.18	35770	7.09	-	-	-	-	29000	68
	RTA60T11000	RTA60T31000*	755	10	56770	8.48	51490	9.21	40470	9.43	31650	8.72	-	-	29000	70
--	RTA60T31500*	870	15	66320	12.52	61710	13.80	56720	14.43	49520	14.34	38320	13.51	29000	74	
--	RTA60T32000*	955	20	73090	16.62	68880	17.70	65690	18.78	59270	18.80	52250	18.83	29000	76	

For three phase motors, substitute "\*" with "M" for 230/460 volt (If 208V required please specify) or "P" for 575 volt  
BHP does not include drive losses  
dBA ratings shown are measured at 0" static pressure and should be used as a guideline only

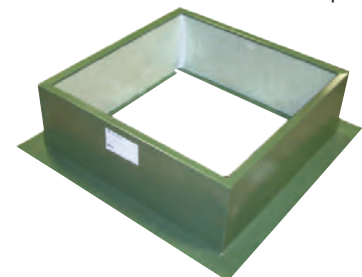
## ACCESSORIES

### RC ROOF CURB

- For Canarm Roof Exhaust fans.
- Sturdy powder coated, 16 gauge steel.

- 3" flanges
- 1" SM insulation
- Damper shelf

FAN SIZE	MODEL NUMBER
18"	RC18
24"	RC24
30"	RC30
36"	RC36
42"	RC42
48"	RC48
54"	RC54
60"	RC60



### DISCONNECT SWITCHES

- Wire disconnect switches are available.  
See Controls & Thermostats section for details.



# RD - DIRECT DRIVE ROOF EXHAUSTERS

Sturdily constructed - ideal for industrial and commercial applications.

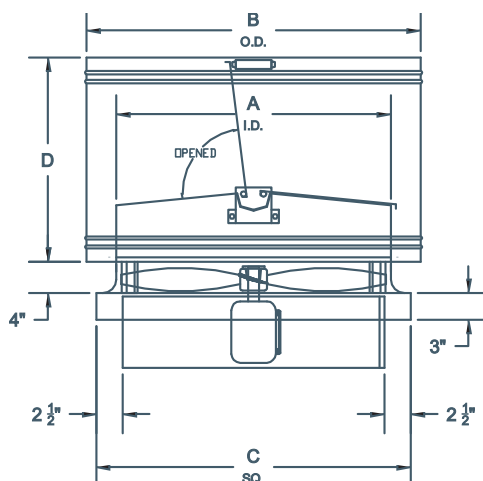


## FEATURES

- Heavy duty galvanized blades.
- Galvanized steel wind-band and rain-proof butterfly dampers that rotate easily on brass bushings.
- TEFC, ball bearing motor is in the air stream, within the building, maximum ambient temperature of 40°C (104°F).
- Not recommended for dirty or dust laden applications.

## DIMENSIONS

MODEL #	A I.D.	B O.D.	C SQ.	D
RD24	25"	31 1/2"	29 1/2"	19"
RD30	31"	37 1/2"	35 1/2"	22"
RD36	37"	43 1/2"	41 1/2"	25"
RD42	43"	49 1/2"	47 1/2"	27"
RD48	49"	55 1/2"	53 1/2"	30"



## SPECIFICATIONS

BLADE DIAMETER	MODEL #		FAN RPM	H.P.	0" S.P.		1/8" S.P.		1/4" S.P.		3/8" S.P.		Min. CFM	dBA @ 10 Ft.
	SINGLE PHASE	THREE PHASE			CFM	BHP	CFM	BHP	CFM	BHP	CFM	BHP		
	24"	RD24T10075C	RD24T30075C*	1140	3/4	6549	0.74	6017	0.78	5527	0.83	-	-	4700
24"	RD24T10100B	RD24T30100B*	1725	1	6761	0.89	6453	0.93	6128	1.00	5792	1.09	4700	81
	RD24T10300B	RD24T30300B*	1725	3	9909	2.57	9558	2.62	9207	2.68	8886	2.75	4700	84
30"	--	RD30T30150C*	1140	1.5	11600	1.31	10925	1.40	10193	1.49	9127	1.59	7300	79
	RD30T10500B	RD30T30500B*	1725	5	17552	4.53	17106	4.66	16661	4.80	16215	4.94	7300	90
36"	--	RD36T30200D*	860	2	16364	1.87	15172	1.99	13864	2.08	11597	2.15	10000	80
	--	RD36T30500C*	1140	5	21692	4.35	20793	4.52	19893	4.69	18903	4.80	10000	88
42"	--	RD42T30500C*	1140	5	23209	3.04	22619	3.29	21962	3.52	21019	3.70	14000	85
	--	RD42T30750C*	1140	7.5	32476	7.70	31490	7.70	30518	7.76	29586	8.02	14000	88
48"	--	RD48T30750D*	860	7.5	35654	5.93	33411	6.06	31857	6.34	30219	6.62	18000	89
	--	RD48T30750C*	1140	7.5	32564	4.95	31677	5.35	30688	5.68	29636	5.99	18000	92

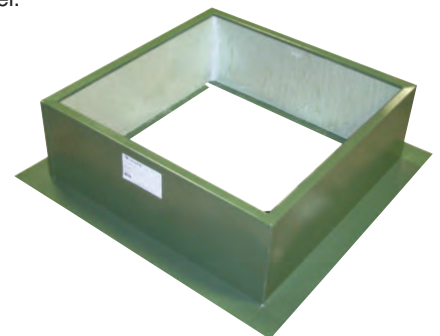
For three phase motors, substitute "\*" with "M" for 230/460 volt (if 208V required please specify) or "P" for 575 volt BHP does not include drive losses  
dBA ratings shown are measured at 0" static pressure and should be used as a guideline only

## ACCESSORIES

### RC ROOF CURB

- For Canarm Roof Exhaust fans.
- Sturdy powder coated, 16 gauge steel.
- 3" flanges
- 1" SM insulation
- Damper shelf

FAN SIZE	MODEL NUMBER
18"	RC18
24"	RC24
30"	RC30
36"	RC36
42"	RC42
48"	RC48
54"	RC54
60"	RC60



### DISCONNECT SWITCHES

- Wire disconnect switches are available.  
See Controls & Thermostats section for details.



Roof Exhausters are non-stock items and are non-cancelable and non-refundable without prior authorization.

# RB - BELT DRIVE ROOF EXHAUSTERS

Sturdily constructed belt drive roof exhausters ideal for industrial and commercial applications.

## SPECIFICATIONS

BLADE DIAMETER	MODEL #		FAN RPM	H.P.	0" SP		1/8" SP		1/4" SP		3/8" SP		MIN. CFM	Dba @ 5 Ft.
	SINGLE PHASE	THREE PHASE			CFM	BHP	CFM	BHP	CFM	BHP	CFM	BHP		
24"	RB24T10075	RB24T30075*	1090	3/4	6261	0.65	5706	0.68	5135	0.73	-	-	4700	72
	RB24T10100	RB24T30100*	1190	1	6836	0.84	6327	0.88	5893	0.93	5035	0.97	4700	74
	RB24T10150	RB24T30150*	1370	1.5	7870	1.29	7428	1.33	7018	1.38	6565	1.44	4700	78
	RB24T10200	RB24T30200*	1510	2	8674	1.72	8273	1.77	7876	1.82	7549	1.89	4700	81
30"	RB30T10075	RB30T30075*	875	3/4	8903	0.59	8019	0.66	-	-	-	-	7300	71
	RB30T10100	RB30T30100*	965	1	9819	0.79	9022	0.87	7951	0.96	-	-	7300	73
	RB30T10150	RB30T30150*	1005	1.5	11244	1.19	10548	1.28	9775	1.37	8605	1.47	7300	78
	RB30T10200	RB30T30200*	1220	2	12414	1.60	11783	1.70	11136	1.80	10285	1.91	7300	82
36"	RB30T10300	RB30T30300*	1405	3	14296	2.45	13749	2.56	13201	2.67	12588	2.79	7300	85
	RB36T10100	RB36T30100*	660	1	12559	0.84	10953	0.93	-	-	-	-	10000	72
	RB36T10150	RB36T30150*	750	1.5	14271	1.24	12898	1.35	11091	1.41	-	-	10000	75
	RB36T10200	RB36T30200*	835	2	15888	1.71	14661	1.84	13302	1.91	10747	1.97	10000	78
42"	RB36T10300	RB36T30300*	940	3	17886	2.44	16796	2.58	15636	2.69	14293	2.76	10000	83
	RB42T10200	RB42T30200*	685	2	19514	1.67	17906	1.73	16111	1.89	13318	1.97	14000	78
	RB42T10300	RB42T30300*	780	3	22220	2.47	20794	2.50	19341	2.68	17561	2.87	14000	83
	RB42T10500	RB42T30500*	925	5	26351	4.11	25136	4.11	23977	4.29	22681	4.51	14000	88
48"	RB42T10750	RB42T30750*	1080	7.5	30767	6.55	29726	6.55	28710	6.65	27726	6.89	14000	91
	RB48T10200	RB48T30200*	565	2	23424	1.68	20606	1.82	-	-	-	-	18000	77
	RB48T10300	RB48T30300*	640	3	26533	2.45	23933	2.59	21489	2.80	18256	2.97	18000	
	RB48T10500	RB48T30500*	745	5	30886	3.86	28495	4.00	26703	4.24	24279	4.48	18000	86
54"	RB48T10750	RB48T30750*	870	7.5	36068	6.14	33835	6.27	32299	6.55	30723	6.83	18000	90
	RB54T10300	RB54T30300*	530	3	30080	2.46	27332	2.58	24060	2.82	-	-	23000	79
	RB54T10500	RB54T30500*	625	5	35472	4.03	33139	4.21	30532	4.41	27599	4.72	23000	84
	RB54T10750	RB54T30750*	720	7.5	40863	6.16	38809	6.44	36754	6.52	34382	6.84	23000	88
60"	RB54T11000	RB54T31000*	795	10	45120	8.29	43236	8.67	41484	8.67	39344	8.99	23000	91
	RB60T10500	RB60T30500*	520	5	42969	4.22	38510	4.50	34050	4.78	-	-	29000	72
	RB60T10750	RB60T30750*	595	7.5	49167	6.32	45269	6.64	41372	6.96	35070	7.02	29000	87
	RB60T11000	RB60T31000*	650	10	53172	8.24	50144	8.59	46576	8.94	43008	9.28	29000	89
	--	RB60T31500*	745	15	61562	12.41	58449	12.80	55336	13.20	52223	13.60	29000	92

For three phase motors, substitute "\*" with "M" for 230/460 volt (if 208V required please specify) or "P" for 575 volt  
 BHP does not include drive losses  
 dBA ratings shown are measured at 0" static pressure and should be used as a guideline only

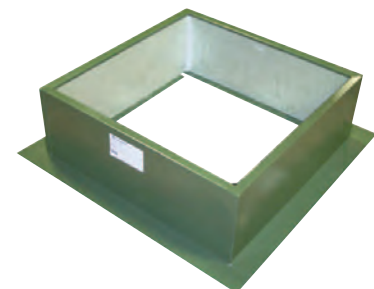
## ACCESSORIES

### RC ROOF CURB

- For Canarm Roof Exhaust fans.
- Sturdy powder coated, 16 gauge steel.
- 3" flanges

- 1" SM insulation
- Damper shelf

FAN SIZE	MODEL NUMBER
18"	RC18
24"	RC24
30"	RC30
36"	RC36
42"	RC42
48"	RC48
54"	RC54
60"	RC60



### DISCONNECT SWITCHES

- Wire disconnect switches are available.  
See Controls & Thermostats section for details.

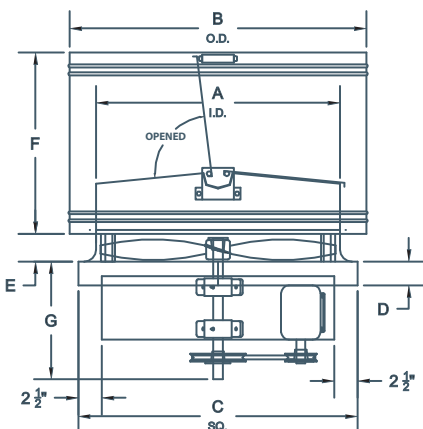


## FEATURES

- TEFC, ball bearing motor, maximum ambient temperature 40° C (104° F).
- Heavy duty galvanized blades.
- Galvanized steel wind-band and rain-proof butterfly dampers that rotate easily on brass bushings.
- Cast iron pillow block bearings.
- Heavy duty pulleys and belts.
- Not recommended for dirty or dust laden applications.

## DIMENSIONS

MODEL #	A Dia.	B Dia.	C Sq.	D	E	F	G (MAX.)
RB24	25"	31 1/2"	29 1/2"	3"	4"	19"	18 1/2"
RB30	31"	36 1/2"	35 1/2"	3"	4"	22"	18 1/2"
RB36	37"	43 1/2"	41 1/2"	3"	4"	25"	18 1/2"
RB42	43"	49 1/2"	47 1/2"	3"	4"	27"	18 1/2"
RB48	49"	55 1/2"	53 1/2"	3"	4"	30"	18 1/2"
RB54	55"	61 1/2"	59 1/2"	3"	4"	36"	21"
RB60	61"	70"	68"	2"	5"	42"	21"

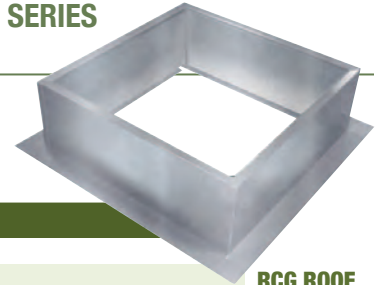


Roof Exhausters are non-stock items and are non-cancelable and non-refundable without prior authorization.

# ROOF CURBS

## GALVANIZED ROOF CURBS - NON-VENTED - FOR 300, 700, SIS, ALX, SB-SBRM & SD-SDUB SERIES (Non-vented) 18" High (RCG) or 12" High (RCGL)

- RCG are 18" high
- RCGL are 12" high
- 18 gauge galvanized steel construction
- 1 3/4" flanges
- Insulated curbs available (RCGI or RCGLI)
- Shipped fully assembled



**RCG ROOF CURB**

Part # (Non-Insulated)	Part # (Insulated)	Curb OD Dimension sq	Curb fits Models
RCG17.5 / RCGL17.5	RCGI17.5 / RCGLI17.5	17.5"	ALX105, ALX120, SD-SDUB-10, SD-SDUB-12
RCG18.5 / RCGL18.5	RCGI18.5 / RCGLI18.5	18.5"	307
RCG19.5 / RCGL19.5	RCGI19.5 / RCGLI19.5	19.5"	ALX135, ALX150, SB-SBRM-13, SD-SDUB-30, SD-SDUB-33, SD-SDUB-50, ALX105-C2, ALX120-C2
RCG22.5 / RCGL22.5	RCGI22.5 / RCGLI22.5	22.5"	309,709,SIS-09
RCG23.25 / RCGL23.25	RCGI23.25 / RCGLI23.25	23.25"	ALX165, SB-SBRM-15, SD-SDUB-85, ALX135-C2, ALX150-C2, ALX-180-C2
RCG26.5 / RCGL26.5	RCGI26.5 / RCGLI26.5	26.5"	ALX180, SIS-10, SB-SBRM-18, ALX165-C2
RCG30.5 / RCGL30.5	RCGI30.5 / RCGLI30.5	30.5"	312,712,715, SIS-12, SIG-12, SIG-15
RCG31.5 / RCGL31.5	RCGI31.5 / RCGLI31.5	31.5"	ALX210, ALX245, SB-SBRM-24
RCG34.5 / RCGL34.5	RCGI34.5 / RCGLI34.5	34.5"	315,718,SIS-15,SIS-18
RCG38.5 / RCGL38.5	RCGI38.5 / RCGLI38.5	38.5"	318, SB-SBRM-30, ALX210-C2, ALX245-C2, ALX300
RCG42.5 / RCGL42.5	RCGI42.5 / RCGLI42.5	42.5"	SIS-20, ALX360, SB-SBRM36

Please note Galvanized Curbs (RCG's) are for UL 705 only.

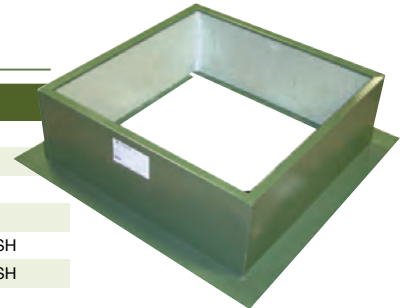
For UL762 the curb must be vented and be a minimum of 40" from roof to outlet - use RCGV curbs (below)

## ROOF CURBS FOR RTA, RB OR RD

- 16 gauge galvanized or painted steel construction
- RC are insulated, painted, with 3" flanges and damper shelf
- RCG are non-insulated, galvanized, with 1 3/4" flanges
- RCGI are insulated, galvanized, with 1 3/4" flanges
- All are 10 1/4" high
- Non-vented
- Shipped fully assembled

## ROOF CURBS FOR RTA, RB & RD SERIES (Non-vented) 10 1/4" High

Part # Painted	Part # Galv (Non-Insulated)	Part # Galv (Insulated)	Curb OD Dimension sq	Curb fits Models
RC18	RCG21.625	RCGI21.625	21.6"	RTA18
RC24	RCG29.125	RCGI29.125	29.1"	RTA-RB-RD24
RC30	RCG35.125	RCGI35.125	35.1"	RTA-RB-RD30
RC36	RCG41.125	RCGI41.125	41.1"	RTA-RB-RD36
RC42	RCG47.125	RCGI47.125	47.1"	RTA-RB-RD42-RTASH
RC48	RCG53.125	RCGI53.125	53.1"	RTA-RB-RD48-RTASH
RC54	RCG59.125	RCGI59.125	59.1"	RTA-RB54-RTASH
RC60	RCG67.125	RCGI67.125	67.1"	RTA-RB60



## VENTED ROOF CURBS FOR ALX, SB-SBRM & SD-SDUB

- UL762 requires vents and minimum 40" from roof to outlet
- Curb height varies to meet UL762 (see table below)
- RCGV are 18" high
- RCGVL are 12" high
- RCGVH vary to meet UL762
- 18 gauge galvanized steel construction
- 1 3/4" flanges
- Non-insulated
- Shipped fully assembled



**RCGV ROOF CURB**

## (Vented) RCGV ROOF CURBS FOR ALX, SB-SBRM & SD-SDUB SERIES

Part #	Part #	UL762 Curb Height	Curb OD Dimension sq	Curb fits Models
Vented 18" high (RCGV)	To meet UL762			
Vented 12" high (RCGVL)				
RCGV17.5 / RCGVL17.5	RCGVH17.5	27"	17.5"	A2X105, A2X120, ALX105, ALX120, SD-SDUB-10, SD-SDUB-12
RCGV19.5 / RCGVL19.5	RCGVH19.5	25"	19.5"	A2X135, A2X150, ALX135, ALX150, SB-SBRM-13, SD-SDUB-30, SD-SDUB-33, SD-SDUB-50, HRE-13, ALX105-C2, ALX105-C2
RCGV23.25 / RCGVL23.25	RCGV23.25	18"	23.25"	ALX165, SB-SBRM-15, SD-SDUB-85, HRE-16, ALX135-C2, ALX150-C2, ALX180-C2
	RCGVH23.5	21.5"	23.25"	A2X165
RCGV26.5 / RCGVL26.5	RCGV26.5	18"	26.5"	ALX180, SB-SBRM-18, HRE-20, ALX165-C2
	RCGVH26.6	20.5"	26.5"	A2X180
RCGV31.5 / RCGVL31.5	RCGV31.5	18"	31.5"	ALX210, ALX245, SB-SBRM-24, HRE-24
	RCGVH31.5	19"	31.5"	A2X210
RCGV38.5 / RCGVL38.5	RCGV38.5	18"	38.5"	SB-SBRM-30, AXL210-C2, ALX245-C2, ALX300



# WALL MOUNT VENTILATION

**D1 XBL SERIES**  
Belt Drive Wall Fans



**D2 XB SERIES**  
Belt Drive Wall Fans



**D3 SXB SERIES**  
Belt Drive Wall Supply Fans



**D4 HV SERIES**  
Belt Drive Wall Exhaust Fans



**D5 HVA SERIES**  
Belt Drive Wall Exhaust Fans



**D6 ADD SERIES**  
Direct Drive Wall Fans



**D7 DDP SERIES**  
Direct Drive Wall Fans



**D8 DDS SERIES**  
Direct Drive Wall Fans



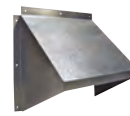
**D9** Wall Exhaust Fans & Venturi Dimensions for standard fans



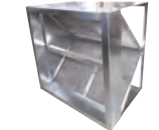
**D10** Options & Accessories



**D11** Hoods



**D12** Filter Section for Wall Intake & Exhaust Fan



**D13 AX SERIES**  
Shutter Mounted Fans



**D14 AX-EC SERIES**  
Shutter Mounted Fans with EC Motors



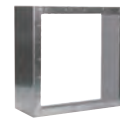
**D15 P SERIES**  
Panel Mounted Fans



**D16 P SERIES**  
Supply Fans



**D17** Accessories for AX & P series fans



**D18 SD SERIES**  
Standard Wall Exhaust Fans



**D20 SD-EC SERIES**  
Standard Wall Exhaust Fans with EC motors



**D21 SD-XPF SERIES**  
Explosion Proof Standard Wall Exhaust Fans



**D22 XFS SERIES**  
Exhaust Shutter Fans



**D24 GSF SERIES**  
Galvanized Shutter Fan



**D25 ALX UD/EC SERIES**  
Upblast Direct Drive Spun Aluminum Exhausters



**D27 ALX UB SERIES**  
Upblast Belt Drive Spun Aluminum Exhausters



**D29 ALX DD/EC SERIES**  
Downblast Direct Drive Spun Aluminum Exhausters



**D31 ALX DB SERIES**  
Downblast Belt Drive Spun Aluminum Exhausters



**D33 VCN SERIES**  
Exterior Wall Mounted Centrifugal Fan



**D34 OV1 SERIES**  
Axial Fans



**D35 LD SERIES**  
Axial Fans



**D36 MA SERIES**  
Axial Fans

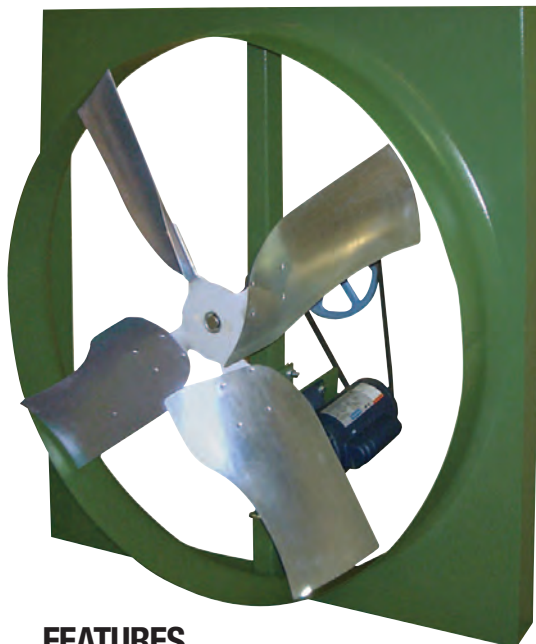






# XBL - BELT DRIVE WALL FANS

Economy commercial and light duty industrial exhaust fans.  
Ideal for Factories, Warehouses, Gymnasiums, Greenhouses, etc.



XBL series fans are typically used for low pressure applications with little or no duct work.

The XBL series is constructed for efficient, economical operation and are designed to be used primarily as exhaust fans.



HEAVY STEEL POST MOUNT

## FEATURES

- Available in 24", 30", 36", 42" and 48" blade diameters
- Heavy gauge steel fan panel with deep spun orifice and flared venturi to maximize efficiency.
- Heavy steel post Motor mount with "U" clamp motor mount/belt tensioner.
- ODP motors are standard.
- Durable baked on textured polyethylene powder coat finish.
- Accepts all "XB" series accessories, including Cabinets, Sleeves, Shutters and guards.



Non-stock, made-to-order products are non-returnable and cannot be cancelled.

## SPECIFICATIONS

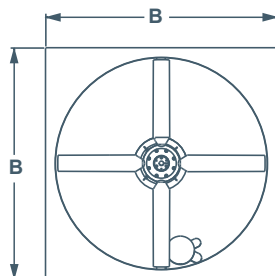
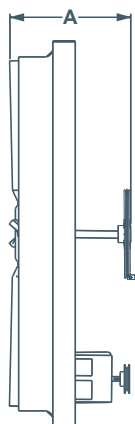
BLADE DIAMETER	MODEL #			MOTOR H.P.	CFM	WEIGHT (LBS.)
	SINGLE PHASE	230/460V PHASE	575V			
24"	XBL24T10033	XBL24T30033M	XBL24T30033P	1/3	3270	50
30"	XBL30T10033	XBL30T30033M	XBL30T30033P	1/3	7730	60
36"	XBL36T10050	XBL36T30050M	XBL36T30050P	1/2	9870	65
42"	XBL42T10075	XBL42T30075M	XBL42T30075P	3/4	14800	75
48"	XBL48T10100	XBL48T30100M	XBL48T30100P	1.0	21500	98

Weights subject to change.

## DIMENSIONS

MODEL	BLADE DIAMETER	A	B X B SQUARE
XBL24	24"	17.5"	29.625"
XBL30	30"	17.5"	35.625"
XBL36	36"	17.5"	41.625"
XBL42	42"	17.5"	47.625"
XBL48	48"	17.5"	53.625"

Dimensions subject to change.  
For CBS dimensions & illustration, see page D9.



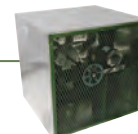
BACK VIEW



ODP MOTOR

## OPTIONS

For fan complete with cabinet/guard and shutter, substitute "T" with CBS





# XB - BELT DRIVE WALL FANS

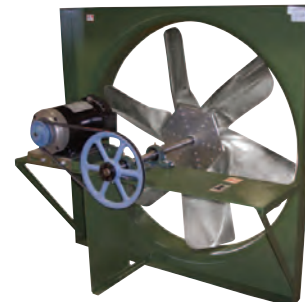
Designed for commercial and medium duty industrial applications  
Factories, Warehouses, Gymnasiums, Underground parking garages, etc.



These fans are typically used for low pressure applications with little or no duct work.

The XB series is designed and constructed for efficient and economical operation at low speeds and low noise levels.

These fans are used for exhaust applications. For supply applications, please see next page.



BACK VIEW

## SPECIFICATIONS

BLADE DIAMETER	MODEL #		WEIGHT (LBS.)	RPM	H.P.	dBA @ 5 ft.	CFM @ STATIC PRESSURE					
	SINGLE PHASE	THREE PHASE					0"	1/8"	1/4"	3/8"	1/2"	5/8"
24"	XB24T10033	XB24T30033*	115	670	1/3	61	4643	4038	2488	-	-	-
	XB24T10050	XB24T30050*	115	805	1/2	65	5578	5112	4405	2934	-	-
	XB24T10075	XB24T30075*	115	925	3/4	70	6410	6030	5526	4731	3354	-
	XB24T10100	XB24T30100*	133	1040	1.0	73	7207	6883	6457	5930	5143	3793
30"	XB30T10033	XB30T30033*	128	470	1/3	59	6658	4717	1948	-	-	-
	XB30T10050	XB30T30050*	129	565	1/2	63	8004	6689	4298	2119	-	-
	XB30T10075	XB30T30075*	129	640	3/4	66	9067	8014	6073	4220	2203	-
	XB30T10100	XB30T30100*	148	715	1.0	69	10129	9223	7790	5688	4248	2452
36"	XB30T10150	XB30T30150*	129	830	1.5	73	11758	11032	10045	8530	6647	5543
	XB36T10050	XB36T30050*	161	410	1/2	59	9854	7547	3560	-	-	-
	XB36T10075	XB36T30075*	160	460	3/4	63	11056	9197	5120	2876	-	-
	XB36T10100	XB36T30100*	180	515	1.0	67	12378	10847	7976	4784	2740	-
42"	XB36T10150	XB36T30150*	160	605	1.5	71	14541	13394	11542	8258	5859	4122
	XB36T10200	XB36T30200*	203	675	2.0	73	16223	15195	13750	11831	8029	6506
	XB42T10075	XB42T30075*	211	330	3/4	58	11755	8579	3357	-	-	-
	XB42T10100	XB42T30100*	230	390	1.0	63	13892	11596	5764	3462	-	-
48"	XB42T10150	XB42T30150*	207	465	1.5	68	16564	14700	12037	6386	4670	-
	XB42T10200	XB42T30200*	248	510	2.0	71	18167	16479	14514	9114	6418	4770
	XB42T10300	XB42T30300*	264	590	3.0	75	21016	19579	18030	15887	10630	7882
	XB48T10100	XB48T30100*	257	330	1.0	63	18658	14895	7243	3301	-	-
54"	XB48T10150	XB48T30150*	236	380	1.5	67	21485	18589	12083	7263	3754	-
	XB48T10200	XB48T30200*	281	425	2.0	70	24030	21457	17737	10447	7459	4205
	XB48T10300	XB48T30300*	290	485	3.0	74	27422	25190	22472	18073	11634	9008
	XB48T10500	XB48T30500*	312	585	5.0	80	33076	31236	29331	26834	23759	17330
60"	XB54T10150	XB54T30150*	316	310	1.5	65	24281	20657	10405	5754	2747	-
	XB54T10200	XB54T30200*	359	345	2.0	68	26593	23275	15740	8821	5199	2455
	XB54T10300	XB54T30300*	370	400	3.0	72	30832	28008	24336	14731	10317	6921
	XB54T10500	XB54T30500*	380	475	5.0	76	36613	34384	31798	28018	19368	13736
60"	XB54T10750	XB54T30750*	492	545	7.5	81	42009	40171	37818	35727	31930	24931
	XB60T10150	XB60T30150*	363	275	1.5	64	28093	23231	12618	6346	3157	-
	XB60T10200	XB60T30200*	405	300	2.0	66	30647	26162	17561	9965	5469	2822
	XB60T10300	XB60T30300*	416	345	3.0	70	35244	31470	27438	16612	11289	7142
60"	XB60T10500	XB60T30500*	430	420	5.0	76	42906	40193	36504	33232	31260	17734
	XB60T10750	XB60T30750*	539	485	7.5	81	49546	47400	44167	41266	38377	30896

BLADE DIAMETER

For three phase motors, substitute "M" with "M" for 230/460 volt (If 208V required please specify) or "P" for 575 volt  
Fan blades tested in accordance with AMCA standard 210, figure 12  
dBA ratings shown are measured at 0" static pressure and should be used as a guideline only  
For VFD, please specify.

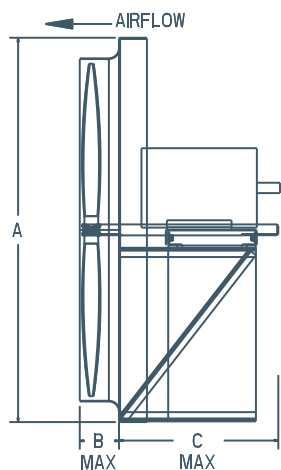
## FEATURES

- Heavy gauge steel fan panel with deep spun and flared venturi for maximum efficiency.
- Heavy gauge welded steel motor and bearing supports.
- Heavy duty cast iron pillow block bearings.
- TEFC motors are standard.

**Note** Non-stock, made-to-order products are non-returnable and cannot be cancelled.

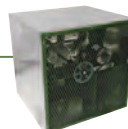
## DIMENSIONS

MODEL	BLADE DIAMETER	A X A SQUARE	B	C (BELT DRIVE MOTOR FRAME)	
				56 - 184	213 - 286
XB24	24"	29.625"	4.0"	18"	--
XB30	30"	35.625"	4.5"	18"	--
XB36	36"	41.625"	5.0"	18"	28"
XB42	42"	47.625"	5.0"	18"	28"
XB48	48"	53.625"	5.0"	18"	28"
XB54	54"	59.657"	5.5"	18"	28"
XB60	60"	67.657"	6.0"	18"	28"

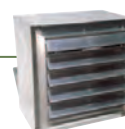


## OPTIONS

For a complete listing of all available options, see page D10.



For fan complete with cabinet/guard and shutter, substitute "T" with CBS



For fan complete with front sleeve and shutter, substitute "T" with SLS



For fan with rear sleeve and back guard, substitute "T" with SLB





# SXB - BELT DRIVE WALL SUPPLY FANS

Designed for commercial and light duty industrial supply applications -  
Factories, Warehouses, Underground parking garages, etc.

These fans are typically used for low pressure applications with little to no duct work. The SXB series is designed and constructed for efficient and economical operation at low speeds and low noise levels. Please see previous page for exhaust fan applications.

This fan is complete with cabinet, motorized steel control damper and guard.



BACK VIEW

Photo above and Dimension illustration below show fan with cabinet, back guard and motorized steel control dampers (Standard).

## FEATURES

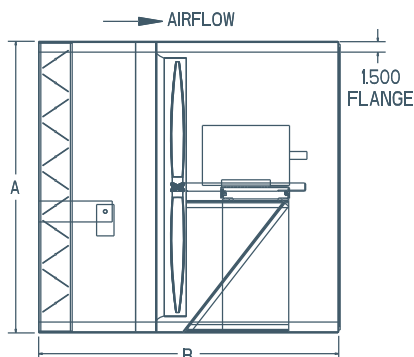
- Heavy gauge steel fan panel with deep spun and flared venturi for maximum efficiency.
- Heavy gauge welded steel motor and bearing supports.
- Galvanized heavy gauge steel fan blades that are statically and dynamically balanced.
- Heavy duty cast iron pillow block bearings.
- TEFC motors are standard.
- All dampers come with Belimo actuators.
- Complete with cabinet, motorized steel control damper and discharge guard.



**Non-stock, made-to-order products are non-returnable and cannot be cancelled.**

## DIMENSIONS

MODEL	BLADE DIAMETER	A X A SQUARE	B (BELT DRIVE MOTOR FRAME)	
			56 - 184	213 - 286
SXB24	24"	29.875"	43"	--
SXB30	30"	35.875"	43"	--
SXB36	36"	41.875"	43"	49"
SXB42	42"	47.875"	43"	49"
SXB48	48"	53.875"	43"	49"
SXB54	54"	59.9375"	43"	49"
SXB60	60"	67.9375"	43"	49"



## SPECIFICATIONS

BLADE DIAMETER	MODEL #		RPM	H.P.	dBA @ 5 ft.	CFM @ STATIC PRESSURE					
	SINGLE PHASE	THREE PHASE				0"	1/8"	1/4"	3/8"	1/2"	5/8"
	24"	SXB24CBD10033				SXB24CBD30033*	670	1/3	61.0	3947	3432
24"	SXB24CBD10050	SXB24CBD30050*	805	1/2	65	4741	4345	3744	2494	-	-
	SXB24CBD10075	SXB24CBD30075*	925	3/4	70.0	5449	5126	4697	4021	2851	-
	SXB24CBD10100	SXB24CBD30100*	1040	1	73.0	6126	5851	5488	5041	4372	3224
	SXB30CBD10033	SXB30CBD30033*	470	1/3	59.0	5659	4009	1656	-	-	-
30"	SXB30CBD10050	SXB30CBD30050*	565	1/2	63.0	6803	5686	3653	1801	-	-
	SXB30CBD10075	SXB30CBD30075*	640	3/4	66.0	7707	6812	5162	3587	1873	-
	SXB30CBD10100	SXB30CBD30100*	715	1	69.0	8610	7840	6622	4835	3611	2084
	SXB30CBD10150	SXB30CBD30150*	830	1 1/2	73.0	9994	9377	8538	7251	5650	4712
36"	SXB36CBD10050	SXB36CBD30050*	410	1/2	59.0	8376	6415	3026	-	-	-
	SXB36CBD10075	SXB36CBD30075*	460	3/4	63.0	9398	7817	4352	2445	-	-
	SXB36CBD10100	SXB36CBD30100*	515	1	67.0	10521	9220	6780	4066	2329	-
	SXB36CBD10150	SXB36CBD30150*	605	1 1/2	71.0	12360	11385	9811	7019	4980	3504
	SXB36CBD10200	SXB36CBD30200*	675	2	73.0	13790	12916	11688	10056	6825	5530
42"	SXB42CBD10075	SXB42CBD30075*	330	3/4	58.0	9992	7292	2853	-	-	-
	SXB42CBD10100	SXB42CBD30100*	390	1	63.0	11808	9857	4899	2943	-	-
	SXB42CBD10150	SXB42CBD30150*	465	1 1/2	68.0	14079	12495	10231	5428	3970	-
	SXB42CBD10200	SXB42CBD30200*	510	2	71.0	15442	14007	12337	7747	5455	4055
	SXB42CBD10300	SXB42CBD30300*	590	3	75.0	17864	16642	15326	13504	9036	6700
	SXB48CBD10100	SXB48CBD30100*	330	1	63.0	15859	12661	6157	2806	-	-
48"	SXB48CBD10150	SXB48CBD30150*	380	1 1/2	67.0	18262	15801	10271	6174	3191	-
	SXB48CBD10200	SXB48CBD30200*	425	2	70.0	20426	18238	15076	8880	6340	3574
	SXB48CBD10300	SXB48CBD30300*	485	3	74.0	23309	21412	19101	15362	9889	7657
	SXB48CBD10500	SXB48CBD30500*	585	5	80.0	28115	26551	24931	22809	20195	14731
54"	SXB54CBD10150	SXB54CBD30150*	310	1 1/2	65.0	20639	17558	8844	4891	2335	-
	SXB54CBD10200	SXB54CBD30200*	345	2	68.0	22604	19784	13464	7498	4419	2087
	SXB54CBD10300	SXB54CBD30300*	400	3	72.0	26207	23807	20686	12521	8769	5883
	SXB54CBD10500	SXB54CBD30500*	475	5	76.0	31121	29226	27028	23815	16463	11676
	SXB54CBD10750	SXB54CBD30750*	545	7 1/2	81.0	35708	34145	32145	30368	27141	21191
60"	SXB60CBD10150	SXB60CBD30150*	275	1 1/2	64.0	23879	19746	10725	5394	2683	-
	SXB60CBD10200	SXB60CBD30200*	300	2	66.0	26050	22238	14927	8470	4649	2399
	SXB60CBD10300	SXB60CBD30300*	345	3	70.0	29957	26750	23322	14120	9596	6071
	SXB60CBD10500	SXB60CBD30500*	420	5	76.0	36470	34164	31028	28247	20069	15074
	SXB60CBD10750	SXB60CBD30750*	485	7 1/2	81.0	42114	40290	37542	35076	32620	26262

For three phase motors, substitute "\*" with "M" for 230/460 volt (If 208V required please specify) or "P" for 575 volt  
Fan blades tested in accordance with AMCA standard 210, figure 12  
dBA ratings shown are measured at 0" static pressure and should be used as a guideline only



# HV - BELT DRIVE WALL FANS

Designed for heavy duty commercial and industrial applications  
- Factories, Warehouses, Gymnasiums, Underground parking garages, etc.

These fans are typically used for high volume, high static pressure applications. The HV series is designed and constructed for efficient and economical operations while maximizing performance for heavy duty applications.

This fan is used for exhaust applications. Please consult factory for supply applications.



BACK VIEW

## SPECIFICATIONS

BLADE DIAMETER	MODEL #		WEIGHT (LBS.)	RPM	H.P.	dBA @ 5 ft.	CFM @ STATIC PRESSURE						
	SINGLE PHASE	THREE PHASE					0"	1/8"	1/4"	3/8"	1/2"	5/8"	3/4"
	24"	HV24T10100					HV24T30100*	139	1175	1.0	74	6750	6234
	HV24T10150	HV24T30150*	118	1375	1.5	78	7898	7458	7049	6604	5824	4768	4049
	HV24T10200	HV24T30200*	162	1515	2.0	81	8703	8303	7906	7581	7051	6267	5310
	HV24T10300	HV24T30300*	175	1750	3.0	84	10053	9707	9360	9039	8757	8328	7784
30"	HV30T10100	HV30T30100*	155	890	1.0	73	9056	8192	6801	4896	3715	2647	1739
	HV30T10150	HV30T30150*	136	1085	1.5	78	11040	10331	9535	8237	6607	5385	4492
	HV30T10200	HV30T30200*	176	1230	2.0	82	12515	11890	11253	10427	9087	7663	6499
	HV30T10300	HV30T30300*	189	1405	3.0	85	14296	13749	13201	12588	11823	10713	9334
	HV30T10500	HV30T30500*	201	1695	5.0	90	17247	16793	16339	15886	15393	14829	14111
36"	HV36T10150	HV36T30150*	167	690	1.5	73	13129	11608	9045	6862	4705	3046	1938
	HV36T10200	HV36T30200*	211	790	2.0	77	15032	13734	12277	9437	7757	5722	4174
	HV36T10300	HV36T30300*	221	935	3.0	82	17791	16695	15526	14129	11533	9929	8689
	HV36T10500	HV36T30500*	233	1140	5.0	88	21962	20793	19893	18903	17883	15993	13983
	HV36T10750	HV36T30750*	322	1230	7.5	90	23404	22571	21737	20860	19915	18971	16876
42"	HV42T10150	HV42T30150*	210	555	1.5	72	15811	13791	10645	6799	4462	3004	1926
	HV42T10200	HV42T30200*	250	660	2.0	77	18802	17137	15196	11975	8648	6367	4833
	HV42T10300	HV42T30300*	262	785	3.0	82	22363	20945	19507	17747	15061	11594	9620
	HV42T10500	HV42T30500*	276	935	5.0	87	26636	25434	24286	23041	21550	19661	17023
	HV42T10750	HV42T30750*	382	1085	7.5	91	30909	29873	28861	27882	26753	25543	24157
48"	HV48T10200	HV48T30200*	275	635	2.0	80	26326	23713	21228	17948	12756	10669	8491
	HV48T10300	HV48T30300*	294	750	3.0	85	31094	28711	26930	24543	21753	17660	14025
	HV48T10500	HV48T30500*	309	875	5.0	89	36276	34042	32521	30974	28814	26521	23883
	HV48T10750	HV48T30750*	413	940	7.5	92	38970	36891	35374	33953	32194	30183	27942
54"	HV54T10200	HV54T30200*	354	405	2.0	70	22986	19134	11540	7965	5000	2787	-
	HV54T10300	HV54T30300*	372	505	3.0	78	28661	25723	22119	1E+05	12020	8757	6667
	HV54T10500	HV54T30500*	392	620	5.0	83	35188	32838	30203	27208	21951	16987	14820
	HV54T10750	HV54T30750*	502	720	7.5	88	40863	38809	36754	34382	31736	27780	21541
	HV54T11000	HV54T31000*	500	800	10.0	91	45404	43529	41789	39675	37594	35093	31863
60"	HV60T10300	HV60T30300*	404	395	3.0	73	32640	26769	17386	12768	8585	4871	-
	HV60T10500	HV60T30500*	412	510	5.0	81	42143	37596	32867	24495	19643	16488	13537
	HV60T10750	HV60T30750*	552	600	7.5	86	49580	45715	41850	36219	29660	24923	21797
	HV60T11000	HV60T31000*	557	670	10.0	89	55364	51903	48442	44980	38454	33060	28617
	-	HV60T31500*	641	740	15.0	93	61149	58015	54881	51747	48613	41937	36959

## FEATURES

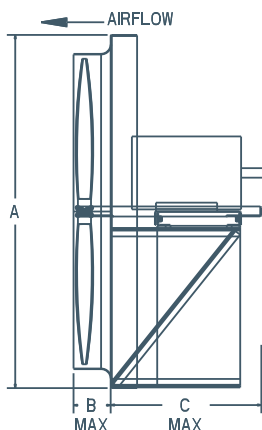
- Heavy gauge steel fan panel with deep spun and flared venturi for maximum efficiency.
- Heavy gauge welded steel motor and bearing supports.
- Galvanized heavy gauge steel fan blades that are statically and dynamically balanced.
- Heavy duty cast iron pillow block bearings.
- TEFC motors are standard.



Non-stock, made-to-order products are non-returnable and cannot be cancelled.

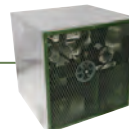
## DIMENSIONS

MODEL	BLADE DIAMETER	A X A SQUARE	B	C (BELT DRIVE MOTOR FRAME)	
				56 - 184	213 - 286
HV24	24"	29.625"	4.0"	18"	--
HV30	30"	35.625"	4.5"	18"	--
HV36	36"	41.625"	5.0"	18"	28"
HV42	42"	47.625"	5.0"	18"	28"
HV48	48"	53.625"	5.0"	18"	28"
HV54	54"	59.657"	5.5"	18"	28"
HV60	60"	67.657"	6.0"	18"	28"

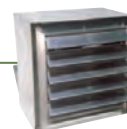


## OPTIONS

For a complete listing of all available options, see page D10.



For fan complete with cabinet/guard and shutter, substitute "T" with CBS



For fan complete with front sleeve and shutter, substitute "T" with SLS

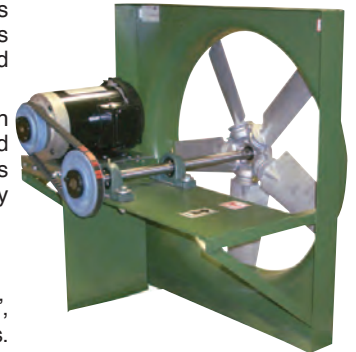
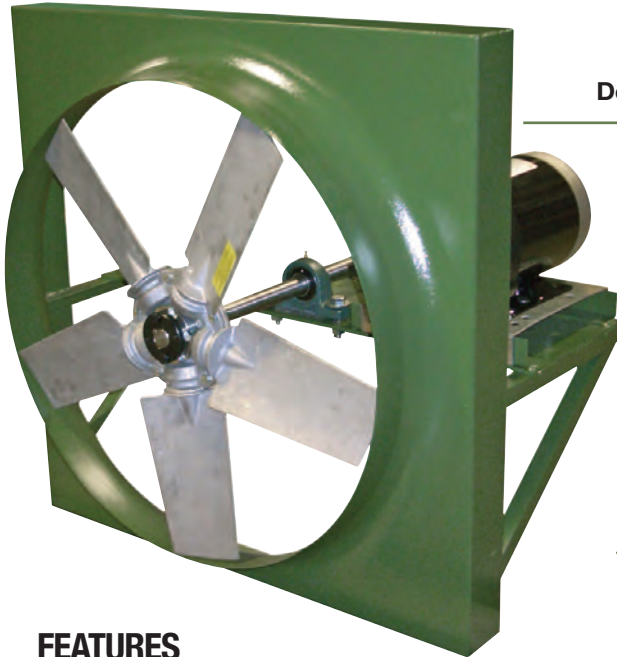


For fan with rear sleeve and back guard, substitute "T" with SLB



# HVA - BELT DRIVE WALL FANS

Designed for heavy duty commercial and industrial exhaust applications.



BACK VIEW

Heavy duty airfoil-cast aluminum or anti-static glass reinforced nylon blades are standard on HVA series fans providing maximum performance at low sound levels.

These fans are typically used for high volume, high static pressure applications. The HVA is designed and constructed for efficient and economical operations while maximizing performance for heavy duty applications.

This fan is used for exhaust applications.

Please consult factory for supply applications.

**OPTIONAL** - Reversing blades available on 30", 36", 42" and 48" models. Please consult factory for details.

## FEATURES

- Heavy gauge steel fan panel with deep spun and flared venturi for maximum efficiency.
- Heavy gauge welded steel motor and bearing supports.
- Balanced cast aluminum airfoil blades (24" - 48").
- Electro anti-static glass reinforced nylon blades available in 54" - 60".
- Heavy duty cast iron pillow block bearings.
- TEFC motors are standard.

**Note** Reversing fan with cabinet will be a steel control damper.

**Note** Non-stock, made-to-order products are non-returnable and cannot be cancelled.

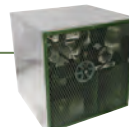
## SPECIFICATIONS

BLADE DIAMETER	MODEL #			WEIGHT (LBS.)	RPM	H.P.	dBA @ 5 ft.	CFM @ STATIC PRESSURE					
	SINGLE PHASE	THREE PHASE	THREE PHASE REVERSING BLADE					0"	1/8"	1/4"	3/8"	1/2"	3/4"
	24"	HVA24T10075	HVA24T30075*					-	113	1180	3/4	65	6750
	HVA24T10100	HVA24T30100*	-	132	1295	1.0	67	7400	7020	6620	6180	5690	4690
	HVA24T10150	HVA24T30150*	-	114	1475	1.5	70	8430	8090	7680	7390	7000	6010
	HVA24T10200	HVA24T30200*	-	153	1620	2.0	72	9260	8960	8640	8330	7990	7220
	HVA24T10300	HVA24T30300*	-	165	1890	3.0	76	10800	10670	10290	10060	9730	8890
30"	HVA30T10100	HVA30T30100*	HVAR30T30100*	145	965	1.0	66	10800	10050	9190	8100	6610	2620
	HVA30T10150	HVA30T30150*	HVAR30T30150*	127	1095	1.5	69	12320	11650	11000	10130	9140	5210
	HVA30T10200	HVA30T30200*	HVAR30T30200*	169	1225	2.0	71	13810	13170	12550	11930	11100	9120
	HVA30T10300	HVA30T30300*	HVAR30T30300*	180	1380	3.0	74	15490	14910	14540	13930	13270	11790
	HVA30T10500	HVA30T30500*	HVAR30T30500*	191	1635	5.0	78	18410	17850	17540	17160	16590	15470
36"	HVA36T10150	HVA36T30150*	HVAR36T30150*	157	830	1.5	69	16300	14950	13590	11730	8430	4610
	HVA36T10200	HVA36T30200*	HVAR36T30200*	199	910	2.0	71	17820	16650	15420	13980	12190	7310
	HVA36T10300	HVA36T30300*	HVAR36T30300*	212	1045	3.0	74	20490	19220	18410	17550	16020	12050
	HVA36T10500	HVA36T30500*	HVAR36T30500*	223	1245	5.0	78	24410	23610	22650	21780	20070	18650
	HVA36T10750	HVA36T30750*	HVAR36T30750*	312	1425	7.5	80	27930	27110	26380	27790	24830	23230
42"	HVA42T10150	HVA42T30150*	HVAR42T30150*	190	695	1.5	69	18710	17040	14780	10950	6910	-
	HVA42T10200	HVA42T30200*	HVAR42T30200*	231	770	2.0	71	20690	19920	17310	15080	11320	4820
	HVA42T10300	HVA42T30300*	HVAR42T30300*	243	895	3.0	73	24120	22840	21430	19620	17680	10290
	HVA42T10500	HVA42T30500*	HVAR42T30500*	255	1005	5.0	75	27070	25980	24640	23230	21810	17750
	HVA42T10750	HVA42T30750*	HVAR42T30750*	351	1205	7.5	79	32420	31520	30640	29530	28290	25760
	HVA42T11000	HVA42T3100*	HVAR42T3100*	364	1335	10.0	81	35910	35170	34340	33410	32390	30120
48"	HVA48T10200	HVA48T30200*	HVAR48T30200*	273	645	2.0	68	22430	20350	18290	15340	11070	3560
	HVA48T10300	HVA48T30300*	HVAR48T30300*	284	745	3.0	71	25790	24330	22450	20510	17880	10780
	HVA48T10500	HVA48T30500*	HVAR48T30500*	295	885	5.0	75	30710	29440	27810	26370	24690	20570
	HVA48T10750	HVA48T30750*	HVAR48T30750*	393	1005	7.5	78	34830	33850	32310	31080	29810	26690
	HVA48T11000	HVA48T31000*	HVAR48T31000*	404	1105	10.0	80	38300	37240	36210	34760	33670	31090
	-	HVA48T31500*	HVAR48T31500*	516	1265	15.0	83	43870	42900	42230	40860	39850	37760
54"	HVA54T10300	HVA54T30300*	-	339	595	3.0	74	33120	30150	26930	22950	16680	5610
	HVA54T10500	HVA54T30500*	-	346	710	5.0	76	39490	37130	34510	31680	28620	18600
	HVA54T10750	HVA54T30750*	-	480	810	7.5	78	45020	42890	40760	38660	35890	29810
	HVA54T11000	HVA54T31000*	-	483	905	10.0	81	50330	48450	46590	44640	42420	37520
	-	HVA54T31500*	-	559	1025	15.0	86	57010	55520	53850	52110	50170	46260
60"	HVA60T10500	HVA60T30500*	-	377	605	5.0	74	47580	44240	40920	36300	29670	16490
	HVA60T10750	HVA60T30750*	-	508	690	7.5	76	54300	51240	48620	45760	41310	27620
	HVA60T11000	HVA60T31000*	-	520	755	10.0	78	59420	56770	54150	51490	48410	39330
	-	HVA60T31500*	-	605	870	15.0	81	68490	66320	63840	61710	59300	53450
	-	HVA60T32000*	-	670	955	20.0	84	75110	73090	70670	68880	67010	62340

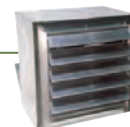
For three phase motors, substitute "3P" with "M" for 230/460 volt (If 208V required please specify) or "P" for 575 volt Fan blades tested in accordance with AMCA standard 210, figure 12 dBA ratings shown are measured at 0" static pressure and should be used as a guideline only

## OPTIONS

For a complete listing of all available options, see page D10.



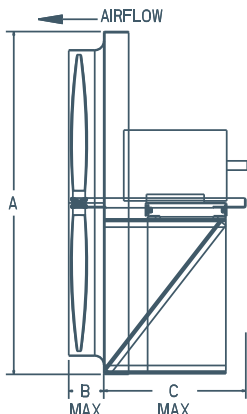
For fan complete with cabinet/guard and shutter, substitute "T" with CBS



For fan complete with front sleeve and shutter, substitute "T" with SLS



For fan with rear sleeve and back guard, substitute "T" with SLB





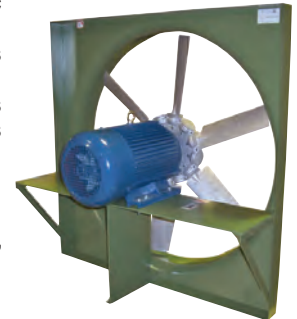
# ADD - DIRECT DRIVE WALL FANS

Designed for heavy duty commercial and industrial applications  
- Factories, Warehouses, Gymnasiums, Underground parking garages, etc.

These fans are typically used for high volume, high static pressure applications. The series ADD is designed and constructed for efficient & economical operations and is direct drive, therefore requiring little or no maintenance. Heavy duty cast aluminum airfoil or polyamide glass reinforced (PAG) blades are standard to ADD series fans providing maximum performance at low sound levels.

This fan is used for exhaust applications. Please consult factory for supply applications.

**OPTIONAL** - Reversing blades available on 30", 36", 42" and 48" models. Consult factory for details.



BACK VIEW

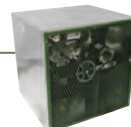
## SPECIFICATIONS

BLADE DIAMETER	MODEL #		WEIGHT (LBS.)	RPM	H.P.	dBA @ 5 ft.	CFM @ STATIC PRESSURE								
	SINGLE PHASE	THREE PHASE REVERSING BLADE					0"	1/8"	1/4"	1/2"	3/4"	1"	1 1/4"		
12"	ADD12T10033C	ADD12T30033C*	-	40	1140	1/3	45	990	760	102	-	-	-	-	
	ADD12T10033B	ADD12T30033B*	-	34	1750	1/3	55	1450	1340	1230	313	-	-	-	
	14"	ADD14T10033C	ADD14T30033C*	-	42	1140	1/3	49	1450	1190	443	-	-	-	-
		ADD14T10033B	ADD14T30033B*	-	34	1750	1/3	58	2220	2070	1920	1350	512	185	-
	16"	ADD16T10033C	ADD16T30033C*	-	46	1140	1/3	53	2150	1960	1640	340	-	-	-
		ADD16T10050B	ADD16T30050B*	-	38	1750	1/2	63	3300	3180	3040	2690	1750	825	370
18"	ADD18T10033C	ADD18T30033C*	-	47	1140	1/3	57	2990	2740	2450	845	-	-	-	
	ADD18T10075B	ADD18T30075B*	-	40	1750	3/4	67	4590	4440	4280	3910	3260	1750	-	
20"	ADD20T10033C	ADD20T30033C*	-	50	1140	1/3	62	4530	3920	3180	739	-	-	-	
	ADD20T10100B	ADD20T30100B*	-	61	1750	1	72	6950	6570	6155	5300	3225	1860	853	
24"	ADD24T10050C	ADD24T30050C*	-	91	1140	1/2	59	4990	4610	4180	2920	1210	-	-	
	ADD24T10100C	ADD24T30100C*	-	125	1140	1	65	6520	6090	5630	4380	1920	813	-	
	-	ADD24T30150C*	-	117	1140	1.5	67	8710	8190	7630	6020	2380	720	-	
	ADD24T10150B	ADD24T30150B*	-	71	1750	1.5	68	7660	7430	7160	6620	5980	5170	4020	
	ADD24T10200B	ADD24T30200B*	-	113	1750	2	73	9210	8950	8660	8090	7470	6660	5540	
	ADD24T10300B	ADD24T30300B*	-	125	1750	3	75	11500	11220	10900	10200	9490	8680	7540	
30"	ADD30T10100C	ADD30T30100C*	ADDR30T30100C*	138	1140	1	65	8680	8110	7480	6000	3630	1550	-	
	-	ADD30T30150C*	ADDR30T30150C*	131	1140	1.5	69	11800	11230	10600	8950	6070	3070	-	
	-	ADD30T30200C*	ADDR30T30200C*	149	1140	2	70	12780	12170	11490	9850	7320	3620	-	
	ADD30T10300B	ADD30T30300B*	ADDR30T30300B*	139	1750	3	74	13300	12950	12550	11700	11000	9980	8830	
	-	ADD30T30500B*	ADDR30T30500B*	149	1750	5	78	18200	17790	17350	16550	15200	14600	13880	
	-	ADD36T30500C*	ADDR36T30500C*	180	1140	2	73	14000	13240	12400	10600	8390	5530	-	
36"	-	ADD36T30300C*	ADDR36T30300C*	212	1140	3	74	19400	18520	17550	15600	13100	8980	6450	
	ADD36T10500B	ADD36T30500B*	ADDR36T30500B*	223	1140	5	76	23600	22870	22050	19700	16850	11700	9220	
	ADD36T10750B	ADD36T30750B*	ADDR36T30750B*	245	1750	7.5	82	21500	20980	20400	19400	18350	17100	15850	
	ADD36T11000B	ADD36T31000B*	ADDR36T31000B*	255	1750	10	83	29700	29160	28550	27300	26150	24900	23700	
	-	ADD42T30200D*	ADDR42T30200D*	233	860	2	70	19200	17830	16300	12400	6720	-	-	
	-	ADD42T30300D*	ADDR42T30300D*	233	860	3	72	23210	21800	20230	16280	8980	3940	-	
42"	-	ADD42T30500D*	ADDR42T30500D*	353	860	5	75	28900	27340	25600	20800	11100	6290	-	
	-	ADD42T30500C*	ADDR42T30500C*	236	1140	5	76	25500	24580	23550	21100	18300	14200	10100	
	ADD42T30750C*	ADDR42T30750C*	258	1140	7.5	78	30690	29770	28750	26190	23350	19410	12780		
	-	ADD42T31000B*	ADDR42T31000B*	254	1750	10	83	26700	25990	25200	23750	22380	21100	19570	
	-	ADD42T31500B*	ADDR42T31500B*	380	1750	15	89	39100	38620	38080	36700	34640	33500	32040	
	-	ADD48T30500D*	ADDR48T30500D*	382	860	5	75	29820	28450	26940	23790	16820	12790	6740	
48"	ADD48T30750D*	ADDR48T30750D*	507	860	7.5	77	35700	34160	32450	28600	22400	16800	8270		
	ADD48T31000C*	ADDR48T31000C*	425	1140	10	81	39500	38500	37400	35000	32700	29800	26050		
	ADD48T31500C*	ADDR48T31500C*	570	1140	15	83	47300	46230	45050	42300	38600	36200	33490		
	ADD48T32000C*	ADDR48T32000C*	596	1140	20	85	53900	52740	51450	48400	45200	42300	37120		

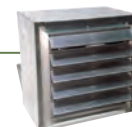
For three phase motors, substitute "M" with "M" for 230/460 volt (If 208V required please specify) or "P" for 575 volt Fan blades tested in accordance with AMCA standard 210, figure 12 dBA ratings shown are measured at 0" static pressure and should be used as a guideline only

## OPTIONS

For a complete listing of all available options, see page D10.



For fan complete with cabinet/guard and shutter, substitute "T" with CBS



For fan complete with front sleeve and shutter, substitute "T" with SL5



For fan with rear sleeve and back guard, substitute "T" with SLB

## FEATURES

- Heavy gauge steel fan panel with deep spun and flared venturi for maximum efficiency.
- Heavy gauge welded steel motor supports.
- Cast aluminum airfoil or polyamide glass reinforced (PAG) blades.
- TEFC motors are standard.

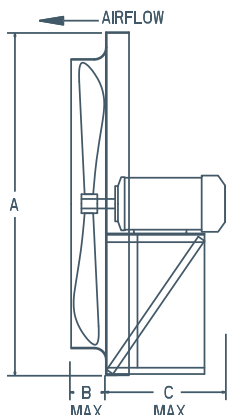
**Note** These fans can be combined with Explosion Proof Motors for use in hazardous locations. Please consult factory.

**Note** Reversing fan with cabinet will be a steel control damper.

**Note** Non-stock, made-to-order products are non-returnable and cannot be cancelled.

## DIMENSIONS

MODEL	BLADE DIAMETER	A X A SQUARE	B	C (DIRECT DRIVE MOTOR FRAME)		
				56 - 184	213 - 215	254 - 286
ADD12	12"	16.125"	2.0"	13"	--	--
ADD14	14"	18.125"	2.5"	13"	--	--
ADD16	16"	20.125"	3.0"	13"	--	--
ADD18	18"	22.125"	3.0"	13"	--	--
ADD20	20"	24.125"	3.5"	13"	--	--
ADD24	24"	29.625"	4.0"	13"	14"	--
ADD30	30"	35.625"	4.5"	13"	14"	25"
ADD36	36"	41.625"	5.0"	13"	14"	25"
ADD42	42"	47.625"	5.0"	13"	14"	25"
ADD48	48"	53.625"	5.0"	--	14"	25"





# DDP - DIRECT DRIVE WALL FANS

Designed for heavy duty commercial and industrial applications  
- Factories, Warehouses, Gymnasiums, Underground parking garages, etc.

The DDP fan utilizes a fiberglass reinforced polypropylene blade that runs more efficiently and quieter than steel fan blades.

Available in 12" - 24" blade sizes and 1/4 - 2 HP motor sizes.

This fan is used for exhaust applications. Please consult factory for supply applications.

**CURRENTLY ONLY AVAILABLE IN CANADA**



BACK VIEW

## SPECIFICATIONS

BLADE DIAMETER	MODEL #		WEIGHT (lbs)	RPM	H.P.	dBA @ 5 ft.	CFM @ STATIC PRESSURE						
	SINGLE PHASE	THREE PHASE					0"	1/8"	1/4"	3/8"	1/2"	5/8"	3/4"
12"	DDP1230T1033C	DDP1230T3033C*	41	1140	1/3	50	929	755	472	-	-	-	-
	DDP1235T1033C	DDP1235T3033C*	41	1140	1/3	51	1080	859	475	-	-	-	-
	DDP1240T1033C	DDP1240T3033C*	41	1140	1/3	51	1240	997	559	-	-	-	-
	DDP1230T1033B	DDP1230T3033B*	33	1750	1/3	30	1410	1300	1180	1050	890	-	-
14"	DDP1430T1033C	DDP1430T3033C*	45	1140	1/3	51	1460	1250	1010	560	-	-	-
	DDP1435T1033C	DDP1435T3033C*	45	1140	1/3	52	1680	1430	1120	636	-	-	-
	DDP1430T1033B	DDP1430T3033B*	37	1750	1/3	61	2210	2080	1950	1800	1640	1425	-
	DDP1435T1033B	DDP1435T3033B*	37	1750	1/3	62	2540	2380	2210	2020	1820	1575	-
16"	DDP1630T1033C	DDP1630T3033C*	49	1140	1/3	54	2070	1845	1610	940	-	-	-
	DDP1635T1033C	DDP1635T3033C*	49	1140	1/3	55	2300	2065	1780	1060	-	-	-
	DDP1640T1033C	DDP1640T3033C*	49	1140	1/3	57	1730	2440	2070	1230	-	-	-
	DDP1630T1050B	DDP1630T3050B*	41	1750	1/2	64	3130	2980	2830	2680	2530	2350	2130
	DDP1635T1050B	DDP1635T3050B*	41	1750	1/2	64	3480	3330	3170	3000	2820	2610	2400
	DDP1640T1075B	DDP1640T3075B*	41	1750	3/4	66	4130	3940	3730	3550	3290	3000	2680
18"	DDP1830T1033C	DDP1830T3033C*	50	1140	1/3	55	2790	2530	2270	1870	-	-	-
	DDP1835T1033C	DDP1835T3033C*	50	1140	1/3	58	3190	2910	2600	2205	1330	-	-
	DDP1840T1050C	DDP1840T3050C*	62	1140	1/2	61	3850	3480	3040	2485	1580	-	-
	DDP1830T1075B	DDP1830T3075B*	42	1750	3/4	67	4220	4050	3880	3710	3530	3340	3110
	DDP1835T1100B	DDP1835T3100B*	62	1750	1	68	4830	4650	4460	4260	4060	3850	3570
		DDP1840T3150B*	72	1750	1.5	70	5830	5600	5340	5100	4780	4480	4150
20"	DDP2030T1033C	DDP2030T3033C*	53	1140	1/3	63	3710	3405	3100	2720	2040	-	-
	DDP2035T1050C	DDP2035T3050C*	65	1140	1/2	63	4240	3960	3610	3215	2650	-	-
	DDP2030T1100B	DDP2030T3100B*	65	1750	1	72	5610	5420	5220	5000	4800	4610	4370
	DDP2035T1150B	DDP2035T3150B*	75	1750	1.5	73	6410	6220	6010	5800	5600	5360	5110
24"	DDP2040T1150B	DDP2040T3150B*	75	1750	1.5	73	7770	7530	7300	7000	6660	6350	5980
	DDP2425T1050C	DDP2425T3050C*	86	1140	1/2	63	4790	4260	3700	2865	1980	1345	-
	DDP2430T1050C	DDP2430T3050C*	86	1140	1/2	63	5710	5160	4520	3780	2730	2010	-
	DDP2435T1075C	DDP2435T3075C*	88	1140	3/4	64	6420	5815	5180	4425	3370	2445	1810
	DDP2425T1100B	DDP2425T3100B*	86	1750	1	73	7240	6900	6550	6210	5850	5370	4840
	DDP2430T1150B	DDP2430T3150B*	76	1750	1.5	73	8580	8300	7920	7510	7100	6640	6150
	DDP2435T1200B	DDP2435T3200B*	108	1750	2	75	9660	9280	8880	8530	8110	7620	7150

For three phase motors, substitute "3P" with "M" for 230/460 volt (If 208V required please specify) or "P" for 575 volt  
Fan blades tested in accordance with AMCA standard 210, figure 12  
dBA ratings shown are measured at 0" static pressure and should be used as a guideline only

## OPTIONS

For a complete listing of all available options, see page D10.



For fan complete with cabinet/guard and shutter, substitute "T" with CBS



For fan complete with front sleeve and shutter, substitute "T" with SLS



For fan with rear sleeve and back guard, substitute "T" with SLB



## FEATURES

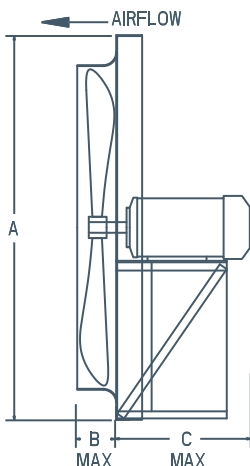
- Heavy gauge steel fan panel with deep spun and flared venturi for maximum efficiency.
- Heavy gauge welded steel motor supports.
- Fiberglass reinforced polypropylene blades.
- TEFC motors are standard.



Non-stock, made-to-order products are non-returnable and cannot be cancelled.

## DIMENSIONS

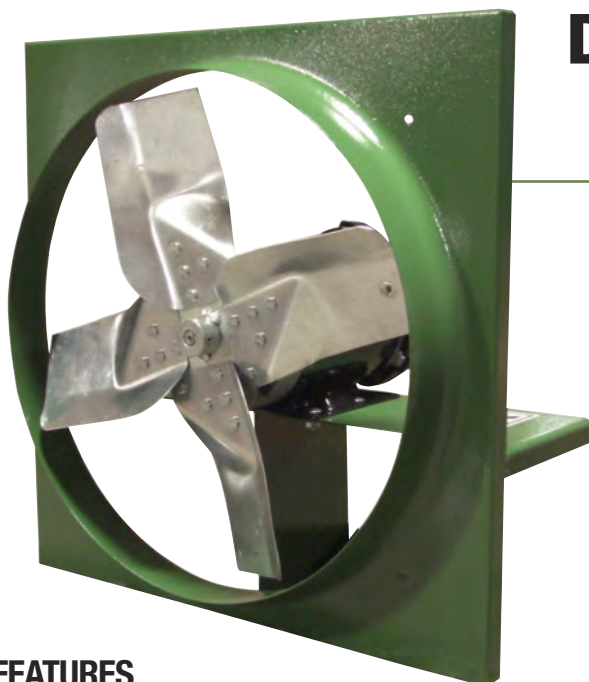
MODEL	BLADE DIAMETER	A X A SQUARE	B	C (DIRECT DRIVE MOTOR FRAME)	
				56 - 184	213 - 215
DDP12	12"	16.125"	2.0"	13"	--
DDP14	14"	18.125"	2.5"	13"	--
DDP16	16"	20.125"	3.0"	13"	--
DDP18	18"	22.125"	3.0"	13"	--
DDP20	20"	24.125"	3.5"	13"	--
DDP24	24"	29.625"	4.0"	13"	14"





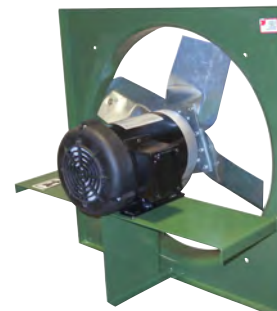
# DDS - DIRECT DRIVE WALL FANS

Designed for heavy duty commercial and industrial applications - Factories, Warehouses, Gymnasiums, Underground parking garages, etc.



The DDS fan utilizes a steel fan blade for efficient and economical operations and is direct drive, therefore requiring little to no maintenance.

This fan is used for exhaust applications. Please consult factory for supply applications.



BACK VIEW

CURRENTLY ONLY AVAILABLE IN CANADA

## SPECIFICATIONS

## FEATURES

- Heavy gauge steel fan panel with deep spun and flared venturi for maximum efficiency.
- Heavy gauge welded steel motor supports.
- Galvanized, heavy gauge steel blades that are statically and dynamically balanced.
- TEFC motors are standard.

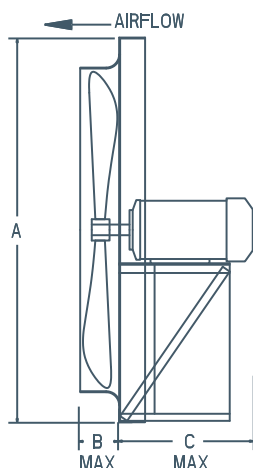


Non-stock, made-to-order products are non-returnable and cannot be cancelled.

## DIMENSIONS

MODEL	BLADE DIAMETER	A X A SQUARE	B	C (DIRECT DRIVE MOTOR FRAME)		
				56 - 184	213 - 215	254 - 286
DDS12	12"	16.125"	2.0"	13"	--	--
DDS14	14"	18.125"	2.5"	13"	--	--
DDS16	16"	20.125"	3.0"	13"	--	--
DDS18	18"	22.125"	3.0"	13"	--	--
DDS20	20"	24.125"	3.5"	13"	--	--
DDS24	24"	29.625"	4.0"	13"	14"	--
DDS30	30"	35.625"	4.5"	13"	14"	25"
DDS36	36"	41.625"	5.0"	13"	14"	25"
DDS42	42"	47.625"	5.0"	13"	14"	25"
DDS48	48"	53.625"	5.0"	--	14"	25"

BLADE DIAMETER	MODEL #		WEIGHT (LBS.)	RPM	H.P.	dBA @ 5 ft.	CFM @ STATIC PRESSURE						
	SINGLE PHASE	THREE PHASE					0"	1/8"	1/4"	3/8"	1/2"	5/8"	3/4"
	12"	DDS12T1033C					DDS12T3033C*	42	1140	1/3	53	940	647
12"	DDS12T1033B	DDS12T3033B*	34	1750	1/3	65	1422	1285	1062	697	587	419	234
14"	DDS14T1033C	DDS14T3033C*	45	1140	1/3	58	1346	1082	624	395	111	-	-
14"	DDS14T1033B	DDS14T3033B*	38	1750	1/3	67	2037	1879	1705	1417	1032	882	733
16"	DDS16T1033C	DDS16T3033C*	50	1140	1/3	63	1981	1660	1064	765	463	133	-
16"	DDS16T1033B	DDS16T3033B*	42	1750	1/3	72	2992	2841	2607	2223	1808	1521	1314
18"	DDS18T1033C	DDS18T3033C*	52	1140	1/3	64	2654	2331	1606	1077	745	449	228
18"	DDS18T1050B	DDS18T3050B*	44	1750	1/2	74	4016	3816	3594	3304	2934	2173	1814
20"	DDS20T1033C	DDS20T3033C*	56	1140	1/3	69	3561	3210	2734	1774	1350	986	675
20"	DDS20T1100B	DDS20T3100B*	67	1750	1	78	5389	5162	4926	4674	4350	3951	3191
24"	DDS24T1075C	DDS24T3075C*	100	1140	3/4	73	6549	6017	5527	4482	3454	2801	2226
24"	DDS24T1100B	DDS24T3100B*	93	1750	1	81	6761	6453	6128	5792	5291	4802	4316
24"	DDS24T1300B	DDS24T3300B*	132	1750	3	84	9909	9558	9207	8886	8599	8131	7576
30"	-	DDS30T3150C*	139	1140	1.5	79	11600	10925	10193	9127	7504	6177	5178
30"	DDS30T1500B	DDS30T3500B*	157	1750	5	90	17552	17106	16661	16215	15745	15190	14541
36"	-	DDS36T3200D*	230	860	2	80	16364	15172	13864	11597	9443	8094	6134
36"	-	DDS36T3500C*	233	1140	5	88	21692	20793	19893	18903	17883	15993	13983
42"	-	DDS42T3500D*	371	860	5	85	24499	23193	21957	20490	18660	15890	12704
42"	-	DDS42T3500C*	253	1140	5	88	23209	22619	21962	21019	19925	18829	17519
48"	-	DDS48T3750D*	520	860	7.5	89	35654	33411	31857	30219	28021	25622	22628
48"	-	DDS48T3750C*	398	1140	7.5	92	32563	31677	30688	29636	28562	27222	25795



For three phase motors, substitute "" with "M" for 230/460 volt (if 208V required please specify) or "P" for 575 volt Fan blades tested in accordance with AMCA standard 210, figure 12 dBA ratings shown are measured at 0" static pressure and should be used as a guideline only

## OPTIONS

For a complete listing of all available options, see page D10.



For fan complete with cabinet/guard and shutter, substitute "T" with CBS



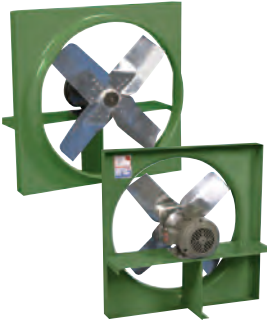
For fan complete with front sleeve and shutter, substitute "T" with SLS



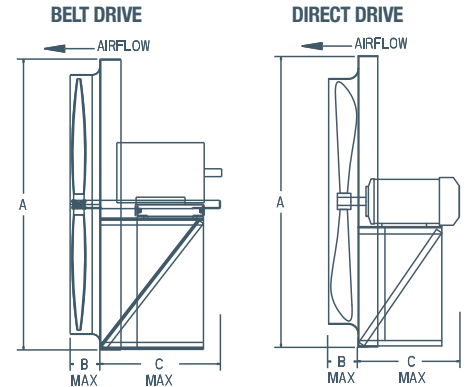
For fan with rear sleeve and back guard, substitute "T" with SLB

# WALL EXHAUST FANS & VENTURI DIMENSIONS FOR STANDARD OPTIONS

## VENTURI



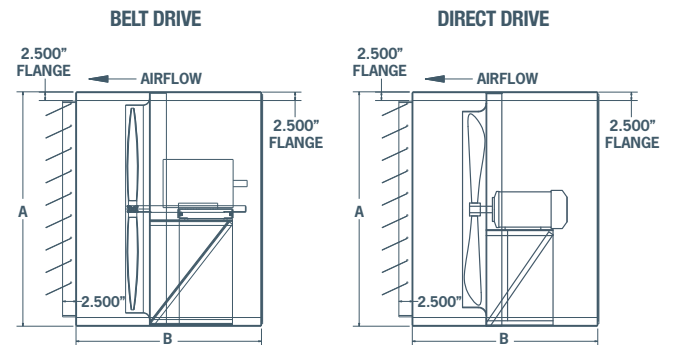
BLADE DIAMETER	A X A SQUARE	B	C				
			BELT DRIVE MOTOR FRAME		DIRECT DRIVE MOTOR FRAME		
			56 - 184	213 - 286	56 - 184	213 - 215	254 - 286
12"	16.125"	2.0"	--	--	13"	--	--
14"	18.125"	2.5"	--	--	13"	--	--
16"	20.125"	3.0"	--	--	13"	--	--
18"	22.125"	3.0"	--	--	13"	--	--
20"	24.125"	3.5"	--	--	13"	--	--
24"	29.625"	4.0"	18"	--	13"	14"	--
30"	35.625"	4.5"	18"	--	13"	14"	25"
36"	41.625"	5.0"	18"	28"	13"	14"	25"
42"	47.625"	5.0"	18"	28"	13"	14"	25"
48"	53.625"	5.0"	18"	28"	--	14"	25"
54"	59.657"	5.5"	18"	28"	--	--	--
60"	67.657"	6.0"	18"	28"	--	--	--



## CABINET, BACK GUARD & SHUTTER (CBS)



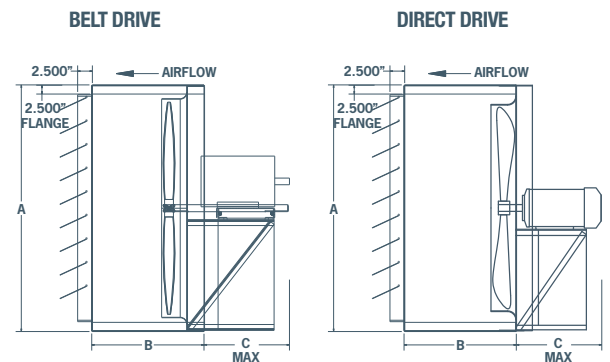
BLADE DIAMETER	A X A SQUARE	B	C				
			BELT DRIVE MOTOR FRAME		DIRECT DRIVE MOTOR FRAME		
			56 - 184	213 - 286	56 - 184	213 - 215	254 - 286
12"	16.375"	--	--	--	26"	--	--
14"	18.375"	--	--	--	26"	--	--
16"	20.375"	--	--	--	26"	--	--
18"	22.375"	--	--	--	26"	--	--
20"	24.375"	--	--	--	26"	--	--
24"	29.875"	33"	--	33"	33"	33"	43"
30"	35.875"	33"	--	33"	33"	33"	43"
36"	41.875"	33"	43"	33"	33"	33"	43"
42"	47.875"	33"	43"	33"	33"	33"	43"
48"	53.875"	33"	43"	--	33"	33"	43"
54"	59.9375"	33"	43"	--	--	--	--
60"	67.9375"	33"	43"	--	--	--	--



## FRONT SLEEVE & SHUTTER (SLS)



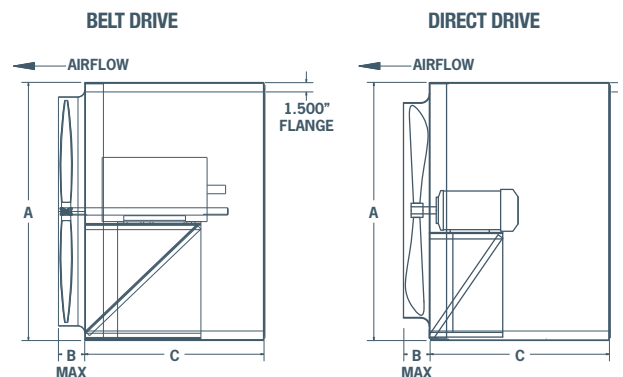
BLADE DIAMETER	A X A SQUARE	B	C				
			BELT DRIVE MOTOR FRAME		DIRECT DRIVE MOTOR FRAME		
			56 - 184	213 - 286	56 - 184	213 - 215	254 - 286
12"	16.375"	15.0"	--	--	12"	--	--
14"	18.375"	15.0"	--	--	12"	--	--
16"	20.375"	15.0"	--	--	12"	--	--
18"	22.375"	15.0"	--	--	12"	--	--
20"	24.375"	15.0"	--	--	12"	--	--
24"	29.875"	19.0"	15"	--	10"	11"	--
30"	35.875"	19.0"	15"	--	10"	11"	22"
36"	41.875"	19.0"	15"	25"	10"	11"	22"
42"	47.875"	19.0"	15"	25"	10"	11"	22"
48"	53.875"	19.0"	15"	25"	--	11"	22"
54"	59.9375"	19.0"	15"	25"	--	--	--
60"	67.9375"	19.0"	15"	25"	--	--	--



## REAR SLEEVE & BACK GUARD (SLB)



BLADE DIAMETER	A X A SQUARE	B	C				
			BELT DRIVE MOTOR FRAME		DIRECT DRIVE MOTOR FRAME		
			56 - 184	213 - 286	56 - 184	213 - 215	254 - 286
12"	16.375"	2.0"	--	--	15"	--	--
14"	18.375"	2.5"	--	--	15"	--	--
16"	20.375"	3.0"	--	--	15"	--	--
18"	22.375"	3.0"	--	--	15"	--	--
20"	24.375"	3.5"	--	--	15"	--	--
24"	29.875"	4.0"	19"	--	19"	19"	--
30"	35.875"	4.5"	19"	--	19"	19"	29"
36"	41.875"	5.0"	19"	29"	19"	19"	29"
42"	47.875"	5.0"	19"	29"	19"	19"	29"
48"	53.875"	5.0"	19"	29"	--	19"	29"
54"	59.9375"	5.5"	19"	29"	--	--	--
60"	67.9375"	6.0"	19"	29"	--	--	--



# OPTIONS & ACCESSORIES

## CABINET, BACK GUARD & SHUTTER (CBS)



## REAR SLEEVE & BACK GUARD (SLB)



## FRONT SLEEVE & SHUTTER (SLS)



## MOTOR OPTIONS

### TWO SPEED MOTOR

Two speed motors are available for some of Canarm/LFI's exhaust fans. 1800/1200 or 1800/900 RPM variable torque, single and three phase. Consult factory for available voltages and configurations.

### EXPLOSION PROOF MOTORS

Some of Canarm/LFI exhaust fans can be equipped with Explosion Proof Motors for hazardous locations. Class I, Groups C & D - Class II, Groups F & G. Consult factory for models.

**CLASS I, GROUP C** *Atmospheres containing ethyl ether, ethylene, gases or vapors of equivalent hazard.*

**CLASS I, GROUP D** *Atmospheres such as acetone, ammonia, benzene, butane, cyclopropane, ethanol, gasoline, hexane, methane, natural gas, naphtha, propane, or gasses or vapors of equivalent hazard.*

**CLASS II GROUP F** *Atmospheres containing carbonaceous dust, including carbon black, charcoal, coal, or coke dusts that have more than 8% total entrapped volatiles, or dusts that have been sensitized by other materials so that they present an explosion hazard.*

**CLASS II GROUP G** *Atmospheres containing combustible dusts not included in group E or F, including flour, grain, wood, plastic and chemicals.*

## STEEL CONTROL & MOTORIZED CONTROL DAMPERS



Motorized steel control dampers can be mounted in fan cabinet or sleeve in either exhaust or intake applications. Consult factory.

## GUARDS



### FRONT GUARD

Front guards available. Consult factory.  
Wire mesh not available on all sizes.

## SPECIAL COATING

For most applications, Canarm LFI's standard enamel paint will provide the necessary surface protection for painted parts. For special requirements, coatings such as hot dipped galvanizing and epoxy, please consult factory.

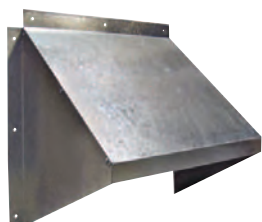
## DISCONNECT SWITCHES

Wire disconnect switches are available.  
See Controls & Thermostats section for details.



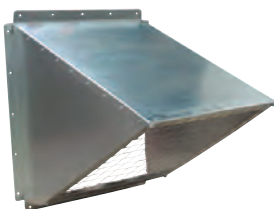
# HOODS

## GH GALVANIZED HOODS



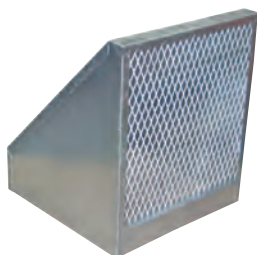
- Economical shipping.
- Easy to assemble, galvanized hood.
- No screens.

## GH KNOCK DOWN HOODS



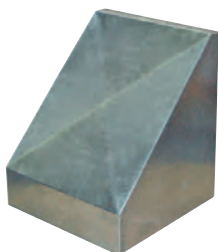
- Easy to assemble, galvanized hood.
- Includes bird screen.

## WHA HOODS



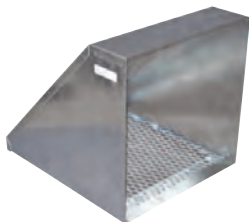
- For AX fans.
- Shipped fully assembled.
- 18 gauge galvanized weather hoods complete with bird screen.

## WHP HOODS



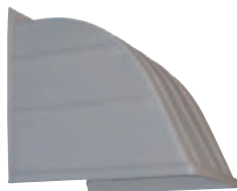
- Optional insect screen available. Consult factory.
- For Panel fans.

## INTAKE & EXHAUST HOODS



- Shipped fully assembled.
- 18 gauge galvanized weather hoods complete with bird screen.

## PLASTIC HOODS



- Rugged, grey plastic hood.
- No screens.

HOOD MODEL	DIMENSIONS		APPROX. WEIGHT (LBS)	FANS THAT WILL FIT
	INSIDE DIMENSIONS	OUTSIDE DIMENSIONS		
GH-XF12-M	14.75"W X 14.0"H	18"W X 15.75"H	4	XF12 / XB12 / SD8 / SD10 / AX8 / AX10 / AX12
GH-XF16-M	18.75"W X 17.75"H	22"W X 19.75"H	7	XF16 / XB12 / HV12 / HVA12 / ADD12 / DDP12 / DDS12 / SD12-14 / AX14-16
GH-XF20-M	22.75"W X 22"H	26"W X 23.75"H	9	XF20 / XB14 / XB16 / HV14-16 / HVA14-16 / ADD14-16 / DDP14-16 / DDS14-16 / SD16-18 / AX18-20
GH-XF24-M	26.75"W X 26"H	29"W X 27.25"H	12	XFS24

### GH KNOCK DOWN HOODS

GH-KD24	31.65"W X 31.85"H	34.65"W X 34.83"H	31	XB24 / HV24 / HVA24 / ADD24 / DDP24 / DDS24 / SD24 / AX24
GH-KD36	43.62"W X 43.93"H	46.62"W X 46.82"H	75	XB30-36 / HV30-36 / HVA30-36 / ADD30-36 / DDS30-36 / SD30-36 / AX30-36 / AX42
GH-KD48	55.62"W X 55.25"H	58.62"W X 58.82"H	TBA	XB42-48 / HV42-48 / HVA42-48 / ADD42-48 / DDS42-48 / SD42 / AX42
GH-KD60	69.76"W X 69.92"H	72.76"W X 72.95"H	TBA	XB54-60 / HV54-60 / HVA54-60 / ADD54-60

### WHA HOODS

WHA8-10	12.11"W X 12.11"H		13	AX08-10, SD8
WHA12	14.05"W X 14.05"H		16	AX12, SD10
WHA14	16.11"W X 16.11"H		22	AX14, SD12
WHA16	18.11"W X 18.11"H		26	AX16, SD14
WHA18	20.11"W X 20.11"H		29	AX18, SD16
WHA20	22.05"W X 22.05"H		31	AX20, SD18
WHA24	26.05"W X 26.05"H		47	AX24
WHA30	33.05"W X 33.05"H		59	AX30
WHA36	39.11"W X 39.11"H		76	AX36

### WHP HOODS

WH8-10P	14.45"W x 14.45"H		20	P08 / P10
WH12P	17.40"W X 17.40"H		16	P12
WH14P	19.20"W X 19.20"H		24	P14
WH16P	21.20"W X 21.20"H		26	P16
WH18P	23.20"W X 23.20"H		29	P18
WH20P	25.20"W X 25.20"H		44	P20
WH24P	29.15"W X 29.15"H		44	P24
WH30P	35.65"W X 35.65"H		60	P30
WH36P	41.65"W X 41.65"H		77	P36

### EXHAUST / INTAKE / WEATHER HOODS

EH12	16.55"W X 16.55"H		9	XF12 / SD8-12 / AX8-14 / XB12 / HV12 / HVA12 / ADD12 / DDP12 / DDS12
EH14	18.60"W X 18.60"H		15	XB14 / HV14 / HVA14 / ADD14 / DDP14 / DDS14 / SD14 / XF16 / AX16
EH16	20.60"W X 20.60"H		20	AX18 / SD16 / XB16 / HV16 / HVA16 / ADD16 / DDP16 / DDS16
EH18	22.55"W X 22.55"H		31	SD18 / XB18 / HV18 / HVA18 / ADD18 / DDP18 / DDS18 / XF20 / AX20
EH20	24.55"W X 24.55"H		44	SD20 / XB20 / XF24 / HV20 / HVA20 / ADD20 / DDP20 / DDS20
EH24	30.05"W X 30.05"H		60	SD24 / AX24 / XB24 / ADD24 / HV24 / HVA24 / DDP24 / DDS24
EH30	36.35"W X 36.35"H		72	SD30 / AX30 / XB30 / HV30 / HVA30 / ADD30 / DDS30 / JFHVA24
EH36	42.30"W X 42.30"H		104	SD36 / AX36 / XB36 / HV36 / HVA36 / ADD36 / DDS36 / JFHVA30
EH42	48.63"W X 48.63"H		163	XB42 / HV42 / HVA42 / ADD42 / DDS42 / JFHVA36 / SD42 / AX42
EH48	54.64"W X 54.64"H		TBA	XB48 / HV48 / HVA48 / ADD48 / DDS48 / JFHVA42
EH54	61.20"W X 61.20"H		TBA	XB54 / HV54 / HVA54 / ADD54 / JFHVA48
EH60	69.39"W X 69.39"H		TBA	XB60 / HV60 / HVA60 / ADD60

### PLASTIC HOODS

HFP-18G	21.50"W X 21.75"H		9	S8 / S10 / S12 / S14 / S16 / S18 AX08 / AX10 / AX12 / AX14 / AX16 / AX18
HFP-24G	27.50"W X 27.75"H		13	S20 / S24 AX20 / AX24

# FILTER SECTION FOR WALL INTAKE & EXHAUST FAN

Fits XB, SXB, HV, HVA, ADD, DDP and DDS Series

*Needs rear sleeve to connect filter section & wall fan together.*

## TYPICAL INSTALLATION

Supply & exhaust

## FEATURES

- Filter sections are available in eight sizes from 24" to 60" wall mount propeller fans.
- Filters are accessible through bolted side panel for maintenance or replacement.
- Permanent expanded aluminum filters have large surface area for efficient filtration.
- Washable filters for easy cleaning (remove filter from cabinet for washing).
- Flanged or sleeve inlets side suitable for different designs.
- Filter sections could be used for intake or exhaust filtration.

Shipped assembled or knock down for easy field assembly.



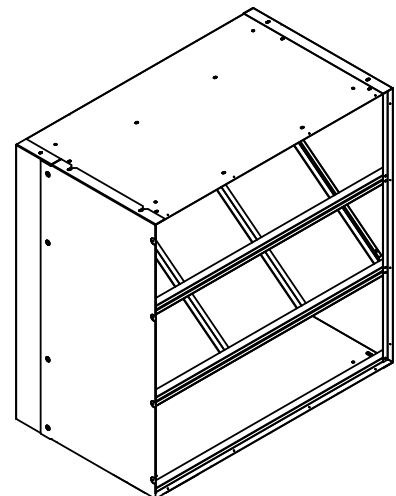
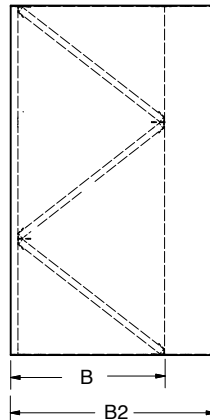
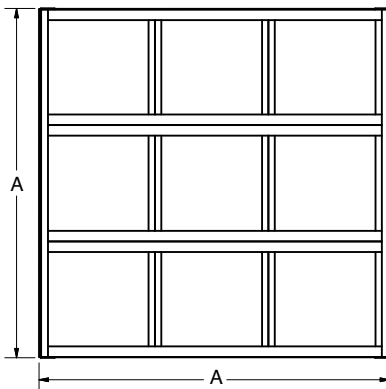
FRONT



BACK

## DIMENSIONS

FAN SIZE	FLANGE MOUNT	SLEEVE MOUNT	A	B		# OF FILTERS
				FLANGE MOUNT	SLEEVE MOUNT	
24"	FB24	FBS24	30 1/2"	22 3/8"	28 3/8"	4
30"	FB30	FBS30	36 1/2"	25 1/4"	31 1/4"	4
36"	FB36	FBS36	42 1/2"	21 5/8"	27 5/8"	4
42"	FB42	FBS42	48 1/8"	28 1/4"	34 1/4"	9
48"	FB48	FBS48	54 1/4"	26 3/8"	32 3/8"	9
54"	FB54	FBS54	60 1/2"	24 1/16"	30 1/16"	9
60"	FB60	FBS60	68 1/2"	27 1/4"	33 1/4"	12



# AX - SHUTTER MOUNTED FANS

Designed for Industrial, Commercial and Farming applications.



The AX series exhaust fan is a sturdily constructed, direct drive, horizontal discharge fan that is typically used for general ventilation of factories, garages, warehouses and other industrial or commercial buildings. The AX fans are available in multiple single-speed variations as well as two-speed and variable speed models. The AX series housings are constructed of heavy duty aluminum with built in shutters that automatically open when the fan starts and gravity closes when the fan stops.

Some models now available with optional DC volt motor. Call for details.

8" & 10" MODEL

## SPECIFICATIONS

SINGLE PHASE	THREE PHASE ***	BLADE DIAMETER	RPM	HP (SINGLE PHASE)	VOLTAGE (SINGLE PHASE)	AMPS (FLA) (SINGLE PHASE)	WEIGHT (LBS)	dB(A) @ 5 ft	CFM @ STATIC PRESSURE				FRAMING DIMENSIONS
									0.00"	0.10"	0.125"	0.25"	
<b>SINGLE SPEED - VARIABLE SPEED FANS</b>													
AX12-1V	AX12-1*	12"	1700	1/3	115/230	5.0/2.5	26	63	1650	1560	1525	1400	14" X 14"
AX12-1VHE	-	12"	1450	1/15	115	1.0	22	60	1350	1290	1275	1150	14" X 14"
AX14-1V	AX14-1*	14"	1700	1/3	115/230	5.0/2.5	29	67	2170	2030	1950	1900	16" X 16"
AX14-1VHE	-	14"	1450	1/15	115	1.0	25	64	1600	1525	1500	1300	16" X 16"
AX16-1V	AX16-1*	16"	1700	1/3	115/230	5.0/2.5	30	68	2570	2470	2410	2260	18" X 18"
AX16-1VHE	-	16"	1450	1/15	115	1.0	26	63	1850	1750	1700	1550	18" X 18"
AX18-1V	AX18-1*	18"	1700	1/3	115/230	3.8/1.9	36	71	3150	3000	2900	2575	20" X 20"
AX20-1V	AX20-1*	20"	1700	1/3	115/230	3.8/1.9	39	77	3620	3420	3340	3120	22" X 22"
AX24-1V	-	24"	1100	1/3	115/230	4.4/2.2	43	72	5500	5400	5310	5100	26" X 26"
-	AX24-1*	24"	1100	1/3	-	-	43	77	5500	5400	5310	5100	26" X 26"
<b>SINGLE SPEED FANS</b>													
AX12-2	-	12"	1625	1/4	115	2.7	27	63	1640	1540	1510	1390	14" X 14"
AX14-2	-	14"	1625	1/4	115	2.7	30	67	2170	2070	2030	1860	16" X 16"
AX16-2	-	16"	1625	1/4	115	2.7	31	68	2370	2270	2210	2060	18" X 18"
AX18-2	-	18"	1625	1/3	115	4.1	37	73	3200	3090	3040	2920	20" X 20"
AX20-2	-	20"	1625	1/3	115	4.1	39	77	3420	3220	3170	2920	22" X 22"
AX24-2	-	24"	1100	1/3	115	5.4	45	70	5000	4500	4300	3600	26" X 26"
AX30-2	-	30"	1100	1/3	115/230	4.4/2.2	72	82	8000	7000	6000	5000	33" X 33"
AX36-7	AX36-7M**	36"	850	1/2	115/230	6.6/3.3	88	72	10000	8500	8000	6200	39" X 39"
AX42-7	-	42"	850	1	230	5	122	84		BHP   FEI   BHP   FEI   BHP   FEI   BHP   FEI		45" X 45"	
									13100	11860	11400	8800	
<b>TWO SPEED FANS</b> *NOTE: 8 & 10" models feature a cord & plug and pull chain control.													
*AX08	-	8"	1600/1300	25W	115	0.2	13	48	360/292	270/150	230/110	-	12"X12"
*AX10	-	10"	1480/1150	60W	115	0.5	15	55	500/388	420/300	400/250	-	12"X12"
AX12-3	-	12"	1725/1140	1/4	115	3.4	27	64	1670/1100	1600/950	1575/900	1450/625	14" X 14"
AX14-3	-	14"	1725/1140	1/4	115	3.4	31	67	2190/1440	2080/1325	2000/1300	1950/850	16" X 16"
AX16-3	-	16"	1725/1140	1/4	115	3.4	34	69	2580/1770	2480/1620	2430/1560	2270/1020	18" X 18"
AX18-3	-	18"	1725/1140	1/3	115	5.5/2.9	38	74	3200/2310	3050/2030	2950/1960	2625/1750	20" X 20"
AX20-3	-	20"	1725/1140	1/3	115	5.5/2.9	41	77	3640/2420	3440/2270	3360/2210	3140/1890	22" X 22"
<b>SINGLE SPEED EXPLOSION PROOF FANS (Explosion Proof Motors are DIVISION 1 - CLASS 1 - GROUP C &amp; D and CLASS 2 - GROUP F &amp; G)</b>													
Class I, Group C - Atmospheres containing ethyl ether, ethylene, gases or vapors of equivalent hazard.													
Class I, Group D - Atmospheres such as acetone, ammonia, benzene, butane, cyclopropane, ethanol, gasoline, hexane, methane, natural gas, naphtha, propane, or gases or vapors of equivalent hazard.													
Class II Group F - Atmospheres containing carbonaceous dust, including carbon black, charcoal, coal, or coke dusts that have more than 8% total entrapped volatiles, or dusts that have been sensitized by other materials so that they present an explosion hazard.													
Class II Group G - Atmospheres containing combustible dusts not included in group E or F, including flour, grain, wood, plastic and chemicals.													
AX12-4	AX12-4*	12"	1725	1/3	115/230	6.6/3.3	49	63	1670	1600	1575	1450	14" X 14"
AX14-4	AX14-4*	14"	1725	1/3	115/230	6.6/3.3	49	67	2190	2080	2000	1950	16" X 16"
AX16-4	AX16-4*	16"	1725	1/3	115/230	6.6/3.3	51	68	2580	2480	2430	2270	18" X 18"
AX18-4	AX18-4*	18"	1725	1/3	115/230	6.6/3.3	56	73	3200	3050	2950	2625	20" X 20"
AX20-4	AX20-4*	20"	1725	1/3	115/230	6.6/3.3	57	77	3640	3440	3360	3140	22" X 22"
AX24-4	AX24-4*	24"	1725	1/3	115/230	6.6/3.3	57	77	5520	5410	5330	5130	26" X 26"

## FEATURES

- Sturdily constructed from all-aluminum extrusions.
- 8" - 24" models have heavy wire chrome plated OSHA guards on intake side of fan. 30", 36" & 42" models have grey powder coated guards.
- Totally enclosed air over motor with overload protection.
- Ships fully assembled.

NOTE: 8 & 10" models feature a cord & plug and pull chain control.



## ACCESSORIES

- Speed controls
- Thermostats
- Front guard
- Weather hoods

For a complete listing on all available accessories, see page D17

For a complete listing of all available hoods, see page D11.

For all available control options, see Controls & Thermostats tab.

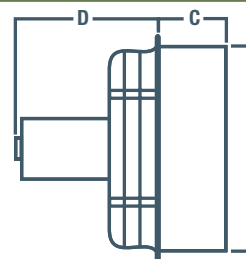
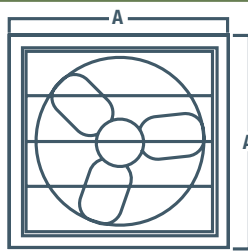
For three phase motors, substitute "\*" with "M" for 230/460 volt or "P" for 575 volt. \*\*NOTE: AX36-7M is only available in 208-230/460 volt for three phase applications.

Other voltages in single or three phase are available. 50HZ voltages are available. Consult factory.

\*\*\*These models are not cETLus certified. For full performance data consult our Delair software - [www.canarm.com/delair](http://www.canarm.com/delair)

## DIMENSIONS

MODEL	A	B	C	D	
				AX	AX-4~
AX08	14 3/4"	11 3/4"	5"	3 7/8"	-
AX10	14 3/4"	11 3/4"	5"	3 7/8"	-
AX12	16 3/4"	13 3/4"	5"	11"	13 3/4"
AX14	18 3/4"	15 3/4"	5"	11"	13 3/4"
AX16	20 3/4"	17 3/4"	5"	11"	13 3/4"
AX18	22 3/4"	19 3/4"	5"	12"	14"
AX20	24 3/4"	21 3/4"	5"	12"	14"
AX24	28 3/4"	25 3/4"	5"	12"	13 3/4"
AX30	35 1/4"	32 3/4"	5"	13"	-
AX36	41 1/4"	38 3/4"	5"	12"	-
AX42	47 3/4"	44 3/4"	5"	11"	-



~ Explosion Proof Motor, 50 Hz or 3 phase



EXPLOSION PROOF MOTOR



**NEW**

# AX-EC - SHUTTER MOUNTED FANS

Designed for Industrial, Commercial & Farming applications.



May not be as shown

The AX-EC series exhaust fan is a sturdily constructed, direct drive, horizontal discharge fan that is typically used for general ventilation of factories, garages, warehouses and other industrial or commercial buildings.

Models are equipped with variable speed, high efficiency EC motors.

The AX-EC series housings are constructed of heavy duty aluminum with built in shutters that automatically open when the fan starts and gravity closes when the fan stops.

Up to 70% energy savings with EC Motors.

## FEATURES

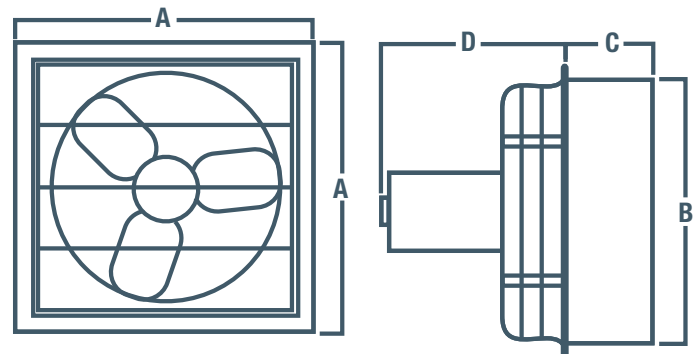
- Sturdily constructed from all-aluminum extrusions.
- 8" - 20" models have heavy wire chrome plated OSHA guards on intake side of fan.
- Variable speed, high efficiency EC Motor.
- Ships fully assembled.
- Fans can be shipped via UPS

## SPECIFICATIONS

MODEL	SPEED	BLADE DIAMETER	RPM	HP	VOLTAGE	AMPS (FLA)	WEIGHT (LBS)	dB(A) @5 ft	CFM @ STATIC PRESSURE				FRAMING DIMENSIONS
									0.00"	0.10"	0.125"	0.25"	
AX08-ECV	Variable	8"	1800	1/4	115/208-280	2.8/1.7-1.3	12	48	360	270	230	0	12" X 12"
AX10-ECV	Variable	10"	1800	1/4	115/208-280	2.8/1.7-1.3	13	56	690/580	590/460	570/390	0	12" X 12"
AX12-EC	Variable	12"	1800	1/4	115/208-280	2.8/1.7-1.3	32	60	1650	1540	1510	1390	14" X 14"
AX14-EC	Variable	14"	1800	1/4	115/208-280	2.8/1.7-1.3	34	65	2180	2080	2060	1890	16" X 16"
AX16-EC	Variable	16"	1800	1/4	115/208-280	2.8/1.7-1.3	36	63	2370	2270	2210	2063	18" X 18"
AX18-EC	Variable	18"	1800	1/3	115/208-280	3.5/2.2-1.7	37	73	3200	3090	3040	2920	20" X 20"
AX20-EC	Variable	20"	1800	1/2	115/208-280	5.3/3.3-2.6	45	77	3440	3240	3180	2930	22" X 22"
AX24-EC	Variable	24"	1200	1/2	115/208-281	5.7/3.5-2.8	56	70	5500	5400	5310	5100	26" X 26"
AX30-EC	Variable	30"	1000	3/4	115/208-282	9.5/5.2-4.2	72	82	8000	7000	6000	5000	33" X 33"
AX36-EC	Variable	36"	1000	3/4	115/208-283	9.5/5.2-4.2	88	84	10000	8500	8000	6200	39" X 39"

## DIMENSIONS

MODEL	A	B	C	D
AX08-EC	14 3/4"	11 3/4"	5"	9.5"
AX10-EC	14 3/4"	11 3/4"	5"	9.5"
AX12-EC	16 3/4"	13 3/4"	5"	11"
AX14-EC	18 3/4"	15 3/4"	5"	11"
AX16-EC	20 3/4"	17 3/4"	5"	11"
AX18-EC	22 3/4"	19 3/4"	5"	12"
AX20-EC	24 3/4"	21 3/4"	5"	12"
AX24-EC	28 3/4"	25 3/4"	5"	12"
AX30-EC	35 1/4"	32 3/4"	5"	13"
AX36-EC	41 1/4"	38 3/4"	5"	11"



## ACCESSORIES

- 0V to 10V controls
- Thermostats
- Front guard
- Weather hoods

For a complete listing on all available accessories, see page D17.

For a complete listing of all available hoods, see page D11.

For all available control options, see Controls & Thermostats tab.



P SERIES FAN

**NOTE: 8 & 10" models feature a cord & plug and pull chain control.**

## FEATURES

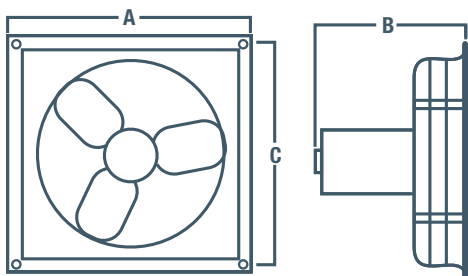
- Sturdily constructed direct drive, horizontal discharge fan.
- Durable powder coated finish.
- 8" - 24" models have heavy wire chrome plated OSHA guards on intake side of fan. 30" & 36" models have grey powder coated guards.
- Totally enclosed air over motor with overload protection.
- Ships fully assembled.



## DIMENSIONS

MODEL	A X A SQUARE	B		C c/c
		P	P-4~	
P08	13 3/8"	5 1/4"	-	12"
P10	15 3/8"	5 1/2"	-	14"
P12	17 1/4"	11"	13 3/4"	16"
P14	19 1/4"	11"	13 3/4"	18"
P16	21 1/4"	11"	13 3/4"	20"
P18	23 1/4"	11 1/4"	14"	22"
P20	25 1/4"	11 1/4"	14"	24"
P24	29 1/4"	11"	13 3/4"	28"
P30	35 1/4"	13 1/4"	-	34"
P36	41 1/4"	13 1/2"	-	40"

~ Explosion Proof Motor, 50 Hz or 3 phase



# P - PANEL MOUNTED FANS

Designed for Industrial, Commercial & Farming applications.

The P series exhaust fan is a sturdily constructed, direct drive, horizontal discharge fan that is typically used for industrial, commercial and farming applications. The P fans are available in single-speed variations as well as two-speed and variable speed models.

## SPECIFICATIONS

SINGLE PHASE	THREE PHASE	BLADE DIAMETER	RPM	HP (SINGLE PHASE)	VOLTAGE (SINGLE PHASE)	AMPS (FLA) (SINGLE PHASE)	WEIGHT (LBS)	dB(A) @5 ft	CFM @ STATIC PRESSURE			
									0.00"	0.10"	0.125"	0.25"
<b>SINGLE SPEED - VARIABLE SPEED FANS</b>												
P12-1V	P12-1*	12"	1700	1/3	115/230	5.0/2.5	26	63	1650	1560	1525	1400
P12-1VHE	--	12"	1450	1/15	115	1.0	22	60	1350	1290	1275	1150
P14-1V	P14-1*	14"	1700	1/3	115/230	5.0/2.5	29	67	2170	2030	1950	1900
P14-1VHE	--	14"	1450	1/15	115	1.0	25	64	1600	1525	1500	1300
P16-1V	P16-1*	16"	1700	1/3	115/230	5.0/2.5	30	68	2570	2470	2410	2260
P16-1VHE	--	16"	1450	1/15	115	1.0	26	63	1850	1750	1700	1550
P18-1V	P18-1*	18"	1700	1/3	115/230	3.8/1.9	36	71	3150	3000	2900	2575
P20-1V	P20-1*	20"	1700	1/3	115/230	3.8/1.9	39	77	3620	3420	3340	3120
P24-1V	--	24"	1100	1/3	115/230	4.4/2.2	43	72	5500	5400	5310	5100
--	P24-1*	24"	1700	1/3	--	--	57	77	5520	5410	5330	5130
<b>SINGLE SPEED FANS</b>												
P12-2	--	12"	1625	1/4	115	2.7	27	63	1640	1540	1510	1390
P14-2	--	14"	1625	1/4	115	2.7	30	67	2170	2070	2030	1860
P16-2	--	16"	1625	1/4	115	2.7	31	68	2370	2270	2210	2060
P18-2	--	18"	1625	1/3	115	4.1	37	73	3200	3090	3040	2920
P20-2	--	20"	1625	1/3	115	4.1	39	77	3420	3220	3170	2920
P24-2	--	24"	1100	1/3	115	5.4	45	70	5000	4500	4300	3600
P30-2	--	30"	1100	1/3	115/230	4.4/2.2	72	82	8000	7000	6000	5000
P36-7	P36-7M**	36"	850	1/2	115/230	6.6/3.3	88	72	10000	8500	8000	6200
<b>TWO SPEED FANS</b> *NOTE: 8 & 10" models feature a cord & plug and pull chain control.												
*P08	--	8"	1600/1300	25W	115	0.2	14	48	360/292	270/150	230/110	--
*P10	--	10"	1480/1150	60W	115	0.5	14	55	500/388	420/300	400/250	--
P12-3	--	12"	1725/1140	1/4	115	3.4	27	64	1670/1100	1600/950	1575/900	1450/625
P14-3	--	14"	1725/1140	1/4	115	3.4	31	67	2190/1440	2080/1325	2000/1300	1950/850
P16-3	--	16"	1725/1140	1/4	115	3.4	34	69	2580/1770	2480/1620	2430/1560	2270/1020
P18-3	--	18"	1725/1140	1/3	115	5.5/2.9	38	74	3200/2310	3050/2030	2950/1960	2625/1750
P20-3	--	20"	1725/1140	1/3	115	5.5/2.9	41	77	3640/2420	3440/2270	3360/2210	3140/1890
<b>SINGLE SPEED EXPLOSION PROOF FANS</b> (Explosion Proof Motors are DIVISION 1 - CLASS 1 - GROUP C & D and CLASS 2 - GROUP F & G)												
Class I Group C - Atmospheres containing ethyl ether, ethylene, gases or vapors of equivalent hazard.												
Class I Group D - Atmospheres such as acetone, ammonia, benzene, butane, cyclopropane, ethanol, gasoline, hexane, methane, natural gas, naphtha, propane, or gases or vapors of equivalent hazard.												
Class II Group F - Atmospheres containing carbonaceous dust, including carbon black, charcoal, coal, or coke dusts that have more than 8% total entrapped volatiles, or dusts that have been sensitized by other materials so that they present an explosion hazard.												
P12-4	P12-4*	12"	1725	1/3	115/230	6.6/3.3	49	63	1670	1600	1575	1450
P14-4	P14-4*	14"	1725	1/3	115/230	6.6/3.3	49	67	2190	2080	2000	1950
P16-4	P16-4*	16"	1725	1/3	115/230	6.6/3.3	51	68	2580	2480	2430	2270
P18-4	P18-4*	18"	1725	1/3	115/230	6.6/3.3	56	73	3200	3050	2950	2625
P20-4	P20-4*	20"	1725	1/3	115/230	6.6/3.3	57	77	3640	3440	3360	3140
P24-4	P24-4*	24"	1725	1/3	115/230	6.6/3.3	57	77	5520	5410	5330	5130

For three phase motors, substitute "\*\*M" with "M" for 230/460 volt or "P" for 575 volt  
\*\*NOTE: P36-7M is only available in 208-230/460 volt for three phase applications  
Other voltages in single or three phase are available. 50HZ voltages are available. Consult factory.

## ACCESSORIES

- Front guards
- Wall sleeve
- Thermostats
- Backdraft dampers
- Weather hoods
- Controls

For a complete listing on all available accessories, see page D17  
For a complete listing of all available hoods, see page D11.  
For all available control options, see Controls & Thermostats tab.

**Consult factory to have accessories installed.**



**P4 SERIES  
EXPLOSION PROOF MOTOR**



P12-1R FAN SHOWN

# P - SERIES SUPPLY FANS

Designed for Industrial &amp; Commercial Supply applications.



P12-1RS9M1115 FAN SHOWN COMPLETE WITH SLEEVE AND MOTORIZED DAMPER.

## FEATURES

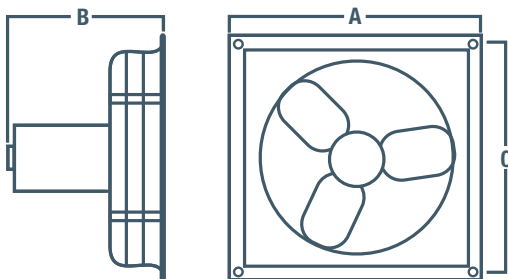
- Fully assembled.
- Sturdily constructed direct drive, horizontal fan.
- Durable powder coated finish.
- Heavy duty OSHA motor mount/guard is standard.
- Totally enclosed air over motor with overload protection.



Non-stock, made-to-order products are non-returnable and cannot be cancelled.

## DIMENSIONS

MODEL	A X A SQUARE	B	C c/c
P12-1R	17 1/4"	11"	16"
P14-1R	19 1/4"	11"	18"
P16-1R	21 1/4"	11"	20"
P18-1R	23 1/4"	12"	22"
P20-1R	25 1/4"	12"	24"
P24-1R	29 1/4"	12"	28"



## SPECIFICATIONS

MODEL	BLADE DIAMETER	RPM	HP	VOLTAGE	AMPS (FLA)	WEIGHT (LBS)	CFM @ STATIC PRESSURE			
							0.00"	0.10"	0.125"	0.25"
<b>P SERIES SUPPLY FAN</b>										
P12-1R	12"	1700	1/3	115/230	5.0/2.5	26	1450	1400	1370	1260
P14-1R	14"	1700	1/3	115/230	5.0/2.5	29	1950	1825	1750	1700
P16-1R	16"	1700	1/3	115/230	5.0/2.5	30	2310	2200	2150	2030
P18-1R	18"	1700	1/3	115/230	3.8/1.9	36	2835	2700	2600	2315
P20-1R	20"	1700	1/3	115/230	3.8/1.9	39	3250	3075	3000	2800
P24-1R	24"	1100	1/3	115/230	6.4/3.2	43	4040	3928	3848	3520

### P SERIES SUPPLY FAN

 Complete with 9" sleeve and 120 Volt motorized damper (specs are for fan motor only and not damper motor)  
 For exhaust models, replace "1R" in the model name with "1V".

P12-1RS9M1115	12"	1700	1/3	115/230	5.0/2.5	45	1450	1400	1370	1260
P14-1RS9M1115	14"	1700	1/3	115/230	5.0/2.5	50	1950	1825	1750	1700
P16-1RS9M1115	16"	1700	1/3	115/230	5.0/2.5	54	2310	2200	2150	2030
P18-1RS9M1115	18"	1700	1/3	115/230	3.8/1.9	60	2835	2700	2600	2315
P20-1RS9M1115	20"	1700	1/3	115/230	3.8/1.9	66	3250	3075	3000	2800
P24-1RS9M1115	24"	1100	1/3	115/230	4.4/2.2	73	4040	3928	3848	3520

## ACCESSORIES

- Thermostats
- Front guard
- Weather hoods

For a complete listing on all available accessories, see page D17  
 For a complete listing of all available hoods, see page D11.  
 For all available control options, see Controls & Thermostats tab.

# ACCESSORIES FOR AX & P SERIES FANS

## FRONT GUARD FOR AX & P SERIES FANS

- 18 gauge galvanized 3/4" expanded metal screen, 6" deep.



FITS FAN	FRONT GUARD	WEIGHT (LBS)
8"	XFG8-10	6
10"	XFG8-10	6
12"	XFG12	6
14"	XFG14	8
16"	XFG16	9
18"	XFG18	10
20"	XFG20	10
24"	XFG24	13
30"	XFG30	TBA
36"	XFG36	TBA

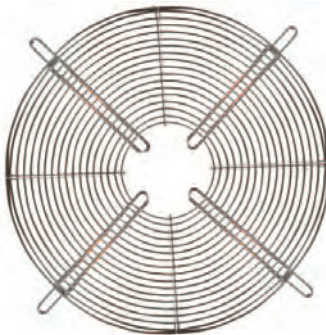
## PANEL SLEEVES FOR P SERIES

- Sleeves are 9 1/2" deep.



FITS FAN	SLEEVES	WEIGHT (LBS)
8"	PSL08	14
10"	PSL10	14
12"	PSL12	14
14"	PSL14	14
16"	PSL16	14
18"	PSL18	15
20"	PSL20	19
24"	PSL24	23
30"	PSL30	26
36"	PSL36	30

## REPLACEMENT GUARDS



FITS FAN	MODEL #	DESCRIPTION	WEIGHT (LBS)
8"	R-2X115	8" - 10" OSHA motor mount	3
10"	R-2X115	8" - 10" OSHA motor mount	3
12"	R-2X116	12" OSHA motor mount	3
14"	R-2X117	14" - 16" OSHA motor mount	4
16"	R-2X117	14" - 16" OSHA motor mount	4
18"	R-2X118	18" - 20" OSHA motor mount	5
20"	R-2X118	18" - 20" OSHA motor mount	5
24"	R-2X119	24" OSHA motor mount	7
30"	R-2X113	30" OSHA motor mount	8
36"	R-2X114	36" OSHA motor mount	9

## MOTORIZED & GRAVITY DAMPERS FOR FRESH AIR INTAKE



MOTORIZED DAMPER

FITS FAN	MODEL #	
	MOTORIZED DAMPERS	BACK DRAFT DAMPERS
8"	SX3210X10	SR3210X10
10"	SX3210X10	SR3210X10
12"	SX3212X12	SR3212X12
14"	SX3214X14	SR3214X14
16"	SX3216X16	SR3216X16
18"	SX3218X18	SR3218X18
20"	SX3220X20	SR3220X20
24"	SX3224X24	SR3224X24
30"	SX3230X30	SR3230X30
36"	SX3236X36	SR3236X36

The Motorized dampers listed above are 110/230V.  
For 24V AC, replace X with Z.



BACK DRAFT DAMPER





Now Available with EC motors!  
See Green Products for more info

# SD - STANDARD WALL EXHAUST FANS

Efficient, low maintenance and easy to install.



Canarm/LFI's standard fans follow a tradition of quality in design, materials and construction. All our standard fans are developed to be efficient and economically priced. Fans are available in single, two and variable speed models. All variable speed standard fans use an energy efficient variable speed, dual voltage motor and blade combination. To determine the proper Canarm/LFI fan for your applications, use the formula and table shown on back of page.

## FEATURES

### 8" & 10" Models

- Smooth, quiet, reliable, maintenance-free operation
- Durable steel construction with grey powder coat finish
- 2 speed fan with high efficiency Euro design external rotor motor
  - Totally enclosed with sealed ball bearings
  - Pull chain speed control
  - 9 foot cord with 115 volt, 3-prong plug
- Swept back, high efficiency, low noise blade design
- Quiet, aluminum shutters with tie bar to maximize airflow and a magnet to prevent flapping and provide a superior seal
- Zinc plated OSHA guard
- Fans shipped completely assembled
- Easy to install! Mount fan using four screws, plug it in and turn it on



### 12" to 48" Models

- Single, two and variable speed models are available.
- All fans use a totally enclosed, thermally protected motor.
- Rugged steel welded box housing has a durable powder coated finish.
- Aluminum louver shutters are supported by long life nylon bushings (30", 36", 42" & 48" have aluminum louvers).
- 12" - 24" models have heavy wire chrome plated OSHA guards on intake side of fan. 30", 36", 42" & 48" models have grey powder coated guards.
- All fans are shipped completely assembled.

**8" - 24" sizes: Now upgraded with tie bar shutters and magnets for quieter operation and superior seal!**

## SPECIFICATIONS

MODEL	SPEED	BLADE DIAMETER	RPM	HP	VOLTAGE	AMPS (FLA)	WEIGHT (LBS)	dB(A) @5 ft	CFM @ STATIC PRESSURE				FRAMING DIMENSIONS					
									0.00"	0.10"	0.125"	0.25"						
SD08	Two	8"	1600/1300	25W	115	0.2	13	48	360/292	270/150	230/110	--	11" X 11"					
SD10	Two	10"	1480/1150	60W	115	0.5	15	55	500/388	420/300	400/250	--	13" X 13"					
S12-E1	Single	12"	1625	1/4	115	2.7	28	63	1640	1540	1510	1390	15" X 15"					
S12-E2	Two	12"	1725/1140	1/4	115	3.4	32	64	1650/1090	1550/950	1520/930	1390/0	15" X 15"					
S12-EVD	Variable	12"	1625	1/3	115/230	5.0/2.5	32	60	1650	1540	1510	1390	15" X 15"					
S14-E1	Single	14"	1625	1/4	115	2.7	30	67	2170	2070	2030	1860	17" X 17"					
S14-E2	Two	14"	1725/1140	1/4	115	3.4	34	65	2180/1350	2080/1190	2060/1160	1890/0	17" X 17"					
S16-E1	Single	16"	1625	1/4	115	2.7	33	68	2370	2270	2210	2060	19" X 19"					
S16-E2	Two	16"	1725/1140	1/4	115	3.4	36	69	2380/1640	2280/1490	2230/1430	2070/0	19" X 19"					
S16-EVD	Variable	16"	1625	1/3	115/230	5.0/2.5	36	63	2370	2270	2210	2063	19" X 19"					
S18-F1	Single	18"	1625	1/3	115	4.1	37	73	3200	3090	3040	2920	21" X 21"					
S18-F2	Two	18"	1725/1140	1/3	115	5.5/2.9	43	74	3200/2100	3090/1890	3040/1820	2920/0	21" X 21"					
S18-FVD	Variable	18"	1625	1/3	115/230	3.8/1.9	45	74	3150	3050	2980	2860	21" X 21"					
S20-F1	Single	20"	1625	1/3	115	4.1	41	77	3420	3220	3170	2920	23" X 23"					
S20-F2	Two	20"	1725/1140	1/3	115	5.5/2.9	45	77	3440/2300	3240/2000	3180/1950	2930/0	23" X 23"					
SD24-F1	Single	24"	1100	1/3	115	3.6	46	70	5000	4500	4300	3600	27" X 27"					
SD24-GVD	Variable	24"	1075	1/3	115/230	4.4/2.2	56	72	5050	4910	4810	4400	27" X 27"					
SD30-G1D	Single	30"	1075	1/3	115/230	4.4/2.2	72	82	8000	7000	6000	5000	33" X 33"					
SD36-G1D	Single	36"	850	1/2	115/230	6.6/3.3	88	72	10000	8500	8000	6200	39" X 39"					
SD42-H1D	Single	42"	850	1	230	5	122	83	BHP	FEI	BHP	FEI	BHP	FEI	BHP	FEI	45" X 45"	
									0.85	1.35	0.87	1.45	0.87	1.45	0.92	1.41		
SD48-H1D	Single	48"	850	1	230	5	140	84	12860				11580				51" X 51"	
									BHP	FEI	BHP	FEI	BHP	FEI	BHP	FEI		
									0.82	1.56	0.84	1.67	0.84	1.69	0.83	1.48		
									14470		12610		12200		8400			

RPM Minimum is determined when louvers are opened one inch. Some models are available with explosion proof motors. Please see SD-XPF.

Note: Wind has a significant effect on exhaust fans. A 10 mph wind creates a 0.05" pressure against the fan. A 20 mph wind creates 0.20" pressure and 30 mph a 0.45" pressure. These pressures are in addition to the static pressure in the building. Wind blocks or hoods should be included in all designs where fans will be subjected to winds above 10 mph.

## AIR CHANGES PER MINUTE

To determine the proper Canarm/LFI fan for your applications, use the following formula.

**Number of cubic feet in room / Number of minutes per air change = Required C.F.M. Capacity**

**EXAMPLE:** A general office, (see chart) which requires an air change every ten minutes, would require the following fan capacity.

**If office is 100' x 40' x 10' = 40,000 cubic ft; 40,000 cubic ft / 10 minutes per air change = 4000 Required C.F.M.**

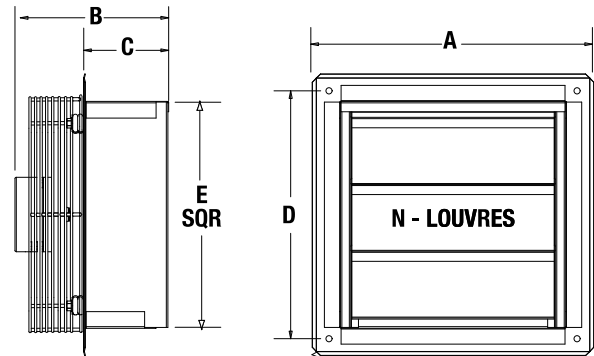
From the chart, you would select a fan that is rated at 4000 C.F.M. at 1/8" S.P. (Static Pressure)

Application	Minutes per Air Change	Application	Minutes per Air Change	Application	Minutes per Air Change	Application	Minutes per Air Change
Assembly Hall	7	Church	15	Foundry	4	Pressing Room	1
Attic	2	Classroom	6	Garage	5	Projection Booth	2
Auditorium	10	Dance Hall	5	General Office	10	Summer Cooling	1
Barber Shop	6	Department Store	6	Gymnasium	8	Toilet	3
Basement	8	Dry Cleaning	5	Laundry	2	Transformer Room	1
Battery Room	4	Engine Room	6	Locker Room	3	Warehouse	12
Boiler Room	1	Factory	6	Machine Shop	8	Welding Shop	2
Bowling Alley	5	Forge Room	3	Plating Room	3		

## DIMENSIONS

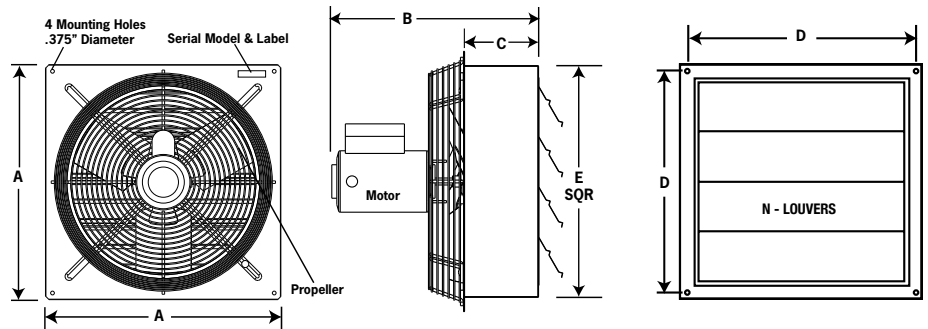
### 8" & 10" Models

FAN SIZE	A	B	C	D (c/c)	E SQR	N
8"	13 1/4"	7 9/16"	4"	12"	10 3/4"	2
10"	15 1/4"	7 7/8"	4"	14"	12 3/4"	3



### 12" to 48" Models

FAN SIZE	A X A SQUARE	B	C	D (c/c)	E	N
12"	17 1/4"	17"	6"	16"	14 3/4"	3
14"	19 1/4"	17"	6"	18"	16 3/4"	3
16"	21 1/4"	17"	6"	20"	18 3/4"	4
18"	23 1/4"	18"	6"	22"	20 3/4"	4
20"	25 1/4"	18"	6 3/4"	24"	22 3/4"	5
24"	29 1/4"	18"	6 3/4"	28"	26 3/4"	5
30"	35 1/4"	18"	6"	34"	32 3/4"	16
36"	41 1/4"	18"	6"	40"	38 3/4"	20
NEW 42"	47 1/4"	18"	6 3/4"	46"	44 3/4"	24
NEW 48"	53 1/4"	19"	6 3/4"	52"	50 5/8"	26



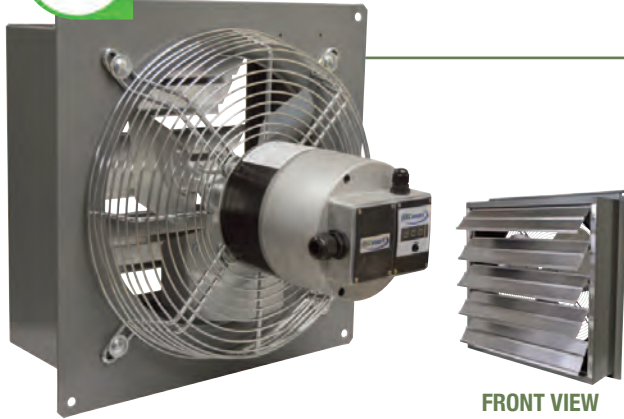
## ACCESSORIES

- Grey plastic weather hood
- Galvanized metal hood
- MC type & wet locations controls.

For a complete listing on all available accessories, see page D17.

For a complete listing of all available hoods, see page D11.

For all available control options, see Controls & Thermostats tab.



May not be as shown

FRONT VIEW

# GREEN SERIES SD-EC

## Standard Wall Exhaust Fans

Canarm/LFI's standard fans follow a tradition of quality in design, materials and construction. All our standard fans are developed to be efficient and economically priced. Fans are now available with EC motors allowing you to **save up to 70% on energy costs.**

To determine the proper Canarm/LFI fan for your applications, use the following formula.

$$\text{Number of cubic feet in room} / \text{Number of minutes per air change} = \text{Required C.F.M. Capacity}$$

**EXAMPLE:** A general office, (see chart) which requires an air change every ten minutes, would require the following fan capacity.  
**If office is 100' x 40' x 10' = 40,000 cubic ft**  
**40,000 cubic ft / 10 minutes per air change = 4000 Required C.F.M.**

From the chart, you would select a fan that is rated at 4000 C.F.M. at 1/8" S.P. (Static Pressure)

### FEATURES

- Available in 8" to 36" sizes
- High efficiency totally enclosed EC motor
- Rugged steel welded box housing with durable powder coat finish
- Osha guard on intake side of fan
- Shipped completely assembled.
- 8" - 24" sizes: Now upgrades with tie bar shutters and magnets for quieter operation and superior seal

Application	Minutes per Air Change	Application	Minutes per Air Change	Application	Minutes per Air Change	Application	Minutes per Air Change
Assembly Hall	7	Church	15	Foundry	4	Pressing Room	1
Attic	2	Classroom	6	Garage	5	Projection Booth	2
Auditorium	10	Dance Hall	5	General Office	10	Summer Cooling	1
Barber Shop	6	Department Store	6	Gymnasium	8	Toilet	3
Basement	8	Dry Cleaning	5	Laundry	2	Transformer Room	1
Battery Room	4	Engine Room	6	Locker Room	3	Warehouse	12
Boiler Room	1	Factory	6	Machine Shop	8	Welding Shop	2
Bowling Alley	5	Forge Room	3	Plating Room	3		

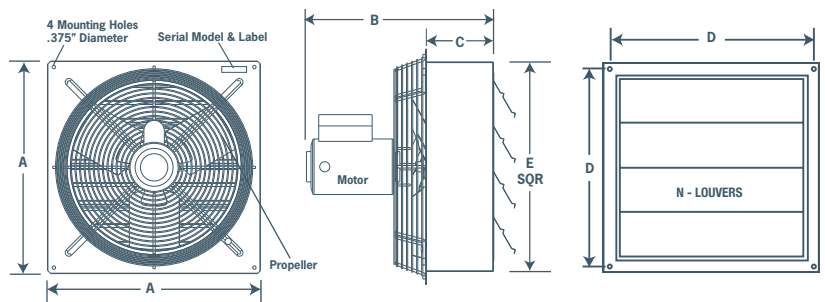
### PERFORMANCE SPECIFICATIONS

MODEL	SPEED	BLADE DIAMETER	RPM	HP	VOLTAGE	AMPS (FLA)	WEIGHT (LBS)	dB(A) @5 ft	CFM @ STATIC PRESSURE				FRAMING DIMENSIONS
									0.00"	0.10"	0.125"	0.25"	
SD8-ECV	Variable	8"	1800	1/4	115/208-280	2.8/1.7-1.3	12	48	360	270	230	0	11" X 11"
SD10-ECV	Variable	10"	1800	1/4	115/208-280	2.8/1.7-1.3	13	56	690	590	570	0	13" X 13"
SD12-EC	Variable	12"	1800	1/4	115/208-280	2.8/1.7-1.3	32	60	1650	1540	1510	1390	15" X 15"
SD14-EC	Variable	14"	1800	1/4	115/208-280	2.8/1.7-1.3	34	65	2180	2080	2060	1890	17" X 17"
SD16-EC	Variable	16"	1800	1/4	115/208-280	2.8/1.7-1.3	36	63	2370	2270	2210	2063	19" X 19"
SD18-EC	Variable	18"	1800	1/2	115/208-280	3.5/2.2-1.7	37	73	3200	3090	3040	2920	21" X 21"
SD20-EC	Variable	20"	1800	1/2	115/208-280	5.3/3.3-2.6	45	77	3440	3240	3180	2930	23" X 23"
SD24-EC	Variable	24"	1200	1/2	115/208-280	5.7/3.5-2.8	56	70	5050	4910	4810	4400	27" X 27"
SD30-EC	Variable	30"	1000	3/4	115/208-280	9.5/5.2-4.2	72	82	8000	7000	6000	5000	33" X 33"
SD36-EC	Variable	36"	1000	3/4	115/208-280	9.5/5.2-4.2	88	84	10000	8500	8000	6200	39" X 39"

**PLEASE NOTE:** The above is subject to change without notice as these are still in development.

### DIMENSIONS

FAN SIZE	A X A SQUARE	B	C	D (c/c)	E	N
8"	13 1/4"	13 1/2"	4"	12"	10 3/4"	2
10"	15 1/4"	13 1/2"	4"	14"	12 3/4"	2
12"	17 1/4"	16 1/2"	6"	16"	14 3/4"	3
14"	19 1/4"	16 1/2"	6"	18"	16 3/4"	3
16"	21 1/4"	16 1/2"	6"	20"	18 3/4"	4
18"	23 1/4"	16 1/2"	6"	22"	20 3/4"	4
20"	25 1/4"	17"	6 3/4"	24"	22 3/4"	5
24"	29 1/4"	18"	6 3/4"	28"	26 3/4"	5
30"	35 1/4"	19"	6"	34"	32 3/4"	16
36"	41 1/4"	19"	6"	40"	38 3/4"	20



### ACCESSORIES

- Grey plastic weather hood
- Galvanized metal hood
- 0V to 10V Control

For a complete listing on all available accessories, see **Accessories for AX & P Series Fans.**  
 For a complete listing of all available hoods, see **Wall Exhaust Options & Accessories.**  
 For all available control options, see **Controls & Thermostats** tab.



FRONT VIEW



# EXPLOSION PROOF STANDARD WALL EXHAUST FANS

Efficient, low maintenance and easy to install.

Canarm LFI's explosion proof fans follow a tradition of quality in design, materials and construction. Using our quality "Standard Fan" housing and motor mount as the basis for design, we have developed an efficient, economically priced Explosion Proof Fan. All Explosion Proof Fans have a single speed, dual voltage explosion proof motor that meets and conforms to all the standards that are listed below.

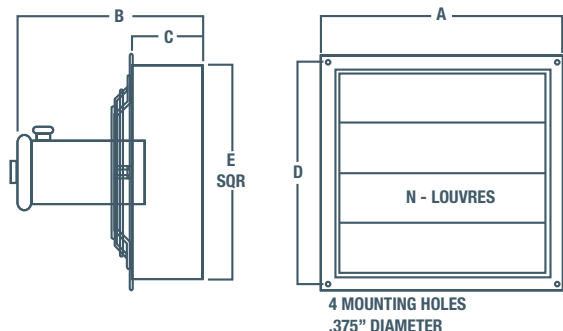
- CLASS I, GROUP C** Atmospheres containing ethyl ether, ethylene, gases or vapors of equivalent hazard.
- CLASS I, GROUP D** Atmospheres such as acetone, ammonia, benzene, butane, cyclopropane, ethanol, gasoline, hexane, methane, natural gas, naphtha, propane, or gasses or vapors of equivalent hazard.
- CLASS II GROUP F** Atmospheres containing carbonaceous dust, including carbon black, charcoal, coal, or coke dusts that have more than 8% total entrapped volatiles, or dusts that have been sensitized by other materials so that they present an explosion hazard.
- CLASS II GROUP G** Atmospheres containing combustible dusts not included in group E or F, including flour, grain, wood, plastic and chemicals.

## FEATURES

- Totally enclosed, ball bearing motor with thermal overload protection.
- The fan blades are well-balanced, heavy gauge aluminum.
- The rugged steel welded box housing has a durable powder coated finish.
- Aluminum louver shutters are supported by long life nylon bushings.
- Heavy wire chrome plated OSHA guards on intake side of fan.
- All fans are shipped completely assembled.

## DIMENSIONS

FAN SIZE	A X A SQUARE	B	C	D c/c	E	N
8"	13 1/4"	17 1/2"	4"	12"	10 3/4"	2
10"	15 1/4"	17 1/2"	4"	14"	12 3/4"	2
12"	17 1/4"	20 1/2"	6"	16"	14 3/4"	3
18"	23 1/4"	20 1/2"	6"	22"	20 3/4"	4
24"	29 1/4"	20 1/2"	6"	28"	26 3/4"	5



## SPECIFICATIONS

MODEL	FAN SIZE	HP	VOLTS	AMPS	SPEED	RPM	AIRFLOW CAPACITY - CFM				FRAMING DIMENSIONS	WEIGHT (LBS)
							0" SP	.05" SP	.10" SP	.25" SP		
SD08-XPFF	8"	1/3	115/230	6.6/3.3	Single	1725	320	280	240	-	11" X 11"	38
SD10-XPFF	10"	1/3	115/230	6.6/3.3	Single	1725	620	575	530	-	13" X 13"	39
SD12-XPFF	12"	1/3	115/230	6.6/3.3	Single	1725	1640	1600	1540	1390	15" x 15"	42
SD18-XPFF	18"	1/3	115/230	6.6/3.3	Single	1725	3200	3150	3090	2920	21" x 21"	60
SD24-XPFF	24"	1/3	115/230	6.6/3.3	Single	1725	5500	5400	5310	5100	27" x 27"	72

NOTE: RPM Min (Minimum) is determined when louvers are opened one inch. Note: Wind has a significant effect on exhaust fans. A 10 mph wind creates a 0.05" pressure against the fan. A 20 mph wind creates 0.20" pressure and 30 mph a 0.45" pressure. These pressures are in addition to the static pressure in the building. Wind blocks or hoods should be included in all designs where fans will be subjected to winds above 10 mph.



BACK VIEW

## ACCESSORIES

- Hoods

For a complete listing of all available hoods, see page D11.

# XFS SERIES EXHAUST SHUTTER FANS

For use in garages, sheds, workshops and more!



FRONT VIEW



Canarm's **XFS series** wall exhaust fans are ideal for commercial applications. They feature smooth, quiet, reliable, maintenance free operation. Available in 12" to 36" sizes - fans are single, 2 or 3 speeds with OFF and come complete with a 9' cord and grounded plug. The fans have a durable steel construction with powder coat black finish and quiet, aluminum shutters with tie bar to maximize airflow. Installation is easy - simply mount the fan with 4 screws, plug it in and turn it on!

## FEATURES

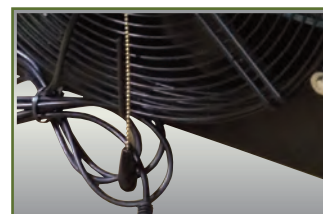
- Smooth, quiet, reliable, maintenance free operation.
- Available in 12" to 36" sizes.
- 12" and 16" models are 3 speed
- 20" to 30" models are 2 speed.
- 36" model is single speed.
- Durable steel construction with powder coat black finish.
- Swept back, high efficiency, low noise blade design.
- Shutters have a small magnet to prevent flapping and provide a superior seal.
- Quiet, aluminum shutters with tie bar to maximize airflow.
- Strong powder coated OSHA guarding inside.
- ETL certified
- Euro design outside rotor motor for higher efficiency.
  - Totally enclosed with sealed ball bearings
  - Pull chain speed control
  - 9 foot cord with 115 volt, 3-prong plug
- Fans shipped totally assembled.

## SPECIFICATIONS

MODEL	FAN SIZE	MOTOR HP	SPEED	VOLTS	NET WEIGHT	FAN RPM	CFM at 1/8" SP	HIGH SPEED SOUND LEVEL dB(A)	MAX AMPS	MAX AMBIENT TEMP
XFS12	12"	1/12	3	115	19 lbs	1600/1420/1150	1100/900/800	58	0.8 / 0.8 / 0.7	90°C/194°F
XFS16	16"	1/8	3	115	27 lbs	1630/1450/1330	2300/2000/1800	58	2.0 / 1.8 / 1.6	74°C/158°F
XFS20	20"	1/4	2	115	40 lbs	1140/1050	3300/2900	68	2.3 / 2.0	70°C/158°F
XFS24	24"	1/2	2	115	56 lbs	1140/1070	4700/3800	72	5.0 / 4.3	70°C/158°F
XFS30	30"	1/2	2	115	72 lbs	1080/980	6400/5000	71/68	4.9/4.3	70°C/158°F
XFS36	36"	1	1	115	88 lbs	943	6339	76	7.2	70°C/158°F



Tie bar aluminum shutters

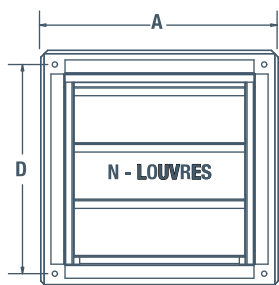
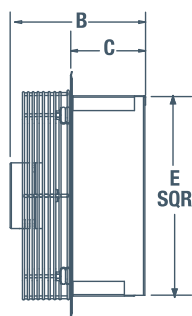


Pull chain switch

## DIMENSIONS

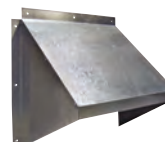
Note: Dimensions subject to change

MODEL	A X A SQUARE	B	C	D (c/c)	E SQR	N (# OF LOUVRES)	FRAMING	CARTON DIMENSIONS		
								Length	Height	Width
XFS12	16 7/8"	8 3/8"	5"	14 7/8"	13 1/2"	3	14" x 14"	20"	20"	12"
XFS16	20 7/8"	9 1/2"	5"	18 7/8"	17 1/2"	4	18" x 18"	25"	25"	13"
XFS20	24 7/8"	9 1/2"	5"	22 7/8"	21 1/2"	5	22" x 22"	28"	28"	13"
XFS24	28 7/8"	11 1/8"	5"	26 7/8"	25 1/2"	6	26" x 26"	32"	32"	15"
XFS30	34 7/8"	12 1/2"	5"	32 7/8"	31 1/2"	7	34" x 34"	38"	38"	15.75"
XFS36	40 7/8"	14 1/2"	5"	38 7/8"	37 1/2"	8	40" x 40"	44"	44"	17"



## ACCESSORIES

Optional galvanized weather hood.



### OPTIONAL WEATHER HOOD

FAN SIZES	HOOD #
12"	GH-XF12
16"	GH-XF16
20"	GH-XF20
24"	GH-XF24

# XFS SERIES EXHAUST SHUTTER FANS



To determine the proper XFS Fan for your applications, use the following formula.

**Number of cubic feet in room / Number of minutes per air change = Required CFM Capacity**

**EXAMPLE:** A general office, (see chart) which requires an air change every ten minutes, would require the following fan capacity.

**If office is 100' x 40' x 10' = 40,000 cubic ft; 40,000 cubic ft / 10 minutes per air change = 4000 Required CFM**

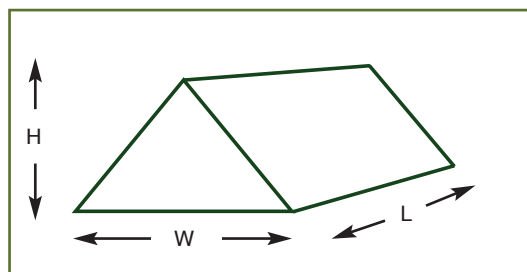
From the chart, you would select a fan that is rated at 4000 CFM at 1/8" S.P. (Static Pressure)

Application	Minutes per Air Change	Application	Minutes per Air Change	Application	Minutes per Air Change	Application	Minutes per Air Change
Assembly Hall	7	Church	15	Foundry	4	Pressing Room	1
Attic	2	Classroom	6	Garage	5	Projection Booth	2
Auditorium	10	Dance Hall	5	General Office	10	Summer Cooling	1
Barber Shop	6	Department Store	6	Gymnasium	8	Toilet	3
Basement	8	Dry Cleaning	5	Laundry	2	Transformer Room	1
Battery Room	4	Engine Room	6	Locker Room	3	Warehouse	12
Boiler Room	1	Factory	6	Machine Shop	8	Welding Shop	2
Bowling Alley	5	Forge Room	3	Plating Room	3		

## ATTIC VENTILATION

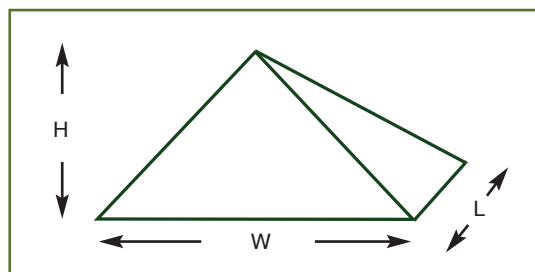
### CAUTION!

Attic temperatures can get very high and exceed the high temperature protection device, shutting down the fan if there is not enough air change to keep the attic at a temperature below 120 °F.



Gabled Roof

$$\text{Volume} = L \times W \times 1/2 H$$



Pyramidal Roof

$$\text{Volume} = L \times W \times 1/3 H$$

Recommended air changes in an attic are about 2-3 minutes per air charge (MIN/AC) to keep the temperatures down. (2 minutes in southern climates and 3 minutes in northern climates.)

$$\text{Using 2 minutes, required exhaust CFM} = \frac{\text{Total Volume}}{2 \text{ MIN/AC}}$$

This provides your required CFM of the exhaust fan, BUT there must be enough venting to supply fresh air to the attic space. A good rule of thumb is 1.5 ft<sup>2</sup> for every 1000 CFM of airflow.

### Example:

**Southern Climate**  $\frac{6000 \text{ ft}^3}{2} = 3000 \text{ CFM}$   
Use XFS20

**Southern climate inlet opening**  $= 3000 \times \frac{1.5}{1000} = 4.5 \text{ ft}^2$

**Northern Climate**  $\frac{6000 \text{ ft}^3}{3} = 2000 \text{ CFM}$   
Use XFS16

**Northern climate inlet opening**  $= 2000 \times \frac{1.5}{1000} = 3 \text{ ft}^2$



# GSF

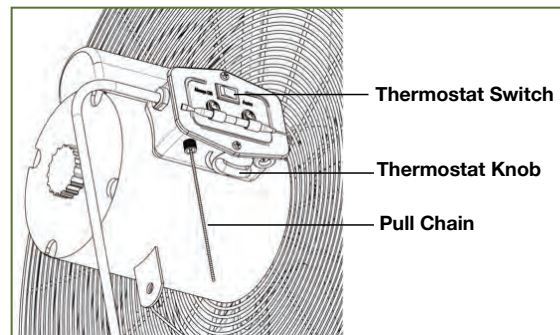
## Galvanized Shutter Fan Complete with Cord and Plug and Pull Chain Switch



Canarm's GSF series wall exhaust fans are ideal for light commercial applications. They feature smooth, reliable, maintenance free operation. Available in 10" to 30" sizes - 3 speed pull chain on all sizes except the 30" which is 2 speed. The fans have a galvanized frame with aluminum shutters.

### FEATURES

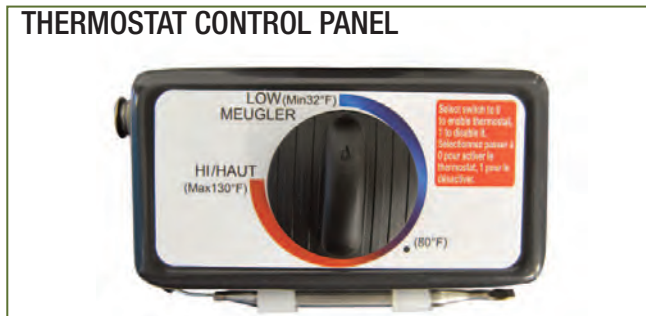
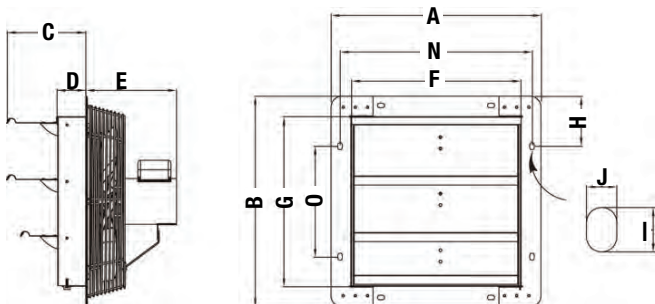
- Available in 10" to 30" sizes
- 600 to 5000 CFM
- Totally enclosed, class B insulation, thermally protected 120V motors
- 3 speed pull chain on all sizes except 30" which is 2 speed
- Galvanized frame with aluminum shutters
- Includes 25' pull chain and 6' long cord and plug
- Complete with adjustable thermostat and bypass, temperature range 32° F to 130° F (0° C to 54° C)



### SPECIFICATIONS

Model Number	Propeller Diameter	CFM	Motor RPM	Motor HP	Full Load Amps	Bearing Type	Speed Control	No. of Shutter Blades
<b>GSF3-10A</b>	10"	600	1520	1/25	0.56	Sleeve	3	3
<b>GSF3-12A</b>	12"	772	1610	1/20	0.6	Sleeve	3	3
<b>GSF3-16A</b>	16"	1200	1580	1/20	0.83	Ball	3	4
<b>GSF3-18A</b>	18"	1736	1070	1/15	0.9	Ball	3	5
<b>GSF3-20A</b>	20"	3368	1075	1/4	2.59	Ball	3	5
<b>GSF3-24A</b>	24"	4244	1050	1/4	2.65	Ball	3	6
<b>Two Speed</b>								
<b>GSF2-30B</b>	30"	5088	825	1/3	3.1	Ball	2	8

### DIMENSIONS



Model Number	Propeller Diameter	A	B	C	D	E	N	G	F	O	H	J	I	Suggested wall opening (sq)
<b>GSF3-10A</b>	10"	13"	13"	4 17/32"	2"	5 7/8"	11 21/32"	10 1/8"	10 1/8"	6"	3 17/32"	9/32"	1/2"	10 1/2"
<b>GSF3-12A</b>	12"	15"	15"	5 3/4"	2"	6 5/32"	13 5/8"	12 1/8"	12 1/8"	8"	3 17/32"	9/32"	1/2"	13"
<b>GSF3-16A</b>	16"	18 29/32"	18 29/32"	5 3/4"	2"	7 7/8"	17 3/4"	16"	16"	11 29/32"	3 17/32"	9/32"	1/2"	17"
<b>GSF3-18A</b>	18"	21"	21"	5 3/4"	2"	8 3/4"	19 11/16"	18"	18"	14"	3 17/32"	9/32"	1/2"	19"
<b>GSF3-20A</b>	20"	23"	23"	5 3/4"	2"	11"	21 25/32"	20"	20"	16"	3 17/32"	9/32"	1/2"	21"
<b>GSF3-24A</b>	24"	27"	27"	5 3/4"	2"	11"	25 21/32"	24 1/8"	24 1/8"	20 1/32"	3 17/32"	9/32"	1/2"	25"
<b>GSF2-30B</b>	30"	33"	33"	5 3/4"	3"	13 3/32"	31 5/8"	30 1/8"	30 1/8"	26"	3 17/32"	9/32"	1/2"	31"





**NEW** | now with  
**EC MOTORS**  
for energy savings

# ALX-UD & ALX-UD-EC SERIES - UPBLAST DIRECT DRIVE SPUN ALUMINUM EXHAUSTERS



UL705 POWER VENTILATOR  
FOR RESTAURANT  
EXHAUST APPLIANCES

Ideal for exhausting air from factories, offices, warehouses or commercial buildings. The ALX series spun aluminum exhaust fan can be used as either a roof top or wall mount exhaust fan.

**FEATURING PERFECT  
SPEED EC MOTORS - UP TO  
82% EFFICIENCY**

**ENERGY SAVINGS OF UP  
TO 70% OVER REGULAR  
DUTY PSC MOTORS**



## FEATURES

- Spun aluminum housing will not rust, chip or peel.
- Aluminum backward inclined wheel is non-overloading.
- Available with PSC or EC motors
- Variable speed PSC motors available on ALX 090/105/120/135
- All motors are 1 Phase 120/240V operation and can be operated at 50 or 60 Hz.
- All units can be wall mounted.
- Quick release latches for easy motor access

## DIMENSIONS

MODEL	DIMENSIONS (INCHES)								Wheel Diameter	Roof Opening	WEIGHT (lbs)
	A	B	C	C2	D	E	F	G Ø			
ALX090-UD**	14.25	17.75	19.00	-	9.50	2.00	-	-	9.00	13.00	30
ALX105-UD	18.00	25.00	19.00	21.00	13.00	1.50	3.50	0.38	10.50	15.00	35
ALX120-UD	19.00	25.00	19.00	21.00	13.00	1.50	3.50	0.38	12.25	15.00	37
ALX135-UD	22.25	32.13	21.00	24.75	17.13	2.00	3.75	0.44	13.50	17.00	53
ALX150-UD	23.13	32.13	21.00	24.75	17.13	2.00	3.75	0.44	15.00	17.00	58
ALX165-UD	27.13	37.50	24.75	28.00	21.13	2.00	4.00	0.44	16.50	20.75	100
ALX180-UD*	31.75	37.50	28.00	24.75	21.13	2.00	4.00	0.44	18.25	20.75	116
ALX210-UD*	36.25	43.75	33.13	40.00	25.50	2.50	4.00	0.44	21.00	29.00	178

\*EC motor option only

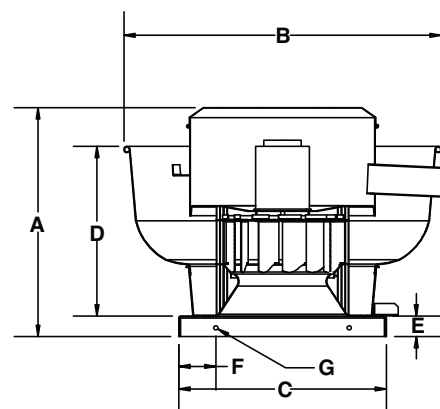
\*\* UL705 Only

## OPTIONS & ACCESSORIES

- Motorized damper
- Gravity (automatic) damper
- Wall mount bracket (for all sizes up to 24")
- Bird screen
- Grease collection box (required for UL705 Power Ventilator for Restaurant Exhaust Appliances)
- Curb hinge
- Disconnect switches
- Roof Curbs
- MC series solid state variable speed controls (ALX105-135 models)
- Remote mount potentiometer (available soon - EC models)
- Other base (curb cap) options available. See C2 in dimensions table.

## EC MOTORS

- EC motors offer true variable speed operation and up to 70% energy savings over PSC motors.
- On-board speed adjustment allows simple setup and balancing with LED display.
- Can be controlled remotely up to 50' using a remote mount potentiometer or 0-10V.



## DISCONNECT SWITCHES

- Wire disconnect switches are available. See Controls & Thermostats section for details.



UL705 Supplement SC - Power Ventilator for Restaurant Exhaust Appliances certified, refer to our UL705 Supplement SC - Power Ventilator for Restaurant Exhaust Appliances Catalogue page C in Roof Mount Ventilation for all installation requirements



Canarm certifies that the ALX-UD Series shown herein are licensed to bear the AMCA Seal. The ratings shown are based on tests and procedures performed in accordance with AMCA Publications 211 & 311 and comply with the requirements of the AMCA Certified Ratings Programme.

The AMCA certified ratings seal applies to air and sound performance only. The ALX-UD Series shown herein are not approved by AMCA for FEI ratings.

# ALX-UD & ALX-UD-EC SERIES UPBLAST DIRECT DRIVE SPUN ALUMINUM EXHAUSTERS



## PERFORMANCE SPECIFICATIONS & CFM RATINGS

UNIT	MOTOR			AIRFLOW (CFM) @ STATIC PRESSURE															
	HP	Variable Speed	Max RPM	0.0"		.25"		.5"		.75"		1.00"		1.25"		1.5"		2.0"	
				High	Low	High	Low	High	Low	High	Low	High	Low	High	Low	High	Low	High	Low
ALX090-UD008V***	1/12	Y	1650	525	275	425	100	340	100	-	-	-	-	-	-	-	-	-	-
ALX105-UD013V	1/8	Y*	1650	950	526	850	451	725	300	-	-	-	-	-	-	-	-	-	-
ALX105-UD033EC	1/3	Y*	1800	1051	217	954	319	866	393	732	440	534	483	-	-	-	-	-	-
ALX120-UD033V	1/3	Y*	1650	1400	977	1300	826	1175	751	1050	601	850	451	-	-	-	-	-	-
ALX120-UD050EC	1/2	Y	1800	1548	325	1422	336	1282	367	1133	395	947	408	633	438	-	-	-	-
ALX135-UD050V	1/2!	Y	1650	1950	-	1900	-	1800	-	1650	-	1550	-	1400	-	1300	-	-	-
ALX135-UD033EC	1/3	Y	1350	1578	400	1491	450	1346	600	1212	700	1053	850	-	-	-	-	-	-
ALX135-UD050EC	1/2	Y	1550	1850	400	1775	450	1650	600	1525	700	1375	850	1200	1000	-	-	-	-
ALX135-UD075EC	3/4	Y	1750	2100	400	2000	450	1900	600	1800	700	1700	850	1575	1000	1450	1100	-	-
ALX150-UD100S	1	N	1650	2450	-	2375	-	2275	-	2150	-	2050	-	1875	-	1700	-	-	-
ALX150-UD033EC	1/3	Y	1100	1735	600	1594	579	1403	663	1157	767	-	-	-	-	-	-	-	-
ALX150-UD050EC	1/2	Y	1350	2003	581	1934	688	1754	680	1595	733	1389	823	1114	765	-	-	-	-
ALX150-UD075EC	3/4	Y	1550	2353	696	2261	711	2161	733	2048	674	1917	827	1751	940	1574	980	1269	1052
ALX150-UD100EC	1	Y	1700	2544	647	2462	643	2361	732	2276	680	2173	830	2050	940	1896	972	1496	1144
ALX165-UD150S	1 1/2	N	1650	3400	-	3300	-	3200	-	3000	-	2900	-	2800	-	2600	-	2200	-
ALX165-UD050EC	1/2	Y	1200	2595	861	2372	800	2155	921	1970	1068	1687	1155	-	-	-	-	-	-
ALX165-UD075EC	3/4	Y	1350	2965	861	2780	800	2579	921	2427	1068	2236	1155	1986	1318	1682	1405	-	-
ALX165-UD100EC	1	Y	1500	3179	878	3004	851	2816	921	2662	1068	2507	1155	2293	1318	2064	1405	1749	1524
ALX180-UD100EC	1	Y	1200	3400	1100	3200	1225	3000	1350	2700	1475	2400	1625	2025	1750	-	-	-	-
ALX210-UD100EC	1	Y	900	4300	1700	4000	1750	3725	1800	3400	1850	2900	1950	2200	2025	-	-	-	-

EC motors can be controlled using the built in potentiometer on motor or by using a 0 to 10 V controller, or by a remote potentiometer.

\* Using MC5 (for 115V or MC5-230 (for 230V)

\*\* Using MC10 (for 115V or MC5-230 (for 230V)

\*\*\* UL705 Only

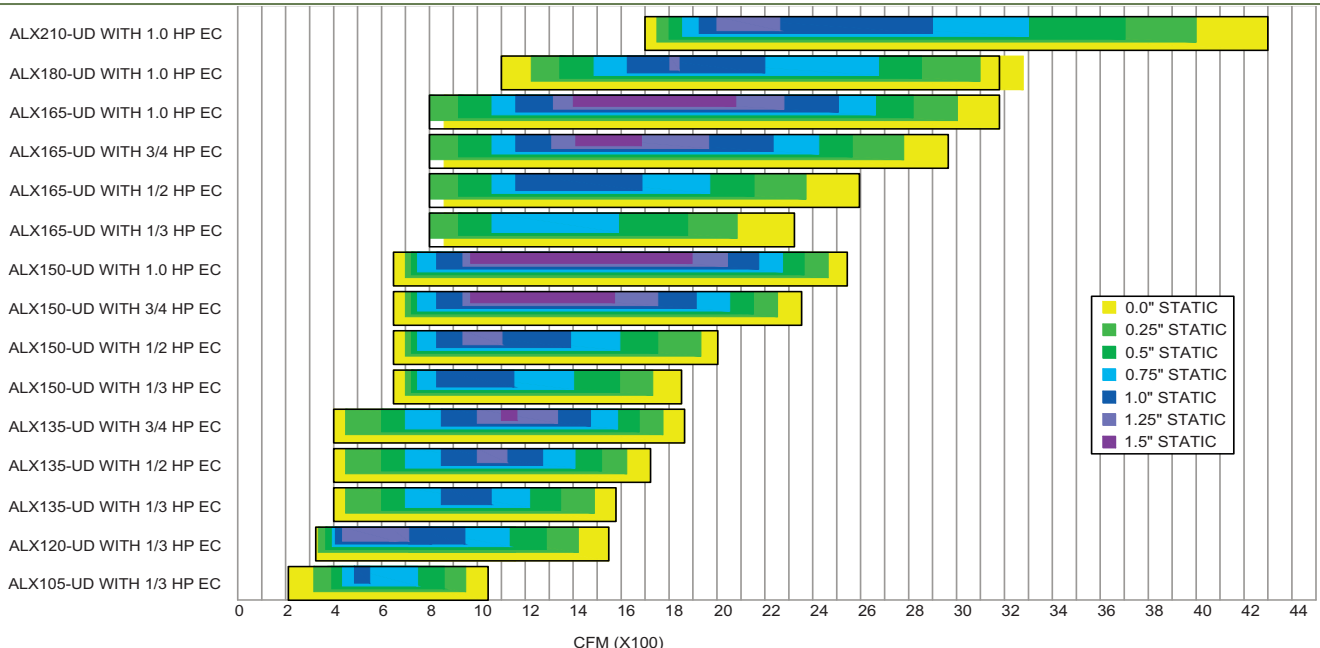
Minimum motor speed 425 RPM (EC Models)

Model	Motor			Airflow (CFM) @ Static Pressure															
	HP	Variable Speed	Max RPM	0" SP		1/4" SP		1/2" SP		3/4" SP		1" SP		1-1/4" SP		1-1/2" SP		1-3/4" SP	
				CFM	FEI	CFM	FEI	CFM	FEI	CFM	FEI	CFM	FEI	CFM	FEI	CFM	FEI	CFM	FEI
ALX150-UD100S	1	N	1650	2450	0.45	2375	0.67	2275	0.85	2150	1.01	2050	1.16	1875	1.25	1700	1.31	-	-
ALX150-UD100EC	1	Y	1700	2544	0.47	2462	0.69	2361	0.88	2276	1.06	2173	1.21	2050	1.34	1896	1.43	1496	1.33
ALX165-UD100EC	1	Y	1500	3179	0.53	3004	0.77	2816	0.97	2662	1.15	2507	1.3	2293	1.4	2064	1.46	1749	1.43
ALX180-UD100EC	1	Y	1200	3400	0.6	3200	0.86	3000	1.09	2700	1.24	2400	1.35	2025	1.36	-	-	-	-
ALX210-UD100EC	1	Y	900	4300	0.59	4000	0.85	3725	1.07	3400	1.23	2900	1.29	2200	1.19	-	-	-	-

Consult our Delair fan selection software for fan curves and performance data.

[www.canarm.com/delair](http://www.canarm.com/delair)

## ALX UPBLAST SERIES AIRFLOW RANGE WITH EC MOTORS



# ALX-UB SERIES - UPBLAST BELT DRIVE SPUN ALUMINUM EXHAUSTERS



Intertek  
**UL705 POWER VENTILATOR  
FOR RESTAURANT  
EXHAUST APPLIANCES**

## OPTIONS

- Motorized damper
- Gravity (automatic) damper
- Wall mount bracket (for all sizes up to 24")
- Bird screen
- Grease collection box (required for UL705 Power Ventilation for Restaurant Exhaust Appliances)
- Curb hinge
- Disconnect switches
- Roof curbs
- Other base (curb cap) options available. See C2 in dimensions table.

Ideal for exhausting air from restaurants, offices, warehouses or commercial buildings. The ALX series spun aluminum exhaust fan can be used as either a roof top or wall mount exhaust fan.

## FEATURES

- Spun aluminum housing will not rust, chip or peel.
- Aluminum backward inclined wheel is non-overloading.
- Belt drive.
- For motor options consult our fan selection software Delair. [www.canarm.com/delair](http://www.canarm.com/delair)
- Units up to 24" (max 2HP) can be wall mounted.
- Quick release latches for easy motor access.



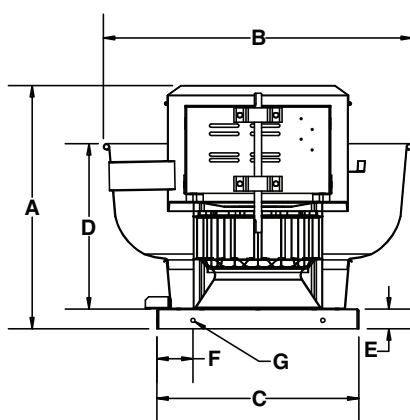
**QUICK RELEASE LATCHES  
FOR EASY MOTOR ACCESS**

## DIMENSIONS

**NOTE: DUE TO MOTOR MANUFACTURERS VARIANCES IN DESIGN, PLEASE SEE USER MANUAL FOR MOTOR DIMENSIONAL GUIDELINES.**

MODEL	DIMENSIONS (INCHES)								Shaft Size	Wheel Diameter	Roof Opening	WEIGHT (lbs) without motors
	A	B	C	C2	D	E	F	G Ø				
ALX135-UB	25.25	32.13	21.00	24.75	17.13	2.00	3.75	0.44	3/4"	13.50	17.00	43
ALX150-UB	26.13	32.13	21.00	24.75	17.13	2.00	3.75	0.44	3/4"	15.00	17.00	45
ALX165-UB	31.13	37.50	24.75	28.00	21.13	2.00	4.00	0.44	3/4"	16.50	20.75	108
ALX180-UB	31.75	37.50	28.00	24.75	21.13	2.00	4.00	0.44	3/4"	18.25	20.75	116
ALX210-UB	36.25	43.75	33.13	40.00	25.50	2.50	4.00	0.44	1"	21.00	29.00	178
ALX245-UB	37.00	43.75	33.13	40.00	25.50	2.50	4.00	0.44	1"	24.50	29.00	183

Note: Net weights for belt drive units do not include motor & drives.



UL705 Supplement SC - Power Ventilator for Restaurant Exhaust Appliances certified, refer to our UL705 Supplement SC - Power Ventilator for Restaurant Exhaust Appliances Catalogue page C in *Roof Mount Ventilation* for all installation requirements



Canarm certifies that the ALX-UB Series shown herein are licensed to bear the AMCA Seal. The ratings shown are based on tests and procedures performed in accordance with AMCA Publications 211 & 311 and comply with the requirements of the AMCA Certified Ratings Programme.

The AMCA certified ratings seal applies to air and sound performance only. The ALX-UB Series shown herein are not approved by AMCA for FEI ratings.

## DISCONNECT SWITCHES

- Wire disconnect switches are available. See Controls & Thermostats section for details.



# ALX-UB SERIES - UPBLAST BELT DRIVE SPUN ALUMINUM EXHAUSTERS

## PERFORMANCE SPECIFICATIONS

### ALX UB WITH MOTORS & DRIVES and wired disconnect

Single Phase	RPM Range	HP	RPM	Values @ 0.5" SP		0" SP		0.25" SP		0.5" SP		0.75" SP		1" SP		1.25" SP		1.5" SP		
				BHP	Sones	CFM	FEI	CFM	FEI	CFM	FEI	CFM	FEI	CFM	FEI	CFM	FEI	CFM	FEI	CFM
ALX135UBT10025**	862-1293	1/4	1078	0.15	8.6	1204	-	1053	-	870	-	-	-	-	-	-	-	-	-	-
ALX135UBT10033**	932-1398	1/3	1260	0.24	12.8	1405	-	1284	-	1143	-	964	-	-	-	-	-	-	-	-
ALX135UBT10050**	1122 - 1552	1/2	1458	0.36	16.5	1629	-	1523	-	1405	-	1274	-	1124	-	-	-	-	-	-
ALX150UBT10050**	932-1398	1/2	1288	0.41	20	1901	-	1801	-	1666	-	1470	-	1239	-	-	-	-	-	-
ALX150UBT10075**	1078-1617	3/4	1528	0.67	27	2261	-	2175	-	2079	-	1949	-	1786	-	1599	-	1364	-	-
ALX150UBT10100	1341-1820	1	1653	0.85	31	2443	0.40	2367	0.59	2280	0.76	2175	0.90	2040	1.02	1877	1.11	1705	1.16	-
ALX165UBT10100	1097-1489	1	1323	0.66	21	2598	0.53	2471	0.76	2350	0.97	2170	1.13	1954	1.24	1709	1.29	-	-	-
ALX165UBT10150	1254-1646	1.5	1554	1.03	26	3050	0.40	2929	0.58	2847	0.75	2724	0.90	2576	1.03	2391	1.12	2192	1.18	-
ALX180UBT10100	980-1293	1	1241	0.95	25	3504	0.48	3327	0.69	3114	0.87	2871	1.02	2584	1.11	2261	1.16	-	-	-
ALX180UBT10200	1097-1489	2	1403	1.35	30	3967	0.37	3805	0.55	3636	0.71	3438	0.84	3202	0.95	2952	1.03	2673	1.07	-
ALX210UBT10150	862-1132	1.5	1017	1.38	21	4792	0.43	4488	0.63	4152	0.78	3761	0.90	3321	0.97	2705	0.94	-	-	-
ALX245UBT10150	673-889	1.5	790	1.22	18.9	5668	0.56	5208	0.80	4655	0.97	3907	1.04	2998	1.00	-	-	-	-	-
ALX245UBT10200	745-979	2	862	1.58	22	6186	0.47	5772	0.68	5289	0.84	4678	0.95	3930	0.97	2975	0.89	-	-	-
ALX245UBT10300	862-1132	3	964	2.20	28	6913	0.38	6562	0.57	6146	0.72	5666	0.84	5075	0.91	4403	0.94	3588	0.90	-
<b>Three Phase</b>																				
ALX150UBT30100*	1341-1820	1	1653	0.85	31	2443	0.40	2367	0.59	2280	0.76	2175	0.90	2040	1.02	1877	1.11	1705	1.16	-
ALX165UBT30100*	1097-1489	1	1323	0.66	21	2598	0.53	2471	0.76	2350	0.97	2170	1.13	1954	1.24	1709	1.29	-	-	-
ALX165UBT30150*	1254-1646	1.5	1554	1.03	26	3050	0.40	2929	0.58	2847	0.75	2724	0.90	2576	1.03	2391	1.12	2192	1.18	-
ALX180UBT30100*	980-1293	1	1241	0.95	25	3504	0.48	3327	0.69	3114	0.87	2871	1.02	2584	1.11	2261	1.16	-	-	-
ALX180UBT30200*	1097-1489	2	1403	1.35	30	3967	0.37	3805	0.55	3636	0.71	3438	0.84	3202	0.95	2952	1.03	2673	1.07	-
ALX210UBT30150*	862-1132	1.5	1017	1.38	21	4792	0.43	4488	0.63	4152	0.78	3761	0.90	3321	0.97	2705	0.94	-	-	-
ALX245UBT30150*	673-889	1.5	790	1.22	18.9	5668	0.56	5208	0.80	4655	0.97	3907	1.04	2998	1.00	-	-	-	-	-
ALX245UBT30200*	745-979	2	862	1.58	22	6186	0.47	5772	0.68	5289	0.84	4678	0.95	3930	0.97	2975	0.89	-	-	-
ALX245UBT30300*	862-1132	3	964	2.20	28	6913	0.38	6562	0.57	6146	0.72	5666	0.84	5075	0.91	4403	0.94	3588	0.90	-

\*\* 115V only. All other motors will be wired at high voltage.

\*For three phase motors, substitute “\*\*” with “M” for 230/460 volt (wired for 460V) or “P” for 575 volt

UL705 = 1Ø Only

### ALX UB WITHOUT MOTORS & DRIVES

MODEL	MIN HP	MAX HP	MAX RPM	TYPICAL MAXIMUM CFM @ SP																	
				0"		0.25"		0.5"		0.75"		1"		1.25"		1.5"		2"		2.25"	
				CFM	FEI	CFM	FEI	CFM	FEI	CFM	FEI	CFM	FEI	CFM	FEI	CFM	FEI	CFM	FEI	CFM	FEI
ALX135-UB		3/4	1800	2000	0.59	1900	0.60	1800	0.79	1700	0.89	1600	0.99	1500	1.06	1400	1.09	-	-	-	-
ALX150-UB	1/4	1.5	1800	2700	0.97	2600	0.55	2500	0.70	2300	0.85	2200	0.94	2000	1.01	1800	1.07	1400	1.06	-	-
ALX165-UB	1/4	2	1800	3500	1.37	3400	0.49	3400	0.59	3300	0.69	3200	0.78	3000	0.87	2900	0.92	2500	1.01	2400	1.02
ALX180-UB	1/4	2	1500	4200	1.42	4100	0.53	3900	0.68	3800	0.77	3600	0.86	3300	0.93	3100	0.96	2500	1.01	1600	0.95
ALX210-UB	1/2	3	1300	6100	2.62	5900	0.42	5700	0.53	5400	0.64	5100	0.73	4800	0.81	4400	0.87	3600	0.93	2900	0.92
ALX245-UB	1/2	5	1200	7800	3.42	7500	0.42	7300	0.53	7000	0.64	6600	0.64	6200	0.80	5700	0.86	4500	0.91	3800	0.90

Consult our Delair fan selection software for full fan curves and performance data.  
[www.canarm.com/delair](http://www.canarm.com/delair)

\* Motor adaptor plate required for 3HP+



View FEI charts  
[canarm.com/fei-alex](http://canarm.com/fei-alex)

**NEW** | now with  
**EC MOTORS**  
for energy savings

# ALX-DD & ALX-DD-EC SERIES DOWNBLAST DIRECT DRIVE SPUN ALUMINUM EXHAUSTERS



QUICK RELEASE  
LATCH FOR  
EASY MOTOR  
ACCESS



Ideal for exhausting air from factories, offices, warehouses or commercial buildings. The ALX series spun aluminum exhaust fan can be used as either a roof top or wall mount exhaust fan.

**FEATURING PERFECT  
SPEED EC MOTORS - UP TO  
82% EFFICIENCY**

**ENERGY SAVINGS OF UP  
TO 70% OVER REGULAR  
DUTY PSC MOTORS**



## FEATURES

- Spun aluminum housing will not rust, chip or peel.
- Aluminum backward inclined wheel is non-overloading.
- Available with PSC or EC Motors
- Variable speed PSC Motors available on ALX 090/105/120/135
- All motors are 1 Phase 120/240V operation and can be operated at 50 or 60 Hz.
- All units can be wall mounted.
- Quick release latches for easy motor access on ALX135 – ALX165.

## EC MOTORS

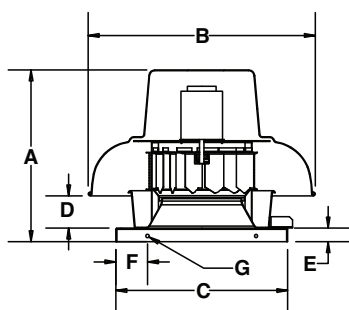
- EC motors offer true variable speed operation and up to 70% energy savings over PSC motors.
- On-board speed adjustment allows simple setup and balancing with LED display.
- Can be controlled remotely up to 50' using a remote mount potentiometer or 0-10V.

## DIMENSIONS

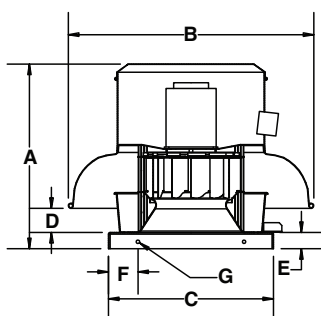
MODEL	DIMENSIONS (INCHES)										WEIGHT (lbs)
	A	B	C	C2	D	E	F	G Ø	Wheel Diameter	Roof Opening	
ALX090-DD	14.5	20.75	19	-	-	2	-	-	9	13	30
ALX105-DD	18.00	25.00	19.00	21.00	2.50	1.50	3.50	0.38	10.50	15.00	33
ALX120-DD	19.00	25.00	19.00	21.00	3.50	1.50	3.50	0.38	12.25	15.00	35
ALX135-DD	22.25	31.25	21.00	24.75	3.13	2.00	3.75	0.44	13.50	17.00	51
ALX150-DD	23.13	31.25	21.00	24.75	3.75	2.00	3.75	0.44	15.00	17.00	56
ALX165-DD	27.13	36.25	24.75	28.00	5.00	2.00	4.00	0.44	16.50	20.75	100
ALX180-DD*	31.75	36.25	28.00	24.75	5.50	2.00	4.00	0.44	18.25	20.75	114
ALX210-DD*	36.25	43.75	33.13	40.00	5.25	2.50	4.00	0.44	21.00	29.00	176

\*EC motor option only

ALX105 / 120 - DD



ALX135 / 150 / 165 / 180 - DD



## OPTIONS & ACCESSORIES

- Motorized damper
- Gravity (automatic) damper
- Wall mount bracket (for all sizes up to 24")
- Bird screen
- Curb hinge
- Disconnect switches
- Roof Curbs
- MC series solid state variable speed controls (ALX 150/120 and 135)
- Remote mount potentiometer (available soon - EC models)
- Other base (curb cap) options available. See C2 in dimensions table.



Canarm certifies that the ALX-DD Series shown herein are licensed to bear the AMCA Seal. The ratings shown are based on tests and procedures performed in accordance with AMCA Publications 211 & 311 and comply with the requirements of the AMCA Certified Ratings Programme.

The AMCA certified ratings seal applies to air and sound performance only. The ALX-DD Series shown herein are not approved by AMCA for FEI ratings.



# ALX-DD & ALX-DD-EC SERIES - DOWNBLAST DIRECT DRIVE SPUN ALUMINUM EXHAUSTERS

## PERFORMANCE SPECIFICATIONS & CFM RATINGS

Model	Motor			Airflow (CFM) @ Static Pressure															
	HP	Variable Speed	Max RPM	0.0"		.25"		.5"		.75"		1.00"		1.25"		1.5"		1.75"	
				High	Low	High	Low	High	Low	High	Low	High	Low	High	Low	High	Low	High	Low
ALX090-DD008V	1/12	Y	1650	500	250	425	100	300	100	-	-	-	-	-	-	-	-	-	-
ALX105-DD013V	1/8	Y*	1650	950	526	875	451	760	225	-	-	-	-	-	-	-	-	-	-
ALX105-DD033EC	1/3	Y	1800	1100	239	1003	335	877	396	729	460	486	486	-	-	-	-	-	-
ALX120-DD033V	1/3	Y*	1650	1300	977	1200	901	1000	751	800	601	600	451	-	-	-	-	-	-
ALX120-DD033EC	1/3	Y	1700	1544	341	1406	400	1279	436	1095	438	810	472	-	-	-	-	-	-
ALX120-DD050EC	1/2	Y	1800	1610	341	1477	400	1357	436	1201	438	955	472	571	484	-	-	-	-
ALX135-DD050V	1/2	Y	1650	1950	-	1900	-	1800	-	1650	-	1550	-	1400	-	1300	-	-	-
ALX135-DD033EC	1/3	Y	1350	1578	414	1469	494	1341	574	1194	750	1009	865	-	-	-	-	-	-
ALX135-DD050EC	1/2	Y	1550	1843	414	1747	494	1645	574	1530	750	1405	865	1258	919	-	-	-	-
ALX135-DD075EC	3/4	Y	1800	2150	414	2075	494	2000	574	1900	750	1700	865	1600	919	1450	977	-	-
ALX150-DD100S	1	N	1650	2600	-	2500	-	2400	-	2250	-	2075	-	1950	-	1775	-	-	-
ALX150-DD033EC	1/3	Y	1250	2000	570	1800	499	1525	633	1225	812	-	-	-	-	-	-	-	-
ALX150-DD050EC	1/2	Y	1200	2133	570	2003	499	1842	633	1640	812	1430	866	1175	879	-	-	-	-
ALX150-DD075EC	3/4	Y	1480	2700	570	2550	499	2350	633	2100	812	1925	866	1700	879	1420	1072	-	-
ALX150-DD100EC	1	Y	1700	2950	570	2800	499	2625	633	2450	812	2250	866	2050	879	1850	1072	2575	1116
ALX165-DD150S	1 1/2	N	1650	3500	-	3400	-	3200	-	3100	-	2900	-	2700	-	2600	-	2100	-
ALX165-DD033EC	1/3	Y	1100	2264	860	2034	825	1787	1044	1470	1194	-	-	-	-	-	-	-	-
ALX165-DD050EC	1/2	Y	1250	2529	860	2328	825	2115	1044	1861	1194	1568	1320	-	-	-	-	-	-
ALX165-DD075EC	3/4	Y	1450	2909	860	2731	825	2546	1044	2362	1194	2132	1320	1879	1441	-	-	-	-
ALX165-DD100EC	1	Y	1600	3250	860	3100	825	3000	1044	2850	1194	2650	1320	2500	1441	2350	1545	-	-
ALX180-DD100EC	1	Y	1200	3800	1300	3625	1380	3325	1450	3000	1550	2650	1650	2200	1750	-	-	-	-
ALX210-DD100EC	1	Y	900	4400	1800	4000	1825	3600	1875	3200	1900	2400	1925	-	-	-	-	-	-

EC motors can be controlled using the built in potentiometer on motor or by using a 0 to 10 V controller, or by a remote potentiometer.

\* Using MC5 (for 115V or MC5-230 (for 230V)

\*\* Using MC10 (for 115V or MC5-230 (for 230V)

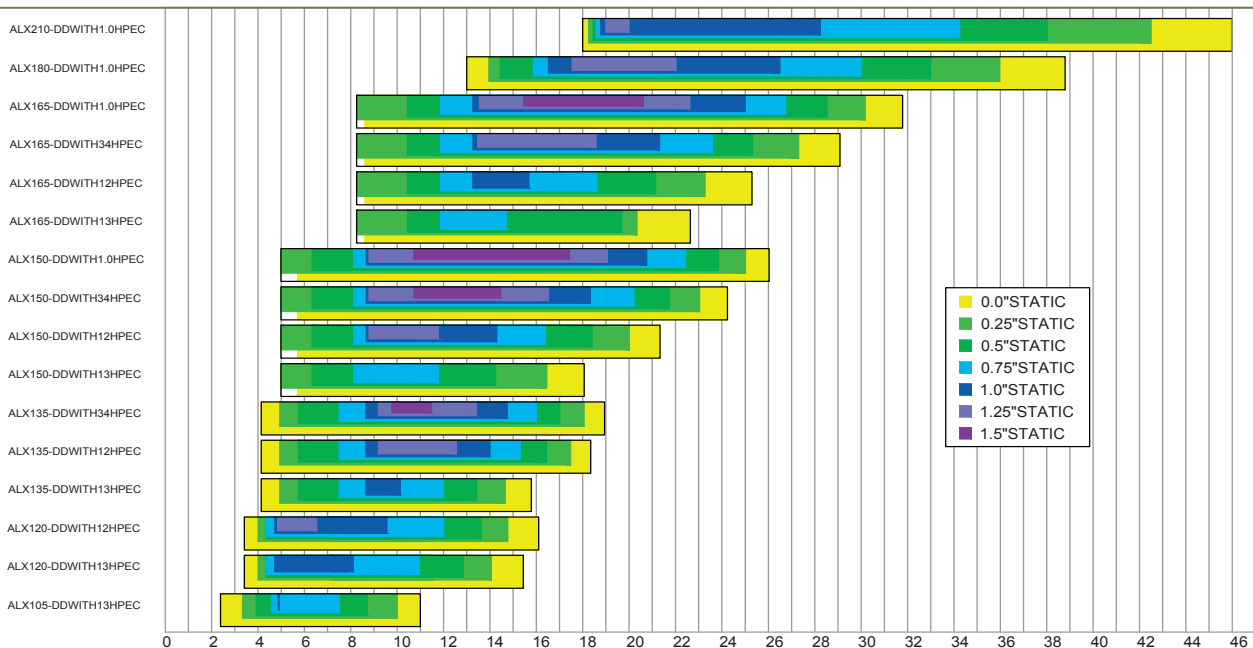
Minimum motor speed 425 RPM (EC Models)

Model	Motor			Airflow (CFM) @ Static Pressure															
	HP	Variable Speed	Max RPM	0" SP		1/4" SP		1/2" SP		3/4" SP		1" SP		1-1/4" SP		1-1/2" SP		1-3/4" SP	
				CFM	FEI	CFM	FEI	CFM	FEI	CFM	FEI	CFM	FEI	CFM	FEI	CFM	FEI	CFM	FEI
ALX150-DD100S	1	N	1650	2600	0.58	2500	0.85	2400	1.08	2250	1.28	2075	1.43	1950	1.57	1775	1.66	-	-
ALX150-DD100EC	1	Y	1700	2950	0.64	2800	0.92	2625	1.16	2450	1.37	2250	1.52	2050	1.64	1850	1.71	2575	2.5
ALX165-DD100EC	1	Y	1600	3250	0.55	3100	0.79	3000	1.03	2850	1.23	2650	1.38	2500	1.52	2350	1.65	-	-
ALX180-DD100EC	1	Y	1200	3800	0.51	3625	0.75	3325	0.93	3000	1.07	2650	1.15	2200	1.15	-	-	-	-
ALX210-DD100EC	1	Y	900	4400	0.63	4000	0.89	3600	1.08	3200	1.22	2400	1.15	-	-	-	-	-	-

Consult our Delair fan selection software for fan curves and performance data.

[www.canarm.com/delair](http://www.canarm.com/delair)

## ALX DOWNBLAST SERIES AIRFLOW RANGE WITH EC MOTORS





# ALX-DB SERIES - DOWNBLAST BELT DRIVE SPUN ALUMINUM EXHAUSTERS

Ideal for exhausting air from factories, offices, warehouses or commercial buildings. The ALX series spun aluminum exhaust fan can be used as either a roof top or wall mount exhaust fan.

## FEATURES

- Spun aluminum housing will not rust, chip or peel.
- Aluminum backward inclined wheel is non-overloading.
- Belt drive
- For motor options consult our fan selection software Delair.  
[www.canarm.com/delair](http://www.canarm.com/delair)
- Units up to 24" (max 2HP) can be wall mounted.
- Quick release latches for easy motor access.
- Standard bird screen.



## OPTIONS & ACCESSORIES

- Motorized damper
- Gravity (automatic) damper
- Wall mount bracket (for all sizes up to 24")
- Roof curb
- Disconnect switch
- Hinge kits
- VFD for 3 phase motors
- Other base (curb cap) options available. See C2 in dimensions table.



**QUICK RELEASE LATCH FOR  
EASY MOTOR ACCESS**

## DIMENSIONS

**NOTE: DUE TO MOTOR MANUFACTURERS VARIANCES IN DESIGN, PLEASE SEE USER MANUAL FOR MOTOR DIMENSIONAL GUIDELINES.**

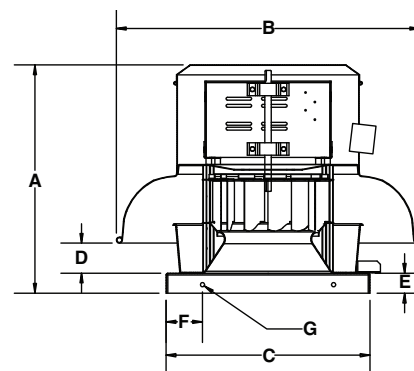
MODEL	DIMENSIONS (INCHES)											WEIGHT (lbs) without motors
	A	B	C	C2	D	E	F	G Ø	Shaft Size	Wheel Diameter	Roof Opening	
ALX135-DB	25.25	31.25	21.00	24.75	3.13	2.00	3.75	0.44	3/4"	13.50	17.00	41
ALX150-DB	26.13	31.25	21.00	24.75	3.75	2.00	3.75	0.44	3/4"	15.00	17.00	43
ALX165-DB	31.13	36.25	24.75	28.00	5.00	2.00	4.00	0.44	3/4"	16.50	20.75	106
ALX180-DB	31.75	36.25	28.00	24.75	5.50	2.00	4.00	0.44	3/4"	18.25	20.75	114
ALX210-DB	36.25	43.75	33.13	40.00	5.25	2.50	4.00	0.44	1"	21.25	29.00	176
ALX245-DB	37.00	43.75	33.13	40.00	5.88	2.50	4.00	0.44	1"	24.50	29.00	181

Note: Net weights for belt drive units do not include motor & drives.



Canarm certifies that the ALX-DB Series shown herein are licensed to bear the AMCA Seal. The ratings shown are based on tests and procedures performed in accordance with AMCA Publications 211 & 311 and comply with the requirements of the AMCA Certified Ratings Programme.

The AMCA certified ratings seal applies to air and sound performance only. The ALX-DB Series shown herein are not approved by AMCA for FEI ratings.





# ALX-DB SERIES - DOWNBLAST BELT DRIVE SPUN ALUMINUM EXHAUSTERS

## PERFORMANCE SPECIFICATIONS

### ALX DB WITH MOTORS & DRIVES and wired disconnect

Single Phase	RPM Range	HP	RPM	Values @ 0.5" SP		0" SP		0.25" SP		0.5" SP		0.75" SP		1" SP		1.25" SP		1.5" SP		
				BHP	Sones	CFM	FEI	CFM	FEI	CFM	FEI	CFM	FEI	CFM	FEI	CFM	FEI	CFM	FEI	CFM
ALX135DBT10025**	862-1293	1/4	1091	0.18	9.6	1303	-	1162	-	967	-	-	-	-	-	-	-	-	-	-
ALX135DBT10033**	932-1398	1/3	1255	0.27	12.9	1498	-	1383	-	1226	-	1050	-	-	-	-	-	-	-	-
ALX135DBT10050**	1121 - 1552	1/2	1441	0.4	16.3	1722	-	1623	-	1501	-	1351	-	1191	-	-	-	-	-	-
ALX150DBT10050**	932-1398	3/4	1185	0.35	16.6	1856	-	1708	-	1497	-	1143	-	-	-	-	-	-	-	-
ALX150DBT10075**	1078-1617	3/4	1401	0.56	23	2196	-	2072	-	1920	-	1732	-	1548	-	1297	-	-	-	-
ALX150DBT10100	1340-1820	1	1515	0.7	26	2376	0.47	2264	0.68	2132	0.86	1964	0.99	1792	1.10	1604	1.17	1353	1.16	
ALX165DBT10100	1097-1489	1	1249	0.61	21	2600	0.57	2509	0.83	2300	1.03	2089	1.18	1828	1.26	1427	1.21	-	-	
ALX165DBT10150	1254-1646	1.5	1455	0.94	26	3100	0.43	2993	0.64	2800	0.80	2630	0.95	2427	1.06	2204	1.14	1980	1.18	
ALX180DBT10100	980-1293	1	1111	0.83	21	3682	0.56	3420	0.80	3090	0.99	2706	1.10	2239	1.12	-	-	-	-	
ALX180DBT10200	1097-1489	2	1242	1.14	27	4089	0.45	3878	0.65	3605	0.82	3296	0.95	3966	1.32	2526	1.05	1936	0.96	
ALX210DBT10150	862-1132	1.5	977	1.12	19.3	4860	0.53	4551	0.77	4104	0.94	3570	1.04	2920	1.05	-	-	-	-	
ALX245DBT10150	673-889	1.5	800	1.38	19.4	5910	0.51	5415	0.73	4759	0.88	4068	0.96	3170	0.93	-	-	-	-	
ALX245DBT10200	745-979	2	871	1.76	23	6428	0.44	5979	0.63	5404	0.77	4794	0.87	4080	0.91	-	-	-	-	
ALX245DBT10300	862-1132	3	973	2.44	27	7188	0.36	6797	0.53	6313	0.67	5761	0.77	5231	0.85	4563	0.88	3769	0.85	
<b>Three Phase</b>																				
ALX150DBT30100*	1340-1820	1	1515	0.7	26	2376	0.47	2264	0.68	2132	0.86	1964	0.99	1792	1.10	1604	1.17	1353	1.16	
ALX165DBT30100*	1097-1489	1	1249	0.61	21	2600	0.57	2509	0.83	2300	1.03	2089	1.18	1828	1.26	1427	1.21	-	-	
ALX165DBT30150*	1254-1646	1.5	1455	0.94	26	3100	0.43	2993	0.64	2800	0.80	2630	0.95	2427	1.06	2204	1.14	1980	1.18	
ALX180DBT30100*	980-1293	1	1111	0.83	21	3682	0.56	3420	0.80	3090	0.99	2706	1.10	2239	1.12	-	-	-	-	
ALX180DBT30200*	1097-1489	2	1242	1.14	27	4089	0.45	3878	0.65	3605	0.82	3296	0.95	3966	1.32	2526	1.05	1936	0.96	
ALX210DBT30150*	862-1132	1.5	977	1.12	19.3	4860	0.53	4551	0.77	4104	0.94	3570	1.04	2920	1.05	-	-	-	-	
ALX245DBT30150*	673-889	1.5	800	1.38	19.4	5910	0.51	5415	0.73	4759	0.88	4068	0.96	3170	0.93	-	-	-	-	
ALX245DBT30200*	745-979	2	871	1.76	23	6428	0.44	5979	0.63	5404	0.77	4794	0.87	4080	0.91	-	-	-	-	
ALX245DBT30300*	862-1132	3	973	2.44	27	7188	0.36	6797	0.53	6313	0.67	5761	0.77	5231	0.85	4563	0.88	3769	0.85	

\*\* 115V only. All other motors will be wired at high voltage.

\*For three phase motors, substitute "\*\*" with "M" for 230/460 volt (wired for 460V) or "P" for 575 volt

UL705 = 1Ø Only

### ALX DB WITHOUT MOTORS & DRIVES

MODEL	MIN HP	MAX HP	MAX RPM	TYPICAL MAXIMUM CFM @ SP																	
				0"		0.25"		0.5"		0.75"		1"		1.25"		1.5"		2"		2.25"	
				CFM	FEI	CFM	FEI	CFM	FEI	CFM	FEI	CFM	FEI	CFM	FEI	CFM	FEI	CFM	FEI	CFM	FEI
ALX135-DB		3/4	1800	2200	0.41	2100	0.59	2000	0.74	1800	0.91	1700	0.98	1500	1.09	1400	1.13	1000	1.07	-	-
ALX150-DB	1/4	1	1800	2600	0.38	2500	0.53	2300	0.68	2200	0.77	2000	0.87	1800	0.94	1600	0.98	1200	0.93	800	0.84
ALX165-DB	1/4	2	1800	3700	0.32	3600	0.46	3500	0.58	3300	0.71	3200	0.78	3000	0.87	2900	0.91	2600	1.00	2400	1.02
ALX180-DB	1/4	2	1500	4200	0.35	4100	0.48	3900	0.61	3700	0.71	3500	0.80	3300	0.86	3100	0.91	2500	0.97	2100	0.96
ALX210-DB	1/2	3	1300	5700	0.34	5700	0.47	5500	0.59	5200	0.70	4900	0.79	4500	0.87	4100	0.93	2900	0.94	1800	0.89
ALX245-DB	1/2	5	1200	8800	0.25	8500	0.37	8200	0.46	7800	0.55	7300	0.63	6900	0.69	6500	0.74	5400	0.80	4700	0.82

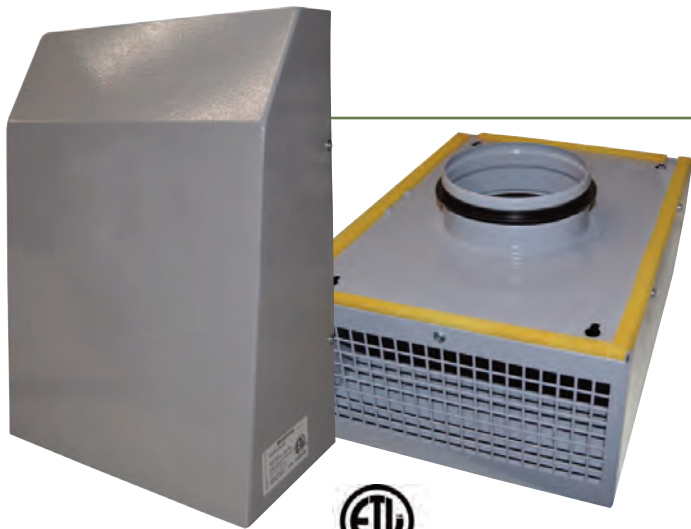
Consult our Delair fan selection software for fan curves and performance data.  
Download Delair at [www.canarm.com/delair](http://www.canarm.com/delair)

\* Motor adaptor plate required for 3HP+



View FEI charts  
[canarm.com/fei-alex](http://canarm.com/fei-alex)





# VCN SERIES

## Outdoor Wall-Mounted Centrifugal Fans

For high static pressure applications. Ideal for bathroom exhaust, kitchen ventilation, living areas, whole house ventilation, workshops & smoking areas, offices, bars & restaurants, warehouses, and more.

The VCN series outdoor wall-mounted exhaust fan is ideal for residential and commercial applications where quiet and powerful exhaust is required and the space is limited. It allows powerful air extraction from one or more points and is suitable for connection to long duct runs. The external installation guarantees a noise-free solution for homes, offices, and commercial facilities. Fans have a casing made of steel with polymer coating and insect proof mesh. Motors are supplied with automatic reset thermal protection, and are equipped with ball bearings for longer service life (40,000 hrs). The VCN series fans have been specifically designed for simple installation and many years of maintenance free operation. The casing is removable for immediate access to the motor and wiring connections. The VCN series sizes range from 4" to 8", with airflows ranging up to 306 CFM. Low noise, smooth and reliable operation are the attributes of VCN centrifugal fans.

### FEATURES

- High airflow and static pressure applications
- Quiet & efficient, vibration free operation
- Durable and corrosion resistant casing
- Durable, external rotor motor design
- Permanently lubricated ball bearing motors for maintenance-free operation
- Automatic reset thermal overload protection
- Casing can be easily removed for cleaning
- Rated for continuous operation
- Optimized efficiency, low maintenance costs
- Five year warranty

For more information on available accessories, see pages J8-J11 in Accessories & Motors section.

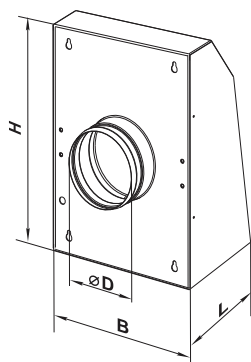


### PERFORMANCE SPECIFICATIONS

MODEL	SONES	RPM*	WATTS*	DUCT DIA.	CFM VS. STATIC PRESSURE (Ps) IN WG				
					0"	0.25"	0.5"	1.0"	1.5"
VCN 100	7.2	3100	108	4"	238	223	204	134	30
VCN 125	7.1	2950	108	5"	248	231	213	146	25
VCN 150	7.84	2250	109	6"	302	286	256	159	37
VCN 200	8.1	2300	106	8"	306	291	258	148	9

\* The parameters RPM, Watts are indicated at 0.2 in WG static pressure.

### DIMENSIONS



MODEL	DIMENSIONS (Inches)				WEIGHT (lbs)
	ØD	H	B	L	
VCN 100	3 15/16"	14"	10 1/4"	5 7/16"	9
VCN 125	4 15/16"	14"	10 1/4"	5 7/16"	9
VCN 150	5 7/8"	15 3/4"	11 13/16"	5 7/16"	9.9
VCN 200	7 7/8"	15 3/4"	11 13/16"	5 7/16"	9.9

# OV1 SERIES

## Axial Fans



Specifically designed for direct air exhaust through the wall, the OV1 series fans are perfect ventilation solutions for parking garages, agricultural facilities and stores. These fans can effectively and quietly handle the major ventilation challenges without taking up valuable space.

### FEATURES

- Voltage: 120 V, 60 Hz
- Motor: Single-phase asynchronous motor
- Duct compatibility: Ø 8 3/16", 10 5/16", 12 5/16"
- Airflow capacity: up to 766 CFM
- Sones: 2.5 – 5.1
- Power consumption: 43 – 109 W
- Suitable for working airstreams up to 32-104 °F
- IPX4 protection
- Thermal overload protection
- Five year warranty



### CASING

The fan's body is made of steel with polymeric coating while the impeller is made of aluminum.

### MOTOR

Asynchronous motor on ball bearings and thermal protection ensure the safe and smooth operation.

### INSTALLATION BENEFITS

Fans arrive fully assembled and ready for immediate installation. The removable housing allows easy access to the motor and wiring connection.



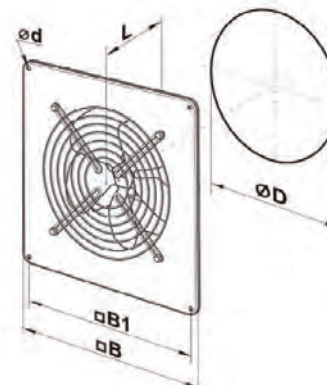
INSTALLATION EXAMPLE

### SPECIFICATIONS

MODEL	RPM	SONES	DUCT DIA.	MAX WATTS	MAX AMPS	CFM vs. STATIC PRESSURE (Ps) in WG				MAX Ps	VOLTS
						0"	0.125"	0.25"	0.375"		
OV1 200	1680	2.5	8 3/16"	43	0.63	262	211	56	-	0.3	115
OV1 250	1640	4.1	10 5/16"	84	1.17	475	428	288	113	0.45	115
OV1 315	1430	5.1	12 5/16"	109	1.37	766	626	-	-	0.15	115

### DIMENSIONS

MODEL	DIMENSIONS				
	ØD	Ød	B	B1	L
OV1 200	8 3/16"	1/4"	12 5/16"	10 1/4"	4 3/4"
OV1 250	10 5/16"	1/4"	14 9/16"	12 5/8"	5 1/2"
OV1 315	12 5/16"	3/8"	16 15/16"	14 15/16"	6 11/16"





# LD SERIES

## Axial Fans

Axial extract LD fans are the perfect ventilation solution for modern kitchens, and bathrooms. The flat, square shaped front cover matches even the most sophisticated interior. Perfect for contemporary and modern design applications. The fans can be mounted on a wall or ceiling, and are compatible with 4", 5", and 6" ducts. No additional mounting box or special tools needed; easy installation with the help of screws and hose clamp. The fans can be connected to the supply through a switch, cord or dimmer.

**Caution: The fans must not be used in bath or shower enclosures.**

### FEATURES

- 4", 5", 6" sizes
- Speed controllable
- Quiet and powerful
- Vibration free operation
- Easy installation
- Corrosion resistant
- UV resistant, UL94 certified plastic
- ETL listed

### MOTOR

- Reliable and low-watt electric motor.
- Designed for continuous operation and requires no maintenance.
- Equipped with overheating protection.

### APPLICATIONS

- Bathroom exhaust
- Kitchen ventilation
- Living area



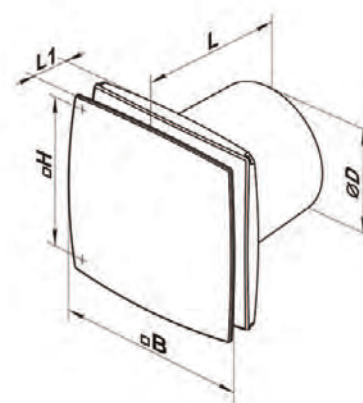
Mounting Example

### SPECIFICATIONS

MODEL	RPM	SONES	DUCT DIA.	WATTS	AMPS	CFM vs. STATIC PRESSURE (Ps) in WG		MAX Ps	VOLTS
						0"	0.03"		
<b>VENTS 100 LD</b>	2975	1.37	4"	13.9	0.18	44	42	0.15	120/60 Hz
<b>VENTS 125 LD</b>	2400	2.16	5"	15.5	0.19	79	63	0.16	120/60 Hz
<b>VENTS 150 LD</b>	2337	3	6"	32.9	0.39	109	92	-	120/60 Hz

### DIMENSIONS

MODEL	DIMENSIONS				
	ØD	B	H	L	L1
<b>VENTS 100 LD</b>	6"	4 3/4"	4 15/16"	3 15/16"	1 3/16"
<b>VENTS 125 LD</b>	6 15/16"	5 1/2"	5 5/16"	4 15/16"	1 5/16"
<b>VENTS 150 LD</b>	6 15/16"	6 1/16"	6 1/16"	5 7/8"	1 7/16"



### ACCESSORIES

- Air Ducts
- Grilles and Hoods
- Backdraft Dampers
- Speed Controls
- Clamps

For more information on available accessories, see pages J8-J11 in Accessories & Motors section.

# MA SERIES

## Axial Fans



Axial extract MA fans with automatic shutters are designed for through the wall or wall mount application. Air performance tested as per AMCA standards.

Certified by ETL and conforms to UL & ULC electrical safety standards.

### FEATURES

- Sizes available from 4", 5", 6"
- Quiet and powerful
- Automatic shutters
- Vibration free operation
- Easy installation
- Corrosion resistant
- UV resistant, UL94 certified plastic
- ETL listed

### APPLICATIONS

- Bathroom exhaust
- Living area

### MOTOR

Sleeve bearing motor ensures quiet operation and designed for operation up to 20,000 hours. Suitable for air stream temperature from 34 °F to 113 °F.



FAN OFF - LOUVER SHUTTERS CLOSED



FAN ON - LOUVER SHUTTERS OPEN



MOUNTING EXAMPLE

### SPECIFICATIONS

MODEL	RPM	SONES	DUCT DIA.	WATTS	AMPS	CFM vs. STATIC PRESSURE (Ps) in WG		MAX Ps	VOLTS
						0"	0.03"		
VENTS 100 MA	2756	1.82	4"	17	0.18	44	37	0.17	120/60 Hz
VENTS 125 MA	2150	2.6	5"	19.2	0.21	102	90	0.18	120/60 Hz
VENTS 150 MA	2130	2.7	6"	35.5	0.4	176	158	0.196	120/60 Hz

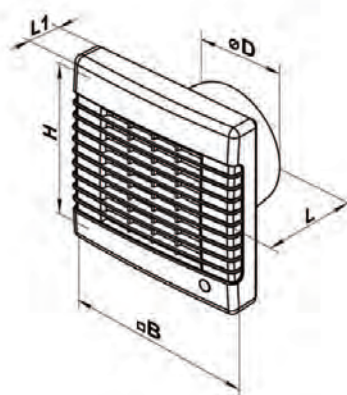
### DIMENSIONS

MODEL	DIMENSIONS				
	B	H	L	ØD	L1
VENTS 100 MA	6 1/2"	5 7/8"	3 5/8"	3 7/8"	1 1/4"
VENTS 125 MA	7 1/2"	6 13/16"	3 7/8"	3 7/8"	1 5/16"
VENTS 150 MA	8 3/8"	7 11/16"	4 1/2"	4 1/2"	1 5/16"

### ACCESSORIES

- Air Ducts
- Grilles and Hoods
- Backdraft Dampers
- Speed Controls
- Clamps

For more information on available accessories, see pages J8-J11 in Accessories & Motors section.



# UTILITY, PRESSURE & RADIAL BLOWERS

**E1 BI SERIES**  
Belt Drive Utility Blowers



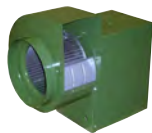
**E2 BI-RM/HS SERIES**  
Belt Drive Utility Blowers



**E4 400 SERIES**  
FC Exhauster Belt Drive Utility Blower



**E5 600 SERIES**  
FC Exhauster Belt Drive Utility Blower



**E6 PW SERIES**  
Direct Drive Pressure Blower



**E7 KE SERIES**  
Direct Drive Radial Blade Blower



**E8 D SERIES**  
Direct Drive Forward Curved Blower



**E9 D500 SERIES**  
Direct Drive Utility Blowers



**E10 U SERIES**  
Portable Utility Fan



**E11 U SERIES**  
Portable Utility Fan - Heavy Duty Models



**E12** Portable Utility Fan & U Series Smoke Ejector Accessories



**E13 PLASTEC SERIES**  
Polypropylene Blowers



**E14 JET SERIES**  
Polypropylene Inline Fans



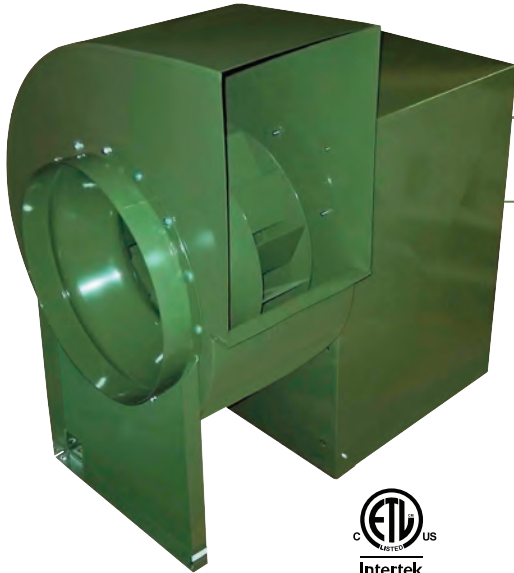
**E15 STORM SERIES**  
Polypropylene Blowers





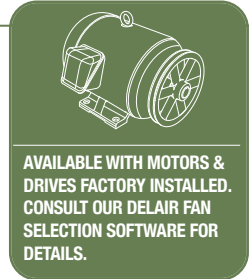
# BI SERIES

## Belt Drive Utility Blowers



### FEATURES

- Complete range of sizes from 10" to 36".
- Full AMCA Class 1 Operation.
- Non-overloading backward inclined (BI) welded wheels.
- Aluminum wheel - (AMCA type B classification for spark resistant construction) - available as an option.
- Aluminum wheels only on BI-30 to BI-36.
- Discharge position can be field rotated to any of 8 discharge positions.
- Counter clock wise rotation is standard. Clock wise available.
- Outlet flanges on models BI-24 to BI-36.
- Temperature Ratings - without a heat slinger 250° F with a heat slinger, steel wheel 400° F, aluminum wheel 300° F.
- Motor access from 3 sides.
- Sloped motor base for ease of motor installation.
- Vented motor and drive compartment cover, with handles, for safety & weather protection.
- 16 gauge or heavier blower housing.
- Heavy duty pillow block ball bearings.



AVAILABLE WITH MOTORS & DRIVES FACTORY INSTALLED. CONSULT OUR DELAIR FAN SELECTION SOFTWARE FOR DETAILS.

### PERFORMANCE SPECIFICATIONS

MODEL	TYPICAL MAXIMUM CFM @ SP										Min HP	Max HP
	1" SP		2" SP		3" SP		4" SP		5" SP			
	CFM	FEI	CFM	FEI	CFM	FEI	CFM	FEI	CFM	FEI		
BI-10	2300	0.71	2100	0.87	1800	1.01	1600	1.07	1300	1.07	1/2	2
BI-12*	3000	0.73	2900	0.86	2600	1.00	2400	1.09	1900	1.13	-	3
BI-13	3900	0.75	3600	0.92	3300	1.04	2900	1.13	2400	1.19	1/2	5
BI-15*	4800	0.71	4400	0.89	4000	1.02	3600	1.11	3000	1.16	-	5
BI-16	5700	0.74	5300	0.92	4900	1.04	4300	1.12	3500	1.16	3/4	7 1/2
BI-18	6200	0.82	5400	0.95	4700	1.06	3500	1.11	-	-	3/4	7 1/2
BI-20	8400	0.80	7900	1.02	7200	1.14	6400	1.22	5300	1.24	1	7 1/2
BI-22*	10000	0.81	9100	0.89	8200	1.01	6900	1.07	-	-	-	10
BI-24	11200	0.86	10100	1.05	8800	1.17	6700	1.19	-	-	1 1/2	15
BI-27	15000	0.80	14100	0.96	12800	1.08	11200	1.16	8300	1.15	1 1/2	15
BI-30-AW	18700	0.75	17400	0.93	16100	1.05	14200	1.13	11900	1.16	2	15
BI-33-AW	22600	0.75	21000	0.93	19400	1.05	17100	1.13	14300	1.15	-	20
BI-36-AW	22900	0.87	22900	1.00	22900	1.06	20200	1.14	16500	1.15	3	25



View FEI charts  
[canarm.com/fei-bi](http://canarm.com/fei-bi)

Power rating (BHP) does not include transmission losses. Performance certified is for installation type B: Free inlet, Ducted outlet. Performance ratings do not include the effect of appurtenances (accessories).  
\*Special Order

FOR FAN CURVES & FULL PERFORMANCE DATA, CONSULT OUR DELAIR SOFTWARE. [WWW.CANARM.COM/DELAIR](http://WWW.CANARM.COM/DELAIR)



Canarm certifies that the BI Series shown herein are licensed to bear the AMCA Seal. The ratings shown are based on tests and procedures performed in accordance with AMCA Publication 211 and comply with the requirements of the AMCA Certified Ratings Programme.

The AMCA certified ratings seal applies to air performance only. The BI Series shown herein are not approved by AMCA for FEI ratings.



MOTOR AND DRIVE COMPARTMENT WITH COVER REMOVED TO ILLUSTRATE 3 SIDE MOTOR ACCESS AND SLOPED MOTOR BASE FOR BELT TENSIONING.

### RELATED MODEL

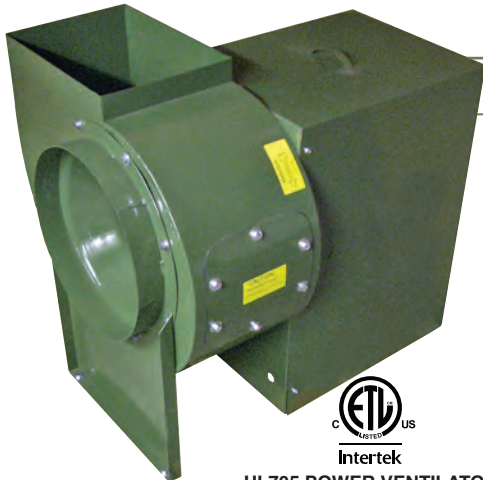
#### BI-RM & BI-RM-HS SERIES

Belt Drive Utility Blowers.



# BI-RM SERIES

Belt Drive Utility Blowers



UL705 POWER VENTILATOR  
FOR RESTAURANT  
EXHAUST APPLIANCES

## BI-RM/BI-RM-HS SERIES



Canarm certifies that the BI-RM Series shown herein are licensed to bear the AMCA Seal. The ratings shown are based on tests and procedures performed in accordance with AMCA Publication 211 and comply with the requirements of the AMCA Certified Ratings Programme.

The AMCA certified ratings seal applies to air performance only. The BI-RM Series shown herein are not approved by AMCA for FEI ratings.



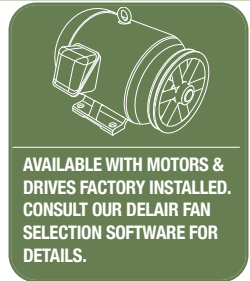
UL705 Supplement SC - Power Ventilator for Restaurant Exhaust Appliances certified, refer to our UL705 Supplement SC - Power Ventilator for Restaurant Exhaust Appliances Catalogue page C in *Roof Mount Ventilation* for all installation requirements



View FEI charts  
[canarm.com/fei-bi](http://canarm.com/fei-bi)

## FEATURES - BI-RM SERIES

- Complete range of sizes from 10" to 36".
- Full AMCA Class 1 Operation.
- Non-overloading backward inclined (BI) welded wheels.
- Aluminum wheel - (AMCA type B classification for spark resistant construction) - available as an option.
- Aluminum wheels only on BI-RM-30 to BI-RM-36.
- Discharge position can be field rotated to any of 8 discharge positions.
- Counter clock wise rotation is standard. Clock wise available.
- Outlet flanges on models BI-24 to BI-36.
- Temperature Ratings - without a heat slinger 250° F with a heat slinger, steel wheel 400° F, aluminum wheel 300° F.
- Motor access from 3 sides.
- Sloped motor base for ease of motor installation.
- Vented motor and drive compartment cover, with handles, for safety & weather protection.
- 16 gauge or heavier blower housing.
- Heavy duty pillow block ball bearings.
- UL 705 Supplement SC - Power Ventilator for Restaurant Exhaust Appliances Listed for removal of cooking vapours.
- Meets NFPA 96 guidelines.
- Upblast discharge directs exhaust away from roof.
- Integral handles for single person removal of motor and drive compartment cover.
- Continuously welded 16 gauge or heavier blower housing.
- Bolted clean out door.
- 2" drain for easy removal of cleaning solutions.
- Complete range of sizes from 10" to 36".
- Vinyl shaft seal.



## PERFORMANCE SPECIFICATIONS

MODEL	TYPICAL MAXIMUM CFM @ SP										Min HP	Max HP
	1" SP		2" SP		3" SP		4" SP		5" SP			
	CFM	FEI	CFM	FEI	CFM	FEI	CFM	FEI	CFM	FEI		
BI-RM-10	2300	0.71	2100	0.87	1800	1.01	1600	1.07	1300	1.07	1/2	2
BI-RM-12*	3000	0.73	2900	0.86	2600	1.00	2400	1.09	1900	1.13	-	3
BI-RM-13	3900	0.75	3600	0.92	3300	1.04	2900	1.13	2400	1.19	1/2	5
BI-RM-15*	4800	0.71	4400	0.89	4000	1.02	3600	1.11	3000	1.16	-	5
BI-RM-16	5700	0.74	5300	0.92	4900	1.04	4300	1.12	3500	1.16	3/4	7 1/2
BI-RM-18	6200	0.82	5400	0.95	4700	1.06	3500	1.11	-	-	3/4	7 1/2
BI-RM-20	8400	0.80	7900	1.02	7200	1.14	6400	1.22	5300	1.24	1	7 1/2
BI-RM-22*	10000	0.81	9100	0.89	8200	1.01	6900	1.07	-	-	-	10
BI-RM-24	11200	0.86	10100	1.05	8800	1.17	6700	1.19	-	-	1 1/2	15
BI-RM-27	15000	0.80	14100	0.96	12800	1.08	11200	1.16	8300	1.15	1 1/2	15
BI-RM-30-AW	18700	0.75	17400	0.93	16100	1.05	14200	1.13	11900	1.16	2	15
BI-RM-33-AW	22600	0.75	21000	0.93	19400	1.05	17100	1.13	14300	1.15	-	20
BI-RM-36-AW	22900	0.87	22900	1.00	22900	1.06	20200	1.14	16500	1.15	3	25

Power rating (BHP) does not include transmission losses. Performance certified is for installation type B: Free inlet, Ducted outlet. Performance ratings do not include the effect of appurtenances (accessories).

FOR FAN CURVES & FULL PERFORMANCE DATA, CONSULT OUR DELAIR SOFTWARE. [WWW.CANARM.COM/DELAIR](http://WWW.CANARM.COM/DELAIR)

## BI-RM-HS SERIES \*SPECIAL ORDER

Belt Drive Utility Blowers with Heat Slinger for Smoke & Heat

The smoke and heat model of the BI & BI-RM series is suitable for use in clean, dry air with a maximum ambient temperature of 204°C (400°F).

They are designed to exhaust smoke in the event of a fire. It is in compliance with smoke control systems requirements of 500°F for 4 hours and 1000°F for 15 minutes.

## FEATURES - BI-RM-HS SERIES

- Sizes from 10" to 24".
- Non-overloading backward inclined (BI) welded steel wheels only.
- Counter clockwise rotation is standard.
- Outlet flanges on model BI-24.
- Heat slinger with vinyl shaft seal.
- Upblast discharge directs exhaust away from roof.



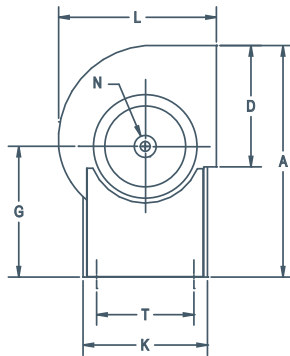
MOTOR AND DRIVE COMPARTMENT WITH COVER REMOVED TO ILLUSTRATE 3 SIDE MOTOR ACCESS AND SLOPED MOTOR BASE FOR BELT TENSIONING.



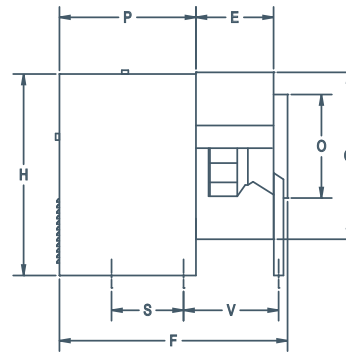
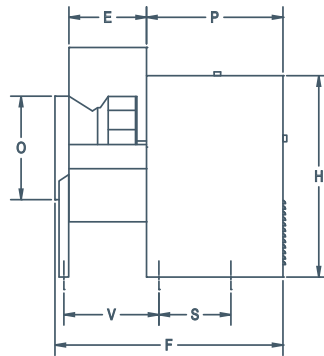
# BI & BI-RM SERIES

## Belt Drive Utility Blowers

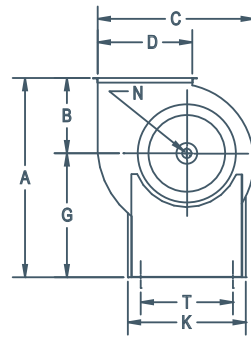
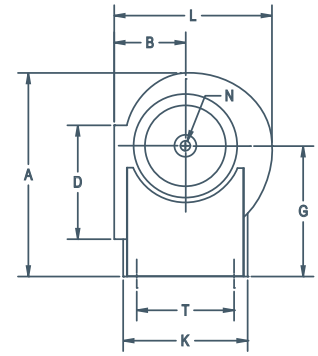
### DIMENSIONS



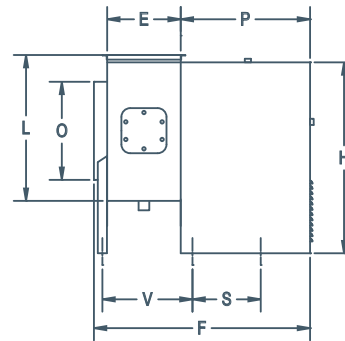
**MODELS BI-10 TO BI-27**  
(STANDARD TOP HORIZONTAL DISCHARGE)



**MODELS BI-30 TO BI-36**  
(STANDARD BOTTOM HORIZONTAL DISCHARGE)



**MODELS BI-RM(-HS)-10 TO BI-RM(-HS)-24**  
(UL 762 LISTED FOR REMOVAL OF COOKING VAPOURS)



MODEL	OUTLET																	SHAFT DIA.	INLET		WEIGHT (lbs) without motors
	A (STANDARD MODELS)	A (BI-RM MODELS)	B	C	D	E	F	G	H	K (CABINET WIDTH)	L	N	O	P	S	T	V				
BI-10	26 3/4"	23 5/8"	8 3/8"	19 3/16"	11 5/16"	8 1/4"	27 3/4" No Leg	15 5/6"	21 5/16"	13 1/4"	17 1/2"	3/4"	11"	17 1/4"	11 5/8"	11 1/4"	-	78			
BI-12	33 3/16"	30 3/16"	9 15/16"	27 7/16"	13 1/16"	9 7/8"	33 5/16"	20 3/16"	29 1/8"	16 3/4"	20 9/16"	1"	12 7/16"	21 3/16"	11 1/2"	14 3/4"	13 1/16"	112			
BI-13	34 1/2"	30 15/16"	10 3/4"	24 1/2"	14 3/8"	10 3/4"	34 1/4"	20 3/16"	29 1/8"	16 3/4"	22 7/16"	1"	14 3/8"	21 1/4"	11 1/2"	14 3/4"	14"	134			
BI-15	35 15/16"	31 15/16"	11 3/4"	27 1/4"	15 13/16"	12 3/4"	36 1/4"	20 3/16"	29 1/8"	16 3/4"	24 7/8"	1"	15 7/8"	21 3/16"	11 1/2"	14 3/4"	16"	140			
BI-16	39 7/16"	34 11/16"	12 11/16"	29 15/16"	17 1/2"	13 1/8"	36 5/8"	22"	30 15/16"	16 3/4"	26 15/16"	1 3/16"	17 3/8"	21 1/4"	11 1/2"	14 3/4"	16 1/2"	162			
BI-18	41 5/16"	35 7/8"	13 13/16"	33 3/16"	19 3/8"	14 1/2"	38 1/4"	22"	30 15/16"	16 3/4"	29 9/16"	1 3/16"	19 3/8"	21 1/2"	11 1/2"	14 3/4"	17 7/8"	172			
BI-20	49 3/16"	42 15/16"	14 15/16"	36 7/16"	21 3/16"	15 3/4"	46 3/8"	28"	40 15/16"	25 1/8"	32 3/16"	1 3/16"	21 1/4"	27 5/8"	14 9/16"	22 3/4"	19 3/4"	289			
BI-22	51 9/16"	44 3/8"	16 3/8"	40 7/16"	23 9/16"	17 3/4"	48 7/16"	28"	40 15/16"	25 1/8"	35 9/16"	1 3/16"	23 5/8"	27 5/8"	14 9/16"	22 3/4"	21 13/16"	322			
BI-24	58 3/16"	49 15/16"	17 15/16"	44 11/16"	26 1/8"	19 3/8"	51 5/16"	32 1/8"	46 11/16"	28 15/16"	39 1/8"	1 7/16"	26"	28 15/16"	18 5/16"	26 3/8"	23 3/8"	385			
BI-27	60 11/16"	51 1/2"	19 1/2"	49"	28 11/16"	21 1/4"	53 1/8"	32 1/8"	46 11/16"	28 15/16"	42 13/16"	1 7/16"	28 5/8"	28 7/8"	18 5/16"	26 3/8"	25 1/4"	411			
BI-30	65 15/16"	68 3/16"	24 7/8"	54 1/2"	31 7/8"	23 5/8"	58 5/8"	43 5/16"	65 5/16"	44 5/16"	50 15/16"	1 11/16"	31 3/4"	32"	17"	40"	29"	517			
BI-33	68 3/16"	68 5/8"	25 3/8"	58 15/16"	34 7/8"	25 15/16"	60 15/16"	43 5/16"	65 5/16"	44 5/16"	53 7/8"	1 11/16"	35"	32"	17"	40"	31 5/16"	607			
BI-36	70 7/8"	69"	25 1/2"	66 3/16"	38 9/16"	28 11/16"	63 11/16"	43 5/16"	65 5/16"	44 5/16"	56 15/16"	1 15/16"	38 3/4"	32"	17"	40"	34 1/16"	747			

### ACCESSORIES

- V-Cap
- Bolted Clean Out Door
- Heat Slinger
- Vibration Isolators

- Shaft Seal
- Corrosion Resistant Coating
- Aluminum Wheel
- Back Draft Dampers

- Inlet & Outlet Screens
- 2" Drain Fitting

For more information on accessories, see page C14.



AVAILABLE WITH MOTORS & DRIVES FACTORY INSTALLED. CONSULT OUR DELAIR FAN SELECTION SOFTWARE FOR DETAILS.

# 400 SERIES

## FC Exhauster Belt Drive Utility Blowers



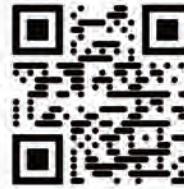
OPTIONAL 1 TO 15 HP MOTOR PLATFORM FOR MODELS 420, 422 & 425

### FEATURES

- Universal frame allows for choice of discharge position.
- Multiple choice for motor mounting location with each discharge position.
- Motor mounting hardware supplied with models 407 to 418.
- Optional platform for models 420 to 425.
- Keywayed shafts
- Ball bearings suitable for -65° to + 250° F.
- Spider bearing brackets for models 407 - 418. Pillow block bearings with T bar support for models 420, 422 & 425.
- Optional back draft dampers, inlet & outlet screens and belt guards.
- Shafts 420, 422 & 425 models are keywayed for wheels and pulleys (407 to 418 models for pulleys only).

### PERFORMANCE SPECIFICATIONS

MODEL	TYPICAL MAXIMUM CFM @ SP										Max HP
	1/2" SP		1" SP		1 1/2" SP		2" SP		2 1/2" SP		
	CFM	FEI	CFM	FEI	CFM	FEI	CFM	FEI	CFM	FEI	
407	1000	0.47	900	0.56	800	0.63	700	0.64	500	0.59	1
409	2100	0.52	2000	0.62	1900	0.71	1800	0.79	1700	0.85	2
410	2600	0.61	2400	0.72	2300	0.80	2200	0.88	2000	0.99	2
412	3000	0.70	2800	0.82	2700	0.90	2500	0.97	2300	1.06	2
415	5300	0.76	4800	0.86	4500	0.95	4200	1.03	3600	1.00	3
418	6700	0.60	6300	0.68	5900	0.77	5500	0.84	5200	0.91	5
420	9300	0.52	8900	0.62	8500	0.72	8100	0.80	7700	0.87	7-1/2
422	10300	0.54	9800	0.64	9200	0.74	8600	0.82	8000	0.88	7-1/2
425	14300	0.87	13500	0.68	12500	0.76	11900	0.84	11400	0.94	10



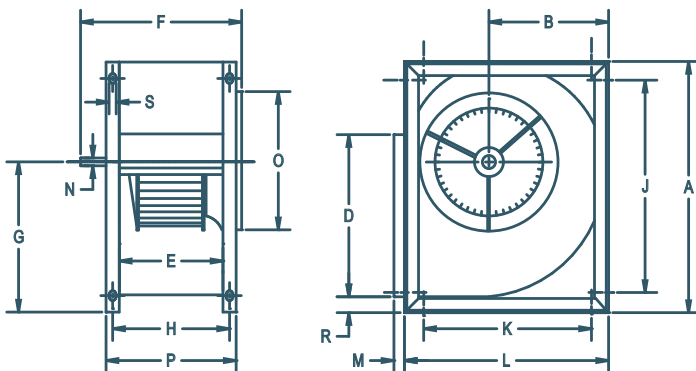
View FEI charts  
[canarm.com/fei-400](http://canarm.com/fei-400)

Power rating (BHP) does not include transmission losses. Performance certified is for installation type B: Free inlet, Ducted outlet. Performance ratings do not include the effect of appurtenances (accessories).

FOR FAN CURVES & FULL PERFORMANCE DATA, CONSULT OUR DELAIR SOFTWARE. [WWW.CANARM.COM/DELAIR](http://WWW.CANARM.COM/DELAIR)

### DIMENSIONS

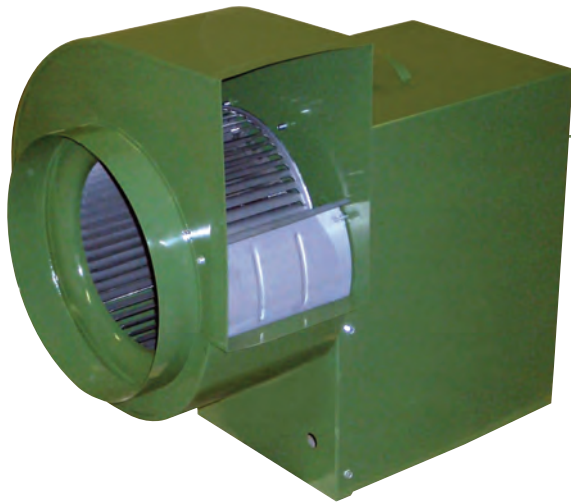
MODEL	A	B	D	E	F	G	H	J	K	L	M	N	O	P	R	S	WHEEL DIAMETER	WHEEL WIDTH	UNIT WEIGHT (LBS) (without motor)
407	14 1/4"	6 1/2"	8 3/8"	6 7/8"	11 5/8"	8 5/8"	8"	11 1/16"	8 7/8"	11 3/4"	3/4"	3/4"	9"	9"	1 1/2"	7/16"	8 1/26"	4 15/16"	16
409	17 1/4"	7 15/16"	10 1/4"	9 3/16"	13 15/16"	10 1/8"	10 5/16"	14 5/8"	11 3/4"	14 1/2"	3/4"	3/4"	10"	11 5/16"	1 1/2"	7/16"	9 13/16"	7 3/16"	23
410	19 1/8"	9"	11 3/8"	9 3/16"	13 15/16"	11 1/4"	10 5/16"	16 1/4"	13 1/2"	16 1/4"	3/4"	3/4"	12"	11 5/16"	1 1/2"	7/16"	11 1/8"	7 3/16"	26
412	22 1/4"	10 9/16"	13 1/2"	9 3/16"	13 15/16"	13"	10 5/16"	19 5/8"	16 1/4"	19"	3/4"	3/4"	14"	11 5/16"	1 1/2"	7/16"	12 7/8"	7 3/16"	30
415	29 3/4"	14 3/4"	17"	12 1/2"	17 3/8"	18 1/8"	13 3/4"	27 1/4"	22 5/8"	25 1/4"	3/4"	1"	17"	14 3/4"	1 1/2"	7/16"	15 1/2"	9 9/16"	56
418	30 3/4"	14 15/16"	18 7/8"	14"	20 3/8"	17 3/4"	15 5/8"	28 1/2"	24"	26 1/2"	3/4"	1"	18"	17 1/4"	1 1/2"	7/16"	18 1/2"	10 13/16"	87
420	38"	18 5/16"	24 3/4"	15 3/4"	24 1/4"	22 9/16"	17 1/4"	32 7/16"	25 7/16"	31 1/4"	1 1/2"	1 3/16"	21"	19 3/4"	2"	5/8"	20 7/16"	10 1/4"	189
422	41 1/2"	20 1/16"	27 1/4"	17 1/8"	25 5/8"	24 5/8"	18 5/8"	35 31/32"	28 15/32"	34 1/4"	1 1/2"	1 3/16"	22 1/2"	21 1/8"	2"	5/8"	22 1/8"	11 1/4"	214
425	46 3/4"	22 5/8"	31 1/4"	19 5/8"	28 1/2"	27 3/4"	21 1/8"	41 7/32"	32 17/32"	38 3/8"	1 1/2"	1 3/16"	26 3/4"	23 5/8"	2"	5/8"	25 1/4"	13"	252



### ACCESSORIES

- Back Draft Dampers
- Inlet & Outlet Screens
- Corrosion Resistant Finishes
- Vibration Isolation
- Belt Guard

For more information on available accessories, see page C14 in Roof Mount Ventilation section.



# 600 SERIES

## FC Exhauster Belt Drive Utility Blower

### FEATURES

- Standard, vented motor and drive compartment cover with handles for safety and weather protection.
- Sliding motor base for belt tension adjustment.
- Standard top horizontal discharge position can be easily rotated to any of 8 positions.
- Shafts for 620, 622 & 625 models are keywayed for wheels and pulleys (610 to 618 models for pulleys only).
- Outlet flanges on models 620, 622 & 625.
- Available in CW or CCW rotation.
- Keywayed shaft.
- Heavy duty pillow block ball bearings.



Canarm certifies that the 600 Series shown herein are licensed to bear the AMCA Seal. The ratings shown are based on tests and procedures performed in accordance with AMCA Publications 211 and comply with the requirements of the AMCA Certified Ratings Programme.

The AMCA certified ratings seal applies to air performance only. The 600 Series shown herein are not approved by AMCA for FEI ratings.

AVAILABLE WITH MOTORS & DRIVES FACTORY INSTALLED. CONSULT OUR DELAIR FAN SELECTION SOFTWARE FOR DETAILS.

**MOTOR AND DRIVE COMPARTMENT WITH COVER REMOVED TO ILLUSTRATE 3 SIDE MOTOR ACCESS AND SLOPED MOTOR BASE FOR BELT TENSIONING.**



### SPECIFICATIONS

MODEL	TYPICAL MAXIMUM CFM @ SP										Min HP	Max HP
	1/2" SP		1" SP		1 1/2" SP		2" SP		2 1/2" SP			
	CFM	FEI	CFM	FEI	CFM	FEI	CFM	FEI	CFM	FEI		
610	2600	0.61	2400	0.72	2300	0.80	2200	0.88	2000	0.99	1/6	2
612	3000	0.70	2800	0.82	2700	0.90	2500	0.97	2300	1.06	1/3	2
615	6400	0.68	6000	0.75	5700	0.82	5400	0.89	5100	0.96	1/3	3
618	6700	0.60	6300	0.68	5900	0.77	5500	0.84	5200	0.91	1/2	5
620	10300	0.48	9900	0.57	9600	0.64	9200	0.73	8900	0.79	1/2	7 1/2
622	11500	0.49	11000	0.58	10400	0.67	10000	0.74	9400	0.81	1/2	7 1/2
625	14300	0.57	13500	0.68	12500	0.76	11900	0.84	11400	0.94	1	10



View FEI charts  
[canarm.com/fei-600](http://canarm.com/fei-600)

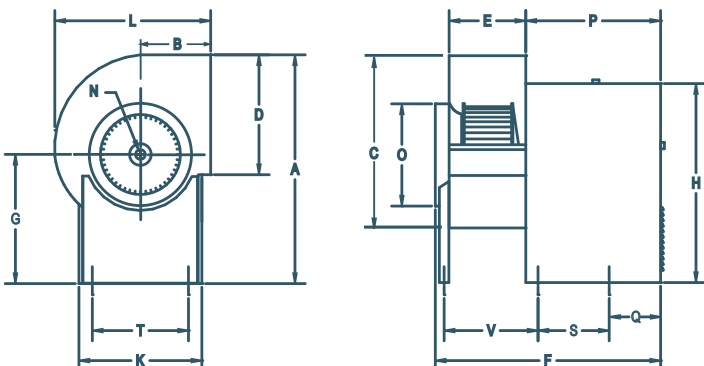
Power rating (BHP) does not include transmission losses. Performance certified is for installation type B: Free inlet, Ducted outlet. Performance ratings do not include the effect of appurtenances (accessories).

FOR FAN CURVES & FULL PERFORMANCE DATA, CONSULT OUR DELAIR SOFTWARE.

[WWW.CANARM.COM/DELAIR](http://WWW.CANARM.COM/DELAIR)

### DIMENSIONS

MODEL	A	B	C	D	E	F	G	H	K	L	N	O	P	Q	S	T	V	WHEEL DIAMETER	WHEEL WIDTH	UNIT WEIGHT (LBS) (without motor)
610	24 13/16"	8"	17 7/16"	11 3/8"	9 3/16"	28 9/16"	15 1/16"	21 5/16"	13 3/16"	16 3/4"	3/4"	12"	17 1/4"	3 3/4"	11 3/4"	11 7/16"	--	11 1/8"	7 3/16"	57
612	26 9/16"	9 1/8"	20 1/4"	13 7/16"	9 3/16"	28 9/16"	15 1/16"	21 5/16"	13 3/16"	19 1/2"	3/4"	14"	17 1/4"	3 3/4"	11 3/4"	11 7/16"	--	12 7/8"	7 3/16"	60
615	36 3/4"	11 1/4"	28 1/16"	17"	12 1/2"	35 7/8"	20 1/16"	29 1/8"	16 9/16"	25 15/16"	1"	17"	21 1/8"	--	11 1/2"	14 11/16"	15 5/8"	15 1/2"	9 9/16"	124
618	36 5/16"	12 3/8"	28 7/8"	18 7/8"	14"	37 3/8"	20 1/16"	29 1/8"	16 9/16"	27"	1"	18"	21 1/8"	--	11 1/2"	14 11/16"	17 1/8"	18 1/2"	10 13/16"	144
620	48 9/16"	14 7/16"	35 3/4"	24 3/4"	15 3/4"	46 7/16"	28"	40 7/8"	25 1/4"	32 7/16"	1 3/16"	21"	27 11/16"	--	14 5/8"	22 1/2"	18 7/8"	20 7/16"	10 1/4"	278
622	50 9/16"	15 11/16"	39 3/8"	27 1/4"	17 1/8"	47 13/16"	28"	40 7/8"	25 1/4"	35 1/2"	1 3/16"	22 1/2"	27 11/16"	--	14 5/8"	22 1/2"	20 1/4"	22 1/8"	11 1/4"	296
625	53 11/16"	17 1/4"	44 3/8"	31 1/4"	19 5/8"	50 5/16"	28"	40 7/8"	25 1/4"	39 5/8"	1 3/16"	26 3/4"	27 11/16"	--	14 5/8"	22 1/2"	22 3/4"	25 1/4"	13"	329



### ACCESSORIES

- Back Draft Dampers
- Inlet & Outlet Screens
- Corrosion Resistant Finishes
- Bolted Clean Out Door
- Heat Slinger
- 2" Drain Fitting
- Shaft Seal (vinyl or polyethylene)
- Vibration Isolation

For more information on available accessories, please see page C14.

# PW SERIES

## Direct Drive Pressure Blower

For high static applications.

Ideal for moving non-abrasive particles such as dust or fume exhaust.



### FEATURES

- Wheels are constructed of heavy cast aluminum with straight radial blades.
- Wheels are self cleaning, dynamically balanced and designed for efficient operations.
- Welded 16 gauge steel housings and motor bases.
- TEFC motors are standard.
- Comes as clockwise rotation, bottom horizontal discharge (can be rotated at 45°+ increments).

### PERFORMANCE SPECIFICATIONS

MODEL			H.P.	MOTOR FRAME	RPM	CFM @ STATIC PRESSURE																dBA @ 5 FT
SINGLE PHASE	THREE PHASE 208/230/460	THREE PHASE 575				1/4"	1/2"	1"	1 1/2"	2"	2 1/2"	3"	3 1/2"	4"	5"	6"	7"	8"	9"	10"	11"	
PW-8S	PW-8M	PW-8P	1/3	56	3600	283	274	256	237	216	192	165	129	70	--	--	--	--	--	--	--	74
PW-9S	PW-9M	PW-9P	3/4	56	3600	475	465	445	423	399	374	346	316	282	195	--	--	--	--	--	--	77
PW-11S	PW-11M	PW-11P	1.5	56	3600	786	772	746	719	692	664	635	606	575	508	431	329	--	--	--	--	84
PW-12S	PW-12M	PW-12P	3	182T	3600	1185	1171	1145	1117	1090	1062	1033	1004	974	911	842	765	672	549	--	--	90
PW-14S	PW-14M	PW-14P	5	182T	3600	--	--	--	--	--	--	--	--	--	1685	1587	1482	1367	1236	1081	874	474
PW-14SX-7.5**	PW-14MX-7.5**	PW-14PX-7.5**	7.5	213	3600	2100	2070	2037	1995	1952	1909	1866	1822	1777	1685	1587	1482	1367	1236	1081	874	474

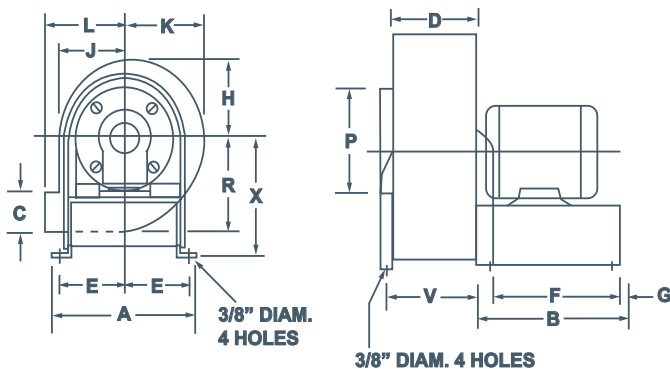
MODEL PW: EXPLOSION PROOF DIRECT DRIVE PRESSURE BLOWERS																							
SINGLE PHASE	THREE PHASE 208/230/460	THREE PHASE 575	H.P.	MOTOR FRAME	RPM	1/4"	1/2"	1"	1 1/2"	2"	2 1/2"	3"	3 1/2"	4"	5"	6"	7"	8"	9"	10"	11"	12"	dBA @ 5 FT
PW-8SX	PW-8MX	--	1/3	56	3600	283	274	256	237	216	192	165	129	70	--	--	--	--	--	--	--	--	74
PW-9SX	PW-9MX	--	3/4	56	3600	475	465	445	423	399	374	346	316	282	195	--	--	--	--	--	--	--	77
PW-11SX	--	--	1.5	56	3600	786	772	746	719	692	664	635	606	575	508	431	329	--	--	--	--	84	
--	PW-11MX**	PW-12PX**	1.5	143T	3600	786	772	746	719	692	664	635	606	575	508	431	329	--	--	--	--	84	
PW-12SX	PW-12MX	PW-12PX	3	182T	3600	1185	1171	1145	1117	1090	1062	1033	1004	974	911	842	765	672	549	--	--	90	
PW-14SX	PW-14MX	PW-14PX	5	182T	3600	--	--	--	--	--	--	--	--	--	1685	1587	1482	1367	1236	1081	874	474	
PW-14SX-7.5**	PW-14MX-7.5**	PW-14PX-7.5**	7.5	213	3600	2100	2070	2037	1995	1952	1909	1866	1822	1777	1685	1587	1482	1367	1236	1081	874	474	

\* Fan should not be run at static pressure less than shown in above table, motor overload will result. dBA ratings shown are measured at 0" static pressure, and should be used as a guideline only.

\*\* Special order models.

### DIMENSIONS

BLOWER	WHEEL	A	B	C	D	E	F	G	H	J	K	L	P	R	X	V
PW-8	7 3/4" x 2 1/4"	11"	8"	3"	3"	5"	7"	1/2"	5 3/8"	4 7/8"	5 7/8"	5 7/8"	4"	6 5/8"	9"	--
PW-9	9" x 2 3/4"	12 1/8"	8"	3 1/2"	3 1/2"	5 5/8"	7"	1/2"	6 3/8"	5 3/4"	6 7/8"	6 3/4"	5"	7 1/2"	9 7/8"	--
PW-11	10 5/8" x 3"	14 3/4"	9"	4"	3 1/2"	6 7/8"	7 1/2"	3/4"	7 1/4"	6 1/2"	8"	7 5/8"	6"	8 5/8"	11 3/4"	--
PW-12	12 1/2" x 3"	17"	8"	5"	4"	8"	6 1/2"	3/4"	8 1/4"	7 1/2"	9"	9 5/8"	7"	10"	10 5/8"	--
PW-14	13 1/2" x 4 3/8"	17 5/8"	11 1/4"	7 1/8"	5 3/4"	8"	9 3/4"	1"	10 1/2"	9 5/8"	11 3/8"	11"	8"	11 1/2"	12 5/8"	7 1/4"



### RELATED PRODUCTS



**KE SERIES**  
Direct Drive Radial Blade Blowers



**D SERIES**  
Direct Drive Forward Curved Blowers



# KE SERIES

## Direct Drive Radial Blade Blower

For high static applications or greenhouse inflation or exhaust.  
Ideal for environments where air is laden with dust, grit or any other lightweight foreign material.

### FEATURES

- Wheels are constructed of heavy cast aluminum with straight radial blades.
- Wheels are self cleaning, dynamically balanced and designed for efficient operations.
- Welded 16 gauge steel housings and motor bases.
- TEFC motors are standard.
- Comes as clockwise rotation, bottom horizontal discharge (can be rotated at 45° increments).

### PERFORMANCE SPECIFICATIONS

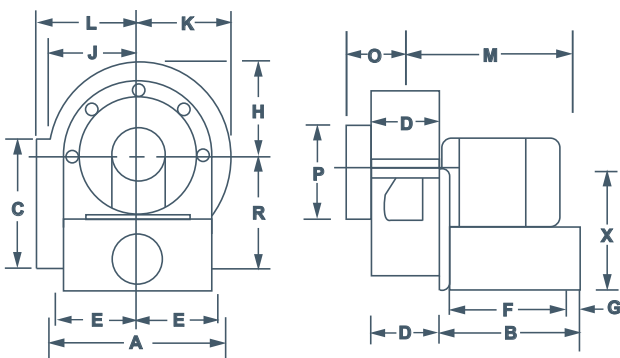
MODEL						CFM @ STATIC PRESSURE														dBA @ 5 FT
SINGLE PHASE	THREE PHASE 208/230/460	THREE PHASE 575	H.P.	MOTOR FRAME	RPM	0"	1/8"	1/4"	3/8"	1/2"	5/8"	3/4"	1"	1 1/4"	1 1/2"	1 3/4"	2"	2 1/4"		
KE-08S	KE-08M	KE-08P	1/3	56	1750	550	510	470	425	365	275	150	--	--	--	--	--	--	64	
KE-09S	KE-09M	KE-09P	1/3	56	1750	880	825	765	705	635	565	480	200	--	--	--	--	--	69	
KE-11S	KE-11M	KE-11P	1/2	56	1750	1430	1380	1335	1275	1225	1165	1100	945	730	430	--	--	--	75	
KE-12S	KE-12M	KE-12P	1	56	1750	2375	2300	2220	2140	2060	1975	1890	1700	1485	1185	750	350	--	79	
KE-14S	KE-14M	KE-14P	2	145T	1750	3420	3325	3230	3125	3025	2925	2820	2595	2350	2045	1620	1010	640	81	
MODEL KE: EXPLOSION PROOF DIRECT DRIVE RADIAL BLADE BLOWERS																				
KE-08SX	KE-08MX	KE-08PX	1/3	56	1750	550	510	470	425	365	275	150	--	--	--	--	--	--	64	
KE-09SX	KE-09MX	KE-09PX	1/3	56	1750	880	825	765	705	635	565	480	200	--	--	--	--	--	69	
KE-11SX	KE-11MX	KE-11PX	1/2	56	1750	1430	1380	1335	1275	1225	1165	1100	945	730	430	--	--	--	75	
KE-12SX	KE-12MX	KE-12PX	1	56	1750	2375	2300	2220	2140	2060	1975	1890	1700	1485	1185	750	350	--	79	
--	KE-14MX	KE-14PX	2	145T	1750	3420	3325	3230	3125	3025	2925	2820	2595	2350	2045	1620	1010	640	81	

dBA ratings shown are measured at 0" static pressure, and should be used as a guideline only.

### DIMENSIONS

BLOWER	WHEEL	A	B	C	D	E	F	G	H	J	K	L	M*	O	P	R	X
KE-08	7 3/4" x 4"	11"	8"	8 1/4"	5 3/8"	5"	7"	1/2"	6"	4 5/8"	6 3/4"	6 7/8"	10 3/4"	3 3/4"	8"	8"	8 1/2"
KE-09	9" x 5"	12 1/8"	8"	10 3/4"	6 1/2"	5 5/8"	7"	1/2"	6 3/4"	5 5/8"	7 3/4"	7 1/8"	11 3/4"	4 5/16"	9"	9 1/4"	9 7/8"
KE-11	10 7/8" x 5 5/8"	14 3/4"	9"	11 3/4"	8"	6 7/8"	7 1/2"	3/4"	8"	6 3/4"	9 1/8"	8 1/8"	13 1/4"	5 1/16"	10"	10 3/4"	11 3/4"
KE-12	12 1/2" x 7 1/2"	16 3/8"	10 1/2"	13 1/4"	9 5/8"	7 3/8"	8 3/4"	1"	10 1/8"	8 1/2"	11 1/2"	10 1/2"	15 3/16"	6 3/8"	13 1/4"	13 1/4"	17"
KE-14	13 1/2" x 8 1/8"	17 5/8"	10 1/2"	14 5/8"	10 3/4"	8"	8 3/4"	1"	11 1/8"	9 3/8"	12 5/8"	11 3/8"	16 7/8"	7"	14 1/2"	14 5/8"	17"

\* Dimensions may vary depending on type of motor used.



Clockwise rotation, bottom horizontal discharge shown.

Mounting holes are 3/8" diameter on all models up to KE-11 and 9/16" on the KE-12 and KE-14.

### RELATED PRODUCTS



**PW SERIES**  
Direct Drive Pressure Blowers



**D SERIES**  
Direct Drive Forward Curved Blowers



# D SERIES

## Direct Drive Forward Curved Blower

For low static environments.  
Ideal for light duty exhaust applications.

### FEATURES

- Wheels are forward curved steel, dynamically balanced and designed for efficient operation.
- Welded 16 gauge steel housings and motor bases.
- TEFC motors are standard.
- Comes as clockwise rotation, bottom horizontal discharge (can be rotated at 45° increments).

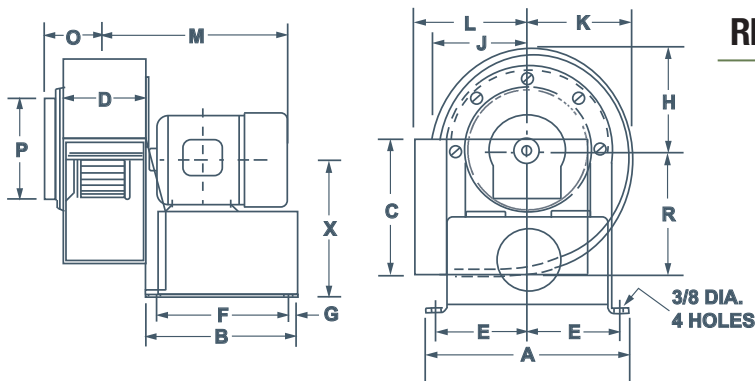
### PERFORMANCE SPECIFICATIONS

SINGLE PHASE	MODEL		H.P.	RPM	CFM @ STATIC PRESSURE													dBA @ 5 FT
	THREE PHASE 208/230/460	THREE PHASE 575			0"	1/8"	1/4"	3/8"	1/2"	5/8"	3/4"	1"	1 1/4"	1 1/2"	1 3/4"	2"	2 1/4"	
D6AAS	D6AAM	D6AAP	1/3	1140	330	250	100	--	--	--	--	--	--	--	--	--	--	51
D6ABS	D6ABM	D6ABP	1/3	1750	560	515	470	420	300	300	--	--	--	--	--	--	--	53
D8AS	D8AM	D8AP	1/3	1140	680	620	535	430	--	--	--	--	--	--	--	--	--	55
D8CS	D8CM	D8CP	1/3	1750	1085	1050	1005	960	865	865	750	580	--	--	--	--	--	57
D9CS	D9CM	D9CP	1/3	1140	1160	1125	1090	1035	855	855	--	--	--	--	--	--	--	56
D9FS	D9FM	D9FP	1	1750	--	--	--	1720	1675	1675	1620	1550	1445	1290	1100	--	--	58
D11ES	D11EM	D11EP	3/4	1140	1970	1870	1800	1710	1500	1500	1290	1020	--	--	--	--	--	61
D11GS	D11GM	D11GP	1 1/2	1750	--	--	--	--	--	--	--	--	1840	1730	1600	1450	1280	63

\* Fan should not be run at static pressure less than shown in above table, motor overload will result.  
dBA ratings shown are measured at 0" static pressure, and should be used as a guideline only.

### DIMENSIONS

BLOWER	WHEEL	BORE	A	B	C	D	E	F	G	H	J	K	L	M*	O	P	R	X	WEIGHT (LBS) (LESS MOTOR)
D6AA	6 1/4" X 3"	5/8"	9 3/8"	8"	7 3/8"	4 1/4"	4 1/4"	7"	1/2"	5"	4"	6"	5"	11 5/8"	3 1/8"	6"	7 1/8"	9"	13
D6AB	6 1/4" X 3"	5/8"	9 3/8"	8"	7 3/8"	4 1/4"	4 1/4"	7"	1/2"	5"	4"	6"	5"	11 5/8"	3 1/8"	6"	7 1/8"	9"	13
D8A	7 3/4" X 3 7/8"	5/8"	11"	8"	8 1/4"	5 3/8"	5"	7"	1/2"	6"	4 5/8"	6 3/4"	6 7/8"	12 1/2"	3 3/4"	8"	8"	9"	18
D8C	7 3/4" X 3 7/8"	5/8"	11"	8"	8 1/4"	5 3/8"	5"	7"	1/2"	6"	4 5/8"	6 3/4"	6 7/8"	12 1/2"	3 3/4"	8"	8"	9"	18
D9C	9" X 4 1/2"	5/8"	12 1/8"	8"	10 3/4"	6 1/2"	5 5/8"	7"	1/2"	6 3/4"	5 5/8"	7 3/4"	7 1/8"	13"	4 3/8"	9"	9 1/4"	9 7/8"	25
D9F	9" X 4 1/2"	5/8"	12 1/8"	8"	10 3/4"	6 1/2"	5 5/8"	7"	1/2"	6 3/4"	5 5/8"	7 3/4"	7 1/8"	14 1/4"	4 3/8"	9"	9 1/4"	9 7/8"	25
D11E	10 5/8" X 5 1/4"	5/8"	14 3/4"	11 1/2"	11 3/4"	8"	6 7/8"	10"	3/4"	8"	6 3/4"	9 1/8"	8 1/8"	15 1/2"	5"	10"	10 3/4"	11 1/4"	36
D11G	10 5/8" X 4"	5/8"	14 3/4"	11 1/2"	11 3/4"	5 7/8"	6 7/8"	10"	3/4"	8"	6 3/4"	9 1/8"	8 1/8"	14 5/8"	4"	10"	10 3/4"	11 1/4"	36



### RELATED PRODUCTS



**PW SERIES**  
Direct Drive Pressure  
Blowers



**KE SERIES**  
Direct Drive Radial Blade  
Blowers



D507

# D500 SERIES

## Direct Drive Utility Blowers

### FEATURES

- Designed for easy installations in common applications requiring moderate air quantities (up to 650 CFM) in low static systems (up to .75" W.G.).
- Available in CCW rotation only (as viewed from motor side).
- Use 3 speed selector for Low, Medium & High speed on D507.
- Ideal for applications where low noise levels are a "must" since the motor is out of the air stream and the blower can be remotely located.

### PERFORMANCE SPECIFICATIONS

MODEL	TYPICAL MAXIMUM CFM @ SP					
	1/8" SP	1/4" SP	3/8"	1/2"	5/8"	3/4"
D507 - LOW	410	375	340	315	225	--
D507 - MED	495	460	390	355	300	--
D507 - HIGH	640	570	470	405	350	--

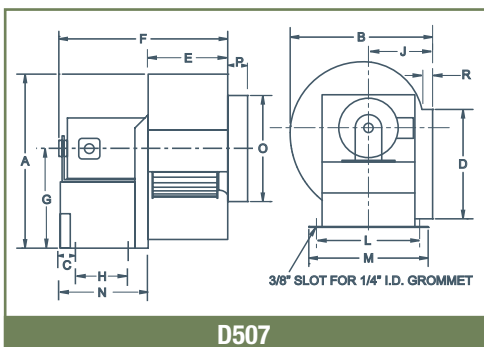
FOR FAN CURVES & FULL PERFORMANCE DATA, CONSULT OUR DELAIR SOFTWARE.

DOWNLOAD DELAIR @ [WWW.CANARM.COM/DELAIR](http://WWW.CANARM.COM/DELAIR)

### MODEL FEATURES

FEATURES	D507
120V, 60 Hz CSA approved single speed shaded pole motor, continuous duty, suitable for use with WM-13 speed controller.	
120V, 60 Hz CSA approved 3 speed resilient mount PSC BALL BEARING motor.	•
Prelubricated bearings - no further lubrication required.	•
Built in automatic reset thermal protector.	•
Mount in horizontal or vertical position.	
Rotate housing on base for any of 8 discharge positions, keeping shaft horizontal.	•
Conduit wiring box.	•
Duct collar inlet.	•
Quiet operating forwardly curved zinc coated blower wheel.	•
Base slotted for 4 rubber blower feet	•
Rugged steel blower housings with baked green enamel finish.	•
Motor side access plate for motor and wheel servicing removal.	•

### DIMENSIONS



### OPTIONS

#### MOTOR SPEED CONTROL

**MODELS D507** - Use a 3 speed switch to select High (1050 RPM), Medium (850 RPM) or Low (740 RPM) operation.

MODEL	MOTOR RPM	A	B	D	E	F	H	L	M	N	O	WEIGHT (lbs) without motor
D507	1050	13 1/8"	12 1/4"	8 1/4"	6"	14"	5"	8"	9"	6 5/8"	7 7/8"	24

# U SERIES PORTABLE UTILITY FAN



**U series utility fans** - formerly known as FANTRAXX smoke ejectors - are ideal for many utility applications and have been designed to meet fire service needs.

The units are available in various configurations and sizes to satisfy almost any application. These fans produce high volumes of air in compact and efficient designs. Sizes range from 12" up to 24" blade diameters. Available with totally enclosed or explosion proof motors ranging in size from 1/3HP to 1/2HP. Entire fan assemblies are certified as shown.

All **U series utility fans** are finished in a tough powder coat finish with cadmium plated safety guards. All motors are ball bearing and require no maintenance. Voltages other than those listed (including 50HZ) are available. Consult factory. All units are equipped with 6 feet of cord with a plug (explosion proof units are minus plug). Available accessories include hanger bars and hooks, collar adaptors, flexible hoses, hose connectors and misting adaptor kits.

## FEATURES

- Available in 12" to 18" sizes.
- Totally enclosed ball bearing motor and explosion proof models available.
- Powder coated housing.
- Fans come complete with 6 foot cord and plug (explosion proof motors come without a plug).

**Heavy duty models also available. See next page.**



## SPECIFICATIONS

		MODEL	MOTOR	HP	RPM	VOLTAGE	FULL LOAD AMPERAGE (115)	CFM	WEIGHT (LBS)	FAN DIMENSIONS
BLADE DIAMETER	12"	U12-1	Totally enclosed	1/3	1725	115	3.8	1620	40	14 1/8" H X 14 1/8" W X 17" L
		U16-1	Totally enclosed	1/3	1725	115	3.8	3151	49	19 1/8" H X 19 1/8" W X 17" L
	16"	U16-4	Explosion proof	1/3	1725	115	6.8	3151	54	19 1/8" H X 19 1/8" W X 17" L
		U18-1	Totally enclosed	1/3	1725	115	3.8	3700	52	21 3/8" H X 21 3/8" W X 17" L
	18"	U18-4	Explosion proof	1/3	1725	115	6.8	3700	57	21 3/8" H X 21 3/8" W X 17" L

All Explosion Proof Fans have a single speed, dual voltage explosion proof motor that meets and conforms to all the standards that are listed below.

**CLASS I, GROUP C** *Atmospheres containing ethyl ether, ethylene, gases or vapors of equivalent hazard.*

**CLASS I, GROUP D** *Atmospheres such as acetone, ammonia, benzene, butane, cyclopropane, ethanol, gasoline, hexane, methane, natural gas, naphtha, propane, or gasses or vapors of equivalent hazard.*

**CLASS II GROUP E** *Atmospheres containing Aluminum, Magnesium and other metal dusts with similar characteristics.*

**CLASS II GROUP F** *Atmospheres containing carbonaceous dust, including carbon black, charcoal, coal, or coke dusts that have more than 8% total entrapped volatiles, or dusts that have been sensitized by other materials so that they present an explosion hazard.*

**CLASS II GROUP G** *Atmospheres containing combustible dusts not included in group E or F, including flour, grain, wood, plastic and chemicals.*

## ACCESSORIES

- Hanger Bars/Hooks
- Flexible Hose
- Hose Connectors
- Collar Adaptors
- Utility Guards

**For more information on accessories, see page E12.**







# U SERIES PORTABLE UTILITY FAN - HEAVY DUTY MODELS



**U series utility fans** - formerly known as FANTRAXX smoke ejectors - are ideal for many utility applications and have been designed to meet fire service needs. The units are available in various configurations and sizes to satisfy almost any application. These fans produce high volumes of air in compact and efficient designs. Sizes range from 12" up to 24" blade diameters. Available with totally enclosed or explosion proof motors ranging in size from 1/3HP to 1/2HP. Entire fan assemblies are certified as shown.

All **U series utility fans** are finished in a tough powder coat finish with cadmium plated safety guards. All motors are ball bearing and require no maintenance. Voltages other than those listed (including 50HZ) are available. Consult factory. All units are equipped with 6 feet of cord with a plug (explosion proof units are minus plug). Available accessories include hanger bars and hooks, collar adaptors, flexible hoses, hose connectors and misting adaptor kits.

## FEATURES

- Available in 16" to 24" sizes.
- Totally enclosed ball bearing motor and explosion proof models available.
- Powder coated housing.
- Fans come complete with 6 foot cord and plug (explosion proof motors come without a plug).

For standard duty models please see previous page.

## SPECIFICATIONS

	MODEL	MOTOR	HP	RPM	VOLTAGE	FULL LOAD AMPERAGE (115)	CFM	WEIGHT (LBS)	FAN DIMENSIONS
16"	U16-1HD	Totally enclosed	1/2	1725	115/230	8.8	3740	64	19 1/8" H X 19 1/8" W X 17" L
	U16-4HD	Explosion proof	1/2	1725	115/230	8.0	3740	83	
18"	U18-1HD	Totally enclosed	3/4	1725	115/230	11	5170	78	21 3/8" H X 21 3/8" W X 17" L
	U18-4HD	Explosion proof	3/4	1725	115/230	10.8	5170	96	
20"	U20-1HD	Totally enclosed	1	1725	115/230	13.4	6850	98	24 3/8" H X 24 5/14" W X 17" L
	U20-4HD	Explosion proof	1	1725	115/230	13.4	6850	118	
24"	U24-1HD	Totally enclosed	1 1/2	1725	115/230	15.2	9280	112	26 1/8" H X 26 1/8" W X 17" L
	U24-4HD	Explosion proof	1 1/2	1725	115/230	19	9280	134	

All Explosion Proof Fans have a single speed, dual voltage explosion proof motor that meets and conforms to all the standards that are listed below.

**CLASS I, GROUP D** *Atmospheres such as acetone, ammonia, benzene, butane, cyclopropane, ethanol, gasoline, hexane, methane, natural gas, naphtha, propane, or gasses or vapors of equivalent hazard.*

**CLASS II GROUP F** *Atmospheres containing carbonaceous dust, including carbon black, charcoal, coal, or coke dusts that have more than 8% total entrapped volatiles, or dusts that have been sensitized by other materials so that they present an explosion hazard.*

**CLASS II GROUP G** *Atmospheres containing combustible dusts not included in group E or F, including flour, grain, wood, plastic and chemicals.*

## ACCESSORIES

- Hanger Bars/Hooks
- Flexible Hose
- Hose Connectors
- Collar Adaptors
- Utility Guards

For more information on accessories, see page E12.



# PORTABLE UTILITY FAN & U SERIES SMOKE EJECTOR ACCESSORIES

## HANGER BARS / HOOKS



Adjustable bar and hooks (sold separately) used to hang U Series utility fan from a doorway or opening (Minimum 31" / Maximum 45" wide).

MODEL	DESCRIPTION
SEH-3	DOOR HANGER BAR
SEH-HB	HANGER HOOKS (PAIR)

## HOSE CONNECTORS

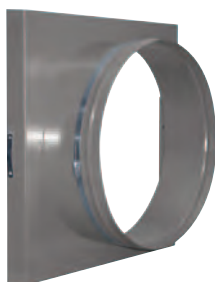
Hose Connectors are required when attaching two lengths of hose together. Two gear clamps are included.



MODEL	FOR HOSE DIAMETER
HK8	8"
HK12	12"
HK16	16"
HK18	18"
HK20	20"
HK24	24"

## COLLAR ADAPTORS

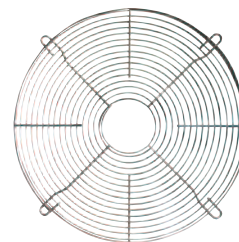
Collar Adaptors are required when using flexible hose. Easily attached to the inlet or discharge of a Smoke Ejector with spring clips (included).



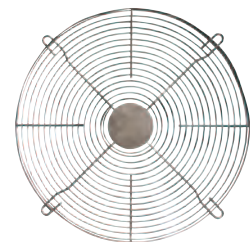
MODEL	HOSE SIZE	FAN SIZE	WEIGHT (LBS)
CA12-12	12"	U12	7
CA16	16"	U16	8
CA18	18"	U18	9
CA20	20"	U20	15
CA24	24"	U24	TBA

## UTILITY GUARDS

Utility Guards have the centers cut out. To order with centre, do not include C in the model number.



2U121CLFI



2U121LFI

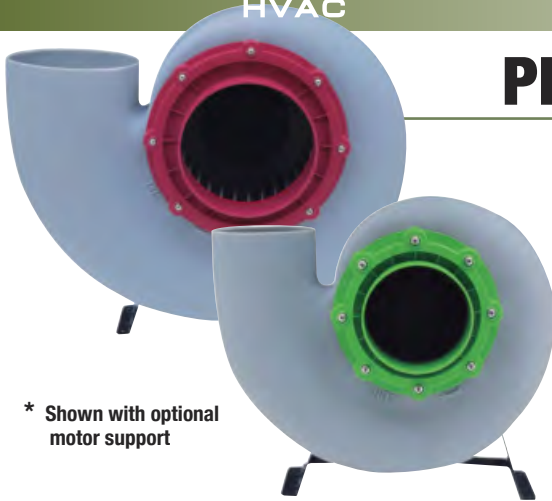
MODEL	SIZE
2U121CLF I	12"
2U161CLF I	16"
2U181CLF I	18"
2U202CLF I	20"
MC27GC	27"
MC30CG	30"

# PLASTEC POLYPROPYLENE BLOWERS

The PLASTEC series polypropylene blowers are designed to work in highly corrosive air applications such as laboratory exhaust or the chemical industry. Housings are constructed of strong, high-density UV treated polypropylene for maximum corrosion resistance. Housings are made of a single piece to avoid leaks. Housings are reversible and rotatable to any of the 8 standard discharge positions.

## FEATURES

- Housings constructed of strong, high density UV treated polypropylene for maximum corrosion resistance.
- One piece housing to avoid leakage.
- Housing is reversible and rotatable to any of the 8 standard discharge positions.
- Wheels are both electronically and dynamically balanced.
- Direct drive, heavy duty ball bearing motors for continuous duty.
- Totally enclosed, fan cooled motors (TEFC) or high efficient explosion proof motors.



\* Shown with optional motor support

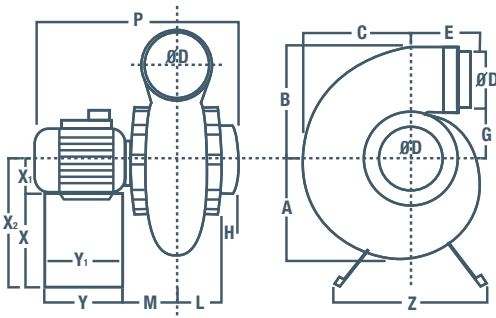
## PERFORMANCE DATA

	MODEL #		INLET/OUTLET SIZE (OD) INCHES	RPM	H.P.	CFM								
	SINGLE PHASE	THREE PHASE				0"	1/4"	1/2"	3/4"	1"	1 1/2"	2"	2 1/2"	4"
<b>TEFC</b>														
15	P15T10025C	P15T30025C-*	4.92/4.92	1140	1/4	200	50	-	-	-	-	-	-	-
	P15T10033B	P15T30033B-*	4.92/4.92	1725	1/3	-	270	170	-	-	-	-	-	-
	P15T10050A	P15T30050A-*	4.92/4.92	3450	1/2	-	-	-	530	510	430	325	-	-
20	P20T10025C	P20T30025C-*	6.30/6.62	1140	1/4	-	500	350	-	-	-	-	-	-
	P20T10033B	P20T30033B-*	6.30/6.62	1725	1/3	-	-	800	700	600	100	-	-	-
	P20T10150A	P20T30150A-*	6.30/6.62	3450	1 1/2	-	-	-	-	-	-	-	1150	800
25	P25T10033C	P25T30033C-*	7.82/8.62	1140	1/3	-	1000	900	600	-	-	-	-	-
	P25T10075B	P25T30075B-*	7.82/8.62	1725	3/4	-	-	-	1500	1400	1100	500	-	-
	-	P25T30300A-*	7.82/8.62	3450	3	-	-	-	-	-	-	-	-	2250
30	P30T10075C	P30T30075C-*	9.84/10.75	1140	3/4	-	2000	1800	1600	1400	-	-	-	-
	P30T10200B	P30T30200B-*	9.84/10.75	1725	2	-	-	-	-	-	2700	2350	2050	-
35	-	P35T30200D	12.75/12.75	850	2	-	-	3250	3000	2500	-	-	-	-
	-	P35T30500C	12.75/12.75	1140	5	-	-	-	-	4100	3750	3000	-	-
	-	P35T31000B	12.75/12.75	1750	10	-	-	-	-	-	-	-	-	3500
<b>EXPLOSION PROOF</b>														
15	P15X10033B	P15X30033B-*	4.92/4.92	1725	1/3	-	270	170	-	-	-	-	-	-
	P15X10050A	P15X30050A-*	4.92/4.92	3450	1/2	-	-	-	530	510	430	325	-	-
20	P20X10033B	P20X30033B-*	6.30/6.62	1725	1/3	-	-	800	700	600	100	-	-	-
	P20X10150A	P20X30150A-*	6.30/6.62	3450	1 1/2	-	-	-	-	-	-	-	1150	800
25	P25X10075B	P25X30075B-*	7.82/8.62	1725	3/4	-	-	-	1500	1400	1100	500	-	-
	-	P25X30300A-*	7.82/8.62	3450	3	-	-	-	-	-	-	-	-	2250
30	P30X10075C	P30X30075C-*	9.84/10.75	1140	3/4	-	2000	1800	1600	1400	-	-	-	-
	P30X10200B	P30X30200B-*	9.84/10.75	1725	2	-	-	-	-	-	2700	2350	2050	-



\* For three phase motors, substitute "\*" with "M" for 208-230/460V, or with "P" for 575V (except on P35 models which are only available in 208-230/460V)

## DIMENSIONS \* Shown with optional motor support



DIMENSION	MODEL	RPMs		
		1150	1725	3450
X1	P15	2 13/16"	2 13/16"	2 13/16"
X2		12 1/4"	12 1/4"	12 1/4"
X1	P20	2 13/16"	2 13/16"	3 1/8"
X2		12 1/4"	12 1/4"	12 5/8"
X1	P25	2 13/16"	3 1/8"	3 9/16"
X2		12 1/4"	12 5/8"	15 3/8"
P	P30	18 7/8"	20 1/2"	22 13/16"
X1		3 1/8"	3 9/16"	22 7/16"
X2	P35	17 11/16"	18 1/8"	-
P		22 7/16"	23 5/8"	-
X1	P35	4.41"	4.41"	-
X2		22.83"	22.83"	-
P		28.50"	28.5"	-

MODEL	A	B	C	D	E	G	H	L	M	P	Y	Y1	Z	X
P15	6 1/16"	9 7/8"	8"	4 7/8"	5 11/16"	4 3/4"	1 1/5"	2 3/4"	3 1/8"	14 1/4"	7 1/16"	6 5/16"	13 3/8"	9 7/16"
P20	8 3/16"	12 1/16"	9 7/16"	6 5/8"	6 3/16"	5 1/2"	1 1/3"	3 3/8"	3 11/16"	15 1/3"	7 1/16"	6 5/16"	13 3/8"	9 7/16"
P25	9 3/4"	14 3/4"	12 3/16"	8 5/8"	6 5/8"	6 1/8"	1 1/3"	3 3/4"	4 1/8"	-	7 1/16"	6 5/16"	16 1/2"	-
P30	11 3/16"	18 3/16"	14 11/16"	10 3/4"	7"	7 5/16"	1 1/3"	4 5/16"	4 3/4"	-	9 7/16"	8 11/16"	18 1/8"	-
P35	14.57"	22.44"	17.72"	12.75"	5.12"	10.04"	2.36"	5.91"	6.69"	28.50"	13.78"	12.36"	23.62"	18.43"

## ACCESSORIES

- Weather hood enclosed pedestal for weather protection
- Roof unit kit
- Roof curbs
- Dampers
- Motor supports



Plastec products are special non-standard items and are not-returnable and cannot be cancelled.

# JET SERIES POLYPROPYLENE INLINE FANS



The JET Series centrifugal inline fan is designed to work in highly corrosive air applications such as laboratory exhaust or the chemical industry. In-line centrifugal fan from 6" up to 10" inlet. Mounted on a roof curb or an In-line, JET fans generate a high plume exhaust to ensure maximum dilution of gases in the environment. Smooth and quiet performance. Ideal for water treatment plants and fume hood exhaust applications.

## FEATURES

- Polypropylene casing and wheel recommended up to 190°F.
- Housing shall be constructed of strong high-density UV treated polypropylene for maximum corrosion resistance.
- High plume of air to ensure maximum dilution of gases to prevent exhaust fumes returning into buildings.
- Wheels are both electronically and dynamically balanced.
- Direct drive, heavy-duty ball bearing type motors for continuous duty.

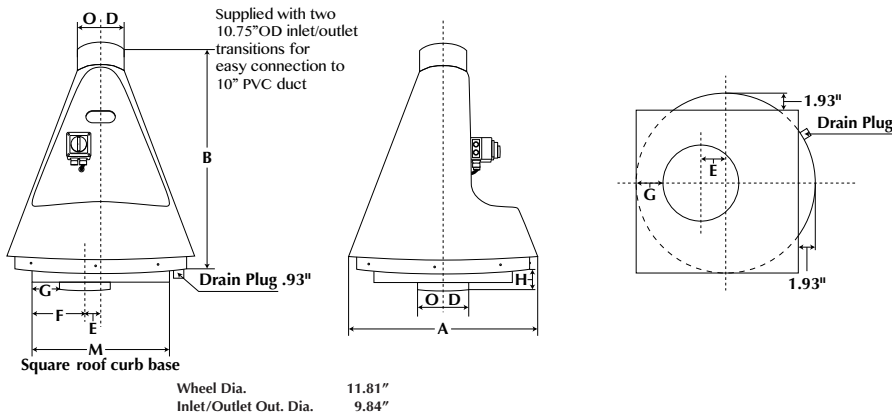
## SPECIFICATIONS

MODEL	MODEL #		INLET/OUTLET SIZE (OD) INCHES	RPM	H.P.	CFM														
	SINGLE PHASE	THREE PHASE				1/4"	1/2"	3/4"	1"	1 1/2"	2"	2 1/2"	3"	3.5"	4"	4.5"	7.5"	8.5"		
	TEFC																			
20	JET20T10025C	JET20T30025C-*	6.62/6.62	1140	1/4	325	100	-	-	-	-	-	-	-	-	-	-	-	-	
	JET20T10033B	JET20T30033B-*	6.62/6.62	1725	1/3	-	500	400	300	-	-	-	-	-	-	-	-	-	-	
	JET20T10150A	JET20T30150A-*	6.62/6.62	3450	1 1/2	-	-	-	-	-	1000	950	900	800	690	550	-	-	-	
25	JET25T10033C	JET25T30033C-*	8.62/8.62	1140	1/3	-	750	575	225	-	-	-	-	-	-	-	-	-	-	
	JET25T10075B	JET25T30075B-*	8.62/8.62	1725	3/4	-	-	-	1050	850	575	-	-	-	-	-	-	-	-	
	-	JET25T30300A-*	8.62/8.62	3450	3	-	-	-	-	-	-	-	-	-	-	-	-	1350	800	
30	JET30T10075C	JET30T30075C-*	10.75/10.75	1140	3/4	-	1500	1375	1250	250	-	-	-	-	-	-	-	-	-	
	JET30T10200B	JET30T30200B-*	10.75/10.75	1725	2	-	-	-	-	2100	1850	1500	875	-	-	-	-	-	-	
EXPLOSION PROOF																				
20	JET20X10033B	JET20X30033B-*	8.62/8.62	1725	1/3	-	500	400	300	-	-	-	-	-	-	-	-	-	-	
30	-	JET30X30075C-*	10.75/10.75	1140	3/4	-	1500	1375	1250	250	-	-	-	-	-	-	-	-	-	
	-	JET30X30200B-*	10.75/10.75	1775	2	-	-	-	-	2100	1850	1500	875	-	-	-	-	-	-	

\* For three phase motors, substitute "\*" with "M" for 208-230/460V, or with "P" for 575V

## DIMENSIONS

MODEL	A	B	D	E	F	G	H	M (ID)	X	Y
JET20	23.62"	33.25"	6.3"	1.93"	9.87"	6.31"	4.5"	21.25" X 21.25"	11"	11.81"
JET25	28.93"	39.12"	7.87"	2.37"	12"	5.68"	5.31"	21.25" X 21.25"	13"	11.81"
JET30	34.62"	43.31"	9.84"	2.75"	7.87"	2.93"	5.12"	21.25" X 21.25"	15.75"	15.75"

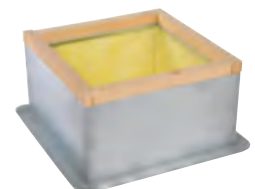


## ACCESSORIES

- Optional JET Wall Mounting Bracket
- Optional Insulated Galvalume Roof Curb



Wall Mounting Bracket



Insulated Galvalume Roof Curb



Plastec products are special non-standard items and are not-returnable and cannot be cancelled.

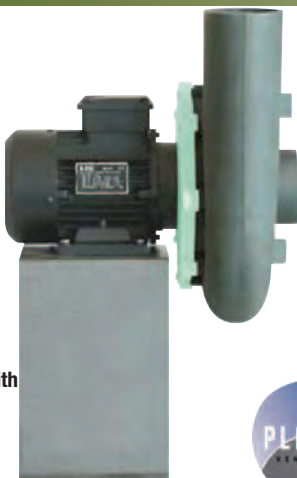
# STORM SERIES POLYPROPYLENE BLOWERS

Designed to exhaust fumes from highly corrosive environments such as laboratory exhaust or the chemical industry, especially those with high static pressure and low CFM. 3 sizes available from 3" to 6" inlet/outlet. It is an excellent system for Scrubber Applications and other systems requiring low airflow at higher static pressure. Suitable for many applications such as acid tank ventilation, hood exhaust, commercial washers wastewater, chemical cabinets/rooms, etc.

## FEATURES

- Polypropylene casing and wheel recommended up to 190°F.
- Housing shall be constructed of strong high-density UV treated polypropylene for maximum corrosion resistance.
- Housing is made of one piece to avoid leaks.
- Housing is rotatable to any of the 8 standard discharge positions.
- Wheels are both electronically and dynamically balanced.
- Direct drive, heavy-duty ball bearing type motors for continuous duty.

\* Shown with optional motor support



## SPECIFICATIONS

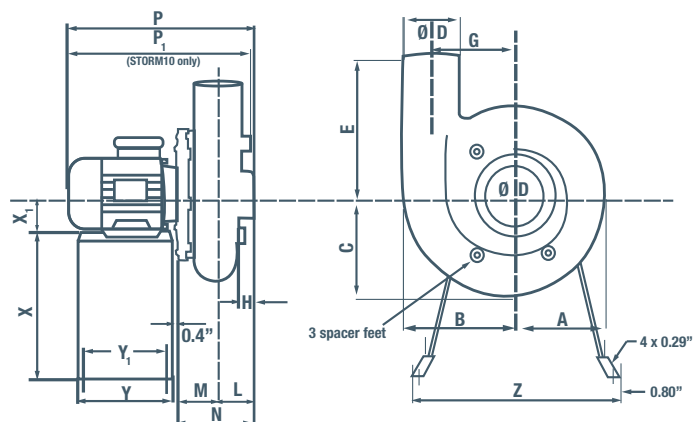
MODEL #	MODEL #		INLET/OUTLET SIZE (OD) INCHES	RPM	H.P.	CFM													
	SINGLE PHASE	THREE PHASE				1/4"	1/2"	3/4"	1"	1 1/2"	2"	2 1/4"	3"	4"	4.5"	6.5"	7.5"	11"	12"
<b>TEFC</b>																			
MODEL	10	STORM10T10012B	-	2.95/2.95	1725	1/8	60	40	-	-	-	-	-	-	-	-	-	-	
		STORM10T10016A	STORM10T30016A*	2.95/2.95	3450	1/3	-	-	135	125	100	75	50	-	-	-	-	-	
	12	STORM12T10033B	STORM12T30033B*	3.54/3.54	1725	1/3	225	190	150	125	-	-	-	-	-	-	-	-	
		STORM12T10100A	STORM12T30100A*	3.54/3.54	3450	1	-	-	-	-	380	360	350	325	250	200	-	-	
	14	STORM14T10050B	STORM14T30050B*	4.53/4.53	1725	1/2	-	-	-	-	400	100	-	-	-	-	-	-	
		-	STORM14T30300A*	4.53/4.53	3450	3	-	-	-	-	-	-	-	-	-	-	800	550	-
16	-	STORM16T30550A*	6.5/6.5	3450	5 1/2	-	-	-	-	-	-	-	-	-	-	-	-	1200	300
<b>EXPLOSION PROOF</b>																			
MODEL	10	STORM10X10033B	STORM10X30033B*	2.95/2.95	1725	1/3	60	40	-	-	-	-	-	-	-	-	-	-	
		STORM10X10016A	-	2.95/2.95	3450	1/3	-	-	135	125	100	75	50	-	-	-	-	-	
	12	STORM12X10033B	STORM12X30033B*	3.54/3.54	1725	1/3	225	190	150	125	-	-	-	-	-	-	-	-	
		STORM12X10100A	STORM12X30100A*	3.54/3.54	3450	1	-	-	-	-	380	360	350	325	250	200	-	-	
	14	STORM14X10050B	STORM14X30050B*	4.53/4.53	1725	1/2	-	-	-	-	400	100	-	-	-	-	-	-	
		-	STORM14X30300A*	4.53/4.53	3450	3	-	-	-	-	-	-	-	-	-	-	800	550	-
16	-	STORM16X30550A*	6.5/6.5	3450	5 1/2	-	-	-	-	-	-	-	-	-	-	-	-	1200	300

\* For three phase motors, substitute "\*" with "M" for 208-230/460V, or with "P" for 575V

## DIMENSIONS

MODEL	A	B	C	D	E	G	H	L	M	N	Y	Y <sub>1</sub>	Z	X
STORM10	4.53	5.31	5.00	2.95	6.22	3.82	1.26	1.90	2.24	4.14	7.09	6.3	13.39	9.45"
	P <sub>1</sub>	P	X <sub>1</sub>	MOTOR TYPE										
	10.73"	11.88"	2.30"	Single Phase .12 HP 4 Pole										
	13.75"	14.90"	3.16"	Single Phase .16 HP 2 Pole										
	18.00"	19.15"	3.43"	Single Phase .12 HP 4 Pole										

MODEL	WHEEL DIAMETER	A	B	C	D	E	G	H	L	M	N	P	Y	Y <sub>1</sub>	Z	X	X <sub>1</sub>
STORM12	7.75"	5.71"	6.89"	6.42"	3.54"	8.35"	5.12"	1.77"	3.15"	2.83"	5.98"	13.78"	7.09"	6.3"	13.39"	9.45"	2.8"
STORM14	9.75"	7.4"	9.13"	8.94"	4.53"	10.58"	6.69"	4.17"	6.33"	3.27"	9.6"	19.05"	7.125"	6.3"	13.39"	11.75"	3.15"
STORM16	11.75"	9.25"	11.34"	10.94"	6.5"	12.31"	8.07"	1.57"	3.94"	3.82"	7.76"	18.78"	13.78"	12.36"	23.62"	18.43"	4.41"



Metal stand does not come standard with fan. Motor frame sizes may vary upon type of motor used.

## ACCESSORIES

- Weather hood enclosed pedestal for weather protection



WH4 Pedestal Weather Hood



WH3 Pedestal Weather Hood



Plastec products are special non-standard items and are not-returnable and cannot be cancelled.



# GREEN PRODUCTS

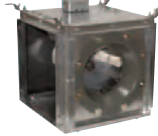
**F1 200DD & 9200DD-EC SERIES**

Forward Curved Inline Duct Blowers



**F3 GSQ-D-EC SERIES**

Backward Inclined Direct Drive Square Inline Blowers



**F4 ECSMART MOTOR**



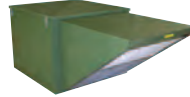
**F5 300DD-EC SERIES**

Side Intake Filtered Fresh Air Supply Units



**F6 SISDD-EC SERIES**

Filtered Fresh Air Supply Units



**F7 700DD-EC SERIES**

Direct Drive Radial Blade Blower



**F8 G-DDE SERIES**

Centrifugal, Forward Curved, Direct Drive with EC Motors DWDI Blowers



**F9 SD-EC**

Standard Wall Exhaust Fans



**F10 GREEN SERIES 2 SPEED SD-EC**

Standard Wall Exhaust Fans



**F11 AX-EC SERIES**

Shutter Mounted Fans with EC Motors



**F12 P-PANEL EC SERIES**

Mounted Fans with EC Motors

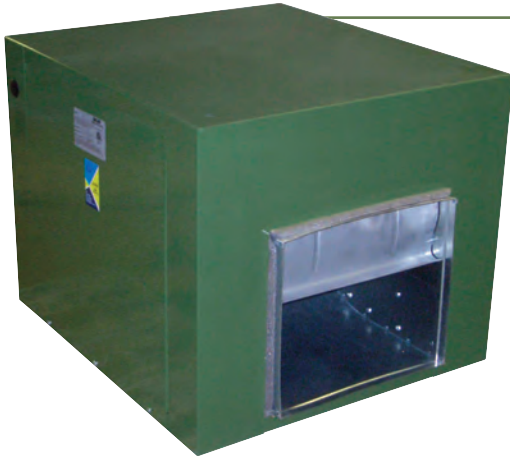






# GREEN SERIES 200DD-EC & 9200DD-EC

## Forward Curved Inline Series Duct Blowers



### 200DD SERIES

Indoor Applications, Insulated or Non-Insulated

### 9200DD SERIES

Heavy duty, Insulated Indoor or Outdoor Applications

## FEATURES

- High efficiency direct drive motor for energy efficient, low maintenance applications.
- Forward curved blowers operate at low RPM for low noise levels.
- Attractive green baked on powder coat finish.
- EC Motor offers true variable speed operation and up to 70% energy savings over PSC motors.

## PERFORMANCE SPECIFICATIONS

MODEL	MOTOR			AIRFLOW (CFM @ Static Pressure)															
	HP	Variable Speed	Max RPM	0"				1/2"				1"				1 1/4"			
				High	FEI	Low	FEI	High	FEI	Low	FEI	High	FEI	Low	FEI	High	FEI	Low	FEI
209DD050EC	1/2	Y*	1200	1925	-	900	-	1550	-	600	-	950	-	600	-	-	-	-	-
209DD100EC	1	Y*	1200	2450	0.66	900	1.85	2100	0.81	600	1.72	1500	1.22	600	1.3	-	-	-	-
210DD050EC	1/2	Y*	1100	2200	-	1100	-	1850	-	600	-	1500	-	600	-	950	-	600	-
210DD100EC	1	Y*	1100	2775	0.7	1100	1.88	2500	0.93	600	1.59	1800	1.22	600	1.29	950	1.18	600	1.23
212DD050EC	1/2	Y*	1000	2900	-	1800	-	2100	-	600	-	1550	-	600	-	1200	-	600	-
212DD100EC	1	Y*	1000	3600	0.78	1800	1.71	3100	1	600	1.69	2450	1.25	600	1.28	1200	1.26	600	1.17

MODEL	MOTOR			AIRFLOW (CFM @ Static Pressure)															
	HP	Variable Speed	Max RPM	0"				1/2"				1"				1 1/4"			
				High	FEI	Low	FEI	High	FEI	Low	FEI	High	FEI	Low	FEI	High	FEI	Low	FEI
9209DD050EC	1/2	Y*	1200	1925	-	900	-	1550	-	600	-	950	-	600	-	--	-	--	-
9209DD100EC	1	Y*	1200	2400	0.54	900	1.79	2100	0.74	600	1.32	1500	0.83	600	1.09	--	-	--	-
9210DD050EC	1/2	Y*	1100	2200	-	1100	-	1800	-	600	-	1500	-	600	-	900	-	600	-
9210DD100EC	1	Y*	1100	2700	0.59	1100	1.82	2500	0.8	600	1.7	1800	1.14	600	1.29	900	1.24	600	1.17
9212DD050EC	1/2	Y*	1000	2900	-	1800	-	2100	-	600	-	1550	-	600	-	1200	-	600	-
9212DD100EC	1	Y*	1000	3600	0.7	1800	1.65	3100	0.95	600	1.69	2450	1.11	600	1.28	1200	1.25	600	1.16

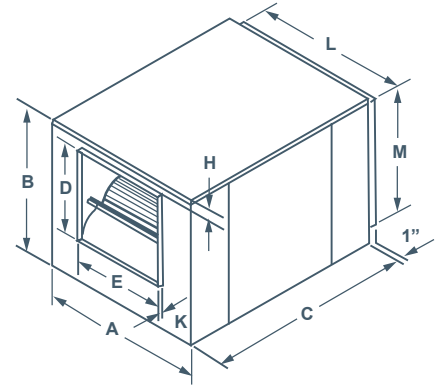
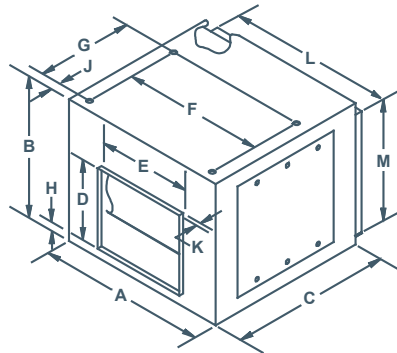
\* Minimum motor speed 425 RPM (EC Models)

EC motors can be controlled using the built in potentiometer on motor or by using a 0 to 10 V controller, or by a remote potentiometer.

REVIEW FAN CURVES BEFORE ADJUSTING RPM TO ENSURE LOAD DOES NOT EXCEED MOTOR HP.

# GREEN SERIES 200DD-EC & 9200DD-EC

Forward Curved Inline Series Duct Blowers



## DIMENSIONS

MODEL	A	B	C	OUTLET		F	G	H	J	K	INLET		SHAFT DIAMETER	UNIT WEIGHT (LBS) (without motor)
				D	E						L	M		
209DD	21"	18"	23"	10 1/4"	11 13/16"	17 1/2"	11 3/4"	1 1/4"	1 3/4"	7/8"	19"	16"	3/4"	55
210DD	22.25"	20"	24 3/4"	11 3/8"	13 1/8"	18 3/4"	13 3/8"	1 1/4"	1 3/4"	7/8"	20 1/4"	18"	3/4"	65
212DD	27"	23"	27 1/2"	13 7/16"	15 5/8"	23 1/2"	16 1/8"	1 1/4"	1 3/4"	7/8"	25"	21"	3/4"	82
9209DD	21"	18"	23"	11 1/4"	12 3/4"	N/A	N/A	1"	N/A	1 1/8"	19"	16"	3/4"	61
9210DD	22 1/4"	20"	24 3/4"	12 3/8"	14 1/8"	N/A	N/A	1"	N/A	1 1/8"	20 1/4"	18"	3/4"	70
9212DD	30 1/8"	24 3/4"	34"	14 1/2"	16 5/8"	N/A	N/A	2 1/8"	N/A	1 1/8"	25 1/8"	21 1/8"	1"	143

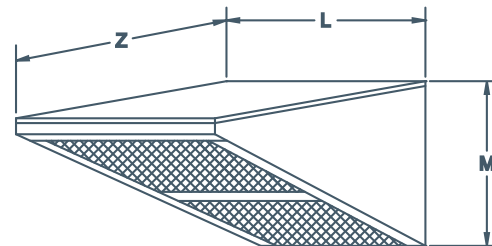
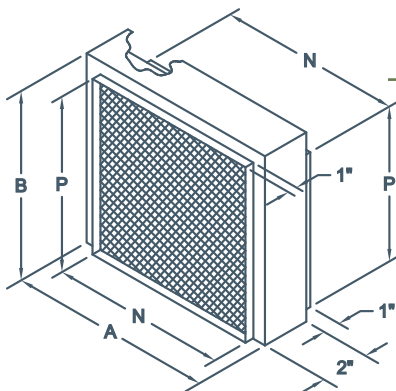
## ACCESSORIES

- Filter sections
- Intake Hoods
- Vibration Isolators
- Back Draft Dampers



# FILTER SECTIONS & INTAKE HOODS

Series F200A, F9220A & H9200



## F200A FILTER SECTION

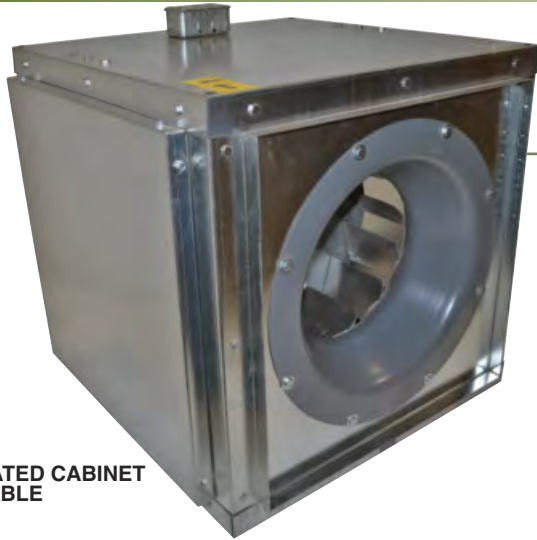
For 200DD & 9200DD Series Duct Blowers

## H9200 INTAKE HOOD

For 9200DD Series Duct Blowers

MODEL	A	B	N	P	FILTER		UNIT WEIGHT (LBS)
					SIZE	QUANTITY	
F209A	21"	18"	19 1/8"	16 1/8"	16 3/4" X 19 7/8"	1	12
F210A	22 1/4"	20"	20 3/8"	18 1/8"	18 3/4" X 21 1/8"	1	14
F212A	27"	23"	25 1/8"	21 1/8"	21 3/4" X 25 7/8"	1	16

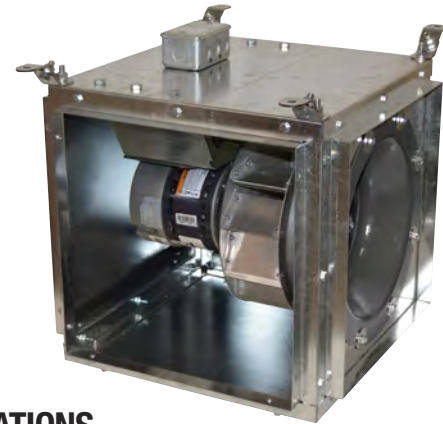
MODEL	L	M	Z	FILTER		UNIT WEIGHT (LBS)
				SIZE	QUANTITY	
H9209	19 1/4"	16 9/16"	21 1/4"	16" X 24"	1	14
H9210	20 1/2"	18 9/16"	25 3/4"	15" X 20"	2	16
H9212	25 3/8"	21 9/16"	30 3/4"	20" X 25 & 16" X 25"	2	27



INSULATED CABINET AVAILABLE

# GSQ-D-EC SERIES

Backward Inclined Direct Drive Square Inline Blowers



## FEATURES

- Available in 9" to 18".
- High efficiency aluminum wheel.
- Side discharge option as standard - simply re-locate the side panel to the discharge.
- Bottom discharge available with flange kit.
- Junction box.
- High Efficiency EC variable speed motor.
- Multiple mounting options.

## PERFORMANCE SPECIFICATIONS

MODEL	TYPICAL MAXIMUM CFM @ SP						HP	MAX HP	RPM
	1/4" SP	1/2" SP	3/4" SP	1" SP	1 1/4" SP	1 1/2" SP			
GSQ090-D-EC	425	325	175	--	--	--	1/4	1/4HP	1800
GSQ105-D-EC	1150	1000	825	550	--	--	1/3	1/3 HP	1800
GSQ120-D-EC	1725	1575	1425	1200	1025	500	1/2	1/2 HP	1800
GSQ135-D-EC	2575	2400	2250	2000	1850	1400	3/4	3/4 HP	1800
GSQ150-D-EC	3300	3100	2825	2450	2200	1900	1	1 HP	1800
GSQ165-D-EC	3750	3350	2950	2550	2250	1900	1	1 HP	1500
GSQ180-D-EC	4200	3650	3250	2550	--	--	1	1 HP	1200

Power rating (BHP) does not include transmission losses. Performance certified is for installation type B - Free inlet, Ducted Outlet. Performance ratings do not include the effects of appurtenances (accessories).  
CFM values listed above are summarized for convenience.

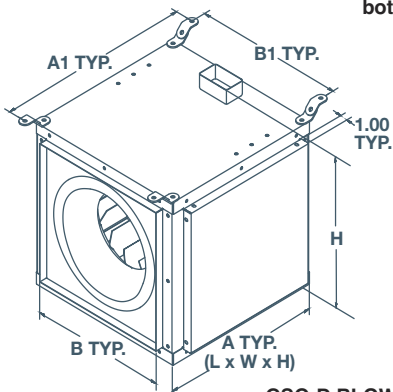
FOR FAN CURVES & FULL PERFORMANCE DATA, CONSULT OUR DELAIR SOFTWARE.  
DOWNLOAD DELAIR @ [WWW.CANARM.COM/DELAIR](http://WWW.CANARM.COM/DELAIR)

## DIMENSIONS

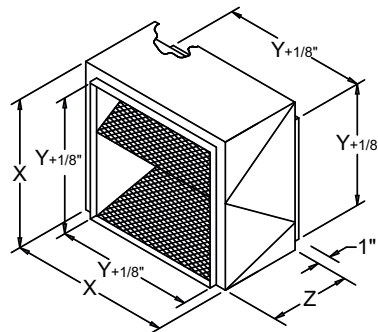
GSQ-D-EC DIRECT DRIVE BACKWARD INCLINED SQUARE INLINE BLOWER					
MODEL	A	B	A1	B1	H
GSQ090-D-EC	15 5/64"	11 5/64"	18 37/64	11	15 7/16"
GSQ105-D-EC	17 1/8"	14 5/8"	21 1/2"	15 3/8"	18 15/16"
GSQ120-D-EC	20"	17"	24 3/8"	17 3/4"	21 13/16"
GSQ135-D-EC	22"	18 3/4"	26 3/8"	19 1/2"	23 13/16"
GSQ150-D-EC	24 1/2"	20 7/8"	38 3/8"	21 5/8"	26 5/16"
GSQ165-D-EC	26 3/4"	23"	31 1/8"	23 3/4"	28 9/16"
GSQ180-D-EC	29 5/8"	25 3/8"	34"	26 1/8"	31 7/16"

F-GSQ FILTER SECTION					
MODEL	A	B	Z	FILTER FACTOR	UNIT WEIGHT(LBS)
F-DSQ090	15 5/64"	11 5/64"	6"	7.085	9 lbs
F-DSQ105	20"	14"	6"	7.085	10
F-DSQ120	20"	17"	6"	3.069	13
F-DSQ135	22"	18 3/4"	6"	2.184	15
F-DSQ150	24 1/2"	20 7/8"	14"	0.762	26
F-DSQ165	26"	23"	14"	0.63	27
F-DSQ180	28 5/8"	25 3/8"	14"	0.463	30

Mounting brackets shown in both positions. Can be top or bottom mounted.



GSQ-D BLOWER



FILTER SECTION

$$\text{Filter Resistance} = \text{Filter Factor} \times \text{CFM}^2 \times 10^{-8} \text{ in. wg}$$

## ACCESSORIES

- F-DSQ Filter section with 'V' bank 1" aluminum filters. (Filter rack will accept customer supplied 2" filters).
- Suspension or base mount vibration isolators.
- Insulated cabinet available (see price list).



NEW HIGH EFFICIENCY ECSMART MOTOR -  
UP TO 70% ENERGY SAVINGS WITH  
EC MOTORS

# ECsmart MOTORS

with User Interface for Speed Control, High Efficiency



ODP & TEAO with  
with built in speed control

Meets IE4 Super Premium Efficiency  
Rating Threshold – 1/2hp, 1800 rpm  
reaches 87% Peak Efficiency



TEAO - Suitable for  
wet locations

Remote mount 0 to 10V speed  
control available see Controls  
section.

## FEATURES

- High efficiency, up to 85% efficiency with watt savings of 30 to 70%
- Variable HP & speed
- 1/4 HP to 1.0 HP, 1800, 1200 and 1000 RPM models available
- 48 NEMA frame with all AC motor mounting options available for drop in replacement of AC motors
- Soft start - quiet and lower start up amperage loads
- Advanced electronic protection- cool running and self-limiting thermal and amperage control
- Totally enclosed or ODP with reversible options - suitable for many applications
- Available with or without built in potentiometer which can be controlled remotely using optional 0-10V control
- Standard LED display for RPM readout
- 120/208-280V
- Single phase, 50/60 HZ
- Separate AC and DC power connection boxes for safety.
- Customizable Maximum RPM to match wheel/blade/product restraints.



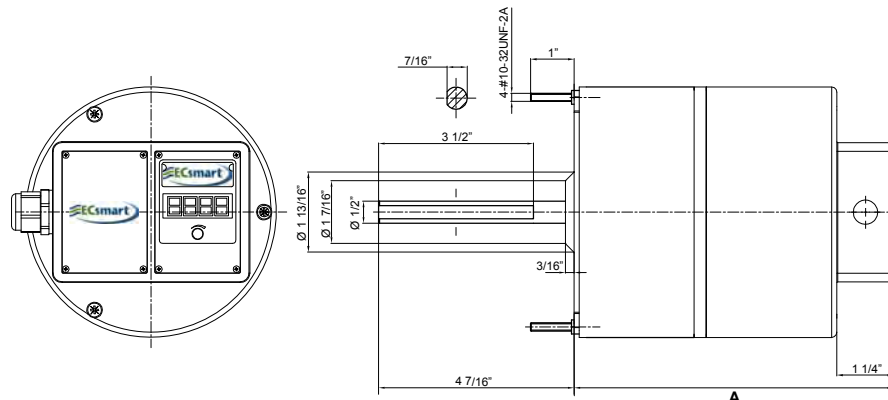
## PERFORMANCE SPECIFICATIONS

	MODEL NUMBER	HP	RPM	VOLTS	AMPS	HZ	SHIP WT. (LBS)
Totally Enclosed with Built In Speed Control	8842025-RPM18	1/4	300-1800	120/208-280V	3.1/1.8-1.5	50/60	10
	8842033-RPM18	1/3	300-1800	120/208-280V	4.1/2.5-2.0	50/60	10
	8842050-RPM18	1/2	300-1800	120/208-280V	5.7/3.4-2.6	50/60	10
	8842050-RPM12	1/2	300-1200	120/208-280V	5.7/3.5-2.8	50/60	10
	8842075-RPM18	3/4	300-1800	120/208-280V	7.7/4.7-3.7	50/60	15
	8842075-RPM10	3/4	300-1000	120/208-280V	TBA	50/60	15
ODP with Built In Speed Control	8842100-RPM18	1	300-1800	120/208-280V	11/6.4-5.2	50/60	15
	8842100-RPM12	1	300-1200	120/208-280V	9.7/6.0-4.6	50/60	15
	8844025-RPM18	1/4	300-1800	120/208-280V	3.1/1.8-1.5	50/60	10
	8844033-RPM18	1/3	300-1800	120/208-280V	4.1/2.5-2.0	50/60	10
	8844050-RPM18	1/2	300-1800	120/208-280V	5.7/3.4-2.6	50/60	10
	8844050-RPM12	1/2	300-1200	120/208-280V	5.7/3.5-2.8	50/60	10
Totally Enclosed - For Wet locations	8844075-RPM18	3/4	300-1800	120/208-280V	7.7/4.7-3.7	50/60	15
	8844075-RPM10	3/4	300-1000	120/208-280V	TBA	50/60	15
	8844100-RPM18	1	300-1800	120/208-280V	11/6.4-5.2	50/60	15
	8844100-RPM12	1	300-1200	120/208-280V	11.5/7.2-5.4	50/60	15
	8842025-10V18	1/4	300-1800	120/208-280V	3.1/1.8-1.5	50/60	10
	8842033-10V18	1/3	300-1800	120/208-280V	4.1/2.5-2.0	50/60	10
8842050-10V18	1/2	300-1800	120/208-280V	5.7/3.4-2.6	50/60	10	
8842050-10V12	1/2	300-1200	120/208-280V	5.7/3.5-2.8	50/60	10	
8842075-10V18	3/4	300-1800	120/208-280V	7.7/4.7-3.7	50/60	15	
8842075-10V10	3/4	300-1000	120/208-280V	TBA	50/60	15	
8842100-10V18	1	300-1800	120/208-280V	11/6.4-5.2	50/60	15	
8842100-10V12	1	300-1200	120/208-280V	9.7/6.0-4.6	50/60	15	

Please note: Specifications are subject to change without notice as the product is still in development stages. See Controls section for speed controls for above motors.

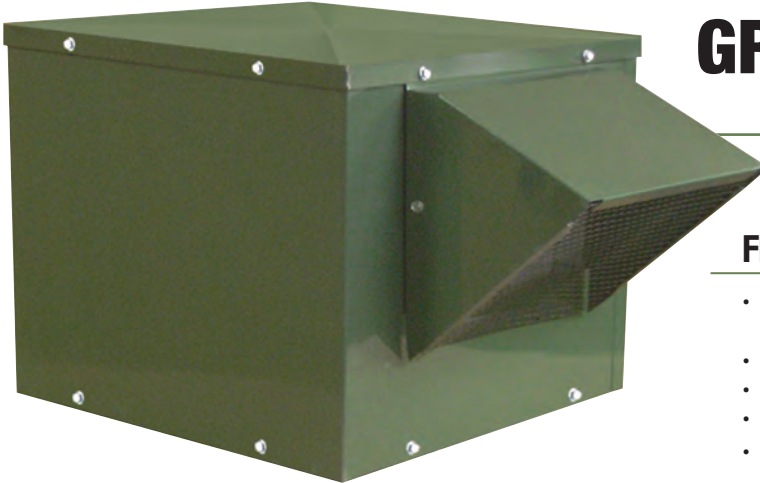
## DIMENSIONS

MODEL	A
8842025-RPM18/10V18	7 1/4"
8842033-RPM18/10V18	7 1/4"
8842050-RPM18/10V18	7 1/4"
8842050-RPM12/10V12	8"
8842075-RPM18/10V18	8"
8842075-RPM10/10V10	8"
8842100-RPM18/10V18	8"
8842100-RPM12/10V12	7 1/4"



# GREEN SERIES 300DD-EC

## Forward Curved Roof Exhauster



### FEATURES

- High efficiency direct drive motor for energy efficient low maintenance applications
- Square base allows discharge to be oriented in any of 4 directions.
- Back draft damper and bird screen included.
- Cabinet insulated with 1/2" fiberglass insulation.
- EC Motor offers true variable speed operation and up to 70% energy savings over PSC motors.

### PERFORMANCE SPECIFICATIONS

MODEL	MOTOR			AIRFLOW (CFM @ Static Pressure)															
	HP	Variable Speed	Max RPM	0"			1/2"			1"			1 1/4"						
				High	FEI	Low	FEI	High	FEI	Low	FEI	High	FEI	Low	FEI				
309DD050EC	1/2	Y*	1200	1700	-	700	-	1325	-	500	-	950	-	500	-	300	-	300	-
309DD100EC	1	Y*	1200	2100	0.32	700	1.72	1500	0.7	500	1.43	950	1.03	500	1.08	300	0.9	300	0.9
310DD050EC	1/2	Y*	1100	2050	-	1000	-	1500	-	400	-	1050	-	400	-	-	-	-	-
310DD100EC	1	Y*	1100	2600	0.36	1000	1.69	2100	0.64	400	1.37	1200	1.02	400	1.15	700	0.98	400	1.1
312DD050EC	1/2	Y*	1000	2600	-	1700	-	1850	-	600	-	1250	-	600	-	1000	-	600	-
312DD100EC	1	Y*	1000	3300	0.43	1700	1.42	2700	0.75	600	1.48	2150	0.8	600	1.16	1600	0.99	600	1.07

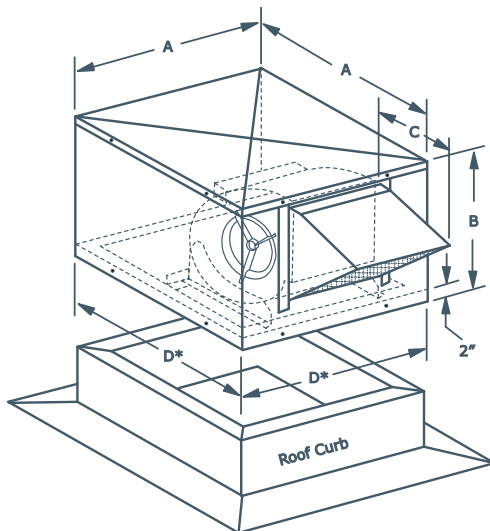
\* Minimum motor speed 425 RPM (EC Models)

EC motors can be controlled using the built in potentiometer on motor or by using a 0 to 10 V controller, or by a remote potentiometer.

REVIEW FAN CURVES BEFORE ADJUSTING RPM TO ENSURE LOAD DOES NOT EXCEED MOTOR HP.



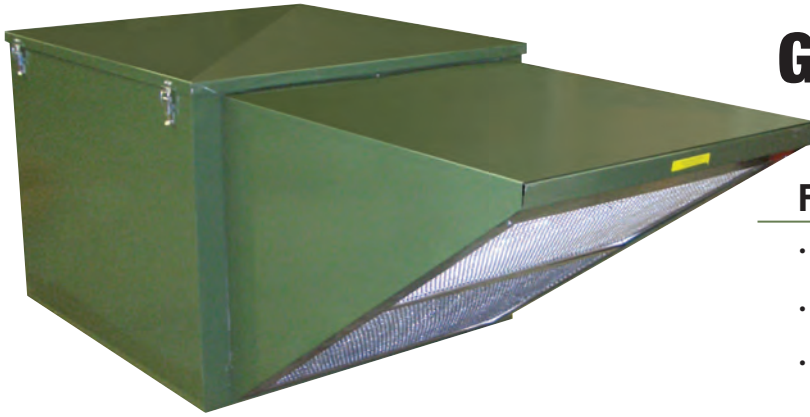
### DIMENSIONS



MODEL	A	B	C	* D INSIDE	SHAFT DIAMETER	UNIT WEIGHT (LBS) (without motor & drives)
309DD	24 3/8"	19 3/8"	10 5/8"	24"	3/4"	63
310DD	28 3/8"	21 3/8"	11 3/8"	28"	3/4"	88
312DD	32 3/8"	24 5/8"	13 1/8"	32"	3/4"	113

\* D is an inside dimension.

Curb size must be smaller to allow for flashing.



# GREEN SERIES SISDD-EC

Side Intake Filtered Fresh Air Supply Units

## FEATURES

- High efficiency direct drive motor for energy efficient low maintenance applications.
- Side intake provides a means to meet supply and exhaust air separation in restaurant applications.
- Easy on-site addition of customer supplied air supply duct extension provides additional separation where necessary.
- Filters designed with large surface area for efficient filtration.
- Green weather resistant baked powder coat finish.
- EC Motor offers true variable speed operation and up to 70% energy savings over PSC motors.

## PERFORMANCE SPECIFICATIONS

MODEL	MOTOR			AIRFLOW (CFM @ Static Pressure)															
	HP	Variable Speed	Max RPM	0"				1/2"				1"				1 1/4"			
				High	FEI	Low	FEI	High	FEI	Low	FEI	High	FEI	Low	FEI	High	FEI	Low	FEI
SIS9DD050EC	1/2	Y*	1200	1600	-	750	-	1450	-	600	-	1200	-	500	-	450	-	400	-
SIS9DD100EC	1	Y*	1200	2050	0.59	750	1.85	1950	0.75	600	1.5	1200	1.11	500	1.17	450	1.07	400	1.06
SIS10DD050EC	1/2	Y*	1100	1975	-	1100	-	1400	-	400	-	800	-	400	-	-	-	-	-
SIS10DD100EC	1	Y*	1100	2500	0.61	1100	1.57	2050	0.85	400	1.62	1400	1.11	400	1.28	750	1.23	300	1.09
SIS12DD050EC	1/2	Y*	1000	2600	-	1800	-	1925	-	400	-	850	-	400	-	600	-	300	-
SIS12DD100EC	1	Y*	1000	3300	0.58	1800	1.25	2800	0.8	400	1.37	2300	0.96	400	1.07	1650	1.07	300	0.92

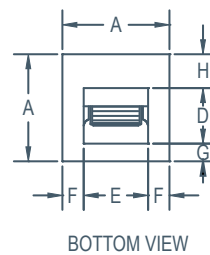
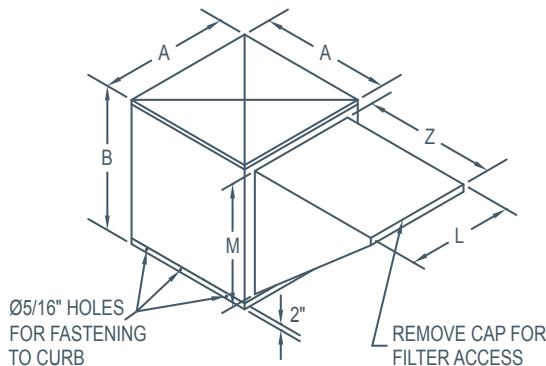
\* Minimum motor speed 425 RPM (EC Models)

EC motors can be controlled using the built in potentiometer on motor or by using a 0 to 10 V controller, or by a remote potentiometer.

REVIEW FAN CURVES BEFORE ADJUSTING RPM TO ENSURE LOAD DOES NOT EXCEED MOTOR HP.



## DIMENSIONS



MODEL	A	B	D	E	F	G	H	L	M	Z	FILTERS		*INSIDE CABINET	UNIT WEIGHT (LBS) (without motors & drives)
											SIZE	QUANTITY		
SIS-9DD	24 3/8"	19 3/8"	10 1/4"	11 13/16"	6 9/32"	7 1/16"	7 1/16"	19 1/4"	16 9/16"	21 1/4"	16" x 24" x 1"	1	24"x 24"	70
SIS-10DD	28 3/8"	21 3/8"	11 3/8"	13 1/8"	7 5/8"	8 1/2"	8 1/2"	20 1/2"	18 9/16"	25 3/4"	15" x 20" x 1"	2	28"x 28"	87
SIS-12DD	32 3/8"	24 5/8"	13 7/16"	15 5/8"	8 3/8"	9 15/32"	9 15/32"	25 3/8"	21 9/16"	30 3/4"	20" x 25" x 1" & 16" x 25" x 1"	1 & 1	32"x 32"	117

\* Curb size to be smaller than inside cabinet to allow for flashing and roofing.

\*\* Includes filter section.



# GREEN SERIES 700DD-EC

Filtered Fresh Air Supply Units

## FEATURES

- High efficiency direct drive motor for energy efficient low maintenance applications.
- Green, weather resistant baked powder coat finish.
- Latched top cover provides convenient service access to 4 filters.
- EC Motor offers true variable speed operation and up to 70% energy savings over PSC motors.

## PERFORMANCE SPECIFICATIONS

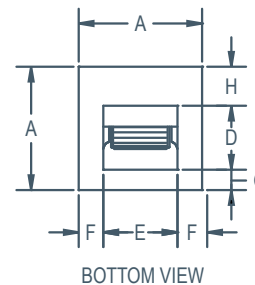
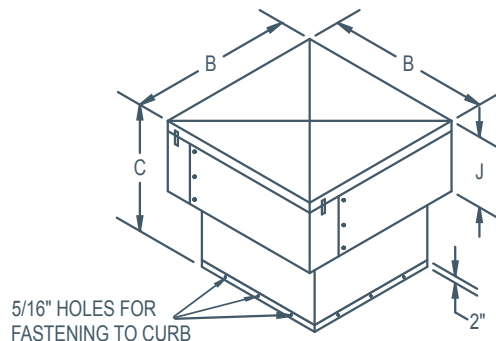
MODEL	MOTOR			AIRFLOW (CFM @ Static Pressure)															
	HP	Variable Speed	Max RPM	0"				1/2"				1"				1 1/4"			
				High	FEI	Low	FEI	High	FEI	Low	FEI	High	FEI	Low	FEI	High	FEI	Low	FEI
709DD050EC	1/2	Y*	1200	2000	-	900	-	1650	-	500	-	1250	-	500	-	500	-	450	-
709DD100EC	1	Y*	1200	2525	0.62	900	1.85	2275	0.87	500	1.68	1400	1.23	500	1.38	500	1.32	450	1.33
710DD050EC	1/2	Y*	1100	2300	-	1400	-	1400	-	500	-	750	-	500	-	500	-	400	-
710DD100EC	1	Y*	1100	2900	0.77	1400	1.69	2250	1.06	500	1.67	1600	1.27	500	1.37	800	1.27	400	1.25
712DD050EC	1/2	Y*	1000	3000	-	2000	-	2300	-	600	-	1425	-	600	-	1100	-	500	-
712DD100EC	1	Y*	1000	3800	0.81	2000	1.69	3250	1.05	600	1.47	2700	1.18	600	1.12	2000	1.26	600	1.07

\* Minimum motor speed 425 RPM (EC Models)

EC motors can be controlled using the built in potentiometer on motor or by using a 0 to 10 V controller, or by a remote potentiometer.

REVIEW FAN CURVES BEFORE ADJUSTING RPM TO ENSURE LOAD DOES NOT EXCEED MOTOR HP.

## DIMENSIONS



MODEL	A	B	C	D	E	F	G	H	J	FILTERS		*INSIDE CABINET	UNIT WEIGHT (LBS) (without motors & drives)
										SIZE	QUANTITY		
709DD	24 3/8"	32 3/8"	24 3/8"	10 1/4"	11 13/16"	6 9/32"	7 1/16"	7 1/16"	10 1/4"	10"x 20"	4	24"x 24"	84
710DD	28 3/8"	38 1/2"	28 1/4"	11 3/8"	13 1/8"	7 5/8"	8 1/2"	8 1/2"	12 1/4"	12"x 24"	4	28"x 28"	108
712DD	32 3/8"	42 5/8"	31 3/8"	13 7/16"	15 5/8"	8 3/8"	9 15/32"	9 15/32"	16 1/2"	16"x 25"	4	32"x 32"	150

\* Curb size to be smaller than inside cabinet to allow for flashing and roofing.

# G-DDE SERIES

Centrifugal, Forward Curved, Direct Drive  
with EC Motors DWDI Blowers



with  
**EC MOTORS**  
for energy savings



## FEATURES

- High efficiency motor.
- Corrosion resistant G90 galvanized housing.
- Universal base for 4 position discharge.
- Heavy duty, resilient mount, motor mounting bracket.
- EC Motor offers true variable speed operation and up to 70% energy savings over PSC motors.
- Counter clockwise is standard. Clockwise available on request.

## PERFORMANCE SPECIFICATIONS

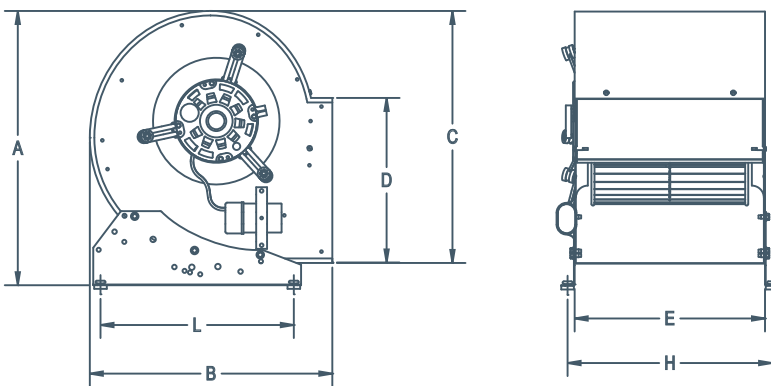
MODEL	MOTOR			AIRFLOW (CFM @ Static Pressure)														
	HP	Variable Speed	Max RPM	1/8"			1/2"			1"			1 1/4"			1 1/2"		
				RPM	CFM	FEI	RPM	CFM	FEI	RPM	CFM	FEI	RPM	CFM	FEI	RPM	CFM	FEI
G9-DDE	1/2	Y*	1200	800	1925	-	930	1900	-	1175	1300	-	1200	300	-	-	-	-
G9-DDE	1	Y*	1200	900	2500	0.87	1100	2300	1.01	1200	1750	1.23	1200	300	1.05	-	-	-
G10-DDE	1/2	Y*	1200	700	2200	-	850	1900	-	1050	1400	-	1200	1100	-	1200	200	-
G10-DDE	1	Y*	1200	875	2800	0.97	975	2600	1.12	1125	2500	1.18	1200	2100	1.34	1200	200	1.1
G12-10-DDE	1/2	Y*	1200	525	2700	-	610	2300	-	810	1700	-	925	1400	-	1050	1100	-
G12-10-DDE	1	Y*	1200	650	3500	1.01	710	3200	1.2	850	2800	1.31	920	2500	1.31	1000	2200	1.35

\* Minimum motor speed 425 RPM (EC Models)

EC motors can be controlled using the built in potentiometer on motor or by using a 0 to 10 V controller, or by a remote potentiometer.

REVIEW FAN CURVES BEFORE ADJUSTING RPM TO ENSURE LOAD DOES NOT EXCEED MOTOR HP.

## DIMENSIONS



MODEL - HP	A	B	C	D	E	H	L	WEIGHT (lbs) without motor
G9-DDE	16 15/16"	15 1/16"	15 9/16"	10 1/4"	11 13/16"	12 13/16"	11 3/4"	37
G10-DDE	19"	16 3/4"	17 3/8"	11 3/8"	13 1/8"	14 1/8"	13 3/8"	42
G12-10-DDE	22 1/8"	19 1/2"	20 5/8"	13 7/16"	13 1/8"	14 1/8"	16 1/8"	47
G12-10-DDE	22 1/8"	19 1/2"	20 5/8"	13 7/16"	13 1/8"	14 1/8"	16 1/8"	47

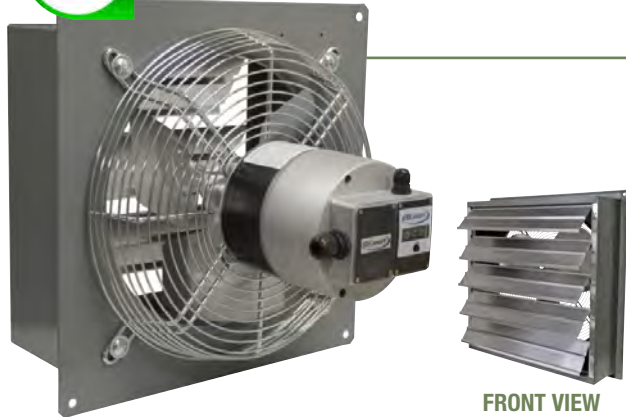
### UNIVERSAL BASE FOR 4 POSITION DISCHARGE



### HEAVY DUTY MOTOR MOUNTING BRACKET



**NEW**



FRONT VIEW

May not be as shown

# GREEN SERIES SD-EC

## Standard Wall Exhaust Fans

Canarm/LFI's standard fans follow a tradition of quality in design, materials and construction. All our standard fans are developed to be efficient and economically priced. Fans are now available with EC motors allowing you to **save up to 70% on energy costs.**

To determine the proper Canarm/LFI fan for your applications, use the following formula.

$$\text{Number of cubic feet in room} / \text{Number of minutes per air change} = \text{Required C.F.M. Capacity}$$

**EXAMPLE:** A general office, (see chart) which requires an air change every ten minutes, would require the following fan capacity.  
**If office is 100' x 40' x 10' = 40,000 cubic ft**  
**40,000 cubic ft / 10 minutes per air change = 4000 Required C.F.M.**

From the chart, you would select a fan that is rated at 4000 C.F.M. at 1/8" S.P. (Static Pressure)

### FEATURES

- Available in 8" to 36" sizes
- High efficiency totally enclosed EC motor
- Rugged steel welded box housing with durable powder coat finish
- Osha guard on intake side of fan
- Shipped completely assembled.
- 8" - 24" sizes: Now upgrades with tie bar shutters and magnets for quieter operation and superior seal

Application	Minutes per Air Change	Application	Minutes per Air Change	Application	Minutes per Air Change	Application	Minutes per Air Change
Assembly Hall	7	Church	15	Foundry	4	Pressing Room	1
Attic	2	Classroom	6	Garage	5	Projection Booth	2
Auditorium	10	Dance Hall	5	General Office	10	Summer Cooling	1
Barber Shop	6	Department Store	6	Gymnasium	8	Toilet	3
Basement	8	Dry Cleaning	5	Laundry	2	Transformer Room	1
Battery Room	4	Engine Room	6	Locker Room	3	Warehouse	12
Boiler Room	1	Factory	6	Machine Shop	8	Welding Shop	2
Bowling Alley	5	Forge Room	3	Plating Room	3		

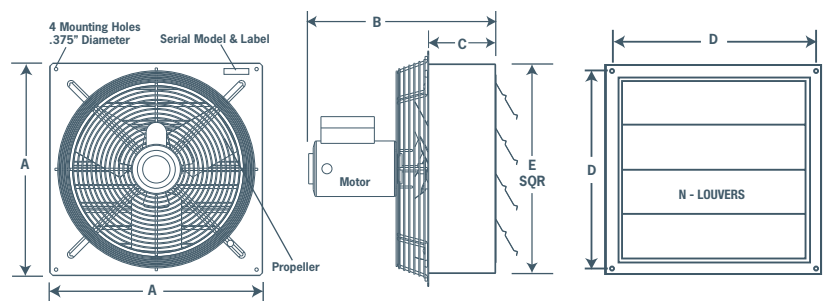
### PERFORMANCE SPECIFICATIONS

MODEL	SPEED	BLADE DIAMETER	RPM	HP	VOLTAGE	AMPS (FLA)	WEIGHT (LBS)	dB(A) @5 ft	CFM @ STATIC PRESSURE				FRAMING DIMENSIONS
									0.00"	0.10"	0.125"	0.25"	
SD8-ECV	Variable	8"	1800	1/4	115/208-280	2.8/1.7-1.3	12	48	360	270	230	0	11" X 11"
SD10-ECV	Variable	10"	1800	1/4	115/208-280	2.8/1.7-1.3	13	56	690	590	570	0	13" X 13"
SD12-EC	Variable	12"	1800	1/4	115/208-280	2.8/1.7-1.3	32	60	1650	1540	1510	1390	15" X 15"
SD14-EC	Variable	14"	1800	1/4	115/208-280	2.8/1.7-1.3	34	65	2180	2080	2060	1890	17" X 17"
SD16-EC	Variable	16"	1800	1/4	115/208-280	2.8/1.7-1.3	36	63	2370	2270	2210	2063	19" X 19"
SD18-EC	Variable	18"	1800	1/2	115/208-280	3.5/2.2-1.7	37	73	3200	3090	3040	2920	21" X 21"
SD20-EC	Variable	20"	1800	1/2	115/208-280	5.3/3.3-2.6	45	77	3440	3240	3180	2930	23" X 23"
SD24-EC	Variable	24"	1200	1/2	115/208-280	5.7/3.5-2.8	56	70	5050	4910	4810	4400	27" X 27"
SD30-EC	Variable	30"	1000	3/4	115/208-280	9.5/5.2-4.2	72	82	8000	7000	6000	5000	33" X 33"
SD36-EC	Variable	36"	1000	3/4	115/208-280	9.5/5.2-4.2	88	84	10000	8500	8000	6200	39" X 39"

**PLEASE NOTE:** The above is subject to change without notice as these are still in development.

### DIMENSIONS

FAN SIZE	A X A SQUARE	B	C	D (c/c)	E	N
8"	13 1/4"	13 1/2"	4"	12"	10 3/4"	2
10"	15 1/4"	13 1/2"	4"	14"	12 3/4"	2
12"	17 1/4"	16 1/2"	6"	16"	14 3/4"	3
14"	19 1/4"	16 1/2"	6"	18"	16 3/4"	3
16"	21 1/4"	16 1/2"	6"	20"	18 3/4"	4
18"	23 1/4"	16 1/2"	6"	22"	20 3/4"	4
20"	25 1/4"	17	6 3/4"	24"	22 3/4"	5
24"	29 1/4"	18"	6 3/4"	28"	26 3/4"	5
30"	35 1/4"	19"	6"	34"	32 3/4"	16
36"	41 1/4"	19"	6"	40"	38 3/4"	20



### ACCESSORIES

- Grey plastic weather hood
- Galvanized metal hood
- 0V to 10V Control

For a complete listing on all available accessories, see **Accessories for AX & P Series Fans.**

For a complete listing of all available hoods, see **Wall Exhaust Options & Accessories.**

For all available control options, see **Controls & Thermostats** tab.



# GREEN SERIES 2 SPEED SD-EC

Standard Wall Exhaust Fans



FRONT VIEW

Canarm/LFI's standard fans follow a tradition of quality in design, materials and construction. All our standard fans are developed to be efficient and economically priced. Fans are now available with EC motors allowing you to **save up to 70% on energy costs.**

To determine the number of minutes per air changes, use the following formula.

**Number of cubic feet in room / CFM of fan = Minutes per air change**

**EXAMPLE:** For a room 10' x 10' x 10' using a fan with a 360 CFM on high speed and a 300 CFM on low speed would have the following minutes per air change:

$$\text{High speed: } \frac{10 \times 10 \times 10}{360} = 2.7 \text{ min per air change}$$

$$\text{Low speed: } \frac{10 \times 10 \times 10}{300} = 3.3 \text{ min per air change}$$

## FEATURES

- Smooth, quiet, reliable, maintenance free operation.
- Durable steel construction with grey powder coat finish.
- 8" and 10" sizes.
- High efficiency EC motor
  - 2 speed with optional speed control CNSC08/10EC (sold separately)
  - Totally enclosed with sealed ball bearings
- Quiet, aluminum shutters with tie bar to maximize airflow and a magnet to prevent flapping and provide a superior seal.
- Zinc plated OSHA guard.
- Fans fully assembled.
- Easy to install. Mount fan using four screws.

## SUGGESTED MINUTES PER AIR CHANGE

Application	Minutes per Air Change	Application	Minutes per Air Change	Application	Minutes per Air Change	Application	Minutes per Air Change
Assembly Hall	7	Church	15	Foundry	4	Pressing Room	1
Attic	2	Classroom	6	Garage	5	Projection Booth	2
Auditorium	10	Dance Hall	5	General Office	10	Summer Cooling	1
Barber Shop	6	Department Store	6	Gymnasium	8	Toilet	3
Basement	8	Dry Cleaning	5	Laundry	2	Transformer Room	1
Battery Room	4	Engine Room	6	Locker Room	3	Warehouse	12
Boiler Room	1	Factory	6	Machine Shop	8	Welding Shop	2
Bowling Alley	5	Forge Room	3	Plating Room	3		

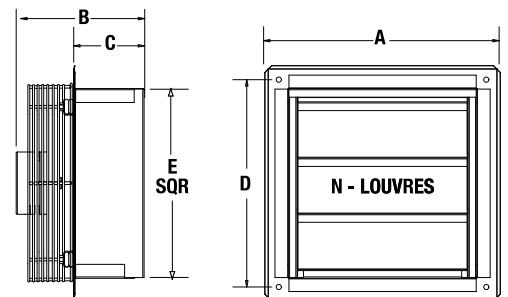
## PERFORMANCE SPECIFICATIONS

MODEL	BLADE DIAMETER	HP	SPEED	VOLTAGE	MAX AMPS	RPM	CFM	dB(A) @5 ft	WEIGHT (LBS)
SD08-EC	8"	32W	2 Speed	115	0.27	1800/1300	360/300	48	13
SD10-EC	10"	32W	2 Speed	115	0.27	1800/1300	690/580	55	15

**PLEASE NOTE:** The above is subject to change without notice as these are still in development.

## DIMENSIONS

MODEL	A x A SQUARE	B	C	D (c/c)	E SQR	N (# OF LOUVRES)	FRAMING
SD08-EC	13 x 13	8 7/8"	5 3/16"	11"	9 3/4"	2	10" x 10"
SD10-EC	15 x 15	8 7/8"	5 3/16"	13"	11 3/4"	3	12" x 12"



## ACCESSORIES

- Grey plastic weather hood
- Galvanized metal hood
- 2 speed switch
- Thermostat

For a complete listing on all available accessories, see page D16.  
For a complete listing of all available hoods, see page D11.  
For all available control options, see Controls & Thermostats tab.

# AX-EC - SHUTTER MOUNTED FANS

Designed for Industrial, Commercial & Farming applications.



May not be as shown

The AX-EC series exhaust fan is a sturdily constructed, direct drive, horizontal discharge fan that is typically used for general ventilation of factories, garages, warehouses and other industrial or commercial buildings.

Models are equipped with variable speed, high efficiency EC motors.

The AX-EC series housings are constructed of heavy duty aluminum with built in shutters that automatically open when the fan starts and gravity closes when the fan stops.

Up to 70% energy savings with EC Motors.

## FEATURES

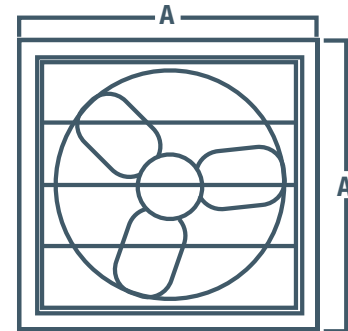
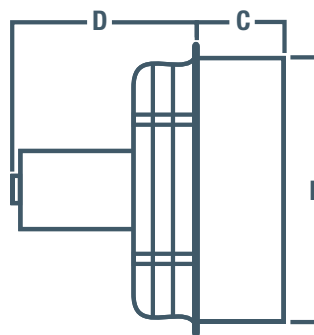
- Sturdily constructed from all-aluminum extrusions.
- 8" - 20" models have heavy wire chrome plated OSHA guards on intake side of fan.
- Variable speed, high efficiency EC Motor.
- Ships fully assembled.
- Fans can be shipped via UPS.

## SPECIFICATIONS

MODEL	SPEED	BLADE DIAMETER	RPM	HP	VOLTAGE	AMPS (FLA)	WEIGHT (LBS)	dB(A) @5 ft	CFM @ STATIC PRESSURE				FRAMING DIMENSIONS
									0.00"	0.10"	0.125"	0.25"	
AX08-ECV	Variable	8"	1800	1/4	115/208-280	2.8/1.7-1.3	12	48	360	270	230	0	12" X 12"
AX10-ECV	Variable	10"	1800	1/4	115/208-280	2.8/1.7-1.3	13	56	690/580	590/460	570/390	0	12" X 12"
AX12-EC	Variable	12"	1800	1/4	115/208-280	2.8/1.7-1.3	32	60	1650	1540	1510	1390	14" X 14"
AX14-EC	Variable	14"	1800	1/4	115/208-280	2.8/1.7-1.3	34	65	2180	2080	2060	1890	16" X 16"
AX16-EC	Variable	16"	1800	1/4	115/208-280	2.8/1.7-1.3	36	63	2370	2270	2210	2063	18" X 18"
AX18-EC	Variable	18"	1800	1/3	115/208-280	3.5/2.2-1.7	37	73	3200	3090	3040	2920	20" X 20"
AX20-EC	Variable	20"	1800	1/2	115/208-280	5.3/3.3-2.6	45	77	3440	3240	3180	2930	22" X 22"
AX24-EC	Variable	24"	1200	1/2	115/208-281	5.7/3.5-2.8	56	70	5500	5400	5310	5100	26" X 26"
AX30-EC	Variable	30"	1000	3/4	115/208-282	9.5/5.2-4.2	72	82	8000	7000	6000	5000	33" X 33"
AX36-EC	Variable	36"	1000	3/4	115/208-283	9.5/5.2-4.2	88	84	10000	8500	8000	6200	39" X 39"

## DIMENSIONS

MODEL	A	B	C	D
AX08-EC	14 3/4"	11 3/4"	5"	9.5"
AX10-EC	14 3/4"	11 3/4"	5"	9.5"
AX12-EC	16 3/4"	13 3/4"	5"	11"
AX14-EC	18 3/4"	15 3/4"	5"	11"
AX16-EC	20 3/4"	17 3/4"	5"	11"
AX18-EC	22 3/4"	19 3/4"	5"	12"
AX20-EC	24 3/4"	21 3/4"	5"	12"
AX24-EC	28 3/4"	25 3/4"	5"	12"
AX30-EC	35 1/4"	32 3/4"	5"	13"
AX36-EC	41 1/4"	38 3/4"	5"	11"



## ACCESSORIES

- 0V to 10V controls
- Thermostats
- Front guard
- Weather hoods

For a complete listing on all available accessories, see page D16.

For a complete listing of all available hoods, see page D11.

For all available control options, see Controls & Thermostats tab.

# P - PANEL MOUNTED FANS WITH EC MOTOR

Designed for Industrial, Commercial & Farming applications.



The P-EC series exhaust fan is a sturdily constructed, direct drive, horizontal discharge fan that is typically used for industrial, commercial and farming applications. The P-EC fans are available variable speed motors.

## FEATURES

- Sturdily constructed direct drive, horizontal discharge fan.
- Durable powder coated finish.
- 8" - 24" models have heavy wire chrome plated OSHA guards on intake side of fan. 30" & 36" models have grey powder coated guards.
- Totally enclosed air over motor with overload protection.
- Ships fully assembled.

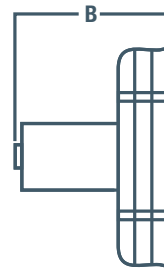
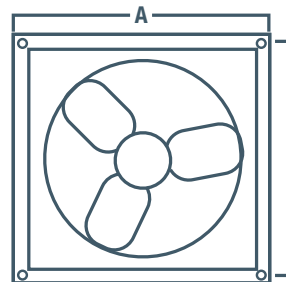


## PERFORMANCE SPECIFICATIONS

MODEL	SPEED	BLADE DIAMETER	RPM	HP	VOLTAGE	AMPS (FLA)	WEIGHT (LBS)	dB(A) @5 ft	CFM @ STATIC PRESSURE				FRAMING DIMENSIONS
									0.00"	0.10"	0.125"	0.25"	
P08-EC	Variable	8"	1800	1/4	115/208-280	2.8/1.7-1.3	12	48	360	270	230	0	11" X 11"
P10-EC	Variable	10"	1800	1/4	115/208-280	2.8/1.7-1.3	13	56	690	590	570	0	13" X 13"
P12-EC	Variable	12"	1800	1/4	115/208-280	2.8/1.7-1.3	32	60	1650	1540	1510	1390	15" X 15"
P14-EC	Variable	14"	1800	1/4	115/208-280	2.8/1.7-1.3	34	65	2180	2080	2060	1890	17" X 17"
P16-EC	Variable	16"	1800	1/4	115/208-280	2.8/1.7-1.3	36	63	2370	2270	2210	2063	19" X 19"
P18-EC	Variable	18"	1800	1/2	115/208-280	3.5/2.2-1.7	37	73	3200	3090	3040	2920	21" X 21"
P20-EC	Variable	20"	1800	1/2	115/208-280	5.3/3.3-2.6	45	77	3440	3240	3180	2930	23" X 23"
P24-EC	Variable	24"	1200	1/2	115/208-280	5.7/3.5-2.8	56	70	5050	4910	4810	4400	27" X 27"
P30-EC	Variable	30"	1000	3/4	115/208-280	9.5/5.2-4.2	72	82	8000	7000	6000	5000	33" X 33"
P36-EC	Variable	36"	1000	3/4	115/208-280	9.5/5.2-4.2	88	84	10000	8500	8000	6200	39" X 39"

## DIMENSIONS

MODEL	A X A SQUARE	B	C c/c
P08	13 3/8"	5 1/4"	12"
P10	15 3/8"	5 1/2"	14"
P12	17 1/4"	11"	16"
P14	19 1/4"	11"	18"
P16	21 1/4"	11"	20"
P18	23 1/4"	11 1/4"	22"
P20	25 1/4"	11 1/4"	24"
P24	29 1/4"	11"	28"
P30	35 1/4"	13 1/4"	34"
P36	41 1/4"	13 1/2"	40"



Back View

## ACCESSORIES Consult factory to have accessories installed.

- Front guards
- Wall sleeve
- Thermostats
- Backdraft dampers
- Weather hoods
- Controls

# DAMPERS & LOUVRES

**G1 BACKDRAFT DAMPERS**  
Model 3000, 3100, 3200



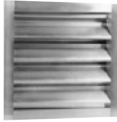
**G1 MOTORIZED BACKDRAFT DAMPERS**  
Model 3000M, 3100M, 3200M



**G2 FIXED LOUVRES**  
Model EAL-2, EAL-2F



**G2 FIXED LOUVRES**  
Model EAL-4, EAL-4F



**G3 FIXED LOUVRES**  
Model EAL-6, EAL-6F



**G3 OPERATING LOUVRES**  
Model EAL-4-0, EAL-4-0F



**G4 SCD SERIES**  
Steel Control Dampers, Standard Construction



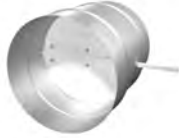
**G4 SCD-LL SERIES**  
Steel Control Dampers, Low Leakage Construction



**G5 SCD-LL-HD SERIES**  
Heavy Duty Control Dampers, Low Leakage Construction



**G6 SCD-RD SERIES**  
Steel Round Control Dampers, Standard Construction



**G6 SCD-RD-LL SERIES**  
Steel Round Control Dampers, Low Leakage Construction



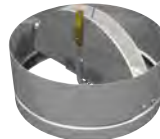
**G7 TYPE A**  
Fire Dampers, Vertical & Horizontal



**G7 TYPE B**  
Fire Dampers, Vertical & Horizontal



**G8 CD-RD SERIES**  
Round Ceiling Damper, Standard Construction



**G8 AD-AF SERIES**  
Aluminum Control Dampers



**G9 ADI-AFI SERIES**  
Aluminum Control Dampers





# BACKDRAFT DAMPERS

MODEL 3000, 3100, 3200

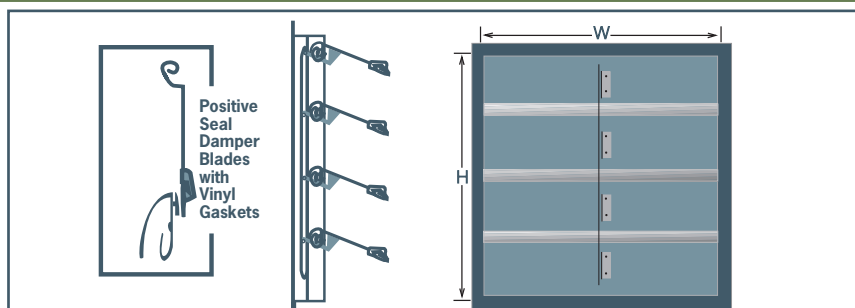


3100 Series Shown

**BLADE OPTION:**

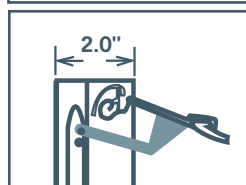
**SR:** 0.016" - 0.020" roll formed aluminum with vinyl gasket - used with fan motors under 1 HP

**SE:** 0.05" extruded aluminum with vinyl gasket - used with fan motors over 1 HP

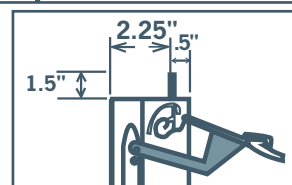


## FEATURES

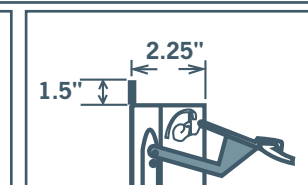
- Sturdily constructed from all aluminum extrusions.
- Roll form blades or extruded aluminum blades.
- Available in any combination of width and height.
- Less than 1% leakage.



**SERIES 3000**  
SIDE MOUNT - NO FLANGE



**SERIES 3100**  
INWARD MOUNT



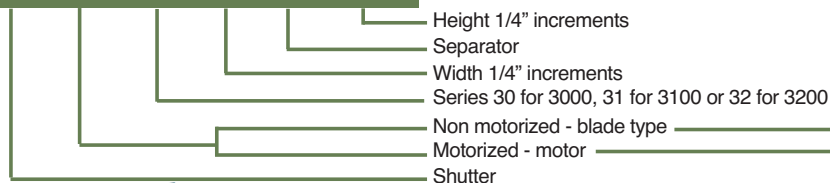
**SERIES 3200**  
OUTWARD MOUNT



3000 & 3100 Series are undercut by 1/4".  
3200 Series is cut exact.

## ORDERING METHOD FOR BACKDRAFT & MOTORIZED BACKDRAFT DAMPERS

S R 32 16 X 16



- R** - for Roll form (fans using under 1 HP motors)
  - E** - for Extruded (heavier blades for motors above 1 HP)
  - X** - for 115/230V
  - Z** - for 24V AC
- Extruded blades with multi products motor is standard*



3100 Series Shown

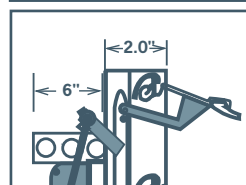
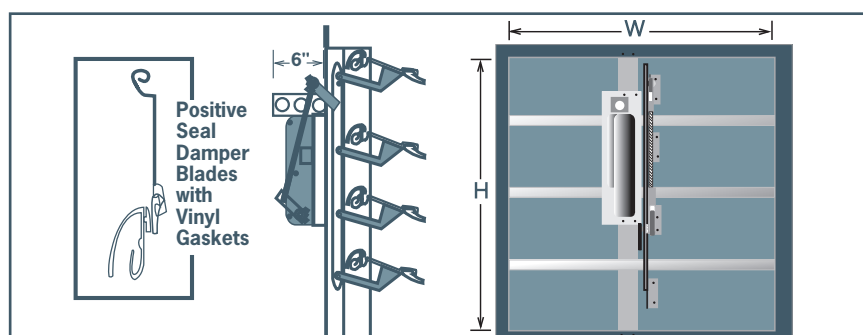
See page K5 in Controls & Thermostats section for Multi-Products replacement motors.



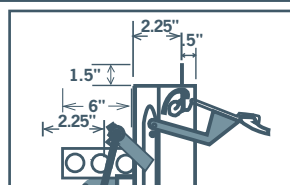
Non-standard shutters are non-returnable and cannot be cancelled.

# MOTORIZED BACKDRAFT DAMPERS

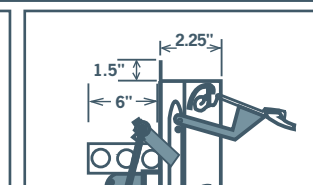
MODEL 3000M, 3100M, 3200M



**SERIES 3000M**  
SIDE MOUNT - NO FLANGE



**SERIES 3100M**  
INWARD MOUNT



**SERIES 3200M**  
OUTWARD MOUNT

## FEATURES

- Sturdily constructed from all aluminum extrusions
- Damper motor factory installed (24V, 115/230V - must specify at time of order)
- Maximum 8 sq. feet per motor
- Positive seal keeps leakage less than 1%
- Blades are 0.5" extruded aluminum with vinyl gasket
- Double panel available 30" and up
- Standard multi products motor



3000 & 3100 Series are undercut by 1/4".  
3200 Series is cut exact.

## ACCESSORIES

- Bird screen
- Special coatings
- Insect screen
- End switch



## FIXED LOUVRES MODEL - EL-2, EL-2F

Normally used as an exhaust louver where the total CFM is relatively low

Models EL-2 and EL-2F are 2" deep louvres with blades set at a 30° angle. Their slim design may be used in curtain wall, interior or exterior partitions and window walls. All louvres are furnished with 1/2" x 1/2" regalvanized wire birdscreen.



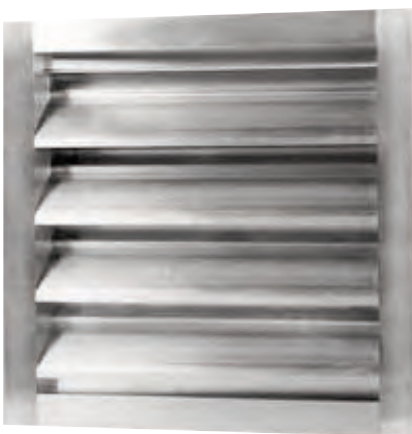
**Non-standard shutters are non-returnable and cannot be cancelled.**

### FEATURES

- **MATERIAL:** .081" (2.06 mm) thick, 6063-T5 alloy, extruded aluminum
- **BLADE DESIGN:** set at 30° spaced 2" (50 mm) on centres with storm proof performance
- **CONSTRUCTION:** blade assembly is designed to prevent bowing and distortions. All corners are mitered to provide a neat, uniform extrusion profile at the perimeter.
- **SCREENS:** 1/2" x 1/2" regalvanized, 19 gauge wire
- **FINISHES:** mill is standard finish, anodized or baked enamel available at additional cost.
- **SIZES:** per customer specification multiple sections may be required. Consult factory. Minimum size available: 12" x 8".

### ORDERING METHOD

- **No flange:** EL2-W x H eg) EL2-16x16
- **With flange:** EL2F-W x H eg) EL2F-16x16



## FIXED LOUVRES MODEL - EL-4, EL-4F

Design provides high free area and can exhaust a high volume of air with little static pressure.

Models EL-4 and EL-4F are 4" deep louvres with blades set at a 35° angle, ensuring positive drainage which prevents discoloration of building walls. All louvres are furnished with 1/2" x 1/2" regalvanized wire birdscreen.



**Non-standard shutters are non-returnable and cannot be cancelled.**

### FEATURES

- **MATERIAL:** .081" (2.06 mm) thick, 6063-T5 alloy, extruded aluminum
- **BLADE DESIGN:** set at 37° spaced 4" (100 mm) on centres with storm proof performance
- **CONSTRUCTION:** blade assembly is designed to prevent bowing and distortions. All corners are mitered to provide a neat, uniform extrusion profile at the perimeter.
- **SCREENS:** 1/2" x 1/2" regalvanized, 19 gauge wire
- **FINISHES:** mill is standard finish, anodized or baked enamel available at additional cost.
- **SIZES:** per customer specification multiple sections may be required. Consult factory. Minimum size available: 12" x 12".

### ORDERING METHOD

- **No flange:** EL4-W x H eg) EL4-24x24
- **With flange:** EL4F-W x H eg) EL4F-24x24





## FIXED LOUVRES MODEL - EL-6, EL-6F

Design provides protection from water penetration while retaining high free area.

Models EL-6 and EL-6F are 6" deep louvres with blades set at a 45° angle. Their slim design may be used in curtain wall, interior or exterior partitions and window walls. The design provides protection from water penetration while retaining high free area. All louvres are furnished with 1/2" x 1/2" regalvanized wire birdscreen.



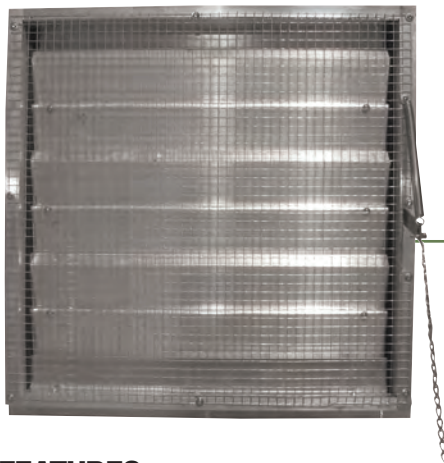
**Non-standard shutters are non-returnable and cannot be cancelled.**

### FEATURES

- **MATERIAL:** .085" (2.16 mm) thick, 6063-T5 alloy, extruded aluminum
- **BLADE DESIGN:** set at 45° spaced 7 1/4" (184.2 mm) on centres with storm proof performance
- **CONSTRUCTION:** blade assembly is designed to prevent bowing and distortions. All corners are mitered to provide a neat, uniform extrusion profile at the perimeter.
- **SCREENS:** 1/2" x 1/2" regalvanized wire
- **FINISHES:** mill is standard finish, anodized or baked enamel available at additional cost.
- **SIZES:** available in any combination of width or height (multiple sections may be required). Minimum size available: 16" x 16".

### ORDERING METHOD

- No flange: EL6-W x H eg) EL6-24x24
- With flange: EL6F-W x H eg) EL6F-24x24



## OPERATING LOUVRES MODEL - EL-4-O, EL-4-OF

Ideal for applications in which the available space does not allow for a fixed louver and a backdraft damper.

Models EL-4-O and EL4-OF are 4" deep operable louvres with storm proof blades which pivot on aluminum pins rotating in nylon flanged bearings. Manual or motor operators may be employed. Bird screen is 1/2" x 1/2" regalvanized wire and normally mounted on the face of the louvres.



**Non-standard shutters are non-returnable and cannot be cancelled.**

### FEATURES

- **MATERIAL:** .085" (2.16 mm) thick, 6063-T5 alloy, extruded aluminum
- **BLADE DESIGN:** adjustable to 6 1/8" (156 mm) on centres with storm proof performance, 45° spaced
- **CONSTRUCTION:** blade assembly is designed to prevent bowing and distortions. Complete with jam and blade seals.
- **SCREENS:** 1/2" x 1/2" (12.7 mm x 12.7 mm) regalvanized wire
- **FINISHES:** mill is standard finish, anodized or baked enamel available at additional cost.
- **SIZES:** available in any combination of width or height (multiple sections may be required). Minimum size available: 12" x 12".
- **STANDARD METHOD OF OPERATION:** Chain. Belimo actuators available. See page K5 in Controls & Thermostats section.

### ORDERING METHOD

- No flange: EL40-W x H eg) EL40-24x24
- With flange: EL40F-W x H eg) EL40F-24x24



## SCD - STEEL CONTROL DAMPERS STANDARD CONSTRUCTION

The SCD series control dampers have been designed and tested to provide a reliable cost effective control damper where tight sealing is NOT of primary importance (for tight sealing dampers, use model SCD-LL). Its design lets it to be used in either exhaust or intake applications.

The SCD series rigid frame and integrally braced corners provide true damper alignment that greatly resists being installed out of square or out of flat. Available in either parallel or opposed blade models. SCD dampers less than 48" wide x 12" high are furnished with a low profile flat top and bottom to maximize free area. Dampers may be made to accommodate higher than the recommended 2.5" w.g. static pressure. Contact factory if application involves pressures in excess of 2.5" w.g. or velocities greater than 1500 fpm. Factory installed operators are available. Consult factory for details.



**Non-standard shutters are non-returnable and cannot be cancelled.**

### FEATURES

- **FRAME:** roll-formed galvanized steel hat section with staked corners with integral bracing.
- **BLADE:** 16-18 gauge triple-vee profile roll-formed galvanized steel. Minimum width: 4.25". Maximum width: 7.25". Opposed blades are standard (for parallel, please specify).
- **BEARINGS:** bronze oilite, press fit into frame
- **AXLES:** square, plated steel
- **LINKAGES:** concealed in frame. Leakage bars are 12 gauge thick galvanized steel.
- **FINISH:** mill galvanized
- **EXTENDED SHAFT:** 0.5" diameter, plated steel
- **MAXIMUM TEMPERATURE:** 250°F
- **SIZES:** Minimum size: 5" W x 4" H; Maximum size: single section - 48" W x 72" H; Multiple section - unlimited size

See page K5 in Controls & Thermostats section for Belimo motor options.

### ORDERING METHOD

MODEL NOMENCLATURE EXAMPLE

DAMPER STYLES: SCD = SD; SCD-LL = SL

DAMPER STYLE	PLACEHOLDER FOR ACTUATOR (IF REQUIRED)
<b>SD</b>	<b>A</b>
<b>24.00</b>	<b>24.00</b>
WIDTH	HEIGHT
A=MOUNTED IN AIRSTREAM B=MOUNTED OUT OF AIRSTREAM	



## SCD-LL - STEEL CONTROL DAMPERS LOW LEAKAGE CONSTRUCTION

The SCD-LL series control dampers have been designed and tested to provide an extremely tight sealing damper which is cost effective for the majority of HVAC applications. They are generally recommended for face velocities up to 2000 fpm and static pressures to 2.5" w.g. (Note: for systems in excess of 2.5 w.g., contact the factory.)

The SCD-LL series dampers have inflatable pressure sensitive jamb and blade edge seals to provide the ultimate in sealing characteristics without unduly increasing torque requirements. Available in either parallel or opposed (standard) blade models.

SCD-LL dampers less than 48" wide x 12" high are furnished with a low profile flat top and bottom to maximize free area. SCD-LL dampers have a rigid frame and integrally braced corners that provide true damper alignment that greatly resists being installed out of square or out of flat. This ensures on site performance equal to test results. Factory installed operators are available. Consult factory for details.



**Non-standard shutters are non-returnable and cannot be cancelled.**

### FEATURES

- **FRAME:** roll-formed galvanized steel hat section with staked corners with integral bracing.
- **BLADE:** 16-18 gauge triple-vee profile roll-formed galvanized steel. Minimum width: 4.25". Maximum width: 7.25". Opposed blades are standard (for parallel, please specify).
- **BEARINGS:** bronze oilite. Press into frame.
- **SEALS:** pressure sensitive PVC blade edge & flexible metal jamb seals
- **LINKAGES:** concealed in frame. Leakage bars are .125" thick plated steel.
- **FINISH:** mill galvanized
- **EXTENDED SHAFT:** 0.5" diameter, plated steel
- **MAXIMUM TEMPERATURE:** 250°F
- **SIZES:** Minimum size: 5" W x 4" H; Maximum size: single section - 48" W x 72" H; Multiple section - unlimited size

### PERFORMANCE DATA

The SCD-LL dampers have been tested to AMCA Standard 500-D with the following results:

	AT 1.0" w.g.	AT 2.5" w.g.	AT 4.0" w.g.
LEAKAGE (cfm/SQ FT)	3.5	5.0	7.0



# SCD-LL-HD - HEAVY DUTY CONTROL DAMPERS LOW LEAKAGE CONSTRUCTION

The SCD-LL-HD series dampers have been designed and tested to provide rigid, robust and yet cost effective control dampers for special applications involving high pressure up to 9.0" w.g.

The SCD-LLHD dampers have a pressure sensitive jamb and the blade edge seals to provide the ultimate in sealing characteristics without unduly increasing torque requirements.

The SCD-LL-HD series damper's rigid frame and integrally braced corners provide true damper alignment that greatly resists being installed out of square or out of flat. This ensures on site performance equal to test results. Factory installed electric motors are available. Consult factory for details.



**Non-standard shutters are non-returnable and cannot be cancelled.**

## FEATURES

- **FRAME:** roll-formed galvanized steel hat section with staked corners with integral bracing & roll-formed galvanized steel C channel insert welded to provide equivalent of 12 gauge steel.
- **BLADE:** 16 gauge roll-formed galvanized steel & 18 gauge roll-formed galvanized steel continuous rigidizing section to provide equivalent of 10 gauge steel.
- **BLADE STYLE:** Opposed blades are standard; parallel blade on request
- **BEARINGS:** bronze oilite, press fit into frame
- **AXLES:** square, plated steel PVC
- **SEALS:** pressure sensitive, dual durometer blade edge seals and flexible metal jamb seals

- **LINKAGES:** concealed in frame. Leakage bars are 12 gauge thick galvanized steel
- **FINISH:** mill galvanized
- **EXTENDED SHAFT:** 0.5" diameter, plated steel
- **MAXIMUM TEMPERATURE:** 250°F
- **SIZES:** **Minimum size:** 8" W x 8" H (203 mm x 203 mm); **Maximum size:** single section - 60" W x 72" H (1524 mm x 1829 mm); **Multiple section** - unlimited size.

See page K5 in Controls & Thermostats section for Belimo motor options.

## PERFORMANCE DATA

The SCD-LL-HD dampers have been tested to **AMCA Standard 500-D** with the following results:

	AT 1.0" w.g.	AT 4.0" w.g.	AT 8.0" w.g.	AT 8.0" w.g.
<b>LEAKAGE (cfm/SQ FT)</b>	3.5	7.0	9.8	11.2

## OPTIONAL CONSTRUCTION

- **BEARINGS:** nylon, press fit into frame
- Silicone blade edge seals

## ORDERING METHOD

MODEL NOMENCLATURE EXAMPLE  
DAMPER STYLES: SCD-LL-HD = SL-HD

DAMPER STYLE

**SL-HD**

WIDTH

**24.00**

PLACEHOLDER FOR ACTUATOR (IF REQUIRED)

**x24.000A**

HEIGHT

A=MOUNTED IN AIRSTREAM  
B=MOUNTED OUT OF AIRSTREAM



**NOTE:** dampers are furnished approximately 1/4" smaller than given duct dimensions. Not recommended with blades running vertically. All dampers 32" and over are supplied with Jack shafting.

# SCD-RD - STEEL ROUND CONTROL DAMPERS STANDARD CONSTRUCTION



The SCD-RD series control dampers have been designed and tested to provide a reliable cost effective control damper where tight sealing is NOT of primary importance. (Note: tight sealing dampers, see model # SCD-RD-LL-88).

**Note** Dampers are furnished approximately 1/8" smaller than given duct dimensions.

Factory installed electric operators are available when dampers are ordered with motor standard off bracket. Consult factory for details.

**Note** Non-standard dampers are non-returnable and cannot be cancelled.

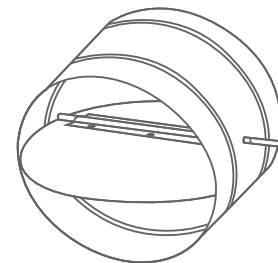
## FEATURES

- **FRAME:** galvanized steel, rolled reinforcement.

DIAMETER	GAUGE
5" - 9"	22 ga.
10" - 24"	20 ga.

- **BLADE:** galvanized steel with welded channel reinforcement.
- **BEARINGS:** bronze oilite
- **AXLES:** 3/8" square plated steel

- **FINISH:** mill galvanized
- **EXTENDED SHAFT:** Removable. 1/2" diameter, plated steel
- **MAXIMUM TEMPERATURE:** 200°F
- **DAMPER SIZES:** 5" to 24" diameter



## ORDERING METHOD

- Use diameter required. SCD-RD-diameter eg) SCD-RD-10

# SCD-RD-LL - STEEL ROUND CONTROL DAMPERS LOW LEAKAGE CONSTRUCTION



**Note** Dampers are furnished approximately 1/8" smaller than given duct dimensions.

The SCD-RD-LL series control dampers have been designed and tested to provide an extremely tight sealing damper which is cost effective for the majority of HVAC applications.

The SCD-RD-LL series dampers have pressure sensitive blade edge seals to provide the ultimate in sealing characteristics without unduly increasing torque requirements. Factory installed electric operators are available when dampers are ordered with motor stand off bracket. Consult factory for details.

**Note** Non-standard dampers are non-returnable and cannot be cancelled.

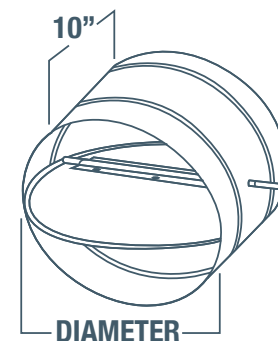
## FEATURES

- **FRAME:** galvanized steel, rolled reinforcement.

DIAMETER	GAUGE
5" - 9"	22 ga.
10" - 24"	20 ga.

- **SEALS:** dual durometer pressure sensitive blade edge and jamb seals
- **BLADE:** galvanized steel with welded channel reinforcement.
- **BEARINGS:** bronze oilite

- **AXLES:** 3/8" square plated steel
- **FINISH:** mill galvanized
- **EXTENDED SHAFT:** Removable. 1/2" diameter, plated steel
- **MAXIMUM TEMPERATURE:** 200°F
- **DAMPER SIZES:** 5" to 24" diameter



## ORDERING METHOD

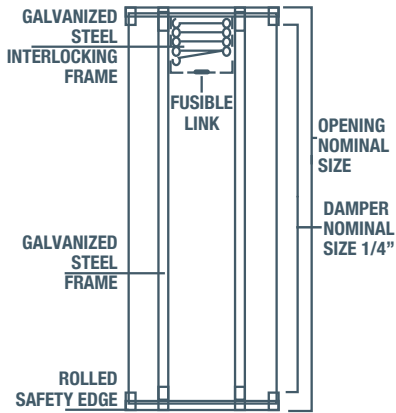
- Use diameter required. SCD-RD-LL-diameter eg) SCD-RD-LL-10

## PERFORMANCE DATA

The SCD-RD-LL dampers have been tested to AMCA Standard 500-D with the following results:

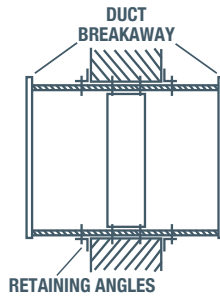
	AT 1.0" w.g.	AT 2.5" w.g.	AT 4.0" w.g.
LEAKAGE (cfm/SQ FT)	1.0	1.5	4.0

**TYPICAL VERTICAL DAMPER**

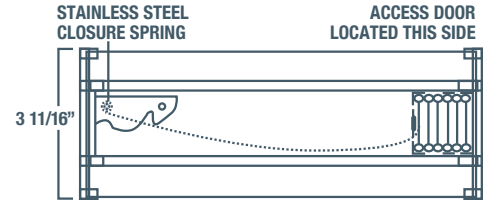


**TYPE A - FIRE DAMPERS VERTICAL & HORIZONTAL**

**SUGGESTED INSTALLATION**



**TYPICAL HORIZONTAL DAMPER**



**FEATURES**

- Narrow 2 3/16" or 1 1/2" frame
- Electro thermal links - 165°F standard
- Other fusible links 135°F, 212°F, 286°F
- Adjustable blade stack for combination fire/balancing damper
- Solenoid release

- Micro-switches for fan shut off and/or status control
- Stainless steel construction
- 1 1/2 hour rating standard - 3 hour optional vertical only
- Maximum size: 36" x 36"; Minimum size: 6" x 6"



**Type A & Type B Fire Dampers are non-standard dampers and are not-returnable and cannot be cancelled.**

**SPECIAL NOTE**



When the damper or damper assembly exceeds either 48" in width or 60" in height, the retaining angles should not be less than 1 1/2" x 1 1/2" x 1/8" thick and should be attached to the sleeve using 20 1/4" x 3/4" round head stove bolts at 8" on C. 1" long welds or No. 14 x 3/4" sheet metal screws at the same spacing.

**TYPE B - FIRE DAMPERS VERTICAL & HORIZONTAL**

**FEATURES**

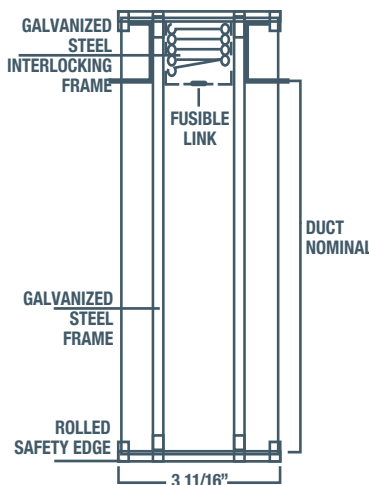
- Narrow 2 3/16" or 1 1/2" frame
- Electro thermal links - 165°F standard
- Other fusible links 135°F, 212°F, 286°F
- Adjustable blade stack for combination fire/balancing damper
- Solenoid release
- Micro-switches for fan shut off and/or status control
- Stainless steel construction
- 1 1/2 hour rating standard - 3 hour optional vertical only
- Maximum size: 36" x 36"; Minimum size: 6" x 4"

**SPECIAL NOTE**

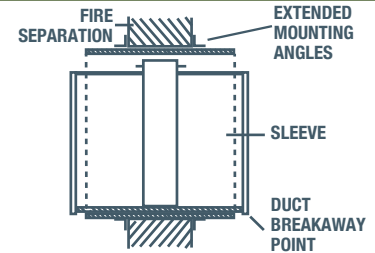


When the damper or damper assembly exceeds either 48" in width or 60" in height, the retaining angles should not be less than 1 1/2" x 1 1/2" x 1/8" thick and should be attached to the sleeve using 20 1/4" x 3/4" round head stove bolts at 8" on C. 1" long welds or No. 14 x 3/4" sheet metal screws at the same spacing.

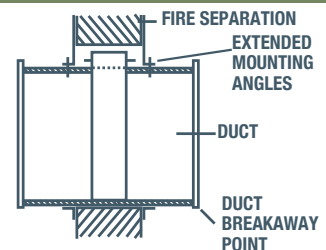
**TYPICAL VERTICAL DAMPER**



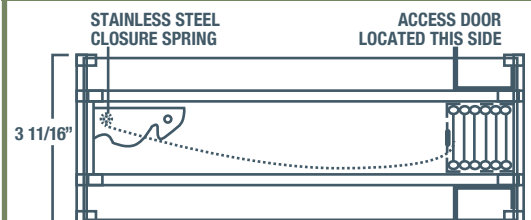
**SUGGESTED INSTALLATION**



**ALTERNATE INSTALLATION**

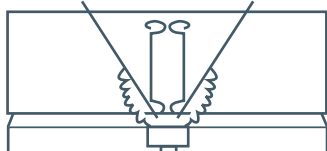
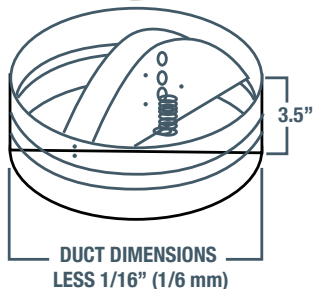


**TYPICAL HORIZONTAL DAMPER**

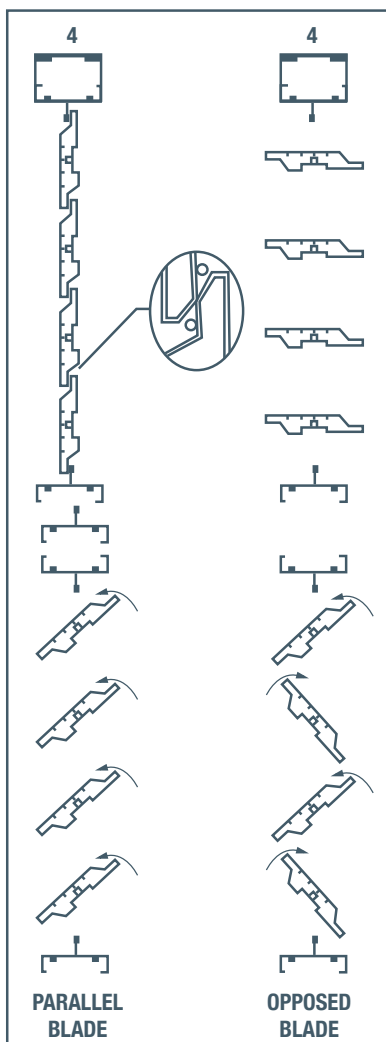


**Type A & Type B Fire Dampers are non-standard dampers and are not-returnable and cannot be cancelled.**

# CD-RD - ROUND CEILING DAMPER STANDARD CONSTRUCTION



CD-RD-A-85  
WITH ADJUSTABLE VOLUME CONTROLLER



## MODELS

- CD-RD-85 - Round, butterfly-type (non asbestos)
- CD-RD-A-85 - Round, butterfly-type (non asbestos) with adjustable volume control

## FEATURES

- **FRAME:** 24 gauge galvanized steel
- **BLADES:** 22 gauge galvanized steel.
- **THERMAL BLANKET:** non-asbestos ceramic blanket
- **SPRING:** corrosion resistant steel spring
- **FUSIBLE LINK:** replaceable 212°F standard. Other ratings available.
- **FINISH:** mill
- **SIZES:** Minimum size: 5"; Maximum size: 15"  
(For sizes 16" to 20" CFSR-2 will be supplied.)
- **UL/UCL LISTINGS:** 3 - 4 hours

## ORDERING METHOD

- Use diameter required: CD-RD-diameter eg) CD-RD-8



Non-standard dampers are non-returnable and cannot be cancelled.

# AD - AF ALUMINUM CONTROL DAMPERS

## FEATURES

- **DEPTH BLADES CLOSED:** 4" (101 mm)
- **DEPTH BLADES OPEN:** 6 1/8" (156 mm)
- **MATERIAL:** extruded 6063-T5 aluminum
- **FRAME THICKNESS:** 0.081" (2.06 mm)
- **BLADE STYLE:** OB - opposed blade standard; PB - parallel blade on request
- **BLADE THICKNESS:** 0.081" (2.06 mm)
- **BEARINGS:** moulded synthetic (Acetal)
- **SEALS:** co-extruded santoprene vinyl blade seal and vinyl jamb seal
- **AXLES:** 3/8" aluminum square bar
- **FRAME STYLE:** specify DM for Duct Mount or FM for Flange Mount
- **MINIMUM HEIGHT:** 8" (203 mm) single blade; 15" (381 mm) multiple blade
- **MAXIMUM PANEL WIDTH:** 60" (1524 mm)
- **MAXIMUM PANEL HEIGHT:** 60" (1524 mm)
- **MAXIMUM SYSTEM PRESSURE:** 5" w.g. for 60" blades
- **LEAKAGE:** does not exceed 7 CFM/ft<sup>2</sup> (341/s/m<sup>2</sup>) against 4" w.g. (1 kPa) differential static pressure at -40°F (-40°C)
- **LINKAGE:** concealed in frame
- **STANDARD FINISH:** mill
- **STANDARD MOTOR INSTALLATION:** side shaft direct drive, extendable up to 12"

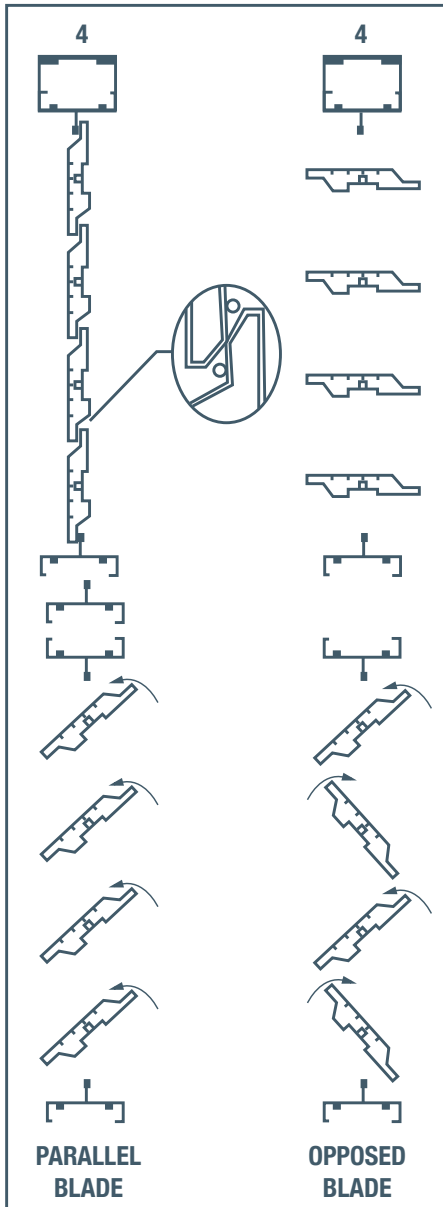
## ORDERING METHOD

- **DUCT MOUNT:** AD-WxH
- **FLANGE MOUNT:** AF-WxH



Non-standard dampers are non-returnable and cannot be cancelled.

# ADI - AFI ALUMINUM CONTROL DAMPERS



## FEATURES

- **DEPTH BLADES CLOSED:** 4" (101 mm)
- **DEPTH BLADES OPEN:** 6 1/8" (156 mm)
- **MATERIAL:** extruded 6063-T5 aluminum
- **FRAME THICKNESS:** 0.081" (2.06 mm)
- **BLADE STYLE:** **OB** - opposed blade standard; **PB** - parallel blade on request
- **BLADE THICKNESS:** 0.081" (2.06 mm)
- **BEARINGS:** dual bearing system, consists of Engineered thermoplastic bearings (Acetal)
- **SEALS:** co-extruded santoprene vinyl blade seal and vinyl jamb seal
- **AXLES:** 3/8" aluminum square bar
- **FRAME STYLE:** specify **DM** for Duct Mount or **FM** for Flange Mount
- **FRAME INSULATION:** polystyrene insulation
- **BLADE INSULATION:** 60" blades are thermally broken high density polyurethane non-CFC foam (R-2.25)
- **MINIMUM HEIGHT:** 8" (203 mm) single blade; 15" (381 mm) multiple blade
- **MAXIMUM PANEL WIDTH:** 60" (1524 mm)
- **MAXIMUM PANEL HEIGHT:** 60" (1524 mm)
- **MAXIMUM PANEL SIZE:** 20 square feet
- **MAXIMUM SYSTEM PRESSURE:** 4" w.g.
- **LEAKAGE:** does not exceed 7 CFM/ft<sup>2</sup> (341/s/m<sup>2</sup>) against 4" w.g. (1 kPa) differential static pressure at -40°F (-40°C)
- **LINKAGE:** concealed in frame
- **STANDARD FINISH:** mill
- **STANDARD MOTOR INSTALLATION:** side shaft direct drive, extendable up to 12"
- **OPERATING TEMPERATURE RANGE:** -40° to +200°F

## ORDERING METHOD

- **DUCT MOUNT:** ID-WxH
- **FLANGE MOUNT:** IF-WxH



Non-standard dampers are non-returnable and cannot be cancelled.





# EQUIPMENT BLOWERS (OEM)

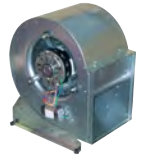
**H1 ACF-EC SERIES**  
Axial Cooling Fans



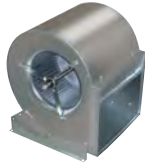
**H3 ACF-AC SERIES**  
Axial Cooling Fans



**H5 G-DD SERIES**  
Centrifugal, FC,  
Direct Drive  
DWDI Blowers



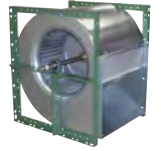
**H6 G SERIES**  
Double Inlet Belt  
Drive Blowers



**H7 800 SERIES**  
Double Width, Double  
Inlet Blowers - with  
Frame



**H8 900 SERIES**  
Double Width, Double  
Inlet, Framed Heavy  
Duty Blowers - with  
Pillow Block Bearings



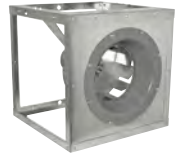
**H9 900-BI SERIES**  
Double Width, Double  
Inlet Backward Inclined  
Blowers



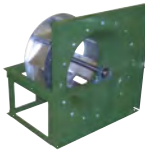
**H10 400 SERIES**  
Forward Curved Belt  
Drive Utility Blower



**H11 PMD SERIES**  
Backward Inclined  
Direct Drive Plenum  
Fan



**H12 DPL/AF SERIES**  
Flat Blade & Air Foil  
Blade Plenum Fans



**H13 DPL-DL SERIES**  
Direct Drive Curved  
Aluminum Plenum Fan



**H14 DPL-DC SERIES**  
Direct Drive Curved  
Steel Plenum Fan



**H15 DPL-DP SERIES**  
Direct Drive Curved  
Airfoil Plenum Fan





# ACF-EC SERIES AXIAL COOLING FANS

Energy efficient cooling fans designed to be used to help dissipate heat from condensers, heat pumps or refrigeration equipment.



PLATE MOUNTED



GUARD MOUNTED



DUCT MOUNTED

Canarm's ACF series fans are available in 8" to 36" size with airflow ratings from 750 to 16,000 CFM.

ACF series fans feature high performance external rotor motors, are IP54 rated and have Class F insulation. There are four configurations and many voltages to meet all applications.



## FEATURES

- Energy efficient
- IP54 construction for dust & moisture resistance
- Corrosion resistant epoxy paint finish
- OSHA guard
- Sealed bearings
- Variable speed
- Available with and without panels
- Sizes available 8" to 36"
- EC Motor, AC Optional
- Rated Voltage: 1-120V, 1-230V, 3-230V, 3-460V, 3-575V
- Rated frequency: 50/60Hz
- Min. permitted ambient temperature: -30°C (-22°F)
- Max. permitted ambient temperature: +30°C (+86°F)
- Electrical connecting: Integrated controller
- Number of blades: 5
- Protection class: IP54
- Motor protection: Integrated active temperature management
- Blade: High rated sheet steel or aluminum alloy, powder coated in black.
- Rotor: Steel, 2 coat paint.

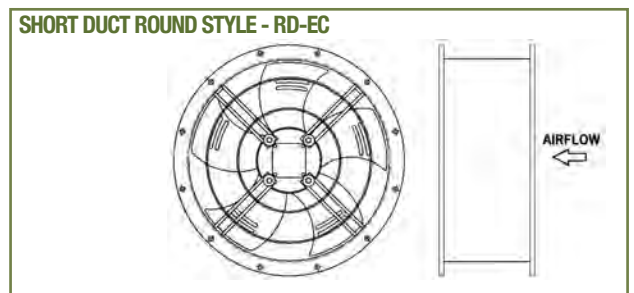
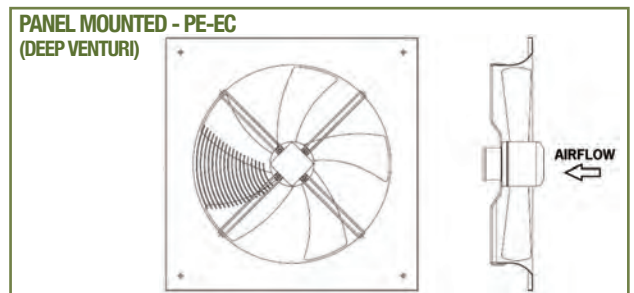
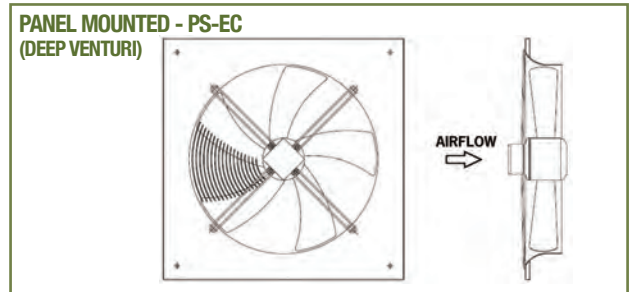
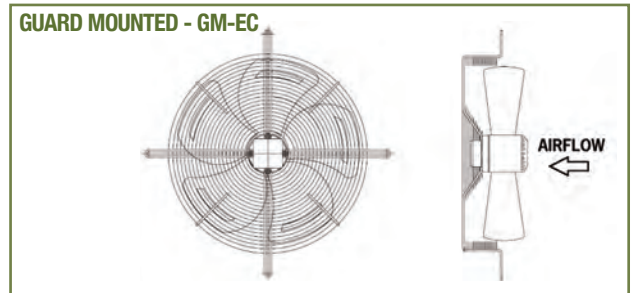
## TECHNICAL FEATURES

- Mode of operation: Continuous operation (S1)
- Control input 0-10VDC/PWM
- Output 10VDC+5%, max. 10mA
- PFC (active), integrated PID controller
- Tach output
- Alarm relay
- Phase failure detection
- EMC: Conform to EN61000-6-3/2, EN6100-3-2/3

## PERFORMANCE SPECIFICATIONS

MODEL	DIAMETER	VOLTAGE	PHASE	INPUT POWER	APPROX HP	RPM	AIR FLOW CFM
ECF08-EC	8"	120V, 220V	1	60W	1/12	3000	554
ECF10-EC	10"	120V, 220V	1	135W	1/5	3100	995
ECF12-EC	12"	120V, 220V	1	80W	1/12	1700	1287
ECF14-EC	14"	120V, 220V	1	165W	1/4	1730	1989
ECF16-EC	16"	120V, 220V	1	380W	1/2	1700	3101
ECF18-EC	18"	120V, 220V	6	420W	3/4	1700	3803
ECF20-EC	20"	120V, 220V, 230V, 460V, 575V	1 or 3	850W	1/2	1400	5265
ECF22-EC	22"	120V, 220V, 230V, 460V, 575V	1 or 2	950W	1/2	1650	6730
ECF24-EC	24"	120V, 220V, 230V, 460V, 575V	1 or 3	850W	1/2	1150	7020
ECF25-EC	25"	120V, 220V, 230V, 460V, 575V	1 or 3	850W	1/2	1150	7781
ECF28-EC	28"	120V, 220V, 230V, 460V, 575V	1 or 3	700W	1	1200	8775
ECF28-EC	28"	230V, 460V, 575V	3	1150W	2	1200	10998
ECF32-EC	32"	230V, 460V, 575V	3	1160W	3	970	14040
ECF36-EC	36"	230V, 460V, 575V	3	1700W	3	950	18135

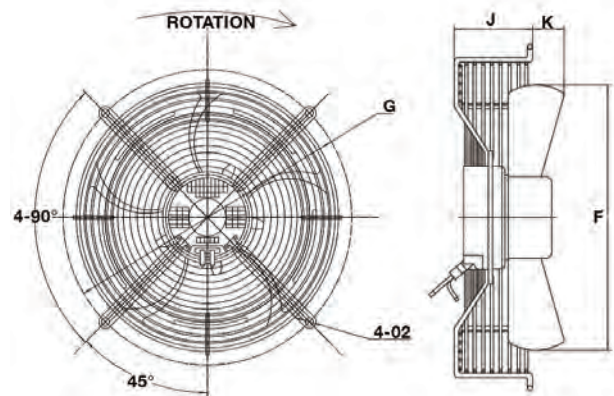
## PRODUCT OPTIONS



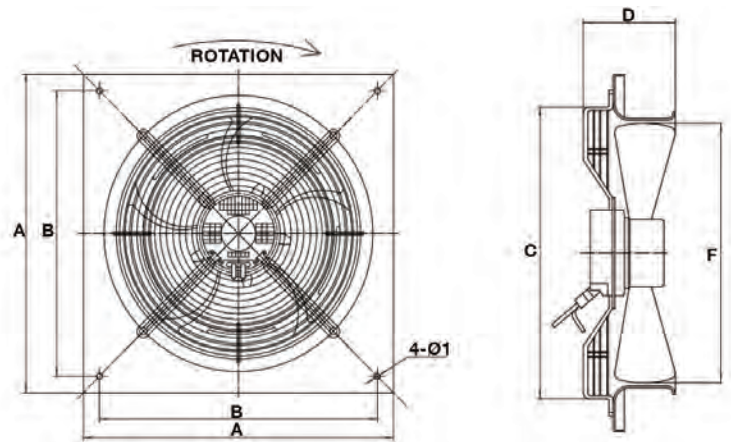
**DIMENSIONS** All dimension data is subject to change with no notice.

**ACF-GM-EC GUARD MOUNT**

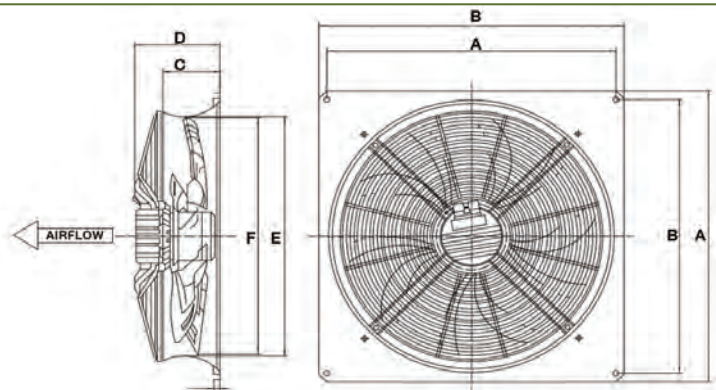
MODEL #	BLADE DIAMETER (F)	G	J	K
ACF08GM-EC	8"	10.24"	1.56"	0.64"
ACF10GM-EC	10"	11.42"	1.5"	1.33"
ACF12GM-EC	12"	14.2"	2.36"	1.46"
ACF14GM-EC	14"	16.61"	3.54"	1.57"
ACF16GM-EC	16"	18.5"	3.15"	1.78"
ACF18GM-EC	18"	20.55"	3.15"	2.14"
ACF20GM-EC	20"	22.43"	7.17"	4.65"
ACF22GM-EC	22"	24.8"	7.17"	5.04"
ACF24GM-EC	24"	26.4"	7.17"	5.82"
ACF25GM-EC	25"	29.7"	7.17"	5.82"
ACF28GM-EC	28"	32.87"	9.4"	8.2"
ACF32GM-EC	32"	36.42"	10.83"	8.4"
ACF36GM-EC	36"	40.35"	11.06"	8.61"


**ACF-PS-EC PANEL MOUNT**

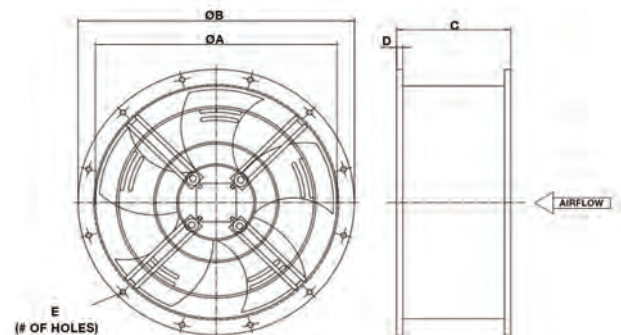
MODEL #	BLADE DIAMETER (F)	A	B	C	D
ACF08PS-EC	8"	12.2"	10.24"	9.57"	3.94"
ACF10PS-EC	10"	14.57"	12.6"	11.53"	3.94"
ACF12PS-EC	12"	16.93"	14.96"	13.46"	3.94"
ACF14PS-EC	14"	19.09"	17.13"	15.47"	4.98"
ACF16PS-EC	16"	21.26"	19.29"	17.13"	5.87"
ACF18PS-EC	18"	22.63"	20.47"	19.57"	6"
ACF20PS-EC	20"	26.18"	24.02"	21.38"	7.31"
ACF22PS-EC	22"	28.54"	26.38"	23.34"	7.31"
ACF24PS-EC	24"	30.12"	27.95"	25.31"	8.49"
ACF25PS-EC	25"	31.69"	29.53"	26.5"	8.49"
ACF28PS-EC	28"	33.46"	31.89"	29.65"	9.41"
ACF32PS-EC	32"	38.19"	35.83"	33.19"	10.83"
ACF36PS-EC	36"	42.13"	39.76"	37.13"	11.06"


**ACF-PE-EC PANEL MOUNT EXHAUST**

MODEL #	BLADE DIAMETER (F)	A	B	C	D	E
ACF20PE-EC	20"	26.2"	24"	4.3"	7.2"	20.39"
ACF22PE-EC	22"	28.54"	26.38"	4.3"	7.2"	22.39"
ACF24PE-EC	24"	30.12"	27.95"	5.5"	8.5"	24.39"
ACF25PE-EC	25"	31.69"	29.53"	5.5"	8.5"	25.39"
ACF28PE-EC	28"	33.46"	31.89"	5.5"	8.7"	28.6"
ACF32PE-EC	32"	38.19"	35.83"	6.3"	10.83"	32.6"
ACF36PE-EC	36"	42.13"	39.76"	6.7"	11.1"	36.6"


**ACF-RD-EC SHORT ROUND DUCT**

MODEL #	BLADE DIAMETER (A)	B	C	D	E
ACF08RD-EC	8"	10.28"	7.09"	0.31"	8
ACF10RD-EC	10"	12.28"	7.09"	0.31"	8
ACF12RD-EC	12"	14.21"	7.09"	0.31"	8
ACF14RD-EC	14"	16.57"	7.09"	0.31"	8
ACF16RD-EC	16"	18.11"	7.48"	0.35"	12
ACF18RD-EC	18"	20.28"	7.48"	0.35"	12
ACF20RD-EC	20"	22.32"	9.84"	0.35"	12
ACF22RD-EC	22"	25"	9.84"	0.35"	16
ACF24RD-EC	24"	27.76"	9.84"	0.35"	16

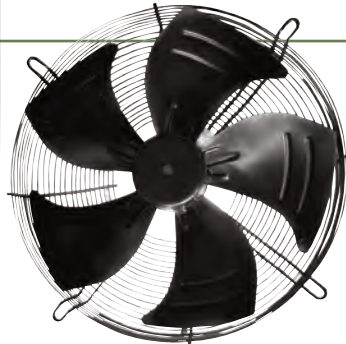


# ACF-AC SERIES AXIAL COOLING FANS

Energy efficient cooling fans designed to be used to help dissipate heat from condensers, heat pumps or refrigeration equipment.



PLATE MOUNTED



GUARD MOUNTED



DUCT MOUNTED

Canarm's ACF series fans are available in 8" to 36" size with airflow ratings from 750 to 16,000 CFM.

ACF series fans feature high performance external rotor motors, are IP54 rated and have Class F insulation. There are four configurations and many voltages to meet all applications.



## FEATURES

- Energy efficient
- IP54 construction for dust & moisture resistance
- Corrosion resistant epoxy paint finish
- OSHA guard
- Sealed bearings
- Variable speed
- Available with and without panels
- Sizes available 8" to 36"
- AC Motor, EC Optional
- Rated Voltage: 1-120V, 1-230V, 3-230V, 3-460V, 3-575V
- Rated frequency: 50/60Hz
- Min. permitted ambient temperature: -30°C (-22°F)
- Max. permitted ambient temperature: +30°C (+86°F)
- Electrical connecting: Integrated controller
- Number of blades: 5
- Protection class: IP54
- Motor protection: Integrated active temperature management
- Blade: High rated sheet steel or aluminum alloy, powder coated in black.
- Rotor: Steel, 2 coat paint.

## TECHNICAL FEATURES

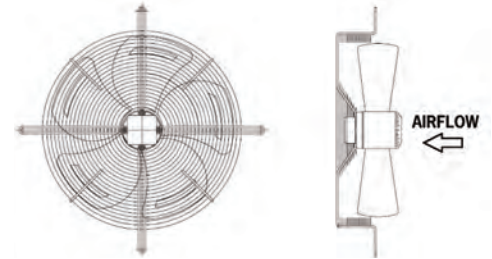
- Mode of operation: Continuous operation (S1)
- PFC (active), integrated PID controller
- Tach output
- Alarm relay
- Phase failure detection
- EMC: Confirm to EN61000-6-3/2, EN6100-3-2/3

## PERFORMANCE SPECIFICATIONS

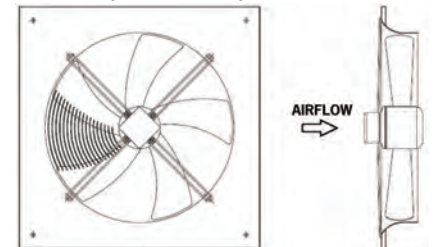
MODEL	DIAMETER	VOLTAGE	PHASE	INPUT POWER	APPROX HP	RPM	AIR FLOW CFM	NOISE dBA
ACF08-AC	8"	120V, 230V, 460V, 575V	1 or 3	75W	1/12	3000	550	51
ACF10-AC	10"	120V, 230V, 460V, 575V	1 or 3	120W	1/5	3100	850	60
ACF12-AC	12"	120V, 230V, 460V, 575V	1 or 3	220W	1/12	1700	1400	62
ACF14-AC	14"	120V, 230V, 460V, 575V	1 or 3	190W	1/4	1730	1700	64
ACF16-AC	16"	120V, 230V, 460V, 575V	1 or 3	250W	1/2	1700	2750	67
ACF18-AC	18"	120V, 230V, 460V, 575V	1 or 3	380W	3/4	1700	3500	70
ACF20-AC	20"	120V, 230V, 460V, 575V	1 or 3	510W	1/2	1400	4700	72
ACF22-AC	22"	120V, 230V, 460V, 575V	1 or 3	630W	1/2	1650	5500	73
ACF24-AC	24"	120V, 230V, 460V, 575V	1 or 3	790W	1/2	1150	6500	74
ACF25-AC	25"	120V, 230V, 460V, 575V	1 or 3	1850W	1/2	1150	9,000	79
ACF28-AC	28"	460V, 575V	1 or 3	900W	1	1200	10300	73
ACF32-AC	32"	460V, 575V	1 or 3	1200W	3	970	12,300	75
ACF36-AC	36"	460V, 575V	1 or 3	1900W	3	950	13,500	78

## PRODUCT OPTIONS

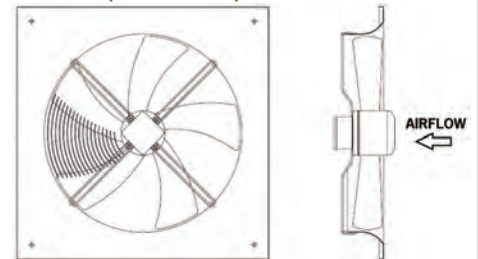
### GUARD MOUNTED - GM-AC



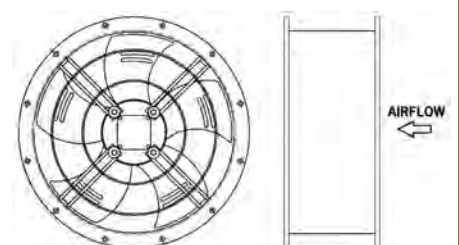
### PANEL MOUNTED - PS-AC (DEEP VENTURI)



### PANEL MOUNTED - PE-AC (DEEP VENTURI)



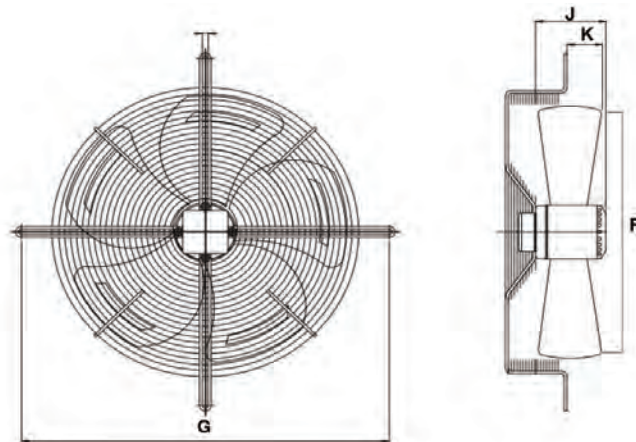
### SHORT DUCT ROUND STYLE - RD-AC



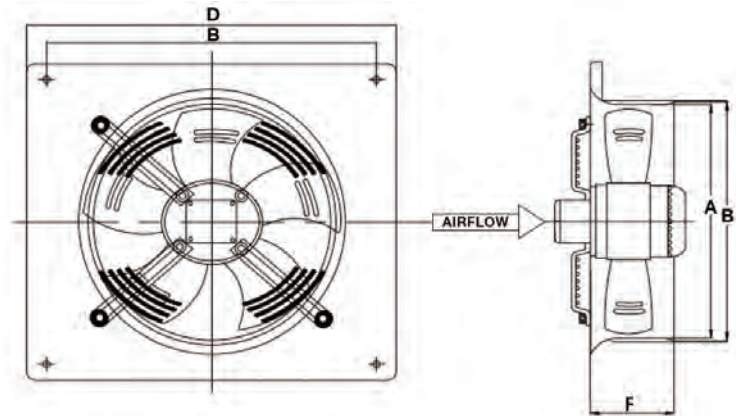
**DIMENSIONS** All dimension data is subject to change with no notice.

**ACF-GM-AC GUARD MOUNT**

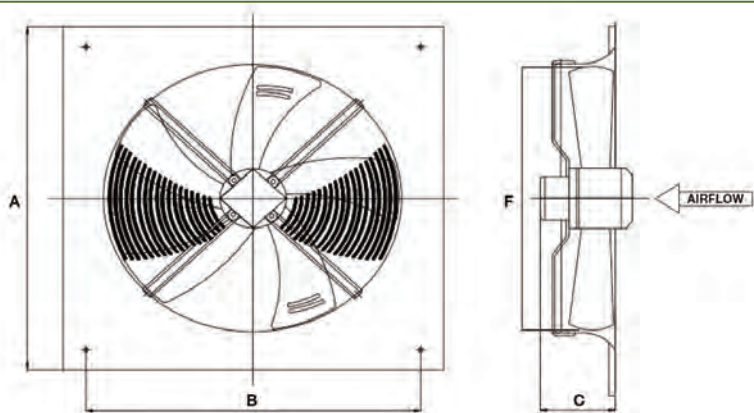
MODEL #	BLADE DIAMETER (F)	G	J	K
ACF08GM-AC	8"	10.24"	2.6"	0.98"
ACF10GM-AC	10"	12.6"	3.35"	0.98"
ACF12GM-AC	12"	14.17"	3.35"	1.38"
ACF14GM-AC	14"	16.61"	4.29"	2.28"
ACF16GM-AC	16"	18.5"	4.76"	2.4"
ACF18GM-AC	18"	20.55"	5.31"	2.72"
ACF20GM-AC	20"	22.44"	5.35"	2.72"
ACF22GM-AC	22"	24.49"	5.91"	2.91"
ACF24GM-AC	24"	26.38"	6.5"	3.94"
ACF25GM-AC	25"	29.13"	6.5"	3.94"
ACF28GM-AC	28"	30.71"	7.52"	2.8"
ACF32GM-AC	32"	34.25"	7.52"	2.8"
ACF36GM-AC	36"	38.19"	7.52"	2.8"


**ACF-PS-AC PANEL MOUNT**

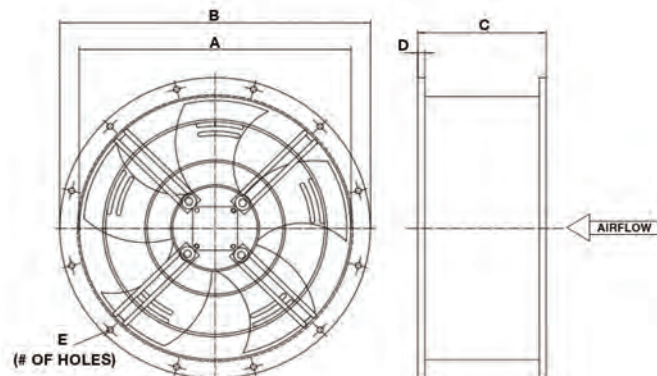
MODEL #	BLADE DIAMETER (F)	A	B	D
ACF08PS-AC	8"	12.28"	10.24"	2.05"
ACF10PS-AC	10"	14.57"	12.6"	3.54"
ACF12PS-AC	12"	16.93"	14.96"	3.54"
ACF14PS-AC	14"	19.09"	17.13"	3.54"
ACF16PS-AC	16"	21.26"	19.29"	4.33"
ACF18PS-AC	18"	22.64"	21.06"	4.33"
ACF20PS-AC	20"	25.79"	24.21"	4.53"
ACF22PS-AC	22"	28.54"	26.38"	4.53"
ACF24PS-AC	24"	30.51"	28.35"	4.92"
ACF25PS-AC	25"	31.69"	29.53"	4.92"
ACF28PS-AC	28"	33.46"	31.89"	5.12"
ACF32PS-AC	32"	38.19"	35.83"	8.07"
ACF36PS-AC	36"	42.13"	39.76"	8.07"


**ACF-PE-AC PANEL MOUNT EXHAUST**

MODEL #	BLADE DIAMETER (F)	A	B	C
ACF08PS-AC	8"	12.28"	10.24"	73"
ACF10PS-AC	10"	14.57"	12.6"	78"
ACF12PS-AC	12"	16.93"	14.96"	90"
ACF14PS-AC	14"	19.09"	17.13"	90"
ACF16PS-AC	16"	21.26"	19.29"	110"
ACF18PS-AC	18"	22.64"	21.06"	110"
ACF20PS-AC	20"	25.79"	24.21"	115"
ACF22PS-AC	22"	28.54"	26.38"	115"
ACF24PS-AC	24"	30.51"	28.35"	125"
ACF25PS-AC	25"	31.69"	29.53"	125"
ACF28PS-AC	28"	33.46"	31.89"	135"
ACF32PS-AC	32"	38.19"	35.83"	205"
ACF36PS-AC	36"	42.13"	39.76"	205"

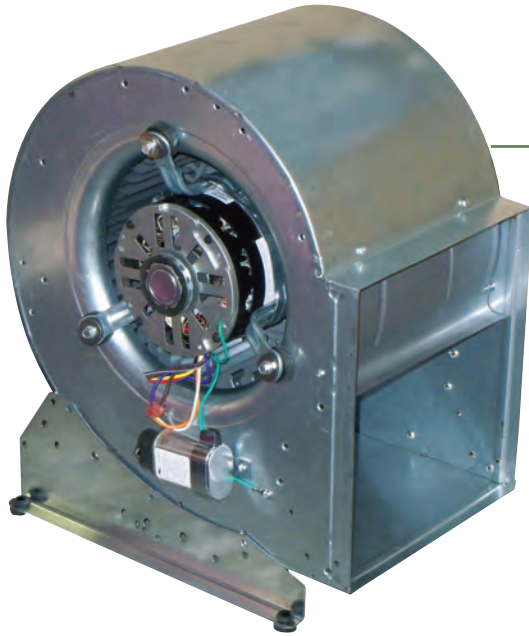

**ACF-RD-AC SHORT ROUND DUCT**

MODEL #	BLADE DIAMETER (A)	B	C	D	E
ACF08RD-AC	8"	9.84"	7.09"	0.31"	8
ACF10RD-AC	10"	12.05"	7.09"	0.31"	8
ACF12RD-AC	12"	15.04"	7.48"	0.31"	8
ACF14RD-AC	14"	16.57"	7.48"	0.31"	8
ACF16RD-AC	16"	18.11"	7.48"	0.35"	12
ACF18RD-AC	18"	20.28"	7.48"	0.35"	12
ACF20RD-AC	20"	22.32"	9.84"	0.35"	12
ACF22RD-AC	22"	25"	9.84"	0.35"	16
ACF24RD-AC	24"	26.18"	9.84"	0.35"	16
ACF25RD-AC	25"	27.76"	9.84"	0.35"	16



# G-DD SERIES

## Centrifugal, Forward Curved, Direct Drive DWDI Blowers



ALSO AVAILABLE IN GREEN SERIES.  
SEE PRICE BOOK FOR DETAILS.

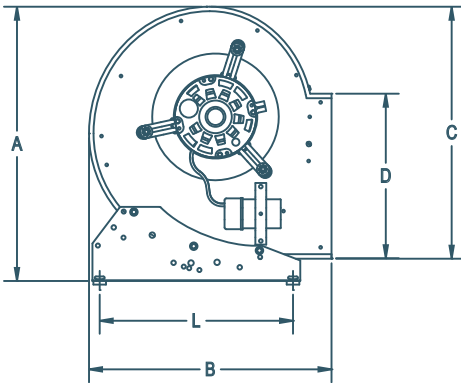
### PERFORMANCE SPECIFICATIONS

STATIC PRESSURE - IN W.G.									
MODEL - HP	0.5	0.6	0.7	0.8	0.9	1.0	1.2	1.4	1.6
CFM @ Medium Speed (see curves for High & Low speed performance)									
G9-7-DD-1/3	--	--	1148	1041	841	--	--	--	--
G9-7-DD-1/2	1363	1270	1170	1045	865	--	--	--	--
G9-DD-1/3	--	--	1213	1025	742	--	--	--	--
G9-DD-1/2	--	1444	1316	1172	979	--	--	--	--
G10-8-DD-1/2	--	--	--	--	1372	1238	--	--	--
G10-8DD-3/4	--	--	--	--	--	1535	800	--	--
G10-DD-1/2	--	--	--	1514	1335	1115	--	--	--
G10-DD-3/4	--	--	1665	1581	1486	1379	1000	--	--
G12-9-DD-3/4	--	--	--	--	--	--	1358	1174	870
G12-10-DD-3/4	--	--	--	--	--	--	1393	1102	--

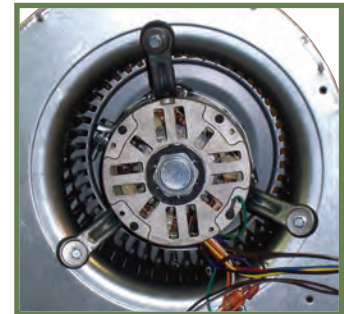
### FEATURES

- 3 speed, 115V, PSC motor.
- Corrosion resistant G90 galvanized housing.
- Universal base for 4 position discharge.
- Heavy duty, resilient mount, motor mounting bracket.

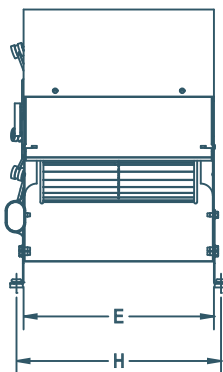
### DIMENSIONS



UNIVERSAL BASE FOR 4 POSITION DISCHARGE



HEAVY DUTY MOTOR MOUNTING BRACKET



MODEL - HP	A	B	C	D	E	H	L	UNIT WEIGHT (LBS) (without motor & drives)
G9-7-DD-1/3	16 15/16"	15 1/16"	15 9/16"	10 1/4"	9 3/16"	10 3/16"	11 3/4"	33
G9-7-DD-1/2								36
G9-DD-1/3								37
G9-DD-1/2	16 15/16"	15 1/16"	15 9/16"	10 1/4"	11 13/16"	12 13/16"	11 3/4"	39
G10-8-DD-1/2								40
G10-8DD-3/4	19"	16 3/4"	17 3/8"	11 3/8"	10 1/2"	11 1/2"	13 3/8"	41
G10-DD-1/2								42
G10-DD-3/4	19"	16 3/4"	17 3/8"	11 3/8"	13 1/8"	14 1/8"	13 3/8"	45
G12-9-DD-3/4	22 1/8"	19 1/2"	20 5/8"	13 7/16"	12 1/4"	13 1/4"	16 1/8"	46
G12-10-DD-3/4	22 1/8"	19 1/2"	20 5/8"	13 7/16"	13 1/8"	14 1/8"	16 1/8"	47

# G SERIES

## Double Inlet Belt Drive Blowers



### PERFORMANCE SPECIFICATIONS

MODEL	TYPICAL MAXIMUM CFM @ SP									
	1/2" SP		1" SP		1 1/2" SP		2" SP		2 1/2" SP	
	CFM	FEI	CFM	FEI	CFM	FEI	CFM	FEI	CFM	FEI
G7-5	1600	0.49	1500	0.56	1400	0.62	1400	0.66	1300	0.74
G7	2200	0.65	2100	0.73	2000	0.80	1900	0.85	1800	0.90
G9-7	2700	0.78	2600	0.88	2500	0.97	2400	1.05	2200	1.11
G9	3200	0.78	3000	0.91	2800	1.00	2600	1.04	2300	1.07
G10-8	3200	0.81	3100	0.93	2900	1.02	2700	1.10	2400	1.13
G10	3700	0.85	3500	0.97	3300	1.07	3000	1.13	2700	1.18
G12-9	4300	0.98	3900	1.10	3600	1.16	3200	1.20	2900	1.25
G12	4600	0.90	4300	1.05	3800	1.16	3400	1.20	2900	1.19
G15-10	4900	0.93	4600	1.11	4200	1.24	3700	1.30	3100	1.23
G15	6900	0.95	6400	1.07	5800	1.16	5200	1.24	4600	1.24
G18-13	8800	0.82	8300	0.92	7900	1.06	7400	1.13	6800	1.17
G18	8700	1.06	7700	1.17	6900	1.27	5800	1.26	3600	0.94

FOR FAN CURVES & FULL PERFORMANCE DATA, CONSULT OUR DELAIR SOFTWARE.  
DOWNLOAD DELAIR @ [WWW.CANARM.COM/DELAIR](http://WWW.CANARM.COM/DELAIR)

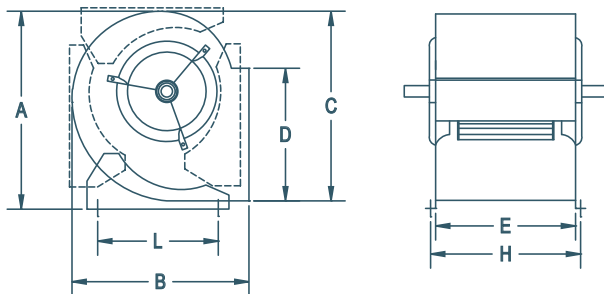
### FEATURES

- Sleeve or ball bearing models available.
- Base feet can be mounted for various discharge positions.
- Motor mounting hardware included with each blower.
- Corrosion resistant G90 galvanized steel blower housing.
- Capacity range 200 to 8000 CFM.
- The blower wheel has an exclusive centre disc which allows blowers to be used safely at speeds well above any normal requirement.
- Blower housings have extruded holes to give greater holding power for mounting base sides and motor bracket.
- Matte finish zinc coated wheel and cut-off baffle.
- Shaft dimensions and finish are carefully controlled to ensure quiet, trouble free operation.
- Available with permanently lubricated sleeve bearings suitable for operation in ambient temperatures of +30 to +120 deg. F and under 1000 RPM OR ball bearings with a sealed lifetime supply of lubricant for operation in ambient temperatures of -65 to +250 deg. F (optional).
- Shafts for ball bearing models have keywayed ends. Sleeve bearing model shafts have flats.

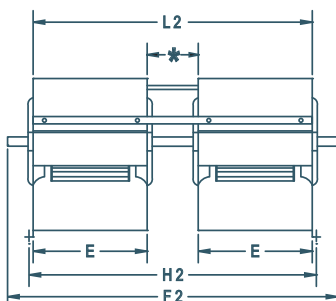


View FEI charts  
[canarm.com/fei-g](http://canarm.com/fei-g)

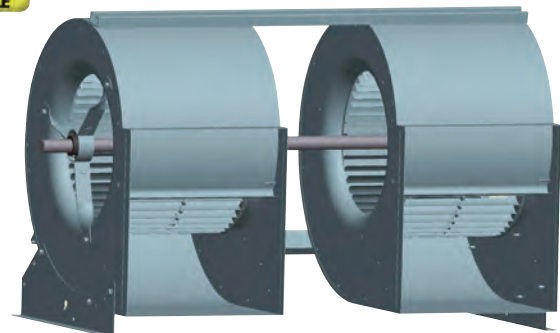
### DIMENSIONS



"G" Series Twin Units - \* Spacing will determine "L2" and "F2" dimensions.



Call for pricing & availability.

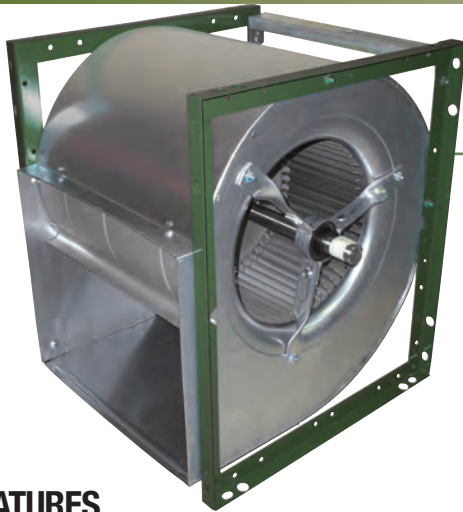


MODEL	A	B	C	D	E	H	L	SHAFT DIAMETER	WHEEL DIAMETER	WHEEL WIDTH	UNIT WEIGHT (LBS) (without motor & drives)
G7-5	14 5/16"	12 5/16"	12 11/16"	8 1/4"	6 7/8"	7 7/8"	9 5/8"	3/4"	8 1/16"	4 15/16"	13
G7	14 5/16"	12 5/16"	12 11/16"	8 1/4"	9 3/16"	10 3/16"	9 5/8"	3/4"	8 1/16"	7 3/16"	15
G9-7	16 15/16"	15 1/16"	15 9/16"	10 1/4"	9 3/16"	10 3/16"	11 3/4"	3/4"	10 1/4"	7 3/16"	19
G9	16 15/16"	15 1/16"	15 9/16"	10 1/4"	11 13/16"	12 13/16"	11 3/4"	3/4"	10 1/4"	9 9/16"	21
G10-8	19"	16 3/4"	17 3/8"	11 3/8"	10 1/2"	11 1/2"	13 3/8"	3/4"	11 1/8"	8 1/16"	23
G10	19"	16 3/4"	17 3/8"	11 3/8"	13 1/8"	14 1/8"	13 3/8"	3/4"	11 9/16"	10 13/16"	25
G12-9	22 1/8"	19 1/2"	20 5/8"	13 7/16"	12 1/4"	13 1/4"	16 1/8"	3/4"	12 7/8"	9 9/16"	29
G12	22 1/8"	19 1/2"	20 5/8"	13 7/16"	15 5/8"	16 5/8"	16 1/8"	3/4" or 1"	12 7/8"	12 13/16"	34
G15-10	25 3/4"	22 11/16"	24 1/4"	15 7/8"	14 11/16"	15 11/16"	19 1/2"	1"	15 1/2"	10 13/16"	48
G15	25 3/4"	22 11/16"	24 1/4"	15 7/8"	18 5/8"	19 5/8"	19 1/2"	1"	15 1/2"	15 1/16"	56
G18-13	30 1/2"	27"	29"	18 7/8"	17 3/8"	18 3/8"	24"	1"	18 1/2"	15 1/16"	67
G18	30 1/2"	27"	29"	18 7/8"	21 7/8"	22 7/8"	24"	1"	18 1/2"	18 1/2"	87



# 800 SERIES

Double Width, Double Inlet Blowers - with Frame



## PERFORMANCE SPECIFICATIONS

MODEL	MAXIMUM CFM @ SP									
	1/2" SP		1" SP		1 1/2" SP		2" SP		2 1/2" SP	
	CFM	FEI	CFM	FEI	CFM	FEI	CFM	FEI	CFM	FEI
809	3700	0.71	3600	0.8	3400	0.9	3200	0.97	3000	1
810	4500	0.75	4200	0.78	3900	0.82	3600	0.86	3300	0.92
812	5400	1.53	5100	0.93	4800	1.04	4400	1.11	4000	1.14
815	6900	0.95	6400	1.07	5800	1.16	5200	1.24	4600	1.24
818	10700	0.94	9800	1.03	9000	1.11	8300	1.19	7500	1.24

FOR FAN CURVES & FULL PERFORMANCE DATA, CONSULT OUR DELAIR SOFTWARE.  
[WWW.CANARM.COM/DELAIR](http://WWW.CANARM.COM/DELAIR)

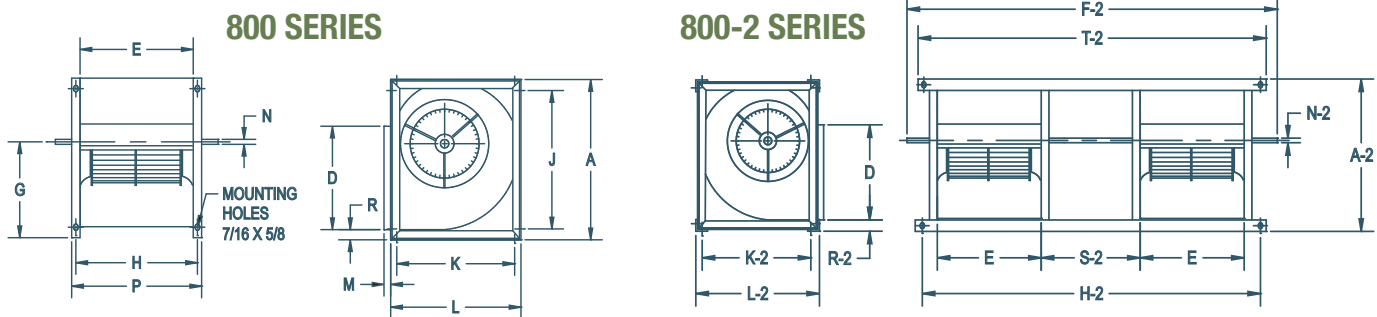
## FEATURES

- Features frame with spider bearing bracket mounts.
- Available sizes: 9", 10", 12", 15" and 18" wheel diameters.
- Keywayed shaft both ends.
- Universal Frame allows for choice of discharge position.
- Motor mounting hardware supplied.
- Ball bearings are permanently lubricated.
- Corrosion resistant galvanized blower housing.
- Available as single or twin assemblies.
- Matte finish zinc coated steel Delhi 'G' series full width wheel and cut-off baffle.
- Frame has green baked enamel finish.
- Insert ball bearings with resilient rings.
- Bearing brackets are attached with thread cutting screws driven into extruded housing holes (809) or attached with a bolt and locknut (810 through 818).
- Motor mounting bracket is attached to the blower frames on models 809 through 815 and is rated at 3 HP.
- Motor mounting bracket/motor plate assembly for 818 and 818-2 models is rated at 5 HP.
- Motor mounting and adjusting hardware is packed with each unit.
- Two adjusting leg sets are furnished with 815 and 818 models, one only with all others.
- Units individually cartoned or skidded for shipment.



Call for pricing & availability.

## DIMENSIONS



### 800 SERIES

MODEL	A	D	E	G	H	J	K	L	M	N	P	R	WHEEL DIAMETER	WHEEL WIDTH	UNIT WEIGHT (LBS) (without motor & drives)
809	17 1/4"	10 1/4"	11 13/16"	10 1/8"	12 15/16"	14 1/2"	11 3/4"	14 1/2"	3/4"	3/4"	13 15/16"	1 1/2"	10 1/4"	9 9/16"	28
810	19 1/8"	11 3/8"	13 1/8"	11 1/4"	14 1/4"	16 1/2"	13 3/8"	16 1/4"	3/4"	3/4"	15 1/4"	1 1/2"	11 9/16"	10 13/16"	32
812	22 1/4"	13 7/16"	15 5/8"	13"	16 3/4"	19 5/8"	16 1/4"	19"	3/4"	1"	17 3/4"	1 1/2"	12 7/8"	12 13/16"	43
815	26"	15 7/8"	18 5/8"	15 1/4"	19 3/4"	23 3/8"	19 3/8"	22 1/8"	3/4"	1"	20 3/4"	1 1/2"	15 1/2"	15 1/16"	67
818	30 3/4"	18 7/8"	21 7/8"	17 3/4"	23 1/2"	29"	24 1/2"	26 1/2"	3/4"	1"	25"	1 1/2"	18 1/2"	18 1/2"	125

### 800-2 SERIES

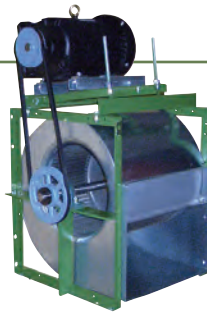
MODEL	A-2	SHAFT LENGTH F-2	5/8 DIA. MOUNTING HOLES H-2	5/8 DIA. MOUNTING HOLES K-2	L-2	N-2	R-2	S-2	T-2	TWINNING ANGLE	WEIGHT (LBS) (without motor & drives)
809-2	17 5/8"	39 1/2"	36 5/8"	13 3/8"	14 7/8"	3/4"	1 11/16"	9"	38 3/8"	1 1/2 x 1 1/2 x 1/8	95
810-2	19 1/2"	44"	40 1/4"	15 1/8"	16 5/8"	3/4"	1 11/16"	10"	42"	1 1/2 x 1 1/2 x 1/8	112
812-2	22 5/8"	51 1/2"	47 1/4"	17 7/8"	19 3/8"	1"	1 11/16"	12"	49"	1 1/2 x 1 1/2 x 1/8	130
815-2	26 3/8"	61 3/8"	56 1/4"	21"	22 1/2"	1"	1 11/16"	15"	58"	1 1/2 x 1 1/2 x 1/8	195
818-2	31 1/8"	72"	66 3/4"	25 1/2"	27"	1"	1 3/4"	18"	68 1/2"	1 1/2 x 1 1/2 x 3/16	302

# 900 SERIES

Double Width, Double Inlet, Framed Heavy Duty Blowers - with Pillow Block Bearings



WITH MOTOR & DRIVES



TWIN UNIT AVAILABLE



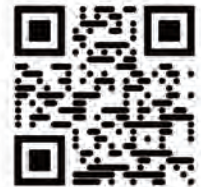
Call for pricing & availability.

## FEATURES

- Pillow block bearings mounted on "T" bar support.
- Corrosion resistant galvanized blower housing.
- Available as single and twin assemblies.
- All wheels capable of running at AMCA Class II operating conditions with appropriate shaft and bearings.
- Welded angular steel blower frames with T bar supports under bearings when used in bottom horizontal discharge (BHD) mounting position. Suitable for operation in top horizontal discharge (THD), upblast (UB) or downblast (DB) discharge position.
- Frames and bearing supports are baked powder coat finished.
- Pre-lubricated cast iron pillow block ball bearings with grease fitting suitable for operating in ambient temperatures from -30 to +230° F.
- Shaft extensions keywayed both ends suitable for single or double groove pulleys.
- Corrosion inhibiting shaft coating.
- Units skidded for shipment.

## PERFORMANCE SPECIFICATIONS

MODEL	TYPICAL MAXIMUM CFM @ SP									
	1/2" SP		1" SP		1 1/2" SP		2" SP		2 1/2" SP	
	CFM	FEI	CFM	FEI	CFM	FEI	CFM	FEI	CFM	FEI
907	3100	0.53	3000	0.59	2900	0.67	2850	0.68	2800	0.71
909-7	3800	0.63	3700	0.69	3600	0.75	3500	0.81	3400	0.85
909	5600	0.56	5500	0.61	5400	0.66	5300	0.71	5200	0.75
910-8	5700	0.58	5600	0.63	5500	0.67	5400	0.72	5300	0.77
910	6900	0.93	6800	0.94	6600	0.96	6400	0.98	6200	0.99
912-9	7600	0.72	7500	0.77	7300	0.82	7100	0.87	6900	0.91
912	8200	0.61	8100	0.67	7900	0.74	7700	0.80	7500	0.85
915-10	8900	0.64	8600	0.69	8400	0.76	8200	0.82	8000	0.89
915	12400	0.65	12100	0.72	11900	0.78	11600	0.84	10500	0.89
918-13	13300	0.67	12800	0.71	12300	0.76	12000	0.82	11800	0.88
918	17900	0.73	17300	0.74	16700	0.83	16200	0.87	15600	0.91
920-18	18300	0.68	17500	0.76	16700	0.83	16000	0.90	15100	0.95
920	26300	0.53	25800	0.53	25200	0.63	24600	0.68	24100	0.72
922	30200	0.56	29500	0.62	28800	0.68	28100	0.73	27400	0.78
925	37300	0.63	36000	0.69	34800	0.70	33700	0.76	32700	0.86
927	47000	0.61	45700	0.74	44300	0.80	42900	0.85	41500	0.91
930	56000	0.72	54500	0.78	53000	0.83	51000	0.88	49000	0.93
933	72000	0.58	70000	0.64	69000	0.69	68000	0.73	66000	0.77
936	76000	0.60	75000	0.66	74000	0.72	72000	0.77	70000	0.81

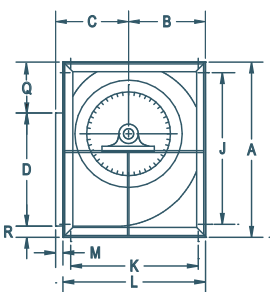
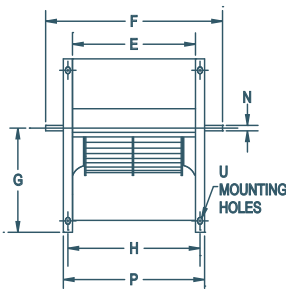


View FEI charts  
[canarm.com/fei-900](http://canarm.com/fei-900)

Power rating (BHP) does not include transmission losses. Performance certified is for installation type B: Free inlet, Ducted outlet. Performance ratings do not include the effect of appurtenances (accessories).

FOR FAN CURVES & FULL PERFORMANCE DATA, CONSULT OUR DELAIR SOFTWARE.  
[WWW.CANARM.COM/DELAIR](http://WWW.CANARM.COM/DELAIR)

## DIMENSIONS



MODEL	A	B	C	D	E	F (See Note)	G	H	J	K	L	M	N (See Note)	P	Q	R	U	UNIT WEIGHT (LBS) (without motor & drives)
907	14 3/8"	6 7/16"	6 1/16"	8 1/4"	9 3/16"	17 3/16"	8 5/8"	10 3/8"	11 5/8"	9"	11 3/4"	3/4"	3/4"	11 3/8"	4 5/8"	1 1/2"	7/16 x 5/8"	22
909-7	17 1/4"	7 15/16"	7 5/16"	10 1/4"	9 3/16"	17 3/16"	10 1/8"	10 3/8"	14 1/2"	11 3/4"	14 1/2"	3/4"	3/4"	11 3/8"	5 1/2"	1 1/2"	7/16 x 5/8"	27
909	17 1/4"	7 15/16"	7 5/16"	10 1/4"	11 13/16"	19 13/16"	10 1/8"	12 15/16"	14 1/2"	11 3/4"	14 1/2"	3/4"	3/4"	13 15/16"	5 1/2"	1 1/2"	7/16 x 5/8"	32
910-8	19 1/8"	9"	8"	11 3/8"	10 1/2"	18 1/2"	11 1/4"	11 5/8"	16 1/2"	13 3/8"	16 1/4"	3/4"	3/4"	12 5/8"	6 1/4"	1 1/2"	7/16 x 5/8"	35
910	19 1/8"	9"	8"	11 3/8"	13 1/8"	21 5/8"	11 1/4"	14 1/4"	16 1/2"	13 3/8"	16 1/4"	3/4"	1"	15 1/4"	6 1/4"	1 1/2"	7/16 x 5/8"	43
912-9	22 1/4"	10 5/8"	9 1/8"	13 7/16"	12 1/4"	20 3/4"	13"	13 3/8"	19 5/8"	16 1/4"	19"	3/4"	1"	14 3/8"	7 5/16"	1 1/2"	7/16 x 5/8"	48
912	22 1/4"	10 5/8"	9 1/8"	13 7/16"	15 5/8"	24 1/8"	13"	16 3/4"	19 5/8"	16 1/4"	19"	3/4"	1"	17 3/4"	7 5/16"	1 1/2"	7/16 x 5/8"	59
915-10	26"	12 9/16"	10 5/16"	15 7/8"	14 11/16"	23 3/16"	15 1/4"	15 13/16"	23 3/8"	19 3/8"	22 1/8"	3/4"	1"	16 13/16"	8 5/8"	1 1/2"	7/16 x 5/8"	62
915	26"	12 9/16"	10 5/16"	15 7/8"	18 5/8"	27 1/8"	15 1/4"	19 3/4"	23 3/8"	19 3/8"	22 1/8"	3/4"	1"	20 3/4"	8 5/8"	1 1/2"	7/16 x 5/8"	76
918-13	30 3/4"	14 15/16"	12 3/8"	18 7/8"	17 3/8"	28 1/2"	17 3/4"	19"	29"	24 1/2"	26 1/2"	3/4"	1 3/16"	20 1/2"	10 3/8"	1 1/2"	7/16 x 5/8"	120
918	30 3/4"	14 15/16"	12 3/8"	18 7/8"	21 7/8"	34"	17 3/4"	23 1/2"	29"	24 1/2"	26 1/2"	3/4"	1 3/16"	25"	10 3/8"	1 1/2"	7/16 x 5/8"	115
920-18	38"	18 5/16"	14 7/16"	24 3/4"	22 3/4"	36"	22 9/16"	24 1/4"	32 1/4"	25 1/2"	31 1/4"	1 1/2"	1 3/16"	26 3/4"	11 1/4"	2"	5/8"	202
920	38"	18 5/16"	14 7/16"	24 3/4"	24 3/4"	37 1/4"	22 9/16"	26 1/4"	32 1/4"	25 1/2"	31 1/4"	1 1/2"	1 3/16"	28 3/4"	11 1/4"	2"	5/8"	202
922	41 1/2"	20 1/16"	15 11/16"	27 1/4"	27 1/4"	39 3/4"	24 5/8"	28 3/4"	35 3/4"	28 1/2"	34 1/4"	1 1/2"	1 3/16"	31 1/4"	12 1/4"	2"	5/8"	226
925	46 3/4"	22 5/8"	17 1/4"	31 1/4"	31 1/4"	43 3/4"	27 3/4"	32 3/4"	41"	32 3/4"	38 3/8"	1 1/2"	1 3/16"	35 1/4"	13 1/2"	2"	5/8"	276
927	51 1/2"	25 1/16"	19 1/8"	34 1/4"	34 1/4"	50 1/4"	30 1/4"	35 3/4"	46 1/2"	37 11/16"	42 11/16"	1 1/2"	1 11/16"	38 1/4"	15 1/4"	2"	5/8"	400
930	55 1/2"	27 1/16"	20 5/16"	36 3/4"	36 3/4"	52 3/4"	32 5/8"	38 1/4"	50 1/2"	40 7/8"	45 7/8"	1 1/2"	1 11/16"	40 3/4"	16 3/4"	2"	5/8"	505
933	59 3/4"	29 1/8"	24 5/8"	42 15/16"	39 3/4"	58 3/4"	34 1/4"	41 3/4"	54 3/4"	47 1/4"	52 1/4"	1 1/2"	2 3/16"	43 3/4"	14 13/16"	2"	5/8"	610
936	59 3/4"	29 1/8"	24 5/8"	42 15/16"	42 3/4"	61 3/4"	34 1/4"	44 3/4"	54 3/4"	47 1/4"	52 1/4"	1 1/2"	2 3/16"	46 3/4"	14 13/16"	2"	5/8"	685

NOTE: "F" Dimension may vary among optional shaft diameters. Standard shaft sizes shown. Larger diameter shafts available. All wheels can run safely at AMCA Class II operating conditions with appropriate shaft & bearings.

## ACCESSORIES

- Models 907 to 915 - Motor mounting bracket with mounting and belt tension adjusting hardware.
- Models 912 to 936 - 1 to 15 HP motor platform with mounting hardware.
- Models 918 to 936 - 20 to 50 hp motor platform with mounting hardware.

### < OPTIONAL 1 TO 15 HP MOTOR PLATFORM

For more information on motor platforms, see page J6 in Accessories & Motor tab.





# 900-BI SERIES

## Double Width, Double Inlet Backward Inclined Blowers

### PERFORMANCE SPECIFICATIONS

MODEL	TYPICAL MAXIMUM CFM @ SP					
	1" SP	2" SP	3" SP	4" SP	5" SP	MAX HP
910-BI*	3600	3500	3200	2800	2600	7.5
911-BI	6500	6000	5500	5100	4700	10
912-BI	8000	7750	7500	7000	6500	15
914-BI*	11000	10500	10000	9000	9000	20
916-BI	14000	13000	12500	12000	11500	20
918-BI*	16000	15500	14000	13500	12000	25
920-BI*	24000	23500	22000	21500	18000	40
922-BI	28000	27500	27000	26500	26000	50
925-BI*	35000	34500	34000	33000	32500	60
928-BI	46000	45500	42000	41500	3800	75
932-BI	50000	49500	49000	45000	44500	75
936-BI	65000	64500	64000	55000	54500	100

### FEATURES

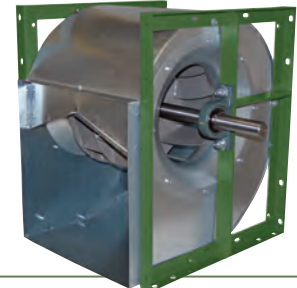
- Welded backwardly inclined blades.
- Corrosion resistant galvanized steel housing
- Heavy, welded steel "L" angle frames with "T-bar" bearing supports for 4 way mounting.
- Detachable inlet venturi.
- Shafts have corrosion inhibiting coating and are keywayed both ends.
- High quality cast iron pillow block bearings with grease fittings for lubrication.

\*Regular Stock Size

CFM values listed above are summarized for convenience.

**ALL SHAFT ENDS ARE KEYWAYED**

Power rating (BHP) does not include transmission losses. Performance certified is for installation type B: Free inlet, Ducted outlet. Performance ratings do not include the effect of appurtenances (accessories).

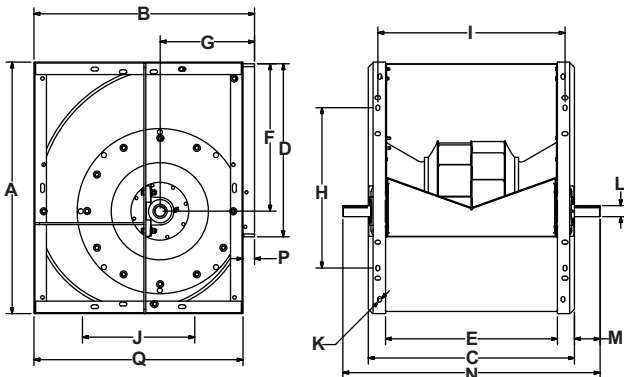


MULTIPLE DISCHARGE POSITION

### DIMENSIONS

MODEL	OVERALL SIZE			OUTLET		WHEEL CENTER		MOUNTING			SHAFT DIM					WEIGHT (lbs) without motor	
	A	B	C	D	E	F	G	H	I	J	Dia K	Dia L	M	N	P		Q
910-BI*	18 3/8"	16 9/16"	16 1/16"	12 13/16"	12 5/8"	10 11/16"	7 11/16"	8 13/16"	13 7/8"	8 13/16"	7/16"	1"	3 11/16"	23 1/2"	1 5/16"	15 3/16"	64
911-BI	20 3/8"	18 3/8"	17 15/16"	14 3/16"	14 3/16"	11 7/8"	8 7/16"	11"	15 3/8"	11"	1/2"	1 3/16"	2 7/16"	22 3/4"	1 7/16"	16 7/8"	100
912-BI	22 3/4"	20 3/8"	19 1/8"	15 15/16"	15 15/16"	13 3/8"	9 5/16"	11"	17 1/16"	11"	1/2"	1 3/16"	2 11/16"	24 1/2"	1 1/2"	18 7/8"	110
914-BI*	25 15/16"	22 15/16"	22 3/16"	17 15/16"	17 13/16"	15 1/8"	10 1/4"	14"	19 7/16"	14"	7/16"	1 7/16"	4 7/8"	32"	1 5/16"	21 5/8"	117
916-BI	29"	25 5/8"	24 11/16"	19 15/16"	19 15/16"	17"	11 7/16"	14"	21 9/16"	14"	1/2"	1 7/16"	2 3/8"	29 1/2"	1 1/2"	24 1/8"	160
918-BI*	32 3/4"	28 11/16"	27 1/4"	22 1/2"	22 3/8"	19 1/4"	12 5/16"	20 7/8"	24 1/4"	20 7/8"	1/2"	1 1/2"	3 9/16"	34 1/2"	1 1/2"	27 3/16"	174
920-BI*	36 3/8"	31 11/16"	30 9/16"	25 1/4"	25 1/16"	21 1/4"	13 13/16"	20 7/8"	27 1/16"	20 7/8"	1/2"	1 1/2"	4 13/16"	40 1/4"	2"	29 11/16"	227
922-BI	40 9/16"	35 3/16"	34 3/8"	28 1/8"	28 1/8"	23 3/4"	15 3/8"	20 7/8"	30 1/8"	20 7/8"	1/2"	1 15/16"	3 15/16"	42 1/4"	2 1/8"	33"	400
925-BI*	45 1/2"	39 3/8"	31 1/2"	31 11/16"	31 1/2"	26 13/16"	16 15/16"	20 7/8"	33 1/4"	20 7/8"	1/2"	1 15/16"	4 3/8"	45 1/2"	2 1/4"	37 1/8"	365
928-BI	51 5/16"	44 1/8"	40 9/16"	35 3/8"	35 3/8"	30 1/8"	19 1/16"	24 13/16"	37 5/16"	24 13/16"	3/4"	1 15/16"	4 7/16"	49 1/2"	2 13/16"	41 5/16"	597
932-BI	57 13/16"	49 11/16"	39 3/4"	39 3/4"	39 3/4"	34"	21 1/4"	27 15/16"	41 5/8"	27 15/16"	1/2"	1 15/16"	4"	53 1/2"	3"	46 11/16"	661
936-BI	64 7/8"	55 7/16"	50 1/4"	44 1/2"	44 1/2"	38 1/4"	23 3/4"	31 1/2"	46 7/16"	31 1/2"	3/4"	2 7/16"	4 3/4"	59 3/4"	3 1/2"	51 15/16"	1061

\*Regular stock size



### OPTIONS

- 1 - 15 HP Motor Platform
- 20 - 50 HP Motor Platform



OPTIONAL 1 TO 15 HP MOTOR PLATFORM  
(20 - 50 HP ALSO AVAILABLE)



AVAILABLE WITH MOTORS & DRIVES FACTORY INSTALLED. CONSULT OUR DELAIR FAN SELECTION SOFTWARE FOR DETAILS.

# 400 SERIES

## FC Exhauster Belt Drive Utility Blowers



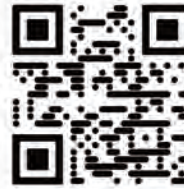
OPTIONAL 1 TO 15 HP MOTOR PLATFORM FOR MODELS 420, 422 & 425

### FEATURES

- Universal frame allows for choice of discharge position.
- Multiple choice for motor mounting location with each discharge position.
- Motor mounting hardware supplied with models 407 to 418.
- Optional platform for models 420 to 425.
- Keywayed shafts
- Ball bearings suitable for -65° to +250° F.
- Spider bearing brackets for models 407 - 418. Pillow block bearings with T bar support for models 420, 422 & 425.
- Optional back draft dampers, inlet & outlet screens and belt guards.
- Shafts 420, 422 & 425 models are keywayed for wheels and pulleys (407 to 418 models for pulleys only).

### PERFORMANCE SPECIFICATIONS

MODEL	TYPICAL MAXIMUM CFM @ SP										Max HP
	1/2" SP		1" SP		1 1/2" SP		2" SP		2 1/2" SP		
	CFM	FEI	CFM	FEI	CFM	FEI	CFM	FEI	CFM	FEI	
407	1000	0.47	900	0.56	800	0.63	700	0.64	500	0.59	1
409	2100	0.52	2000	0.62	1900	0.71	1800	0.79	1700	0.85	2
410	2600	0.61	2400	0.72	2300	0.80	2200	0.88	2000	0.99	2
412	3000	0.70	2800	0.82	2700	0.90	2500	0.97	2300	1.06	2
415	5300	0.76	4800	0.86	4500	0.95	4200	1.03	3600	1.00	3
418	6700	0.60	6300	0.68	5900	0.77	5500	0.84	5200	0.91	5
420	9300	0.52	8900	0.62	8500	0.72	8100	0.80	7700	0.87	7-1/2
422	10300	0.54	9800	0.64	9200	0.74	8600	0.82	8000	0.88	7-1/2
425	14300	0.87	13500	0.68	12500	0.76	11900	0.84	11400	0.94	10



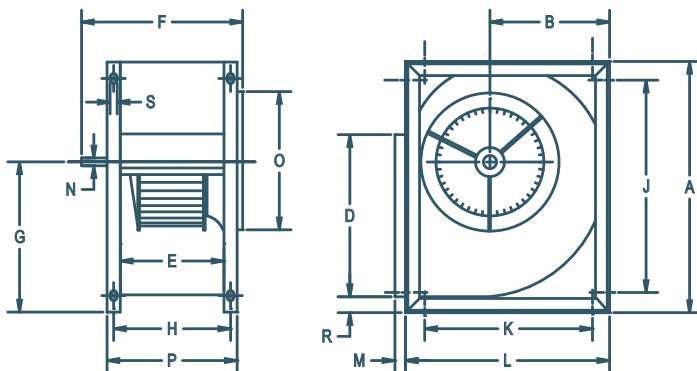
View FEI charts  
[canarm.com/fei-400](http://canarm.com/fei-400)

Power rating (BHP) does not include transmission losses. Performance certified is for installation type B: Free inlet, Ducted outlet. Performance ratings do not include the effect of appurtenances (accessories).

FOR FAN CURVES & FULL PERFORMANCE DATA, CONSULT OUR DELAIR SOFTWARE. [WWW.CANARM.COM/DELAIR](http://WWW.CANARM.COM/DELAIR)

### DIMENSIONS

MODEL	A	B	D	E	F	G	H	J	K	L	M	N	O	P	R	S	WHEEL DIAMETER	WHEEL WIDTH	UNIT WEIGHT (LBS) (without motor)
407	14 1/4"	6 1/2"	8 3/8"	6 7/8"	11 5/8"	8 5/8"	8"	11 1/16"	8 7/8"	11 3/4"	3/4"	3/4"	9"	9"	1 1/2"	7/16"	8 1/26"	4 15/16"	16
409	17 1/4"	7 15/16"	10 1/4"	9 3/16"	13 15/16"	10 1/8"	10 5/16"	14 5/8"	11 3/4"	14 1/2"	3/4"	3/4"	10"	11 5/16"	1 1/2"	7/16"	9 13/16"	7 3/16"	23
410	19 1/8"	9"	11 3/8"	9 3/16"	13 15/16"	11 1/4"	10 5/16"	16 1/4"	13 1/2"	16 1/4"	3/4"	3/4"	12"	11 5/16"	1 1/2"	7/16"	11 1/8"	7 3/16"	26
412	22 1/4"	10 9/16"	13 1/2"	9 3/16"	13 15/16"	13"	10 5/16"	19 5/8"	16 1/4"	19"	3/4"	3/4"	14"	11 5/16"	1 1/2"	7/16"	12 7/8"	7 3/16"	30
415	29 3/4"	14 3/4"	17"	12 1/2"	17 3/8"	18 1/8"	13 3/4"	27 1/4"	22 5/8"	25 1/4"	3/4"	1"	17"	14 3/4"	1 1/2"	7/16"	15 1/2"	9 9/16"	56
418	30 3/4"	14 15/16"	18 7/8"	14"	20 3/8"	17 3/4"	15 5/8"	28 1/2"	24"	26 1/2"	3/4"	1"	18"	17 1/4"	1 1/2"	7/16"	18 1/2"	10 13/16"	87
420	38"	18 5/16"	24 3/4"	15 3/4"	24 1/4"	22 9/16"	17 1/4"	32 7/16"	25 7/16"	31 1/4"	1 1/2"	1 3/16"	21"	19 3/4"	2"	5/8"	20 7/16"	10 1/4"	189
422	41 1/2"	20 1/16"	27 1/4"	17 1/8"	25 5/8"	24 5/8"	18 5/8"	35 31/32"	28 15/32"	34 1/4"	1 1/2"	1 3/16"	22 1/2"	21 1/8"	2"	5/8"	22 1/8"	11 1/4"	214
425	46 3/4"	22 5/8"	31 1/4"	19 5/8"	28 1/2"	27 3/4"	21 1/8"	41 7/32"	32 17/32"	38 3/8"	1 1/2"	1 3/16"	26 3/4"	23 5/8"	2"	5/8"	25 1/4"	13"	252



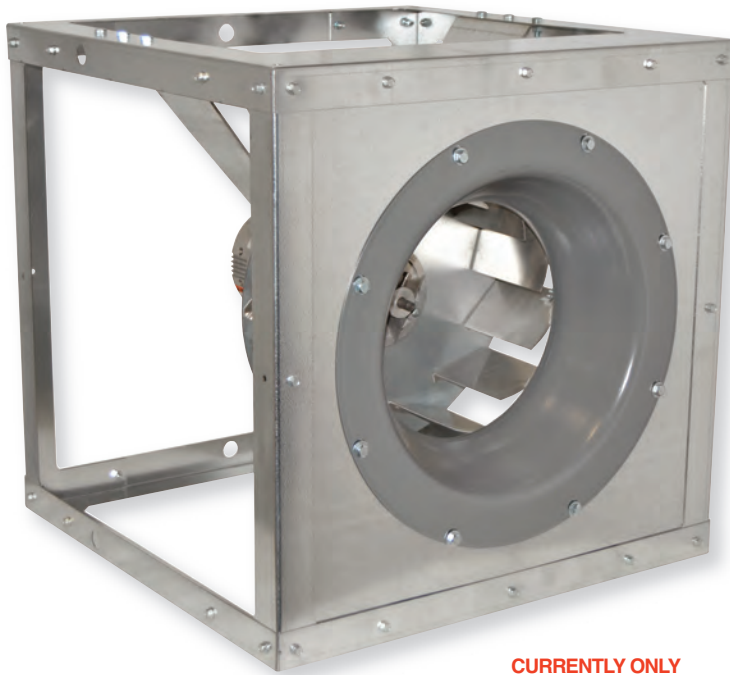
### ACCESSORIES

- Back Draft Dampers
- Inlet & Outlet Screens
- Corrosion Resistant Finishes
- Vibration Isolation
- Belt Guard

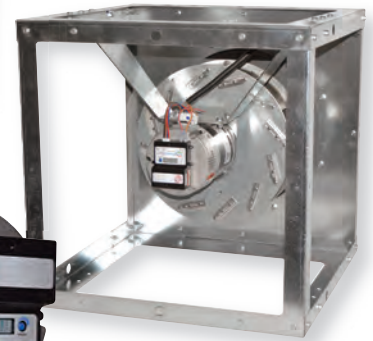
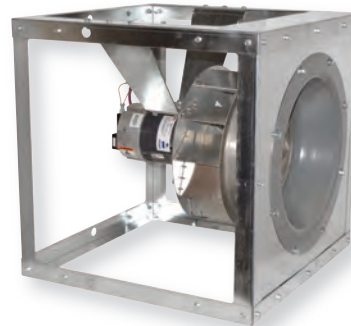
For more information on available accessories, see page C14 in Roof Mount Ventilation section.

# PMD SERIES

## Backward Inclined Direct Drive Plenum Fan



**CURRENTLY ONLY  
AVAILABLE  
IN CANADA**



### FEATURES

- Available in 10", 12", 13", 15"
- High efficiency aluminum wheel
- Junction box
- High Efficiency EC Motor
- 0-10VDC onboard potentiometer
- LED display for RPM and percent of demand
- 120/208-230 V 1Ø
- No separate transformer
- 300 RPM minimum
- Flexible user interface
- Ideally suited for plenum arrays

### PERFORMANCE SPECIFICATIONS

MODEL	TYPICAL MAXIMUM CFM @ SP					MAX HP	RPM
	1/2" SP	1" SP	1 1/2" SP	2" SP			
PMD105	870	390	--	--	1/2 HP	1800	
PMD120	1630	1220	--	--	1/2 HP	1800	
PMD135	2280	1800	1120	--	1/2 HP	1800	
PMD150	3060	2680	2170	1400	1 HP	1800	
PMD165	TBA	TBA	TBA	TBA	1 HP	1500	
PMD180	TBA	TBA	TBA	TBA	1 HP	1200	

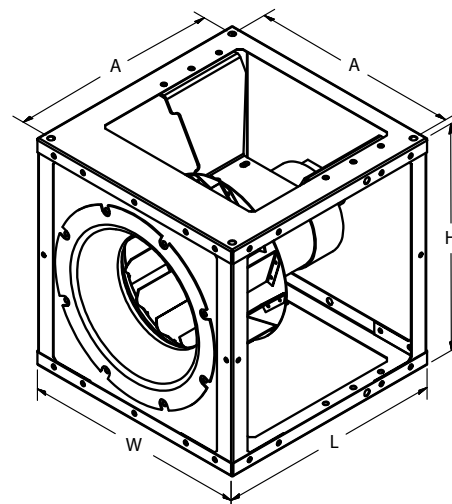
Power rating (BHP) does not include transmission losses. Performance certified is for installation type B - Free inlet, Ducted Outlet. Performance ratings do not include the effects of appurtenances (accessories).

CFM values listed above are summarized for convenience.

FOR FAN CURVES & FULL PERFORMANCE DATA, CONSULT OUR DELAIR SOFTWARE. DOWNLOAD DELAIR @ [WWW.CANARM.COM/DELAIR](http://WWW.CANARM.COM/DELAIR)

### DIMENSIONS

MODEL	DIMENSIONS (IN)			
	L	W	H	A
PMD105	16	16	16	14 13/16
PMD120	20	20	20	18 13/16
PMD135	22	22	22	20 13/16
PMD150	24 1/2	24 1/2	24 1/2	23 1/4
PMD165	26	26	26	24 3/4
PMD180	28 5/8	25 5/8	28 5/8	27 3/8

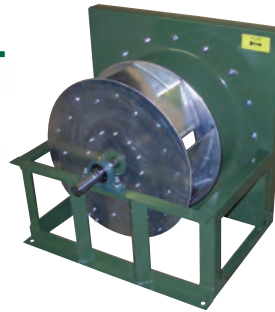




**ASK US ABOUT**  
Direct Drive  
Plenum Fan Option

# DPL & DPL-AF SERIES

Flat Blade & Air Foil Blade Plenum Fans



DPL-AF BACK VIEW

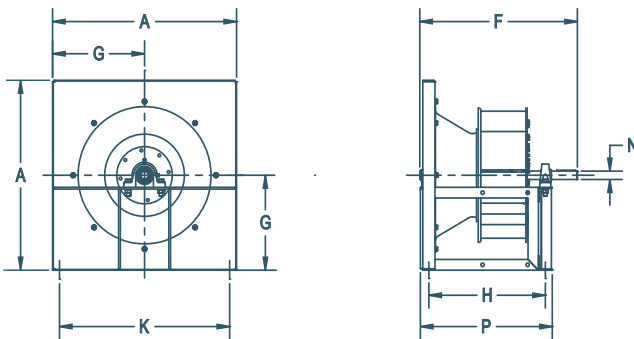


DPL BACK VIEW

## FEATURES

- Rigid welded angle iron frame construction.
- Full Class II capability.
- Min L10 bearing life of 35,000 hrs (average - L50 bearing life of 175,000 hrs).
- Standard welded backwardly inclined flat blade wheel for DPL-12 to DPL-36 (Aluminum available as option).
- Standard welded aluminum backward inclined airfoil wheel for DPL-18-AF to DPL-27-AF.

## DIMENSIONS



MODEL	A	F	G	H	K	N	P	UNIT WEIGHT (LBS) (without motor & drives)
DPL-12	18 3/4"	17 5/8"	9 3/8"	12 1/2"	16 3/4"	1"	14 1/8"	51
DPL-13	20 5/8"	17 5/8"	10 5/16"	12 1/2"	18 5/8"	1"	14 1/8"	57
DPL-15	22 15/16"	18 5/8"	11 15/32"	13 1/2"	20 15/16"	1"	15 1/8"	68
DPL-16	24"	20 1/8"	12"	14-1/2"	22"	1 3/16"	16 1/8"	80
DPL-18 & DPL-AF-18	26 9/16"	22 3/4"	13 9/32"	16 13/16"	24 9/16"	1 3/16"	19 1/16"	91
DPL- 20 & DPL-AF-20	29 1/16"	24 1/16"	14 17/32"	18 1/16"	27 1/16"	1 3/16"	20 5/16"	104
DPL-22 & DPL-AF-22	31"	27 1/16"	15 1/2"	20 7/16"	29"	1 7/16"	22 15/16"	148
DPL-24 & DPL-AF-24	34 1/8"	28 5/8"	17 1/16"	22"	32 1/8"	1 7/16"	24 1/2"	185
DPL-27 & DPL-AF-27	37 5/8"	30 7/16"	18 13/16"	23 13/16"	35 5/8"	1 7/16"	26 5/16"	205
DPL-30 & <del>DPL-AF-30</del>	40"	34"	20"	26 3/8"	38"	1 11/16"	29 3/16"	248
DPL-33 & <del>DPL-AF-33</del>	44"	36 15/16"	22"	28 3/8"	42"	1 15/16"	31 3/16"	306
DPL-36 & <del>DPL-AF-36</del>	48 11/16"	39"	24 11/32"	30 7/8"	46 11/16"	1 15/16"	33 11/16"	357

\*DPL-AF-30, 33 and 36 currently under redesign. Please call factory.

## PERFORMANCE SPECIFICATIONS

MODEL	CLASS	1" SP	3" SP	5" SP	7" SP	9" SP
DPL-12	II	4300	4000	3600	3000	--
DPL-13	II	5200	4700	4000	3000	--
DPL-15	II	5900	5200	4200	2800	--
DPL-16	II	7600	6800	5700	4200	--
DPL-18	I	7200	6400	2400	--	--
DPL-AF-18	II	9500	8500	7500	6500	4300
DPL- 20	I	8800	7600	5200	--	--
DPL-AF-20	II	11500	10500	9000	7200	5000
DPL-22	I	12000	9500	4500	--	--
DPL-AF-22	II	14500	13000	11000	9000	7000
DPL-24	I	14000	12500	8000	--	--
DPL-AF-24	II	16000	14000	12000	9000	6500
DPL-27	I	16000	14000	9000	--	--
DPL-AF-27	II	20000	17000	15000	11500	8000
DPL-30	I	20000	18000	12000	--	--
<del>DPL-AF-30</del>	II	25000	22000	18000	15000	10000
DPL-33	I	26000	22000	16000	--	--
<del>DPL-AF-33</del>	II	31000	28000	24000	20000	16000
DPL-36	I	30000	26000	20000	--	--
<del>DPL-AF-36</del>	II	38000	32000	26000	20000	15000

Power rating (BHP) does not include transmission losses. Performance certified is for installation type B: Free inlet, Ducted outlet. Performance ratings do not include the effect of appurtenances (accessories).

CFM values listed above are summarized for convenience.

\*DPL-AF-30, 33 and 36 currently under redesign. Please call factory.

FOR FAN CURVES & FULL PERFORMANCE DATA, CONSULT OUR DELAIR SOFTWARE. DOWNLOAD DELAIR @ WWW.CANARM.COM/DELAIR

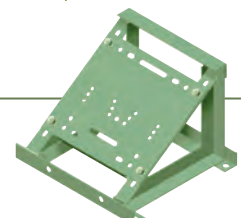
## MOTOR BASE & PLATFORM

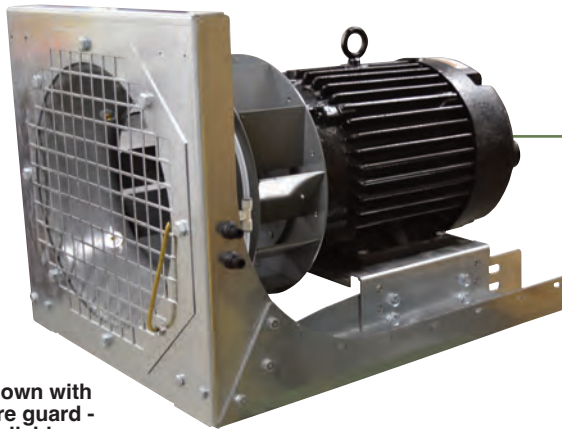
- Can be bolted directly to the side of the Plenum fan frame (2 locations) or secured to the base of the air handler.
- Sliding platform provides convenient belt tension adjustment.

MOTOR PLATFORM		
WHEEL DIAMETERS	MAX HP	MAX FRAME SIZE
12" TO 20"	10	215T
22" TO 27"	15	254T
30" TO 36"	30	286T

## OPTIONS

- Vibration Isolators
- Motor base with platform





Shown with wire guard - available as an accessory

# DPL-DL SERIES

## Direct Drive Backward Curved Aluminum Plenum Fan

DPL-DL is a Class I direct drive backward curved aluminum wheel plenum fan. The DPL-DL is recognized for space saving, and versatility as it offers multiple discharge options. The DPL is an unhooded fan with four piece galvanized bolt together frame construction and is commonly used in air handling unit applications. Belt driven, steel and airfoil wheel options available.

### FEATURES

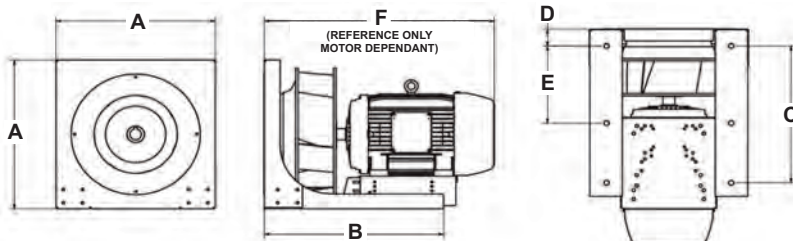
- Bolted, 4 piece, galvanized frame construction
- Class I capability
- Aluminum wheel backward curved

### PERFORMANCE SPECIFICATIONS

MODEL	PERFORMANCE MAX BHP	PERFORMANCE RPM	CLASS	CFM								MAX HP	MAX WHEEL RPM
				1" SP		2" SP		3" SP		5" SP			
				BHP	RPM	BHP	RPM	BHP	RPM	BHP	RPM		
DPL9-DL	0.535	3600	I	1150		950		750		-		1.5	4700
				0.4	3553	0.47	3513	0.53	3586	-	-		
DPL10-DL	0.896	3600	I	1600		1454		1239		-		1.5	4200
				0.64	3523	0.77	3599	0.87	3599	-	-		
DPL11-DL	1.558	3600	I	2300		2150		1935		1318		2	3750
				1.1	3528	1.28	3594	1.43	3600	-	-		
DPL12-DL	2.25	3350*	I	3140		2907		2600		1980		3	3350
				1.66	3349	1.81	3350	1.96	3318	2.24	3349		
DPL14-DL	2.96	2950*	I	4000		3750		3500		2500		3	2950
				2.06	2889	2.3	2897	2.63	2945	2.81	2897		
DPL16-DL	3.87	2650*	I	5000		4700		4542		3486		5	2650
				2.49	2529	2.82	2546	3.4	2644	3.88	2650		
DPL18-DL	4.83	2350*	I	6500		6100		5700		4388		5	2350
				3.34	2302	3.73	2308	4.24	2343	4.83	2350		
DPL20-DL	6.04	2100*	I	8366		7900		7180		5552		7.5	2100
				4.42	2100	5.01	2100	5.36	2100	6	2094		
DPL22-DL	7.23	1850*	I	10339		9733		8800		6665		7.5	1850
				5.34	1850	6.03	1850	6.47	1849	7.27	1850		
DPL25-DL	7.63	1550*	I	12000		11300		9900		6758		10	1550
				5.5	1523	6.38	1533	6.87	1533	7.59	1550		

Performance ratings do not include the effect of appurtenances (accessories). CFM values listed above are summarized for convenience. Can offer custom build to achieve higher HP. Please contact Canarm for details. Performance listed at either 3600RPM or at Max wheel RPM. VFD Required to reduce performance. \*VFD Required to operate at MAX RPM limit.

### DIMENSIONS

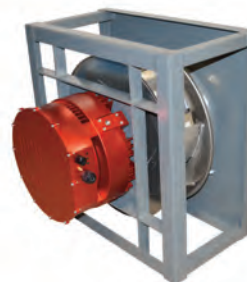


MODEL	A	B	C	D	E	F
DPL9	12"	15 7/8"	10"	2 3/4"	N/A	17 5/8"
DPL10	12"	15 7/8"	10"	2 3/4"	N/A	17 3/4"
DPL11	15"	17 7/8"	12"	2 3/4"	N/A	19 3/4"
DPL12	15"	17 7/8"	12"	2 3/4"	N/A	20"
DPL14	19"	21 7/8"	16"	2 7/8"	N/A	25 3/8"
DPL16	19"	21 7/8"	16"	2 7/8"	N/A	26 5/8"
DPL18	25"	28 7/8"	23"	2 7/8"	13"	35 1/8"
DPL20	25"	28 7/8"	23"	2 7/8"	13"	36 1/8"
DPL22	30"	30 1/8"	25"	2 7/8"	16"	35 1/8"
DPL25	30"	30 1/8"	25"	2 7/8"	16"	36 7/8"

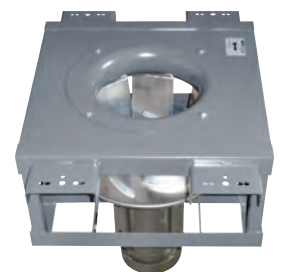
### ACCESSORIES

- Inlet guard
- Wheel guard
- Piezometers
- Vibration isolators
- Dwyer differential pressure controller
- Variable Frequency Drives

### OTHER AVAILABLE MODELS



ADPL



DPLH

# DPL-DC SERIES

## Direct Drive Backward Curved Steel Plenum Fan



DPL-DC is a Class II direct drive backward curved steel wheel plenum fan. The DPL-DC is recognized for space saving, and versatility as it offers multiple discharge options. The DPL is an unhused fan with four piece galvanized bolt together frame construction and is commonly used in air handling unit applications. Belt driven, aluminum and airfoil wheel options available.

### FEATURES

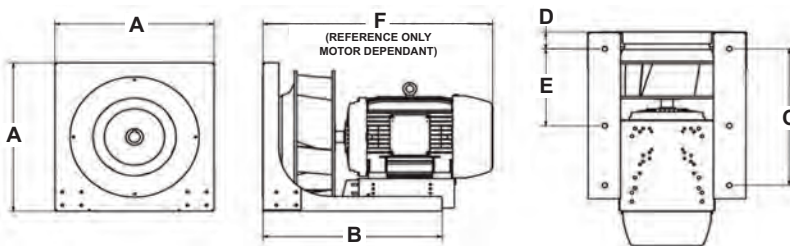
- Bolted, 4 piece, galvanized frame construction
- Class II capability
- Steel wheel backward curved

### PERFORMANCE SPECIFICATIONS

MODEL	PERFORMANCE MAX BHP	PERFORMANCE RPM	CLASS	CFM																MAX HP	MAX WHEEL RPM
				1" SP		2" SP		3" SP		5" SP		7" SP		9" SP		11" SP					
				BHP	RPM	BHP	RPM	BHP	RPM	BHP	RPM	BHP	RPM	BHP	RPM	BHP	RPM				
DPL9-DC	1	3600	II	1200		1015		783										3	6400		
				0.41	3598	0.48	3598	0.53	3599												
DPL10-DC	1	3600	II	1681		1488		1288										5	5800		
				0.66	3600	0.75	3600	0.86	3599												
DPL11-DC	2	3600	II	2370		2200		1961		1250								5	5200		
				1.09	3598	1.25	3599	1.37	3599	1.51	3578										
DPL12-DC	3	3600	II	3400		3200		2980		2400								7.5	4600		
				1.86	3589	2.05	3542	2.26	3592	2.58	3555										
DPL14-DC	5	3600	II	5200		4900		4744		4200		3419		1372				7.5	4100		
				3.22	3591	3.56	3552	3.95	3600	4.65	3597	5.19	3600	4.15	3600						
DPL16-DC	10	3600	II	7500		7246		6978		6431		5760		4786		2980		10	3600		
				5.63	3599	6.27	3600	6.77	3600	7.69	3600	8.66	3599	9.34	3600	8.69	3600				
DPL18-DC	15	3200*	II	9400		9200		8800		8170		7320		5800		3880		15	3200		
				6.86	3160	7.9	3199	8.4	3181	9.7	3200	10.91	3199	11.31	3152	10.34	3172				
DPL20-DC	15	2900*	II	11800		11400		10990		10145		9115		7650		5118		15	2900		
				8.84	2898	9.84	2900	10.62	2899	12.06	2900	13.57	2900	14.67	2900	13.3	2876				
DPL22-DC	20	2600*	II	14800		14410		14015		12950		11500		9929		6500		20	2600		
				11.27	2599	12.52	2599	13.86	2600	16.27	2600	17.87	2591	18.88	14087	17.9	2596				
DPL25-DC	25	2300*	II	18600		18140		17400		16269		14500		12380		7800		25	2300		
				13.93	2296	15.55	2300	16.79	2294	20.21	2300	22.39	2300	23.41	2300	21.9	2298				
DPL27-DC	30	2100	II	24300		23700		23100		21500		19200		15900		11400		30	2100		
				19.27	2095	21.19	2095	23.23	2098	27.19	2099	29.95	2088	29.88	2050	29.94	2065				
DPL31-DC	30	1850	II	30000		29100		28200		24600		20200		14100		9000		30	1850		
				24.43	1849	26.66	1846	28.92	1847	29.83	1779	29.84	1709	29.88	1685	29.92	1767				
DPL35-DC	30	1800	II	37600		35200		32600		26800		19600		12000		7300		30	1800		
				29.85	1629	29.92	1577	29.95	1526	29.94	1439	29.89	1383	29.98	1431	29.85	1552				

Performance ratings do not include the effect of appurtenances (accessories). CFM values listed above are summarized for convenience. Can offer custom build to achieve higher HP please contact Canarm for details. Performance listed at either 3600RPM or at Max wheel RPM. VFD Required to reduce performance.\*VFD Required to operate at MAX RPM limit.

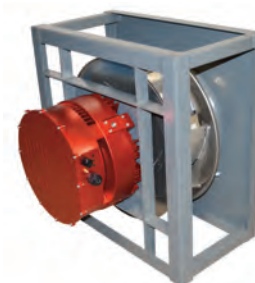
### DIMENSIONS



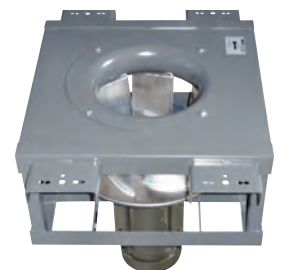
### ACCESSORIES

- Inlet guard
- Wheel guard
- Piezometers
- Vibration isolators
- Dwyer differential pressure controller
- Variable Frequency Drives

### OTHER AVAILABLE MODELS



ADPL



DPLH

MODEL	A	B	C	D	E	F
DPL9	12"	15 7/8"	10"	2 3/4"	N/A	17 5/8"
DPL10	12"	15 7/8"	10"	2 3/4"	N/A	17 3/4"
DPL11	15"	17 7/8"	12"	2 3/4"	N/A	19 3/4"
DPL12	15"	17 7/8"	12"	2 3/4"	N/A	20"
DPL14	19"	21 7/8"	16"	2 7/8"	N/A	25 3/8"
DPL16	19"	21 7/8"	16"	2 7/8"	N/A	26 5/8"
DPL18	25"	28 7/8"	23"	2 7/8"	13"	35 1/8"
DPL20	25"	28 7/8"	23"	2 7/8"	13"	36 1/8"
DPL22	30"	30 1/8"	25"	2 7/8"	16"	35 1/8"
DPL25	30"	30 1/8"	25"	2 7/8"	16"	36 7/8"
DPL27	38"	41 1/8"	35 1/2"	2 3/4"	16"	42 1/8"
DPL31	38"	41 1/8"	35 1/2"	2 7/8"	19 1/2"	45 3/8"
DPL35	46"	44 1/8"	38 1/2"	2 7/8"	22 1/2"	46 1/4"





Shown with wire guard - available as an accessory

# DPL-DP SERIES

## Direct Drive Backward Curved Airfoil Plenum Fan

DPL-DP is a Class III direct drive backward curved airfoil wheel plenum fan. The DPL-DP is recognized for space saving, and versatility as it offers multiple discharge options. The DPL is an unhooded fan with four piece galvanized bolt together frame construction and is commonly used in air handling unit applications. Belt driven, aluminum and steel wheel options available.

### FEATURES

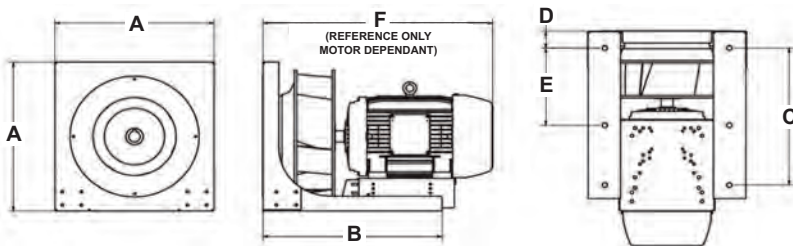
- Bolted, 4 piece, galvanized frame construction
- Class III capability
- Airfoil wheel backward curved

### PERFORMANCE SPECIFICATIONS

MODEL	PERFORMANCE MAX BHP	PERFORMANCE RPM	CLASS	CFM																MAX HP	MAX WHEEL RPM
				1" SP		2" SP		3" SP		5" SP		7" SP		9" SP		11" SP		13" SP			
				BHP	RPM	BHP	RPM	BHP	RPM	BHP	RPM	BHP	RPM	BHP	RPM	BHP	RPM	BHP	RPM		
DPL12-DP	3	3600	III	3329		3128		2962		2393		1257		-	-	-	-	-	-	15	5750
				1.9	3600	2.1	3600	2.3	3600	2.6	3600	2.1	3600	-	-	-	-	-	-		
DPL14-DP	5	3600	III	4978		4752		4538		4004		3233		-	-	-	-	-	-	15	5100
				3.5	3600	3.8	3600	4.1	3600	4.7	3600	4.9	3600	-	-	-	-	-	-		
DPL16-DP	10	3600	III	7315		7063		6835		6310		5524		4628		3382		-	-	20	4550
				6.2	3600	6.7	3600	7.1	3600	8.1	3600	8.7	3600	8.7	3600	8.2	3600	-	-		
DPL18-DP	20	3600	III	10735		10423		10114		9561		8870		7948		6851		5650		25	4000
				11.2	3600	12	3600	12.7	3600	14.1	3600	15.2	3600	16.1	3600	16.4	3600	16.43	3600		
DPL20-DP	30	3600	III	14552		14266		13979		13408		12537		11661		10819		9712		30	3650
				18.3	3600	19.3	3600	20.3	3600	22.3	3600	23.9	3600	25.4	3600	25.7	3600	26.5	3600		
DPL22-DP	30	3250*	III	19187		18754		18321		17459		15972		14068		12367		10855		30	3250
				24.2	3250	25.5	3250	26.8	3250	29.4	3250	30	3168	30	3070	30	3034	30	3052		
DPL25-DP	30	2850*	III	23508		22580		21530		19829		17454		15180		12627		10676		30	2850
				29.29	2850	29.98	2834	30	2770	29.91	2691	29.981	2565	30	2515	29.9	2491	30	2526		
DPL27-DP	30	2550	III	27500		26100		24700		21900		19000		16000		15800		10400		30	2550
				29.72	2341	29.76	2337	29.76	2333	29.76	2237	29.84	2046	29.77	2013	29.67	2010	30	2104		
DPL31-DP	30	2250	III	32500		30700		28900		24600		19800		16600		12500		10450		30	2250
				29.98	1957	29.76	1905	29.88	1857	29.84	1748	29.81	1684	29.88	1731	29.97	1770	29.89	2102		
DPL35-DP	30	2000	III	37700		35300		32700		26400		21200		15700		10100		-		30	2000
				29.98	1603	29.97	1557	29.99	1508	29.96	1406	29.96	1406	29.94	1443	29.98	1555	-	-		

Performance ratings do not include the effect of appurtenances (accessories). CFM values listed above are summarized for convenience. Can offer custom build to achieve higher HP please contact Canarm for details. Performance listed at either 3600RPM or at Max wheel RPM. VFD Required to reduce performance. \*VFD Required to operate at MAX RPM limit.

### DIMENSIONS

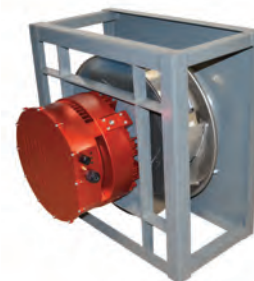


MODEL	A	B	C	D	E	F
DPL12	15"	17 7/8"	12"	2 3/4"	N/A	20"
DPL14	19"	21 7/8"	16"	2 7/8"	N/A	25 3/8"
DPL16	19"	21 7/8"	16"	2 7/8"	N/A	26 5/8"
DPL18	25"	28 7/8"	23"	2 7/8"	13"	35 1/8"
DPL20	25"	28 7/8"	23"	2 7/8"	13"	36 1/8"
DPL22	30"	30 1/8"	25"	2 7/8"	16"	35 1/8"
DPL25	30"	30 1/8"	25"	2 7/8"	16"	36 7/8"
DPL27	38"	41 1/8"	35 1/2"	2 3/4"	16"	42 1/8"
DPL31	38"	41 1/8"	35 1/2"	2 7/8"	19 1/2"	45 3/8"
DPL35	46"	44 1/8"	38 1/2"	2 7/8"	22 1/2"	46 1/4"

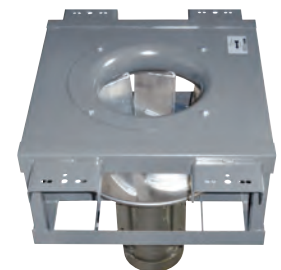
### ACCESSORIES

- Inlet guard
- Wheel guard
- Piezometers
- Vibration isolators
- Dwyer differential pressure controller
- Variable Frequency Drives

### OTHER AVAILABLE MODELS



ADPL



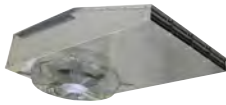
DPLH



# AIR CIRCULATION & MANCOOLERS



**I 1 CJF SERIES**  
Jet Fans



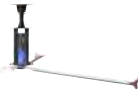
**I 1 FANBOS**  
High Volume  
Low Speed Fan



**I 2 TRI-LITE COMMERCIAL EC**  
Direct Drive  
High Volume  
Low Speed Fans



**I 3 TRI-LITE ECONOMIC HVLS FANS**  
Geared Drive High Volume  
Low Speed Fans



**I 4 TRI-LITE DIRECT DRIVE HVLS FANS**  
Direct Drive  
High Volume  
Low Speed Fans



**I 5 PENTA-LITE COMMERCIAL EC**  
Direct Drive  
High Volume  
Low Speed Fans



**I 6 PENTA-LITE HVLS FANS**  
Geared Drive  
High Volume  
Low Speed Fans



**I 7 HEXA-LITE / EC HVLS FANS**  
Geared Drive &  
Direct Drive  
HVLS Fans



**I 8 OCTA-LITE COMMERCIAL EC**  
Direct Drive  
High Volume  
Low Speed Fans



**I 9** Controls for  
HVLS fans



**I 9 TOUCH 'N' GO PREMIER CONTROLLER**



**I 11** Winter Energy Savings By  
Heat Destratification  
Shipping Door Air Curtain  
How To Choose A Fan

**I 12 DC INDUSTRIAL Commercial Ceiling Fans**



**I 13 INDUSTRIAL FAN GUARD**



**I 13** Downrods & Mounting Kit



**I 13** Industrial Ceiling Fan  
Controls



**I 14 HVF SERIES**  
High Velocity Floor/  
Table/Wall Circulating  
Fans



**I 14 HVRA SERIES**  
High Velocity  
Economy Fans



**I 15 LF SERIES**  
High Velocity Ceiling  
Or Wall Fan



**I 15 HAF SERIES**  
Horizontal Air Flow  
Fans



**I 16 CA SERIES**  
Industrial Grade  
Circulating Fans



**I 16** Mounting  
Accessories



**I 17 PBKD/WMKD SERIES**  
Commercial Circulating  
Fans



**I 17 CCU SERIES**  
Commercial Circulating  
Fans



# AIR CIRCULATION & MANCOOLERS



**I 19 HVR SERIES**  
Drum Fans



**I 20 MCS & MCSA SERIES**  
High Stand Industrial  
Mancoolers



**I 21 MCU & MCUA SERIES**  
Low Stand Industrial  
Mancoolers



**I 22 MCY & MCYA SERIES**  
Yoke Mount Industrial  
Mancoolers



**I 23 BUCKET FANS**





# CJF SERIES

## Jet Fans

Canarm Jet Fans (CJF) generate a high-speed and high-pressure directed air jet.

They are designed for general purpose ventilation of parking garages or any other low ceiling applications.

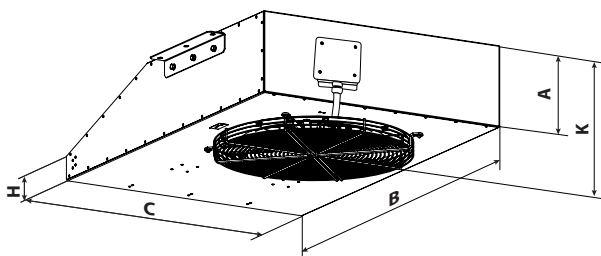
### FEATURES

- Low profile, ideal for low ceiling heights
- CJF casing is made of galvanized sheet steel.
- Thrust between 15 - 80N air flow up to 6000 CFM
- OSHA protective intake grille.
- Single Phase - EC variable speed motors
- Three Phase - single, two speed or EC motors.
- Impeller has backward curved steel blades.
- Mount to ceiling with supplied brackets.
- Power is supplied through the external terminal box.

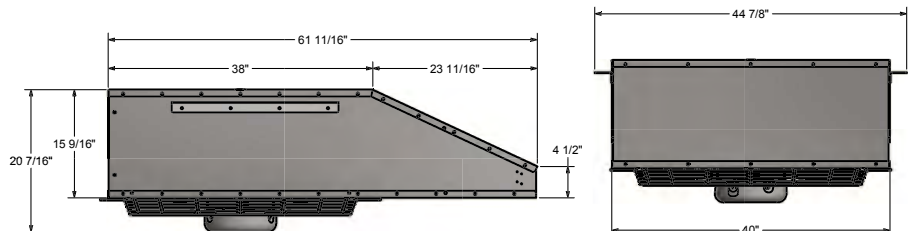
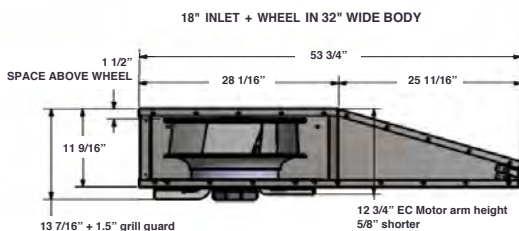
### PERFORMANCE SPECIFICATIONS

MODEL	NUMBER OF SPEEDS	UNIT VOLTAGE (V)	FREQUENCY (HZ)	MAX AIR CAPACITY (CFM)	POWER (HP)	THRUST (N)	RPM	OPERATING TEMPERATURE (°C)
<b>25N, EC MOTOR</b>								
CJF-25N-EC	Variable	1 ~ 120 or 208-280V	60	2500	1	23	300-1200	-15 - +40°C
<b>50N, SINGLE SPEED</b>								
CJF-50N-1	1	3~208/230/460 or 575	60	3649	2	45	1750	-25 - +40°C
<b>50N, 2 SPEED</b>								
CJF-50N-2	2	3~208/230/460 or 575	60	3649 / 1825	2	45 / 15	1750/882	-25 - +40°C
<b>85N, SINGLE SPEED</b>								
CJF-85N-1	1	3~208/230/460 or 575	60	5200	3	80	1200	-25 - +40°C
<b>85N, Permanent Magnet Motor with VFD</b>								
CJF-85N-1	VFD	3~208/230	60	5378	3	80	300-1140	-25 - +40°C

### DIMENSIONS



MODEL	A	B	C	H (DISCHARGE)	K	WEIGHT
CJF-25N-EC	11 9/16"	53 3/4"	32"	3 1/2"	15"	200 lbs
CJF-50N-1	11 9/16"	53 3/4"	32"	3 1/2"	15"	215 lbs
CJF-50N-2	11 9/16"	53 3/4"	32"	3 1/2"	15"	215 lbs
CJF-85N-1	15 9/16"	61 11/16"	40"	4 1/2"	21"	400 lbs



# FANBOS

This economic, high volume low speed fan design is ideal for circulating air in Industrial and Commercial applications and can help save energy year round.



CP96PG/CP120PG



NEW

CP96WH/CP120WH



NEW

CP96-LEDBK  
Complete with light kit



NEW

CP96BK/CP120BK

The FANBOS blankets a very large area by constantly moving air to create an expansive comfort zone. As a result, the big ceiling fan can create an evaporative cooling effect of three to four degrees throughout the facility. During the heating season, the FANBOS can destratify uneven temperatures that can be in excess of fifteen degrees from ceiling to floor. This results in significant energy savings since the heating system cycles less frequently.

### OPTIONAL 1000 LUMENS LIGHT KITS



LK-CPPG - Grey



LK-CPWH - White



LK-CPBK - Matte Black

## FEATURES

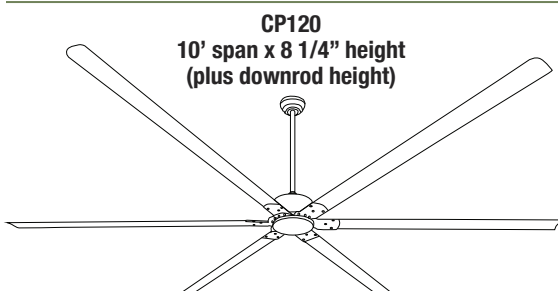
- Six aluminum airfoils contoured for maximum air movement
- DC motor for quiet performance and low operating cost
- 5 speed forward and reverse with remote control (wall mountable)
- Control multiple fans with one remote within 50'
- 1/4" powder-coated steel and anodized aluminum chassis resists rusting and corrosion even in cold and damp environments
- Standard with a 1" diameter 12" downrod mount. Optional 24" and 36" long downrods are available to purchase
- Easy installation with standard ball hanger design
- 48" lead wires

- 120 volt
- Damp rated
- Available in grey, white and matte black finishes
- CP96-LEDBK comes complete with light kit
- Title-20 certified
- 5 year warranty

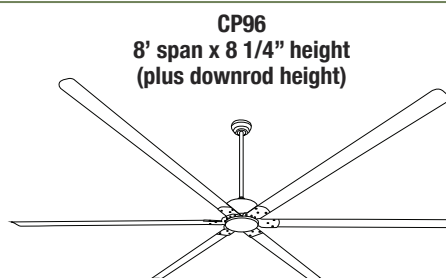
## PERFORMANCE SPECIFICATIONS

CP120						
SPEED	RPM	CFM	CFM/W	WATTS	AMPS	EFFICIENCY
HIGH SPEED	69	20693	335	61.8	0.9	565 CFM/W
LOW SPEED	32	11087	1827	9.1	0.1	
CP96						
HIGH SPEED	105	16729	281	61.6	0.9	487 CFM/W
LOW SPEED	49	10292	1711	6.0	0.1	

## DIMENSIONS



CP120  
10' span x 8 1/4" height  
(plus downrod height)



CP96  
8' span x 8 1/4" height  
(plus downrod height)

### DownRods

24" L24" x 1" dia.



DR24-CPPG Painted grey



DR24-CPBK Matte black



DR24-CPWH White

36" L36" x 1" dia.



DR36-CPPG Painted grey



DR36-CPBK Matte black



DR36-CPWH White



COMPLETE WITH  
5 SPEED CONTROL

# TRI-LITE COMMERCIAL EC

Economic, direct drive, high volume low speed fan ideal for industrial & commercial settings.



Operating on a 1.35 HP EC motor, minimal power consumption is combined with impressive air volumes to create the highly efficient Tri-Lite Commercial EC HVLS Fan.

Tri-Lite HVLS fans blanket a very large area by constantly moving air to create an expansive comfort zone. As a result, the big ceiling fan can create an evaporative cooling effect of three to four degrees throughout the facility.

During the heating season, the Tri-Lite HVLS fan technology can destratify uneven temperatures that can be in excess of fifteen degrees from ceiling to floor. This results in significant energy savings since the heating system cycles less frequently.

## FEATURES

- Equipped with three extruded anodized, high performance E420 design aluminum airfoils. Contoured for maximum air movement so environments become cooler faster.
- Three wingtip fences constructed of nylon 66 redirect outward airflow into downward airflow to improve and direct airflow downwards.
- 1/4" powder-coated steel and anodized aluminum chassis resists rusting and corrosion even in cold and damp environments.
- Direct drive system allows this fan to operate incredibly quiet. Totally enclosed direct drive, IP65 rated ECM motor. Onboard VFD is factory assembled and programmed for minimum start/stop torque loads.
- Quiet Performance & Minimal Maintenance.
- Conforms to CSA Standard 22.2# 133 and UL507.



## PERFORMANCE SPECIFICATIONS

MODEL	DIAMETER	VOLTAGE (VAC)	MAX RPM	MOTOR FLA	PHASE	HP (KW)	AREA COVERED (sqft)	MAX EFFECTIVE DIAMETER (ft)	WEIGHT*** (lbs)
3L07MPEC-V*-P**	7'	120-460V (50/60hz)	204	5.2	1-3	1.35 (1.0)	3925	70	98
3L08MPEC-V*-P**	8'	120-460V (50/60hz)	156	5.2	1-3	1.35 (1.0)	5024	80	100

\* Replace V with Input Voltage 115, 230 or 460. IE: 3L10MPEC-230-3.

\*\* Replace P with 1 (Single Phase) or 3 (Three Phase)

\*\*\*Based on standard 1' extension bar

Please note: Direct drive models are not 208 Volt 3 phase capable.

Note: Required controller sold separately. See HVLS controllers page

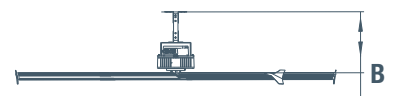
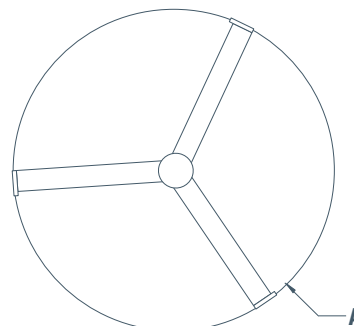
## DIMENSIONS

MODEL	A	B***
3L07MPEC-V*-P**	7'	22.25"
3L08MPEC-V*-P**	8'	22.25"

\* Replace V with Input Voltage 115, 230 or 460. IE: 3L10MPEC-230-3.

\*\* Replace P with 1 (Single Phase) or 3 (Three Phase)

\*\*\*Based on standard 1' extension bar



# TRI-LITE ECONOMIC HVLS FANS

This economic, geared drive, high volume low speed fan design is ideal for industrial & commercial settings.

Operating on a 1.0 HP gear motor, minimal power consumption is combined with impressive air volumes to create the highly efficient Tri-Lite 3L economic geared drive HVLS fan.

Tri-Lite HVLS fans blanket a very large area by constantly moving air to create an expansive comfort zone. As a result, the big ceiling fan can create an evaporative cooling effect of three to four degrees throughout the facility.

During the heating season, the Tri-Lite HVLS fan technology can destratify uneven temperatures that can be in excess of fifteen degrees from ceiling to floor. This results in significant energy savings since the heating system cycles less frequently

## FEATURES Conforms to CSA Standard 22.2# 133 and UL507

- Equipped with three high performance STOL design airfoils constructed of precision 6005-T5 extruded anodized aluminium alloy. Contoured for maximum air movement.
- Three wingtip fences constructed of nylon 66 redirect outward airflow into downward airflow to improve and direct airflow downwards.
- 1/4" powder-coated steel and anodized aluminum chassis resists rusting and corrosion even in cold and damp environments.
- Totally enclosed, fan cooled (TEFC) IP55 motor with precision finished gearbox for low noise and long service life. Sealed with lifetime synthetic oil. Robust 3-inch output shaft for strength with nylon bushing on input.
- Quiet Performance & Minimal Maintenance



## PERFORMANCE SPECIFICATIONS

MODEL NUMBER	DIAMETER	NOMINAL MOTOR	VOLTS	MAX RPM	FLA	AREA OF INFLUENCE	NOISE LEVEL	WEIGHT***
3L12-V*-P**	12 Ft.	0.75 kW (1.0 HP) - 48/62hz	99-660	105	1.69-3.38	120 Ft.	45 dBA	223 lbs.
3L14-V*-P**	14 Ft.	0.75 kW (1.0 HP) - 48/62hz	99-660	86	1.69-3.38	140 Ft.	45 dBA	229 lbs.
3L16-V*-P**	16 Ft.	0.75 kW (1.0 HP) - 48/62hz	99-660	73	1.69-3.38	160 Ft.	45 dBA	235 lbs.
3L18-V*-P**	18 Ft.	0.75 kW (1.0 HP) - 48/62hz	99-660	49	1.69-3.38	180 Ft.	45 dBA	241 lbs.
3L20-V*-P**	20 Ft.	0.75 kW (1.0 HP) - 48/62hz	99-660	49	1.69-3.38	200 Ft.	45 dBA	247 lbs.
3L24-V*-P**	24 Ft.	0.75 kW (1.0 HP) - 48/62hz	99-660	42	1.69-3.38	240 Ft.	45 dBA	260 lbs.

\* Replace V with Input Voltage 115, 230 or 460. IE: 3L24-230-3.

\*\* Replace P with 1 (Single Phase) or 3 (Three Phase)

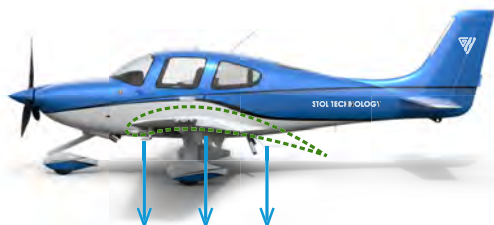
\*\*\*Based on standard 1' extension bar

**Note:** Required controller sold separately. See HVLS controllers page

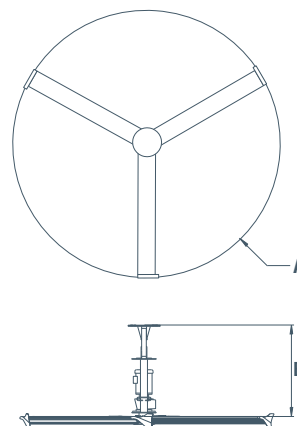
## THE S.T.O.L. ADVANTAGE

Tri-Lite airfoils are engineered with S.T.O.L. (Short Take Off & Landing) Technology to obtain the greatest amount of lift at slower speeds. The more lift the airfoil can generate, the greater amount of air which can be displaced towards the floor.

Due to an increase of lift created by the airfoil, Tri-Lite fans can operate at lower speeds with less power consumption and produce a higher distribution of airflow than other styles of airfoils.



## DIMENSIONS



MODEL NUMBER	A	B***
3L12-V*-P**	12'	44"
3L14-V*-P**	14'	44"
3L16-V*-P**	16'	46"
3L18-V*-P**	18'	49"
3L20-V*-P**	20'	51"
3L24-V*-P**	24'	55"

\* Replace V with Input Voltage 115, 230 or 460. IE: 3L08EC-230-3.

\*\* Replace P with 1 (Single Phase) or 3 (Three Phase)

\*\*\*Based on standard 1' extension bar



# TRI-LITE DIRECT DRIVE HVLS FANS

This economic, direct drive, high volume low speed fan design is ideal for industrial & commercial settings.



Operating on a 1.3 HP EC motor, minimal power consumption is combined with impressive air volumes to create the highly efficient Tri-Lite 3L Direct Drive HVLS Fan.

Tri-Lite HVLS fans blanket a very large area by constantly moving air to create an expansive comfort zone. As a result, the big ceiling fan can create an evaporative cooling effect of three to four degrees throughout the facility.

During the heating season, the Tri-Lite HVLS fan technology can destratify uneven temperatures that can be in excess of fifteen degrees from ceiling to floor. This results in significant energy savings since the heating system cycles less frequently.

## FEATURES Conforms to CSA Standard 22.2# 133 and UL507

- Equipped with three extruded anodized, high performance E420 design aluminum airfoils. Contoured for maximum air movement, so environments become cooler faster.
- Three wingtip fences constructed of nylon 66 redirect outward airflow into downward airflow to improve and direct airflow downwards.
- 1/4" powder-coated steel and anodized aluminum chassis resists rusting and corrosion even in cold and damp environments.
- Direct drive system allows this fan to operate incredibly quiet. Totally enclosed direct drive, IP65 rated ECM motor. Onboard VFD is factory assembled and programmed for minimum start/stop torque loads.
- Quiet Performance & Minimal Maintenance



## PERFORMANCE SPECIFICATIONS

MODEL NUMBER	DIAMETER	NOMINAL MOTOR	VOLTS	MAX RPM	FLA	AREA OF INFLUENCE	NOISE LEVEL	WEIGHT***
3L16EC-V*-P**	16 Ft	1 kW (1.35 HP) - 50/60hz	198-480	73	5.2	160 Ft.	35 dBA	255 lbs.
3L18EC-V*-P**	18 Ft	1 kW (1.35 HP) - 50/60hz	198-480	55	5.2	180 Ft.	35 dBA	260 lbs.
3L20EC-V*-P**	20 Ft	1 kW (1.35 HP) - 50/60hz	198-480	50	5.2	200 Ft.	35 dBA	265 lbs.
3L24EC-V*-P**	24 Ft	1 kW (1.35 HP) - 50/60hz	198-480	43	5.2	240 Ft.	35 dBA	270 lbs.

\* Replace V with Input Voltage 115, 230 or 460. IE: 3L08EC-230-3.

\*\* Replace P with 1 (Single Phase) or 3 (Three Phase)

\*\*\*Based on standard 1' extension bar

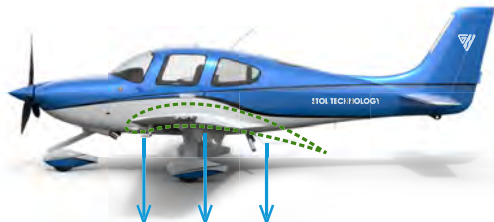
Please note: Direct drive models are not 208 Volt 3 phase capable.

Note: Required controller sold separately. See HVLS controllers page

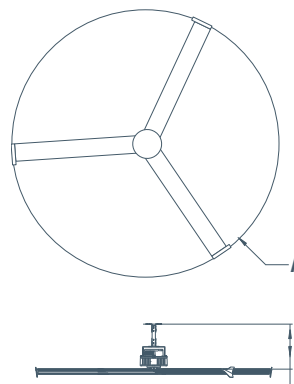
## THE S.T.O.L. ADVANTAGE

Tri-Lite airfoils are engineered with S.T.O.L. (Short Take Off & Landing) Technology to obtain the greatest amount of lift at slower speeds. The more lift the airfoil can generate, the greater amount of air which can be displaced towards the floor.

Due to an increase of lift created by the airfoil, Tri-Lite fans can operate at lower speeds with less power consumption and produce a higher distribution of airflow than other styles of airfoils.



## DIMENSIONS



MODEL NUMBER	A	B***
3L16EC-V*-3**	16'	40"
3L18EC-V*-3**	18'	43"
3L20EC-V*-3**	20'	45"
3L24EC-V*-3**	24'	49"

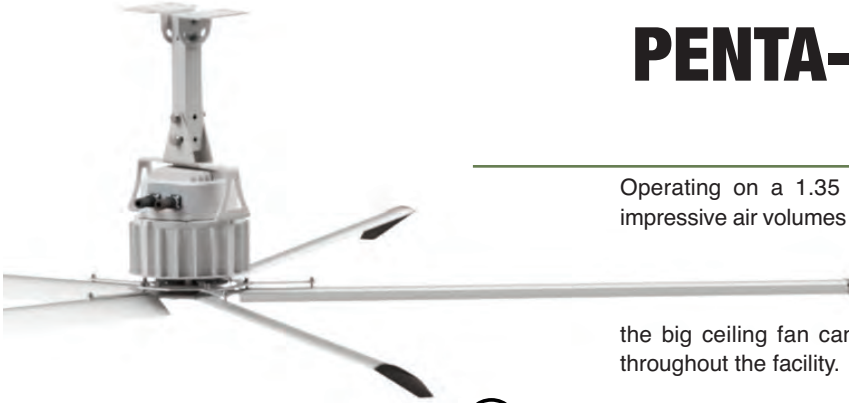
\* Replace V with Input Voltage 115, 230 or 460. IE: 3L08EC-230-3.

\*\* Replace P with 1 (Single Phase) or 3 (Three Phase)

\*\*\*Based on standard 1' extension bar

# PENTA-LITE COMMERCIAL EC

Economic, direct drive, high volume low speed fan  
ideal for industrial & commercial settings.



Operating on a 1.35 HP EC motor, minimal power consumption is combined with impressive air volumes to create the highly efficient Penta-Lite Commercial EC HVLS Fan.

Penta-Lite HVLS fans blanket a very large area by constantly moving air to create an expansive comfort zone. As a result, the big ceiling fan can create an evaporative cooling effect of three to four degrees throughout the facility.

During the heating season, the Penta-Lite HVLS fan technology can destratify uneven temperatures that can be in excess of fifteen degrees from ceiling to floor. This results in significant energy savings since the heating system cycles less frequently.

## FEATURES

- Equipped with five extruded anodized, high performance E420 design aluminum airfoils. Contoured for maximum air movement so environments become cooler faster.
- Five wingtip fences constructed of nylon 66 redirect outward airflow into downward airflow to improve and direct airflow downwards.
- 1/4" powder-coated steel and anodized aluminum chassis resists rusting and corrosion even in cold and damp environments.
- Direct drive system allows this fan to operate incredibly quiet. Totally enclosed direct drive, IP65 rated ECM motor. Onboard VFD is factory assembled and programmed for minimum start/stop torque loads.
- Quiet Performance & Minimal Maintenance.
- Conforms to CSA Standard 22.2# 133 and UL507.



## PERFORMANCE SPECIFICATIONS

MODEL	DIAMETER	VOLTAGE (VAC)	MAX RPM	MOTOR FLA	PHASE	HP (KW)	AREA COVERED (sqft)	MAX EFFECTIVE DIAMETER (ft)	WEIGHT*** (lbs)
5L07EC-V*-P**	7'	120-460 V (50/60hz)	170	5.2	1-3	1.35 (1.0)	3,925	70	103
5L08EC-V*-P**	8'	120-460 V (50/60hz)	130	5.2	1-3	1.35 (1.0)	5,024	80	105
5L10EC-V*-P**	10'	120-460 V (50/60hz)	85	5.2	1-3	1.35 (1.0)	7,850	100	110
5L12EC-V*-P**	12'	120-460 V (50/60hz)	80	5.2	1-3	1.35 (1.0)	11,304	120	114
5L14EC-V*-P**	14'	120-460 V (50/60hz)	60	5.2	1-3	1.35 (1.0)	15,386	140	118
5L16EC-V*-P**	16'	120-460 V (50/60hz)	45	5.2	1-3	1.35 (1.0)	20,096	160	122

\* Replace V with Input Voltage 115, 230 or 460. IE: 5L14EC-230-3.

\*\* Replace P with 1 (Single Phase) or 3 (Three Phase)

\*\*\*Based on standard 6-1/2" extension bar

Please note: Direct drive models are not 208 Volt 3 phase capable.

Note: Required controller sold separately. See HVLS controllers page

## DIMENSIONS

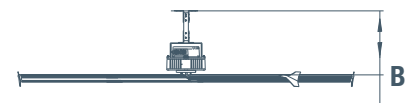
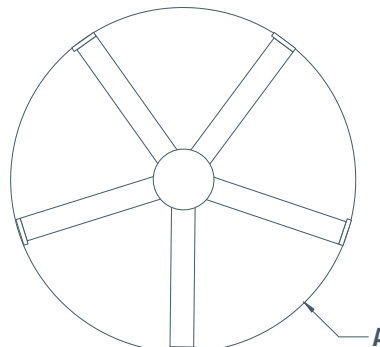
MODEL	A	B***
5L07EC-V*-P**	7'	22.25"
5L08EC-V*-P**	8'	22.25"
5L10EC-V*-P**	10'	22.25"
5L12EC-V*-P**	12'	22.25"
5L14EC-V*-P**	24'	22.25"

\* Replace V with Input Voltage 115, 230 or 460.

IE: 5L14EC-230-3.

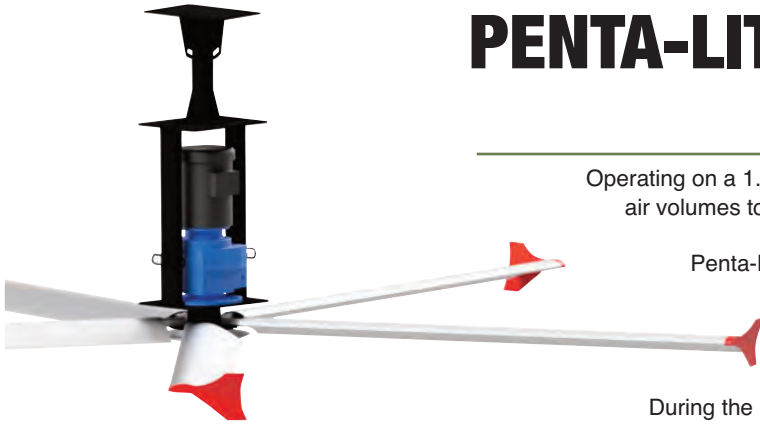
\*\* Replace P with 1 (Single Phase) or 3 (Three Phase)

\*\*\*Based on standard 6-1/2" extension bar



# PENTA-LITE ECONOMIC HVLS FANS

This economic, geared drive, high volume low speed fan design is ideal for industrial & commercial settings.



Operating on a 1.0 HP gear motor, minimal power consumption is combined with impressive air volumes to create the highly efficient Penta-Lite 5L economic geared drive HVLS fan.

Penta-Lite HVLS fans blanket a very large area by constantly moving air to create an expansive comfort zone. As a result, the big ceiling fan can create an evaporative cooling effect of three to four degrees throughout the facility.

During the heating season, the Penta-Lite HVLS fan technology can destratify uneven temperatures that can be in excess of fifteen degrees from ceiling to floor. This results in significant energy savings since the heating system cycles less frequently.

## FEATURES Conforms to CSA Standard 22.2# 133 and UL507

- Equipped with five high performance STOL design airfoils constructed of E420 non-anodized aluminium. Contoured for maximum air movement.
- Factory programmed Variable Frequency Drive (VFD) in remote mounted enclosure. Includes disconnect switch and fuse protection.
- 1/4" powder-coated steel and anodized aluminum chassis resists rusting and corrosion even in cold and damp environments.
- Open Drip Proof (ODP) motor with precision finished gearbox for low noise and long service life. Sealed with lifetime synthetic oil. Robust 3-inch output shaft for strength with nylon bushing on input.
- Quiet Performance & Minimal Maintenance



## PERFORMANCE SPECIFICATIONS

MODEL NUMBER	DIAMETER	NOMINAL MOTOR	VOLTS	MAX RPM	FLA	AREA OF INFLUENCE	NOISE LEVEL	WEIGHT***
5L12-V*-P**	12 Ft.	0.75 kW (1.0 HP) - 48/62hz	99-660	85	1.96-3.38	120 Ft.	45 dBA	246 lbs.
5L14-V*-P**	14 Ft.	0.75 kW (1.0 HP) - 48/62hz	99-660	75	1.96-3.38	140 Ft.	45 dBA	256 lbs.
5L16-V*-P**	16 Ft.	0.75 kW (1.0 HP) - 48/62hz	99-660	64	1.96-3.38	160 Ft.	45 dBA	266 lbs.
5L18-V*-P**	18 Ft.	0.75 kW (1.0 HP) - 48/62hz	99-660	55	1.96-3.38	180 Ft.	45 dBA	277 lbs.
5L20-V*-P**	20 Ft.	0.75 kW (1.0 HP) - 48/62hz	99-660	53	1.96-3.38	200 Ft.	45 dBA	287 lbs.
5L24-V*-P**	24 Ft.	0.75 kW (1.0 HP) - 48/62hz	99-660	42	1.96-3.38	240 Ft.	45 dBA	307 lbs.

\* Replace V with Input Voltage 115, 230 or 460. IE: 5L24-230-3.

\*\* Replace P with 1 (Single Phase) or 3 (Three Phase)

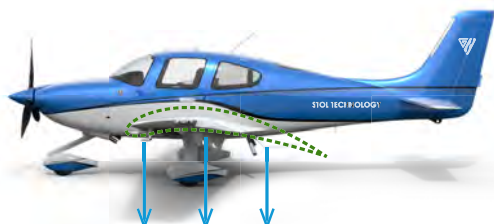
\*\*\*Based on standard 1' extension bar

**Note:** Required controller sold separately. See HVLS controllers page

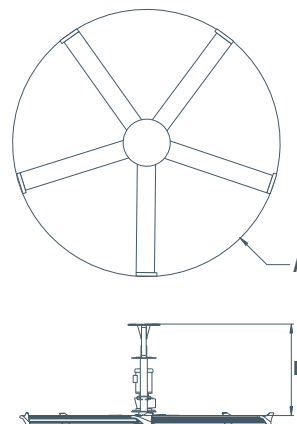
## THE S.T.O.L. ADVANTAGE

Penta-Lite airfoils are engineered with S.T.O.L. (Short Take Off & Landing) Technology to obtain the greatest amount of lift at slower speeds. The more lift the airfoil can generate, the greater amount of air which can be displaced towards the floor.

Due to an increase of lift created by the airfoil, Penta-Lite fans can operate at lower speeds with less power consumption and produce a higher distribution of airflow than other styles of airfoils.



## DIMENSIONS



MODEL NUMBER	A	B***
5L12-V*-P**	12'	44"
5L14-V*-P**	14'	44"
5L16-V*-P**	16'	44"
5L18-V*-P**	18'	49"
5L20-V*-P**	20'	51"
5L24-V*-P**	24'	55"

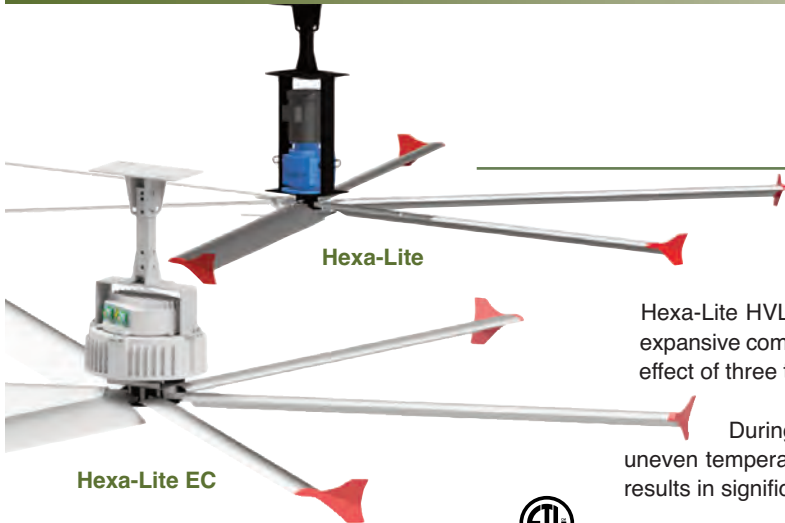
\* Replace V with Input Voltage 115, 230 or 460. IE: 5L24-230-3.

\*\* Replace P with 1 (Single Phase) or 3 (Three Phase)

\*\*\*Based on standard 1' extension bar

# HEXA-LITE HVLS FANS

Economic geared drive and direct drive high volume low speed fans ideal for industrial & commercial settings.



Operating on a 1.35 HP EC motor or a 1.0 HP gear motor, minimal power consumption is combined with impressive air volumes to create the highly efficient Hexa-Lite and Hexa-Lite EC HVLS Fans.

Hexa-Lite HVLS fans blanket a very large area by constantly moving air to create an expansive comfort zone. As a result, the big ceiling fan can create an evaporative cooling effect of three to four degrees throughout the facility.

During the heating season, the Hexa-Lite HVLS fan technology can destratify uneven temperatures that can be in excess of fifteen degrees from ceiling to floor. This results in significant energy savings since the heating system cycles less frequently.



## FEATURES

- Equipped with six extruded anodized, high performance E420 design aluminum airfoils. Contoured for maximum air movement so environments become cooler faster.
- Six wingtip fences constructed of nylon 66 redirect outward airflow into downward airflow to improve and direct airflow downwards.
- 1/4" powder-coated steel and anodized aluminum chassis resists rusting and corrosion even in cold and damp environments.
- Quiet Performance & Minimal Maintenance.
- Conforms to CSA Standard 22.2# 133 and UL507.

## MOTORS

- Direct drive system allows this fan to operate incredibly quiet. Totally enclosed direct drive, IP65 rated ECM motor. Onboard VFD is factory assembled and programmed for minimum start/stop torque loads.
- Totally enclosed, fan cooled (TEFC) IP55 motor with precision finished gearbox for low noise and long service life. Sealed with lifetime synthetic oil.

## PERFORMANCE SPECIFICATIONS

MODEL	DIAMETER (ft)	VOLTAGE (VAC)	MAX RPM	MOTOR FLA	PHASE	HP (KW)	AREA COVERED (sqft)	MAX EFFECTIVE DIAMETER (ft)	WEIGHT*** (lbs)
6L14EC-V*-P**	14	198-460 (50/60hz)	75	5.2	1-3	1.35 (1.0)	15,386	140	315
6L16EC-V*-P**	16	198-460 (50/60hz)	64	5.2	1-3	1.35 (1.0)	20,096	160	325
6L18EC-V*-P**	18	198-460 (50/60hz)	55	5.2	1-3	1.35 (1.0)	25,434	180	335
6L20EC-V*-P**	20	198-460 (50/60hz)	50	5.2	1-3	1.35 (1.0)	31,400	200	345
6L24EC-V*-P**	24	198-460 (50/60hz)	33	5.2	1-3	1.35 (1.0)	45,216	240	355
6L12-V*-P**	12	99-660 (48/62hz)	85	2.3 - 5.2	1-3	1.0 (0.75)	11,304	120	286
6L14-V*-P**	14	99-660 (48/62hz)	75	2.3 - 5.2	1-3	1.0 (0.75)	15,386	140	298
6L16-V*-P**	16	99-660 (48/62hz)	64	2.3 - 5.2	1-3	1.0 (0.75)	20,096	160	310
6L18-V*-P**	18	99-660 (48/62hz)	55	2.3 - 5.2	1-3	1.0 (0.75)	25,434	180	323
6L20-V*-P**	20	99-660 (48/62hz)	50	2.3 - 5.2	1-3	1.0 (0.75)	31,400	200	335
6L24-V*-P**	24	99-660 (48/62hz)	42	2.3 - 5.2	1-3	1.0 (0.75)	45,216	240	380

\*Replace V with Input Voltage 230 or 460. IE: 6L24EC-230-3.

\*\*Replace P with 1 (Single Phase) or 3 (Three Phase)

\*\*\*Based on standard 1' extension bar

\*Replace V with Input Voltage 115, 230, 460 or 575. IE: 6L24-230-3.

\*\*Replace P with 1 (Single Phase) or 3 (Three Phase)

\*\*\*Based on standard 1' extension bar

Please note: Direct drive models are not 208 Volt 3 phase capable.

Note: Required controller sold separately. See HVLS controllers page

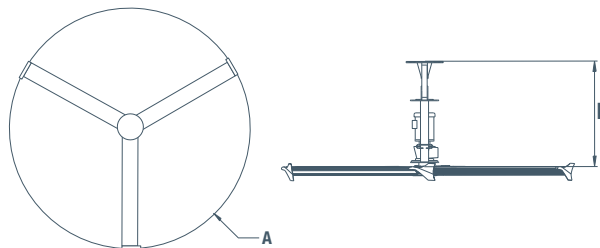
## DIMENSIONS

MODEL	A	B***
6L14EC-V*-P**	14'	33"
6L16EC-V*-P**	16'	33"
6L18EC-V*-P**	18'	33"
6L20EC-V*-P**	20'	33"
6L24EC-V*-P**	24'	33"

\*Replace V with Input Voltage 230 or 460. IE: 6L24EC-230-3.

\*\*Replace P with 1 (Single Phase) or 3 (Three Phase)

\*\*\*Based on standard 1' extension bar



MODEL	A	B***
6L12-V*-P**	12'	39"
6L14-V*-P**	14'	39"
6L16-V*-P**	16'	39"
6L18-V*-P**	18'	39"
6L20-V*-P**	20'	39"
6L24-V*-P**	24'	39"

\*Replace V with Input Voltage 115, 230, 460 or 575. IE: 6L24-230-3.

\*\*Replace P with 1 (Single Phase) or 3 (Three Phase)

\*\*\*Based on standard 1' extension bar

# OCTA-LITE COMMERCIAL EC

Economic, direct drive, high volume low speed fan  
ideal for industrial & commercial settings.



Operating on a 1.35 HP EC motor, minimal power consumption is combined with impressive air volumes to create the highly efficient Octa-Lite Commercial EC HVLS Fan.

Octa-Lite HVLS fans blanket a very large area by constantly moving air to create an expansive comfort zone. As a result, the big ceiling fan can create an evaporative cooling effect of three to four degrees throughout the facility.

During the heating season, the Octa-Lite HVLS fan technology can destratify uneven temperatures that can be in excess of fifteen degrees from ceiling to floor. This results in significant energy savings since the heating system cycles less frequently.

## FEATURES

- Equipped with eight extruded anodized, high performance E420 design aluminum airfoils. Contoured for maximum air movement so environments become cooler faster.
- Eight wingtip fences constructed of nylon 66 redirect outward airflow into downward airflow to improve and direct airflow downwards.
- 1/4" powder-coated steel and anodized aluminum chassis resists rusting and corrosion even in cold and damp environments.
- Direct drive system allows this fan to operate incredibly quiet. Totally enclosed direct drive, IP65 rated ECM motor. Onboard VFD is factory assembled and programmed for minimum start/stop torque loads.
- Quiet Performance & Minimal Maintenance.
- Conforms to CSA Standard 22.2# 133 and UL507.



## PERFORMANCE SPECIFICATIONS

MODEL	DIAMETER	VOLTAGE (VAC)	MAX RPM	MOTOR FLA	PHASE	HP (KW)	AREA COVERED (sqft)	MAX EFFECTIVE DIAMETER	WEIGHT*** (lbs)
8L07EC-V*-P**	7'	120-460V (50/60hz)	140	5.2	1-3	1.35 (1.0)	3,925	70'	108
8L08EC-V*-P**	8'	120-460V (50/60hz)	100	5.2	1-3	1.35 (1.0)	5,024	80'	110
8L10EC-V*-P**	10'	120-460V (50/60hz)	70	5.2	1-3	1.35 (1.0)	7,850	100'	115
8L12EC-V*-P**	12'	120-460V (50/60hz)	65	5.2	1-3	1.35 (1.0)	11,304	120'	119
8L14EC-V*-P**	14'	120-460V (50/60hz)	55	5.2	1-3	1.35 (1.0)	15,386	140'	123
8L16EC-V*-P**	16'	230-460V (50/60hz)	45	5.2	1-3	1.35 (1.0)	20,096	160'	167

\* Replace V with Input Voltage 115, 230 or 460. IE: 8L16EC-230-3.

\*\* Replace P with 1 (Single Phase) or 3 (Three Phase)

\*\*\*Based on standard 6-1/2" extension bar

Please note: Direct drive models are not 208 Volt 3 phase capable.

Note: Required controller sold separately. See HVLS controllers page

## DIMENSIONS

MODEL	A	B***
8L07EC-V*-P**	7'	22.25"
8L08EC-V*-P**	8'	22.25"
8L10EC-V*-P**	10'	22.25"
8L12EC-V*-P**	12'	22.25"
8L14EC-V*-P**	14'	24.50"

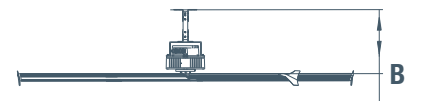
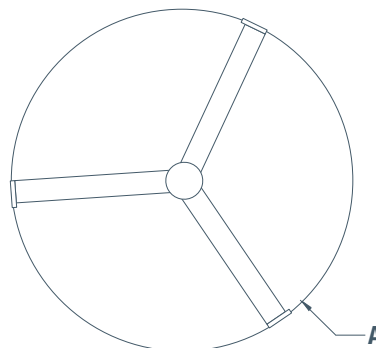
\*Replace V with Input Voltage 115, 230 or 460.

IE: 8L16EC-230-3.

\*\* Replace P with 1 (Single Phase) or

3 (Three Phase)

\*\*\*Based on standard 6-1/2" extension bar



# HVLS CONTROLLERS



## AP-1046 AUTOPILOT MULTI-FAN CONTROLLER

Wall mounted controller with 7" LCD touchscreen interface. Web-based controller supports up to 24 fans. The included mobile controller app allows full control of all your fans from anywhere on or off your wifi network.



## RC-1077 RADAR CONTROLLER

Digital interface controls all fan functions including programming, fault viewing, and more. Control up to 63 fans individually or as a group. Operate fans for cooling or destratification.



## TF-1047 TOUCH 'N' GO CONTROLLER

Operate a single fan in forward / reverse with 0-100% speed control. Easily mounts to wall or electric gang box. Fully digital interface with password lockout capability. Includes 50 ft. of 4-core cable for installation.



## VLD-1069 VLD CONTROLLER

Easily mounts to wall for controlling each fan individually via an economic digital interface.



## SY-1034-1 SINGLE YOKE CONTROL

Includes Fwd/Off/Rev switch and 0-10 speed pot to control fan speed. 100 Ft., 6-core shielded cable. One per fan required.



## DY-1034-2 DOUBLE YOKE CONTROL

Includes Fwd/Off/Rev switch and 0-10 speed pot to control fan speed. Nema 4X. 2) 100 Ft., 6-core shielded cables. One per two fans required.



## TY-1034-3 TRIPLE YOKE CONTROL

Includes Fwd/Off/Rev switch and 0-10 speed pot to control fan speed. 3) 100 Ft., 6-core shielded cables. One per three fans required.



## UL-1067 ULTRALITE CONTROL

Easily mounts to wall for controlling each fan individually. Allows operation of the fan for cooling and destratification.

# TRI-LITE EC SERIES CONTROLLERS



## SY-1034-1 SINGLE YOKE CONTROL

Includes Fwd/Off/Rev switch and 0-10 speed pot to control fan speed. 100 Ft., 6-core shielded cable. One per fan required.



## DY-1034-2 DOUBLE YOKE CONTROL

Includes Fwd/Off/Rev switch and 0-10 speed pot to control fan speed. Nema 4X. 2) 100 Ft., 6-core shielded cables. One per two fans required.



## TY-1034-3 TRIPLE YOKE CONTROL

Includes Fwd/Off/Rev switch and 0-10 speed pot to control fan speed. 3) 100 Ft., 6-core shielded cables. One per three fans required.



## UL-1067 ULTRALITE CONTROL

Easily mounts to wall for controlling each fan individually. Allows operation of the fan for cooling and destratification.



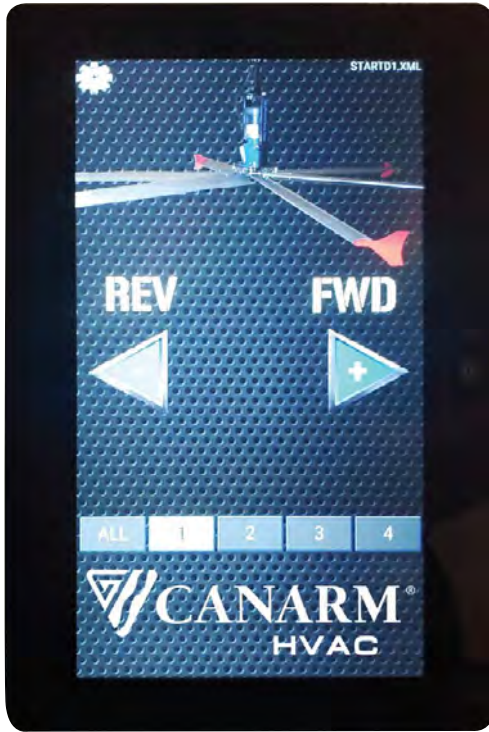
## VLD-1069 VLD CONTROLLER

Easily mounts to wall for controlling each fan individually via an economic digital interface.



# TOUCH 'N' GO PREMIER

## 7" Digital Touch Screen Multi-Fan Controller



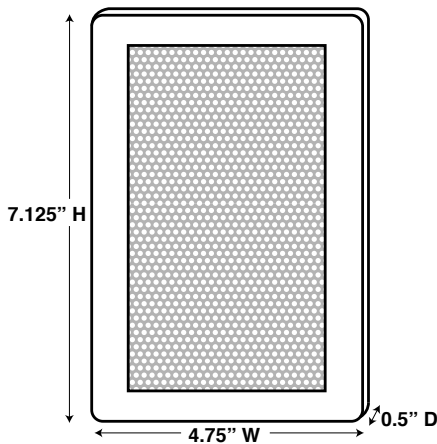
### FEATURES

- Control multiple fans in groups or individually
- Operate your fans in either forward or reverse
- 0-100% speed control
- Fully digital interface
- Visual indicators of speed and direction
- Password lockout capability

### PERFORMANCE SPECIFICATIONS

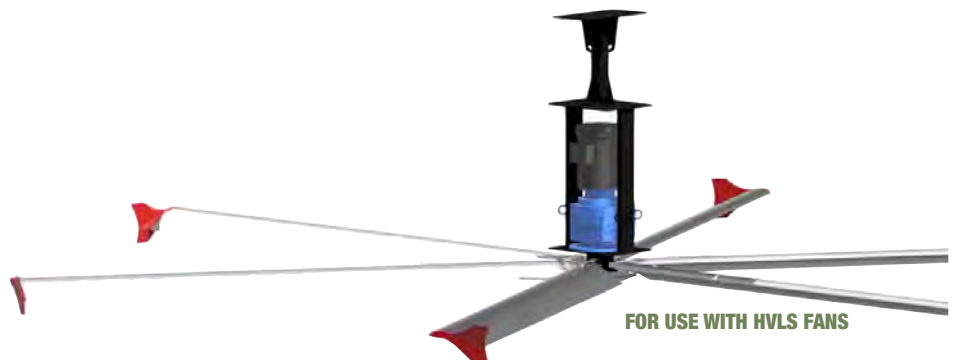
Power Supply	Language Protocol	Touchscreen Size	Enclosure Material	Luminance	Rating	Display Resolution	Connection	Max. Cable Length	Weight
External 12V (supplied)	0-10v signal/Canada	7"	Steel	380	IP30	272 x 480 pixels	4 Core Shielded Wire	1,640 Feet (500 meters)	0.5 lbs

### DIMENSIONS



### PARTS & FANS/CONTROL

- **TGPC-1047-02** - Up to 2 geared and direct drive fans
- **TGPC-1047-04** - Up to 4 geared and direct drive fans
- **TGPC-1047-06** - Up to 6 geared and direct drive fans
- **TGPC-1047-08** - Up to 8 geared and direct drive fans
- **TGPC-1047-10** - Up to 10 geared and direct drive fans



# WINTER ENERGY SAVINGS BY HEAT DESTRATIFICATION

Everyone knows that hot air rises. Buildings with ceilings higher than 8 feet have a significant amount of stored heat at the ceiling that will transfer through the roof and be lost and wasted. The higher the ceiling, the greater amount of energy loss potential from the stored heat at the top of the building. This heat/energy loss can be significantly reduced resulting in lower energy bills by the use of Canarm Ceiling Fans.

There can be as much as 25 degrees Fahrenheit difference between floor and ceiling. Heaters will be working when the floor level temperature is 65°F and there is already 80 degree air at the ceiling ready to be recycled. (See **Figure 1**). The use of Canarm Ceiling Fans in this situation will move this hot air down from the ceiling to create a more even air temperature throughout the building resulting in a more comfortable working environment and potentially reducing your energy bills by as much as 30%. (See **Figure 2**)

## SHIPPING DOOR AIR CURTAIN

Cold air entering a building and heat loss from shipping doors is a significant waste of energy in cold weather. A Canarm ceiling fan can be positioned in front of the door pushing air down and out. When the shipping door is opened, the fan helps hold back cold air and the warm air is kept in.

## HOW TO CHOOSE A FAN

Ceiling fan choice and layout is based on ceiling height and the floor area of the building. As the height of the ceiling increases, larger and more powerful fans are required to achieve destratification.

The floor air coverage of a fan will be greater the higher the ceiling of the building. This is because of the natural cone shape of the air pattern produced by the fan.

Canarm provides two types of fans:

- The traditional ceiling fan, low cost, good performance, great for dry locations.
- High performance, water resistant models - great for more demanding applications with high moisture or greater air velocity requirements. Use the chart to help choose the correct fan size/type and quantity to suit your requirements.

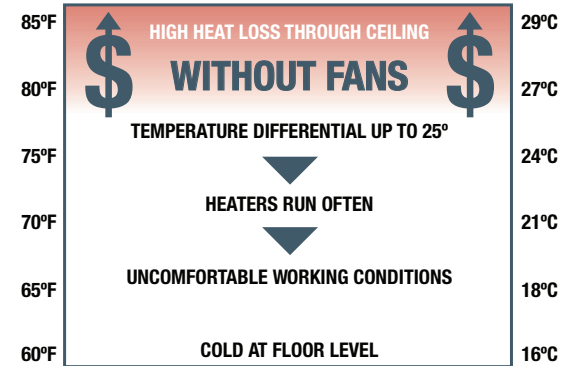
### EXAMPLE:

What size and how many fans would be required for a building that is 100 feet wide x 250 feet long and has as ceiling height of 16 feet? A typical layout for a building is illustrated.

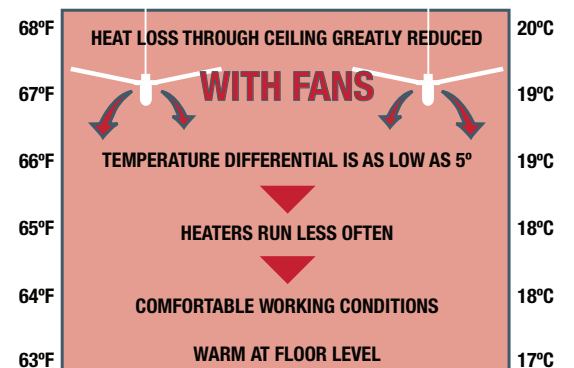
- By using the chart, we see that a ceiling height of 16 feet requires a 56" fan.
- Floor Area of the building = 100 feet wide x 250 feet long = 25,000 square feet.
- From the chart, we know that the Fan Floor Area. Coverage of the 56" model is 1400 square feet.
- Therefore, the number of fans required = Floor Area of building / Fan Floor Area Coverage 25,000 square feet / 1400 square feet = 18 fans.

**Note:** An additional fan should be used about 10 feet in front of each shipping door to act as an air curtain and reduce heating bills in the winter.

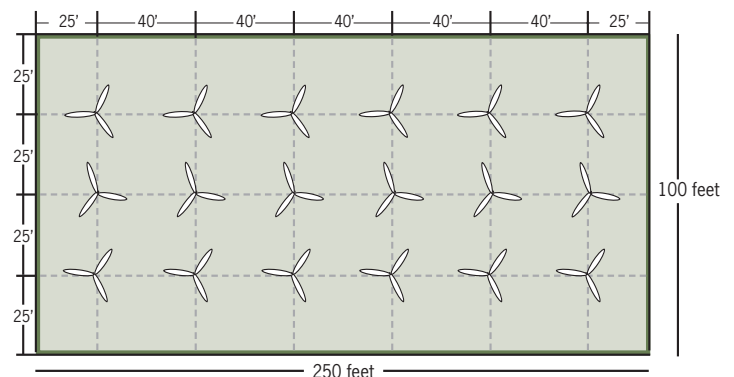
**FIGURE 1**



**FIGURE 2**



CEILING HEIGHT	SUGGESTED FAN SIZE	FAN FLOOR AREA COVERAGE (SQ. Feet)
12' - 13'	48"	950
14' - 15'		1150
16' - 17'	56"	1400
18' - 19'		1600
20' - 21'		1800
22' - 25'		2250
26' - 30'	60"	2700





# DC - INDUSTRIAL CEILING FAN

Ideally suited for circulating air in Industrial and Commercial Applications. Canarm's "DC" Fans help save energy year round.

## IMPORTANT NOTICE:

In order to operate, DC industrial fans **MUST** be installed with our RREM-DCQ014-W wall control. DC fans not for use with MC controls.

## FEATURES

### NEW DC MODELS

- Available with 48", 56", and 60" blade sweeps.
- Cutting edge technology, DC motor.
- High Performance or High Performance Weather Proof.
- Up to 70% more energy efficient.
- 5 speed with forward and reverse.
- Extremely quiet, even at low speeds.
- Extended motor life. 10 yr warranty.
- Faster startup, stop, change speeds and reversing.



- Easy to install, 50% less weight.
- Air Movement and energy consumption  
- 56" DC model 244 CFM/watt vs 106 CFM/watt AC model.
- Title-20 certified
- **NRCAN AND DOE COMPLIANT FOR CANADA AND THE USA.**

## DC vs AC FANS

DC fans are highly energy efficient, up to 70% more energy efficient than AC fans. The initial cost is higher than comparable AC fans but the efficiency of DC fans recovers the cost over time on your energy bill. You will see the best returns in locations with high electricity rates.

You can expect less noise and more speed control with an DC fan. DC fans are extremely quiet, even at low speeds. With the extra control over the fan's speed you can manage airflow better, further reduce power consumption and increase life expectancy of DC fans by not being forced into a fixed higher speed to meet your airflow needs.

DC motors require minimal maintenance and produce less heat compared to AC motors, increasing the lifespan of the fan. Parts can be more expensive for a EC motor however, that is why we back up our motors with a 10 year warranty so you can feel confident in your investment.

## SPECIFICATIONS

MODEL NUMBER	COLOUR	FAN SIZE	CFM	VOLTAGE	AMPS	CFM/W	FORWARD & REVERSE	DOWNROD LENGTH	SHIPPING WEIGHT (LBS)
CP48D11N	WHITE	48"	7370	120	0.6	211	YES	16"	17
CP56D11PN (c/w cord + plug)	WHITE	56"	8449	120	0.6	244	YES	16"	18.5
CP56D11N	WHITE	56"	8449	120	0.6	244	YES	16"	18.5
CP56D10N	BLACK	56"	8449	120	0.6	244	YES	16"	18.5
CP56D1136N	WHITE	56"	8449	120	0.6	244	YES	36"	22

## HIGH PERFORMANCE WEATHER PROOF - WATER RESISTANT (rubber gaskets & stainless screws)

MODEL NUMBER	COLOUR	FAN SIZE	CFM	VOLTAGE	AMPS	CFM/W	FORWARD & REVERSE	DOWNROD LENGTH	SHIPPING WEIGHT (LBS)
CP48DW11N	WHITE	48"	7370	120	0.6	211	YES	16"	17
CP56DW11N	WHITE	56"	8449	120	0.6	244	YES	16"	18.5
CP60DW11N	WHITE	60"	8944	120	0.6	259	YES	16"	18.5

## CONTROL

### RREM-DCQ014-W

- Wall mount speed control for DC motors only.
- Controls up to 5 DC fans.
- ON/OFF, 5-speed forward & reverse.

Downrods available as accessories in 8" or 36" sizes. See next page.



## IMPORTANT NOTICE:

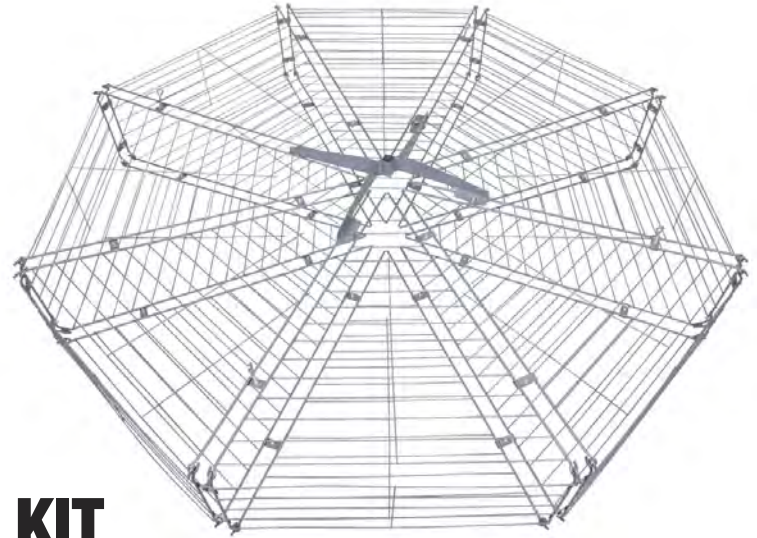
In order to operate, DC industrial fans **MUST** be installed with our RREM-DCQ014-W wall control.

**DC fans not for use with MC controls.**

# INDUSTRIAL FAN GUARD

Great for factories, farms, schools and warehouses.

- 66.5" W x 13" H
- Knockdown construction.
- Installs in minutes.
- Use with Canarm 48" & 56" ceiling fans.
- Painted grey finish.
- Shipping weight - 21 lbs.
- Grey colour



# DOWNRODS & MOUNTING KIT

MODEL	DESCRIPTION
DCR0811	8" Downrod for Industrial Ceiling Fans White, complete with lead wire and safety cable
DCR3611	36" Downrod for Industrial Ceiling Fans White, complete with lead wire and safety cable
DCR3610	36" Downrod for Industrial Ceiling Fans Black, complete with lead wire and safety cable
DCR08WR11	8" Downrod for Industrial Ceiling Fans White, water resistant, complete with lead wire and safety cable
DCR36WR11	36" Downrod for Industrial Ceiling Fans White, water resistant, complete with lead wire and safety cable
DCR36WR10	36" Downrod for Industrial Ceiling Fans Black, water resistant, complete with lead wire and safety cable
CP99	Angular Mounting Kit



DCR3610



DCR0811



DCR3611

# CEILING FAN SPEED CONTROLS

## RREM-DCQ014-W



## IMPORTANT NOTICE:

In order to operate, DC industrial fans MUST be installed with our RREM-DCQ014-W wall control.

## FEATURES

- Wall mount speed control for DC motors only.
- Controls up to 5 DC fans.
- ON/OFF, 5-speed forward & reverse.

# HVF - HIGH VELOCITY FLOOR / TABLE / WALL CIRCULATING FANS

Effectively cools large areas in Factories, Stores, Offices, Restaurants and more

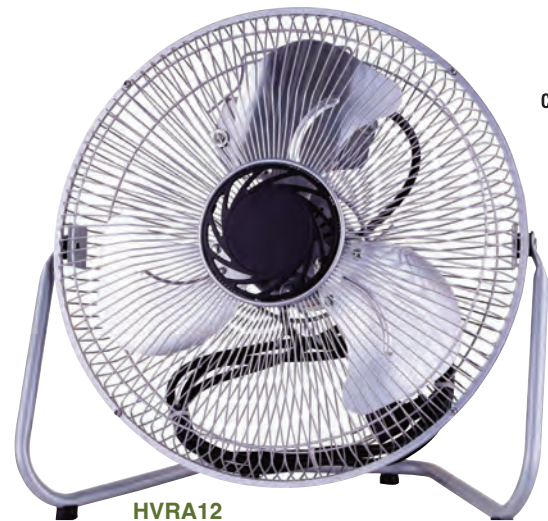
Canarm/LFI's high velocity commercial fans economically provide relief from summer heat by creating a gentle air movement.



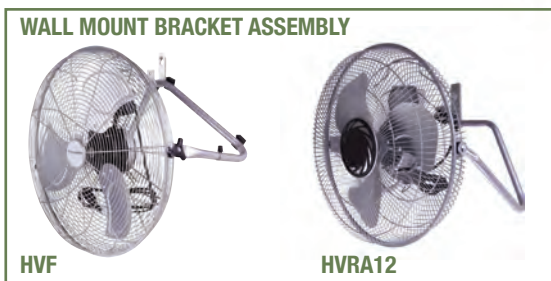
HVF18L & HVF20G

## FEATURES

- Painted silver finish.
- 3 speed dial control.
- Sturdy aluminum blades.
- 12", 18" and 20" sizes available.
- Model HVF20G with 5'9" 120V grounded cord set.
- Models HVRA12 & HVF18L with 6' 120V cord with fuse (2 prong).
- Convenient carrying handle.
- Cord wrap on HVF20G model.
- Ergonomic tilt adjustment knobs.
- Complete with wall mount bracket.
- OSHA guard.
- Easy assembly - no tools required.



HVRA12



WALL MOUNT BRACKET ASSEMBLY

HVF

HVRA12

## PERFORMANCE SPECIFICATIONS

MODEL	HIGH SPEED						MEDIUM SPEED						LOW SPEED					
	CFM / CFM/W	AMPS	WATTS	RPM	DB(A)	VELOCITY @ 5ft (FT/MIN)	CFM / CFM/W	AMPS	WATTS	RPM	DB (A)	VELOCITY @ 5ft (FT/MIN)	CFM / CFM/W	AMPS	WATTS	RPM	DB(A)	VELOCITY @ 5ft (FT/MIN)
HVRA12	1,500	0.57	50	1450	48	284	1,200	0.52	42	1275	42	254	800	0.37	30	966	40	191
HVF18L	3,815	0.85	98	1530	58	586	2,828	0.76	80	1360	55	550	2,540	0.57	67	1120	50	480
HVF20G	5160 / 30.0	1.37	172	1332	62	866	4654 / 31.0	1.20	150	1187	57	782	4178 / 32.5	1.03	128	1050	53	675

MODEL	BLADE DIAMETER	DESCRIPTION	DIMENSIONS	H.P.	WEIGHT
HVRA12	12"	3 Speed Floor/Table Fan	15 3/4" W x 7 1/2" D x 15" H	1/10	11 lbs
HVF18L	18"	3 Speed Floor/Table Fan	20 5/8" W x 8 1/4" D x 20 1/10" H	1/16	12.3 lbs
HVF20G	20"	3 Speed Floor/Table Fan	23 3/4" W x 10 1/4" D x 23" H	1/4	24 lbs



# LF - HIGH VELOCITY CEILING OR WALL FAN

Suitable for wet locations.

## FEATURES

- Ceiling or wall mount high velocity fan.
- 18" blade diameter.
- Commercial duty 3 speed motor with pull chain control.
- All metal construction.
- 1/8 hp motor.
- Epoxy coated OSHA guard.
- 9' heavy duty 120V cord with cord wrap.
- Steel wall (ceiling) mount assembly.

## PERFORMANCE SPECIFICATIONS

MODEL	SIZE	H.P.	VOLTS	AMPS	Phs	RPM	SPEED	CFM	CMF / W	WEIGHT (LBS)
LF18HVW	18"	1/8	120	1.41/1.22/1.01	1	1449/1273/1024	3	5043/4394/3540	30.9 / 30.4 / 29.1	26



HAF18-ZO

# HAF - HORIZONTAL AIR FLOW FANS

## FEATURES

- Available in 14", 16", 18", 20" and 24" sizes.
- Totally enclosed motor on all units except the OSC models (which are ODP).
- Fans are standard with a Bright Zinc plated OSHA guard.
- Totally enclosed motors.
- 120V grounded cord and plug
- Most models available in White as an alternate to the Zinc as a special order. Call factory for details.



HAF18-ZO-WOSC

## HAF18 FEATURES

- 18" horizontal air flow fan.
- Totally enclosed motor.
- Powder coated guard has wide spacing to eliminate the build up of debris.
- 115V, 8 foot grounded cord & plug.
- Zinc dipped OSHA guard option available.



HAF18

## PERFORMANCE SPECIFICATIONS

MODEL NUMBERS	DESCRIPTION	VOLTAGE	MOTOR HP	WATT	AMPS	CFM	RPM	SPEED	SPEED CONTROL
HAF18	18" Greenhouse fan powder coated with Hanging Bracket	120V	1/8	130	1.1	2350	1550	Variable	Optional
HAF14-ZO*	14" Greenhouse fan Zinc dipped with Hanging Bracket	120V	1/16	60	0.6	1620	1550	Variable	Optional
HAF16-ZO*	16" Greenhouse fan Zinc dipped with Hanging Bracket	120V	1/8	60	1.1	2250	1550	Variable	Optional
HAF18-ZO	18" Greenhouse fan Zinc dipped with Hanging Bracket	120V	1/8	130	1.1	2350	1550	Variable	Optional
HAF20-ZO*	20" Greenhouse fan Zinc dipped with Hanging Bracket	120V	1/8	130	1.2	3200	1550	Variable	Optional
HAF24-ZO*	24" Greenhouse fan Zinc dipped with Hanging Bracket	120V	1/4	200	1.8	4000	1550	Variable	Optional
HAF16-ZO-WOSC*	16" Greenhouse Oscillating fan Zinc dipped with Wall Mount Bracket	120V	1/16	60	0.6	2200	1550/1490/1280	Three	Dial
HAF18-ZO-WOSC*	18" Greenhouse Oscillating fan Zinc dipped with Wall Mount Bracket	120V	1/8	120	1.1	2350	1650/1560/1300	Three	Dial
HAF20-ZO-WOSC*	20" Greenhouse Oscillating fan Zinc dipped with Wall Mount Bracket	120V	1/8	130	1.2	3100	1600/1500/1250	Three	Dial
HAF24-ZO-WOSC*	24" Greenhouse Oscillating fan Zinc dipped with Wall Mount Bracket	120V	1/4	200	1.8	3500	1550/1460/1130	Three	Dial

\*Special order. Call for availability.

# CA - INDUSTRIAL GRADE CIRCULATING FANS

**NOTE: CA FAN HEADS REPLACE CFH FAN HEADS**

Canarm LFI's CA circulating fans economically provide relief from summer heat by creating a gentle air movement. They effectively cool large areas in factories, stores, restaurants and other public places. These fans have a low RPM motor which allows them to operate quietly.

The Floor Pedestal type fans come with a sturdy base and are supported by an adjustable tubular steel post which provides maximum stability. The Wall Mount fans are anchored with a sturdy wall bracket. There is also an optional ceiling mount.

On all fan models, the fan assembly can be tilted on a swivel bracket to direct air stream upwards or downwards. Available with oscillating motor on the pedestal and wall models.

## FEATURES

- Rugged, high performance model.
- Available in 24" & 30" sizes.
- 1/4 HP, 3 speed, totally enclosed ball bearing motor with thermal overload protection.
- Fan motor RPM - 1100/950/850.
- Available with oscillating motor on the pedestal and wall models.
- Heavy gauge aluminum, well balanced fan blades.
- Air stream adjustable in all directions.
- Complete with 10', 120V grounded cord set.
- Attractive powder coated front and rear guards, meet OSHA standards.



## PERFORMANCE SPECIFICATIONS

MODEL	FAN SIZE	DESCRIPTION	CFM	CFM / W	VOLT	AMPS	SHIPPING WEIGHT (LBS)
<b>FAN HEAD ONLY</b>							
CA24-C	24"	3 SPEED	8145 / 6795 / 5793	32.7 / 31.9 / 28.1	120	2.4	40
CA24OSC-C		3 SPEED OSCILLATING	8145 / 6795 / 5793	32.7 / 31.9 / 28.1	120	2.4	40
CA30-C	30"	3 SPEED	11100 / 9068 / 7658	44.0 / 42.9 / 37.1	120	2.5	50
CA30OSC-C		3 SPEED OSCILLATING	11100 / 9068 / 7658	44.0 / 42.9 / 37.1	120	2.5	50

### QUICK REFERENCE

Use this table to make sure you order the correct fan replacement parts.

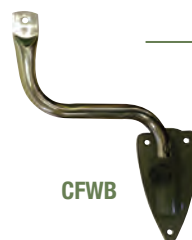
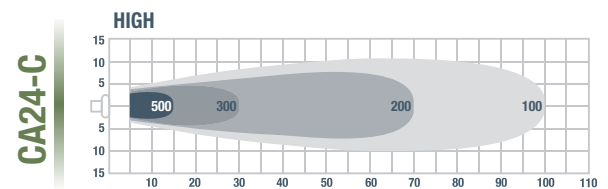
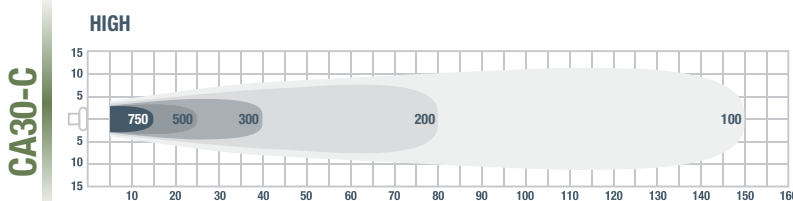
**FAN HEAD MOUNTING ACCESSORIES SHOWN BELOW.**

OLD MODEL	REPLACED WITH
<b>PEDESTAL FANS - OSCILLATING</b>	
CA24POSC-C	CA24OSC-C + CFKPB
CA30POSC-C	CA30OSC-C + CFKPB
<b>PEDESTAL FANS - NON OSCILLATING</b>	
CA24P-C	CA24-C + CFKPB
CA30P-C	CA30-C + CFKPB

OLD MODEL	REPLACED WITH
<b>WALL FANS - OSCILLATING</b>	
CA24WOSC-C	CA24OSC-C + CFWB
CA30WOSC-C	CA30OSC-C + CFWB
<b>WALL FANS - NON OSCILLATING</b>	
CA24W-C	CA24-C + CFWB
CA30W-C	CA30-C + CFWB

## VELOCITY MAPPING CHARTS

These charts indicate the air distribution patterns of the CA fans. They are a graphic illustration of air velocity in feet per minute.



## MOUNTING ACCESSORIES

MODEL	DESCRIPTION	WEIGHT (LBS)
CFKPB	KNOCK DOWN PEDESTAL BASE	36
CFWB	WALL BRACKET	6
CFM	CEILING MOUNT (NON OSCILLATING FANS ONLY)	9

# PBKD / WMKD - COMMERCIAL CIRCULATING FANS

Canarm/LFI's high velocity commercial fans economically provide relief from summer heat by creating a gentle air movement. Pedestal type fans come with a sturdy base and adjustable pole. All fans have a 3 speed motor with industrial grade aluminum blades.

## FEATURES

- Commercial duty circulating fans (Knock Down).
- Painted aluminum blades.
- Standard OSHA guard.
- Motors are thermally protected.
- Available in 24" and 30" stationary and oscillating models.
- Packaged in one box, complete with mounting accessories.
- Complete with 10', 120V grounded plug.

## PERFORMANCE SPECIFICATIONS

FAN SIZE	MODEL NUMBER & WEIGHT (LBS)				DESCRIPTION	H.P.	SUPPLY CFM	CFM / W
	PEDESTAL FAN	WEIGHT (LBS)	WALL MOUNT FAN	WEIGHT (LBS)				
24"	PBKD24-3SP	74	WMKD24-3SP	38	3 Speed	1/4	7805 / 7403 / 6774	43.2 / 41.7 / 36.2
24"	PBKD24-OSC	78	WMKD24-OSC	42	3 Speed Oscillating	1/4	7805 / 7403 / 6774	43.2 / 41.7 / 36.2
30"	PBKD30-3SP	80	WMKD30-3SP	46	3 Speed	1/4	10205 / 9855 / 9447	57.4 / 51.5 / 45.3
30"	PBKD30-OSC	84	WMKD30-OSC	49	3 Speed Oscillating	1/4	10205 / 9855 / 9447	57.4 / 51.5 / 45.3



# CCU - COMMERCIAL CIRCULATING FANS

Canarm/LFI's high velocity commercial fans economically provide relief from summer heat by creating a gentle air movement. Pedestal type fans come with a sturdy base and adjustable pole. All fans have a 3 speed motor with industrial grade aluminum blades.

## FEATURES

- Commercial duty circulating fans (Knock Down).
- 20" stationary models.
- Adjustable pedestal (54"-64").
- 3 speeds.
- Painted aluminum blades.
- Standard OSHA guard.
- Motors are thermally protected.
- Complete with 10', 120V grounded plug.
- 20" pedestal complete with wheel kit.

## PERFORMANCE SPECIFICATIONS

MODEL	FAN SIZE	DESCRIPTION	HP	SUPPLY CFM	CFM / W	WEIGHT (lbs)
CCUP20	20"	3 Speed Pedestal Fan	1/4	5513 / 4681 / 3918	28.0 / 27.3 / 25.2	47



# HVR - DRUM FANS

For Heavy Duty Industrial/Commercial applications.  
Canarm/LFI's "HVR" High Velocity Round Portable Fans circulate large volumes of air.

**HVR24**



## FEATURES

- Heavy 18 gauge, powder coated steel housing.
- Factory balanced blade.
- Permanently lubricated, totally enclosed motors.
- 2 speed dial switch on 24" & 36" models.
- Fan drum easily pivots up for directional control with strong locking mechanism.
- Complete with 10', 120V grounded cord.
- Powder coated front and rear guards meet OSHA standards.
- Heavy duty wheel kit makes this fan easy to move.
- 5" (HVR24) and 8" (HVR36) rubber wheels with steel hubs.
- Complete with conversion kit for ceiling mount.

**HVR36**



**COMES WITH CEILING  
MOUNT CONVERSION KIT**



## PERFORMANCE SPECIFICATIONS

MODEL	SIZE	SPEED	HP	RPM	CFM	CFM / W	VOLTS	AMPS	WEIGHT (LBS)
HVR24	24"	2	1/3	973 / 817	6724 / 5641	34.0 / 31.6	120	1.9	43
HVR36	36"	2	1/2	747 / 640	18564 / 16094	33.3 / 33.0	120	4.7	103



CURRENTLY  
ONLY  
AVAILABLE  
IN CANADA



# MCS & MCSA - HIGH STAND INDUSTRIAL MANCOOLERS

Designed to provide cooling effects to large, open areas.

## PERFORMANCE SPECIFICATIONS

### FEATURES

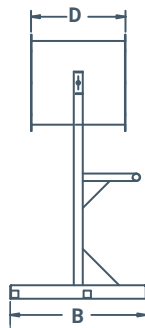
- Drums and motor supports are constructed of heavy gauge steel.
- TEFC continuous duty, ball bearing motors are standard.
- All models are direct drive and available with steel blades or cast aluminum blades.
- Heavy duty, concentric circle, OSHA wire guards are standard on all sizes.
- Consult factory for availability of explosion-proof motors.
- Casters and lift handle are standard, allowing easy maneuverability.
- Fan flow direction on the tube section can easily be rotated 180°.

**Note** Non-stock, made-to-order products are non-returnable and cannot be cancelled.

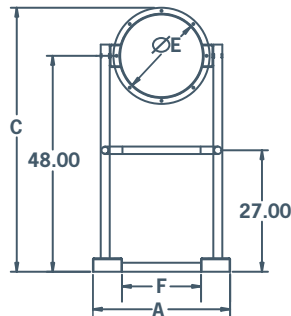
### DIMENSIONS

FAN SIZE	A	B	C	D	E (Tube I.D.)	F
18"	30 1/2"	30 1/4"	58 2/3"	21"	18 3/8"	17 4/7"
24"	36 1/2"	30 1/4"	61 2/3"	21"	24 3/8"	23 4/7"
30"	42 1/2"	30 1/4"	64 2/3"	21"	30 3/8"	29 4/7"
36"	--	--	67 2/3"	27"	36 3/8"	--
42"	--	--	70 2/3"	32"	42 3/8"	--
48"	--	--	73 2/3"	32"	48 3/8"	--

Side View



Front View



MCS STEEL FAN BLADE						
FAN SIZE	MODEL #		RPM	H.P.	MCS CFM	dBA @ 5 Ft
	SINGLE PHASE	THREE PHASE				
	18"	MCS18T10033C	MCS18T30033C*	1140	1/3	2654
MCS18T10050B		MCS18T30050B*	1750	1/2	4016	74
24"	MCS24T10075C	MCS24T30075C*	1140	3/4	6549	73
	MCS24T10100B	MCS24T30100B*	1750	1	6761	81
	MCS24T10300B	MCS24T30300B*	1750	3	9909	84
30"	--	MCS30T30150C*	1140	1.5	11600	79
	MCS30T10500B	MCS30T30500B*	1750	5	17552	90
36"	--	MCS36T30200D*	860	2	16364	80
	--	MCS36T30500C*	1140	5	21692	88
42"	--	MCS42T30500D*	860	5	24499	85
	--	MCS42T30500C*	1140	5	23209	88
48"	--	MCS48T30750D*	860	7.5	35654	89
	--	MCS48T30750C*	1140	7.5	32563	92

MCSA CAST ALUMINUM BLADE						
FAN SIZE	MODEL #		RPM	H.P.	MCSA CFM	dBA @ 5 Ft
	SINGLE PHASE	THREE PHASE				
	18"	MCSA18T10033C	MCSA18T30033C*	1140	1/3	2990
MCSA18T10075B		MCSA18T30075B*	1750	3/4	4590	71
24"	MCSA24T10100C	MCSA24T30100C*	1140	1	6520	69
	MCSA24T10150B	MCSA24T30150B*	1750	1.5	7660	72
	MCSA24T10300B	MCSA24T30300B*	1750	3	11500	79
30"	MCSA30T10100C	MCSA30T30100C*	1140	1	8680	69
	--	MCSA30T30150C*	1140	1.5	11800	73
	MCSA30T10300B	MCSA30T30300B*	1750	3	13300	78
36"	MCSA30T10500B	MCSA30T30500B*	1750	5	18200	82
	--	MCSA36T30200C*	1140	2	14000	76
	--	MCSA36T30300C*	1140	3	19400	77
42"	MCSA36T10500B	MCSA36T30500B*	1750	5	16200	78
	MCSA36T10750B	MCSA36T30750B*	1750	7.5	21500	85
	--	MCSA42T30200D*	860	2	19200	73
48"	--	MCSA42T30300D*	860	3	23210	75
	--	MCSA42T30500C*	1140	5	25500	79
	--	MCSA42T30750C*	1140	7.5	30690	81
	--	MCSA42T31000B*	1750	10	26700	86
	--	MCSA48T30500D*	860	5	29820	78
48"	--	MCSA48T30750D*	860	7.5	35700	80
	--	MCSA48T31000C*	1140	10	39500	84
	--	MCSA48T31500C*	1140	15	47300	86

For three phase motors, substitute "\*" with "M" for 230/460 volt (if 208V required please specify) or "P" for 575 volt  
dBA ratings shown are measured at 0" static pressure and should be used as a guideline only.

### OPTIONS

- Junction box installed on the outside of the fan body.





**CURRENTLY  
ONLY  
AVAILABLE  
IN CANADA**

# MCU & MCUA - LOW STAND INDUSTRIAL MANCOOLERS

Designed to provide cooling effects to large, open areas.

## PERFORMANCE SPECIFICATIONS

### FEATURES

- Drums and motor supports are constructed of heavy gauge steel.
- TEFC continuous duty, ball bearing motors are standard.
- All models are direct drive and available with steel blades or cast aluminum blades.
- Heavy duty, concentric circle, OSHA wire guards are standard on all sizes.
- Consult factory for availability of explosion-proof motors.

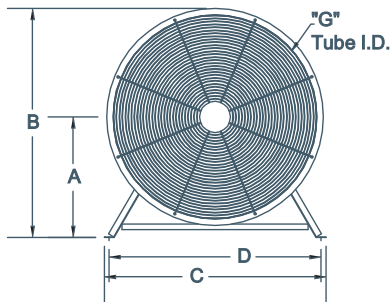


Non-stock, made-to-order products are non-returnable and cannot be cancelled.

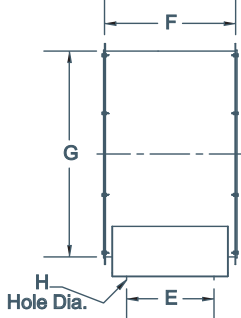
### DIMENSIONS

FAN SIZE	A	B	C	D	E	F	G	H (Hole Diameter)
12"	10 1/4"	18"	16"	14"	10"	17"	12"	7/16"
18"	13 1/4"	24"	23"	21"	11"	18"	18 3/8"	7/16"
24"	16 1/4"	30"	28 1/2"	26 1/2"	13"	21"	24 3/8"	1/2"
30"	19 1/4"	36"	34 1/2"	32 1/2"	13"	21"	30 3/8"	1/2"
36"	22 7/8"	42 5/8"	40 1/2"	38 1/2"	19"	27"	36 3/8"	1/2"
42"	25 3/8"	48 1/8"	46 1/2"	44 1/2"	21"	27"	42 3/8"	5/8"
48"	28 9/16"	55"	53 1/4"	51 1/4"	23"	31"	48 3/8"	5/8"

Front View



Side View



MCU STEEL FAN BLADE						
FAN SIZE	MODEL #		RPM	H.P.	MCU CFM	dBA @ 5 Ft
	SINGLE PHASE	THREE PHASE				
	12"	MCU12T10033C	MCU12T30033C*	1140	1/3	940
MCU12T10033B		MCU12T30033B*	1750	1/3	1422	65
18"	MCU18T10025C	MCU18T30025C*	1140	1/3	2654	64
	MCU18T10050B	MCU18T30050B*	1750	1/2	4016	74
24"	MCU24T10075C	MCU24T30075C*	1140	3/4	6549	73
	MCU24T10100B	MCU24T30100B*	1750	1	6761	81
	MCU24T10300B	MCU24T30300B*	1750	3	9909	84
30"	--	MCU30T30150C*	1140	1.5	11600	79
	MCU30T10500B	MCU30T30500B*	1750	5	17552	90
36"	--	MCU36T30200D*	860	2	16364	80
	--	MCU36T30500C*	1140	5	21692	88
42"	--	MCU42T30500D*	860	5	24499	85
	--	MCU42T30500C*	1140	5	23209	88
48"	--	MCU48T30750D*	860	7.5	35654	89
	--	MCU48T30750C*	1140	7.5	32563	92

MCUA CAST ALUMINUM BLADE						
FAN SIZE	MODEL #		RPM	H.P.	MCUA CFM	dBA @ 5 Ft
	SINGLE PHASE	THREE PHASE				
	12"	MCUA12T10033C	MCUA12T30033C*	1140	1/3	1450
MCUA18T10033C		MCUA18T30033C*	1140	1/3	2990	60
18"	MCUA18T10075B	MCUA18T30075B*	1750	3/4	4590	71
	MCUA24T10100C	MCUA24T30100C*	1140	1	6520	69
	MCUA24T10150B	MCUA24T30150B*	1750	1.5	7660	72
24"	MCUA24T10300B	MCUA24T30300B*	1750	3	11500	79
	MCUA30T10100C	MCUA30T30100C*	1140	1	8680	69
	--	MCUA30T30150C*	1140	1.5	11800	73
30"	MCUA30T10300B	MCUA30T30300B*	1750	3	13300	78
	MCUA30T10500B	MCUA30T30500B*	1750	5	18200	82
	--	MCUA36T30200C*	1140	2	14000	76
	--	MCUA36T30300C*	1140	3	19400	77
36"	MCUA36T10500B	MCUA36T30500B*	1750	5	16200	78
	MCUA36T10750B	MCUA36T30750B*	1750	7.5	21500	85
	--	MCUA42T30200D*	860	2	19200	73
42"	--	MCUA42T30300D*	860	3	23210	75
	--	MCUA42T30500C*	1140	5	25500	79
	--	MCUA42T30750C*	1140	7.5	30690	81
	--	MCUA42T31000B*	1750	10	26700	86
	--	MCUA48T30500D*	860	5	29820	78
48"	--	MCUA48T30750D*	860	7.5	35700	80
	--	MCUA48T31000C*	1140	10	39500	84
	--	MCUA48T31500C*	1140	15	47300	86

For three phase motors, substitute "\*" with "M" for 230/460 volt (If 208V required please specify) or "P" for 575 volt  
dBA ratings shown are measured at 0" static pressure and should be used as a guideline only.

### OPTIONS

- Junction box installed on the outside of the fan body.



# MCY & MCYA - YOKE MOUNT INDUSTRIAL MANCOOLERS

Designed for superior cooling effects for large, open areas.



CURRENTLY ONLY AVAILABLE IN CANADA

## PERFORMANCE SPECIFICATIONS

MCY STEEL FAN BLADE						
FAN SIZE	MODEL #		RPM	H.P.	MCY CFM	dBA @ 5 Ft
	SINGLE PHASE	THREE PHASE				
18"	MCY18T10033C	MCY18T30033C*	1140	1/3	2654	64
	MCY18T10050B	MCY18T30050B*	1750	1/2	4016	74
24"	MCY24T10075C	MCY24T30075C*	1140	3/4	6549	73
	MCY24T10100B	MCY24T30100B*	1750	1	6761	81
	MCY24T10300B	MCY24T30300B*	1750	3	9909	84
30"	--	MCY30T30150C*	1140	1.5	11600	79
	MCY30T10500B	MCY30T30500B*	1750	5	17552	90
36"	--	MCY36T30200D*	860	2	16364	80
	--	MCY36T30500C*	1140	5	21692	88

MCYA CAST ALUMINUM BLADE						
FAN SIZE	MODEL #		RPM	H.P.	MCYA CFM	dBA @ 5 Ft
	SINGLE PHASE	THREE PHASE				
18"	MCYA18T10033C	MCYA18T30033C*	1140	1/3	2990	60
	MCYA18T10075B	MCYA18T30075B*	1750	3/4	4590	71
24"	MCYA24T10100C	MCYA24T30100C*	1140	1	6520	69
	MCYA24T10150B	MCYA24T30150B*	1750	1.5	7660	72
	MCYA24T10300B	MCYA24T30300B*	1750	3	11500	79
30"	MCYA30T10100C	MCYA30T30100C*	1140	1	8680	69
	--	MCYA30T30150C*	1140	1.5	11800	73
	MCYA30T10300B	MCYA30T30300B*	1750	3	13300	78
	MCYA30T10500B	MCYA30T30500B*	1750	5	18200	82
36"	--	MCYA36T30200C*	1140	2	14000	76
	--	MCYA36T30300C*	1140	3	19400	77
	MCYA36T10500B	MCYA36T30500B*	1750	5	16200	78
	MCYA36T10750B	MCYA36T30750B*	1750	7.5	21500	85

For three phase motors, substitute "\*" with "M" for 230/460 volt (If 208V required please specify) or "P" for 575 volt  
 dBA ratings shown are measured at 0" static pressure and should be used as a guideline only.

## OPTIONS

- Junction box installed on the outside of the fan body.

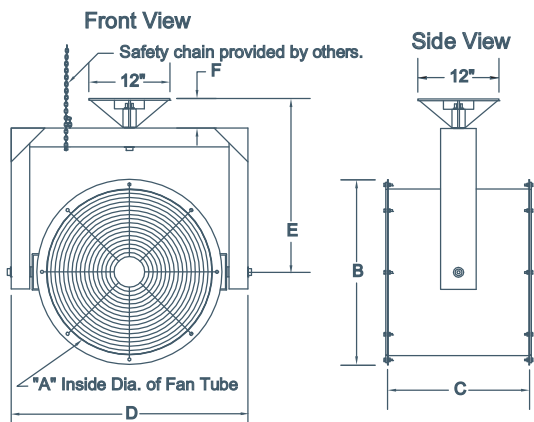
## FEATURES

- Drums and motor supports are constructed of heavy gauge steel.
- TEFC continuous duty, ball bearing motors are standard.
- All models are direct drive and available with steel blades or cast aluminum blades.
- Heavy-duty, concentric circle, OSHA wire guards are standard on all sizes.
- Fan section can pivot on both the horizontal and vertical axis.
- Consult factory for availability of explosion-proof motors.

Non-stock, made-to-order products are non-returnable and cannot be cancelled.

## DIMENSIONS

FAN SIZE	A	B	C	D	E	F
18"	18 3/8"	20 7/8"	18"	29"	24"	4 1/2"
24"	24 3/8"	27 3/8"	21"	35"	25 5/8"	4 1/2"
30"	30 3/8"	33 3/8"	21"	41 1/4"	30 1/4"	4 1/2"
36"	36 3/8"	39 3/8"	27"	47 5/16"	33 1/4"	4 1/2"



# BUCKET FANS


**BUCKET FAN**
**BUCKET FAN WHISPER**

Bucket Fans are used for equalizing the floor-to-ceiling temperature. This provides a more comfortable thermal environment for occupants, while at the same time reducing energy costs. In the cold months the hot air at the roof is gently directed back down to the floor where it is needed. During the warm months in buildings that have air conditioning, Bucket Fans help push the cold air coming from the registers at the ceiling down to occupant level.

## FEATURES

- For use in commercial, educational, government, or industrial settings with 15' to 30' plus ceilings
- Fan casing is made of steel with polymeric coating, while impeller is made of aluminum.
- Asynchronous motor on ball bearings
- Thermally protected
- Speed controllable
- Easy to install
- Quiet operation
- Hanging/Safety Cable
- Two year warranty

## HOW TO CALCULATE THE NUMBER OF BUCKET FANS YOU NEED

To enjoy the full benefit of destratification the accepted rule of thumb is to "turn the air" between one and two times an hour.

For ceiling heights 15 ft - 20 ft use the Bucket Fan 420  
 For ceiling heights 20 ft - 25 ft use the Bucket Fan 1055  
 For ceiling heights 25 ft and over use the Bucket Fan 1460

To determine how many Bucket Fans are needed use this formula:  
 1)  $L \times W \times H = V$  (Height x Width x Length = Air Volume in Building)

### EXAMPLE:

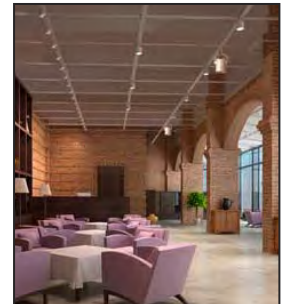
A building that has the following dimensions:  
 125 ft long, 75 ft wide, and 20 ft high.

- 1)  $125 \times 75 \times 20 = 187,500$  cu. ft
- 2)  $187,500 / 1055 / 60 = 2.96$  fans

$V / \text{CFM of the Bucket Fan} / 60$  (converts CFM to CFH) = Number of Fans

- 2)  $V / \text{CFM} / 60 = \text{Number of Fans}$

Always round up to the next number. In this example 4 Bucket Fans would be needed.


**BUCKET FAN WHISPER NOISE LEVELS (SONES)**

FAN HANGING HEIGHT	BUCKET FAN WHISPER 4420	BUCKET FAN WHISPER 1055	BUCKET FAN WHISPER 1460
20'	2.9	3.5	5
25'	2.6	3.1	4.7
30'	2.3	2.7	4.4
40'	2.0	2.3	4.1

## PERFORMANCE SPECIFICATIONS

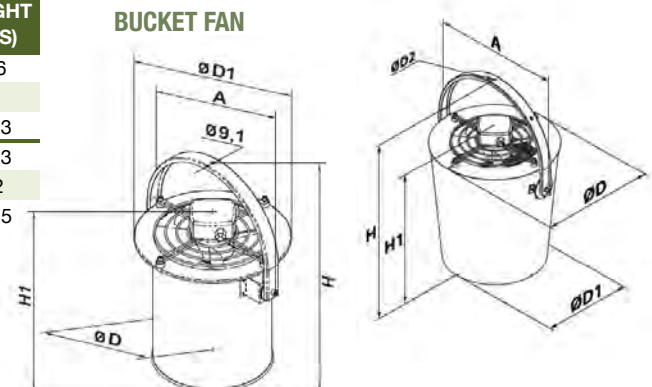
MODEL	RMP	SONES	MAX WATTS	MAX AMPS	AIRFLOW CFM (L/s)	AIRFLOW SPEED (DEPENDING ON DISTANCE POINT -ft- FPM)										VOLTS/HZ	
						3	6	10	13	15	20	23	25	30	33		35
BUCKET FAN 420	1700	9.8	60	0.51	420 (198)	378	270	220	156	90	60	20	-	-	-	-	120/60
BUCKET FAN 1055	1675	11.3	94	0.8	1055 (498)	918	594	380	234	162	120	79	38	20	-	-	120/60
BUCKET FAN 1460	1685	14.9	162	1.38	1460 (689)	1100	756	760	468	324	300	214	169	120	59	19	120/60

## DIMENSIONS

MODEL	MEASUREMENTS					WEIGHT (LBS)
	ØD	ØD1	H	H1	A	
Bucket Fan 420	10 3/16"	13 7/16"	20 3/16"	15 3/16"	15 3/16"	6.6
Bucket Fan 1055	12 3/16"	15 7/16"	23 7/8"	17 3/16"	17 1/4"	11
Bucket Fan 1460	14 3/16"	17 7/16"	27 5/16"	20 5/16"	19 3/16"	12.3
Bucket Fan Whisper 420	15 1/8"	11 7/8"	24 5/8"	18 7/16"	17 15/16"	24.3
Bucket Fan Whisper 1055	17 1/16"	13 7/8"	27 5/8"	20 3/8"	19 15/16"	32
Bucket Fan Whisper 1460	19 1/16"	15 13/16"	30 9/16"	22 3/8"	21 7/8"	37.5

## ACCESSORIES

- Variable Speed Control

**BUCKET FAN WHISPER**




# ACCESSORIES & MOTORS

**J1 VIBRATION ISOLATORS**  
Rubber



**J1 VIBRATION ISOLATORS**  
Spring



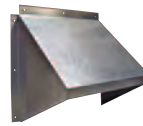
**J2 VIBRATION ISOLATORS**  
Hanging



**J2 VIBRATION ISOLATORS**  
Outdoor Spring



**J3** Hoods



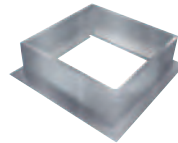
**J4 CANARM BRANDED AC TEFC MOTORS**



**J5 ECSMART MOTOR**



**J6** Roof Curbs



**J7** Motor Platforms



**J8 VAS SERIES**  
Amp Sensor



**J8** Lint Trap



**J8 C/CZ SERIES**  
Steel Hose Clamp



**J9 KOM U SERIES**  
Back Valve with Rubber Seal



**J9 AM-VRF SERIES**  
Metal Diffuser



**J9 A-VRF SERIES**  
Plastic Diffuser



**J10 MVM SERIES**  
Square, Metal Grille with Mosquito Screen



**J10 MV102/122 VK SERIES**  
Vent Plastic Cap



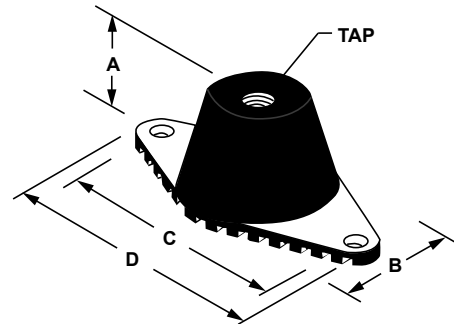
**J10 D SERIES**  
Access Door





## VIBRATION ISOLATORS RUBBER

- Rubber-in-shear isolators.
- Reduces vibration transmission to floors or roof surfaces.
- Suitable for indoor and outdoor use.

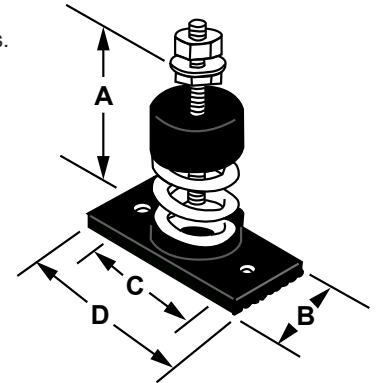


BLOWER MODEL	QUANTITY REQUIRED	RUBBER VI-RS	RATED LOAD	COLOUR	RATED DEFLECTION	DIMENSION				TAP SIZE
						A	B	C	D	
207, 209, 210, 212, IDB7-12, 207-2, 9209, 9210, DSQ-B-10,12,13,15,16, 407, 409, 410, 412, 415, 610, 612, 809, 810, 812, 815, 907, 909, 910, 912, 915, 918, BI-10, DPL-12,13,15,16,18,	4	R-B-8860041	40 lbs	Red	0.35"	1-1/4"	1-3/4"	2-3/8"	3-1/8"	11/32"
615, BI-12, BI-13, BI-15, DPL-12,13,15,16,18, DPL Units WITH MOTOR BASE & PLATFORM	6	R-B-8860041	40 lbs	Red	0.35"	1-1/4"	1-3/4"	2-3/8"	3-1/8"	11/32"
215, IDB15, 209-2, 210-2, 212-2, 9212, 9215, 9209-2, 9210-2, DSQ-B-18,20,22, 418, 818, DPL-20,22,24,27,30	4	R-B-8860042	115 lbs	Black	0.35"	1-1/4"	1-3/4"	2-3/8"	3-1/8"	11/32"
618, BI-16, BI-18, DPL-20,22,24,27,30 DPL Units WITH MOTOR BASE & PLATFORM	6	R-B-8860042	115 lbs	Black	0.35"	1-1/4"	1-3/4"	2-3/8"	3-1/8"	11/32"
215-2, 9212-2, 9215-2, DSQ-B-24,27, 420, 422, 425,420, DPL-33,36	4	R-B-8860043	165 lbs	Red	0.40"	1-3/4"	2-3/8"	3"	3-7/8"	11/32"
BI-20, BI-22, BI-24, BI-27, BI-30, DPL-33,36 DPL Units WITH MOTOR BASE & PLATFORM	6	R-B-8860043	165 lbs	Red	0.40"	1-3/4"	2-3/8"	3"	3-7/8"	11/32"
9218, 218, 9220, 920, 922, 925	4	R-B-8860044	300 lbs	Red	0.50"	1-3/4"	2-3/8"	3"	4"	1/2"
620, 622, 625, BI-33, BI-36,	6	R-B-8860044	300 lbs	Red	0.50"	2"	2-3/8"	3-1/8"	4"	1/2"
9220-2	4	R-B-8860045	400 lbs	Green	0.50"	2"	2-3/8"	3-1/8"	4"	1/2"



## VIBRATION ISOLATORS SPRING

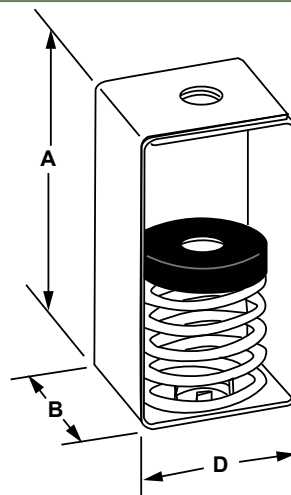
- Spring vibration isolators.
- Reduces vibration transmission to floors or roof surfaces.
- Suitable for indoor use only.



BLOWER MODEL	QUANTITY REQUIRED	SPRING VI-SG	RATED LOAD	COLOUR	RATED DEFLECTION	DIMENSION				STUD DIAMETER
						A	B	C	D	
207, 209, 210, 212, IDB7-12, 207-2, 9209, 9210, DSQ-B-10,12,13,15,16, 407, 409, 410, 412, 415, 610, 612, 809, 810, 812, 815, 907, 909, 910, 912, 915, BI-10, DPL-12,13,15,16,18	4	R-B-8860046	40 lbs	Yellow	1"	4-3/4"	2-1/8"	3"	4"	1/2"
		R-B-8860111	60 lbs	Silver/Blue	1.3"	4-1/2"	4"	5"	6"	1/2"
BI-12, BI-13, BI-15, DPL-12,13,15,16,18 DPL Units WITH MOTOR BASE & PLATFORM	6	R-B-8860046	40 lbs	Yellow	1"	4-3/4"	2-1/8"	3"	4"	1/2"
		R-B-8860111	60 lbs	Silver/Blue	1.3"	4-1/2"	4"	5"	6"	1/2"
215, IDB15, 209-2, 210-2, 212-2, 9212, 9215, 9209-2, 9210-2, DSQ-B-18,20,22, 418, 818, 918, DPL-20,22,24,27,30	4	R-B-8860047	100 lbs	Red	1"	4-3/4"	2-1/8"	3"	4"	1/2"
		R-B-8860112	100 lbs	Silver/Orange	1.3"	4-1/2"	4"	5"	6"	1/2"
615, BI-16, BI-18, DPL-20,22,24,27,30 DPL Units WITH MOTOR BASE & PLATFORM	6	R-B-8860047	100 lbs	Red	1"	4-3/4"	2-1/8"	3"	4"	1/2"
		R-B-8860112	100 lbs	Silver/Orange	1.3"	4-1/2"	4"	5"	6"	1/2"
215-2, 9218, 218, 9220, 9212-2, DSQ-B-24,27, 420, 422, 425, BI-27, BI-30, DPL-33,36	4	R-B-8860048	150 lbs	White	1"	4-3/4"	2-1/8"	3"	4"	1/2"
		R-B-8860113	165 lbs	Silver/Brown	1.2"	4-1/2"	4"	5"	6"	1/2"
618, 620, 622, 625, BI-20, BI-22, BI-24, DPL-33,36 DPL Units WITH MOTOR BASE & PLATFORM	6	R-B-8860048	150 lbs	White	1"	4-3/4"	2-1/8"	3"	4"	1/2"
		R-B-8860113	165 lbs	Silver/Brown	1.2"	4-1/2"	4"	5"	6"	1/2"
9215-2, 920, 922, 925	4	R-B-8860049	210 lbs	Green	1"	4-3/4"	2-1/8"	3"	4"	1/2"
		R-B-8860114	260 lbs	Silver/Black	1.0"	4-1/2"	4"	5"	6"	1/2"
BI-33, BI-36	6	R-B-8860049	210 lbs	Green	1"	4-3/4"	2-1/8"	3"	4"	1/2"
		R-B-8860114	260 lbs	Silver/Black	1.0"	4-1/2"	4"	5"	6"	1/2"
9218-2	4	R-B-8860050	300 lbs	Blue	1"	4-3/4"	2-1/8"	3"	4"	1/2"
		R-B-8860115	370 lbs	Silver/Yellow	0.8"	4-1/2"	4"	5"	6"	1/2"
9220-2	4	R-B-8860051	400 lbs	Orange	1"	4-3/4"	2-1/8"	3"	4"	1/2"
		R-B-8860116	450 lbs	Silver/Red	0.5"	4-1/2"	4"	5"	6"	1/2"

## VIBRATION ISOLATORS HANGING

- Hanging rubber-in-shear isolators.
- Reduces vibration transmission to floors or roof surfaces.
- Suitable for indoor and outdoor use.



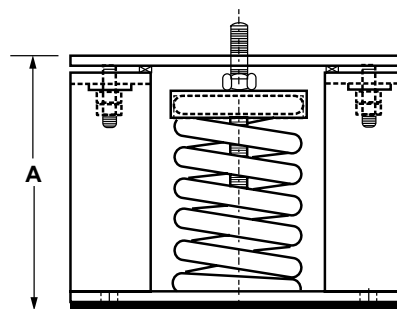
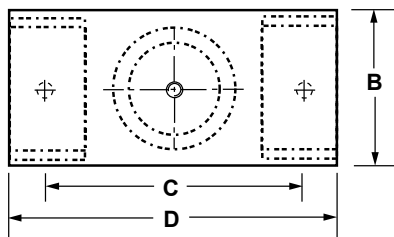
## ACCESSORIES

BLOWER MODEL	QUANTITY REQUIRED	HANGER VI-SH	WEIGHT CAPACITY	COLOUR	RATED DEFLECTION	DIMENSION			HANGER VI-SH
						A	B	D	
207, 209, 210, 212, IDB7-12, 9209, 9210, DSQ-B-10,12,13,15,16, DSQ-B-18,20,22, 407, 409, 410, 412, 415, 809, 810, 812, 907, 909, 910, 912,	4	R-B-8860058	60 Lbs	Silver/Blue	1.3"	4-1/2"	2-1/4"	3"	Up to 1/2" Rod
215, IDB15, 207-2, 209-2, 210-2, 212-2, 9212, 9215, 9209-2, 9210-2, 418, 815, 818, 915, 918	4	R-B-8860059	100 lbs	Silver/Orange	1.3"	4-1/2"	2-1/4"	3"	Up to 1/2" Rod
215-2, 9218, 218, 9212-2, DSQ-B-24,27, 420, 422, 425,	4	R-B-8860060	165 lbs	Silver/Brown	1.2"	4-1/2"	2-1/4"	3"	Up to 1/2" Rod
9220, 9215-2, 920, 922, 925	4	R-B-8860061	260 lbs	Silver/Black	1.0"	4-1/2"	2-1/4"	3"	Up to 1/2" Rod
9218-2,	4	R-B-8860062	370 lbs	Silver/Yellow	0.8"	4-1/2"	2-1/4"	3"	Up to 1/2" Rod
9220-2	4	R-B-8860063	450 lbs	Silver/Red	0.5"	4-1/2"	2-1/4"	3"	Up to 1/2" Rod



## VIBRATION ISOLATORS OUTDOOR SPRING

- Spring vibration isolators.
- Reduces vibration transmission to floors or roof surfaces.
- Designed for outdoor use. Housed to resist lateral motion from winds.

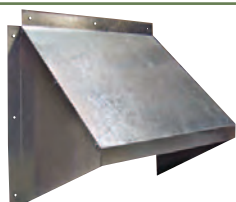


BLOWER MODEL	QUANTITY REQUIRED	OUTDOOR ISOLATORS	WEIGHT	COLOUR	RATED DEFLECTION	DIMENSION				STUD DIAMETER
						A	B	C	D	
9209, 9210, BI-10,	4	R-B-8860052	60 lbs	Silver/Blue	1.3"	5-5/8"	3"	4-1/2"	6"	1/2"
BI-12, BI-13, BI-15	6	R-B-8860052	60 lbs	Silver/Blue	1.3"	5-5/8"	3"	4-1/2"	6"	1/2"
9212, 9215	4	R-B-8860053	100 lbs	Silver/Orange	1.3"	5-5/8"	3"	4-1/2"	6"	1/2"
615, BI-16, BI-18	6	R-B-8860053	100 lbs	Silver/Orange	1.3"	5-5/8"	3"	4-1/2"	6"	1/2"
9218, 218	4	R-B-8860054	165 lbs	Silver/Brown	1.2"	5-5/8"	3"	4-1/2"	6"	1/2"
618, BI-20, BI-22, BI-24, BI-27, BI-30	6	R-B-8860054	165 lbs	Silver/Brown	1.2"	5-5/8"	3"	4-1/2"	6"	1/2"
9220	4	R-B-8860055	260 lbs	Silver/Black	1.0"	5-5/8"	3"	4-1/2"	6"	1/2"
620, 622, 625, BI-33, BI-36	6	R-B-8860055	260 lbs	Silver/Black	1.0"	5-5/8"	3"	4-1/2"	6"	1/2"
9209-2, 9210-2	4	R-B-8860053	100 lbs	Silver/Orange	1.3"	5-5/8"	3"	4-1/2"	6"	1/2"
9212-2	4	R-B-8860054	165 lbs	Silver/Brown	1.2"	5-5/8"	3"	4-1/2"	6"	1/2"
9215-2	4	R-B-8860055	260 lbs	Silver/Black	1.0"	5-5/8"	3"	4-1/2"	6"	1/2"
9218-2	4	R-B-8860056	370 lbs	Silver/Yellow	0.8"	5-5/8"	3"	4-1/2"	6"	1/2"
9220-2	4	R-B-8860057	450 lbs	Silver/Red	0.5"	5-5/8"	3"	4-1/2"	6"	1/2"



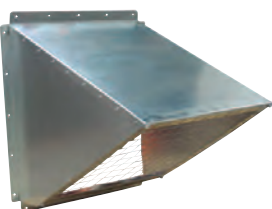
# HOODS

## GH GALVANIZED HOODS



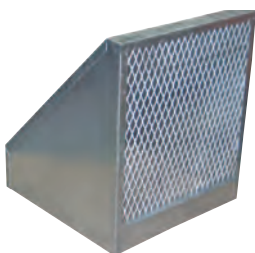
- Economical shipping.
- Easy to assemble, galvanized hood.
- No screens.

## GH KNOCK DOWN HOODS



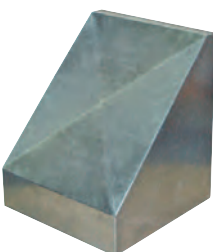
- Easy to assemble, galvanized hood.
- Includes bird screen.

## WHA HOODS



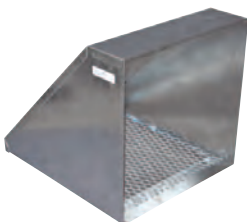
- For AX fans.
- Shipped fully assembled.
- 18 gauge galvanized weather hoods complete with bird screen.

## WHP HOODS



- Optional insect screen available. Consult factory.
- For Panel fans.

## INTAKE & EXHAUST HOODS



- Shipped fully assembled.
- 18 gauge galvanized weather hoods complete with bird screen.

## PLASTIC HOODS



- Rugged, grey plastic hood.
- No screens.

HOOD MODEL	DIMENSIONS		APPROX. WEIGHT (LBS)	FANS THAT WILL FIT
	INSIDE DIMENSIONS	OUTSIDE DIMENSIONS		
<b>GH GALVANIZED HOODS</b>				
GH-XF12-M	14.75"W X 14.0"H	18"W X 15.75"H	4	XF12 / XB12 / SD8 / SD10 / AX8 / AX10 / AX12
GH-XF16-M	18.75"W 17.75"H	22"W X 19.75"H	7	XF16 / XB12 / HV12 / HVA12 / ADD12 / DDP12 / DDS12 / SD12-14 / AX14-16
GH-XF20-M	22.75"W X 22"H	26"W X 23.75"H	9	XF20 / XB14 / XB16 / HV14-16 / HVA14-16 / ADD14-16 / DDP14-16 / DDS14-16 / SD16-18 / AX18-20
GH-XF24-M	26.75"W 26"H	29"W X 27.25"H	12	XFS24

HOOD MODEL	DIMENSIONS		APPROX. WEIGHT (LBS)	FANS THAT WILL FIT
	INSIDE DIMENSIONS	OUTSIDE DIMENSIONS		
<b>GH KNOCKDOWN HOODS</b>				
GH-KD24	31.65"W X 31.85"H	34.65"W X 34.83"H	31	XB24 / HV24 / HVA24 / ADD24 / DDP24 / DDS24 / SD24 / AX24
GH-KD36	43.62"W X 43.93"H	46.62"W X 46.82"H	75	XB30-36 / HV30-36 / HVA30-36 / ADD30-36 / DDS30-36 / SD30-36 / AX30-36 / AX42
GH-KD48	55.62"W X 55.25"H	58.62"W X 58.82"H	TBA	XB42-48 / HV42-48 / HVA42-48 / ADD42-48 / DDS42-48 / SD42 / AX42
GH-KD60	69.76"W X 69.92"H	72.76"W X 72.95"H	TBA	XB54-60 / HV54-60 / HVA54-60 / ADD54-60

HOOD MODEL	DIMENSIONS		APPROX. WEIGHT (LBS)	FANS THAT WILL FIT
	INSIDE DIMENSIONS			
<b>WHA HOODS</b>				
WHA8-10	12.11"W X 12.11"H		13	AX08-10, SD8
WHA12	14.05"W X 14.05"H		16	AX12, SD10
WHA14	16.11"W X 16.11"H		22	AX14, SD12
WHA16	18.11"W X 18.11"H		26	AX16, SD14
WHA18	20.11"W X 20.11"H		29	AX18, SD16
WHA20	22.05"W X 22.05"H		31	AX20, SD18
WHA24	26.05"W X 26.05"H		47	AX24
WHA30	33.05"W X 33.05"H		59	AX30
WHA36	39.11"W X 39.11"H		76	AX36

HOOD MODEL	DIMENSIONS		APPROX. WEIGHT (LBS)	FANS THAT WILL FIT
	INSIDE DIMENSIONS			
<b>WHP HOODS</b>				
WH8-10P	14.45"W x 14.45"H		20	P08 / P10
WH12P	17.40"W X 17.40"H		16	P12
WH14P	19.20"W X 19.20"H		24	P14
WH16P	21.20"W X 21.20"H		26	P16
WH18P	23.20"W X 23.20"H		29	P18
WH20P	25.20"W X 25.20"H		44	P20
WH24P	29.15"W X 29.15"H		44	P24
WH30P	35.65"W X 35.65"H		60	P30
WH36P	41.65"W X 41.65"H		77	P36

HOOD MODEL	DIMENSIONS		APPROX. WEIGHT (LBS)	FANS THAT WILL FIT
	INSIDE DIMENSIONS			
<b>EXHAUST / INTAKE / WEATHER HOODS</b>				
EH12	16.55"W X 16.55"H		9	XF12 / SD8-12 / AX8-14 / XB12 / HV12 / HVA12 / ADD12 / DDP12 / DDS12
EH14	18.60"W X 18.60"H		15	XB14 / HV14 / HVA14 / ADD14 / DDP14 / DDS14 / SD14 / XF16 / AX16
EH16	20.60"W X 20.60"H		20	AX18 / SD16 / XB16 / HV16 / HVA16 / ADD16 / DDP16 / DDS16
EH18	22.55"W X 22.55"H		31	SD18 / XB18 / HV18 / HVA18 / ADD18 / DDP18 / DDS18 / XF20 / AX20
EH20	24.55"W X 24.55"H		44	SD20 / XB20 / XF24 / HV20 / HVA20 / ADD20 / DDP20 / DDS20
EH24	30.05"W X 30.05"H		60	SD24 / AX24 / XB24 / ADD24 / HV24 / HVA24 / DDP24 / DDS24
EH30	36.35"W X 36.35"H		72	SD30 / AX30 / XB30 / HV30 / HVA30 / ADD30 / DDS30 / JFHVA24
EH36	42.30"W X 42.30"H		104	SD36 / AX36 / XB36 / HV36 / HVA36 / ADD36 / DDS36 / JFHVA30
EH42	48.63"W X 48.63"H		163	XB42 / HV42 / HVA42 / ADD42 / DDS42 / JFHVA36 / SD42 / AX42
EH48	54.64"W X 54.64"H		TBA	XB48 / HV48 / HVA48 / ADD48 / DDS48 / JFHVA42
EH54	61.20"W X 61.20"H		TBA	XB54 / HV54 / HVA54 / ADD54 / JFHVA48
EH60	69.39"W X 69.39"H		TBA	XB60 / HV60 / HVA60 / ADD60

HOOD MODEL	DIMENSIONS		APPROX. WEIGHT (LBS)	FANS THAT WILL FIT
	INSIDE DIMENSIONS			
<b>PLASTIC HOODS</b>				
HFP-18G	21.50"W X 21.75"H		9	S8 / S10 / S12 / S14 / S16 / S18V / AX08 / AX10 / AX12 / AX14 / AX16 / AX18
HFP-24G	27.50"W X 27.75"H		13	S20 / S24 AX20 / AX24

All 3 phase motors now VFD compatible!



# CANARM BRANDED AC TEFC MOTORS

From a Trusted name in Ventilation.

You Know Canarm as Canada's leading manufacturer of Ventilation equipment. Canarm also imports a number of competitively priced Electric motors that are ideal for use on axial fans and blowers.

Canarm electric motors are available in a variety of horsepower ranges and frame sizes to fit your application.

All motors are CSA approved for use in Canada and the United States.



## FEATURES

- Totally enclosed fan cooled (TEFC) or open drip proof (DDP)
- Ball bearing
- Thermally protected (where indicated below).
- F Class insulation.
- 40°C ambient temperature rated
- Available in single or three phase
- Single speed only
- All 3 phase units now VFD compatible

## PERFORMANCE SPECIFICATIONS

Canarm Model #	HP	PH	RPM	VOLTS	Frame	ENCL	SF	HZ	Capacitor (Run or Start or CSCR)	Thermal Protection	Mount	Premium Efficiency	CSA/CSAus
<b>SINGLE PHASE TEFC</b>													
1M111-C	1/3	1	1800	115/230V	56C	TEFC	1.15	60	CSCR	MANUAL	Rigid Base + C-Face	NO	CSA/CUS
1M112-C	1/2	1	1800	115/230V	56C	TEFC	1.15	60	CSCR	MANUAL	Rigid Base + C-Face	NO	CSA/CUS
1M113-C	3/4	1	1800	115/230V	56C	TEFC	1.15	60	CSCR	MANUAL	Rigid Base + C-Face	NO	CSA/CUS
1M114-C	1	1	1800	115/230V	56C	TEFC	1.15	60	CSCR	MANUAL	Rigid Base + C-Face	NO	CSA/CUS
1M115-C	1.5	1	1800	115/230V	56C	TEFC	1.15	60	CSCR	MANUAL	Rigid Base + C-Face	NO	CSA/CUS
1M116-C	2	1	1800	115/230V	56HC	TEFC	1.15	60	CSCR	MANUAL	Rigid Base	NO	CSA/CUS
1M117-C	3	1	1800	208-230V	182T	TEFC	1.15	60	CSCR	MANUAL	Rigid Base	NO	CSA/CUS
1M118W-C	5	1	1800	208-230V	184T	TEFC	1.15	60	CSCR	NO	Rigid Base	NO	CSA/CUS
1M119-C	7.5	1	1800	208-230V	213T	TEFC	1.15	60	CSCR	NO	Rigid Base	NO	CSA/CUS
1M120-C	10	1	1800	208-230V	215T	TEFC	1.15	60	CSCR	NO	Rigid Base	NO	CSA/CUS
<b>ODP MOTORS 60 HZ</b>													
1MD008-C	1/8	1	1800	115/230	48	ODP	1	60	RUN	AUTO	T Bolt and Rigid Base	NO	CSA/CUS
1MD110-C	1/4	1	1800	115/230	48	ODP	1	60	RUN	AUTO	T Bolt and Rigid Base	NO	CSA/CUS
1MD111-C	1/3	1	1800	115/230	48	ODP	1	60	RUN	AUTO	T Bolt and Rigid Base	NO	CSA/CUS
1MD112-48	1/2	1	1800	115/230	48	ODP	1	60	RUN	AUTO	T Bolt and Rigid Base	NO	CSA/CUS
1MD113-48	3/4	1	1800	115/230	48	ODP	1	60	RUN	AUTO	T Bolt and Rigid Base	NO	CSA/CUS
1MD114-C	1	1	1800	115/208-230	56	ODP	1.15	60	CSCR	MANUAL	C-Face and Rigid Base	NO	CSA/CUS
1MD115-C	1.5	1	1800	115/208-230	56	ODP	1.15	60	CSCR	MANUAL	C-Face and Rigid Base	NO	CSA/CUS
1MD116-C	2	1	1800	115/208-230	56	ODP	1.15	60	CSCR	MANUAL	C-Face and Rigid Base	NO	CSA/CUS
<b>VFD COMPATIBLE 3 PHASE MOTORS</b>													
3M211-V	1/3	3	1800	230/460V	56C	TEFC	1.15	60	NO	NO	Rigid Base + C-Face	NO	CSA/CUS
3M212-V	1/2	3	1800	230/460V	56C	TEFC	1.15	60	NO	NO	Rigid Base + C-Face	NO	CSA/CUS
3M213-V	3/4	3	1800	230/460V	56C	TEFC	1.15	60	NO	NO	Rigid Base + C-Face	NO	CSA/CUS
3M214-V	1	3	1800	230/460V	56HC	TEFC	1.15	60	NO	NO	Rigid Base + C-Face	NO	CSA/CUS
3M215-V	1.5	3	1800	208-230/460V	56	TEFC	1.15	60	NO	NO	Rigid Base	YES	CSA/CUS/CC
3M216-V	2	3	1800	208-230/460V	56	TEFC	1.15	60	NO	NO	Rigid Base	YES	CSA/CUS/CC
3M217-V	3	3	1800	208-230/460V	182T	TEFC	1.15	60	NO	NO	Rigid Base	YES	CSA/CUS/CC
3M218-V	5	3	1800	208-230/460V	184T	TEFC	1.15	60	NO	NO	Rigid Base	YES	CSA/CUS/CC
3M219-V	7.5	3	1800	208-230/460V	213T	TEFC	1.15	60	NO	NO	Rigid Base	YES	CSA/CUS/CC
3M220-V	10	3	1800	208-230/460V	215T	TEFC	1.15	60	NO	NO	Rigid Base	YES	CSA/CUS/CC

## WARRANTY

- 1 year warranty



NEW HIGH EFFICIENCY ECSMART MOTOR -  
UP TO 70% ENERGY SAVINGS WITH  
EC MOTORS

# ECsmart MOTORS

with User Interface for Speed Control, High Efficiency



ODP & TEAO with  
with built in speed control

Meets IE4 Super Premium Efficiency  
Rating Threshold – 1/2hp, 1800 rpm  
reaches 87% Peak Efficiency



TEAO - Suitable for  
wet locations

Remote mount 0 to 10V speed  
control available see Controls  
section.

## FEATURES

- High efficiency, up to 85% efficiency with watt savings of 30 to 70%
- Variable HP & speed
- 1/4 HP to 1.0 HP, 1800, 1200 and 1000 RPM models available
- 48 NEMA frame with all AC motor mounting options available for drop in replacement of AC motors
- Soft start - quiet and lower start up amperage loads
- Advanced electronic protection- cool running and self-limiting thermal and amperage control
- Totally enclosed or ODP with reversible options - suitable for many applications
- Available with or without built in potentiometer which can be controlled remotely using optional 0-10V control
- Standard LED display for RPM readout
- 120/208-280V
- Single phase, 50/60 HZ
- Separate AC and DC power connection boxes for safety.
- Customizable Maximum RPM to match wheel/blade/product restraints.



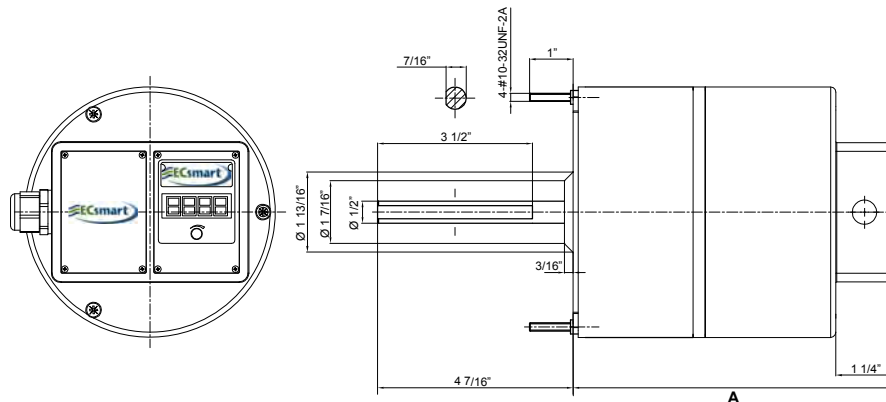
## PERFORMANCE SPECIFICATIONS

	MODEL NUMBER	HP	RPM	VOLTS	AMPS	HZ	SHIP WT. (LBS)
Totally Enclosed with Built In Speed Control	8842025-RPM18	1/4	300-1800	120/208-280V	3.1/1.8-1.5	50/60	10
	8842033-RPM18	1/3	300-1800	120/208-280V	4.1/2.5-2.0	50/60	10
	8842050-RPM18	1/2	300-1800	120/208-280V	5.7/3.4-2.6	50/60	10
	8842050-RPM12	1/2	300-1200	120/208-280V	5.7/3.5-2.8	50/60	10
	8842075-RPM18	3/4	300-1800	120/208-280V	7.7/4.7-3.7	50/60	15
	8842075-RPM10	3/4	300-1000	120/208-280V	TBA	50/60	15
	8842100-RPM18	1	300-1800	120/208-280V	11/6.4-5.2	50/60	15
8842100-RPM12	1	300-1200	120/208-280V	9.7/6.0-4.6	50/60	15	
ODP with Built In Speed Control	8844025-RPM18	1/4	300-1800	120/208-280V	3.1/1.8-1.5	50/60	10
	8844033-RPM18	1/3	300-1800	120/208-280V	4.1/2.5-2.0	50/60	10
	8844050-RPM18	1/2	300-1800	120/208-280V	5.7/3.4-2.6	50/60	10
	8844050-RPM12	1/2	300-1200	120/208-280V	5.7/3.5-2.8	50/60	10
	8844075-RPM18	3/4	300-1800	120/208-280V	7.7/4.7-3.7	50/60	15
	8844075-RPM10	3/4	300-1000	120/208-280V	TBA	50/60	15
	8844100-RPM18	1	300-1800	120/208-280V	11/6.4-5.2	50/60	15
8844100-RPM12	1	300-1200	120/208-280V	11.5/7.2-5.4	50/60	15	
Totally Enclosed - For Wet locations	8842025-10V18	1/4	300-1800	120/208-280V	3.1/1.8-1.5	50/60	10
	8842033-10V18	1/3	300-1800	120/208-280V	4.1/2.5-2.0	50/60	10
	8842050-10V18	1/2	300-1800	120/208-280V	5.7/3.4-2.6	50/60	10
	8842050-10V12	1/2	300-1200	120/208-280V	5.7/3.5-2.8	50/60	10
	8842075-10V18	3/4	300-1800	120/208-280V	7.7/4.7-3.7	50/60	15
	8842075-10V10	3/4	300-1000	120/208-280V	TBA	50/60	15
	8842100-10V18	1	300-1800	120/208-280V	11/6.4-5.2	50/60	15
8842100-10V12	1	300-1200	120/208-280V	9.7/6.0-4.6	50/60	15	

Please note: Specifications are subject to change without notice as the product is still in development stages. See Controls section for speed controls for above motors.

## DIMENSIONS

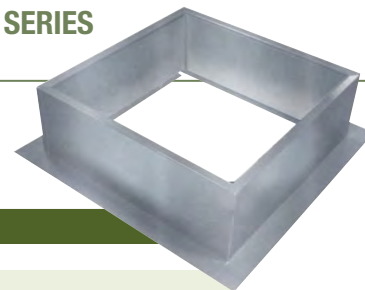
MODEL	A
8842025-RPM18/10V18	7 1/4"
8842033-RPM18/10V18	7 1/4"
8842050-RPM18/10V18	7 1/4"
8842050-RPM12/10V12	8"
8842075-RPM18/10V18	8"
8842075-RPM10/10V10	8"
8842100-RPM18/10V18	8"
8842100-RPM12/10V12	7 1/4"



# ROOF CURBS

## GALVANIZED ROOF CURBS - NON-VENTED - FOR 300, 700, SIS, ALX, SB-SBRM & SD-SDUB SERIES (Non-vented) 18" High (RCG) or 12" High (RCGL)

- RCG are 18" high
- RCGL are 12" high
- 18 gauge galvanized steel construction
- 1 3/4" flanges
- Insulated curbs available (RCGI or RCGLI)
- Shipped fully assembled



RCG ROOF CURB

Part # (Non-Insulated)	Part # (Insulated)	Curb OD Dimension sq	Curb fits Models
RCG17.5 / RCGL17.5	RCGI17.5 / RCGLI17.5	17.5"	ALX105, ALX120, SD-SDUB-10, SD-SDUB-12
RCG18.5 / RCGL18.5	RCGI18.5 / RCGLI18.5	18.5"	307
RCG19.5 / RCGL19.5	RCGI19.5 / RCGLI19.5	19.5"	ALX135, ALX150, SB-SBRM-13, SD-SDUB-30, SD-SDUB-33, SD-SDUB-50, ALX105-C2, ALX120-C2
RCG22.5 / RCGL22.5	RCGI22.5 / RCGLI22.5	22.5"	309,709,SIS-09
RCG23.25 / RCGL23.25	RCGI23.25 / RCGLI23.25	23.25"	ALX165, SB-SBRM-15, SD-SDUB-85, ALX135-C2, ALX150-C2, ALX-180-C2
RCG26.5 / RCGL26.5	RCGI26.5 / RCGLI26.5	26.5"	ALX180, SIS-10, SB-SBRM-18, ALX165-C2
RCG30.5 / RCGL30.5	RCGI30.5 / RCGLI30.5	30.5"	312,712,715, SIS-12, SIG-12, SIG-15
RCG31.5 / RCGL31.5	RCGI31.5 / RCGLI31.5	31.5"	ALX210, ALX245, SB-SBRM-24
RCG34.5 / RCGL34.5	RCGI34.5 / RCGLI34.5	34.5"	315,718,SIS-15,SIS-18
RCG38.5 / RCGL38.5	RCGI38.5 / RCGLI38.5	38.5"	318, SB-SBRM-30, ALX210-C2, ALX245-C2, ALX300
RCG42.5 / RCGL42.5	RCGI42.5 / RCGLI42.5	42.5"	SIS-20, ALX360, SB-SBRM36

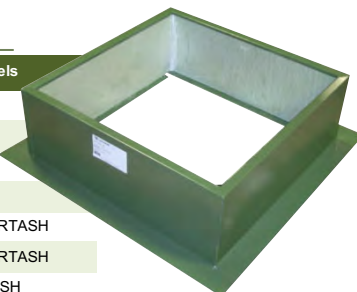
Please note Galvanized Curbs (RCG's) are for UL 705 only.  
For UL762 the curb must be vented and be a minimum of 40" from roof to outlet - use RCGV curbs (below)

## ROOF CURBS FOR RTA, RB OR RD

- 16 gauge galvanized or painted steel construction
- RC are insulated, painted, with 3" flanges and damper shelf
- RCG are non-insulated, galvanized, with 1 3/4" flanges
- RCGI are insulated, galvanized, with 1 3/4" flanges
- All are 10 1/4" high
- Non-vented
- Shipped fully assembled

## ROOF CURBS FOR RTA, RB & RD SERIES (Non-vented) 10 1/4" High

Part # Painted	Part # Galv (Non-Insulated)	Part # Galv (Insulated)	Curb OD Dimension sq	Curb fits Models
RC18	RCG21.625	RCGI21.625	21.6"	RTA18
RC24	RCG29.125	RCGI29.125	29.1"	RTA-RB-RD24
RC30	RCG35.125	RCGI35.125	35.1"	RTA-RB-RD30
RC36	RCG41.125	RCGI41.125	41.1"	RTA-RB-RD36
RC42	RCG47.125	RCGI47.125	47.1"	RTA-RB-RD42-RTASH
RC48	RCG53.125	RCGI53.125	53.1"	RTA-RB-RD48-RTASH
RC54	RCG59.125	RCGI59.125	59.1"	RTA-RB54-RTASH
RC60	RCG67.125	RCGI67.125	67.1"	RTA-RB60



## VENTED ROOF CURBS FOR ALX, SB-SBRM & SD-SDUB

- UL762 requires vents and minimum 40" from roof to outlet
- Curb height varies to meet UL762 (see table below)
- RCGV are 18" high
- RCGVL are 12" high
- RCGVH vary to meet UL762
- 18 gauge galvanized steel construction
- 1 3/4" flanges
- Non-insulated
- Shipped fully assembled



## (Vented) RCGV ROOF CURBS FOR ALX, SB-SBRM & SD-SDUB SERIES

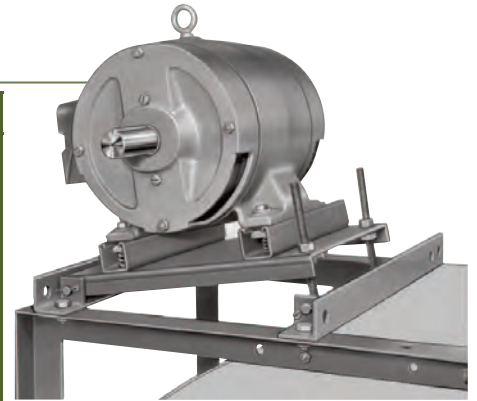
Part #	Part #	UL762 Curb Height	Curb OD Dimension sq	Curb fits Models
Vented 18" high (RCGV)	To meet UL762			
RCGV17.5 / RCGVL17.5	RCGVH17.5	27"	17.5"	ALX105, ALX120, SD-SDUB-10, SD-SDUB-12
RCGV19.5 / RCGVL19.5	RCGVH19.5	25"	19.5"	ALX135, ALX150, SB-SBRM-13, SD-SDUB-30, SD-SDUB-33, SD-SDUB-50, HRE-13, ALX105-C2, ALX105-C2
RCGV23.25 / RCGVL23.25	RCGV23.25	18"	23.25"	ALX165, SB-SBRM-15, SD-SDUB-85, HRE-16, ALX135-C2, ALX150-C2, ALX180-C2
RCGV26.5 / RCGVL26.5	RCGV26.5	18"	26.5"	ALX180, SB-SBRM-18, HRE-20, ALX165-C2
RCGV31.5 / RCGVL31.5	RCGV31.5	18"	31.5"	ALX210, ALX245, SB-SBRM-24, HRE-24
RCGV38.5 / RCGVL38.5	RCGV38.5	18"	38.5"	SB-SBRM-30, AXL210-C2, ALX245-C2, ALX300

RCGV ROOF CURB

# MOTOR PLATFORMS

## MOTOR PLATFORMS - FOR 900 SERIES TRADITIONAL STYLE (powder coated partial assembly)

Part #	HP	Fits Models	Unit Weight (lbs)	Shipping Weight (lbs)
9200011	1 - 15	912,915,915-10, 918-13	28	31
9200002		918	30	32
9200003		920, 922, 920-18	35	38
9200004		925	37	40
9200017		927, 930	50	55
9200019		933, 936	55	60
9200018		20 - 50	918	72
9200008	920, 922, 920-18		72	88
9200009	925		72	88
9200020	927, 930		85	95
9200021	933, 936		85	95



## MOTOR PLATFORMS - FOR 900 SERIES GALVANIZED (Knockdown)

Part #	HP	Fits Models	Shipping Weight (lbs)
9200011-G	Up to 5 HP	912,915,915-10, 918-13	31
9200002-G	Up to 5 HP	918	32
9200003-G	Up to 5 HP	920, 922, 920-18	38
9200004-G	Up to 5 HP	925	40
9200017-G	Up to 5 HP	927, 930	55
9200019-G	Up to 5 HP	933, 936	60



## MOTOR PLATFORMS - FOR 900 SERIES PAINTED (Knockdown)

Part #	HP	Fits Models	Shipping Weight (lbs)
9200040	7.5 to 15 HP	912,915,915-10, 918-13	31
9200041	7.5 to 15 HP	918	32
9200042	7.5 to 15 HP	920, 922, 920-18	38
9200043	7.5 to 15 HP	925	40
9200044	7.5 to 15 HP	927, 930	55
9200045	7.5 to 15 HP	933, 936	60



# ACCESSORIES

## VAS SERIES

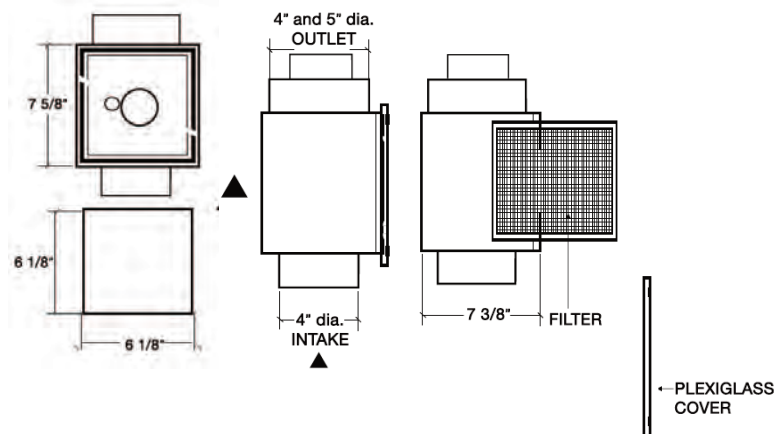
Amp Sensor

MODEL	INPUT CURRENT	SWITCH RATING	DELAY TIME
VAS 2505	1.2-40 A AC	2.5 A @ 120V AC	5 MINUTES
VAS 2515	0.5-50 A AC		15 MINUTES



## LINT TRAP

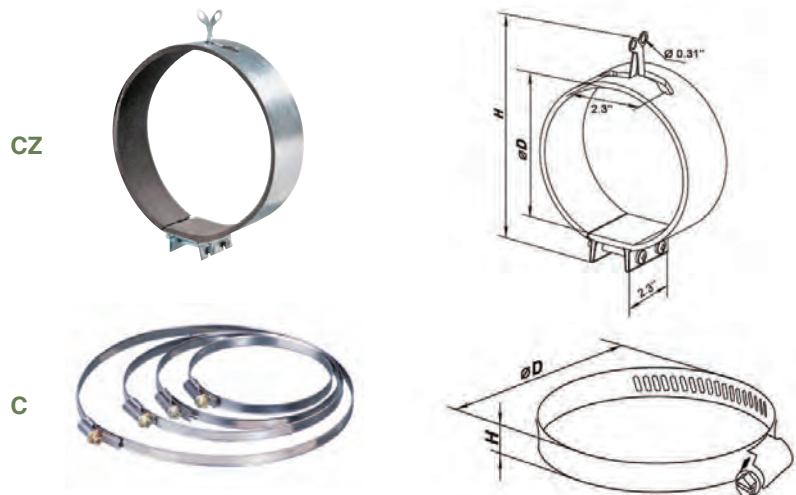
MODEL# DLT-454



## C, CZ SERIES

Steel Hose Clamp

MODEL	MEASUREMENTS (IN)	
	ØDIAMETER	HEIGHT
C 100	3 9/16" - 4 5/16"	3/8"
C 125	4 5/16" - 5 1/8"	3/8"
C 150	5 1/2" - 6 5/16"	3/8"
C 200	7 1/2" - 8 1/4"	3/8"
C 250	9 7/16" - 10 1/4"	3/8"
C 315	11 13/16" - 13"	3/8"
CZ 100	3 15/16"	6 3/4"
CZ 125	4 15/16"	7 13/16"
CZ 150	5 7/8"	8 13/16"
CZ 200	7 7/8"	10 13/16"
CZ 250	9 13/16"	12 13/16"
CZ 315	12 3/8"	14 15/16"



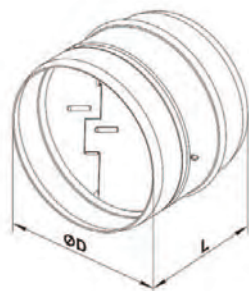
\*CZ with rubber seal

# ACCESSORIES

## KOM U SERIES

Back Valve with Rubber Seal

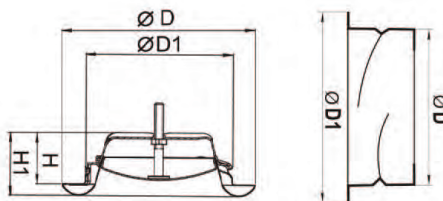
MODEL	MEASUREMENTS (IN)	
	ØDIAMETER	LENGTH
KOM U 100	3 7/8"	3 1/8"
KOM U 125	4 7/8"	3 15/16"
KOM U 150	5 7/8"	4 1/2"
KOM U 200	7 13/16"	5 11/16"
KOM U 250	9 13/16"	6 1/2"
KOM U 315	12 3/8"	7 1/2"



## AM-VRF SERIES

Metal Diffuser

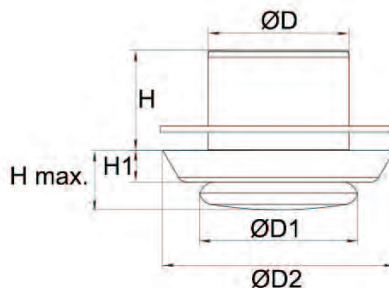
MODEL	MEASUREMENTS (IN)				
	ØDIAMETER	AIR PASS, SQ FT	ØDIAMETER 1	HEIGHT	HEIGHT 1
AM 100 VRF	5 1/15"	0.043	3 7/5"	1 3/4"	2 1/16"
AM 125 VRF	6"	0.075	5 1/16"	1 3/4"	2 1/16"
AM 150 VRF	7 1/4"	0.107	5 13/16"	1 3/4"	2 1/16"
AM 200 VRF	9 1/4"	0.215	7 13/16"	1 3/4"	2 1/16"



## A-VRF SERIES

Plastic Diffuser

MODEL	MEASUREMENTS (IN)						
	ØDIAMETER	ØDIAMETER 1	ØDIAMETER 2	HEIGHT	HEIGHT 1	AIR PASS, SQ FT	DAMPER NORMAL PITCH (INCH)
A 100 VRF	3 15/16"	3 9/16"	5 13/16"	2 5/16"	1 1/8"	0.0648	0-13/16"
A 125 VRF	4 15/16"	4 5/16"	6 6/19"	2 5/16"	13/16"	0.0861	0- 7/8"
A 150 VRF	5 7/8"	5 1/16"	7 7/8"	2 5/16"	13/16"	0.0968	0- 7/8"
A 200 VRF	7 7/8"	6 1/16"	9 11/16"	2 5/16"	13/16"	0.0861	0-3/4"

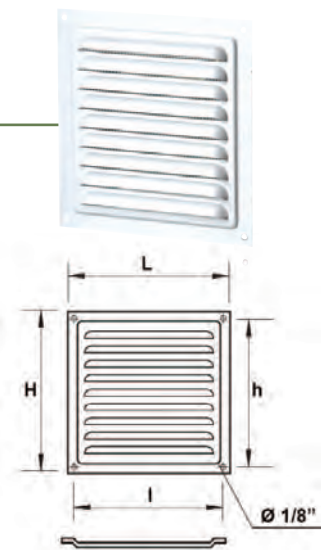


# ACCESSORIES

## MVM

Square, Metal grille with mosquito screen

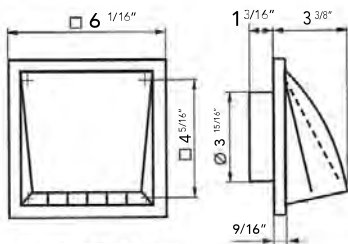
MODEL	MEASUREMENTS (IN)				
	L	H	I	h	AIR PASS (sq.FT)
MVM 125 S	4 15/16	4 15/16	4 3/8	4 3/8	0.042
MVM 150 S	5 7/8	5 7/8	5 3/8	5 3/8	0.743
MVM 200 S	7 7/8	7 7/8	7 3/16	7 3/16	0.1399
MVM 250 S	9 13/16	9 13/16	9 3/16	9 3/16	0.2411
MVM 300 S	11 13/16	11 13/16	11 3/16	11 3/16	0.3014



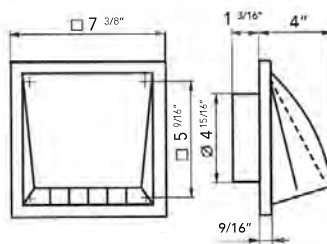
## MV 102 VK/MV 122 VK SERIES

Vent Plastic Cap

MV 102 VK



MV 122 VK



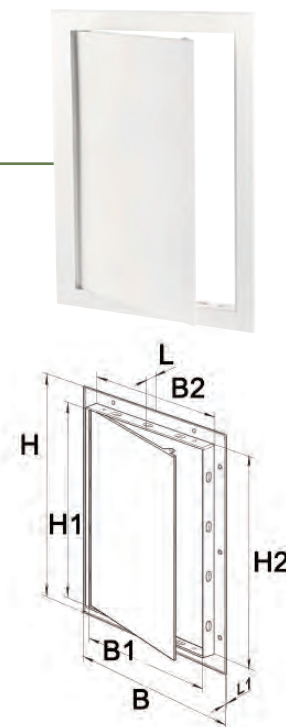
## D SERIES

Access Doors

MODEL	DIMENSIONS (mm)							
	H	B	H1	B1	H2	L1	L	B2
D 200x300	317	217	273	173	297	5	25	197
D 200x400	417	217	373	173	397	5	25	197
D 250x300	347	267	303	223	327	5	25	247
D 250x400	417	267	373	223	397	5	25	247
D 300x300	317	317	273	273	297	5	25	297

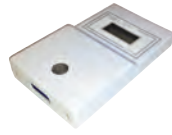
MODEL	MEASUREMENTS (IN)							
	H	B	H1	B1	H2	L1	L	B2
DD 200x300	13 1/4	9 5/16	11 7/16	7 7/16	11 11/16	1/8	13/16	7 3/4





# CONTROLS & THERMOSTATS

**K1 CTS-M5160**  
Carbon Monoxide  
Detector



**K1 K-KONTROL SERIES**  
Thermostat



**K1 TF115 SUNNE**  
Thermostat



**K1 RANCO SERIES**  
Thermostat



**K2 TS15 CONTROL**  
Two Speed Control



**K2 MC SERIES**  
Manual Variable Speed  
Controls



**K2 FC-1VAC**  
Variable Speed Control



**K2 FC-1T-1VAC SERIES**  
Modulating  
Temperature Control



**K3 CNEC CONTROLS**  
EC Motor Speed  
Controls



**K4 MC SERIES**  
Ceiling Fan Controls



**K4 FRMC5 SERIES**  
Ceiling Fan Control



**K5 VFD-B SERIES**  
Variable Speed AC  
Motor Drives



**K5 VFD-LENZE SERIES**  
Variable Frequency  
Multi-Function Micro Drive



**K5 Disconnect Switches**



**K5 Disconnect Switches**



**K5 Disconnect Switches**



**K6 Starters & OL Relays**



**K8 Controls/Operators**





# CARBON MONOXIDE DETECTOR



## CTS-M5160 CARBON MONOXIDE DETECTOR

**CTS-M5160** is a microprocessor based transmitter that detects carbon monoxide and activates relays when the set concentration is met. The **CTS-M5160** can be set for rising or falling carbon monoxide levels.

- Attaches to a standard 2" x 4" electrical box
- Programmable delay (0 - 60 minutes in 5 minute increments)
- Input Power: 24V
- Sensor Type: Electromechanical
- Sensor Life: 2 - 3 years
- Relay: Two, SPDT, 1 amp dry contact

## PRINCIPLES OF OPERATION

Electrochemical gas sensors are micro-fuel cells designed to be maintenance free and stable for long periods. Gas continuously enters the self-contained cell through a flow limiting diffusion barrier. The target gas reacts within the electrolyte creating a microamp current flow between the electrodes. No fluid replenishment is required as these cells are not self-consuming. The cell electrodes degrade with time resulting in a typical working life of 2 to 3 years.

The CTS-M5 transmitter is powered by a nominal 24 V external power supply in a two-wire connection. It transmits a 4-20 mA, 2-10 V, or an RS-485 signal over the calibrated range of the sensor selected. The transmitter is factory configured and calibrated for the sensor selected when ordered as a complete assembly. This universal transmitter accepts any of the listed sensors into a plug-in socket on the board. Calibration is achieved through a simple zero and span adjustment using the appropriate calibration gas concentration for the sensor installed.

# THERMOSTATS

## K-KONTROL THERMOSTATS

**Great for use on XF and UF10-G fans!**

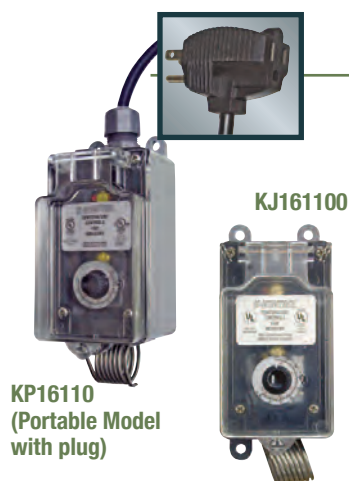
- Single KJ16110, portable single KP16110 and two KT16110 stage models.
- Reliable Johnson thermostats, low cost.
- Moisture proof box.
- Convenient flip open cover, stainless steel coil and portable hanger.
- Use anywhere portable model - simply plug control into outlet and then the device into the control.
- Two stage model for two stages of heating and/or cooling or two speed fans.
- Single and two stage models: 16 Amp rating at 120V; 8 Amp rating at 240V.
- Portable model: 16 Amp rating at 120V.
- Ideal for 120V fans & heaters.

## TF115 - SUNNE THERMOSTATS

- Single stage thermostat for heating or cooling.
- NEMA 4 enclosure, stainless steel coil, multi-position mounting.
- Large, easy to read, 40° - 100° F dial
- 16 Amp rating at 120V; 12 Amp rating at 240V.

## RANCO THERMOSTATS

- Single T1NEMA4D1 and two stage T2NEMA4D1 models.
- NEMA 4 enclosure, easy to read LCD display, lockout switch.
- Programmable differential (1 to 30° F).
- Wide operating range (-30° to 220° F), user selectable F/C°.
- 8' temperature probe included (extendable to 400').
- Two stage model for two stages of heating and/or cooling or two speed fans.
- 10 Amp rating at 120V; 5 Amp rating at 240V.



# TWO SPEED CONTROL



## TS15 CONTROL

- Manual control for 2 speed fans.
- High/low/off SPDT switch.
- For dry locations.
- 15 Amp rating at 115V; 10 Amp rating at 230V

# MANUAL VARIABLE SPEED CONTROLS

## MC CONTROLS

**Great for use on AX, SD, DFRC and AXC fans!**

- Minimum speed adjustment screw.
- Designed to fit a standard 3" x 5" electrical box.
- Mount in a dry location.
- Now available in 230V/1/60HZ.
- Ideal for use on variable speed SD Standard Exhaust fans, AX, DFRC and AXC fans (not for use with single speed motors).



MODEL	POWER SUPPLY	AMPERAGE RATING
MC-3		2.5
MC-5	120V/1/60HZ	5.0
MC-10		10.0
MC-15		12.0
MC5-230	230V/1/60HZ	5.0

## FC-1VAC VARIABLE SPEED CONTROL



- One variable speed output (12.5 A at 120/230 VAC general purpose resistive, 9 FLA at 120/230 VAC PSC motor)
- Adjustable high/low settings.
- ON/OFF switch.
- May also be used as a light dimmer to power up to five, 250 Watt brooder lamps.
- 115 or 230V AC operation.
- Overload protection fuse (15 Amp 250V AC).
- Rugged enclosure (corrosion and water resistant and fire retardant).

# AUTOMATIC VARIABLE SPEED CONTROL

## FC-1T-1VAC MODULATING TEMPERATURE CONTROL



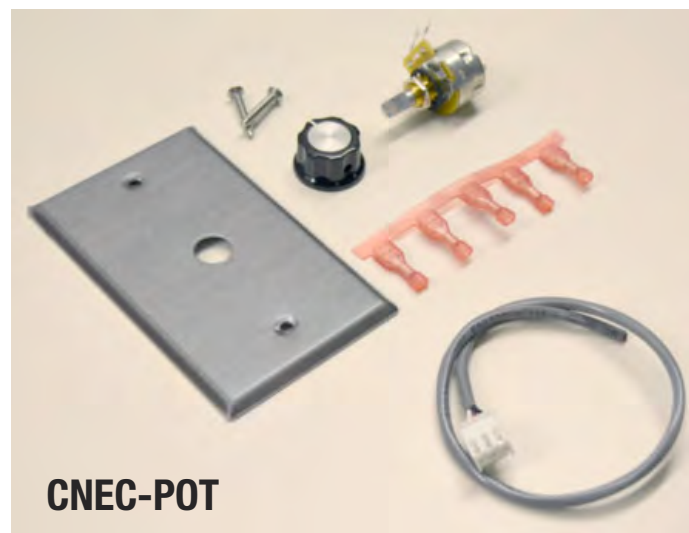
- The control will automatically vary the speed of the fan to hold the set temperature.
- One variable stage (10 A general-purpose (resistive) load at 120/230VAC, 7 FLA at 120/230VAC, PSC motor)
- Two control knobs, one for set temperature, one for adjusting the minimum speed.
- Continues to run at minimum speed or change the internal shunt to have the fan turn off at minimum speed setting.
- 2°F off set-back for auto shut off.
- 6°F temperature differential.
- One foot temperature probe.
- 115 or 230V AC operation.
- Adjustable 40 - 90°F temperature set point.
- Overload protection fuse (15A, 250V AC).

# CNEC CONTROLS

## EC Motor Speed Controls



**CNEC-0-10V-1FT**



**CNEC-POT**



**CNEC-10V**

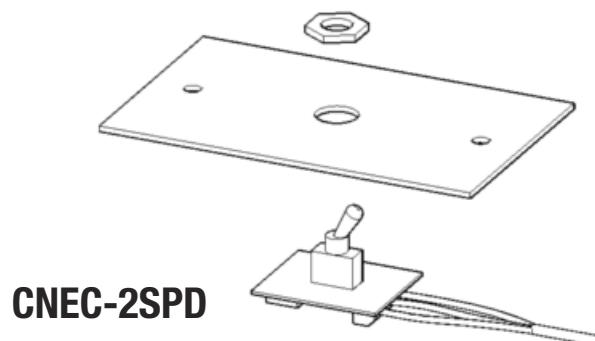
Our EC motors accept a 0-10v control from a remote potentiometer. The “pot” can be located up to 100 feet away from the motor. This will give the motor full variable speed based on the min and max rpm set at factory.

Part numbers for the pot and wiring harnesses are as follows:

MODEL	DESCRIPTION
<b>CNEC-0-10V-1FT</b>	Plastic housed potentiometer switch
<b>CNEC-POT</b>	Remote potentiometer
<b>CNEC-2SPD</b>	2 speed variable switch
<b>CNEC-2SPDW</b>	2 speed variable switch, weather resistant

NOTE: All switches include CNEC-1FT

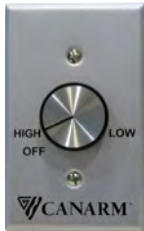
MODEL	DESCRIPTION
<b>CNEC-1FT</b>	1 ft control cable
<b>CNEC-4FT</b>	4 ft control cable
<b>CNEC-10FT</b>	10 ft control cable
<b>CNEC-50FT</b>	50 ft control cable
<b>CNEC-100FT</b>	100 ft control cable



**CNEC-2SPD**

MODEL	DESCRIPTION
<b>CNEC-10V</b>	EC Motor Control - 0 to 10 V

# INDUSTRIAL CEILING FAN CONTROLS



MC3/5



MC10



MC15

## MC CEILING FAN SPEED CONTROLS

- MC controls are available in 4 models: MC-3 (3 amp), MC-5 (5 amp), MC-10 (10 amp) and MC-15 (12 amp).
- MC15 can operate up to 10 fans on a single control.
- Infinite speed adjustment.
- Minimum speed adjustment screw.
- All controls are designed to fit a standard electrical box.
- Mount in a dry location such as the control room.

PART #	MODEL	MAX # OF FANS PER CONTROL	VARIABLE SPEED OPERATION	POWER SUPPLY	AMPERAGE RATING	SHIPPING WEIGHT
CN5041	MC-3	2	MANUAL	120V/1/60HZ	2.5	0.25 lbs
CN5061	MC-5	4	MANUAL	120V/1/60HZ	5	0.25 lbs
CN5101	MC-10	8	MANUAL	120V/1/60HZ	10	0.77 lbs
CN5151	MC-15	10	MANUAL	120V/1/60HZ	12	0.77 lbs

## FRMC5 CEILING FAN CONTROL

- 5 amp rating for use with the Forward/Reverse Industrial Ceiling Fan models.
- Up to 4 fans can operate on a single control.
- A forward and reverse slide switch is provided to change the direction of the fan from updraft to downdraft.
- Infinite speed adjustment.
- Minimum speed adjustment.
- All controls are designed to fit a standard electrical box.
- Mount in a dry location such as the control room.



PART #	MODEL	MAX # OF FANS/CONTROL	VARIABLE SPEED OPERATION	POWER SUPPLY	AMPERAGE RATING	SHIPPING WEIGHT
CNFRMC5	FRMC5	4	MANUAL C/W FORWARD/REVERSE SWITCH	120V/1/60HZ	5	0.35 lbs

# VFD - B SERIES

## Variable Speed AC Motor Drives



REQUIRES A VFD COMPATIBLE AC MOTOR

Variable Frequency Drives (VFD's) can cut energy use dramatically when needs are less than full motor capacity.

### FEATURES

- Volt/Hz, Sensorless vector & Closed loop vector control
  - All VFD-B drives have/are:
    - Nema1 rated enclosures
    - Constant Torque rated
    - UL, cUL & CE approved
  - Programmable (0 ~ 2000Hz) for high speed applications.
  - The output current is adjustable up to 120% of the drive's nominal capacity.
  - All "240/1/60" models also accept three phase input.
  - Inputs: 11 digital (4 dedicated & 7 programmable) & 3 analog.
  - Outputs: 4 digital, 1 analog and 1 digital frequency output.
  - RS-485 communication port, standard protocol Modbus RTU & ASCII.
  - B series drives have built-in dynamic braking transistors up to 15HP.
  - 230 1 Phase (up to 3 HP); 240V 3 Phase (up to 50 HP); 480V 3 Phase (up to 100 HP); 575V 3 Phase (up to 100 HP).
- Please see accompanying price pages for more information.



REQUIRES A VFD COMPATIBLE AC MOTOR

# VFD - LENZE SERIES

## Variable Frequency Multi-Function Micro Drive

Flexible, simple, economical.

### FEATURES

The SMVector is a highly competitive AC drive. Its performance, simplicity and flexibility make it an attractive solution for a broad range of applications including: Food processing machinery, Packaging machinery, Material handling/conveying systems and HVAC systems.

The SMVector is the right choice when you need it all – performance, power, packaging (NEMA Type 1 (IP31) Enclosure) and intuitive programming.

#### Superior Performance

- Modes of Operation:
  - V/Hz and Enhanced V/Hz(Constant and Variable)
  - Vector Speed or Torque Control
- Dynamic Torque Response
- Sophisticated Auto-tuning (Motor Calibration)
- Impressive Low Speed Operation
- Sequencer with 16 Programmable Segments

**Flexible Power Ranges:** 120/230V 1Ø (up to 1.5 Hp), 200/230V 1/3Ø (up to 3 Hp), 200/230V 3Ø (up to 20 Hp), 400/480 and 575V 3Ø (up to 60 Hp)

**Simplicity** - Intuitive User Interface - Electronic Memory Module (EPM)

# DISCONNECT SWITCHES

### FEATURES

- Can be used as Manual Motor Control
- Lockout Capable

MODEL	DESCRIPTION	AMP	POLES	HP RATING			
				120V AC	240V AC	480V AC	600V AC
EL1/3-25A	Single or three phase moisture resistant - IP65	25	3	3	7.5	15	20
DS1/3-30A	Single or Three PH Disconnect NEMA 3R (30303D)	30	3	3	7.5	15	20
KG1-2P1PH	Single phase only! Non-reversing, toggle operation NEMA 1 (2510KG1)	30	2	2	2	--	--
8890-5426-I	15A Disconnect with Pilot Light	15	2	0.5	--	--	--
8890-54522-W	20A Disconnect Switch	20	2	1	2	--	--
8890-MS403	Disconnect Switch 40A	40	3	7.5	15	20	40
8890-N13NC	NEMA 1 Steel Disconnect Switch Enclosure with lockout	--	--	--	--	--	--



KG1-2P1PH



EL1/3-25A



DS1/3-30A



8890-54522-W



8890-5426-I



8890-N13NC



8890-MS403

# STARTERS AND OL RELAYS



**PRE-WIRED IEC  
ENCLOSED MAGNETIC  
STARTERS**

## SAVE TIME AND MONEY

Instakits starters are completely pre-wired to a universal connector, which allows for quick installation of plug-in options. Choose from a selection of push-button or selector operators and contactor control transformers if required.

## INSTAKITS INCLUDE

- Type 1 general purpose enclosures
- Maintenance-free TeSys Model D, IEC contactor
- Class 10 overload relay with manual reset
- Common operator interface kits
- Provision for a control transformer kit in same size enclosure

## FEATURES

- Compact space saver design
- Easy component access with removable cover
- Conduit entry knockouts located on all four sides
- Padlock provision
- Contact factory for additional options

## QUICK SELECTION GUIDE

### 3 Phase Non-Reversing

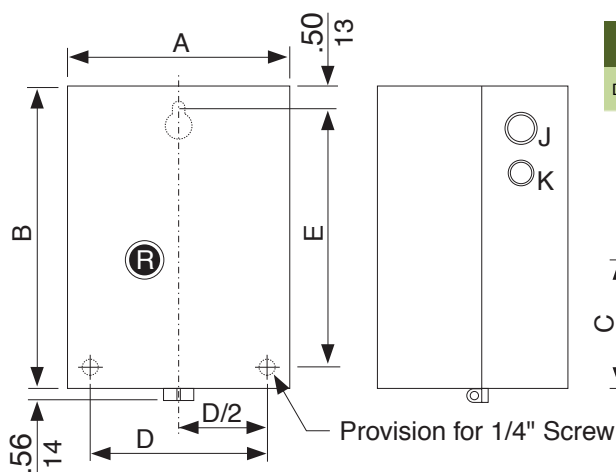
Maximum Horsepower Rating				Type 1 Non Combination	Auxillary Contacts		Current Rating of Contactor	Weight kg (lb)
208V	230V	460V	575V	Part Number	N.O.	N.C.		
2hp	2hp	5hp	7.5hp	LE1D093A62OG70	1	-	9	3.1 (6.9)
3hp	3hp	7.5hp	10hp	LE1D123A62OG70	1	-	12	3.1 (6.9)
5hp	5hp	10hp	15hp	LE1D183A62OG70	1	-	18	3.1 (6.9)
7.5hp	7.5hp	15hp	20hp	LE1D253A62OG70	1	-	25	3.3 (7.3)

\*All starters are complete with 120VAC contactor coils, 24V available, call factory

## DIMENSIONS

### Non-Combination Starter Dimensions (inches/mm)

Non-reversing	A	B	C	D	E	F	G	H	J	K
D09 - D25	6 3/4 172	10 255	6 1/4 158	5 3/8 136	9 228	1 - 1 1/4 25.4 - 31.7	1/2 - 3/4 12.7 - 19	-	1 - 1/4 25.4 - 6.3	1/2 - 3/4 12.7 - 19





# STARTERS AND OL RELAYS

## CONTROL CIRCUIT TRANSFORMER

• Only required if 120V is not available

VA Rating	For LE1 Starters	Part Number
50VA	D09 - D32	LA9TFD32 *

\* Add Voltage Code to end of Catalogue Number

Voltage Code	Primary Voltage				
	600V	480V	240V	208V	
Secondary Voltage	120V	X	T	M	L

## FIELD INSTALLABLE OPERATOR INTERFACE KITS

One Operator		
Description	Nameplate	Part Number
2 Position Selector Switch	OFF-ON	LA9CA06DT
3 Position Selector Switch	HAND-OFF-AUTO	LA9CA06ET

Two Operators			
Description	Nameplate	Part Number	
2 Push Buttons	START / STOP	LA9CA06GT	
2 Position Selector Switch + Full Voltage Pilot	OFF-ON POWER ON	LA9CA06WT	
3 Position Selector Switch + Full Voltage Pilot	HAND-OFF-AUTO POWER ON	LA9CA06UT	

## HOW TO SELECT THE RIGHT STARTER

- Determine 1 Phase or 3 Phase System and choose appropriate horsepower size from the quick selection guide to get starter part number.
- Based on the current of the motor, choose the overload relay. Use the chart on the right if you do not know your actual current.
- The contactor runs off of 120V by default. If you do not have a 120V circuit, choose a control transformer based on whatever voltage your motor is down to 120V. If you do have 120V available, you don't need this part. (24V control voltage is an option but starter # changes, call factory)
- Determine how the motor is going to start and stop. If it's being automatically controlled by something external sending the start and stop signals you do not need an operator interface. If it is going to be manually turned on and off you can choose from the operator interface options. Usually start/stop push buttons are the most common, followed by the two position selector (they both do the same job. It is just preference). The hand/off/auto are for when you are using automatic control but also need an override to turn the starter on locally.

**For example:** You have a thermostat system that is turning the starter on and off at a certain temperature with a 600V 7.5hp motor and 120V is not available for the coil, you would choose:

Starter Part Number	LE1D093A620G70	3 phase, 7.5 max hp at 575V
Overload Relay	LRD14	7-10A range
Control Circuit Transformer	LA9TFD32X	600V primary 120V secondary

• To add an option to manually turn the starter on (in case the thermostat fails, or for testing) add operator LA9CA06ET or LA9CA06UT

## OVERLOAD RELAY SELECTION

Part Number	Relay Setting Range	For Use with Starters LE(1/S) *
Class 10 with connection by screw clamp terminals		
LRD01	0.10 to 0.16 A	D09 to D32
LRD02	0.16 to 0.25 A	D09 to D32
LRD03	0.25 to 0.40 A	D09 to D32
LRD04	0.40 to 0.63 A	D09 to D32
LRD05	0.63 to 1A	D09 to D32
LRD06	1 to 1.7 A	D09 to D32
LRD07	1.6 to 2.5 A	D09 to D32
LRD08	2.5 to 4 A	D09 to D32
LRD10	4 to 6 A	D09 to D32
LRD12	5.5 to 8 A	D09 to D32
LRD14	7 to 10 A	D09 to D32
LRD16	9 to 13 A	D12 to D32
LRD21	12 to 18 A	D18 to D32
LRD22	16 to 24 A	D25 to D32
LRD32	23 to 32 A	D25 to D32

# Controls / Operators



**MULTI PRODUCTS**



**BELIMO ACTUATORS**

MANUFACTURER	MODEL	DESCRIPTION	MAX. DAMPER SQ. FT.		VOLTAGE
			WITH SEALS	NO SEALS	
CHAIN OPERATOR	<b>CHAINOP</b>	MANUAL OPEN/MANUAL CLOSE	N.A.	N.A.	N.A.
LOCKING QUADRANT	<b>2V100</b>	MANUAL OPEN / MANUAL CLOSE	N.A.	N.A.	N.A.
MULTI PRODUCTS	<b>2W100-115/230</b>	POWER OPEN SPRING RETURN	3.0	6	115/230V AC
	<b>2W104</b>	POWER OPEN SPRING RETURN	3.0	6	24V AC
BELIMO	<b>LF24</b>	POWER OPEN SPRING RETURN	4.0	8	24V AC/DC
	<b>LF24-S</b>	POWER OPEN SPRING RETURN C/W AUX. SWITCH	4.0	8	24V AC/DC
	<b>LF24-SR</b>	MODULATING POWER OPEN SPRING CLOSE	4.0	8	24V AC/DC
	<b>LF120</b>	POWER OPEN SPRING RETURN	4.0	8	120V AC
	<b>LF120-S</b>	POWER OPEN SPRING RETURN C/W AUX. SWITCH	4.0	8	120V AC
	<b>LF230</b>	POWER OPEN SPRING RETURN	4.0	8	230V AC
	<b>LF230-S</b>	POWER OPEN SPRING RETURN C/W AUX. SWITCH	4.0	8	230V AC
	<b>NFB24-SR</b>	MODULATING POWER OPEN SPRING CLOSE	7.5	15	24V AC/DC
	<b>NFBUP</b>	POWER OPEN SPRING RETURN	7.5	15	24/120/230V AC/DC
	<b>NFBUP-S</b>	POWER OPEN SPRING RETURN C/W AUX. SWITCH	7.5	15	24/120/230V AC/DC
	<b>AF24-SR</b>	MODULATING POWER OPEN SPRING CLOSE	17.5	35	24V AC/DC
	<b>AFBUP</b>	POWER OPEN SPRING RETURN	17.5	35	24/120/230V AC/DC
	<b>AFBUP-S</b>	POWER OPEN SPRING RETURN C/W AUX. SWITCH	17.5	35	24/120/230V AC/DC