

G-DDE SERIES

Centrifugal, Forward Curved, Direct Drive
with EC Motors DWDI Blowers



with
EC MOTORS
for energy savings



FEATURES

- High efficiency motor.
- Corrosion resistant G90 galvanized housing.
- Universal base for 4 position discharge.
- Heavy duty, resilient mount, motor mounting bracket.
- EC Motor offers true variable speed operation and up to 70% energy savings over PSC motors.
- Counter clockwise is standard. Clockwise available on request.

PERFORMANCE SPECIFICATIONS

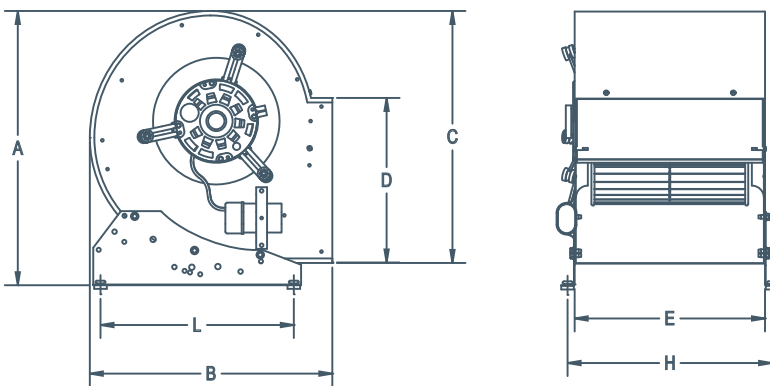
MODEL	MOTOR			AIRFLOW (CFM @ Static Pressure)														
	HP	Variable Speed	Max RPM	1/8"			1/2"			1"			1 1/4"			1 1/2"		
				RPM	CFM	FEI	RPM	CFM	FEI	RPM	CFM	FEI	RPM	CFM	FEI	RPM	CFM	FEI
G9-DDE	1/2	Y*	1200	800	1925	-	930	1900	-	1175	1300	-	1200	300	-	-	-	-
G9-DDE	1	Y*	1200	900	2500	0.87	1100	2300	1.01	1200	1750	1.23	1200	300	1.05	-	-	-
G10-DDE	1/2	Y*	1200	700	2200	-	850	1900	-	1050	1400	-	1200	1100	-	1200	200	-
G10-DDE	1	Y*	1200	875	2800	0.97	975	2600	1.12	1125	2500	1.18	1200	2100	1.34	1200	200	1.1
G12-10-DDE	1/2	Y*	1200	525	2700	-	610	2300	-	810	1700	-	925	1400	-	1050	1100	-
G12-10-DDE	1	Y*	1200	650	3500	1.01	710	3200	1.2	850	2800	1.31	920	2500	1.31	1000	2200	1.35

* Minimum motor speed 425 RPM (EC Models)

EC motors can be controlled using the built in potentiometer on motor or by using a 0 to 10 V controller, or by a remote potentiometer.

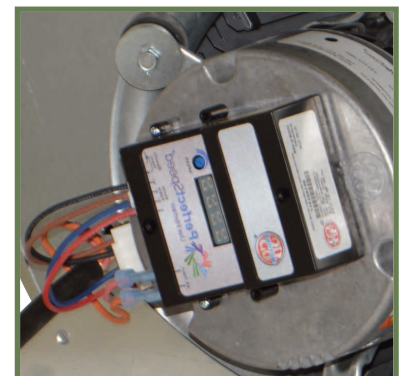
REVIEW FAN CURVES BEFORE ADJUSTING RPM TO ENSURE LOAD DOES NOT EXCEED MOTOR HP.

DIMENSIONS



MODEL - HP	A	B	C	D	E	H	L	WEIGHT (lbs) without motor
G9-DDE	16 15/16"	15 1/16"	15 9/16"	10 1/4"	11 13/16"	12 13/16"	11 3/4"	37
G10-DDE	19"	16 3/4"	17 3/8"	11 3/8"	13 1/8"	14 1/8"	13 3/8"	42
G12-10-DDE	22 1/8"	19 1/2"	20 5/8"	13 7/16"	13 1/8"	14 1/8"	16 1/8"	47
G12-10-DDE	22 1/8"	19 1/2"	20 5/8"	13 7/16"	13 1/8"	14 1/8"	16 1/8"	47

UNIVERSAL BASE FOR 4 POSITION DISCHARGE



HEAVY DUTY MOTOR MOUNTING BRACKET