



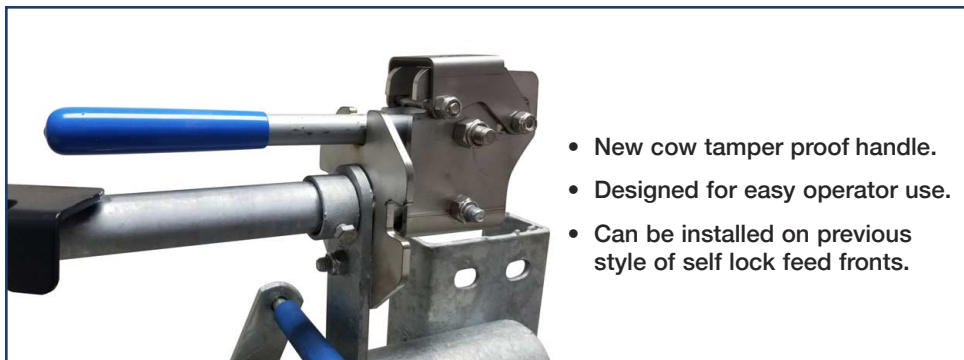
## FEATURES

- Quick & easy individual or group lock and release.
- Available in 8', 10' or 12'.
- Counterweight system ensures swingers stay open when empty.
- Strong, durable, hot dipped galvanized metal for extreme longevity.
- Dual action swinger provides safe operation for cattle.
- Completely customizable.

Save time and increase animal comfort when handling your cows, heifers and calves with Canarm AgSystems' Open Top Self Locking Feed Fronts. They ensure cow health & safety with individual panic release buttons on each headlock. Lock all your cows down at once or individually to easily identify and treat them in one location. Our unique counterweight system ensures your stalls stay open when empty.

**QUIET**

**SUPERIOR  
COW HEALTH  
AND SAFETY**



- New cow tamper proof handle.
- Designed for easy operator use.
- Can be installed on previous style of self lock feed fronts.



*Proudly*

**Made in Canada**

**CANARM LTD. - Corporate Office**  
PO Box 367 2157 Parkedale Ave.,  
Brockville, ON  
Canada K6V 5V6  
Tel: (613) 342-5424 Fax: 1-800-263-4598

**Arthur Manufacturing Facility**  
#7686 Concession 16, RR 4  
Arthur, ON  
Canada N0G 1A0  
Tel: (519) 848-3910 Fax: (519) 848-3948

**Montréal Warehouse**  
2555 Rue Bernard Lefebvre  
Laval, PC  
Canada H7C 0A5  
Tel: (450) 655-2535 Fax: (450) 665-0910

**CANARM LTD. - USA Warehouse**  
808 Commerce Park Drive  
Ogdensburg, New York,  
USA 13669  
Tel: 1-800-267-4427 Fax: 1-800-263-4598



## SELF LOCKING FEED FRONTS FOR CALVES

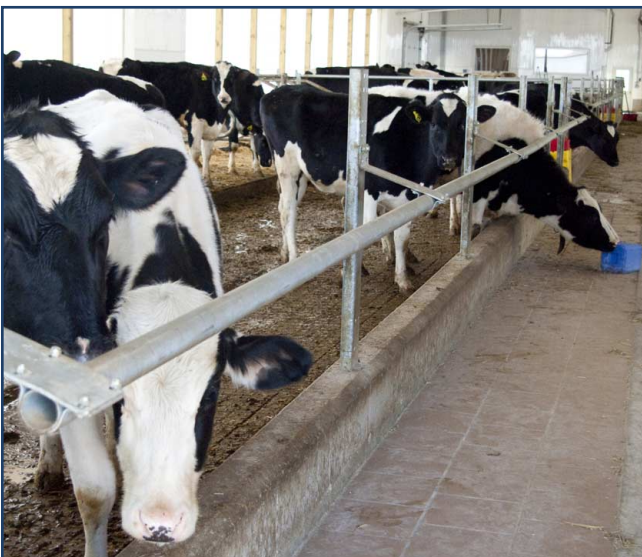
### FEATURES

- Quick & easy individual or group lock and release.
- Available in 8', 10' or 12'.
- Counterweight system ensures swingers stay open when empty.
- Strong, durable, hot dipped galvanized metal for extreme longevity.
- Dual action swinger provides safe operation for calves.
- Completely customizable.
- For calves up to 6 months old.

## ANGLED FEED FRONT

### FEATURES

- Designed to reduce feed wastage.
- In order to back out of the angled feed front, the cow must turn its head sideways, making it difficult for the animal to pull feed through the openings into the pen.
- Uprights are clamped, therefore the neck openings can be easily adjusted to the exact size required.
- Also available with welded uprights.
- Options available for all stages of development.



## ADJUSTABLE RAIL BRACKET

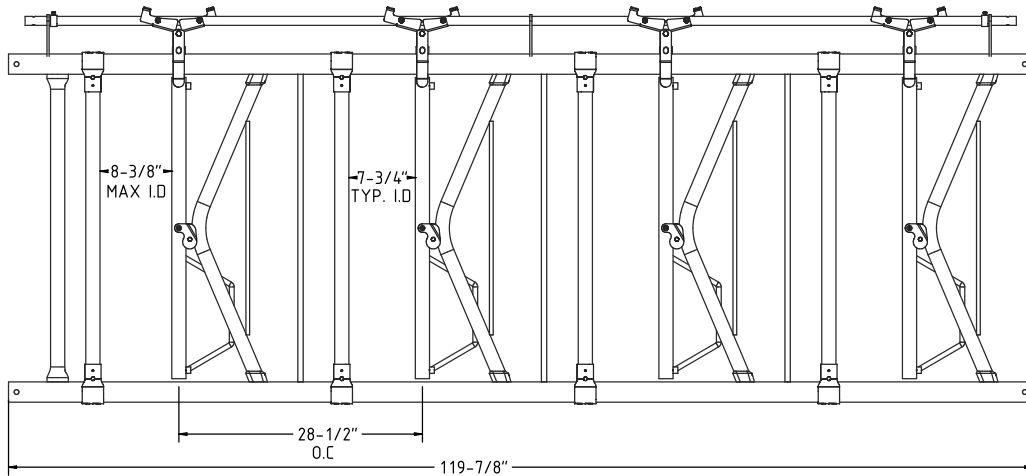
### FEATURES

- Cost efficient.
- Adjustable to meet the needs of your cows.
- Open concept for your cows.
- May be removed at a later date and self locking feed front installed on existing posts.



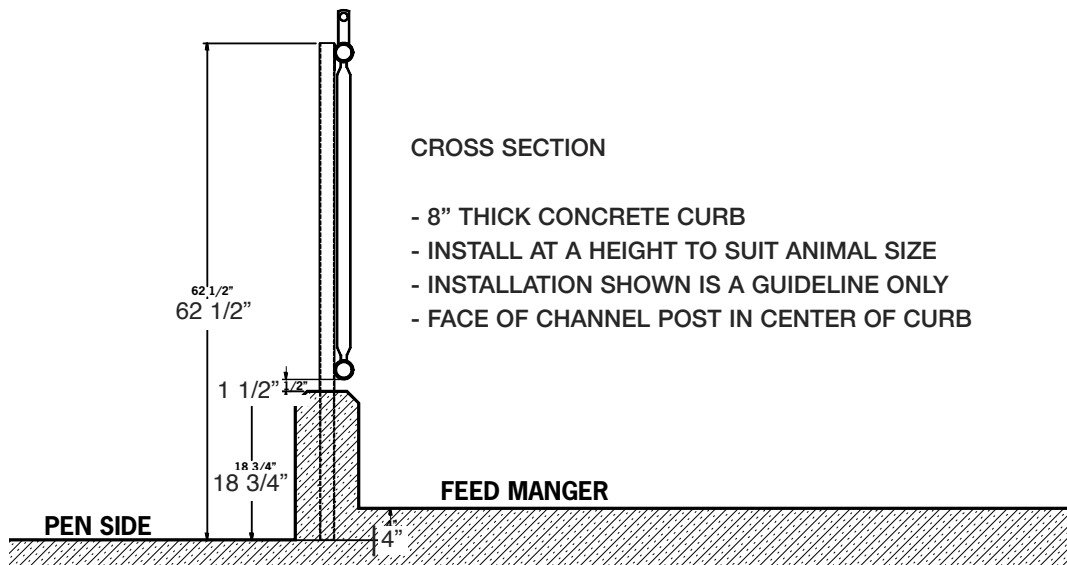
8' SELF LOCK - 1380008 (3 OPENINGS)  
12' SELF LOCK - 1380012 (5 OPENINGS)

10' SELF LOCK - 1380010 (4 OPENINGS)



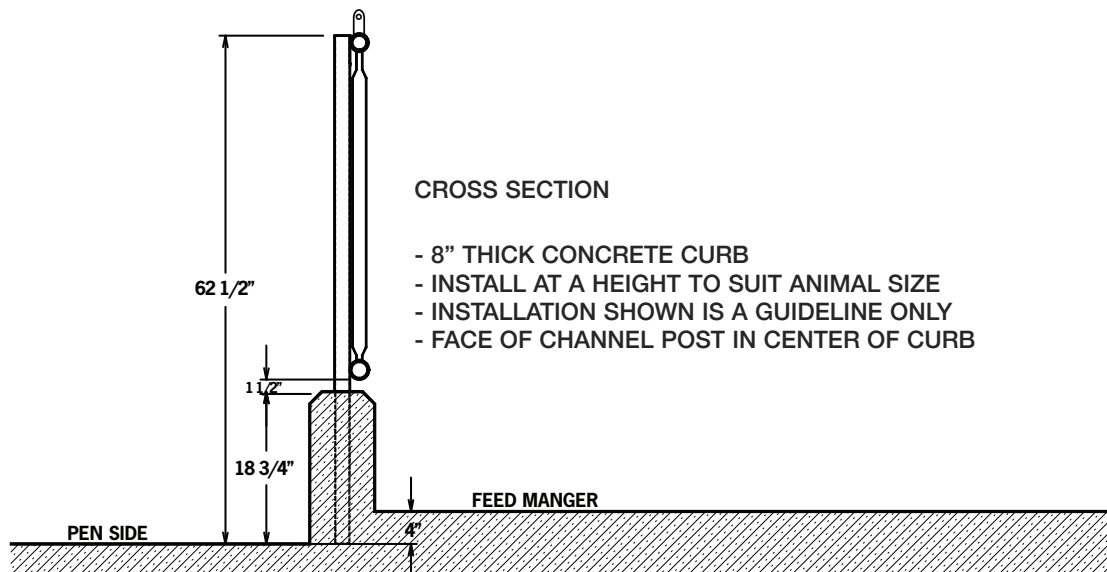
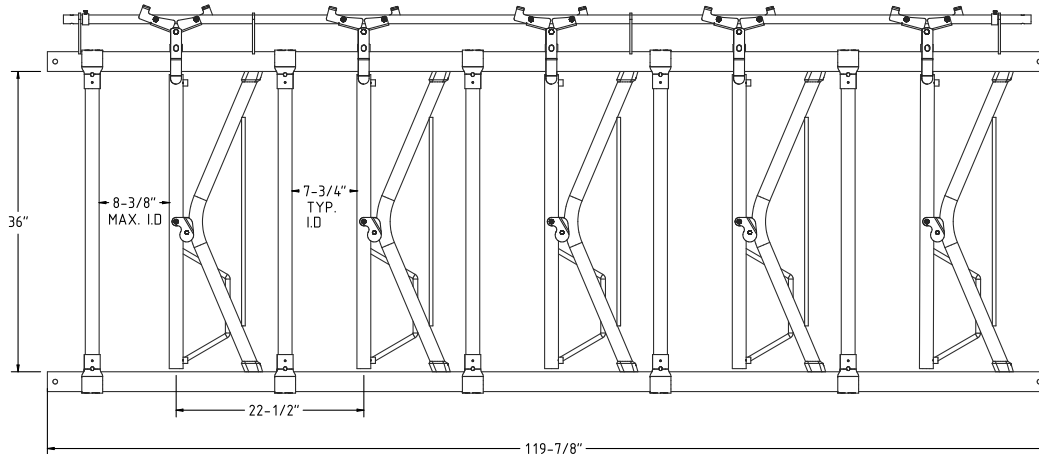
**CROSS SECTION**

- 8" THICK CONCRETE CURB
- INSTALL AT A HEIGHT TO SUIT ANIMAL SIZE
- INSTALLATION SHOWN IS A GUIDELINE ONLY
- FACE OF CHANNEL POST IN CENTER OF CURB



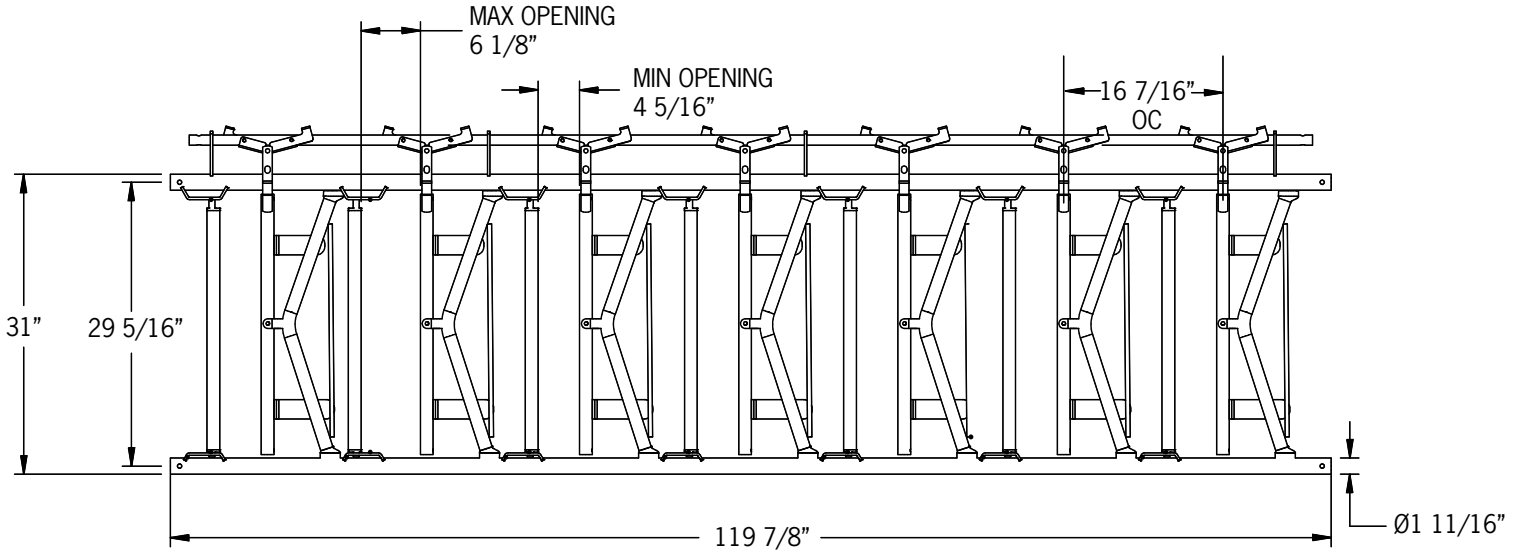
8' SELF LOCK - 1370008 (4 OPENINGS)  
12' SELF LOCK - 1370012 (6 OPENINGS)

10' SELF LOCK - 1370010 (5 OPENINGS)



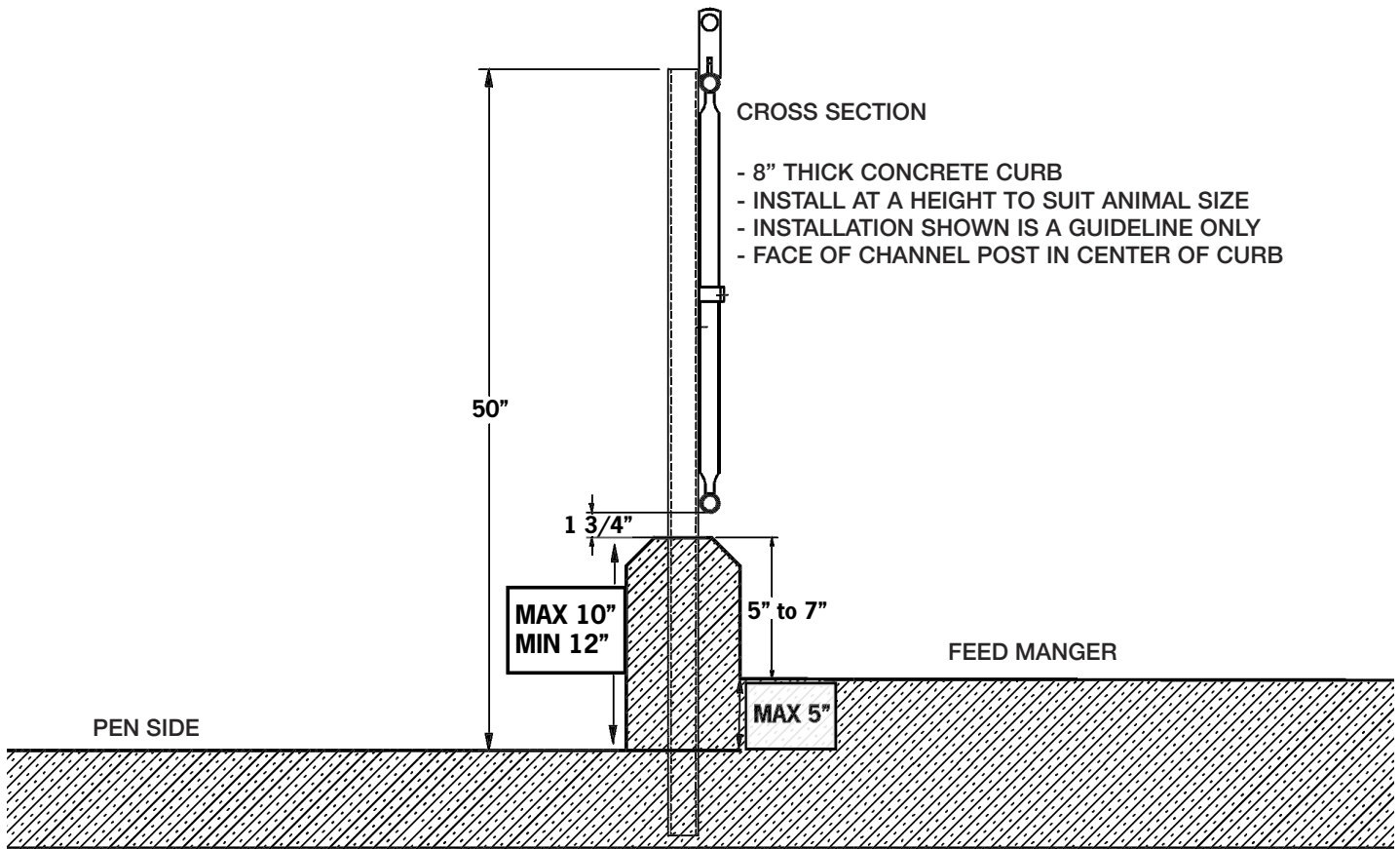
ASSEMBLY

(1360010) 10' SELF LOCK FRONT

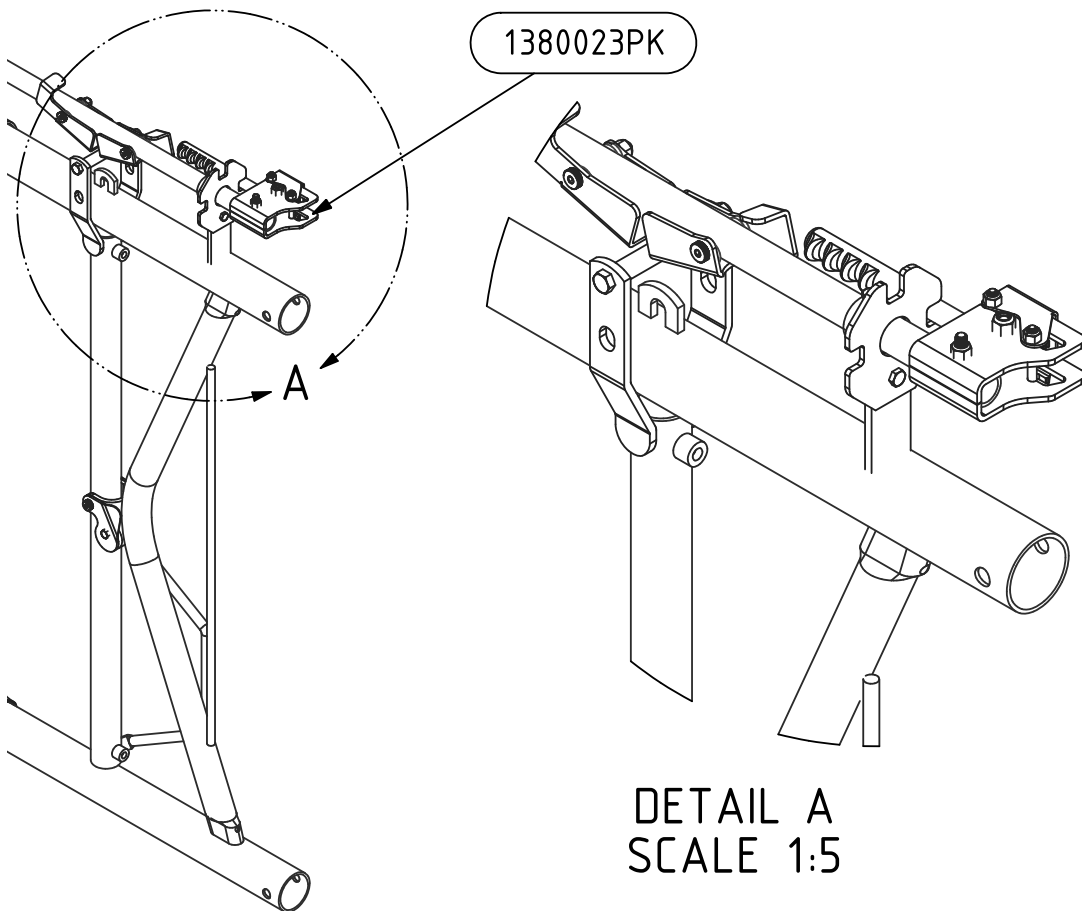


CROSS SECTION

- 8" THICK CONCRETE CURB
- INSTALL AT A HEIGHT TO SUIT ANIMAL SIZE
- INSTALLATION SHOWN IS A GUIDELINE ONLY
- FACE OF CHANNEL POST IN CENTER OF CURB



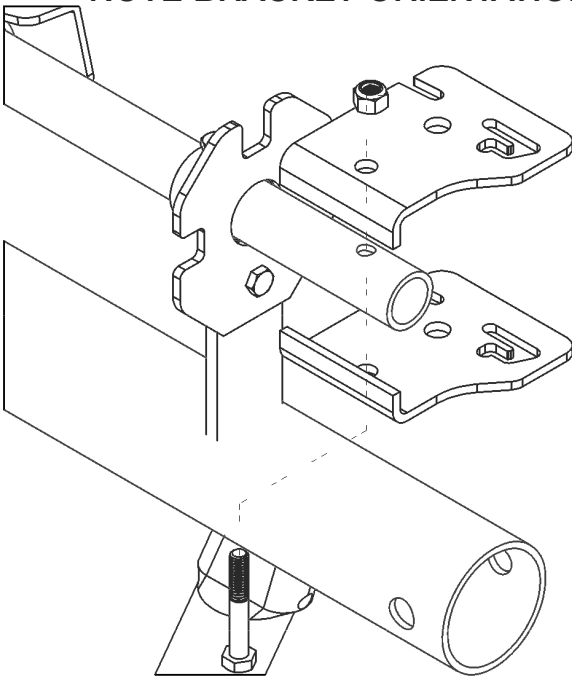
## SELF LOCK HANDLE



## INSTALLATION INSTRUCTIONS

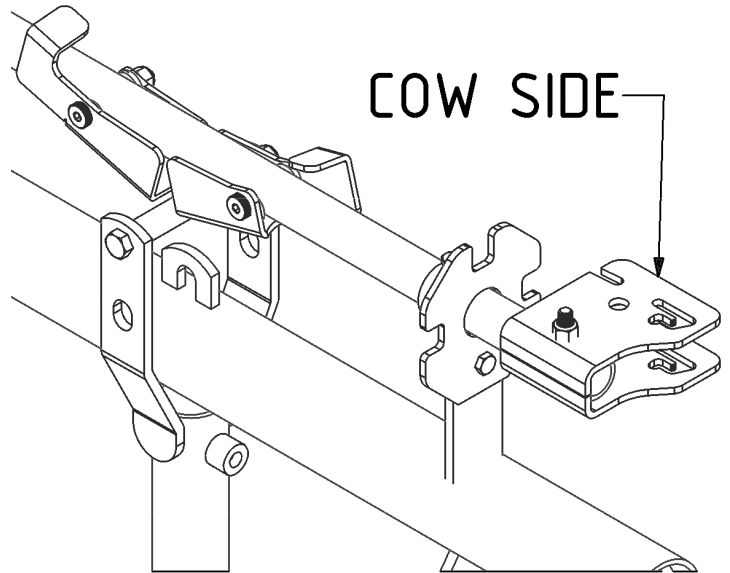
### STEP #1

NOTE BRACKET ORIENTATION

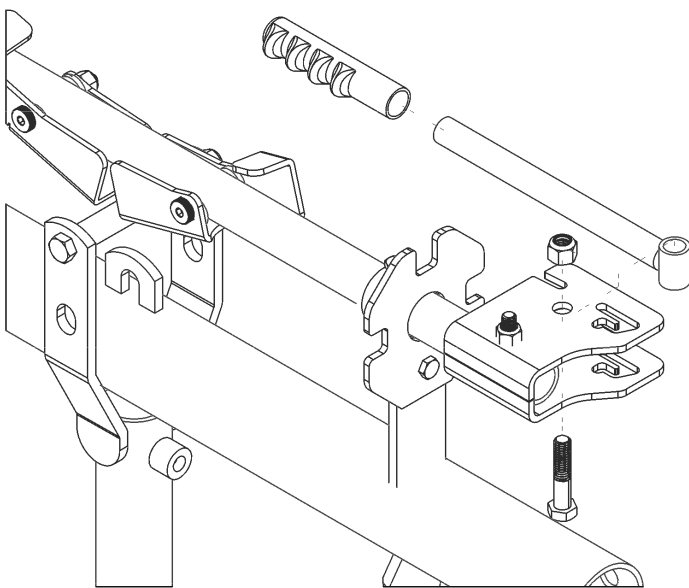


### STEP #2

COW SIDE

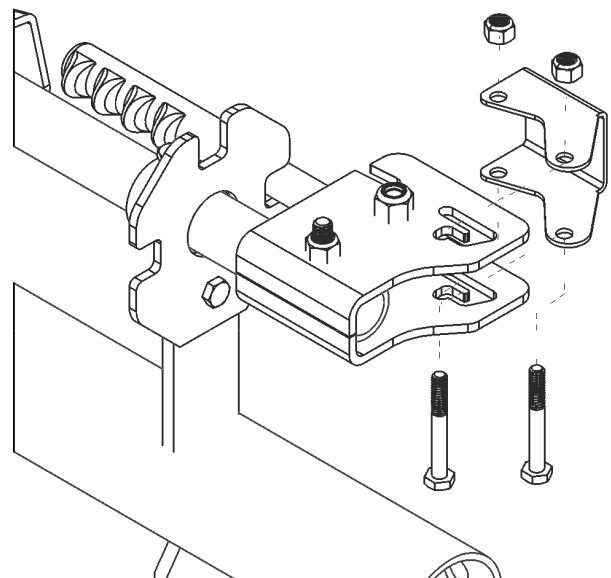


### STEP #3

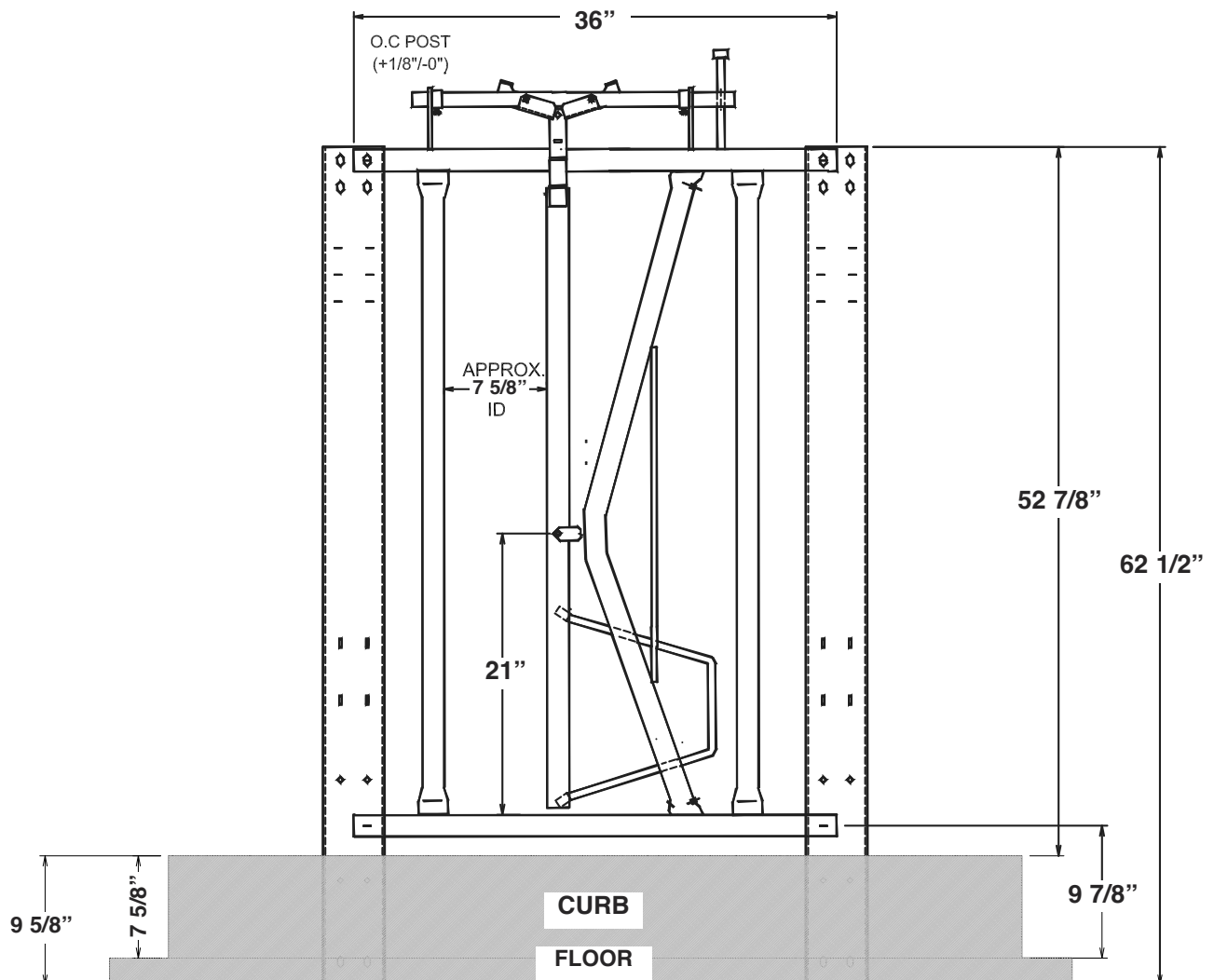


### STEP #4

NOTE BRACKET ORIENTATION

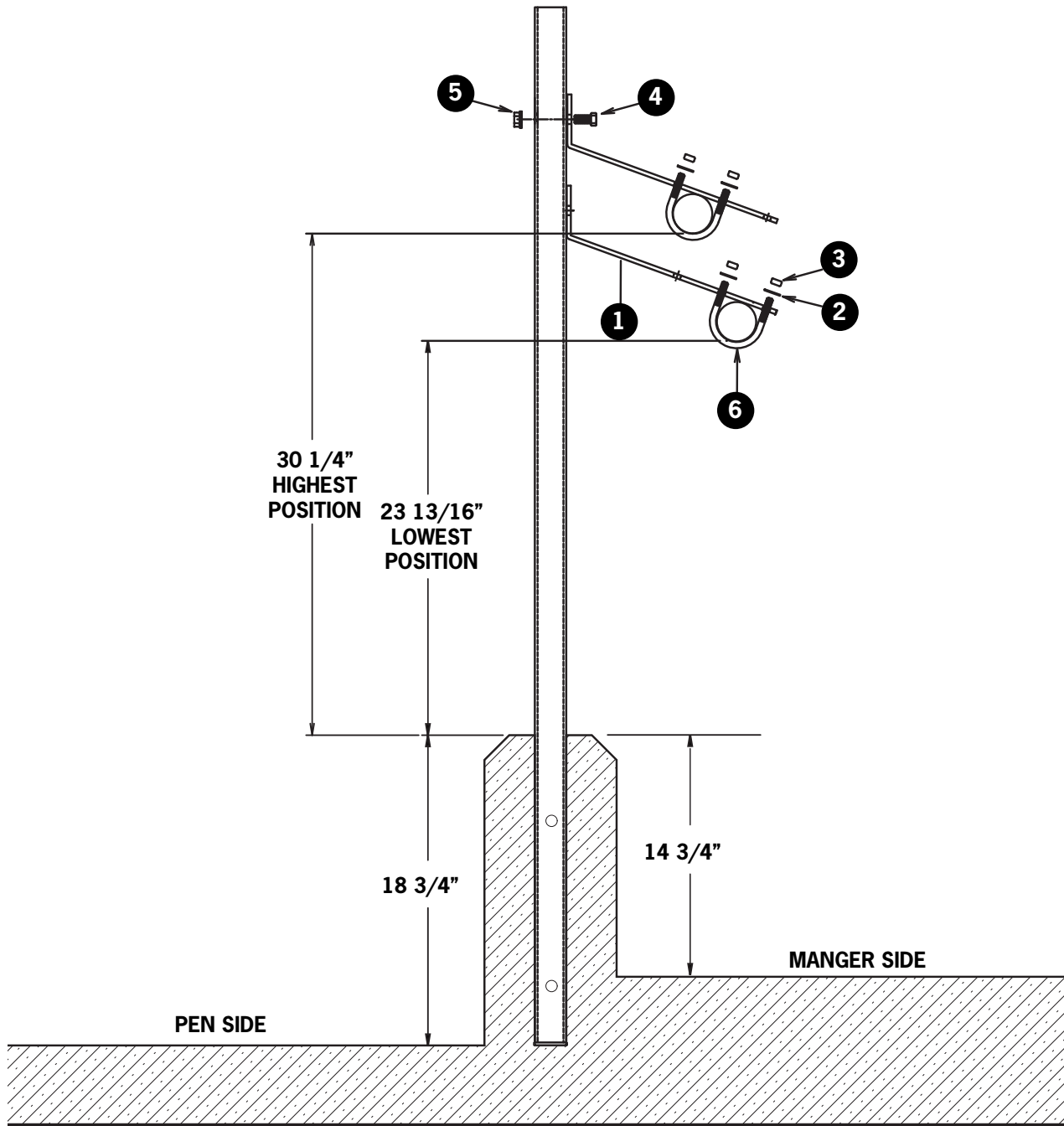


1390030





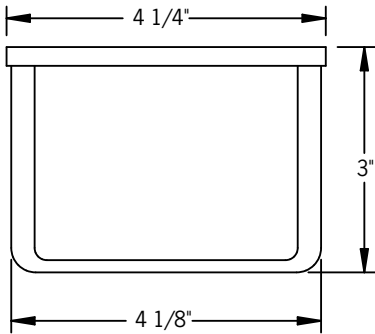
ASSEMBLY



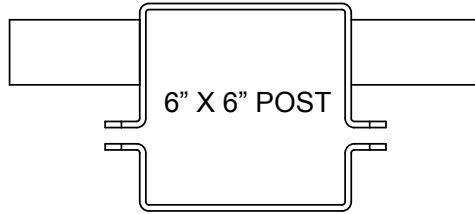
ADJ RAIL BKT - 2 3/8"FL (BX/3) 1316706-3

ILLUS.	DESCRIPTION	QTY/PKG
1	ADJ. RAIL BRACKET	3
2	520 WASHER	12
3	520 WASHER	12
4	BOL 1/2-1 HSS	6
5	NUT 1/2 FSS	6
6	520 U BOLT	6

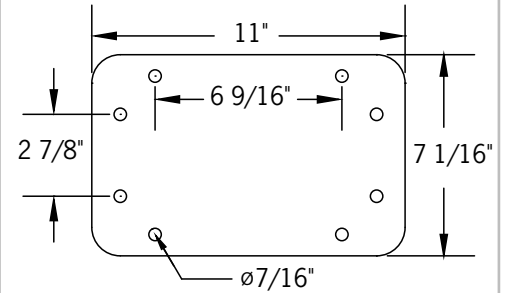
**1325123 - 3" SELF CHANNEL POST TOP SPACER**



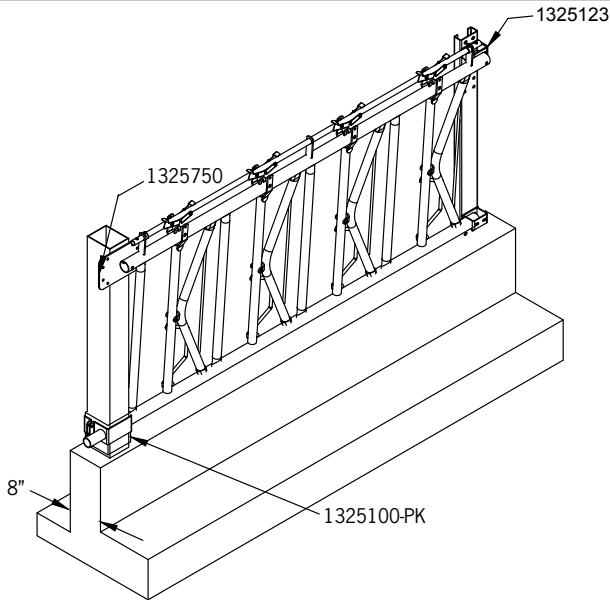
**1325100-PK - POST CLAMP FOR SELF ON 6"x 6" POST WITH SLEEVES**



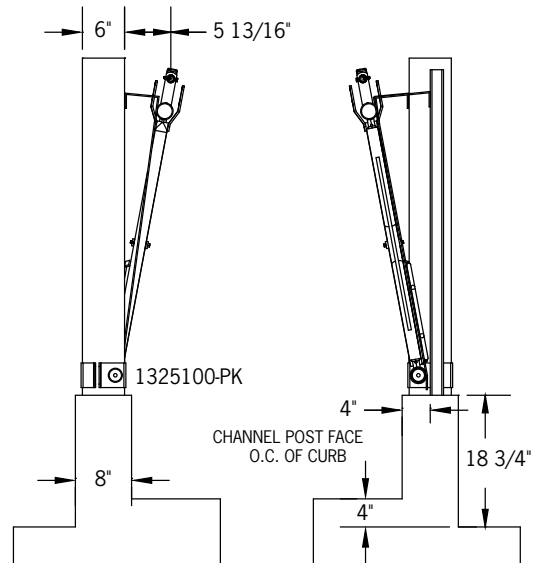
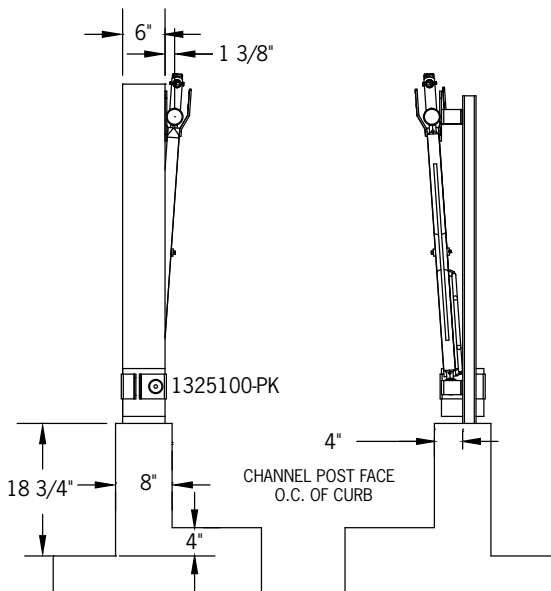
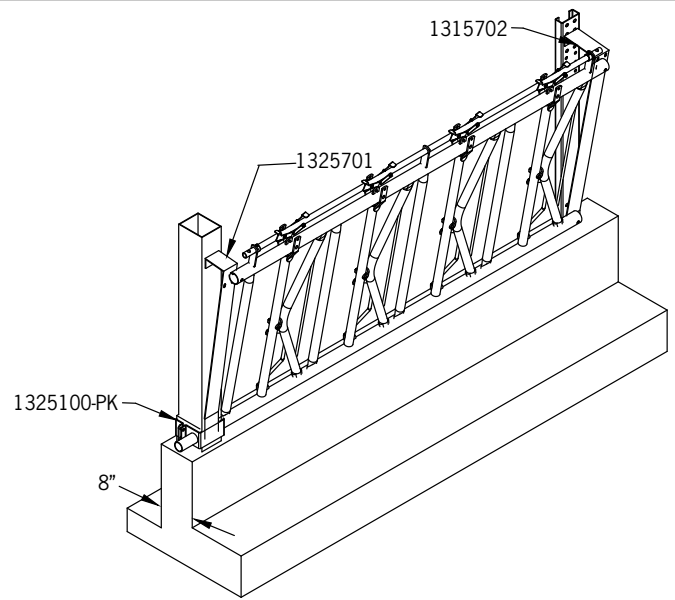
**1325750 - GALV SELF MOUNT PLATE FOR 6" POST**



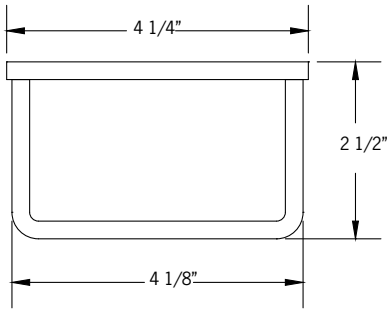
**STRAIGHT MOUNT  
6" X 6" POST**



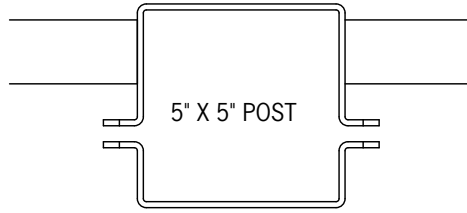
**ANGLE MOUNT  
6" X 6" POST**



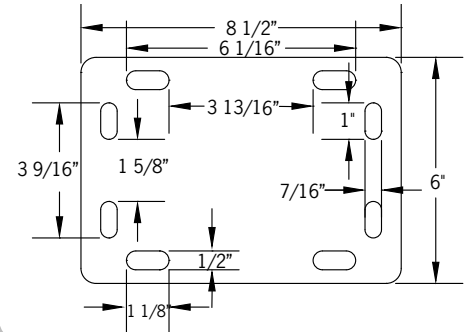
**1325122 - 2" SELF CHANNEL POST TOP SPACER**



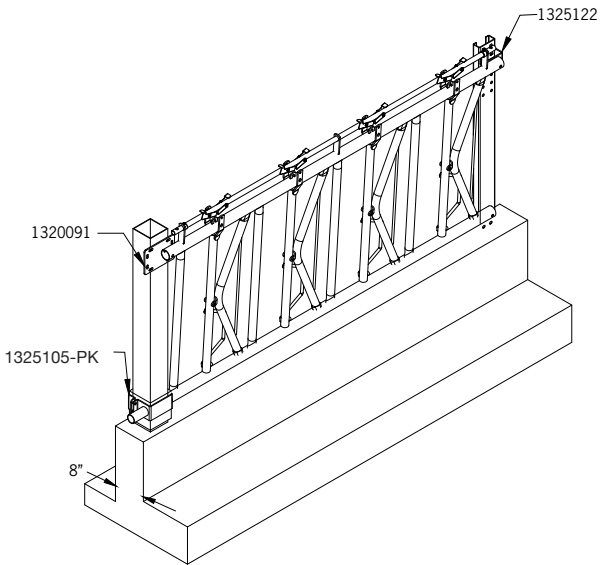
**1325105-PK - POST CLAMP FOR SELF ON 5"x 5" POST WITH SLEEVES**



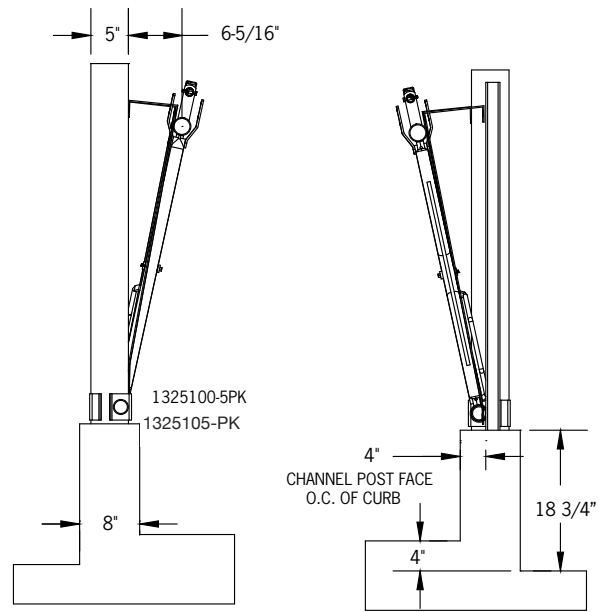
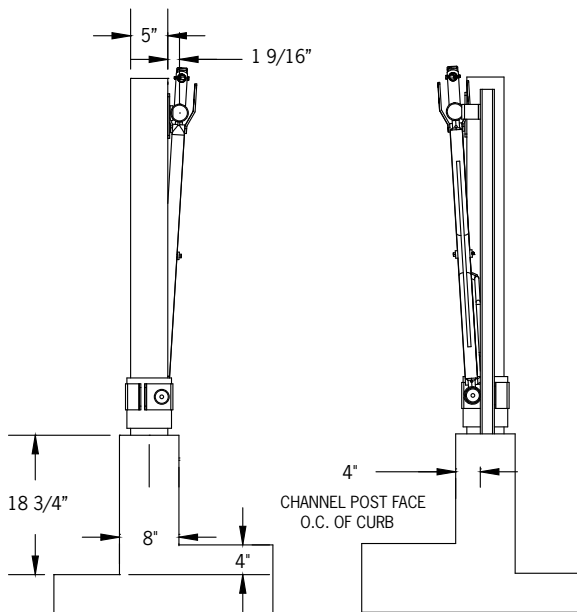
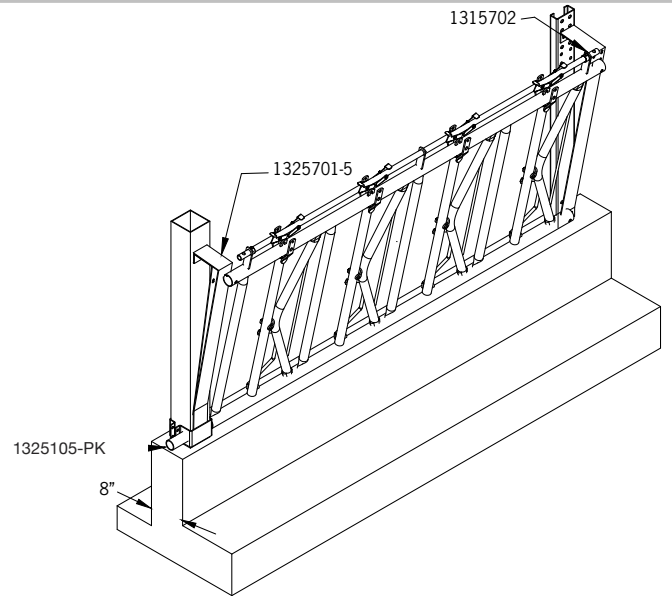
**1320091 - GALV SELF MOUNT PLATE FOR 4" OR 5" POST**



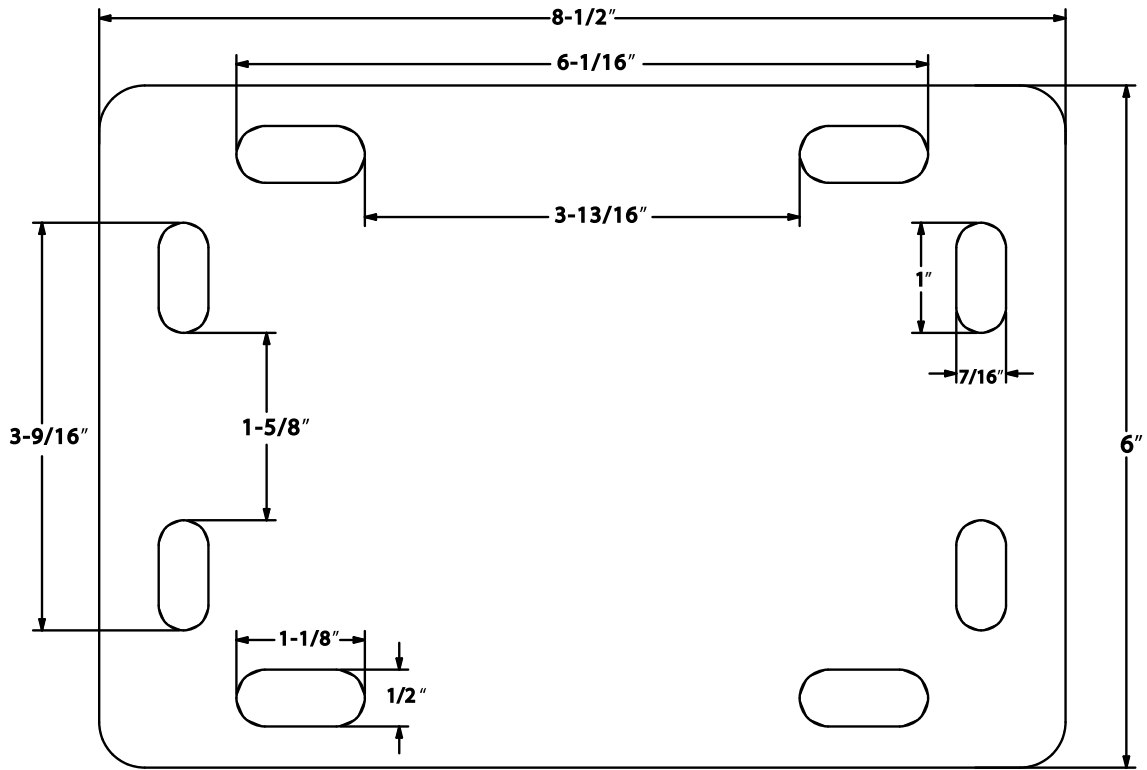
**STRAIGHT MOUNT  
5" X 5" POST**



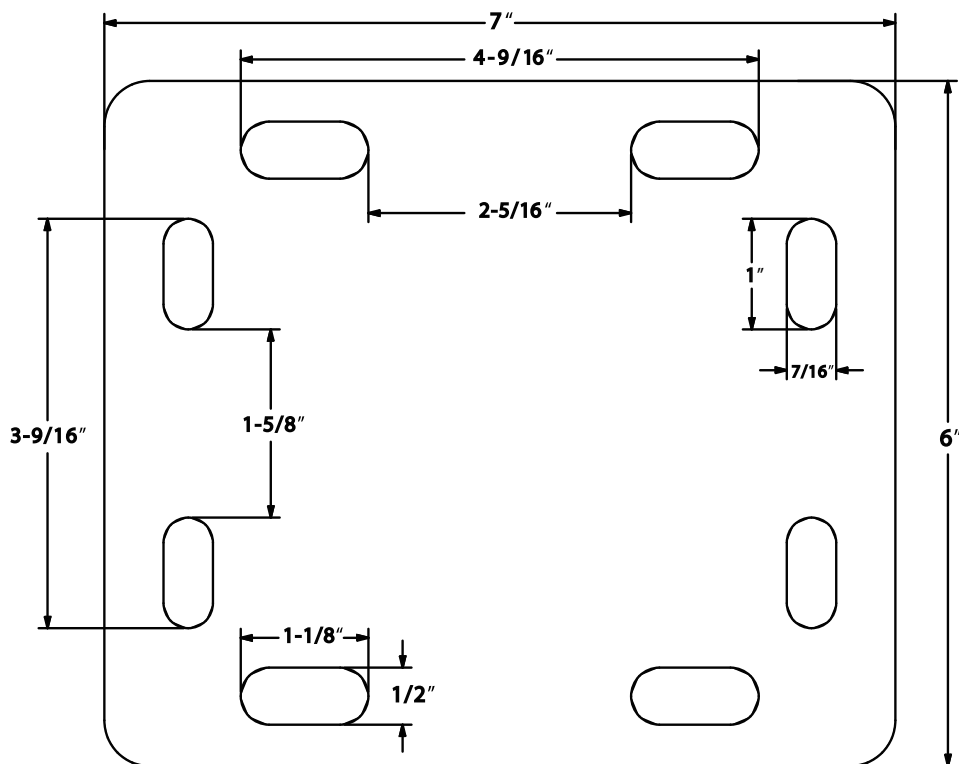
**ANGLE MOUNT  
5" X 5" POST**



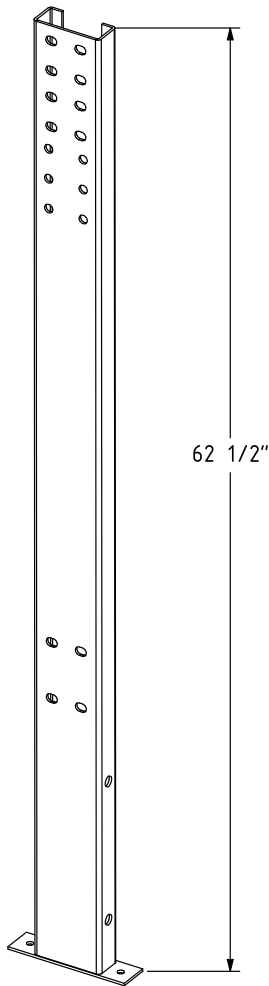
**1320091**  
GALV SLF MOUNT PLATE 4" POST OR 5" POST



**1320090**  
GALV SLF MOUNT PLATE 2 1/2" POST OR 3 1/2" POST



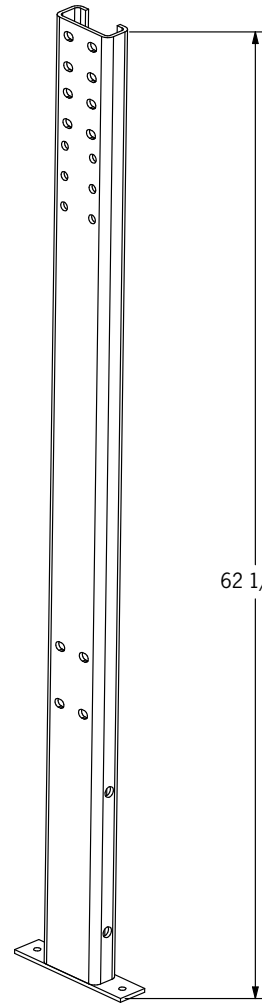
**1315700N-09**  
8 GA. POST & PLATE



NOTE: 4 9/16" WIDE  
1 7/8" DEEP

62 1/2"

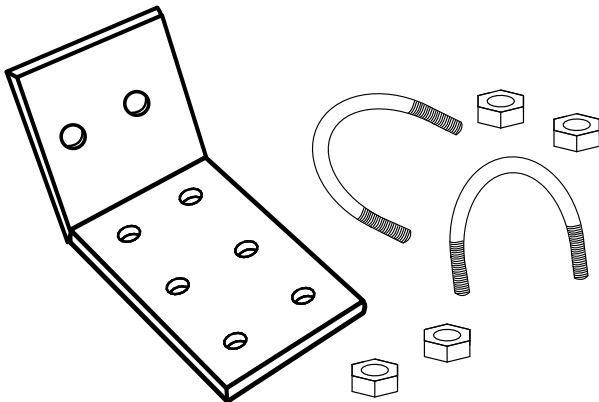
**1315700H**  
1/4" POST & PLATE



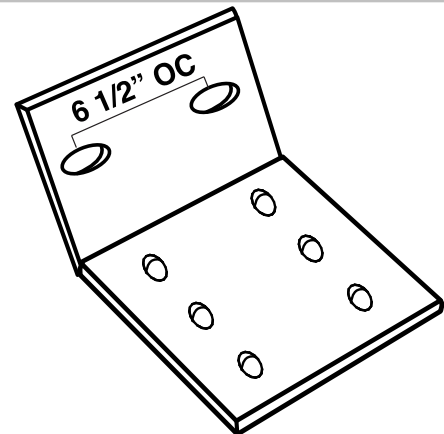
NOTE: 6" WIDE  
2" DEEP

62 1/2"

**1316706-3 - ADJUSTABLE RAIL BRACKET**  
(PKG OF 3) (FOR STANDARD CHANNEL POST)

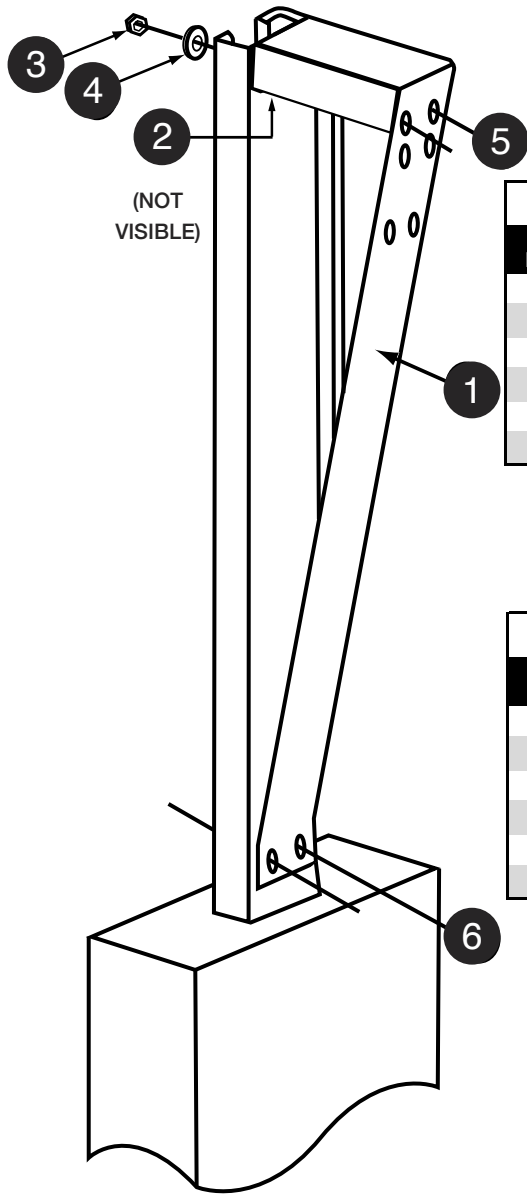


**1316707 - ADJUSTABLE RAIL BRACKET -**  
6 X 6 POST



\* ALSO AVAILABLE FOR OTHER POST SIZES

## ASSEMBLY



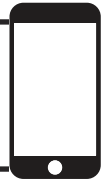
### CALF (1315802)

ILLUS.	DESCRIPTION	PART #	QTY
1	S.L.F. CALF ANGLE MOUNT (BKT ONLY)	1315801	1
2	3/8" X 1" CAR, BOLT (not visible)	BOL3/8-1C	2
3	3/8" NUT	NUT3/8	2
4	7/16" WASHER	WAS7/16	2
5	SELF LOCK BOLTS, 3/8" X 3" HEX	INCL. WITH S.L.F.	
6	SELF LOCK BOLTS, 3/8" X 2 1/2" HEX	INCL. WITH S.L.F.	

### COW & HEIFER (1315702)

ILLUS.	DESCRIPTION	PART #	QTY
1	S.L.F. COW/HEIFER ANGLE MOUNT (BKT ONLY)	1315701	1
2	3/8" X 1" CAR, BOLT (not visible)	BOL3/8-1C	2
3	3/8" NUT	NUT3/8	2
4	7/16" WASHER	WAS7/16	2
5	SELF LOCK BOLTS, 3/8" X 3" HEX	INCL. WITH S.L.F.	
6	3/8" X 3 1/2" HEX BOLT	BOL3/8-3 1/2H	2

**CALL A CANARM AGSYSTEMS' CUSTOMER SERVICE REPRESENTATIVE FOR MORE MOUNTING OPTIONS.**

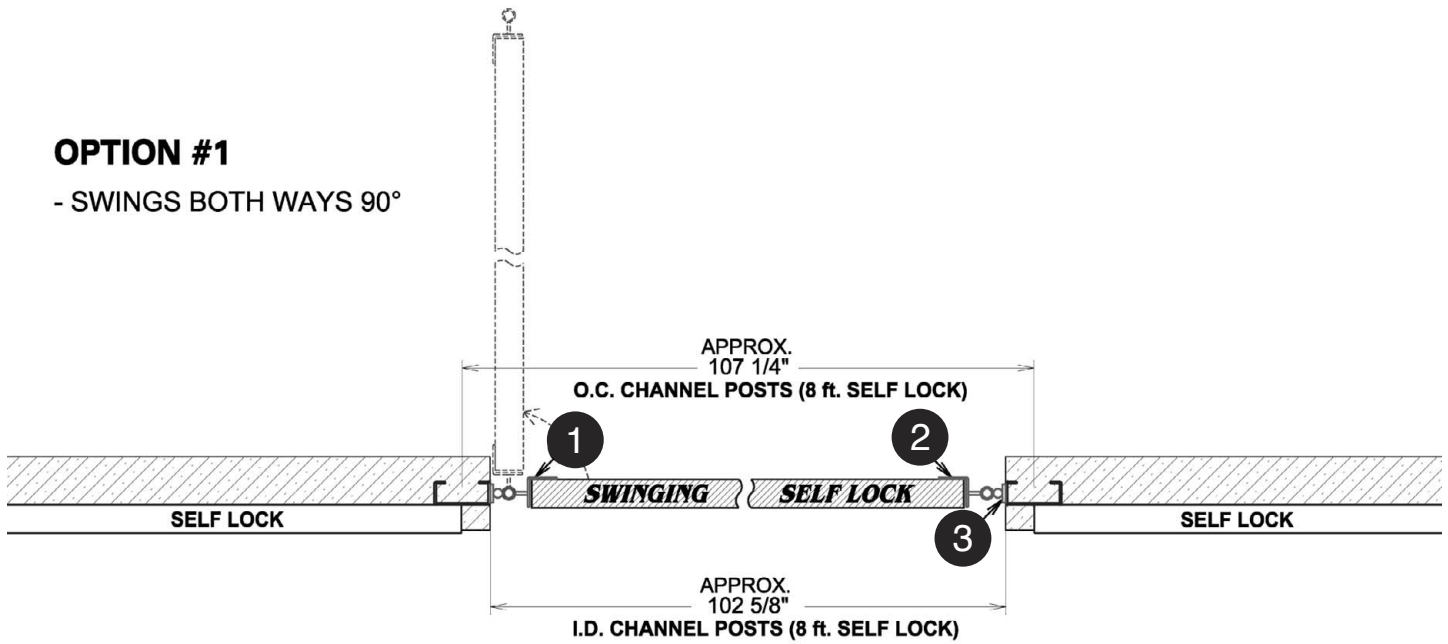


- 1) BOLT THE TOP OF THE BRACKET TO THE TOP OF THE POST WITH THE TWO 3/8" X 1" CAR. BOLTS INCLUDED WITH EACH BRACKET.
- 2) USE BOLT #6 TO FASTEN THE S.L.F. BOTTOM PIPE AND ANGLE MOUNT BRACKET TO THE CHANNEL POST.
- 3) BOLT TOP RAIL OF SELF LOCK TO THE MOUNTING BRACKET WITH THE 3/8" X 3" HEX. BOLTS.

## ASSEMBLY

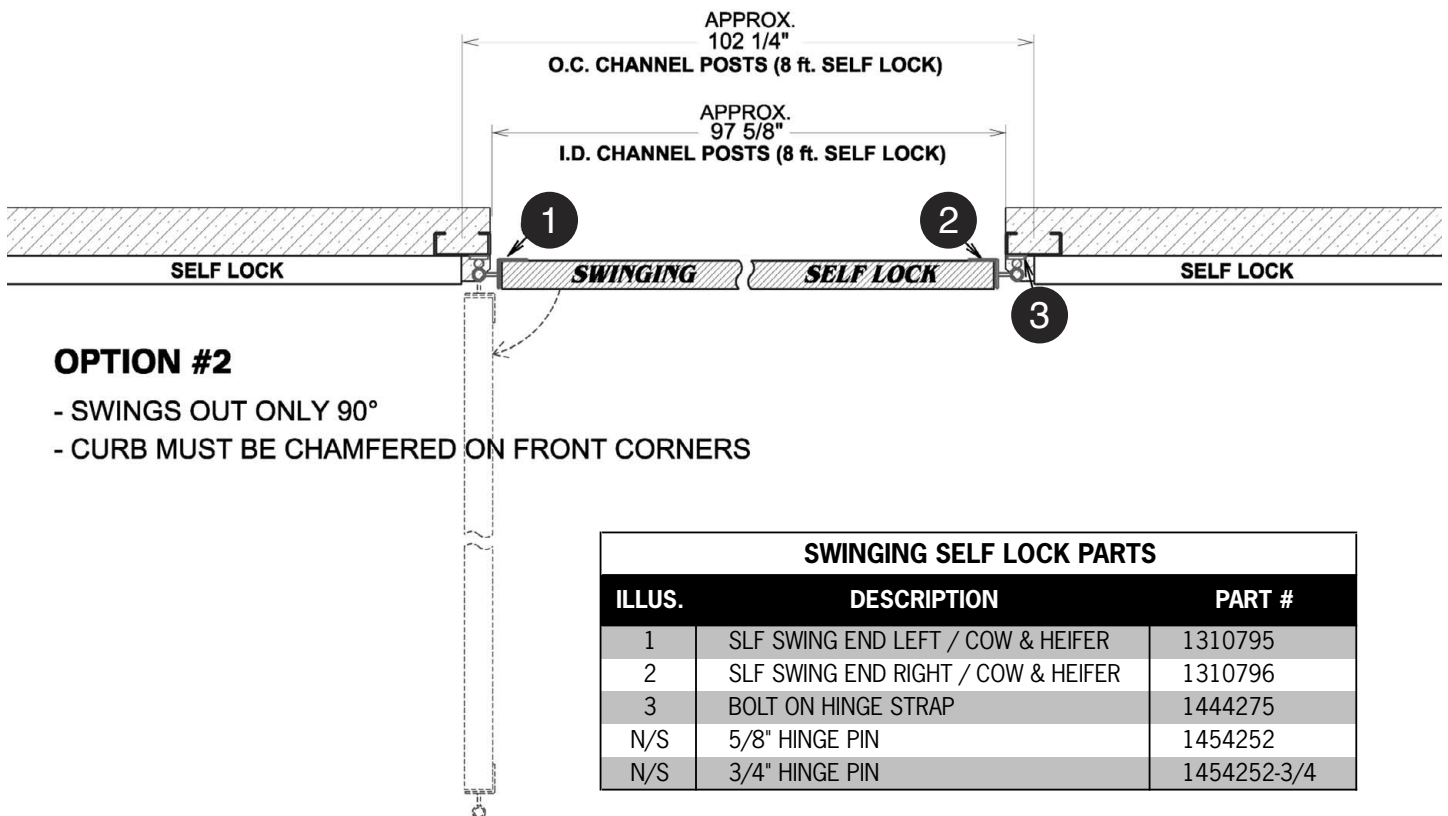
### OPTION #1

- SWINGS BOTH WAYS 90°



### OPTION #2

- SWINGS OUT ONLY 90°  
- CURB MUST BE CHAMFERED ON FRONT CORNERS



### SWINGING SELF LOCK PARTS

ILLUS.	DESCRIPTION	PART #
1	SLF SWING END LEFT / COW & HEIFER	1310795
2	SLF SWING END RIGHT / COW & HEIFER	1310796
3	BOLT ON HINGE STRAP	1444275
N/S	5/8" HINGE PIN	1454252
N/S	3/4" HINGE PIN	1454252-3/4

**1310795 - SLF SWING END  
LEFT / COW & HEIFER (50" LG.)**



**1310796 - SLF SWING END  
RIGHT / COW & HEIFER (50" LG.)**



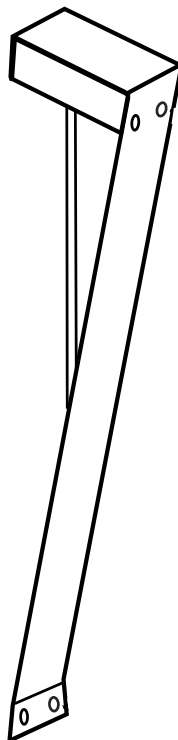
**1454252 - 3/4  
3/4" HINGE PIN**



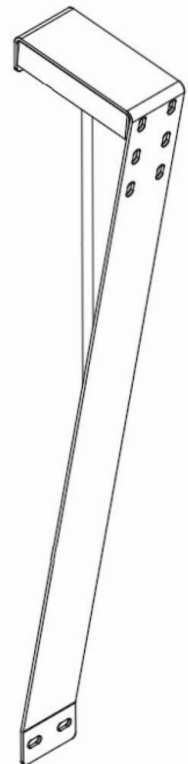
**1444275  
BOLT ON HINGE STRAP**



**1315802 - SLF ANGLE MOUNT  
KIT, CALF 32"**

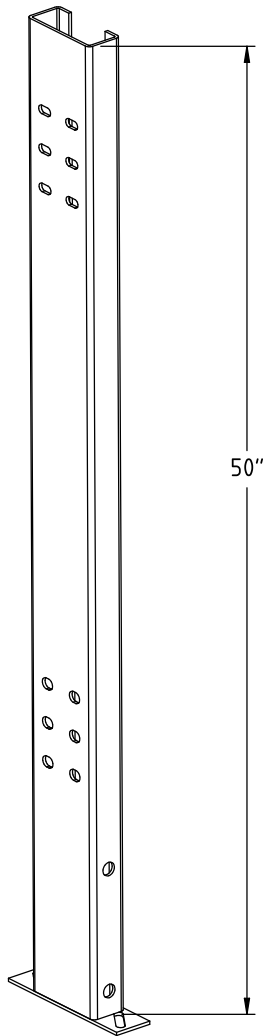


**1315702 - COW/HEIFER SLF ANGLE  
MNT, C/W HDW**





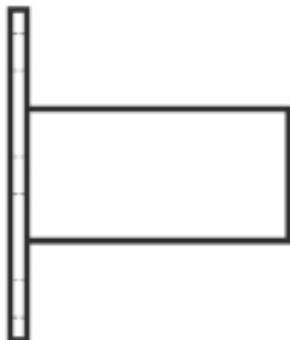
**1315805**  
CALF CHANNEL POST / 50"



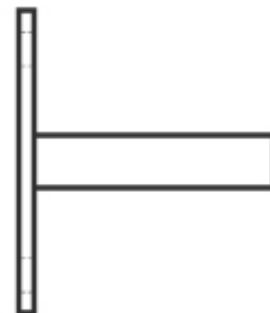
**1380023PK**  
SELF LOCKING FEED FRONT HANDLE



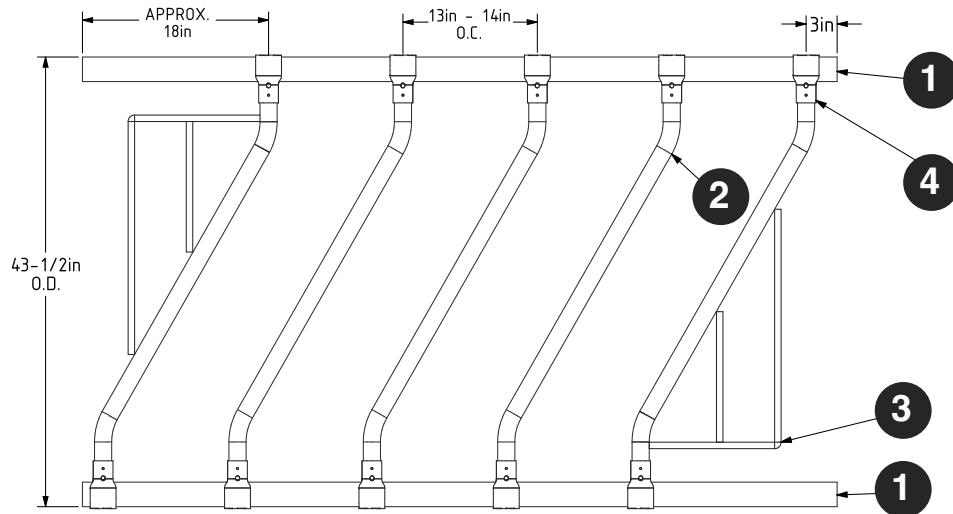
**1110476-5**  
END JOINER (2 3/8" OD PIPE) PKG 5



**1310442-5**  
END JOINER (1 5/8" BOX) BOX 5



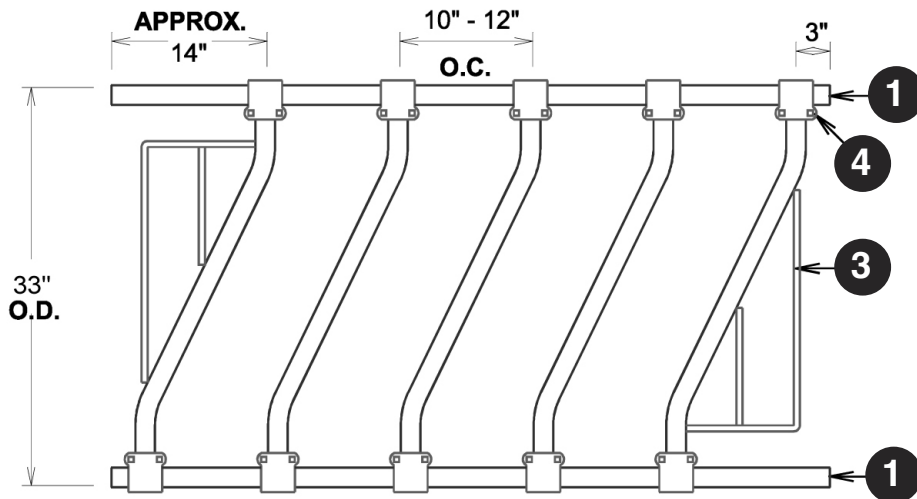
## ASSEMBLY - (COW & HEIFER)



### ANGLED FEED FRONT - COW & HEIFER

ILLUS.	DESCRIPTION	PART #
1	2 3/8" OD GLV. PIPE - 21' LENGTH	1110475-1
2	CLAMPED IN ANGLED UPRIGHT (38" OD)	1310310
3	38" END UPRIGHT C/W FILLER (COW ANGLED FRONT)	1310310E
4	T-CLAMP 2 3/8" - 1 5/8" T-CLAMP (PC) (USE WITH GALV. PIPE)	CL-90240043

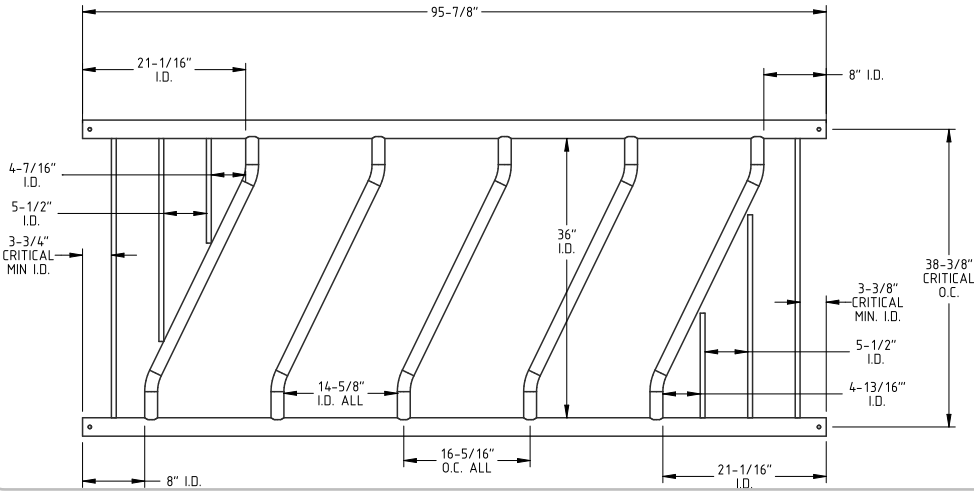
## ASSEMBLY - (CALF)



### ANGLED FEED FRONT - CALF

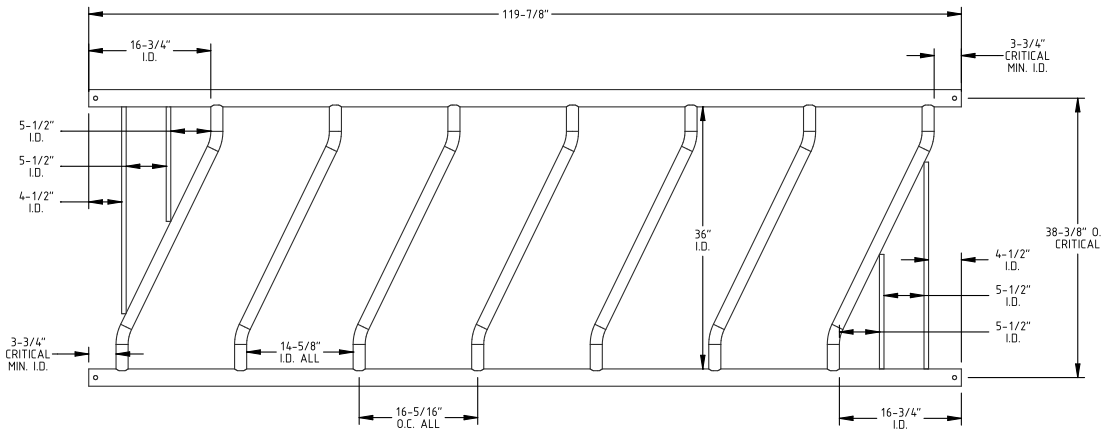
ILLUS.	DESCRIPTION	PART #
1	1 5/8" OD GLV PIPE - 21' LENGTH	1110400-1
2	CLAMPED IN ANGLED UPRIGHT / CALF	1310330N
3	CLAMPED IN ANGLED UPRIGHT END PC. / CALF	1310331N
4	T-CLAMP 1 5/8" - 1 5/8" (BOX OF 10) (USE WITH GALV. PIPE)	101110E-10

**1394008**  
SP 8' LG WELDED ANGLE FEED FRONT (2 3/8" TOP - BOTTOM)



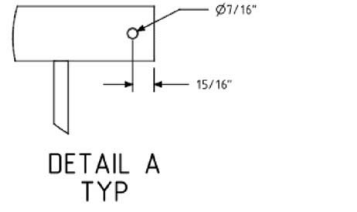
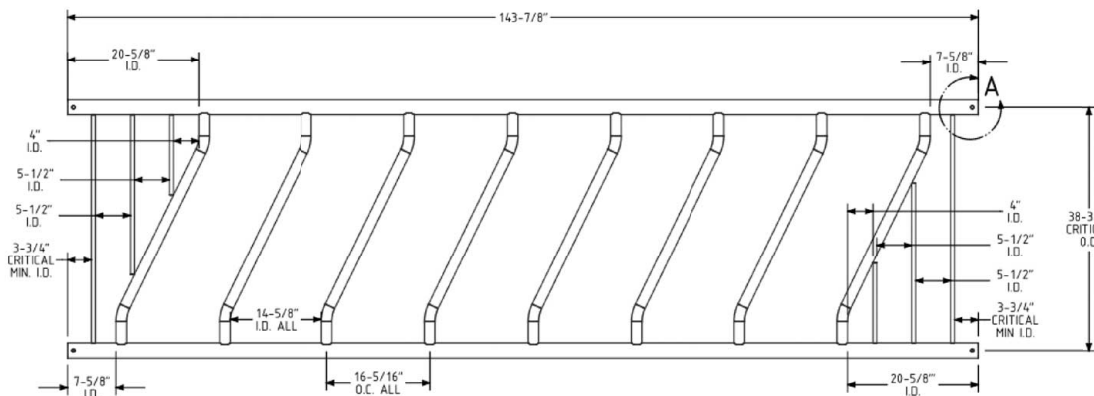
**CALL FOR  
AVAILABILITY  
AND PRICING.**

**1394010**  
SP 10' LG WELDED ANGLE FEED FRONT (2 3/8" TOP - BOTTOM)



**CALL FOR  
AVAILABILITY  
AND PRICING.**

**1394012**  
SP 12' LG WELDED ANGLE FEED FRONT (2 3/8" TOP - BOTTOM)



**CALL FOR  
AVAILABILITY  
AND PRICING.**

## INSTALLATION GUIDELINES FOR FREESTALLS & SELF LOCKING FEED FRONTS

HEIFER SIZE & WEIGHT			FREESTALLS					SELF LOCK FEED FRONTS				
			Freestall Arch Length	PLATFORM LENGTH		Stall Width (o.c.)	(iii) Brisket Locator	(iv) Neckrail	(v) Stall Height	Total Height (Cow Side)	(vi) CURB HEIGHT	
Approx. Age (months)	Approx. Weight (lbs)	Height To Top Of Back	Single Stalls	Double Stalls						Cow Side	Feed Side	
Birth	100		55"	106"	26"	40"-43"	39"-41"	35"	44"	10"	5"	Adj. Calf
1	150	41"	55"	106"	27"	42"-45"	41"-43"	36"	46"	10"	5"	Adj. Calf
2	200		56"	106"	28"	44"-47"	43"-45"	37"	46"	12"	7"	Adj. Calf
3	275	42"	57"	111"	30"	45"-48"	44"-46"	37"	48"	12"	7"	Adj. Calf
4	350	44"	58"	111"	31"	47"-50"	46"-48"	40"	48"	12"	7"	Adj. Calf
5	400	48"	60"	132"	32"	49"-52"	47"-49"	42"	50"	15"	11"	Adj. SLF
6	450	49"	60"	132"	33"	50"-53"	48"-50"	42"	50"	15"	11"	Adj. SLF
7	500	50"	60"	134"	35"	52"-54"	50"-52"	43"	50"	15"	11"	Adj. SLF
8	550	51"	60"	136"	36"	52"-55"	54"-56"	43"	50"	15"	11"	Adj. SLF
9	600	51"	60"	136"	37"	56"-59"	54"-56"	44"	52"	15"	11"	Adj. SLF
10	700	52"	60"	139"	38"	56"-59"	55"-58"	44"	52"	15"	11"	Adj. SLF
11	750	53"	72"	139"	39"	56"-59"	55"-58"	45"	54"	15"	11"	Adj. SLF
12 (i)	800	55"	72"	159"	40"	57"-60"	57"-59"	45"	54"	15"	11"	Adj. SLF
13 (i)	850	55"	72"	159"	40"	58"-61"	57"-59"	46"	56"	15"	11"	Adj. SLF
14 (i)	900	55"	72"	163"	42"	58"-62"	58"-61"	46"	56"	18"	14"	Adj. SLF
15 (i)	950	56"	72"	163"	42"	58"-62"	59"-62"	46"	58"	19"	14"	Cow
16	1010	56"	72"	166"	44"	59"-62"	59"-62"	47"	58"	19"	14"	Cow
17	1060	58"	72"	166"	44"	59"-62"	60"-64"	47"	60"	19"	14"	Cow
18	1120	58"	79"	175"	46"	59"-62"	60"-64"	48"	60"	19"	14"	Cow
19	1150	60"	79"	175"	46"	62"-65"	64"-68"	48"	60"	19"	14"	Cow
20	1190	60"	79"	180"	46"	64"-67"	64"-68"	48"	61"	19"	14"	Cow
21	1230	60"	79"	180"	47"	65"-68"	66"-70"	49"	61"	19"	14"	Cow
22	1270	60"	88"	192"	48" +	70"	70"-72"	49"-51"	62"-63"	19"	14"	Cow
23	1310	60"	96"	216"	50"-52"	70"	70"-72"	50"-52"	62"-63"	19"	14"	Cow
24 (ii)	1350	58"-60"	96"	216"	50"-52"	70"	70"-72"	50"-52"	62"-63"	19"	14"	Cow
Cows (std.)	85" loop	58"-60"										
*Cows (std.)	94" loop*	58"-60"										

USE CALF PENNING FOR ANIMALS UNDER 200 LBS. (See Calf Suites Section)

**GUIDELINES ONLY! MUST INSTALL FREESTALLS TO MATCH ANIMAL SIZE**

i = breeding age

ii = calving age

iii = horizontal distance from rear of platform to bottom of brisket bracket

iv = horizontal distance from rear of platform to o.c. neckrail

v = stall height from top of compressed bedding (or mat) to bottom of headrail

vi = 1 1/2" space between curb and bottom pipe of SLF

\* new recommendations for 1600 lb. + cows (must use 101169-10 clamp for 85" & 94" loops)

**SPREAD DIVIDERS TO MATCH THE INSTALLATION HEIGHTS GIVEN**

## FEED FRONTS

1. Order feed fronts
  - Specify 28 1/2" spacing or 22 1/2" spacing.
  - Cow is 41" high, and calf is 30" high.
2. Order channel posts
  - One more than number of sections (if in one row).
  - Order extra posts if adding walk throughs in row.
3. Order handles
  - One for each run of SLFF (max 80' per handle).

### OPTIONAL:

1. Order angle mount brackets - one per channel post (tilt out self lock option).
2. Order end joiners if ending at a wall.

### TO ORDER A SWINGING SLFF SECTION:

1. Order one of each SLFF swing ends (left and right).
2. Order one 3/4" pin - for hinge end.  
Order one 5/8" pin - for latch end.
3. Order two bolt on hinge straps for walls and channel post.

## ANGLED FEED FRONTS - COW

1. Order Uprights, T-clamps and end up-rights (c/w filler)

Example: 120" - (18" for start and finish) / (13" - 14" oc) = 7 openings

Parts needed: 6 uprights + 2 end uprights + 16 T-clamps

## ANGLED FEED FRONTS - CALF

1. Order Uprights, T-clamps and end up-rights (c/w filler)

Example: 120" - (15" for start and finish) / (10" - 12" oc) = 9 openings

Parts needed: 8 uprights + 2 end uprights + 20 T-clamps

## COW

		6'	8'	10'
1110475-1	21' LG GALV. 2 3/8" PIPE	.6	.7	.9
1310310	ANGLED UPRIGHT	3	4	6
1310310E	ANGLED UPRIGHT END FILLER	2	2	2
CL-90240043	T-CLAMP 2 3/8" x 1 5/8" 1 PC	10	12	16

## CALF

		6'	8'	10'
1110400-1	21' LG GALV. 1 5/8" PIPE	.6	.7	.9
1310330N	ANGLED UPRIGHT	4	6	8
1310331N	ANGLED UPRIGHT END FILLER	2	2	2
101110E-10	T-CLAMP (BOX OF 10)	1.2	1.6	2.0