

FAROMOR

PRP Chimney

INSTALLATION MANUAL



P.O. Box 279
Shakespeare, ON
NOB 2P0

1-800-960-4002
www.faromor.com

February 2018

Table of Contents

Page 3	-	Introduction
	-	General Considerations
Page 4	-	Framing Details
Page 5	-	Parts List
Page 6-17	-	Installation Instructions:
		<i>Page 6: Chimney wall layout</i>
		<i>Page 6: Chimney wall assembly</i>
		<i>Page 7: Chimney damper assembly</i>
		<i>Page 7: Chimney wall completion</i>
		<i>Page 8: Spring and cable connection</i>
		<i>Page 8: Leg attachment</i>
		<i>Page 9: Roof Assembly</i>
		<i>Page 9-11: Birdscreen installation</i>
		<i>Page 12: Inserting chimney into roof</i>
		<i>Page 12: Roof flashing and caulking</i>
		<i>Page 13: Duct extensions</i>
		<i>Page 13: Capping bottom of chimney</i>
		<i>Page 14: Cabling of dampers and winch</i>
		<i>Page 15: Cables Below Ceiling</i>
		<i>Page 16: Cables in the Attic</i>
		<i>Page 17: Winch mounting</i>
Page 18	-	“Finishing Tips and Touches”
Page 18	-	Warranty Policy

Introduction

Livestock and poultry producers increasingly embrace the **Faromor Chimney** as a superior concept to ridge exhaust. Higher air exit velocity of the chimney, achieved with less ridge opening, results in more equal air exchange throughout the structure and minimizes undesirable down-drafts and rain or snow entry.

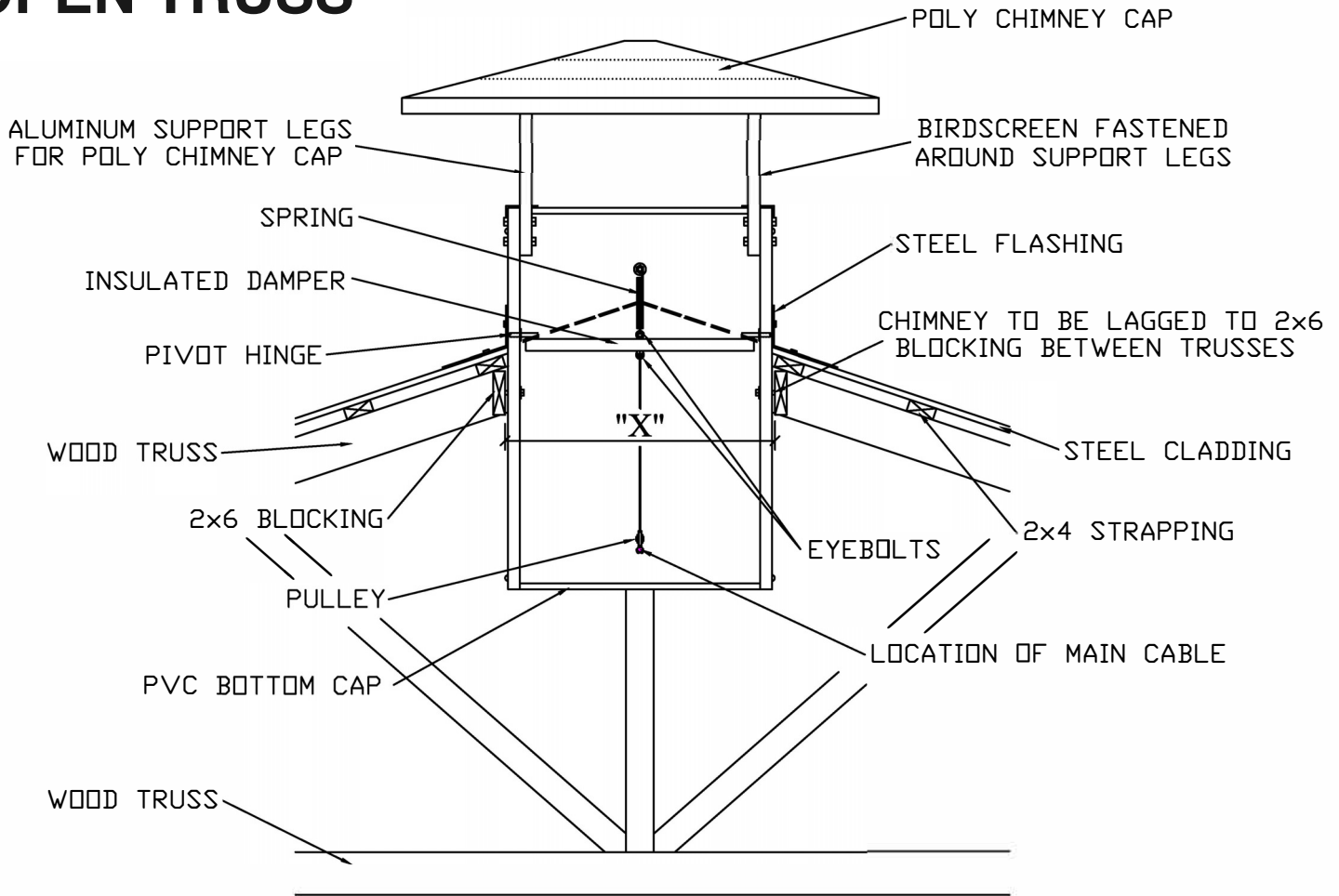
In colder geographical regions (such as Canada and the Northeast USA) the **Faromor Chimney** is a good choice for all natural ventilation applications. It is beginning to gain acceptance in those applications that traditionally employed open ridge designs.

General Considerations

**Please read the following notes prior to installing the FRP Chimney:

- 1) Verify framing details are correct, as per page 4, to assure installation will work properly.
- 2) Read all instructions prior to beginning installation to familiarize yourself with parts and terminology.
- 3) Watch for “Faromor Tips” on installation pages for pointers that will assist with installation.
- 4) Please read final page “Finishing Tips and Touches” before completing installation.

OPEN TRUSS



RIDGE VIEW OF PRP CHIMNEY

FRAMING OPENING:

CHIMNEY
SIZE:

ROUGH SIZE
OPENING ("X")

24" PRP CHIMNEY
30" PRP CHIMNEY
36" PRP CHIMNEY

26-1/4" x 26-1/4"
30-1/2" x 30-1/2"
38-1/4" x 38-1/4"

NOTES:

FASTEN CHIMNEYS INTO PLACE USING
#12 x 3 1/2" LONG WOOD SCREWS

ABOVE DETAILS FOR SALES PURPOSES ONLY.
SEE DETAILED FRAMING DRAWINGS FOR MORE
INFORMATION.

FAROMOR
A CANARM COMPANY

#7686 Concession 16, RR 4
Arthur, ON, Canada N0G 1A0
Tel: (519) 848-3910

TITLE: RIDGE MOUNTED PRP CHIMNEY IN OPEN CEILING

PROJECT / OWNER:

DRAWN: FEBRUARY 2004

DWG. FILE: 05-FRP-RIDGE-OPEN

Parts Listing

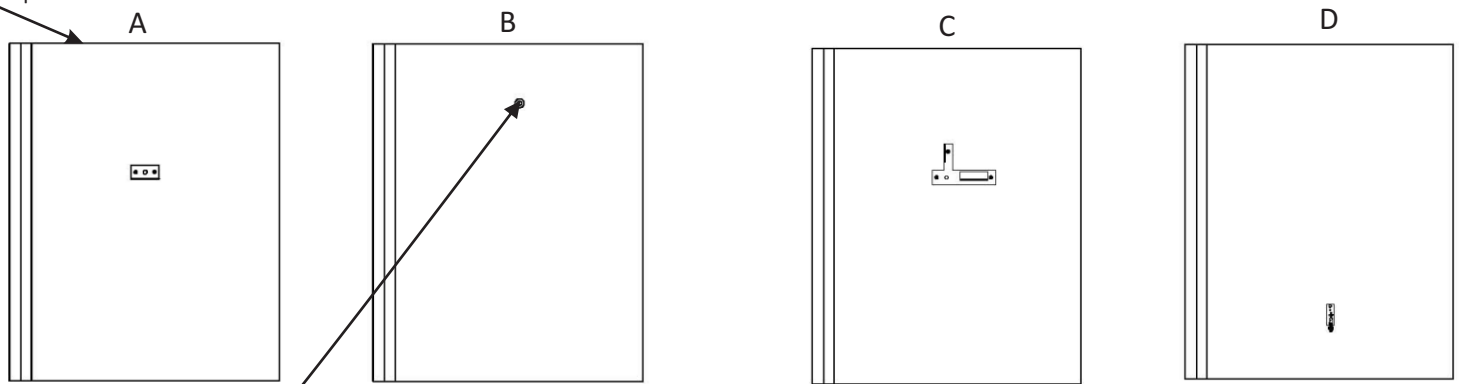
Item #	Part #	Description	Picture
1	05-200-15 05-200-16 05-200-17	30" x 30" chimney section 36" x 36" chimney section 24" x 24" chimney section	
2	05-210-15-01	Chimney cap for FRP chimney	
3	05-201-17 05-201-15 05-201-16	24" x 24" damper complete 30" x 30" damper complete 36" x 36" damper complete	
4	05-210-17-02	Chimney leg only for 24" chimney	
5	05-210-15-02	Chimney leg only for 30"/36" chimney	
6	20-300-34	White caulking	
7	BSHCS141 WSBW14 NSLN14RL	1/4" X 1" s.s. bolt 1/4" s.s. body washer 1/4" s.s. locknut	
8	01-300-01	S.S. pivot hinge	
9	08-142-15	S.S. chimney pulley and plate	
10	RCHERMATE	Cherry Mate rivet	

Item #	Part #	Description	Picture
11	05-210-01-10	10" s.s. chimney spring	
12	Bp516x212 NPHN5818 WPFW37515	Plastic bolt Plastic nut Plastic washer	
13	MEB55108 WSB516x1	S.S. eyebolt 5/16" s.s. body washer	
14	PVCENDCAP	PVC "C" channel for end cap	
15	08-200-17-04	1/8" galv cable clamp	
16	04-113-02	Plastic poultry netting 2'	
17	09-200-10-18	Black wire ties	
18	08-100-18	1/8" s.s. cable	
19	08-100-20	Manual winch and bracket	
20	05-210-17-01 05-210-15-08 05-210-16-01	Chimney rod	
21	05-210-15-07	Plastic push-on cap - white for rods	

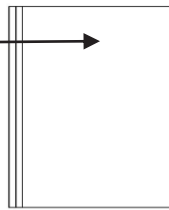
Chimney Wall Layout

**If chimney is pre-assembled
- skip to page 8!

****Note:** When assembling chimneys ensure that all four sides have the capped edge to the top.

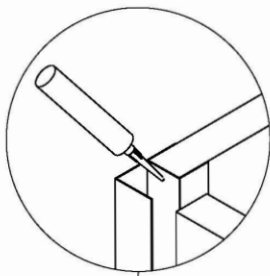


****Note:** If panel B does not have hole pre-drilled, use template shown and drill 3/8" hole prior to assembly.

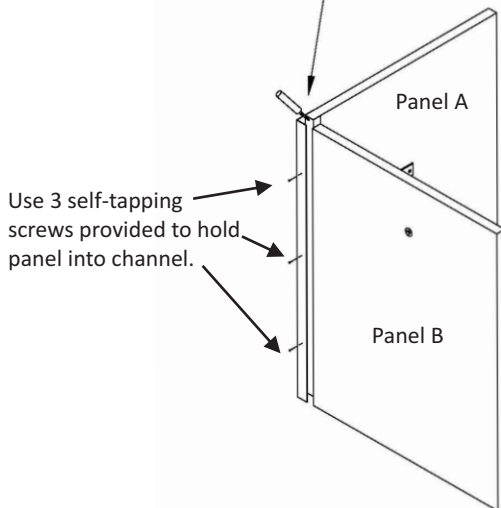


Hole to be located 8" down from top of panel and centred across the width.

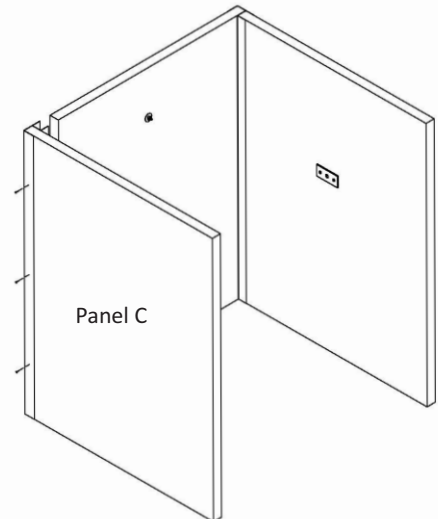
Chimney Wall Assembly



Put sealant along both inner sides of channel on panel A, then insert panel B into corner channel of panel A.

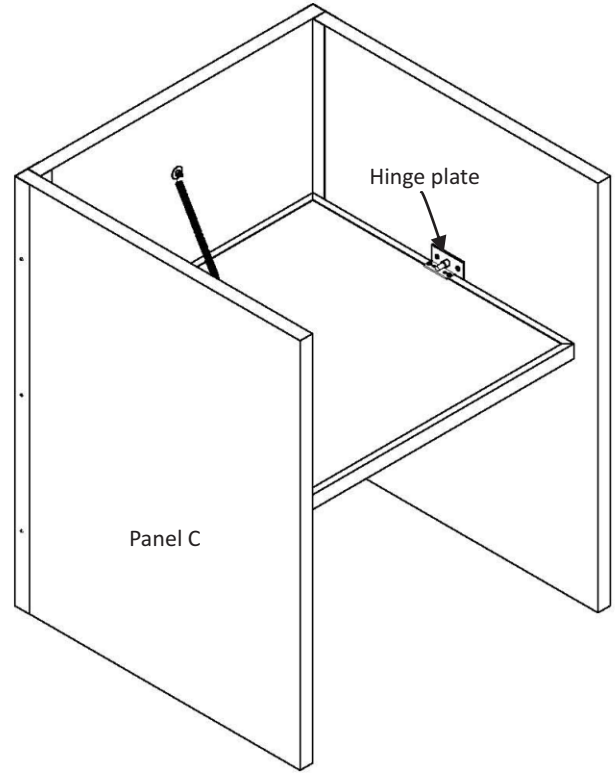
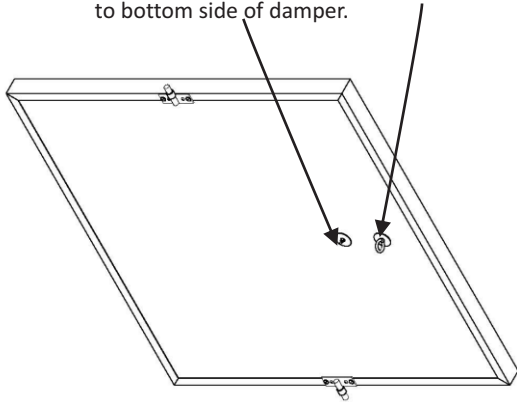


Connect plain side of panel C to corner channel of panel B. Add sealant and screws as per opposite diagram.



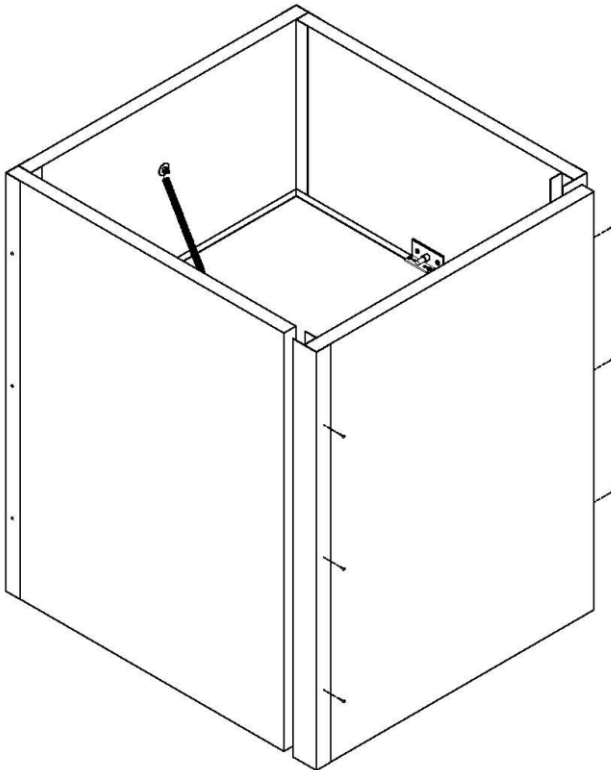
Chimney Damper Assembly

If damper does not have eyebolts fastened, insert eyebolt through hole and fasten with nut. One eyebolt should be to top side of damper and one to bottom side of damper.



Place damper into chimney and insert hinges into sidewall A & C.
****Note:** Hinges should be facing to the top of the chimney and damper should be underneath damper stop plate on panel C.

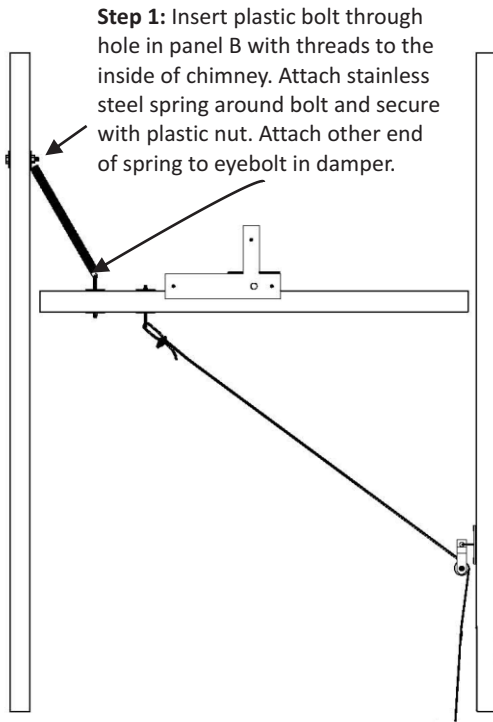
Chimney Wall Completion



Add sealant to both remaining channels as per previous instructions. Insert panel D into panel A & C. Add screws as required.

Chimney Spring and Cable Connection

**If damper is not being used, go to section below!

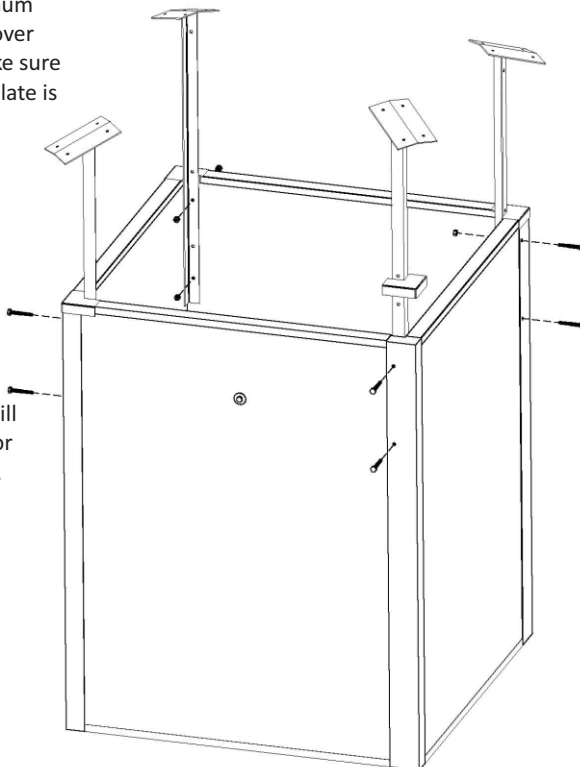


Step 2: Attach damper cable to eyebolt on underside of damper and fasten with cable clamp provided. Take cable and thread through stainless steel pulley on panel D and let it hang there until required. (See instructions on pg. 12)

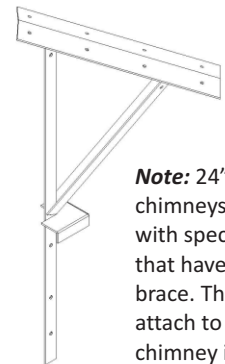
Chimney Leg Attachment

Step 1: Take one aluminum chimney leg and place over one of the corners. Make sure that aluminum corner plate is securely in place.

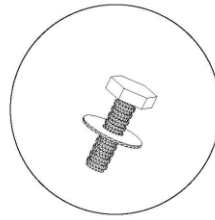
Step 2: Using holes in aluminum legs (inside chimney) as a guide, drill appropriate size hole for plastic bolts (2 per leg).



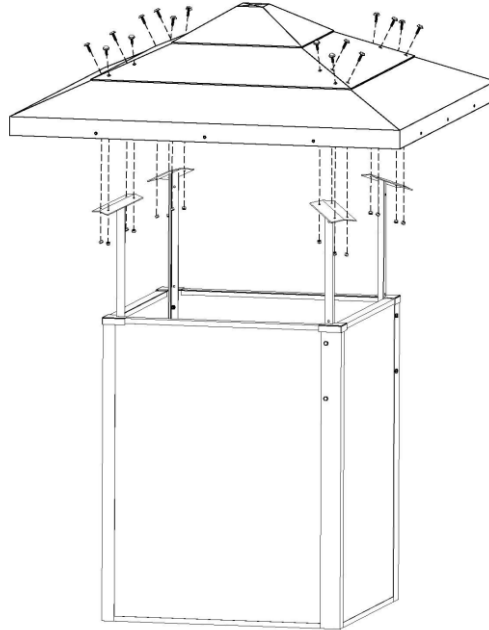
Step 4: Continue in this fashion for all four legs.



Chimney Roof Assembly

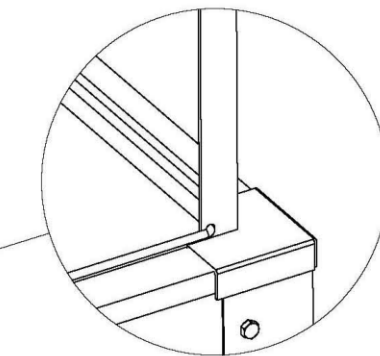
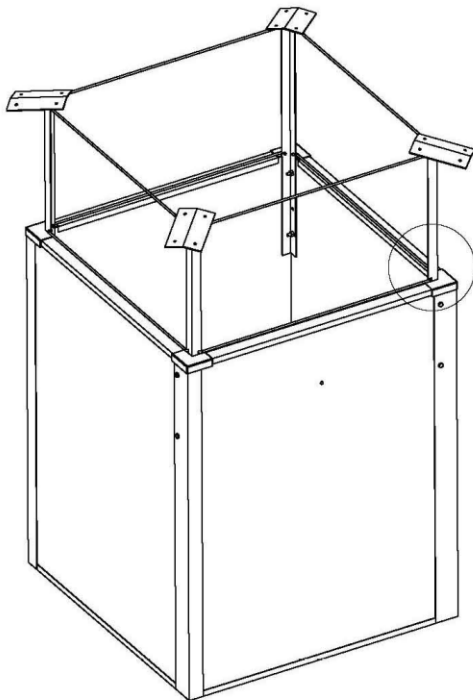


Step 1: Place plastic roof squarely over chimney legs. Using holes in the plates at top of the legs as a guide, drill holes through roof as required.



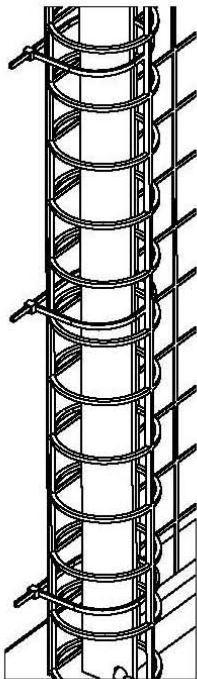
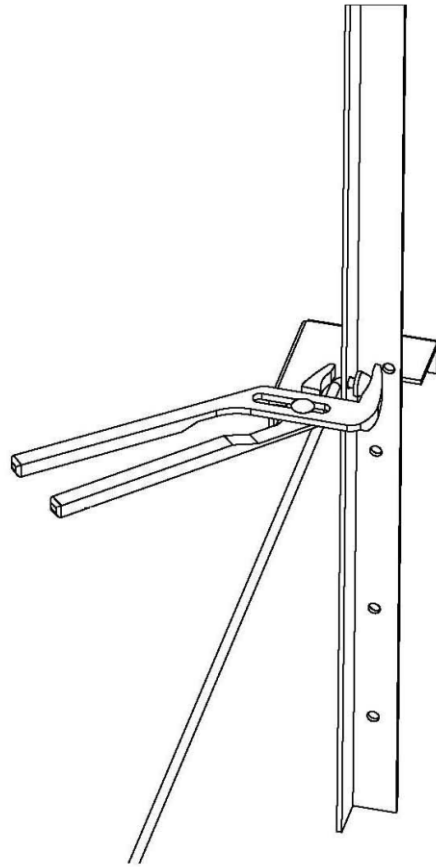
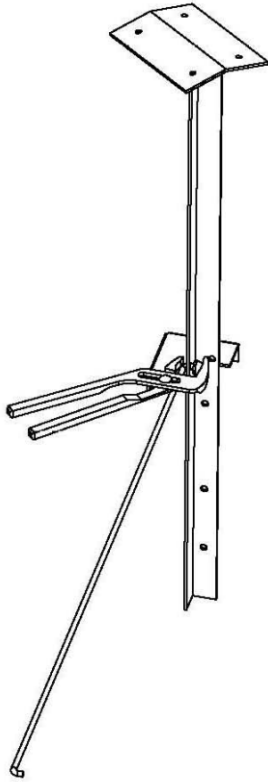
Step 2: Insert stainless steel bolt with washer through roof and aluminum plate and fasten with nut provided.
****Note:** Only one washer per bolt required.

Chimney Birdscreen Installation

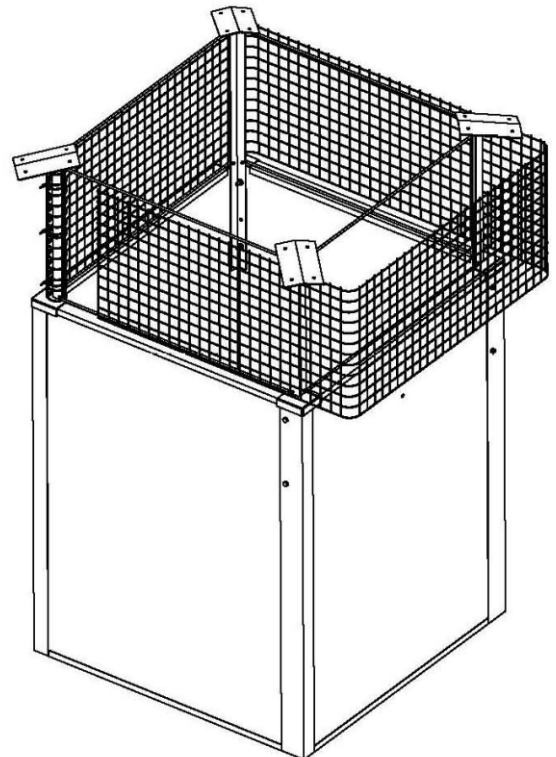


After chimney legs are bolted into place, insert bent rods into holes and secure with white caps using a large pair of channel lock pliers to squeeze in place.

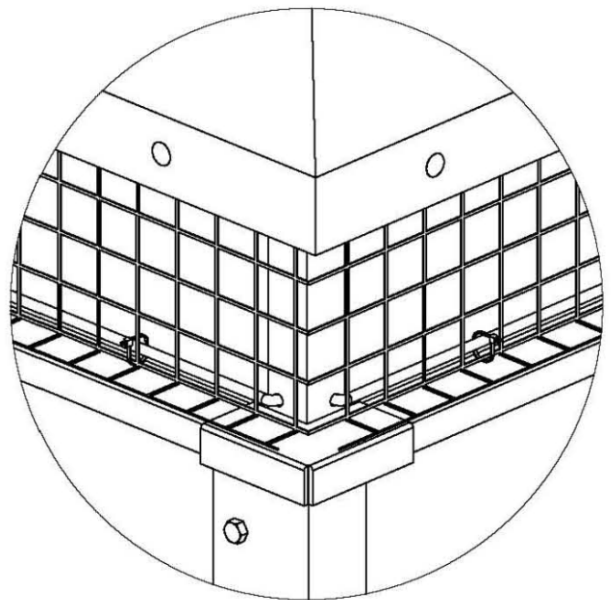
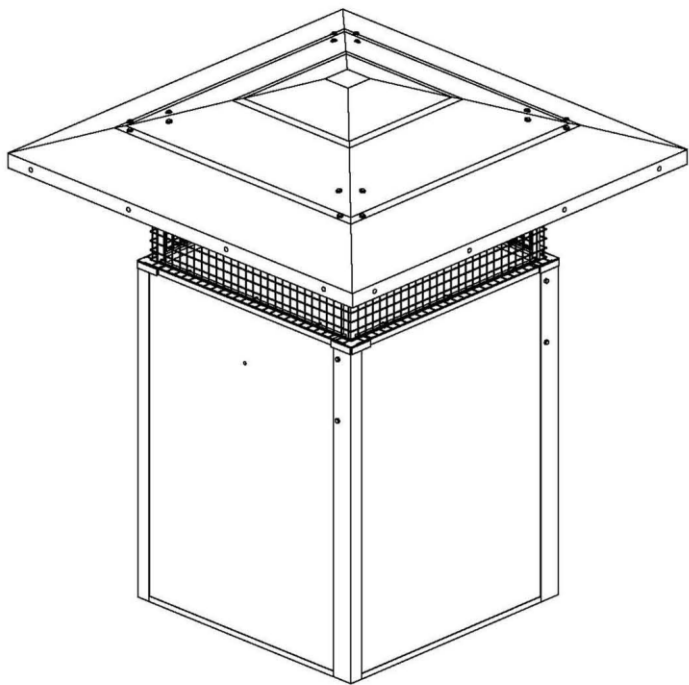
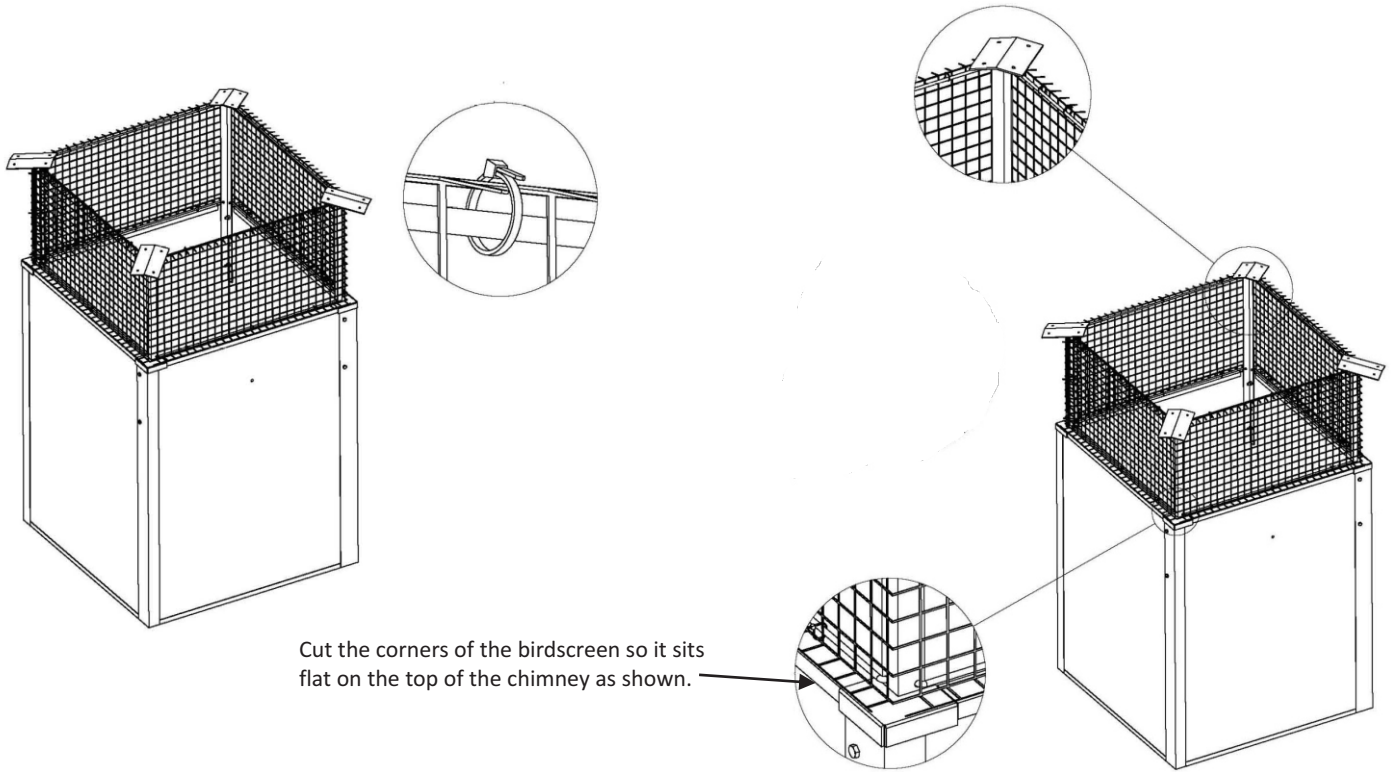
Chimney Birdscreen Installation



Wrap the birdscreen around the chimney and fasten with straps.

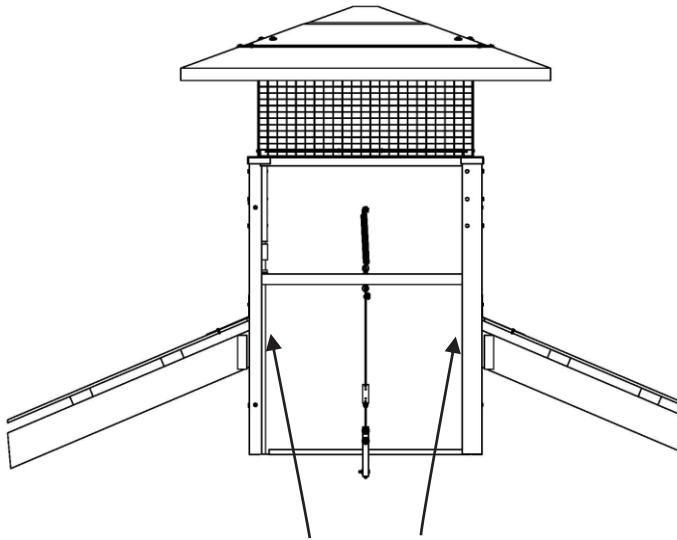


Chimney Birdscreen Installation

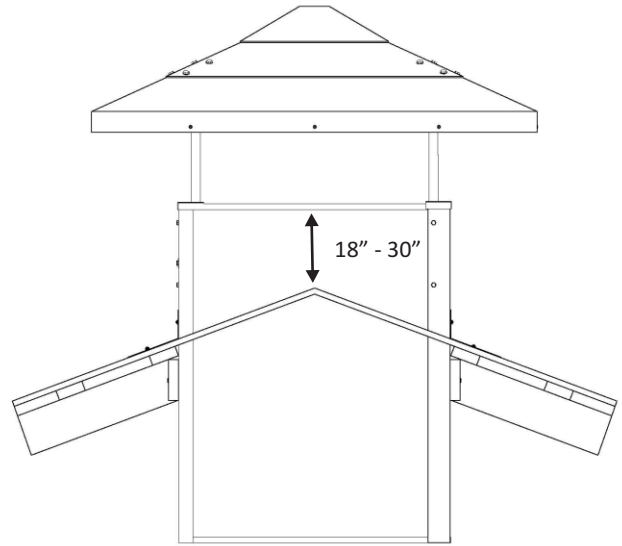


Inserting Chimney Into Roof

Chimney should be mounted into opening, such that the damper pivot hinges are in line with ridge.



Drop chimney into framed opening as per above. Use long stainless steel screws to fasten chimney to framing (2 per chimney wall).

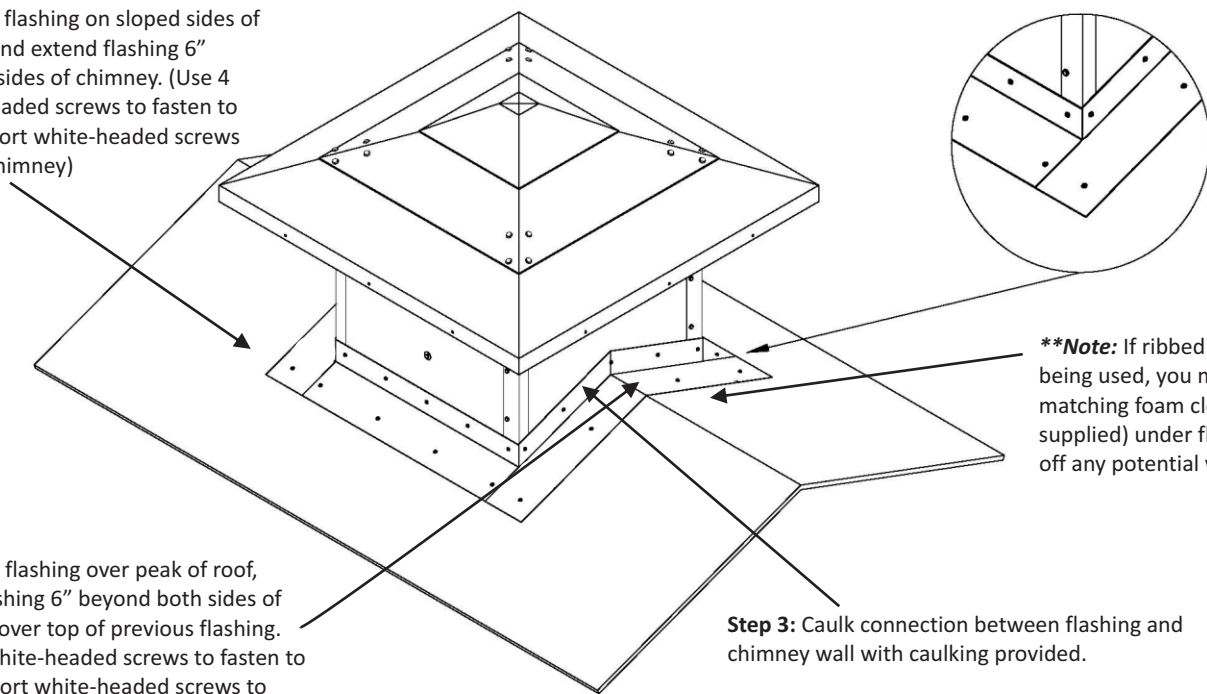


Note: Make sure measurement from roof peak to top of chimney is a minimum of 18" and a maximum of 30".

Fastening of Roof Flashing & Caulking

To install chimney flashing place flashing onto roof and push up tight to chimney wall. Fasten flashing to roof steel first using long white-headed screws provided. Push tight against wall and fasten to chimney wall using short white-headed screws.

Step 1: Install flashing on sloped sides of roof to start and extend flashing 6" beyond both sides of chimney. (Use 4 long white-headed screws to fasten to roof, and 5 short white-headed screws to fasten to chimney)



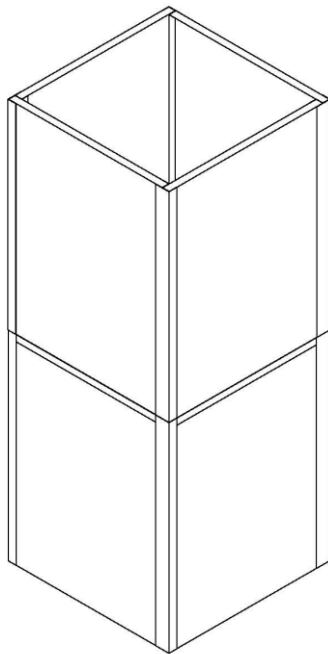
****Note:** If ribbed roof steel is being used, you must install matching foam closure (not supplied) under flashing to seal off any potential weather entry.

Step 2: Install flashing over peak of roof, extending flashing 6" beyond both sides of chimney and over top of previous flashing. (Use 4 long white-headed screws to fasten to roof, and 5 short white-headed screws to fasten to chimney)

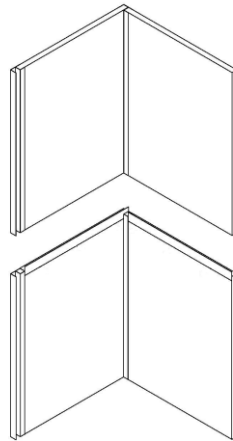
Step 3: Caulk connection between flashing and chimney wall with caulking provided.

Duct Extensions (if required)

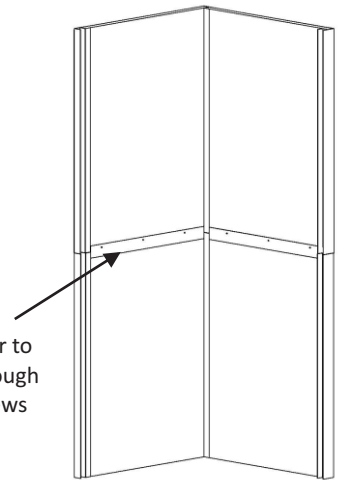
If chimney ducts are not assembled attach wall sections together as per chimney walls (see page 6) using caulking and screws provided.



Step 1: To join extension to chimney, slide chimney over PVC H-joiner and fasten H-joiner to chimney wall on inside of chimney.

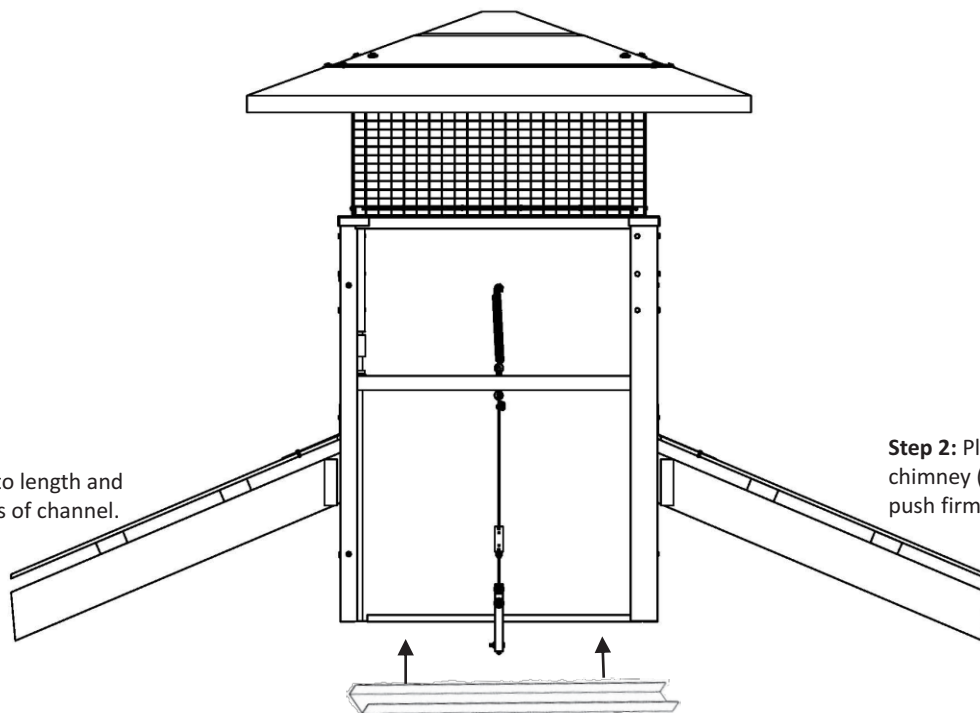


Step 2: To fasten H-joiner to chimney wall, screw through solid PVC strip using screws provided (3 per side)



Capping Bottom of Chimney

Step 1: Cut PVC cap to length and caulk both inside legs of channel.



Step 2: Place cap over bottom of chimney (exposed styrofoam) and push firmly into place.

Note: Bottom of chimney can be left square or it may be cut to match slope of interior of truss.

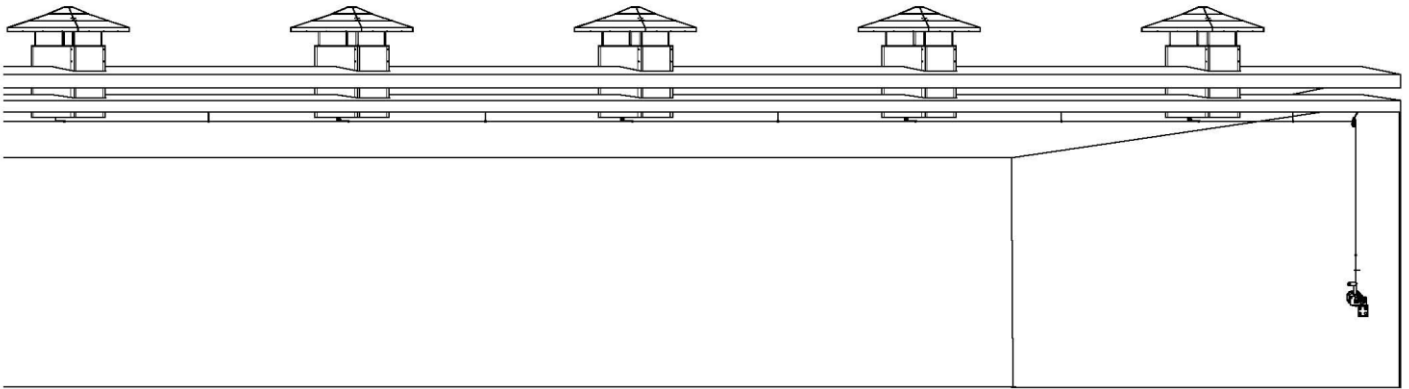
Cablings of Dampers and Winch

Chimney dampers can be cabled in one of two ways:

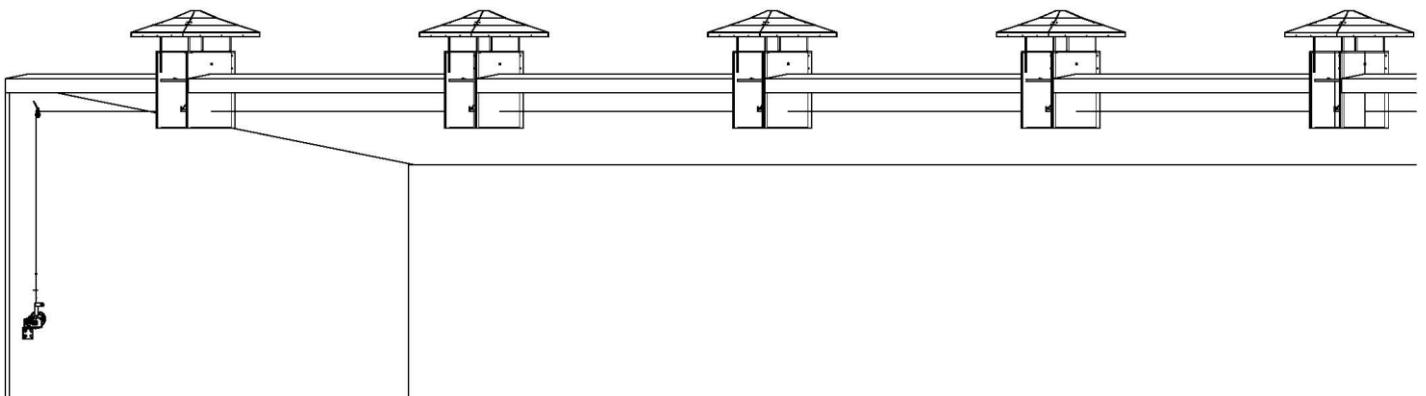
Option A - Cables below ceiling

Option B - Cables in the attic

Option A



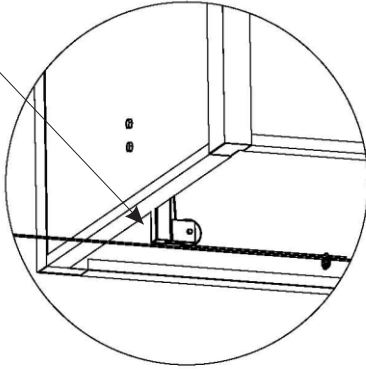
Option B



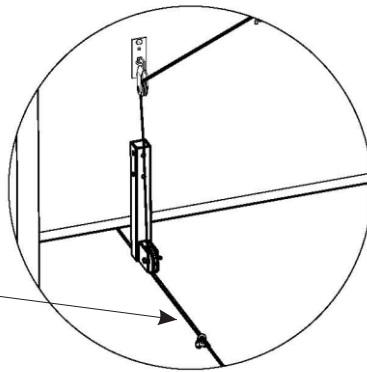
Cabling of Dampers and Winch

Option A: Cables Below Ceiling

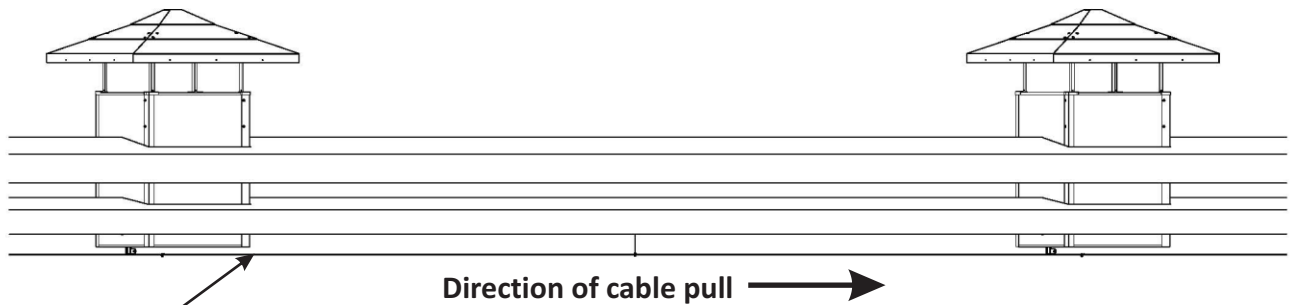
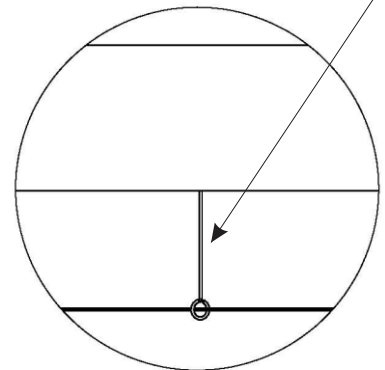
Bottom chimney pulley should be mounted at bottom of chimney such that pulley wheel extends beyond chimney bottom to direct cable. Using screws provided mount pulley to framing at bottom of chimney.



Thread chimney cable through bottom chimney pulley and connect to main cable with clamp provided.



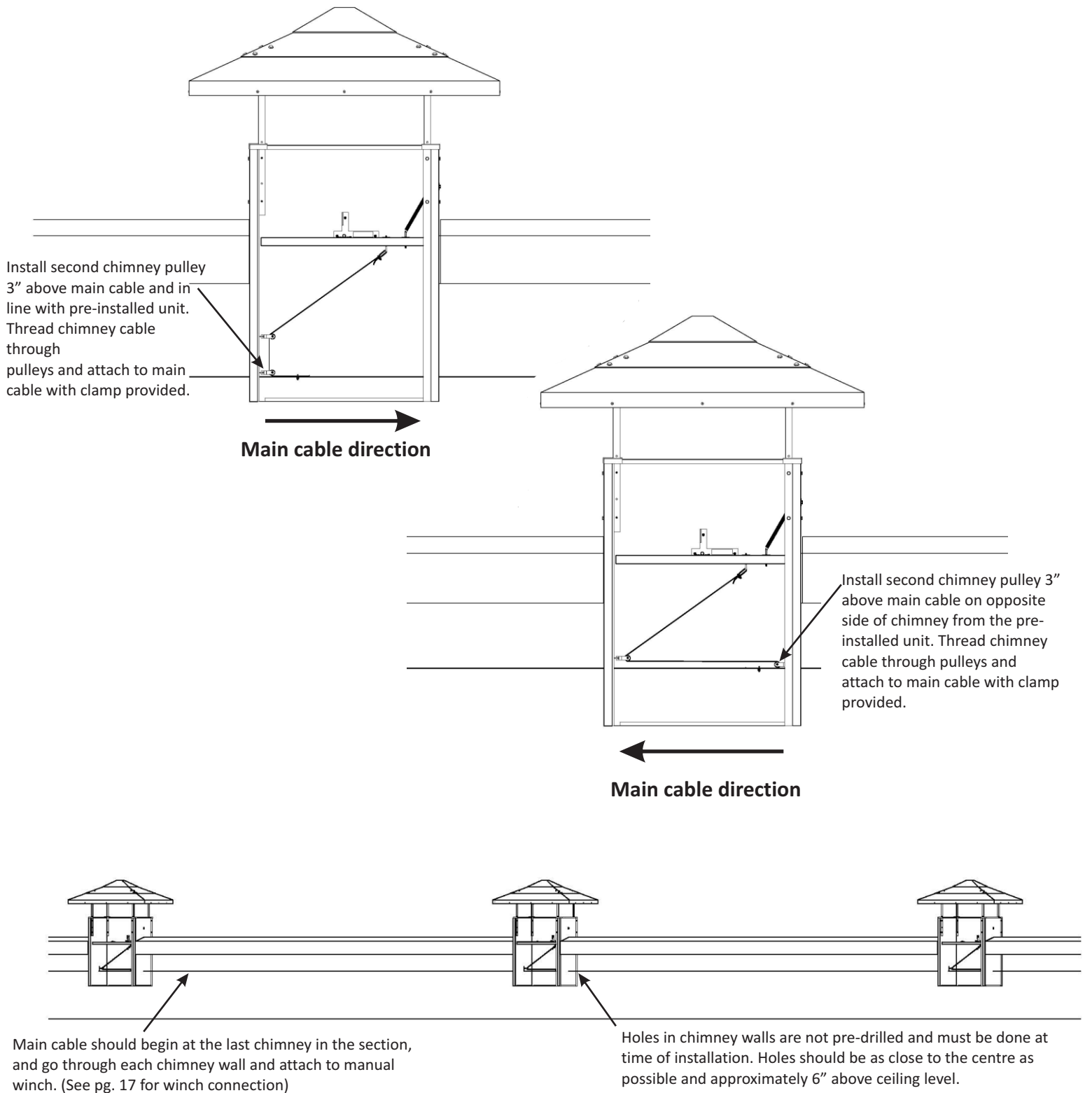
A screweye should be mounted between each chimney to guide main cable along ceiling.



Main cable should begin at the last chimney in the section, and go underneath each chimney and attach to manual winch. (See pg. 17 for winch connection)

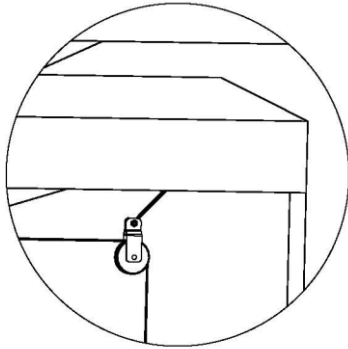
Cablings of Dampers and Winch

Option B: Cables in the Attic



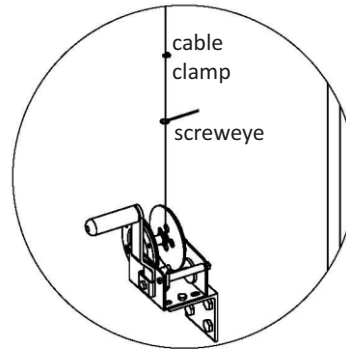
Winch Mounting

The connection of end pulley and winch is the same for both Option A and B.

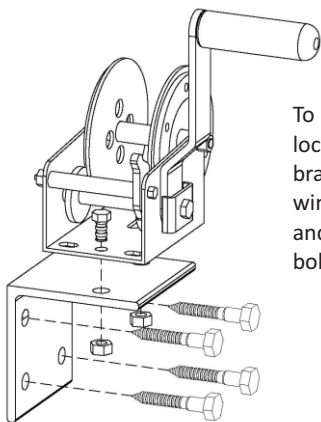
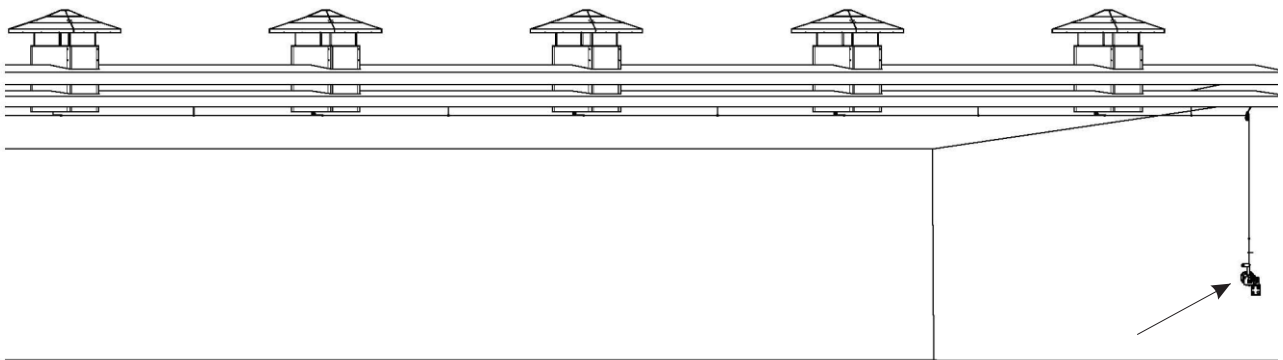


Install 3" plastic pulley using screweye provided. It should be mounted approximately 3" away from end wall and in line with manual winch.

****Note:** pulley may be installed in attic if Option B was chosen.



Mount a screweye 12" above manual winch and thread main cable through screweye prior to attaching to winch. After cable is attached to winch, crank winch so that dampers are in the fully open position. Fasten cable clamp to main cable above screweye (so that clamp is touching the screweye). ****Note:** this prevents over-cranking of dampers in future.



To mount winch on wall, find suitable location directly beneath end pulley bracket so cable stays straight. Mount winch bracket to wall with lags provided and mount winch to bracket with nuts and bolts provided. Install handle to winch to

Manual winch may be mounted at any height on the end wall. The 3" pulley allows for multi-directional cable which allows you to place manual winch in convenient location.

Finishing Tips and Touches

- 1) Make sure flashing has been fastened securely and caulked around entire chimney where flashing joins to chimney walls.
- 2) Ensure all nuts and bolts are tightened securely on roof to hold in place.
- 3) Check all pulleys and cables to ensure smooth operation. Check dampers also to ensure full open and close positions.
- 4) Use a small piece of electrical tape to tape off loose ends of cable to prevent cable fraying.
- 5) If dampers are installed, ensure damper stop clamp is placed on main cable near winch as per page 17.
- 6) Never fully close dampers during winter months - chimneys must be left at least 50% open at all times.

WARRANTY POLICY

Faromor Ltd. Warranty Policy covers all parts manufactured and supplied by Faromor. Warranty starts from date of initial installation of product and lasts one (1) year.

Faromor will also give full warranty on any installation labour we provide for a period of up to one (1) year from date of installation.

All digital thermostats have a two (2) year full warranty.