

FGC SERIES FIBERGLASS EXHAUST FANS

OPERATION INSTRUCTIONS AND PARTS MANUAL
READ AND SAVE THESE INSTRUCTIONS

 **CANARM**[®]
AgSystems[™]

PUTTING INNOVATION TO WORK

GENERAL SAFETY

Rotating parts, (pulleys, shafts and belts) on fans should not be exposed. Where these components are not protected by ductwork, cabinets or covers, appropriate guards should be employed to restrict exposure to rotating parts. Access doors should not be opened with the fan operating to avoid foreign objects being drawn into the system. On initial start-up, a careful inspection should be carried out to ensure no foreign material is present which could become airborne in the system.

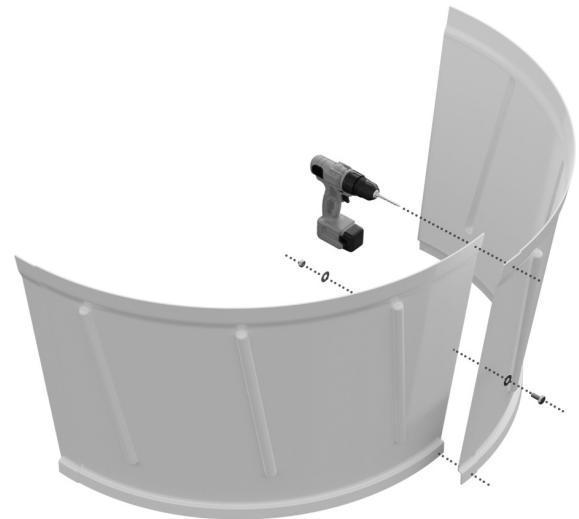
Read installation and operation instructions carefully before attempting to install, operate or service Canarm FGC Series Exhaust Fan. Failure to comply with instructions could result in personal injury and/or property damage. **Retain instructions for future reference.**

CONE INSTALLATION

1. Slide one piece of the cone into the groove on a second piece of the cone.

Note: Point fan parts upwards to make installation easier.

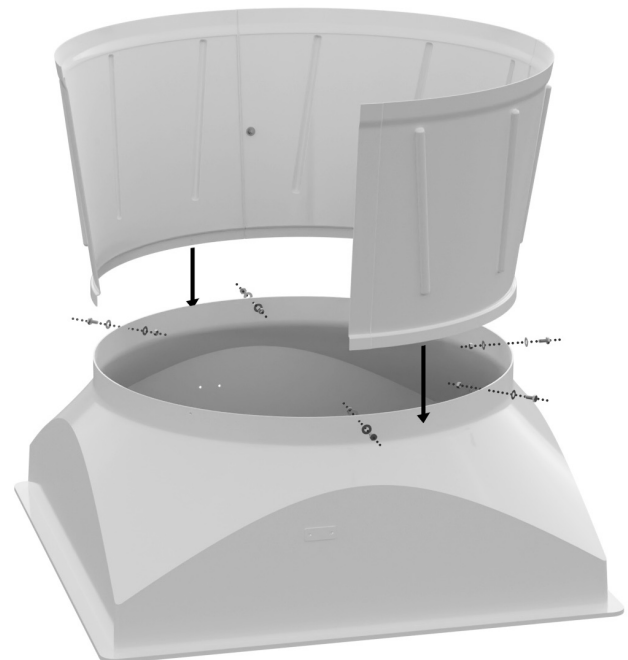
2. Drill a hole large enough for the included hardware through both pieces using the divot on the inside of the cone as a guide. One at each end and one in the centre.
3. Fasten the 2 cone pieces together in the centre using the hardware provided.



4. If you are assembling the 54" FGC Fiberglass Fan, repeat steps 1-3 to attach a 3rd piece of the cone.
5. You should now have only 1 piece of the cone not attached. Take the partially assembled cone from the earlier steps and slide the shorter, grooved end over the opening on the housing.
6. Line up one of the drilled holes in the cone with a pre-drilled hole in the housing and fasten.

Note: you may need to make the hole in the housing larger

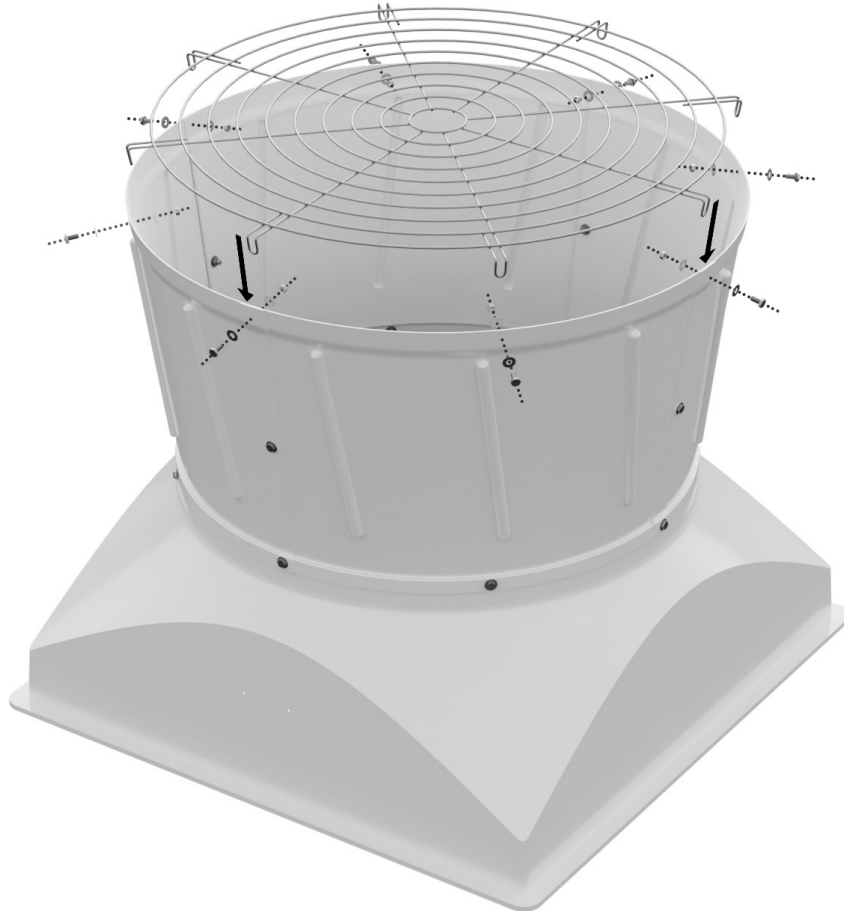
7. Attach the cone using the other pre-drilled holes in the housing. A drill will be needed to fasten each cone section on its center edge to the housing.
8. Attach the final piece of the cone.



**INSTALLATION OR PRODUCT PROBLEMS? DO NOT RETURN TO STORE OF PURCHASE.
CONTACT CANARM SERVICE AT 1-800-265-1833 (CANADA) 1-800-267-4427 (U.S.A.)
1-800-567-2513 (EN FRANÇAIS) MONDAY TO FRIDAY 8:00 - 5:00PM E.S.T.**

CONE INSTALLATION

9. Line up and fasten the fan guard with the drilled holes on the outer edge of the cone.
10. Drill and fasten the the remaining points on the fan guard to the cone.



WARRANTY

CANARM Ltd. warrants every new fan to be free of defects in material and workmanship to the extent that, within a period of one year from the date of purchase **CANARM Ltd.** shall either repair or replace at **CANARM's** option, any unit or part thereof, returned freight prepaid, and found to be defective.

This warranty does not include any labour or transportation costs incidental to the removal and reinstallation of the unit at the user's premises.

Components repaired or replaced are warranted through the remainder of the original warranty period only; it is null and void in case of alteration, accident, abuse, neglect, and operation not in accordance with instructions.

NOTICE: No warranty claims will be honored by **CANARM Ltd.** unless prior authorization is obtained.

Canarm Ltd. - Corporate Head Office
2157 Parkedale Avenue, PO Box 367
Brockville, Ontario Canada K6V 5V6
Tel: (613) 342-5424 Fax: (613) 342-8437

www.canarm.com

Arthur Manufacturing Facility
#7686 Concession 16, RR 4
Arthur, Ontario Canada. N0G 1A0
Tel: (519) 848-3910. Fax: (519) 848-3948

agsales@canarm.ca