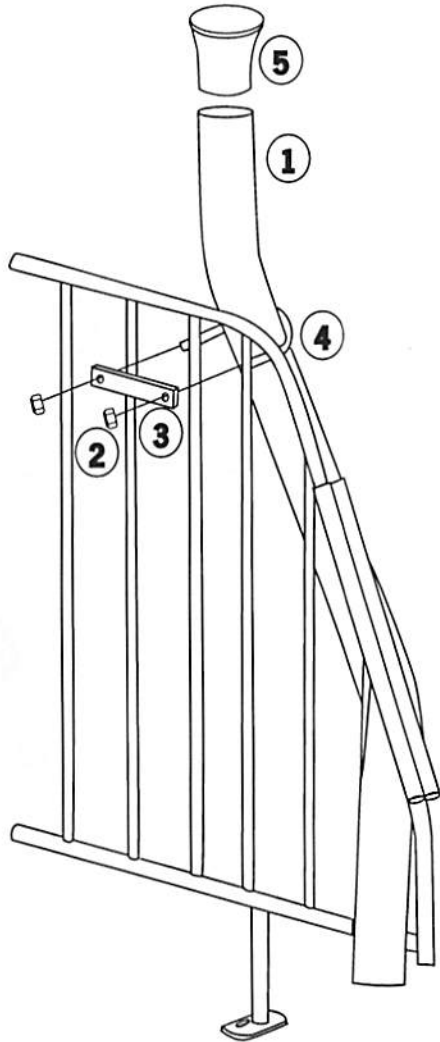
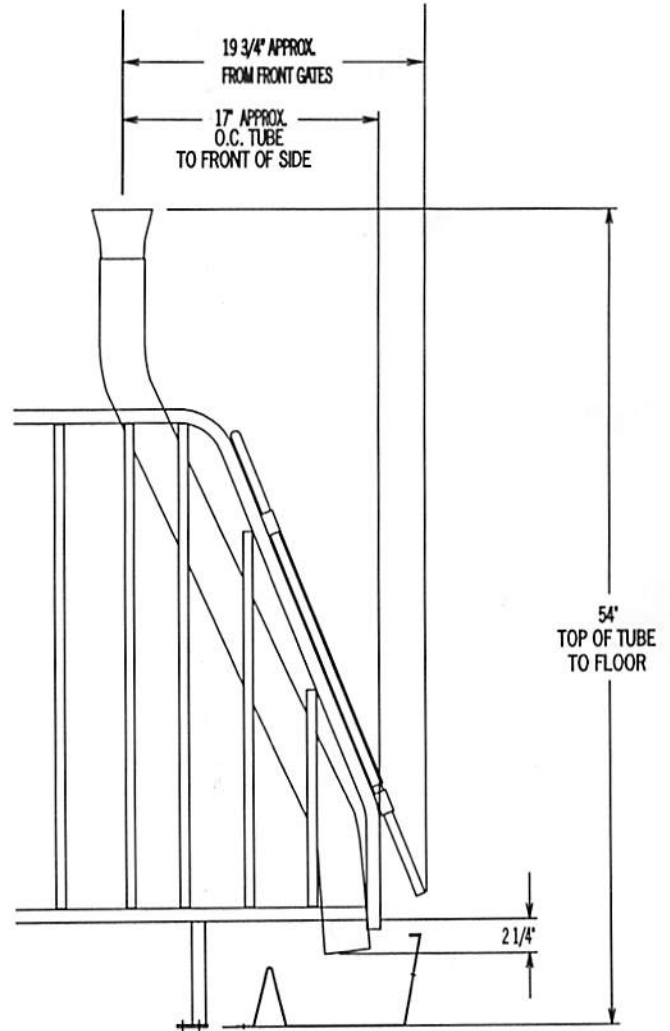


ASSEMBLY



LOCATION



ILLUS.	DESCRIPTION	PART #	QTY.
1	GALV. DROP TUBE	2070881	1
2	3/8" LOCK NUT	NUT3/8L	2
3	BACKER PLATE	2070877	1
4	U-BOLT	2070878	1
5	DROP TUBE FUNNEL	2070876	1

ASSEMBLY INSTRUCTIONS

- 1) Insert the bottom of the drop tube in the section space from the front. Push the drop tube down until it touches the bottom rod.
- 2) Tilt the top of the tube back and clamp with the U-bolt and backer plate.

NOTE: The U-bolt will span the fourth space from the front. Position the U-bolt as close to the top pipe as possible.