

## DOUBLE YOKE CONTROLLER

### KEY FEATURES

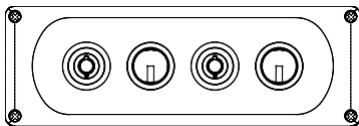


- Easily mounted to wall.
- Control each fan individually.
- Canarm supplies you with 100 ft. of 6-core cable for installation.
- Operate your fans in either forward (cooling) or reverse (destratification).
- Manually control each fan's speed.

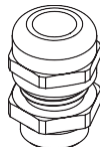
### TECHNICAL SPECIFICATIONS

<b>Power Supply</b>	0-10V DC analog from VFD
<b>Dimensions</b>	2.45"W x 2.95"H x 8.7"D
<b>Weight</b>	1.25 lbs.
<b>Language Protocol</b>	0-10v signal
<b>User Interface</b>	Rotary dial
<b>Enclosure</b>	ABS plastic
<b>Fans/Control</b>	Double fan control
<b>Power Consumption</b>	0.5W
<b>Connections</b>	6-core shielded wire (included)
<b>Max Cable Length</b>	100 Ft. (x2)
<b>Rating</b>	NEMA 4X, IP65

### DOUBLE YOKE PACKAGE CONTENTS & ASSEMBLY



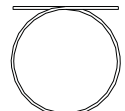
**A. Double Yoke Controller**  
(x1)



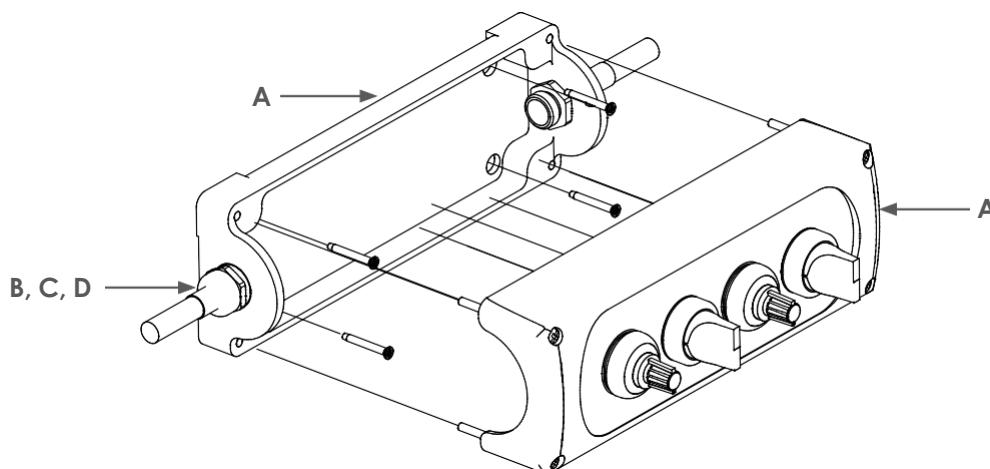
**B. Strain Relief Bushing**  
(x2)



**C. Heat-shrink Tubing**  
(x2)

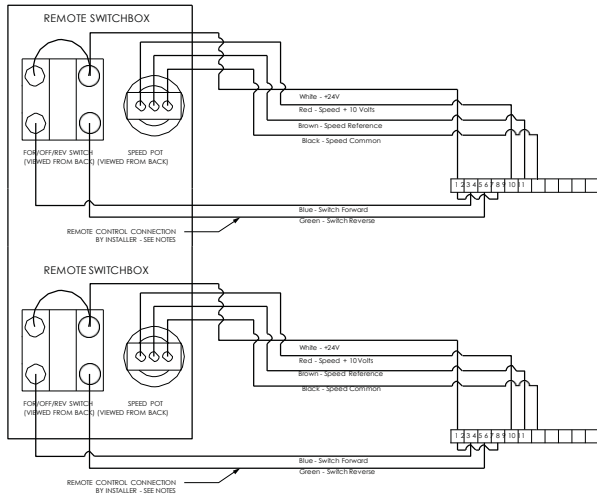


**D. Control Cable**  
(x2 100 ft. ea.)

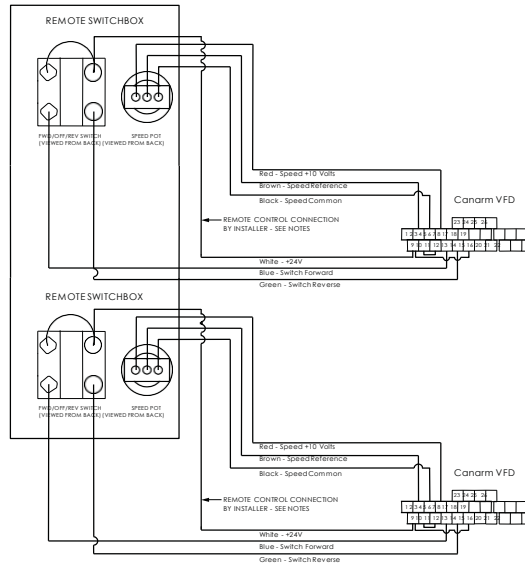


**DOUBLE YOKE WIRING DIAGRAM - GEARED DRIVE FAN**

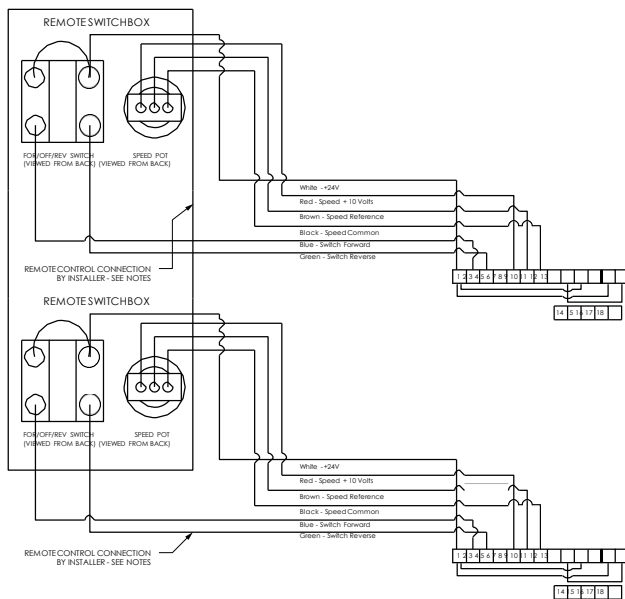
**120V/1PH**



**230V/1PH, 230V/3PH & 460V/3PH**

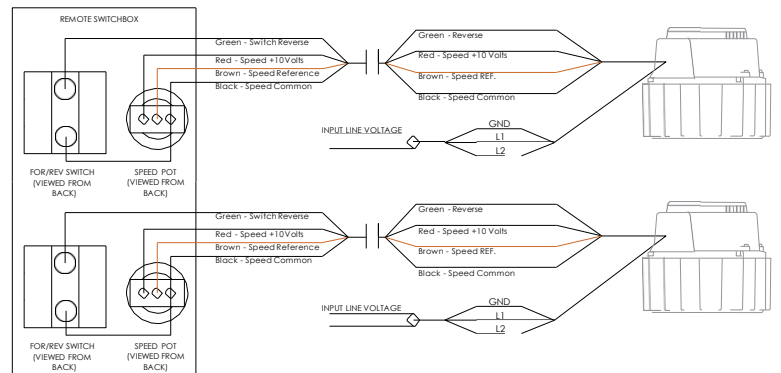


**575V/3PH**



**DOUBLE YOKE WIRING DIAGRAM - DIRECT DRIVE FAN**

**120V/1PH & 230V/1PH**



**230V/3PH & 460V/3PH**

