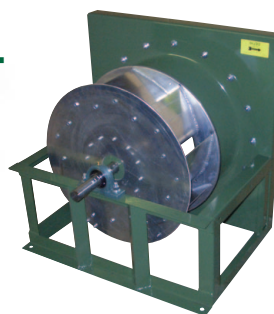




ASK US ABOUT
Direct Drive
Plenum Fan Option

DPL & DPL-AF SERIES

Flat Blade & Air Foil Blade Plenum Fans



DPL-AF BACK VIEW

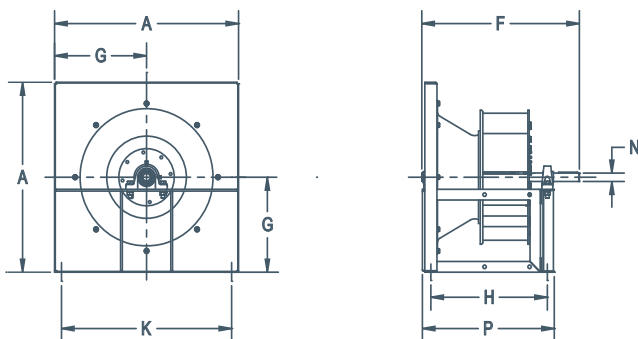


DPL BACK VIEW

FEATURES

- Rigid welded angle iron frame construction.
- Full Class II capability.
- Min L10 bearing life of 35,000 hrs (average - L50 bearing life of 175,000 hrs).
- Standard welded backwardly inclined flat blade wheel for DPL-12 to DPL-36 (Aluminum available as option).
- Standard welded aluminum backward inclined airfoil wheel for DPL-18-AF to DPL-27-AF.

DIMENSIONS



MODEL	A	F	G	H	K	N	P	UNIT WEIGHT (LBS) (without motor & drives)
DPL-12	18 3/4"	17 5/8"	9 3/8"	12 1/2"	16 3/4"	1"	14 1/8"	51
DPL-13	20 5/8"	17 5/8"	10 5/16"	12 1/2"	18 5/8"	1"	14 1/8"	57
DPL-15	22 15/16"	18 5/8"	11 15/32"	13 1/2"	20 15/16"	1"	15 1/8"	68
DPL-16	24"	20 1/8"	12"	14-1/2"	22"	1 3/16"	16 1/8"	80
DPL-18 & DPL-AF-18	26 9/16"	22 3/4"	13 9/32"	16 13/16"	24 9/16"	1 3/16"	19 1/16"	91
DPL- 20 & DPL-AF-20	29 1/16"	24 1/16"	14 17/32"	18 1/16"	27 1/16"	1 3/16"	20 5/16"	104
DPL-22 & DPL-AF-22	31"	27 1/16"	15 1/2"	20 7/16"	29"	1 7/16"	22 15/16"	148
DPL-24 & DPL-AF-24	34 1/8"	28 5/8"	17 1/16"	22"	32 1/8"	1 7/16"	24 1/2"	185
DPL-27 & DPL-AF-27	37 5/8"	30 7/16"	18 13/16"	23 13/16"	35 5/8"	1 7/16"	26 5/16"	205
DPL-30 & DPL-AF-30	40"	34"	20"	26 3/8"	38"	1 11/16"	29 3/16"	248
DPL-33 & DPL-AF-33	44"	36 15/16"	22"	28 3/8"	42"	1 15/16"	31 3/16"	306
DPL-36 & DPL-AF-36	48 11/16"	39"	24 11/32"	30 7/8"	46 11/16"	1 15/16"	33 11/16"	357

*DPL-AF-30, 33 and 36 currently under redesign. Please call factory.

PERFORMANCE SPECIFICATIONS

MODEL	CLASS	1" SP	3" SP	5" SP	7" SP	9" SP
DPL-12	II	4300	4000	3600	3000	--
DPL-13	II	5200	4700	4000	3000	--
DPL-15	II	5900	5200	4200	2800	--
DPL-16	II	7600	6800	5700	4200	--
DPL-18	I	7200	6400	2400	--	--
DPL-AF-18	II	9500	8500	7500	6500	4300
DPL- 20	I	8800	7600	5200	--	--
DPL-AF-20	II	11500	10500	9000	7200	5000
DPL-22	I	12000	9500	4500	--	--
DPL-AF-22	II	14500	13000	11000	9000	7000
DPL-24	I	14000	12500	8000	--	--
DPL-AF-24	II	16000	14000	12000	9000	6500
DPL-27	I	16000	14000	9000	--	--
DPL-AF-27	II	20000	17000	15000	11500	8000
DPL-30	I	20000	18000	12000	--	--
DPL-AF-30	II	25000	22000	18000	15000	10000
DPL-33	I	26000	22000	16000	--	--
DPL-AF-33	II	31000	28000	24000	20000	16000
DPL-36	I	30000	26000	20000	--	--
DPL-AF-36	II	38000	32000	26000	20000	15000

Power rating (BHP) does not include transmission losses. Performance certified is for installation type B: Free inlet, Ducted outlet. Performance ratings do not include the effect of appurtenances (accessories).

CFM values listed above are summarized for convenience.

*DPL-AF-30, 33 and 36 currently under redesign. Please call factory.

FOR FAN CURVES & FULL PERFORMANCE DATA, CONSULT OUR DELAIR SOFTWARE. DOWNLOAD DELAIR @ WWW.CANARM.COM/DELAIR

MOTOR BASE & PLATFORM

- Can be bolted directly to the side of the Plenum fan frame (2 locations) or secured to the base of the air handler.
- Sliding platform provides convenient belt tension adjustment.

MOTOR PLATFORM		
WHEEL DIAMETERS	MAX HP	MAX FRAME SIZE
12" TO 20"	10	215T
22" TO 27"	15	254T
30" TO 36"	30	286T

OPTIONS

- Vibration Isolators
- Motor base with platform

