



D507

# D500 SERIES

## Direct Drive Utility Blowers

### FEATURES

- Designed for easy installations in common applications requiring moderate air quantities (up to 650 CFM) in low static systems (up to .75" W.G.).
- Available in CCW rotation only (as viewed from motor side).
- Use 3 speed selector for Low, Medium & High speed on D507.
- Ideal for applications where low noise levels are a "must" since the motor is out of the air stream and the blower can be remotely located.

### PERFORMANCE SPECIFICATIONS

MODEL	TYPICAL MAXIMUM CFM @ SP					
	1/8" SP	1/4" SP	3/8"	1/2"	5/8"	3/4"
D507 - LOW	410	375	340	315	225	--
D507 - MED	495	460	390	355	300	--
D507 - HIGH	640	570	470	405	350	--

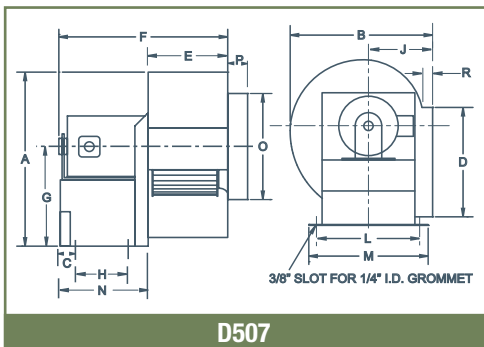
FOR FAN CURVES & FULL PERFORMANCE DATA, CONSULT OUR DELAIR SOFTWARE.

DOWNLOAD DELAIR @ [WWW.CANARM.COM/DELAIR](http://WWW.CANARM.COM/DELAIR)

### MODEL FEATURES

FEATURES	D507
120V, 60 Hz CSA approved single speed shaded pole motor, continuous duty, suitable for use with WM-13 speed controller.	
120V, 60 Hz CSA approved 3 speed resilient mount PSC BALL BEARING motor.	•
Prelubricated bearings - no further lubrication required.	•
Built in automatic reset thermal protector.	•
Mount in horizontal or vertical position.	
Rotate housing on base for any of 8 discharge positions, keeping shaft horizontal.	•
Conduit wiring box.	•
Duct collar inlet.	•
Quiet operating forwardly curved zinc coated blower wheel.	•
Base slotted for 4 rubber blower feet	•
Rugged steel blower housings with baked green enamel finish.	•
Motor side access plate for motor and wheel servicing removal.	•

### DIMENSIONS



### OPTIONS

#### MOTOR SPEED CONTROL

**MODELS D507** - Use a 3 speed switch to select High (1050 RPM), Medium (850 RPM) or Low (740 RPM) operation.

MODEL	MOTOR RPM	A	B	D	E	F	H	L	M	N	O	WEIGHT (lbs) without motor
D507	1050	13 1/8"	12 1/4"	8 1/4"	6"	14"	5"	8"	9"	6 5/8"	7 7/8"	24