

Take Production Levels to NEW HEIGHTS!



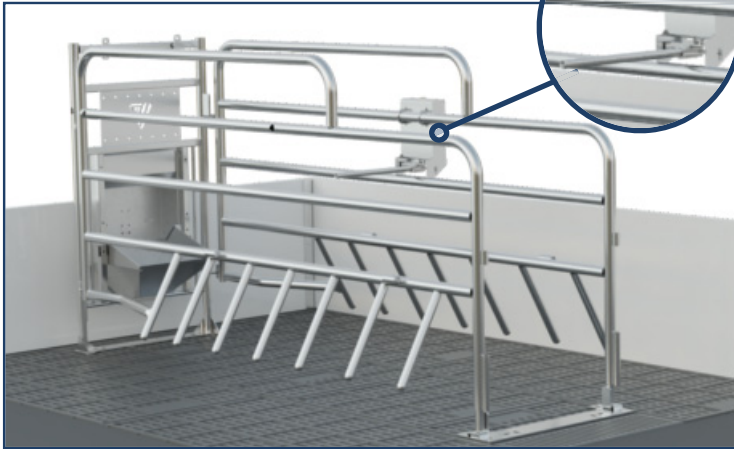
- Reduce piglet crushing.
- Wean more pigs.
- Save time.
- Increase profitability.

Pair with the Integra floor system to give you exceptional stability, premium traction and tremendous durability.



HOW IT WORKS

Down position



When sow stands, her back lifts the activation spring, raises the crate and prevents piglets from going under the sow.

Raised position



In the raised position, the piglets can't get under the sow, which reduces the possibility of crushing. When the sow lays back down, her back no longer lifts the activation spring and the crate slowly lowers to allow for nursing.

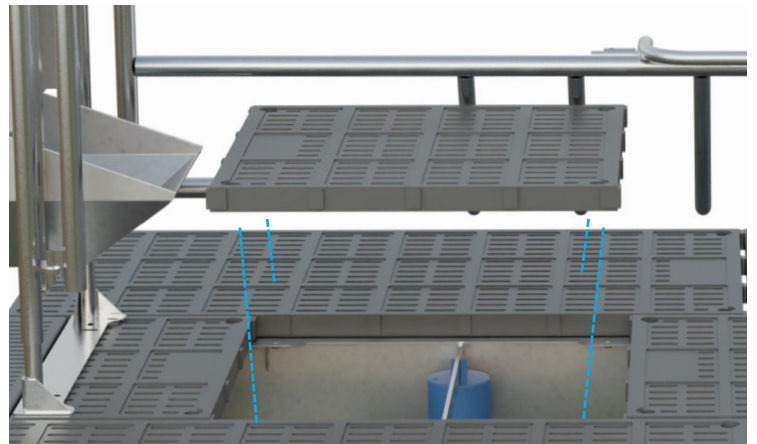
Auto Up-Down



The Canarm Lift crate has 4 air cylinders operated by a control switch mounted in the hall way (1 per row). The control can be set to up, down or auto. Auto will raise in individual crates when the activation spring is triggered.

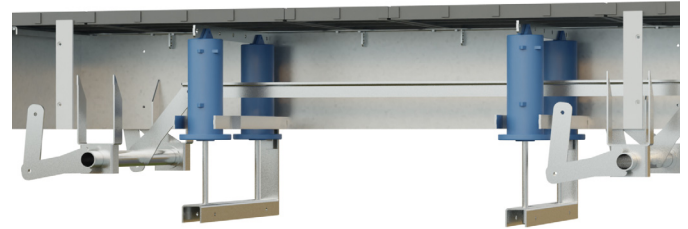
SERVICING MADE EASY

With built-in service panels, the pneumatic serviceability has never been easier. Simply remove the Integra floor piece with 4 bolts, lift the floor out, and you'll have easy access to the pertinent equipment. The crate itself does not need to be removed.

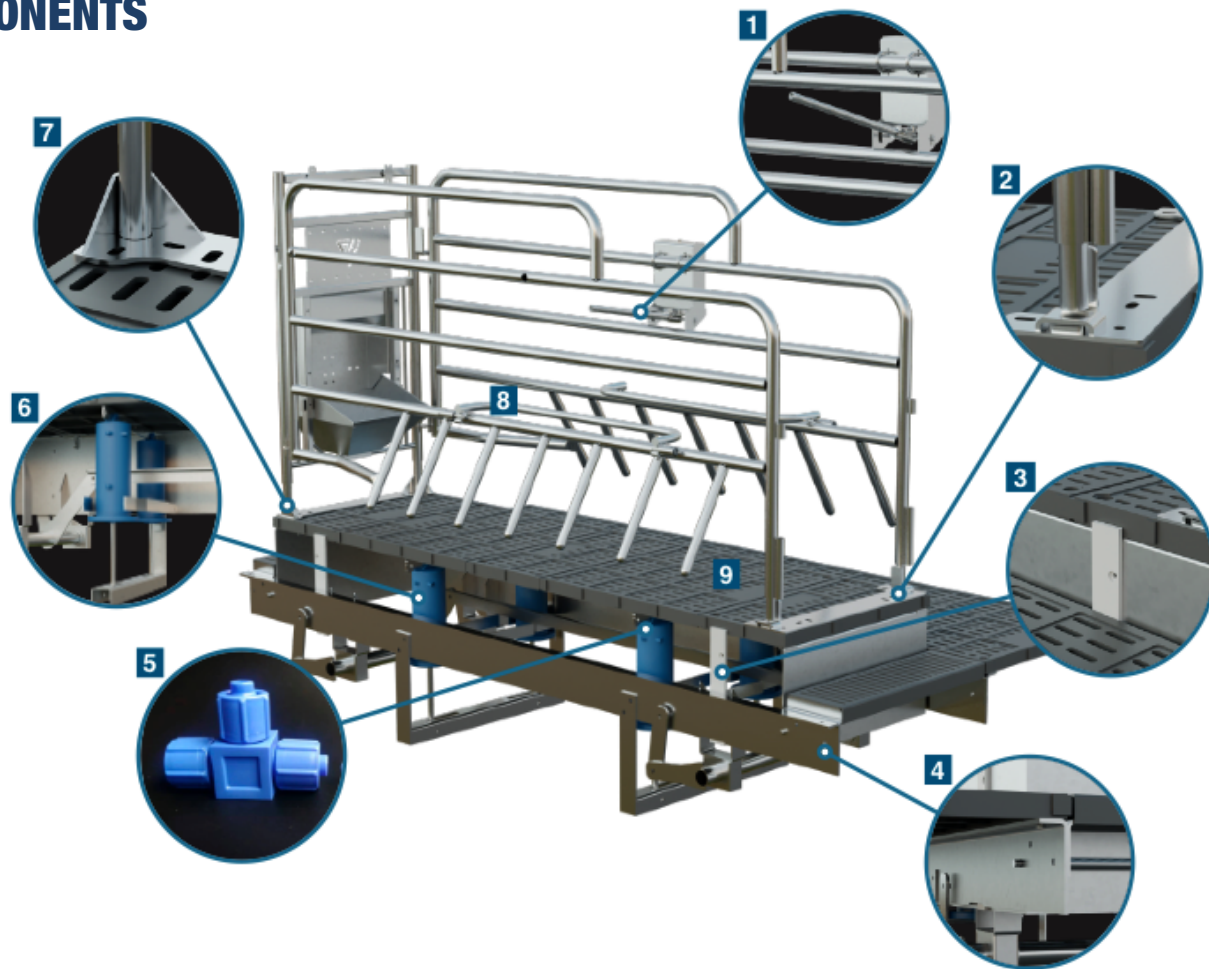


HIGH QUALITY LIFT SYSTEM

The Canarm Lift Crate has 4 air cylinders operated by a control switch mounted in the hall way (1 per row). All our cylinders are made of the highest quality PVC, and have heavy duty stainless steel shafts for corrosion resistance. If one of the cylinders, malfunctions or breaks, the lift system will still operate. To increase confidence in a leak-free system, all pneumatic fittings under the crate, or in concealed areas are compression fittings (NOT push-in fittings). 4 PVC glider strips are provided to prevent wear and tear on the galvanized lift box during operation.



COMPONENTS



- | | |
|--|--|
| <ol style="list-style-type: none"> 1. Stainless activation spring. 2. Stainless steel legs & foot plates at front and back. 3. PVC glider strips on side of lift box minimizes wear and tear. 4. Super heavy duty galvanized support rails. 5. All pneumatic fittings under the crate are compression fittings, not push-in fittings, thus ensuring no air leakage. | <ol style="list-style-type: none"> 6. PVC cylinders & stainless steel shafts. 7. Heavy duty gussets on front arch. 8. Anti-crush bars. 9. Built-in service panels. |
|--|--|



GENERAL INFORMATION

Our farrowing crate options combine maximum versatility for the producer with increased comfort and productivity. Standards are changing rapidly and we are adapting our crate design to meet the needs of producers of sow and piglets. We've made crates easy to order and suitable for many different layouts.

All Farrow Flex crates come with:

- Finger or Bow Bar option.
- Galvanized Frames.
- SS Feet.
- Adjustable side panels (90" to 96").
- Anti-crush bars.

And can be configured into many combinations to suit your needs:

- Conventional (Front and Back aisle).
- Euro-style (sow can enter and leave the back of the stall).
 - Head to Head.
 - Head to Wall.
 - Turn Around.



CANARM LTD. - Corporate Office
PO Box 367 2157 Parkedale Ave.,
Brockville, ON
Canada K6V 5V6
Tel: (613) 342-5424 Fax: 1-800-263-4598

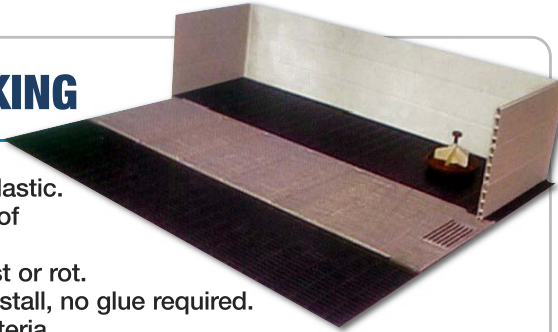
Arthur Manufacturing Facility
#7686 Concession 16, RR 4
Arthur, ON
Canada N0G 1A0
Tel: (519) 848-3910 Fax: (519) 848-3948

Montréal Warehouse
2555 Rue Bernard Lefebvre
Laval, QC
Canada H7C 0A5
Tel: (450) 655-2535 Fax: (450) 665-0910

CANARM LTD. - USA Warehouse
808 Commerce Park Drive
Ogdensburg, New York,
USA 13669
Tel: 1-800-267-4427 Fax: 1-800-263-4598

CREEP PLANKING

- Made of rigid PVC plastic.
- Designed with ease of cleaning in mind.
- Durable - will not rust or rot.
- Quick and easy to install, no glue required.
- Will not harbour bacteria.



CREEP FEEDER

- Low to ground, providing easy access for piglets.
- Dividers prevent piglets from contaminating feed.
- Locks into place, removal is easy for cleaning.
- Made of stainless steel.



HOT WATER HEAT PANELS



- Energy efficient hot water heat panel fastens to the floor at each corner.
- Low radiation to save heat.
- Available in sizes to fit both the farrowing and weaner rooms.
- High conductivity for efficiency.
- Can be easily adapted to any flooring system.
- Panels install quickly and easily.



HEAT LAMP HOLDER

Adjust heat lamp to a safe distance away from the sow and piglet and make sure they are secure.



1 PIECE CREEP PLANK 1 3/8" WIDE X 20" HIGH

- Easy to clean
- Stronger
- Tough durable plastic
- Easier installation
- Top cap also available
- Will not harbour bacteria.



DRINKER PACKAGES

- Available in stainless steel or galvanized.
- Piglet drinkers available as nipple drinkers or water cups.



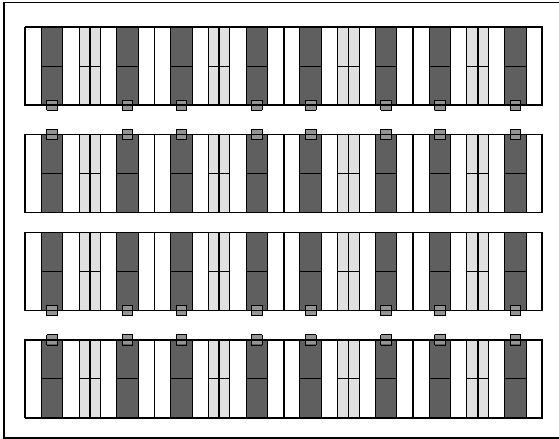
ORDERING GUIDELINE

1. Confirm Room Layout (See Crates-5):
 - a. Conventional
 - b. Euro
 - c. Euro Stand Alone
 - d. Euro Head to Head
 - e. Euro Head to Wall
 - f. Turn Around
2. Select a Farrow Flex crate that functions in the chosen layout (See Crates-6-11)
3. Select the Options to complete the Farrow Flex crate (See Crates-12-13):
 - a. Farrow Flex Crate Top (C-2062309T) - Advised: Prevents sows from jumping/flipping out
 - b. Side Mount Bumper (2060630A) - Strongly Advised: Pushes gilts & small sows forward in the crate
 - i. Add the Lynch Pin (2060633)
 - c. For the Conventional Farrow Flex only: Add pvc plank 7/8" x 20" for the back gate (PN – 2060395-240 or 2060395-288)
4. Select a SS Feeder for Sow - Advised
 - a. 2060107 - 16 ga SS Quick Release Feeder (Most common choice, other options are available)
 - b. Consider the iFeed & Extension Hopper (hopper optional)
5. Select a SS Drinker Package (2150130-S) - Advised
6. Select SS Sow & Piglet Nipples - Advised
 - a. Choose 1 nipple for the sow and 1 lower nipple for the piglet
7. Floor Fasteners
 - a. When choosing the floor fasteners, factor in the type of floor the crate will be fastened to
8. Select Additional Crate Options - Optional:
 - a. SS Piglet Feeder
 - b. Card Holder

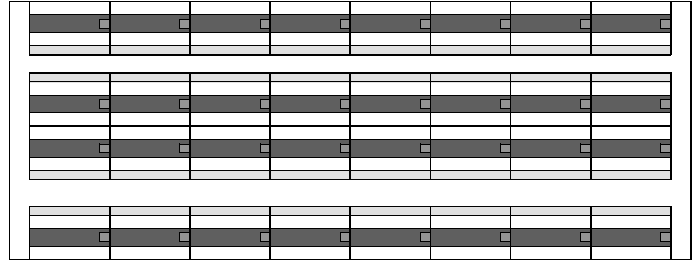
OTHER FARROWING ACCESSORIES

1. Go to Penning Section to order creep plank
 - a. By default the Farrow Flex crate comes with a 1 3/8" channel (other channel widths available by special order)
 - b. SS Gate Posts & PVC Gate Ends are available in the Penning Section
2. Go to Flooring Section to order flooring type
 - a. Integra Flooring
 - i. Consider the integrated heat plates
 - b. Cast & Plastic for piglets
 - e. Aluminum Heat Plates
3. Go to Heat Lamps & Bulbs Section to order heat lamps and controllers

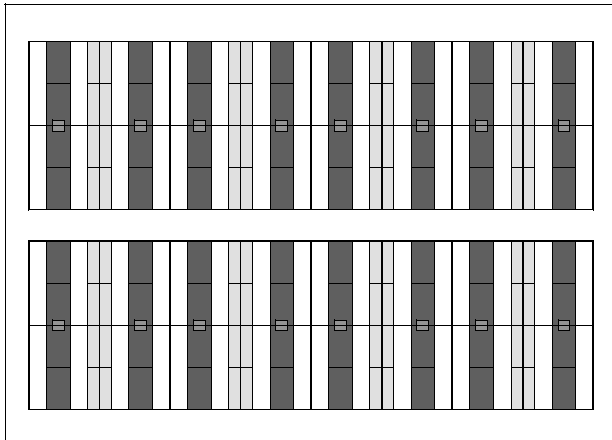
CONVENTIONAL



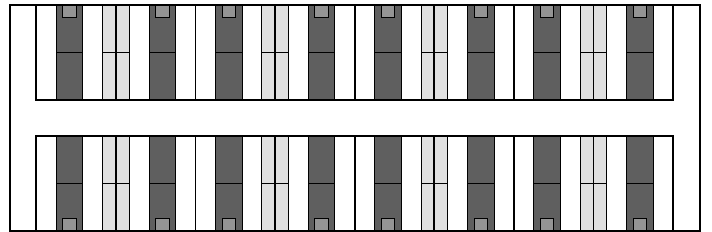
EURO



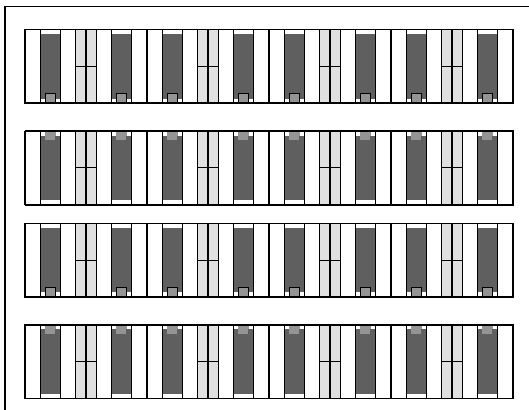
EURO - HEAD TO HEAD



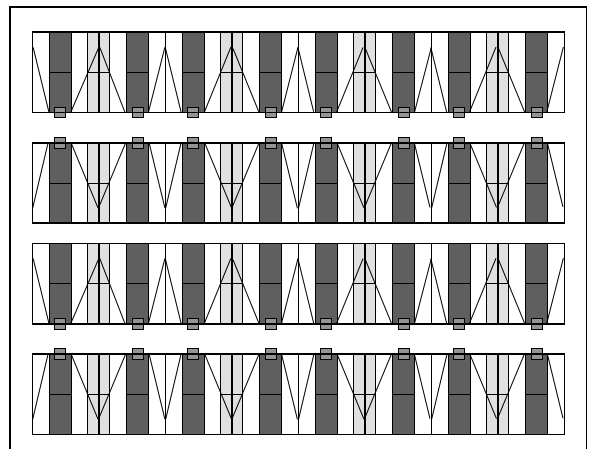
EURO - HEAD TO WALL



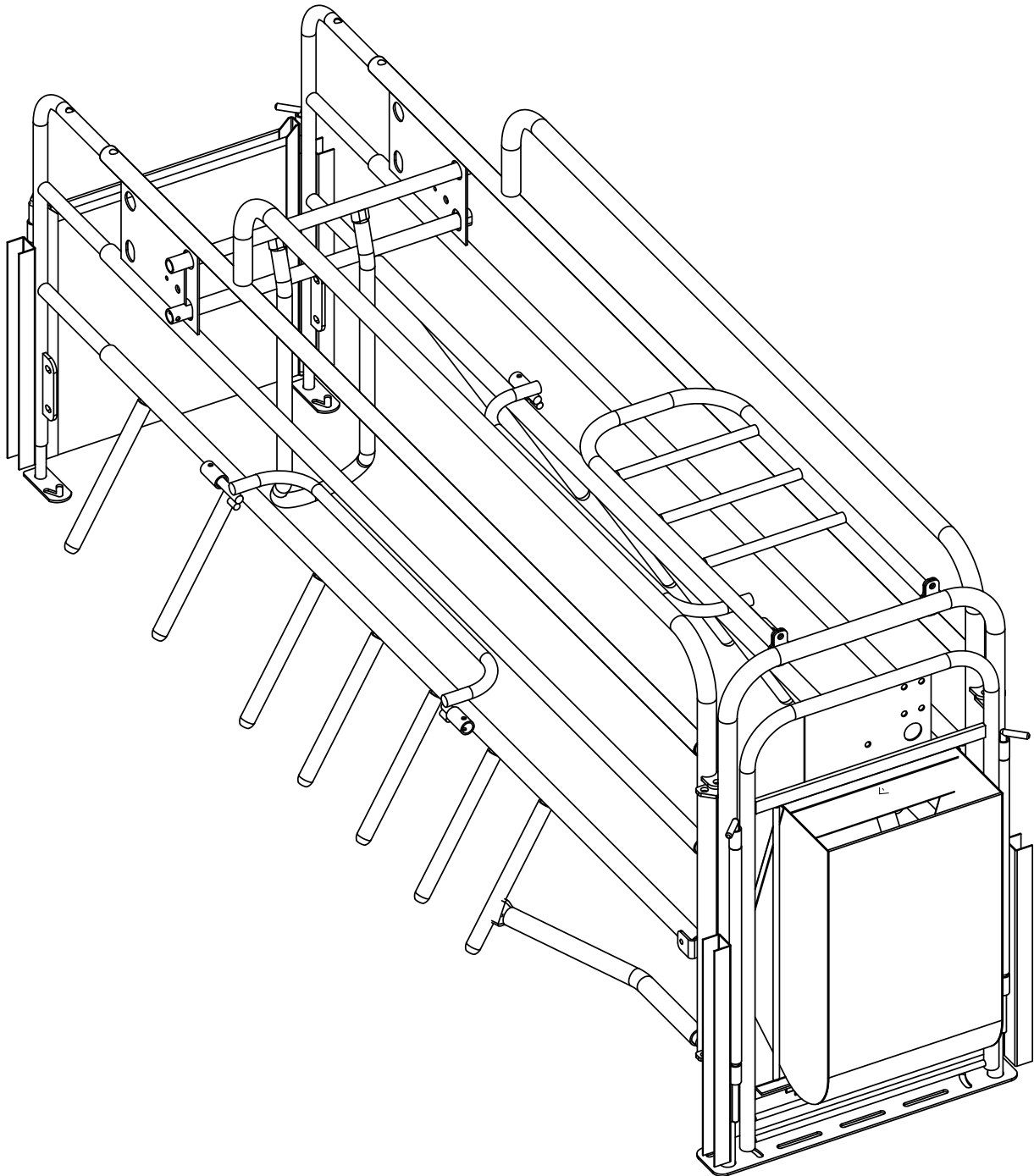
EURO - STAND ALONE



TURN AROUND

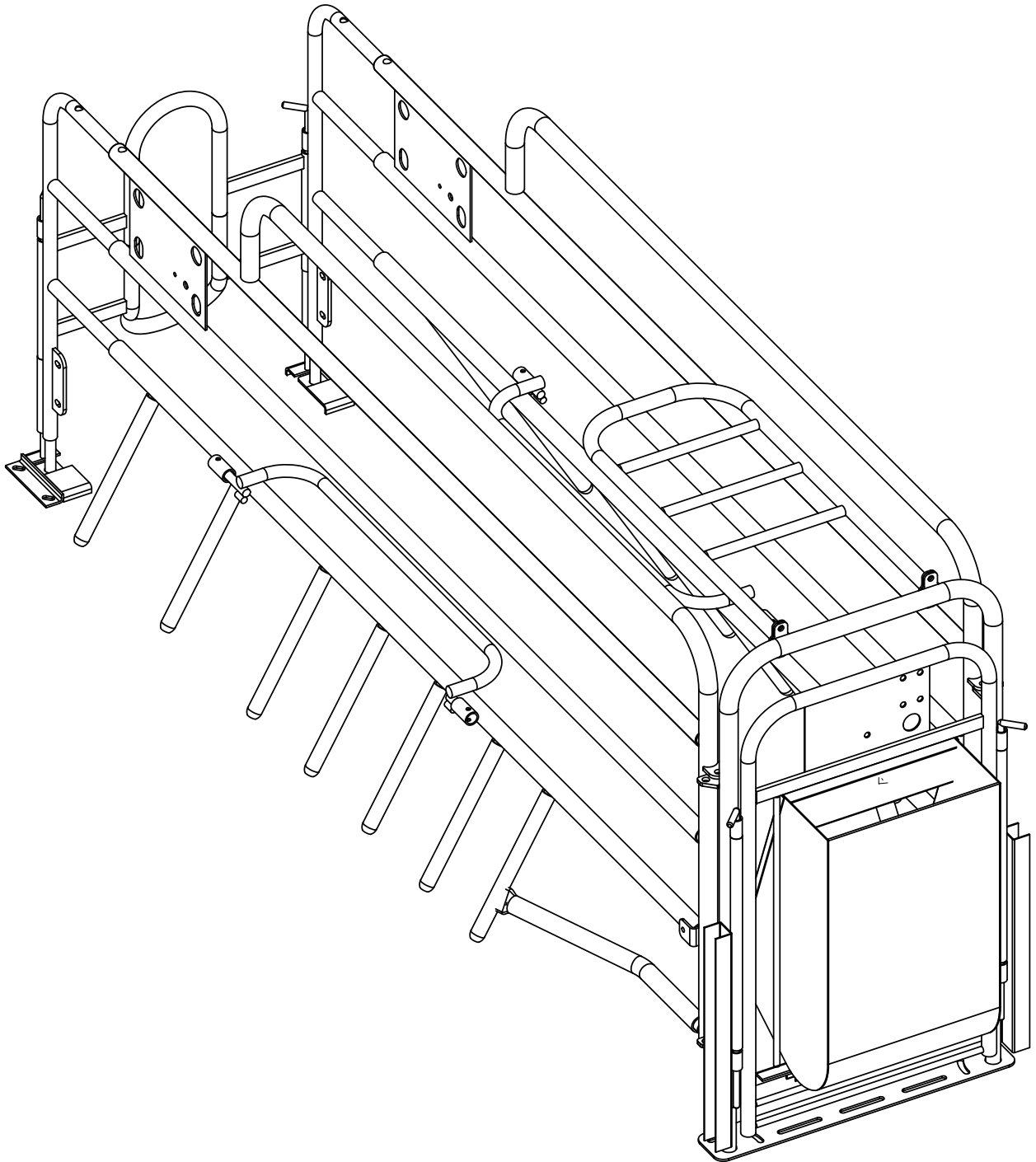


FARROW FLEX - CONVENTIONAL



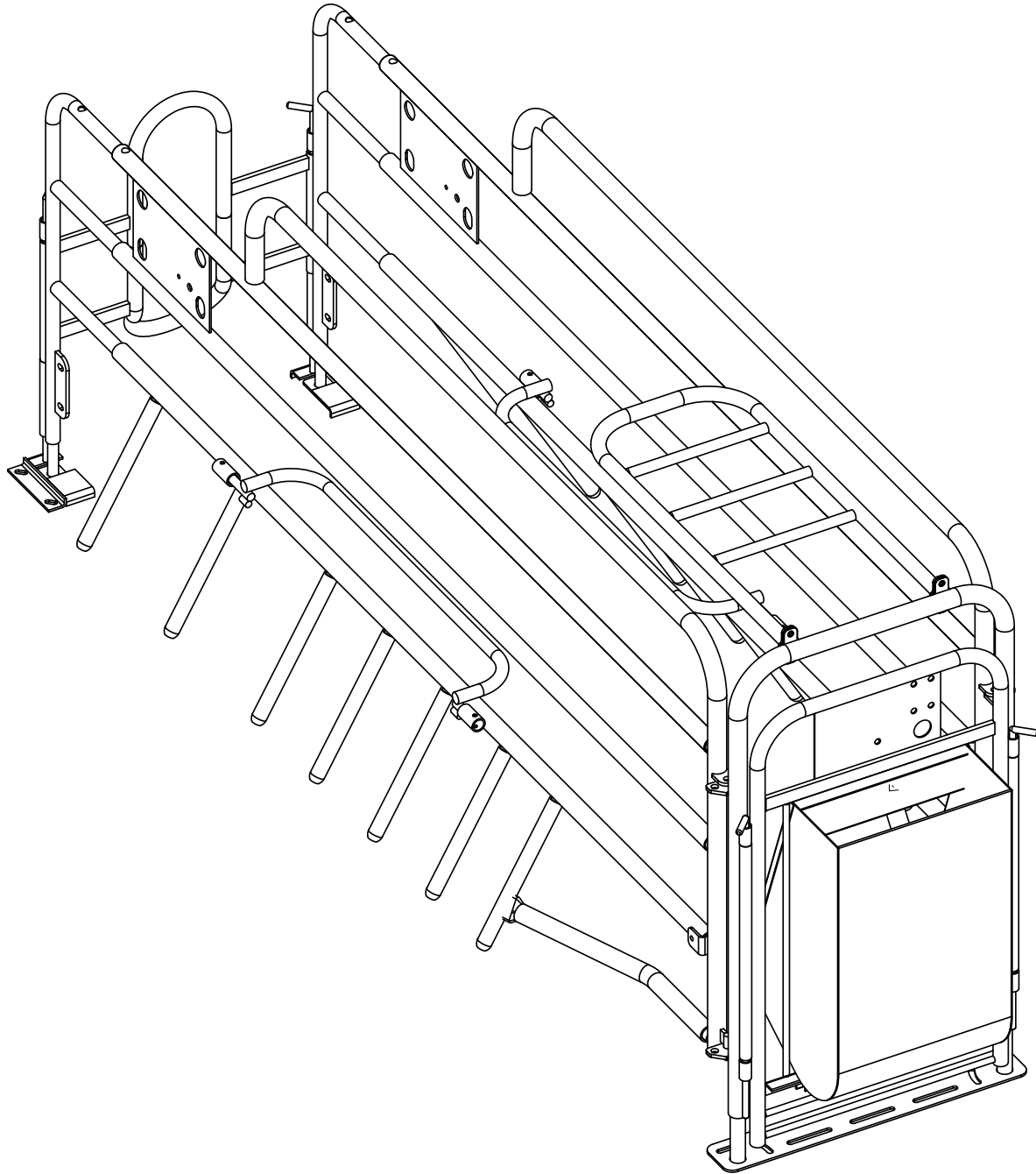
Part Number	Description
	Finger Crate
C-2062301-96	90-96" Farrow Flex Conventional Crate, Finger Crate, C/W Side Mount Bumper
	Bow Bar
C-2062401-96	90-96" Farrow Flex Conventional Crate, Bow Bar, C/W Side Mount Bumper

FARROW FLEX - EURO



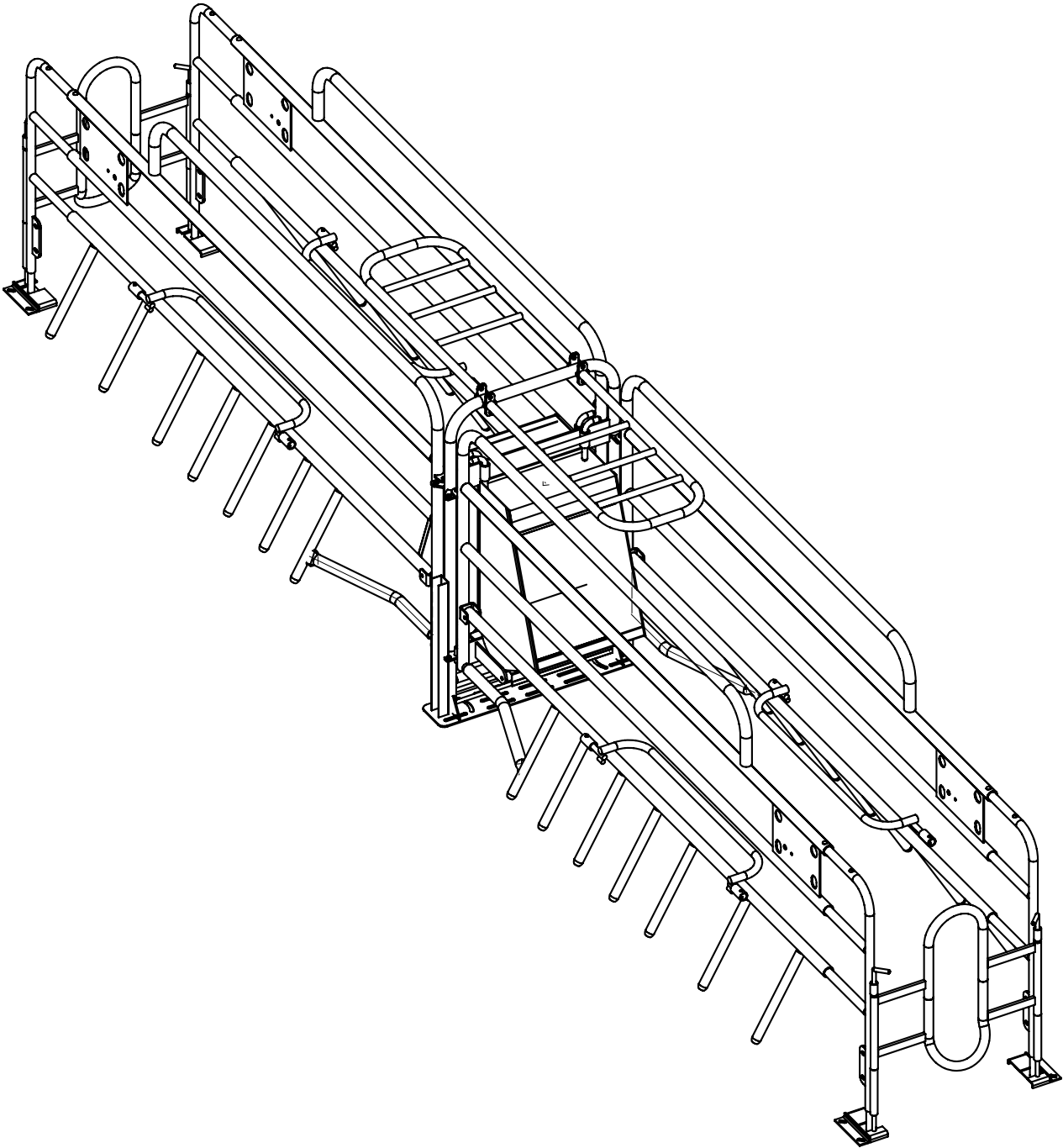
Part Number	Description
	Finger Crate
C-2062302-96	90-96" Farrow Flex Euro Crate, Finger Crate
	Bow Bar
C-2062402-96	90-96" Farrow Flex Euro Crate, Bow Bar

FARROW FLEX - EURO - STAND ALONE



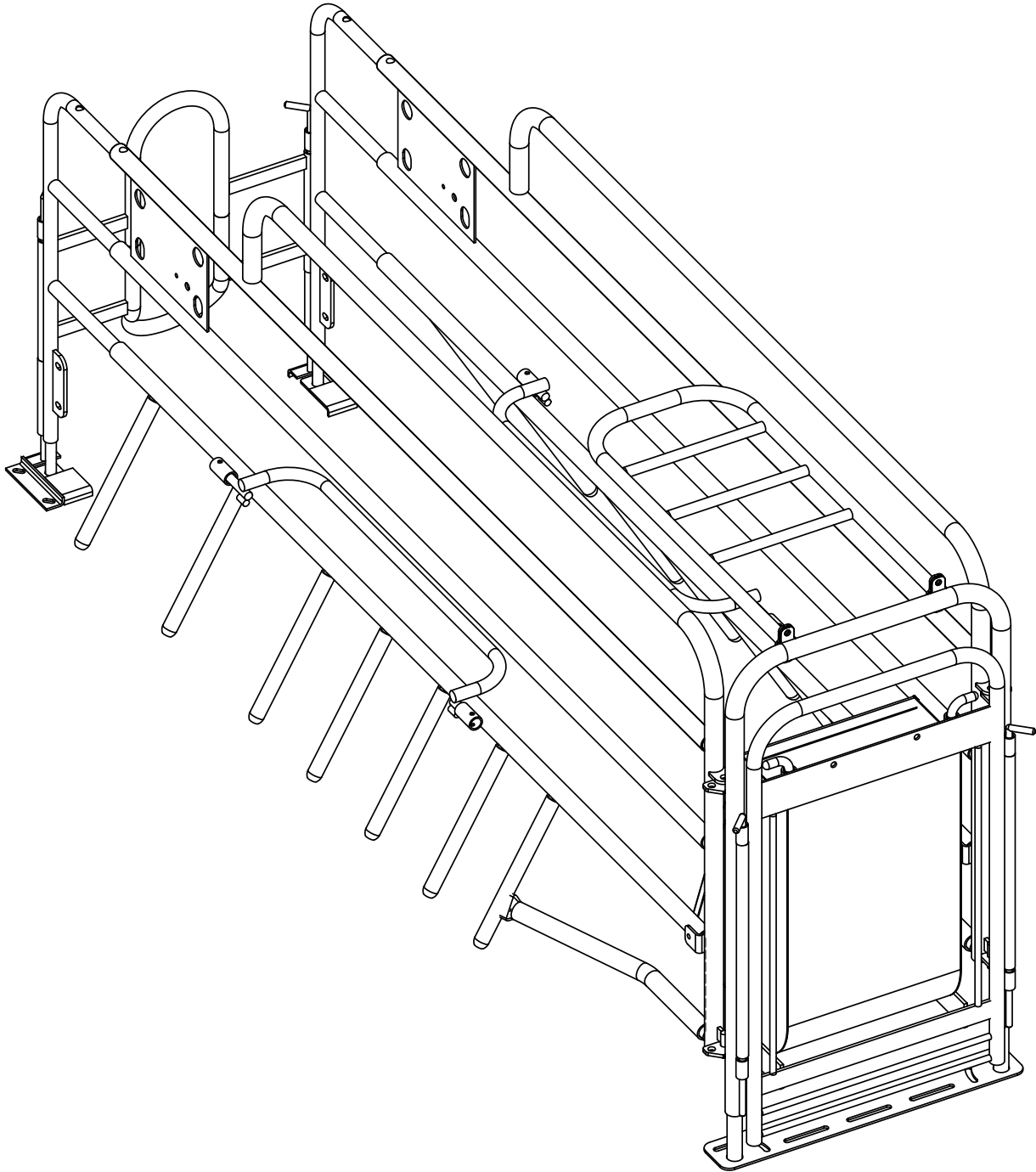
Part Number	Description
	Finger Crate
C-2062302-SA	90-96" Farrow Flex Euro Stand Alone Crate, Finger Crate
	Bow Bar
C-2062402-SA	90-96" Farrow Flex Euro Stand Alone Crate, Bow Bar

FARROW FLEX - EURO - HEAD TO HEAD



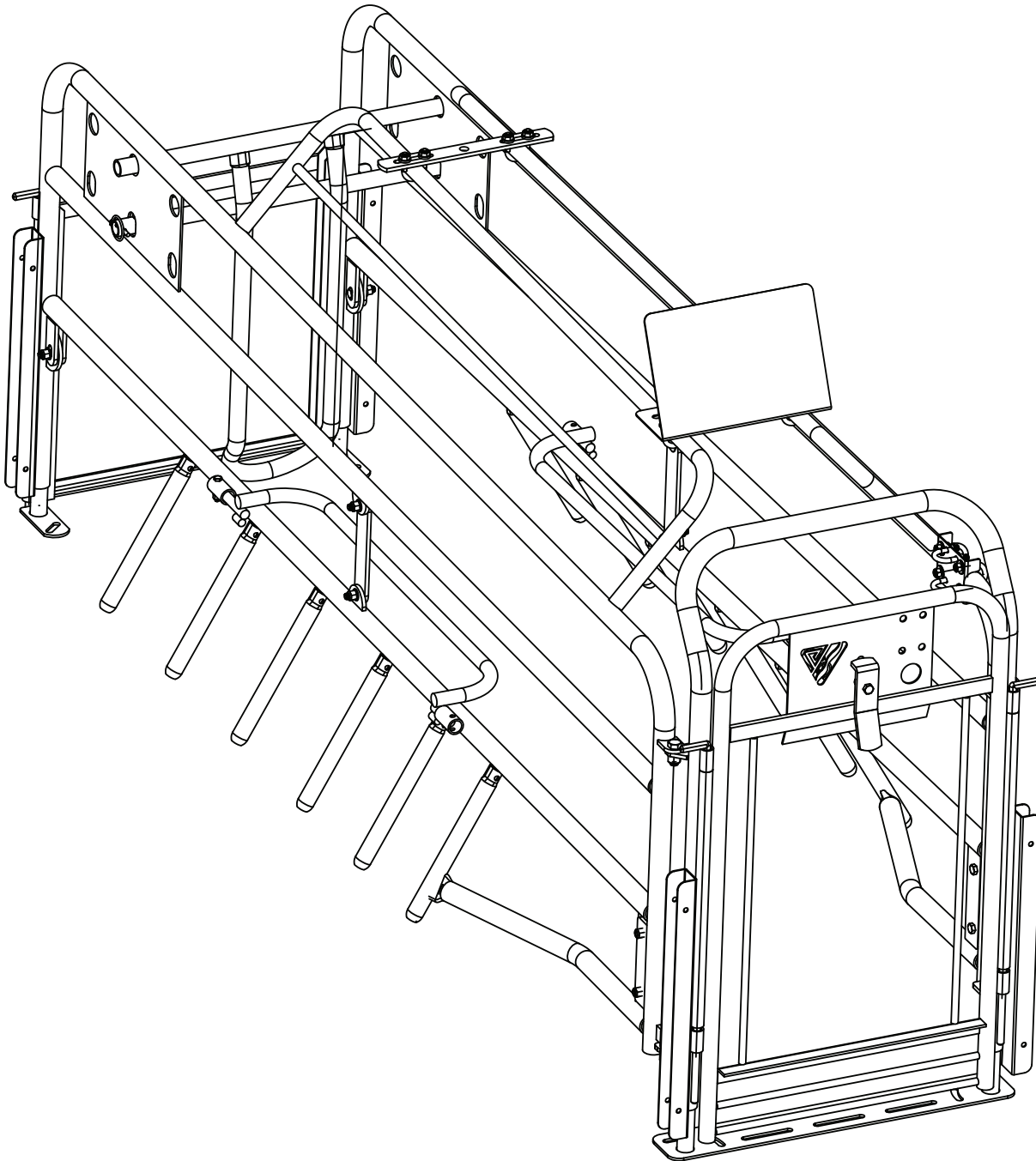
Part Number	Description
	Finger Crate
C-2062302-HH	90-96" Farrow Flex Euro Head to Head Crate, Finger Crate
	Bow Bar
C-2062402-HH	90-96" Farrow Flex Euro Head to Head Crate, Bow Bar

FARROW FLEX - EURO - HEAD TO WALL



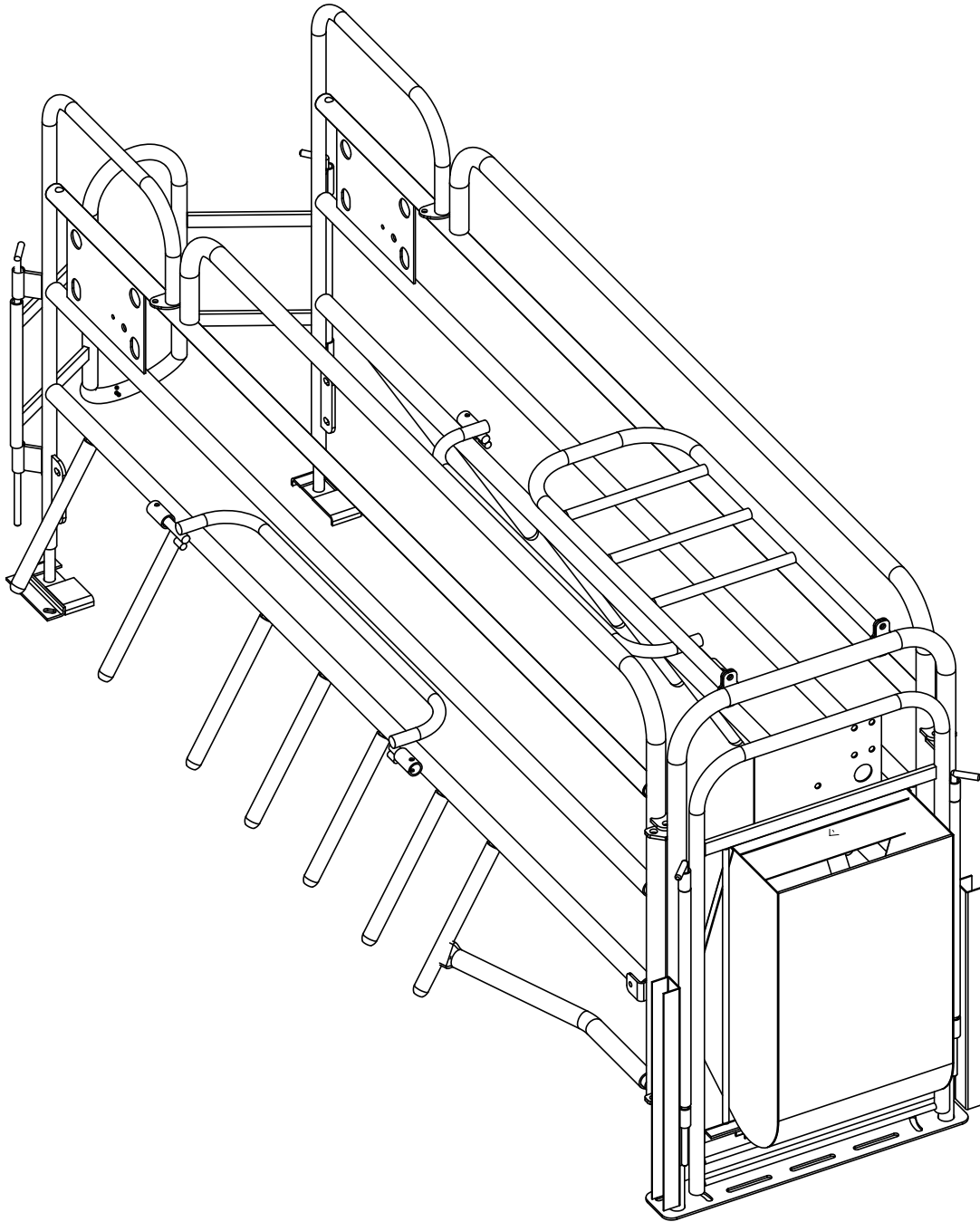
Part Number	Description
	Finger Crate
C-2062302-HW	90-96" Farrow Flex Euro Head to Wall Crate, Finger Crate
	Bow Bar
C-2062402-HW	90-96" Farrow Flex Euro Head to Wall Crate, Bow Bar

FARROW CRATE, 2023, 96"



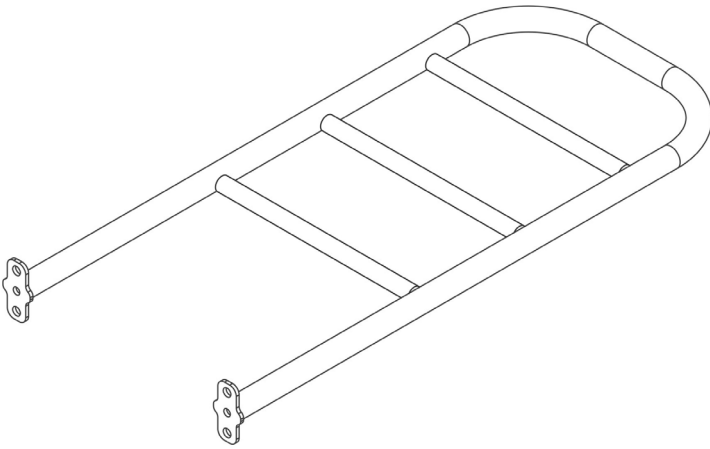
Part Number	Description
2063301-96	Farrow Crate 23, B/O Finger Bar, Angle Top, Side Mount Bumper, No Feeder

FARROW FLEX - TURN AROUND

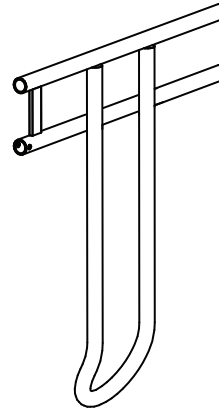


Part Number	Description
	Finger Crate
C-2062306-TA	90-96" Farrow Flex Turn Around Crate, Finger Crate
	Bow Bar
C-2062406-TA	90-96" Farrow Flex Turn Around Crate, Bow Bar

**C-2062309T
FARROW FLEX CRATE TOP**



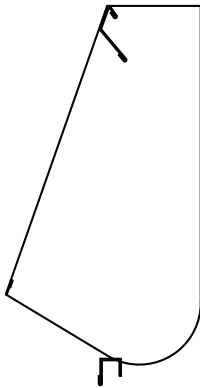
**C-2060630A
SIDE MOUNT BUMPER GATE**



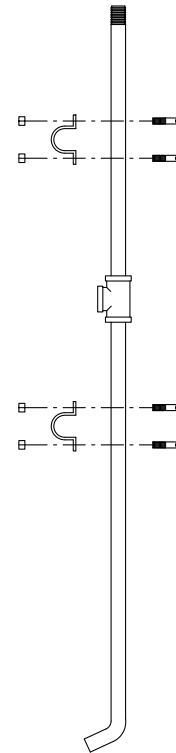
**2060633
LYNCH PIN**



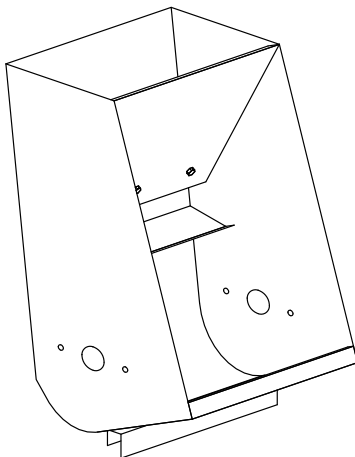
**2060106 - QUICK RELEASE SS FDR. (14 GA)
2060107 - QUICK RELEASE SS FDR. (16 GA)**



**2150130-S
DRINKER PACKAGE**

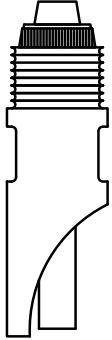


**2060108
QUICK RELEASE SS WET/DRY SHELF FEEDER**

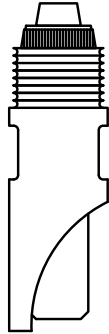


PART #	DESCRIPTION	QTY.
2150134-SS	23" SS PIPE WITH BEND (1/2" THREAD)	1
2150133-SS	16" SS PIPE / THREAD BOTH ENDS	1
2150131-S SS HDW PKG		
2150101-S	SS CLAMP FLANGE	2
2150672	SS 1/2" TEE	1
NUT5/16LSS	SS 5/16" NUT	8
SS20-1A	SS U-BOLT 5/16" N/C 1" I.D. 1.5" LG.	4
2150132-S	SS SHIM 2" X 3"	1

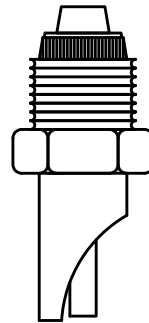
**2160200
SOW NIPPLES
REGULAR**



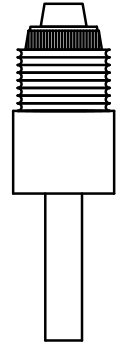
**2160220
HI-FLO DRINKER**



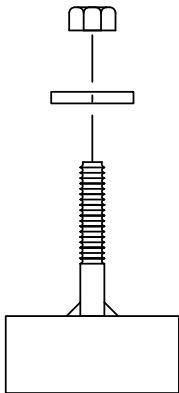
**2150320
PIGLET NIPPLE**



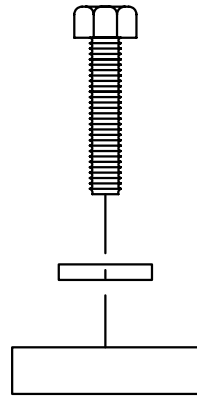
**2150400
NUFLOW**



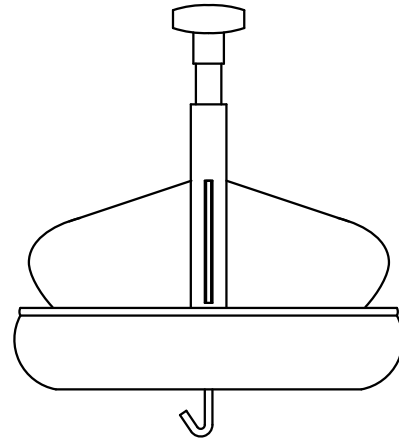
**2100120-20
T-BOLT (TOPLOCK
& V-BAR) (C/W T-BOLT,
NUT & WASHER)**



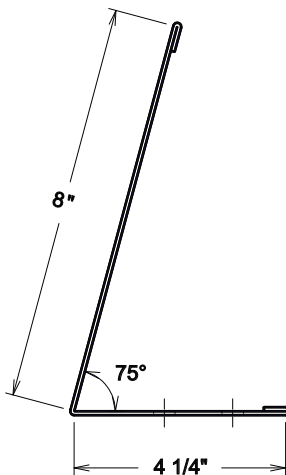
**2099220 - BOLT DOWN
T-BOLT/V-BAR (4 PER
BOX) (C/W BOLT, BLOCK
& WASHER)**



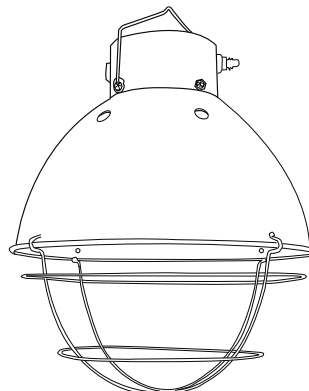
**2060992
PIGLET FEEDER**



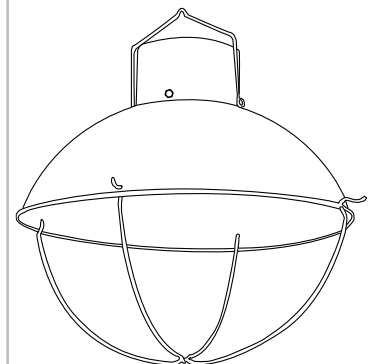
**2060218
CARD HOLDER**



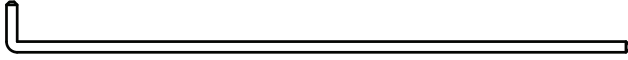
**HEAT LAMP - HLC (NO
SWITCH) & HLC-S**



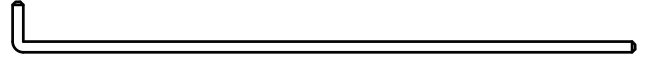
**HEAT LAMP
HLC-P**



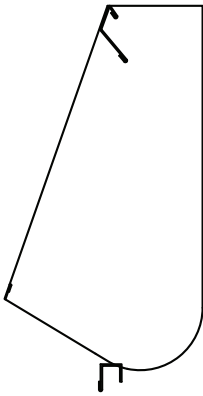
2060637
25" GALV. PIN (FRONT OF CRATE)



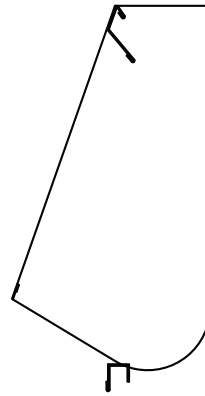
2060634
22" GALV. PIN (REAR OF CRATE)



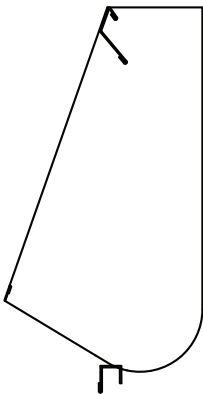
2060106
QUICK RELEASE SS FDR. (14 GA)



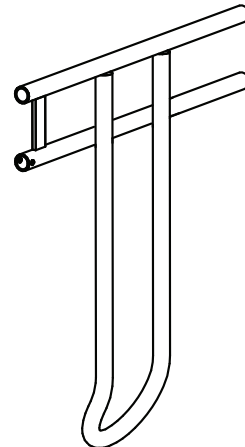
2060107
QUICK RELEASE SS FDR. (16 GA)



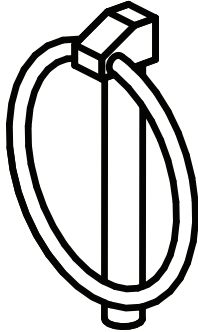
2060108
QUICK RELEASE SS WET/DRY



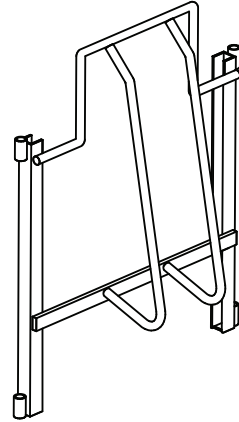
2060630A
SIDE MOUNT BUMPER



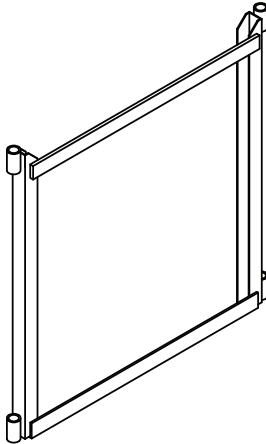
**2060633
LYNCH PIN**



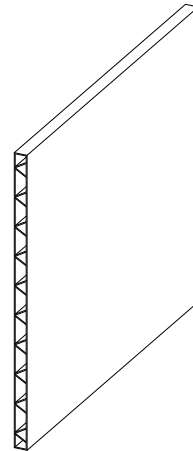
**2060530 - #98 SWING BACK GATE + BUMPER
NEEDS 1 PIECE PLASTIC
#2060395-240 CUT TO 20" LENGTH**



**2061230 - SWING BACK GATE (20" PL)
NEEDS 1 PIECE PLASTIC #2060395-240
CUT TO 20" LENGTH**



**2060395-240
7/8" X 20" CREEP PLANK, FLAT TOP**



**2060395-288
7/8" X 20" CREEP PLANK, FLAT TOP**

