

101110E-10
T-CLAMP 1 1/4" X 1 1/4" (BOX OF 10)



101165-10
2 PC. X-OVER CLAMP - 1 5/8" (BOX OF 10)



101166-10
X-OVER CLAMP - 1 5/8" X 2 3/8" (BOX 10)



101167-10
X-OVER CLAMP - 2 3/8" (BOX OF 10)



101160X-10
1 PC. X-OVER CLAMP - 1 5/8" (BOX OF 10)



101190U-10
2-BOLT HEADRAIL CLAMP (BOX OF 10)



101195U-10
1 BOLT HEADRAIL CLAMP (BOX OF 10)



1011540-10
X-OVER 3.5" X 2 3/8" BX/10



2070994-20
X-OVER 7/8" X 1 1/16" OD (BOX OF 20)



101169-10 - HD X-OVER (U-BOLT)
2 3/8" X 1 5/8" (BOX OF 10)



101179-10 - DIAMOND HEAD RAIL CLAMP
6 1/2" SQ. PL. + U-BOLTS



MISCELLANEOUS U-BOLTS



*****NOTE: U-Bolts now all stainless steel.*****

CL-90240043
2 3/8" X 1 5/8" ONE BOLT T-CLAMP



CL-90240063
2 3/8" X 2 3/8" ONE BOLT T-CLAMP



CL-90240023
1 5/8" X 1 5/8" ONE BOLT T-CLAMP



CL-90360013
1 5/8" X 1 5/8" THREE BOLT T-CLAMP



CL-90020053
1 5/8" X 1 5/8" CORNER CLAMP

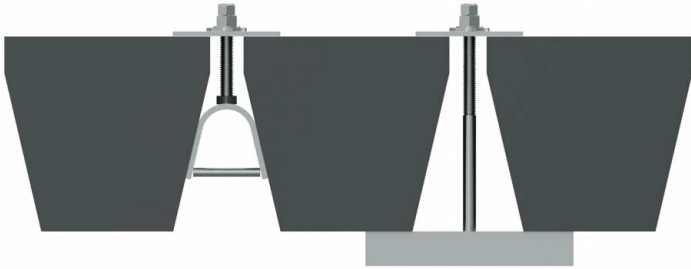


CL-90070043
1 5/8" 4-WAY CLAMP



WEDGE OR T-BOLT (CONCRETE)

2100125-20 - WIDE WEDGE BOLT (BOX OF 20)
2100121-20 - 7 1/4" LG. T-BOLT (BOX OF 20)

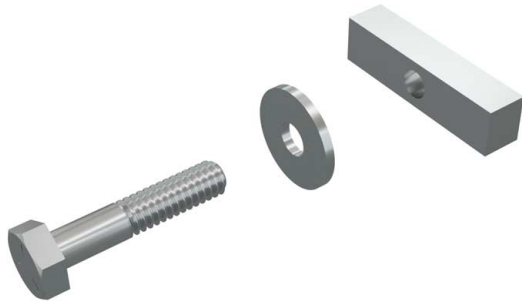


2100225-20
NARROW WEDGE BOLT (BOX OF 20)



T-BOLTS

2099220
PKG OF 4 T-BOLTS (BLOCK & WASHER)



1/4" x 1 1/4" S.S. BOLT

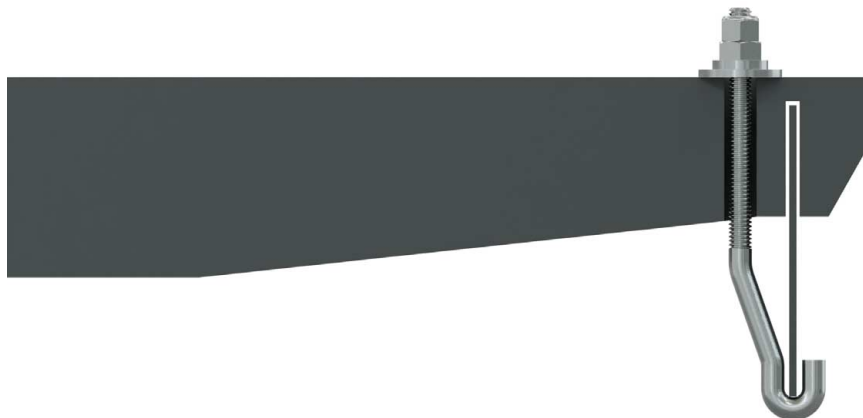
2100120-20
T-BOLT 2" LG. (BOX OF 20)



5/16" S.S.
THREADED
ROD

TOPLOCK J-BOLTS

2100135-20
J-BOLT 5 1/4" LG. (BOX OF 20)



3" & 3 1/2"
RAILS