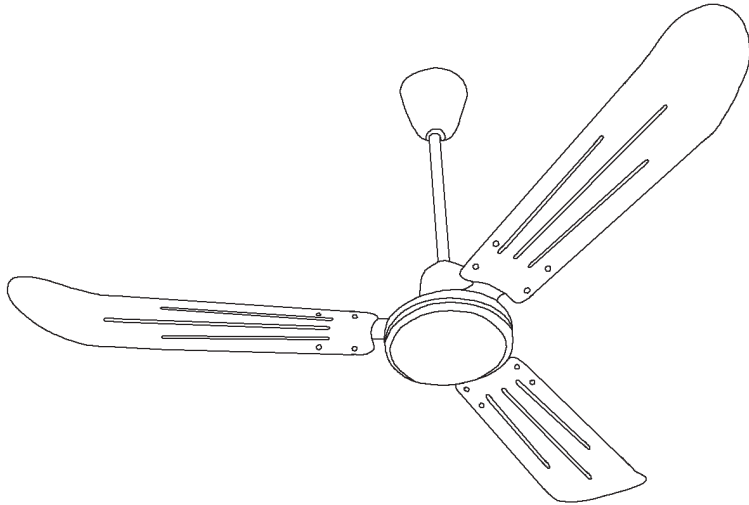




AGRICULTURAL & INDUSTRIAL CEILING FANS

• INSTALLATION INSTRUCTIONS •



MODELS

CP48HPWP, CP56HPWP,
CP60HPWP, CP36, CP48, CP56BR, CP56F&R,
CP56S, CP56C&P

READ AND SAVE THESE INSTRUCTIONS

Note to Installer: You are obligated to pass these instructions on to building maintenance or location Supervisor.



M0090 - 03/16/11

• WARNING •

1. Be sure to shut off electrical supply at circuit breaker before installation. This installation is to be in accordance with local and national electrical codes.
2. To reduce the risk of personal injury, **DO NOT** bend the blade brackets when installing or cleaning the fan. Also, **DO NOT** insert foreign objects in between rotating blades.
3. Any field alteration or changed downrods **“WARRANTY VOIDS”** any hanging mechanism warranty or liability.

• CAUTION •

1. Installation work and electrical wiring must be done in accordance with NEC (NFPA 70) and all applicable local codes and standards including fire rated constructions and **must be done by a qualified electrician.**
2. Remove fan from the carton carefully and check for shipping damage. Check blades for bends and dents. In case assistance is required please contact our service centre.
3. Check that the supply voltage corresponds to the rated voltage on motor of fan you have selected.
4. Do not install the fan close to the door entrance. Ensure at least 3 feet distance from end of the blades.
5. Ensure that you have a water proof model if installing in a wet/damp location.
6. Fan blades must be at a minimum of 10 feet from the floor when the fan is installed.
7. Make sure hanger hook is mounted securely to the structural ceiling.
8. Fan is suitable for operation on Solid State controls.
9. The fan shall not directly be supported by the outlet box.
10. All set screws must be checked and re-tightened where necessary after installation. No lubricants should be used on screws or hooks.
11. To reduce the risk of personal injury install the safety cable (per Fig. 1).
12. **DO NOT** attach blades before hanging the fan.

• HANGING & ASSEMBLY •

1. Using Machine Threaded Hooks for Steel Frame Ceiling (Fig. 1)
 - Put the threaded J-Hook through junction box, winding nut to bottom of thread.
 - Insert the hook with the box through slit in bottom of open web steel joists.
 - Put large washer, lock washer and nut on the hook loosely.
 - Secure spark plate onto junction box. Feed power wires through spark plate for ease of wiring. (Spark plate is not needed for fan with a cord and plug.)
 - Hang the fan on the J-hook.
 - Tighten the top lock washer and nut until secure.
 - Install the Eye Bolt onto the steel frame ceiling beside the junction box.
2. Insert the safety cable into the Eye Bolt through the slit and then close the Eye Bolt loop. **NOTE: Knot in safety cable is there for extra strength. DO NOT UNDO KNOT.**
3. Connect the lead wires to the power supply, (shown in Fig. 3).
FOR CORD & PLUG FANS:
Simply insert the plug into the receptacle at the ceiling.
FOR FORWARD/REVERSE MODELS:
Downdraft Direction:
Connect blue and black wires of fan to “hot” wire, red and white wires to neutral wire and green wire to ground wire.
Updraft Direction:
Connect red and black wires of fan to “hot” wire, blue and white wires to neutral wire and green wire to ground wire.
NOTE: Wiring connections should be turned upward and pushed carefully up into the outlet box.
4. Slide up the upper canopy and affix it with the set screws. Leave a minimum of 1/8” between ceiling and canopy.
5. Mount the fan blades onto the motor head with screws and spring washers (see Fig. 2 for details).
NOTE: If wiring for updraft only: blades can be reversed for increased fan performance.
6. Tighten set screws on upper and lower canopies.

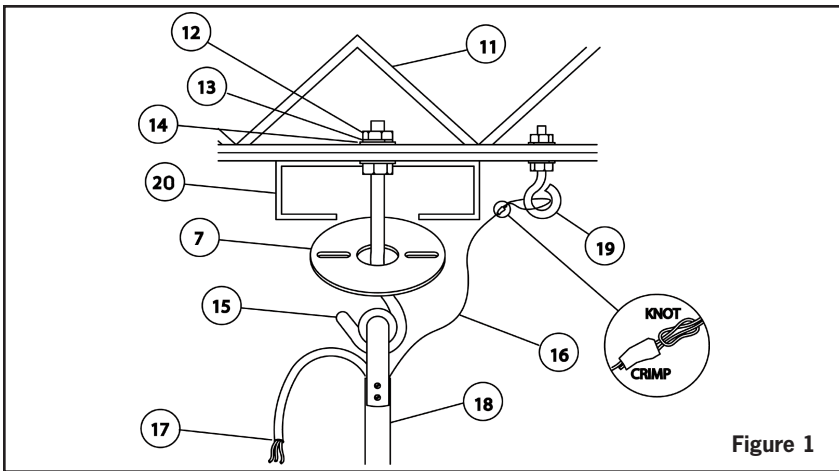


Figure 1

Reference Numbers:

- | | |
|-------------------------------------|---------------------------------|
| 1. Upper Canopy | 11. Steel Frame Ceiling |
| 2. Set Screw | 12. J-Hook Nut |
| 3. Blade Mounting Screw | 13. Spring Washer |
| 4. Blade Bracket | 14. Washer |
| 5. Fan Blade | 15. Threaded J-Hook |
| 6. Vibration Absorber | 16. Safety Cable |
| 7. Spark Plate (NA for Cord & Plug) | 17. Lead Wires (or Cord & Plug) |
| 8. Lower Canopy | 18. Downrod |
| 9. Blade Mounting Spring Washer | 19. Eye Bolt |
| 10. Motor Head | 20. Junction Box (Not provided) |

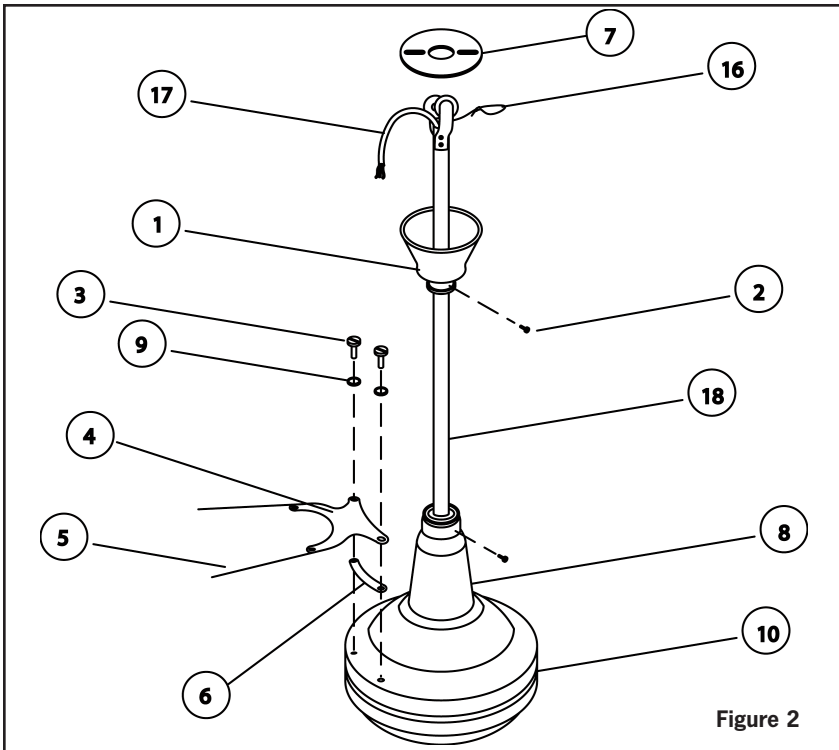
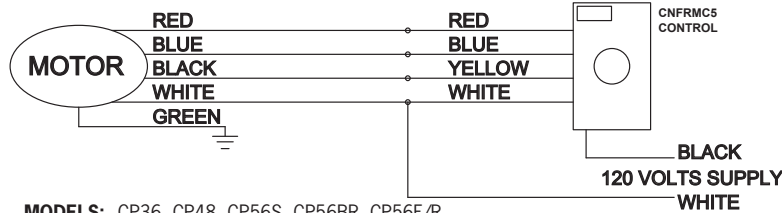


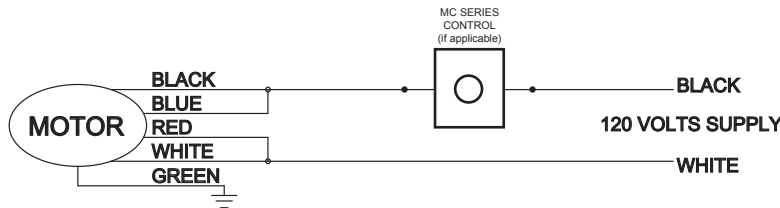
Figure 2

**Both Updraft & Downdraft
Using Canarm CNFRMC5 Control**



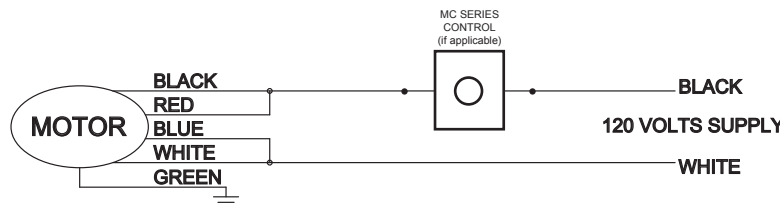
MODELS: CP36, CP48, CP56S, CP56BR, CP56F/R
HIGH PERFORMANCE MODELS: CP48, 56, 60 HPWP

Downdraft



MODELS: CP36, CP48, CP56S, CP56BR, CP56F/R
HIGH PERFORMANCE MODELS: CP48, 56, 60 HPWP

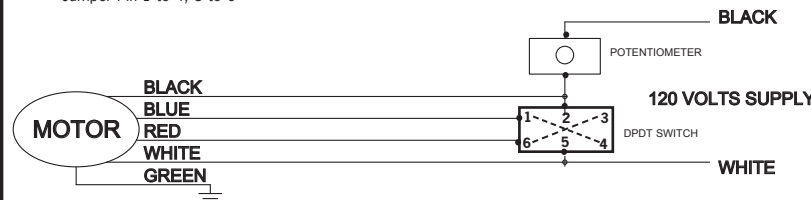
Updraft



MODELS: CP36, CP48, CP56S, CP56BR, CP56F/R
HIGH PERFORMANCE MODELS: CP48, 56, 60 HPWP

**Both Updraft & Downdraft
Using Canarm MC Series Control and DPDT Switch
(Supplied by others)**

Note: On the Double Pole, Double Throw Switch,
Jumper Pin 1 to 4, 3 to 6



MODELS: CP36, CP48, CP56S, CP56BR, CP56F/R
HIGH PERFORMANCE MODELS: CP48, 56, 60 HPWP

Figure 3

• TROUBLESHOOTING •

Trouble:

Suggestion:

- | | |
|------------------------|---|
| 1. Fan will not start. | - Check fuses and circuit breakers |
| | - Check wiring connections to fan. |
| | - Check wiring connections in lower canopy. |

Caution: Turn power off for last two items.

- | | |
|----------------------|--|
| 2. Fan sounds noisy. | - Check to make sure all screws in motor are snug. |
| | - Check to make sure that all blade bracket screws are tight. |
| | - Some motors are sensitive to signals from solid state variable controls. If this type of control is used some electrical noise from the motor is normal and will not affect performance. |
| | - For quiet operation use Canarm's models CQ004 "Church Quiet" controls. |
| | - Allow a 24 hour break in period to eliminate most noises. |
| 3. Fan wobbles. | - Check that all blades are screwed firmly to motor. |
| | - Check distance from tip of blades to ceiling, gently bend up or down until all distances are the same. |
| | - Make sure upper canopy is 1/8" from ceiling. |
| | - Make sure that hanging hooks are secured tightly to ceiling. |

